



IPL, CS 340, CS 380, 966631401, 966631402, 966631403, 966631404, 966631405, 966631501, 966631502, 966631503, 966631504, 966631505, 966631506, 966631507, 966631508, 966631509, 966631510, 967027401, 967027501, 967326201, 967326203, 967326204, 967326301, 967326303, 967326304, 967326307, 967326309, 2014-10

CS 340

CS 380

Spare parts

Ersatzteile

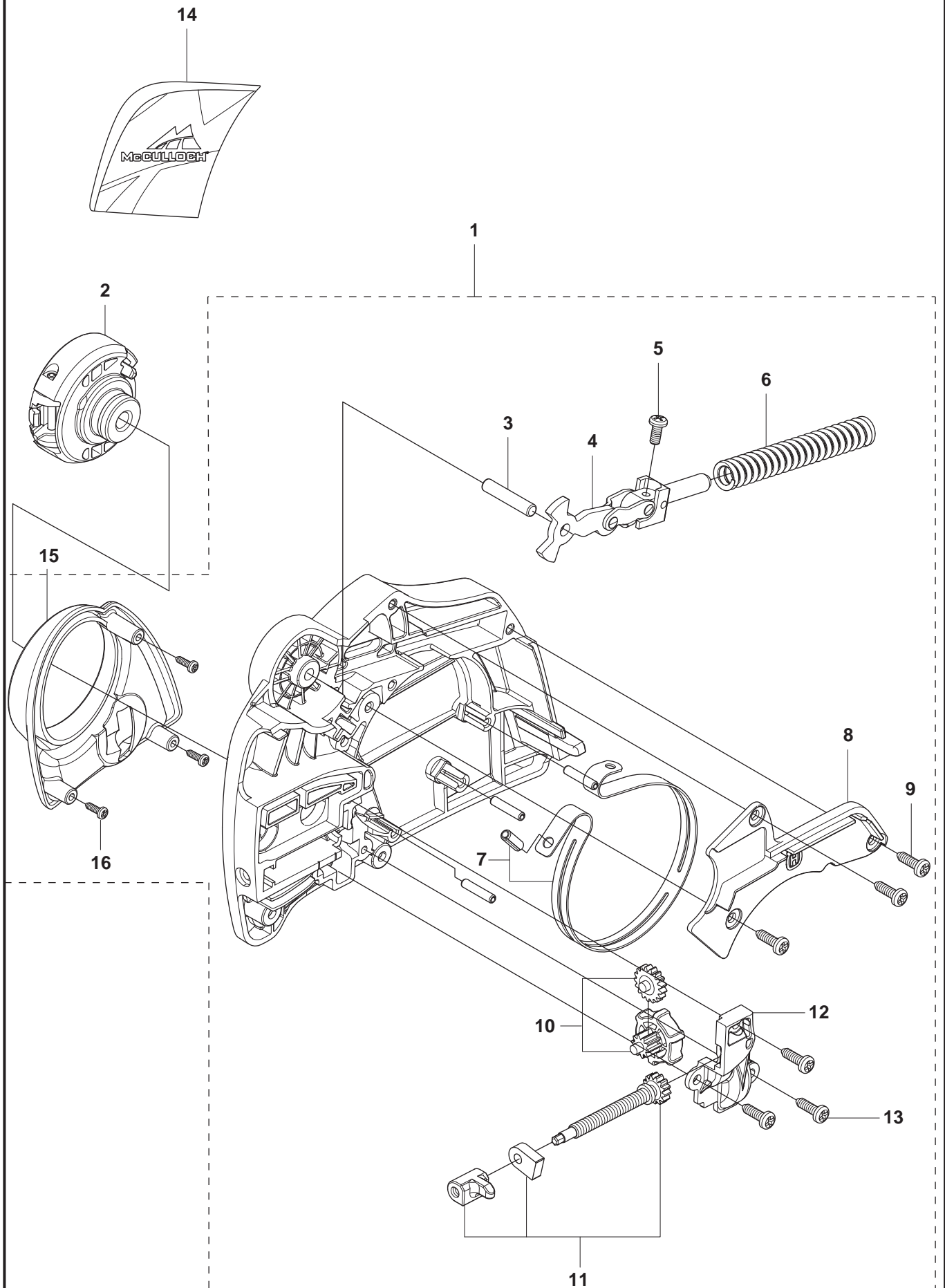
Pièces détachées

Reserve onderdelen

Repuestos

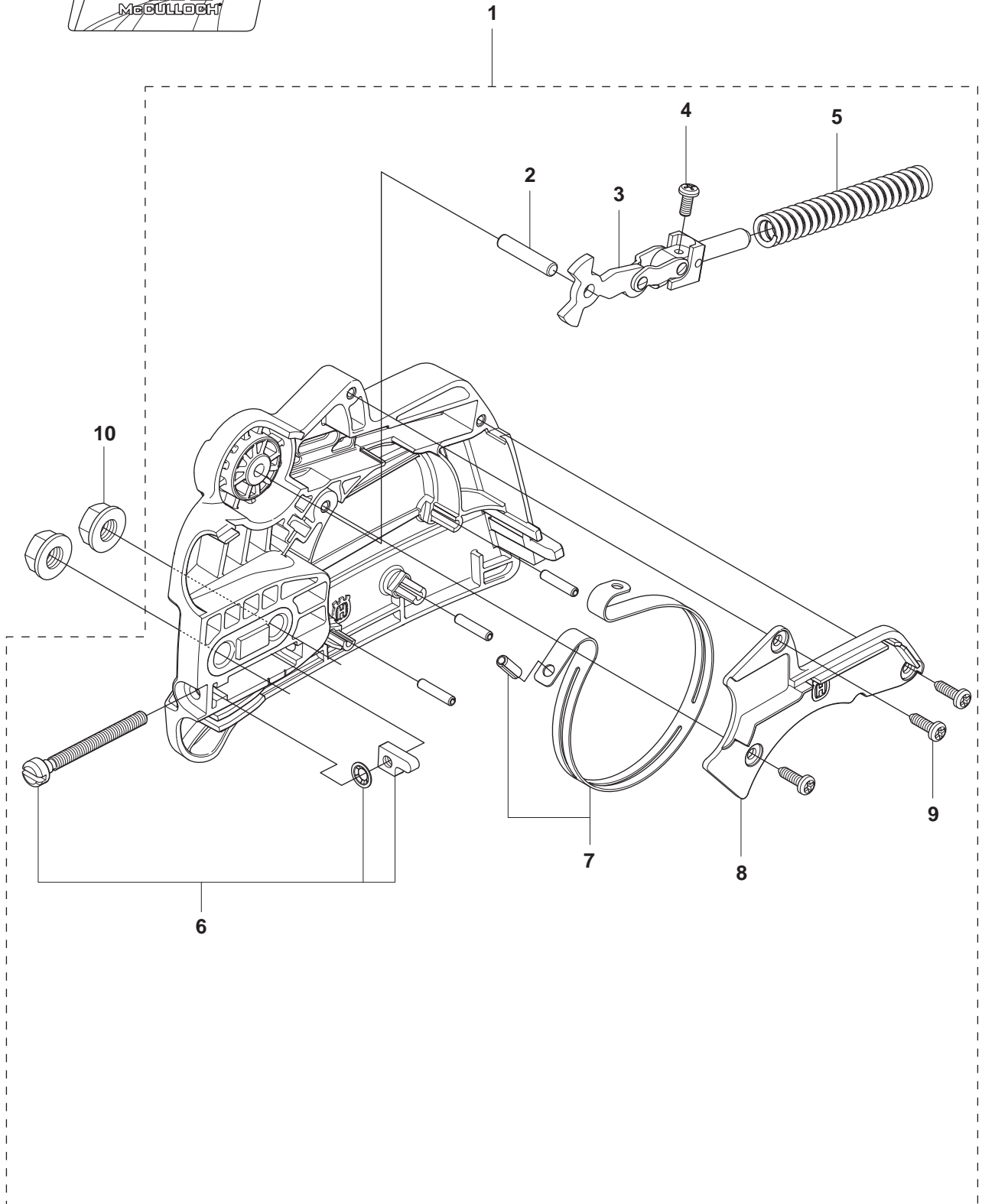
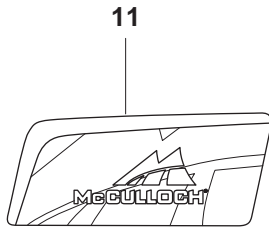
Reservdelar

A1 CS380 CHAIN BRAKE & CLUTCH COVER



Position	Article	Quantity	Description	Kit
1	576 44 93-01	1	KIT, CHAIN BRAKE ASSEMBLY	
2	579 10 73-01	1	ASSEMBLY KNOB EZT	
3	530 05 79-50	1	PIN, DOWEL	1
4	530 05 79-40	1	ASSY, FRONT LINK	1
5	574 78 03-01	1	M3.63 X 1.34 X 8 TORX	1
6	530 01 64-15	1	SPRING COMPRESSION	1
7	577 83 02-01	1	KIT, BRAKE BAND	1
8	545 07 10-02	1	COVER, BRAKE BAND	1
9	545 22 71-01	3	SCREW 19 X .437 .PL. PAN.	1
10	577 83 03-01	1	KIT, GEARS	1
11	577 83 04-01	1	KIT, BAR ADJUST	1
12	545 05 92-02	1	COVER, GEAR	1
13	545 22 71-01	3	SCREW 19 X .437 .PL. PAN.	1
14	576 80 78-01	1	DECAL, EZT CLUTCH COVER	
15	576 08 23-01	1	HEAT SHIELD	1
16	545 22 71-01	3	SCREW 19 X .437 .PL. PAN.	1

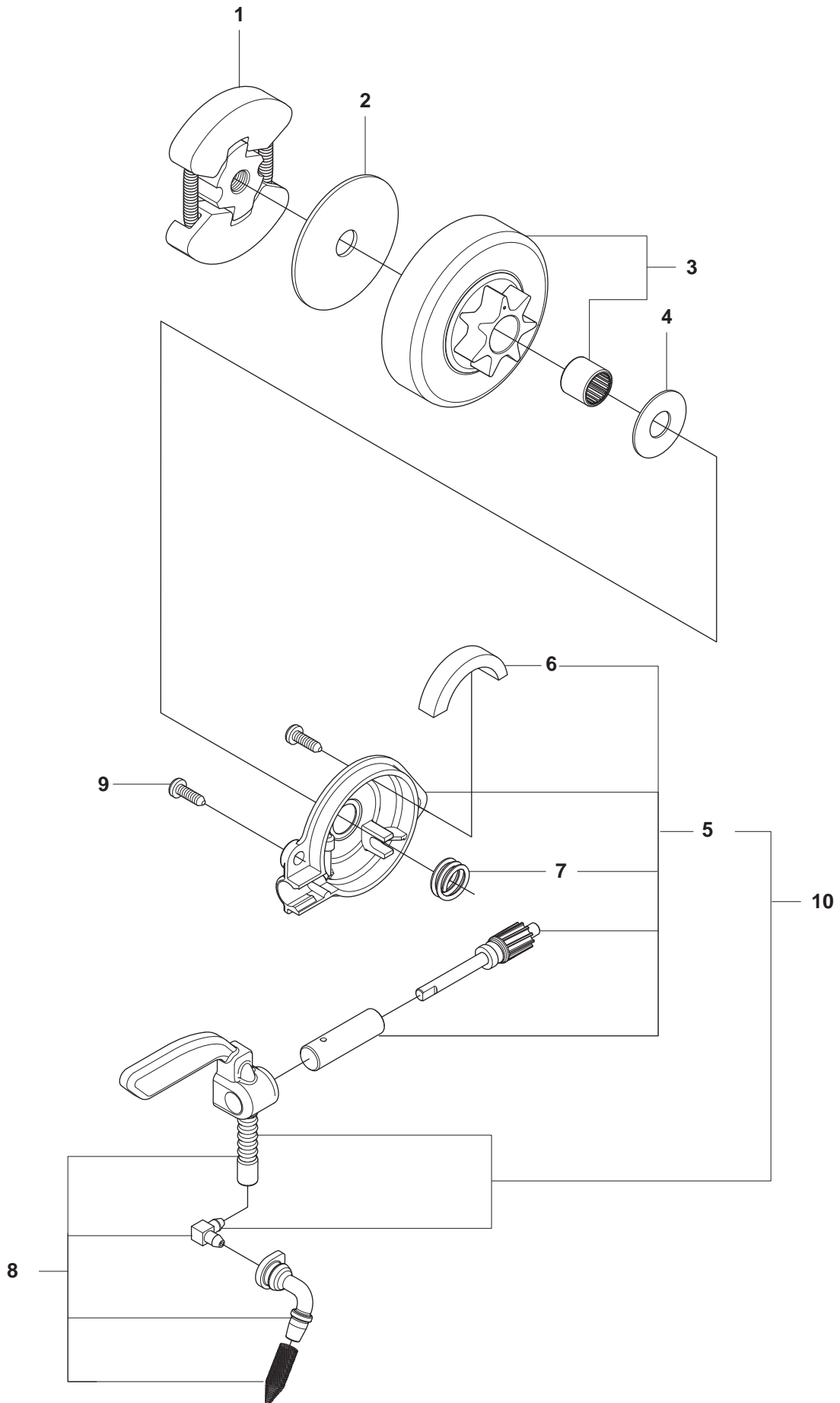
A2 CS340 CHAIN BRAKE & CLUTCH COVER



CHAIN BRAKE & CLUTCH COVER

Position	Article	Quantity	Description	Kit
1	577 80 55-01	1	KIT, CHAIN BRAKE ASS'Y FRT ADJ	
2	530 05 79-50	1	PIN, DOWEL	1
3	530 05 79-40	1	ASSY, FRONT LINK	1
4	574 78 03-01	1	M3.63 X 1.34 X 8 TORX	1
5	530 01 64-15	1	SPRING COMPRESSION	1
6	530 06 96-11	1	KIT, BAR ADJUST	1
7	577 83 02-01	1	KIT, BRAKE BAND	1
8	545 07 10-02	1	COVER, BRAKE BAND	1
9	545 22 71-01	3	SCREW 19 X .437 .PL. PAN.	1
10	530 01 59-17	2	NUT, BAR MTG	
11	577 81 53-01	1	DECAL, CLUTCH COVER	

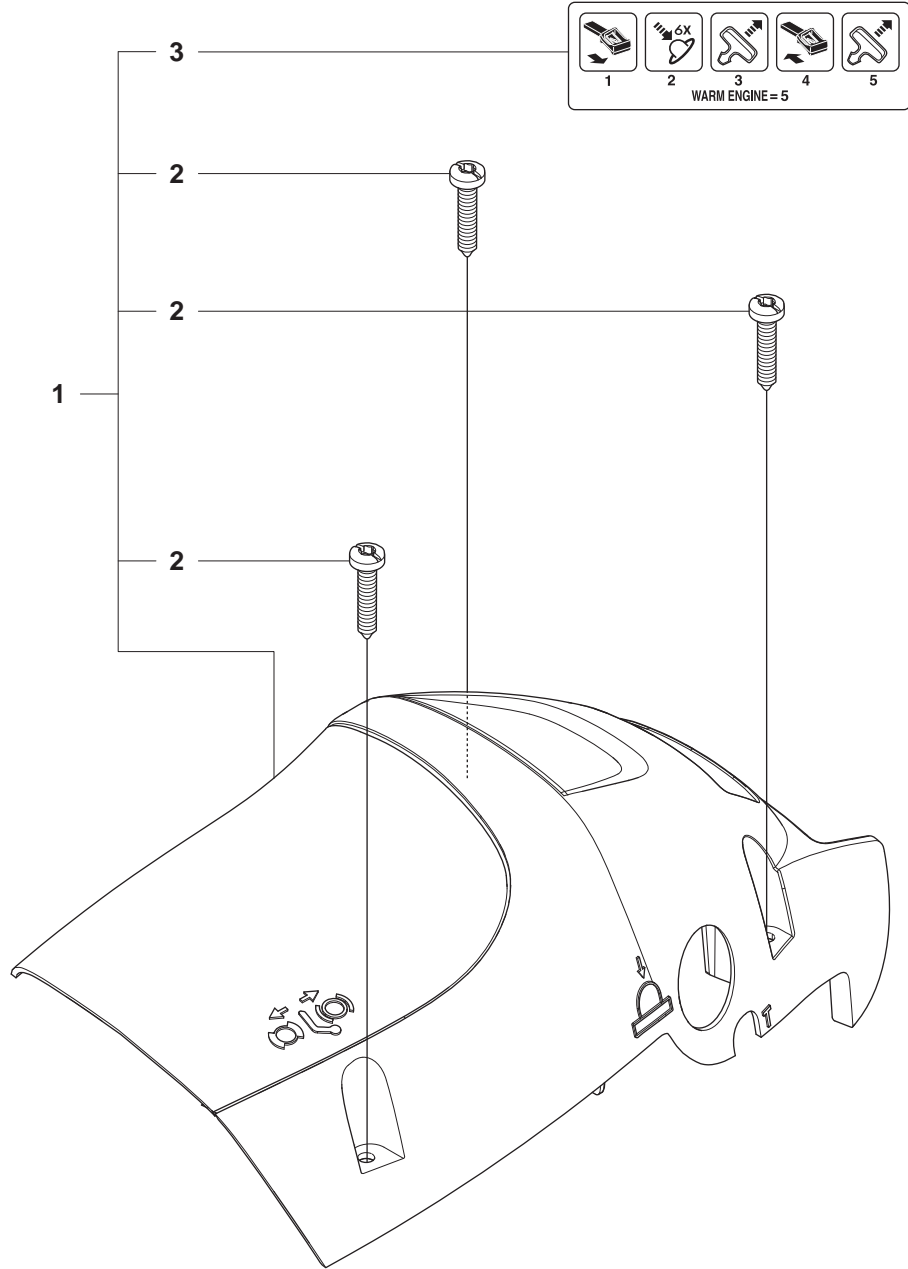
B CS340, CS380
CLUTCH & OIL PUMP



CLUTCH & OIL PUMP

Position	Article	Quantity	Description	Kit
1	530 01 49-49	1	ASSY- CLUTCH	
2	530 01 56-11	1	WASHER, CLUTCH (LARGE)	
3	530 04 70-61	1	3/8-6 TOOTH DRUM ASEMBLY	
4	579 62 15-01	1	WASHER, THRUST	
5	581 06 39-01	1	ASSEMBLY OIL PUMP	
6	525 31 84-01	1	DUST SEAL	5
7	530 03 78-20	1	GEAR- WORM	5
8	577 83 05-01	1	KIT, OIL BLOCK AND PICK UP	
9	530 01 60-64	2	SCREW 19 X .437 .PL. PAN.	
10	581 06 39-01	1	ASSEMBLY OIL PUMP COMPLETE	

C CS340, CS380
CYLINDER COVER



Page C **CS340**
 CS380

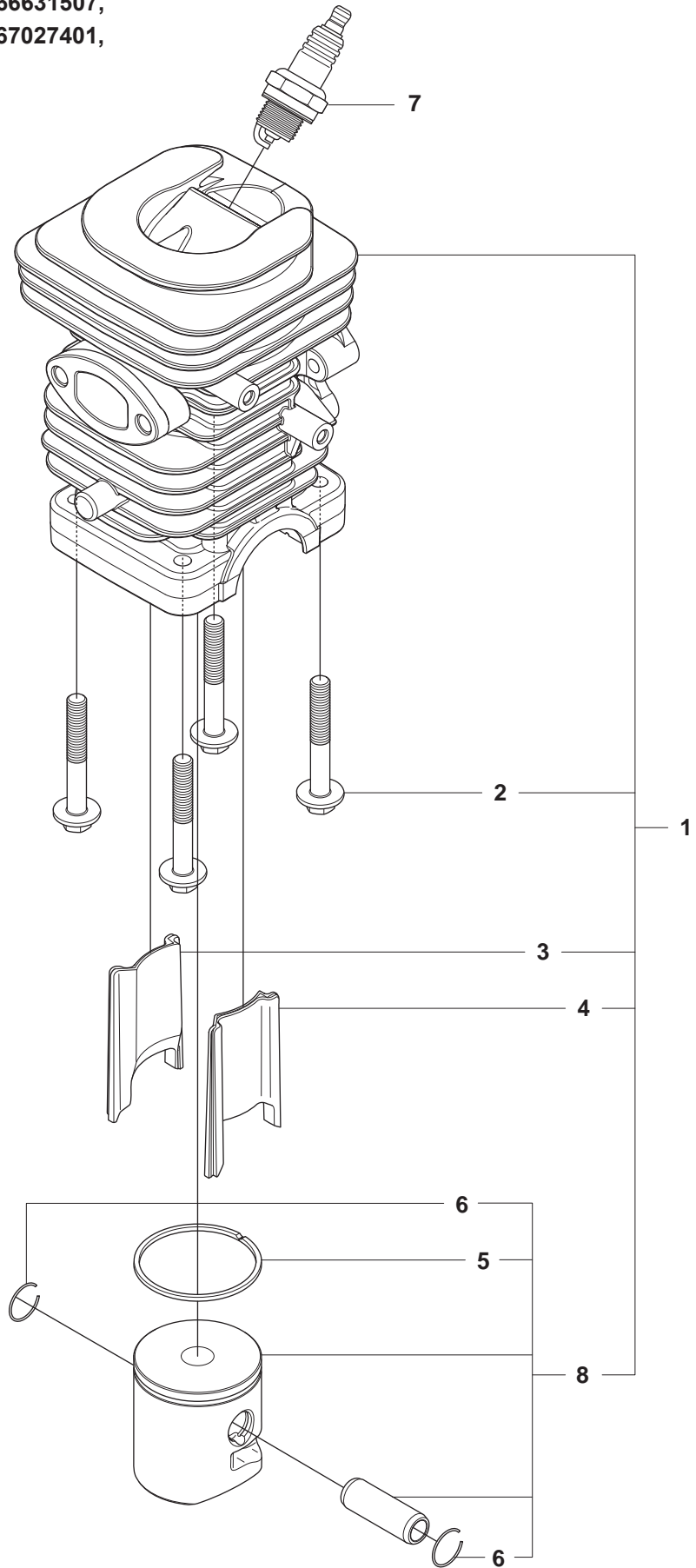
CYLINDER COVER

Position	Article	Quantity	Description	Kit
1	577 83 15-01	1	CS340, KIT CYLINDER SHIELD	
1	577 83 10-01	1	CS380, KIT CYLINDER SHIELD	
2	574 32 06-01	3	SCREW, CYLINDER SHIELD	1
3	576 80 77-01	1	DECAL, STARTING INSTRUCTION	1

D1 CS340, CS380
CYLINDER & PISTON

Type 1 Typ 1 Tipo 1

966631401, 966631402, 966631403, 966631404,
966631405, 966631501, 966631502, 966631503,
966631504, 966631505, 966631506, 966631507,
966631508, 966631509, 966631510, 967027401,
967027501

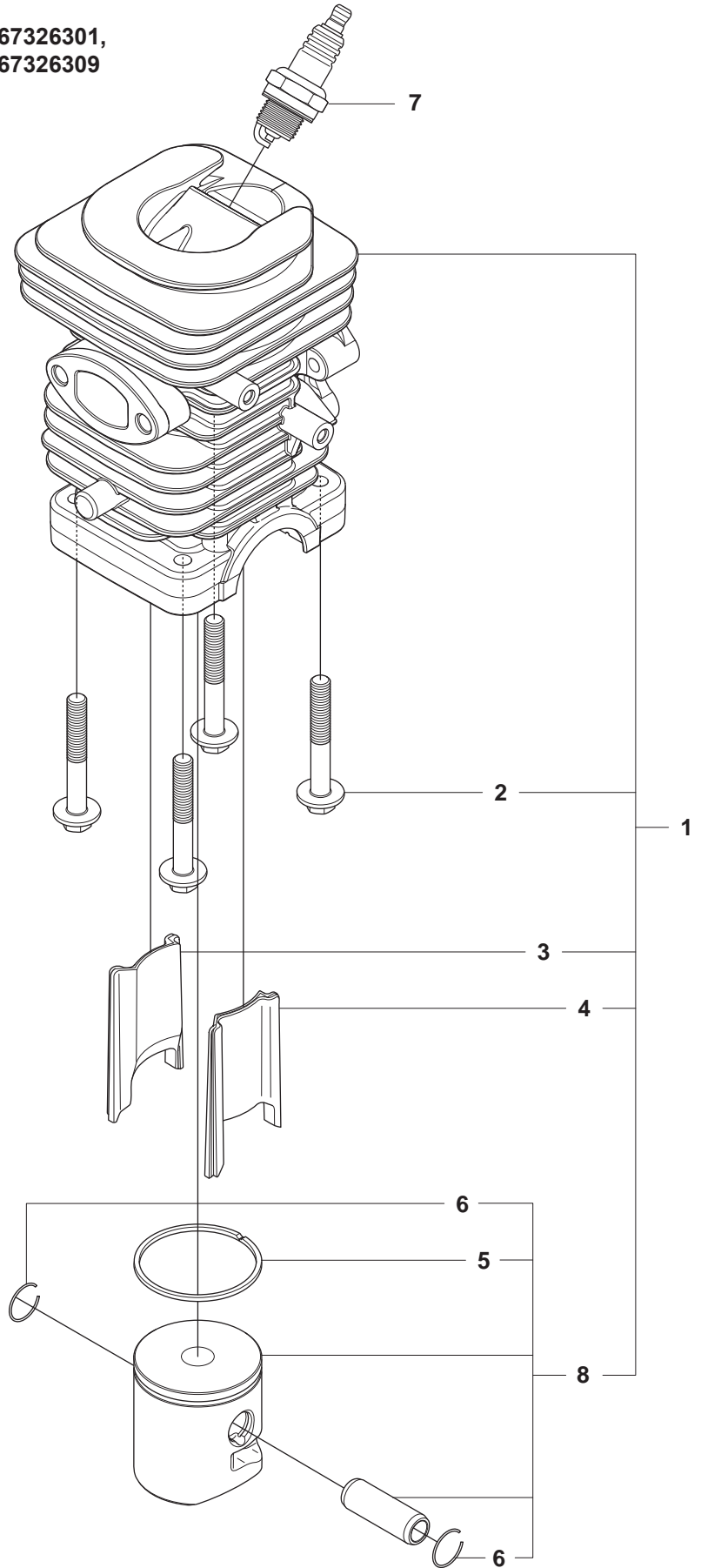


CYLINDER & PISTON

Position	Article	Quantity	Description	Kit
1	577 83 11-01	1	KIT, CYLINDER & PISTON CS340, CS380	
2	545 08 15-01	4	BOLT, CYLINDER	1
3	574 19 08-01	1	INSERT, TRANSFER LEFT	1
4	574 19 09-01	1	INSERT, TRANSFER RIGHT	1
5	585 04 06-01	1	PISTON RING	8
6	530 01 56-97	2	PISTON PIN RETAINER	8
7	503 23 51-08	1	PLUG-SPARK (RCJ 7Y)	
8	577 83 13-01	1	KIT, PISTON CS340, CS380	1

D2 CS340, CS380
CYLINDER & PISTON

Type 2 Typ 2 Tipo 2
967326201, 967326203, 967326204, 967326301,
967326303, 967326304, 967326307, 967326309



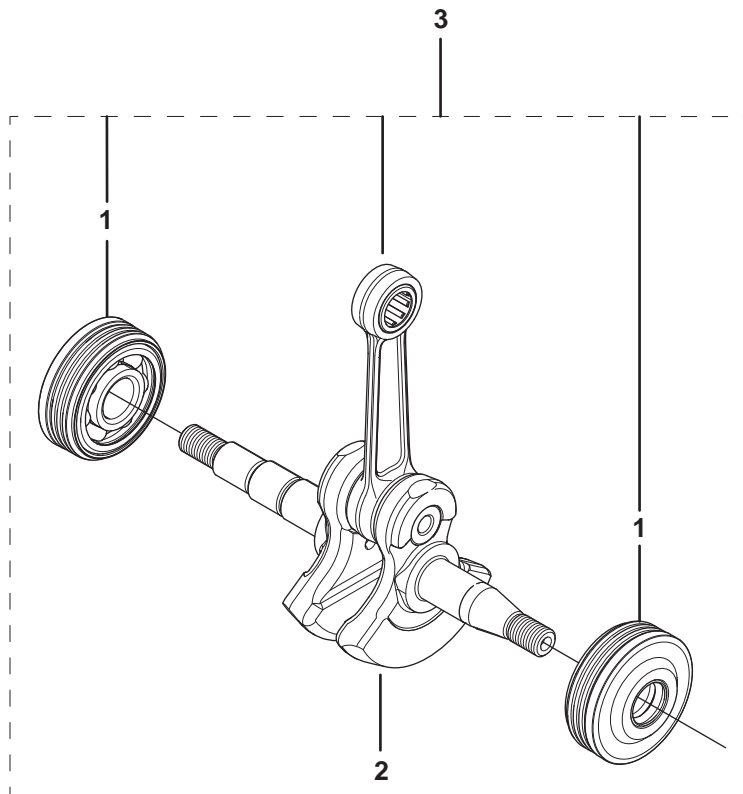
CYLINDER & PISTON

Position	Article	Quantity	Description	Kit
1	577 83 11-02	1	KIT, CYLINDER & PISTON CS340, CS380	
2	545 08 15-01	4	BOLT, CYLINDER	1
3	574 19 08-01	1	INSERT, TRANSFER LEFT	1
4	574 19 09-01	1	INSERT, TRANSFER RIGHT	1
5	585 04 06-01	1	PISTON RING	8
6	530 01 56-97	2	PISTON PIN RETAINER	8
7	503 23 51-08	1	PLUG SPARK (RCJ 7Y)	
8	577 83 13-01	1	KIT, PISTON CS340, CS380	1

E1 CS340, CS380
CRANK SHAFT

Type 1 Typ 1 Tipo 1

966631401, 966631402, 966631403, 966631404,
966631405, 966631501, 966631502, 966631503,
966631504, 966631505, 966631506, 966631507,
966631508, 966631509, 966631510, 967027401,
967027501



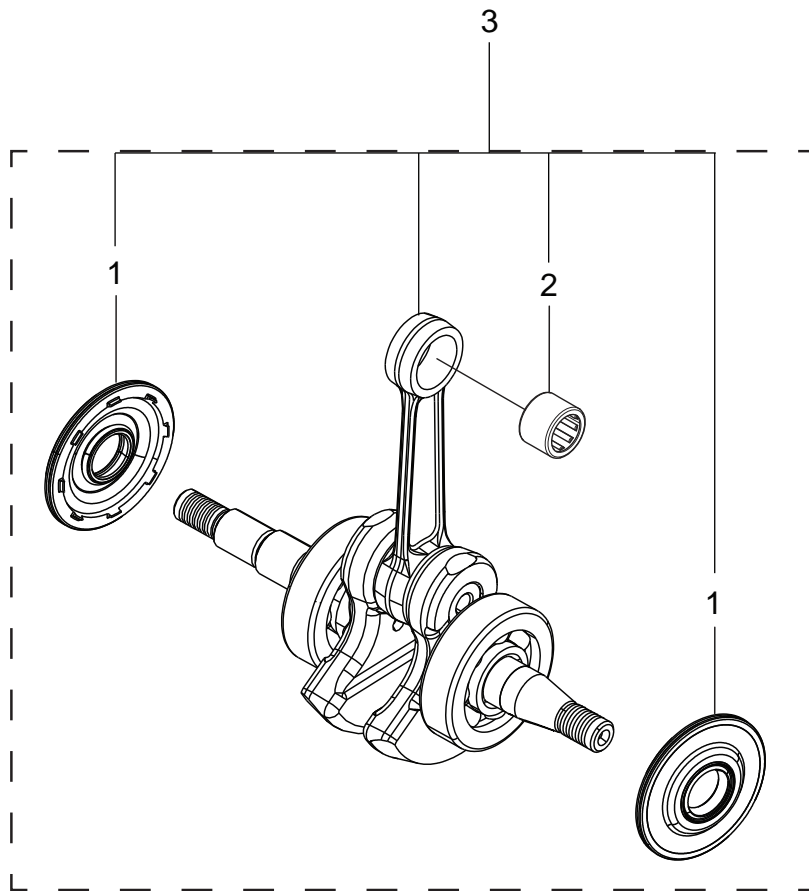
Page E1 **CS340**
CS380

CRANK SHAFT

Position	Article	Quantity	Description	Kit
1	576 24 39-01	2	ASSY MAIN BEARING & SEAL	3
2	580 30 27-01	1	ASSEMBLY CRANKSHAFT	3
3	577 83 08-01	1	KIT, CRANKSHAFT ASSEMBLY	3

E2 CS340, CS380
CRANK SHAFT

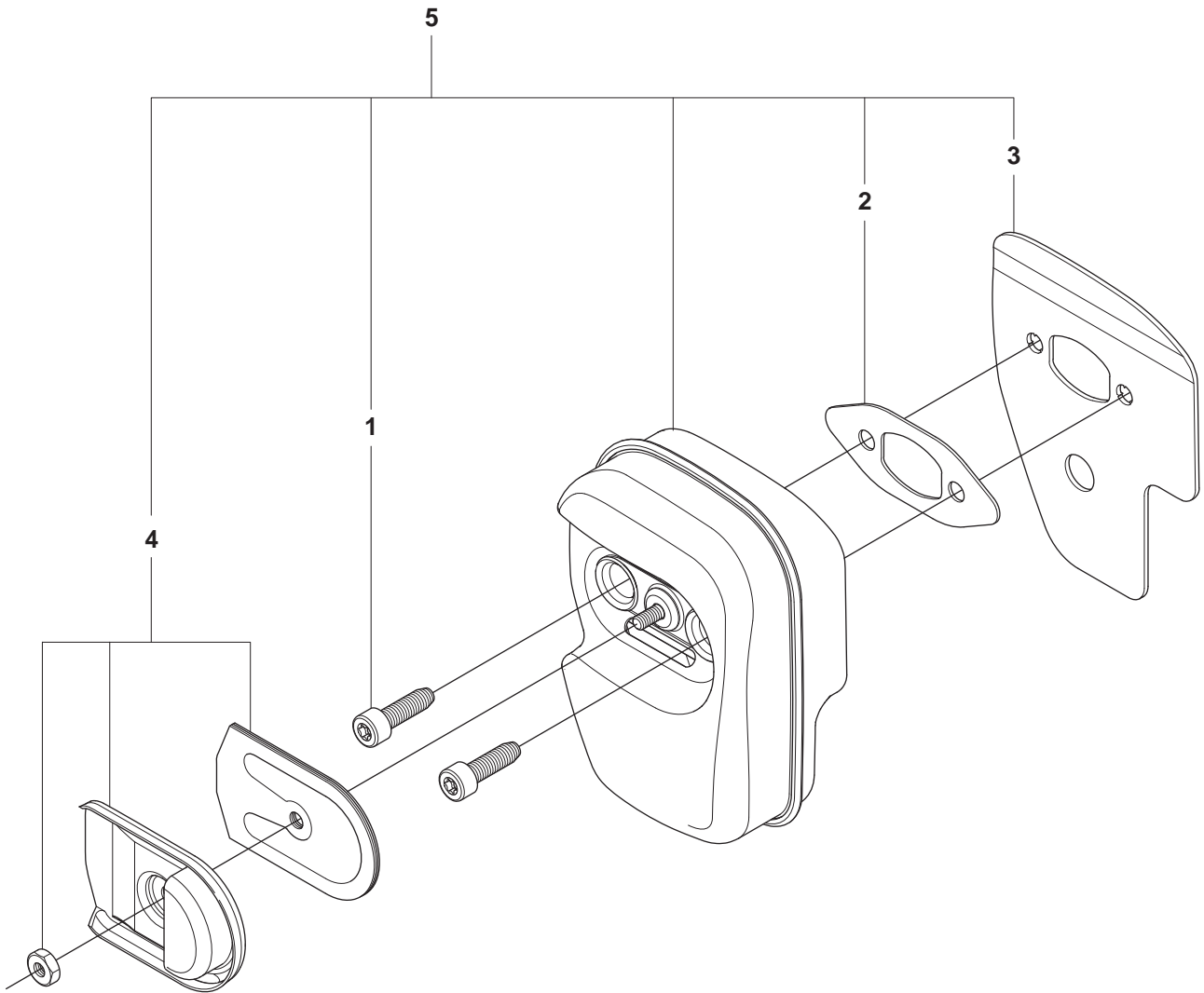
Type 2 Typ 2 Tipo 2
967326201, 967326203, 967326204, 967326301,
967326303, 967326304, 967326307, 967326309



CRANK SHAFT

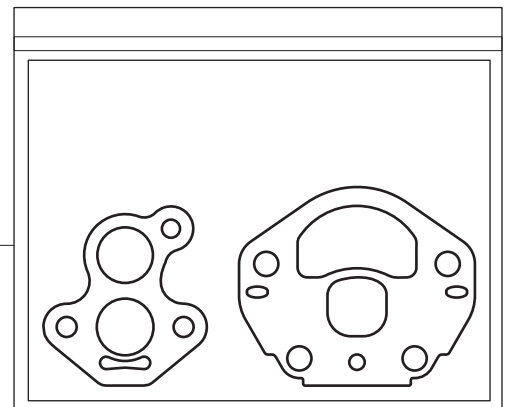
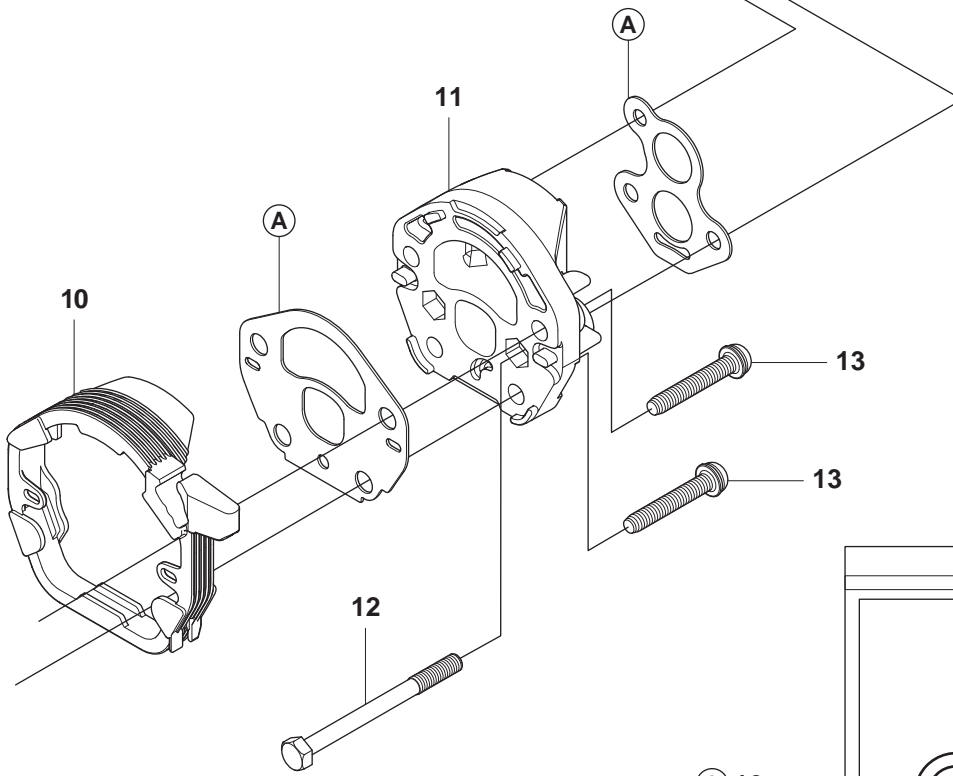
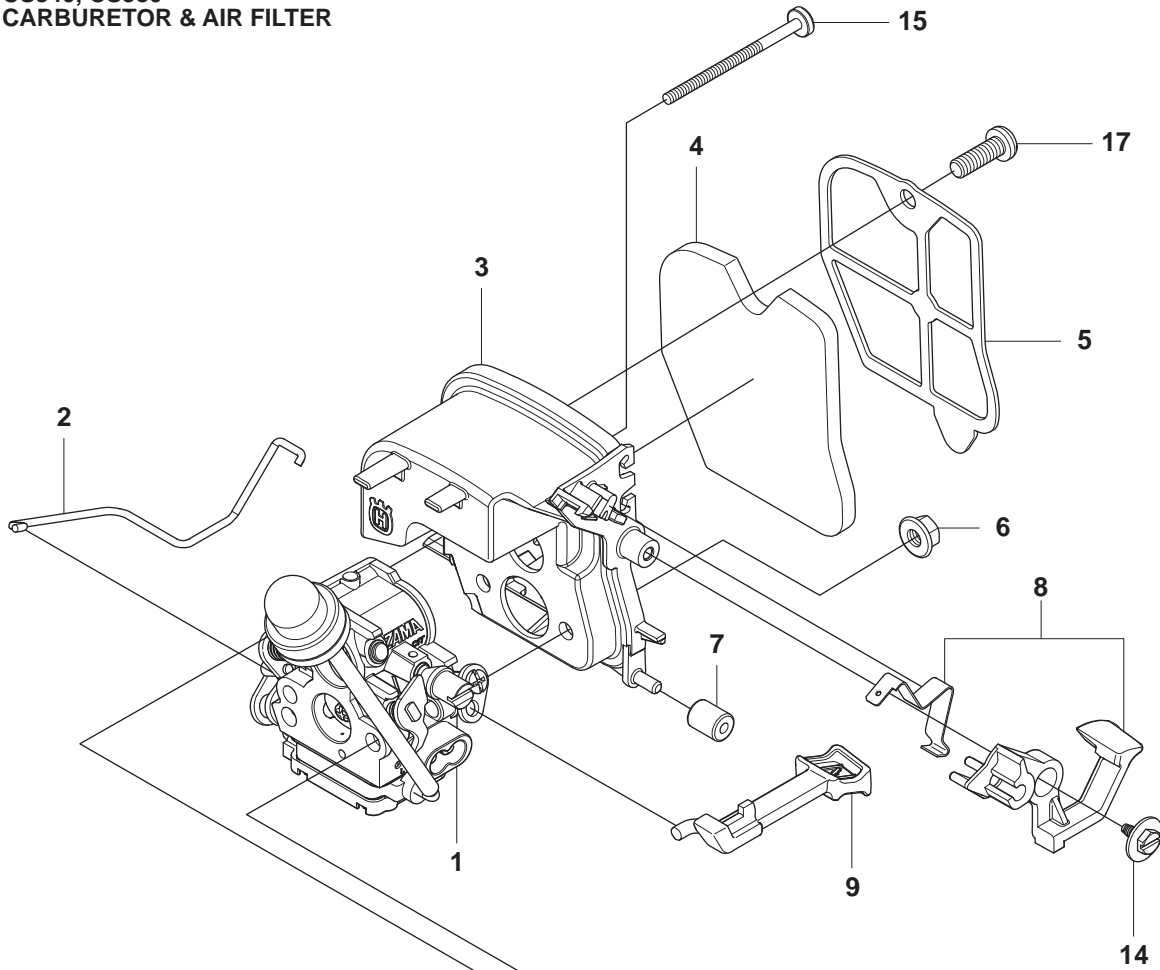
Position	Article	Quantity	Description	Kit
1	581 60 80-01	2	SEAL	3
2	574 44 94-01	1	BEARING	3
3	577 83 08-02	1	ASSEMBLY CRANKSHAFT	

F CS340, CS380
MUFFLER



Position	Article	Quantity	Description	Kit
1	530 01 63-38	2	MUFFLER BOLT	5
2	530 05 48-84	1	MUFFLER GASKET	5
3	545 06 69-01	1	MUFFLER BACK PLATE	5
4	545 00 80-27	1	KIT SPARK ARRESTOR	5
5	545 18 08-43	1	KIT MUFFLER COMPLETE	

G CS340, CS380
CARBURETOR & AIR FILTER

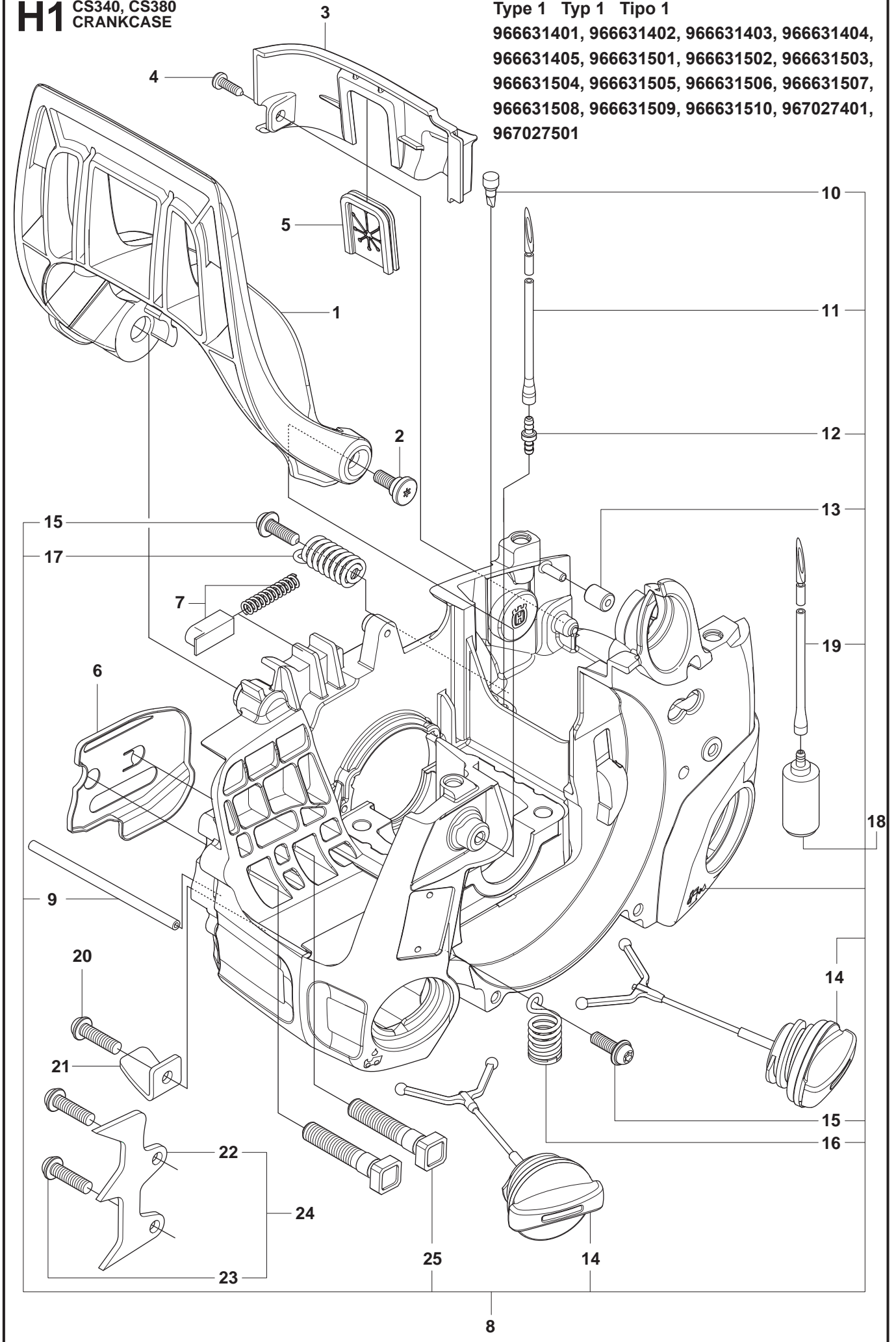


CARBURETOR & AIR FILTER

Position	Article	Quantity	Description	Kit
1	586 93 62-02	1	CARBURETOR (ZAMA) - 200053A	
2	577 81 52-01	1	THROTTLE WIRE	
3	575 49 34-01	1	FILTER HOUSING	
4	545 06 18-01	1	AIR FILTER	
5	545 15 18-01	1	FILTER PLATE	
6	530 01 61-01	2	NUT, CARB	
7	545 06 19-01	1	ISOLATOR FILTER HOUSING	
8	577 83 07-01	1	KIT, SWITCH LEVER	
9	545 06 16-01	1	CHOKE KNOB	
10	545 06 15-01	1	CARB ADAPTOR SEAL	
11	577 63 65-01	1	CARB ADAPTOR	
12	545 03 37-01	2	STUD-CARBURETOR	
13	545 15 83-01	4	CARB ADAPTOR SCREW	
14	530 01 60-80	1	SCREW ROPE RETAINER	
15	545 07 49-01	1	TOP STUD-CARBURETOR	
16	545 08 18-92	1	GASKET KIT	
17	530 01 63-49	1	SCREW M5.28X1.81X16MM PLAS	

H1 CS340, CS380 CRANKCASE

Type 1 Typ 1 Tipo 1
966631401, 966631402, 966631403, 966631404,
966631405, 966631501, 966631502, 966631503,
966631504, 966631505, 966631506, 966631507,
966631508, 966631509, 966631510, 967027401,
967027501



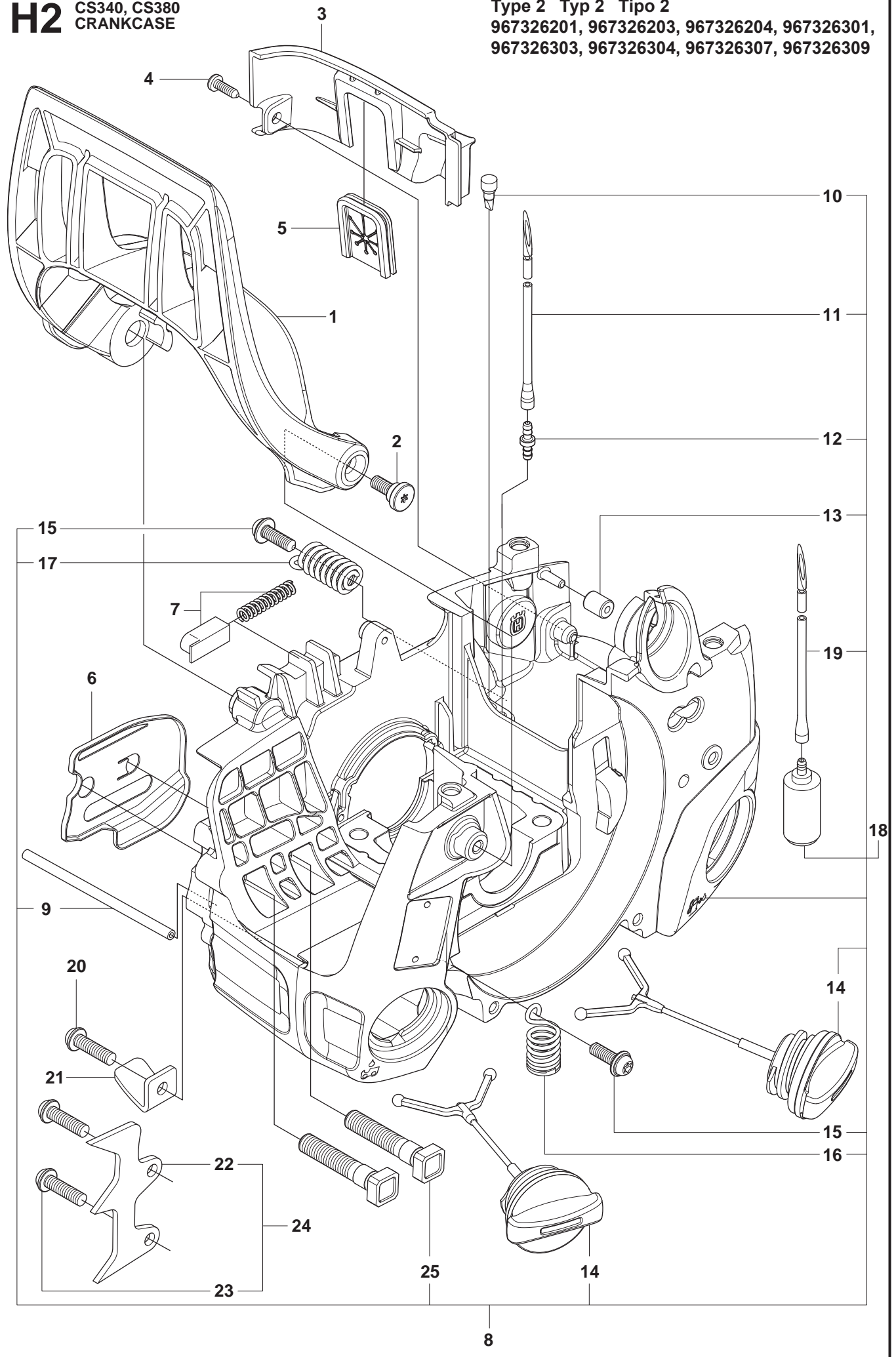
CRANKCASE

Position	Article	Quantity	Description	Kit
1	575 94 36-01	1	HANDGUARD	
2	545 12 73-01	1	BOSS SCREW, HANDGUARD	
3	576 14 10-01	1	REAR WALL	
4	545 22 71-01	1	SCREW, MTG REAR WALL	
5	545 07 54-01	1	GROMMET, REAR WALL	
6	545 07 14-01	1	PLATE BAR MOUNTING	
7	577 83 09-01	1	KIT, SPRING, HANDGUARD POSITION	
8	577 83 12-01	1	KIT, CHASSIS ASSEMBLY	
8	577 83 12-02	1	KIT, CHASSIS ASSEMBLY, US/CANADA ONLY	
9	545 03 35-01	1	ASSY, VENT LINE	8
10	530 02 61-19	1	CHECK VALVE (DUCK BILL)	8
11	530 02 11-32	1	LINE-RETURN PURGE	8
12	530 02 38-77	1	FITTING- FUEL LINE	8
13	545 06 19-01	1	ISOLATOR FILTER HOUSING	8
14	544 11 12-02	2	ASSY-OIL/FUEL CAP W/RET.	8
15	530 01 59-06	2	SCREW M5.28X1.81X16MM PLAS	8
16	545 03 38-01	1	ASSY FRONT ISOLATOR	8
17	577 54 06-01	1	REAR ISOLATOR SPRING	8
18	530 09 56-46	1	ASSY- PICK-UP	
19	530 02 11-06	1	LINE, FUEL	8
19	580 40 31-01	1	LINE, FUEL, US/CANADA ONLY	8
20	530 01 58-14	1	SCREW CHAIN CATCHER	
21	530 02 98-50	2	CHAIN CATCHER	
22	530 03 89-90	1	SPIKE	24
23	530 01 64-39	2	SCREW SPIKE	24
24	530 01 43-81	1	KIT SPIKE	
25	529 31 03-01	2	BOLT, BAR	8

H2

CS340, CS380
CRANKCASE

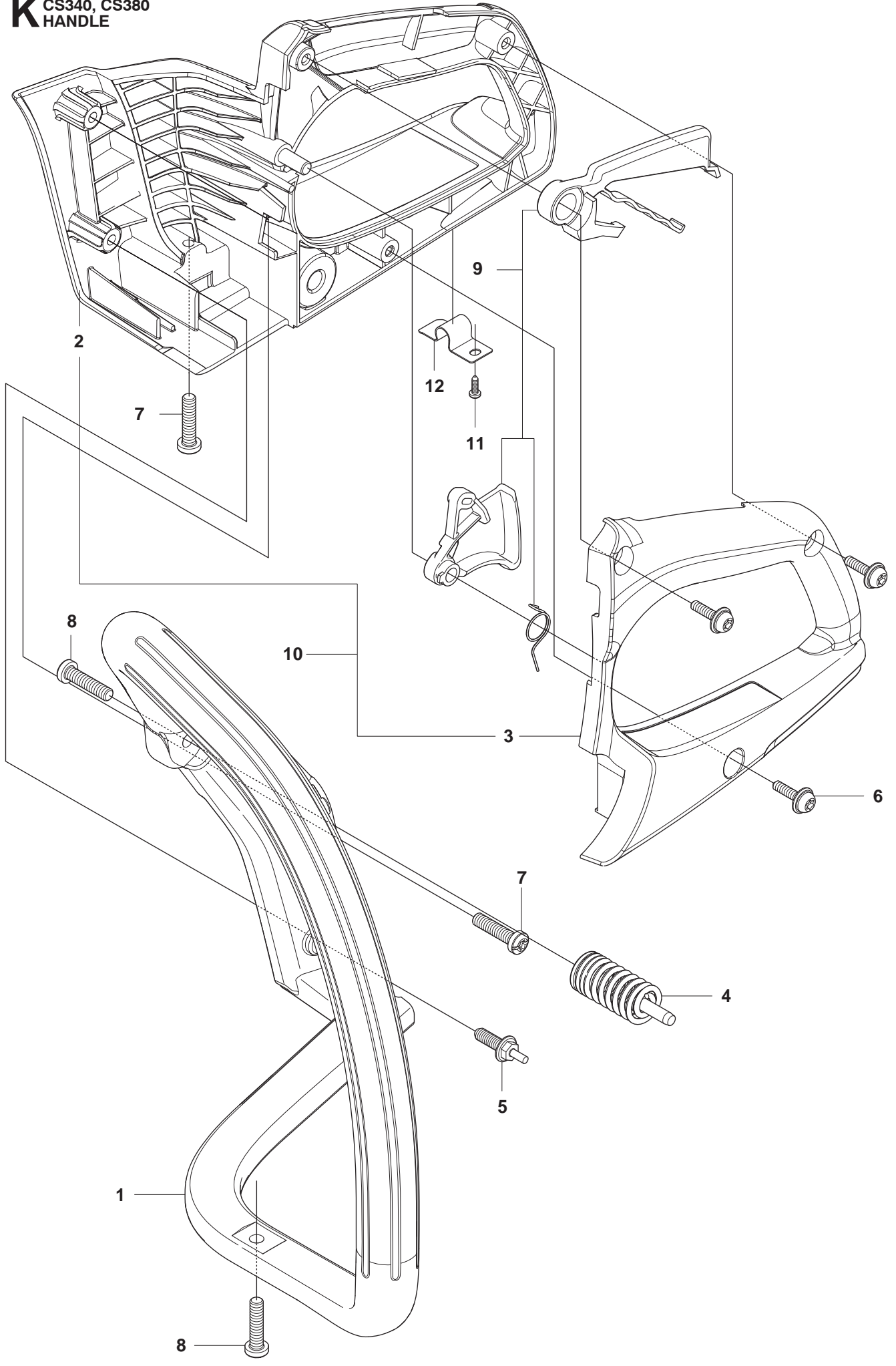
Type 2 Typ 2 Tipo 2
967326201, 967326203, 967326204, 967326301,
967326303, 967326304, 967326307, 967326309



CRANKCASE

Position	Article	Quantity	Description	Kit
1	575 94 36-01	1	HANDGUARD	
2	545 12 73-01	1	BOSS SCREW, HANDGUARD	
3	576 14 10-01	1	REAR WALL	
4	545 22 71-01	1	SCREW, MTG REAR WALL	
5	545 07 54-01	1	GROMMET, REAR WALL	
6	545 07 14-01	1	PLATE BAR MOUNTING	
7	577 83 09-01	1	KIT, SPRING, HANDGUARD POSITION	
8	577 83 12-03	1	KIT, CHASSIS ASSEMBLY	
9	545 03 35-01	1	ASSY, VENT LINE	8
10	530 02 61-19	1	CHECK VALVE (DUCK BILL)	8
11	530 02 11-32	1	LINE-RETURN PURGE	8
12	530 02 38-77	1	FITTING- FUEL LINE	8
13	545 06 19-01	1	ISOLATOR FILTER HOUSING	8
14	544 11 12-02	2	ASSY-OIL/FUEL CAP W/RET.	8
15	530 01 59-06	2	SCREW M5.28X1.81X16MM PLAS	8
16	545 03 38-01	1	ASSY FRONT ISOLATOR	8
17	577 54 06-01	1	REAR ISOLATOR SPRING	8
18	530 09 56-46	1	ASSY- PICK-UP	
19	530 02 11-06	1	LINE, FUEL	8
19	580 40 31-01	1	LINE, FUEL, US/CANADA ONLY	8
20	530 01 58-14	1	SCREW CHAIN CATCHER	
21	530 02 98-50	2	CHAIN CATCHER	
22	530 03 89-90	1	SPIKE	24
23	530 01 64-39	2	SCREW SPIKE	24
24	530 01 43-81	1	KIT SPIKE	
25	529 31 03-01	2	BOLT, BAR	8

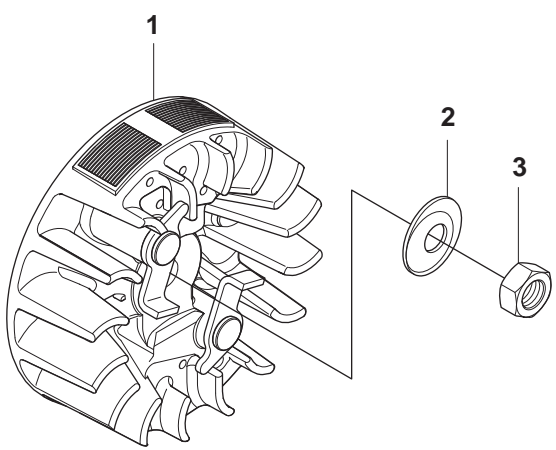
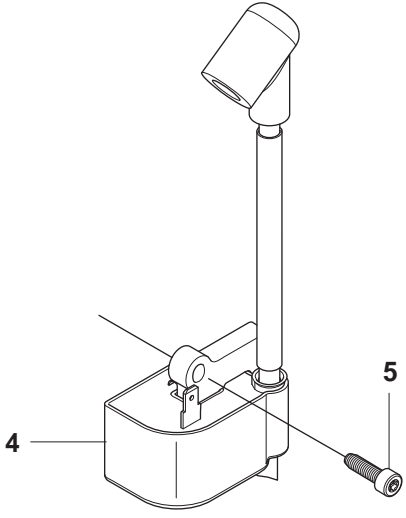
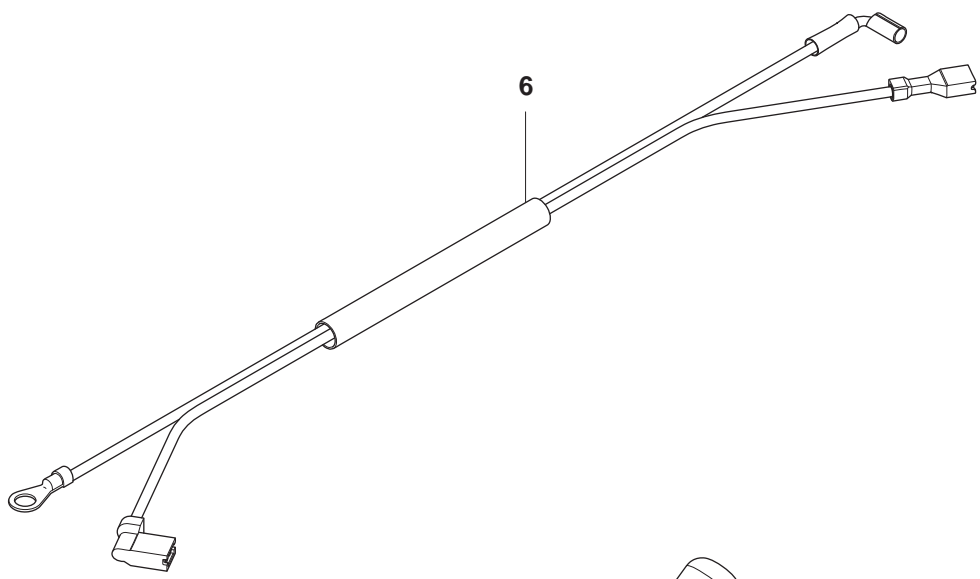
K CS340, CS380
HANDLE



Page K CS340 HANDLE
CS380

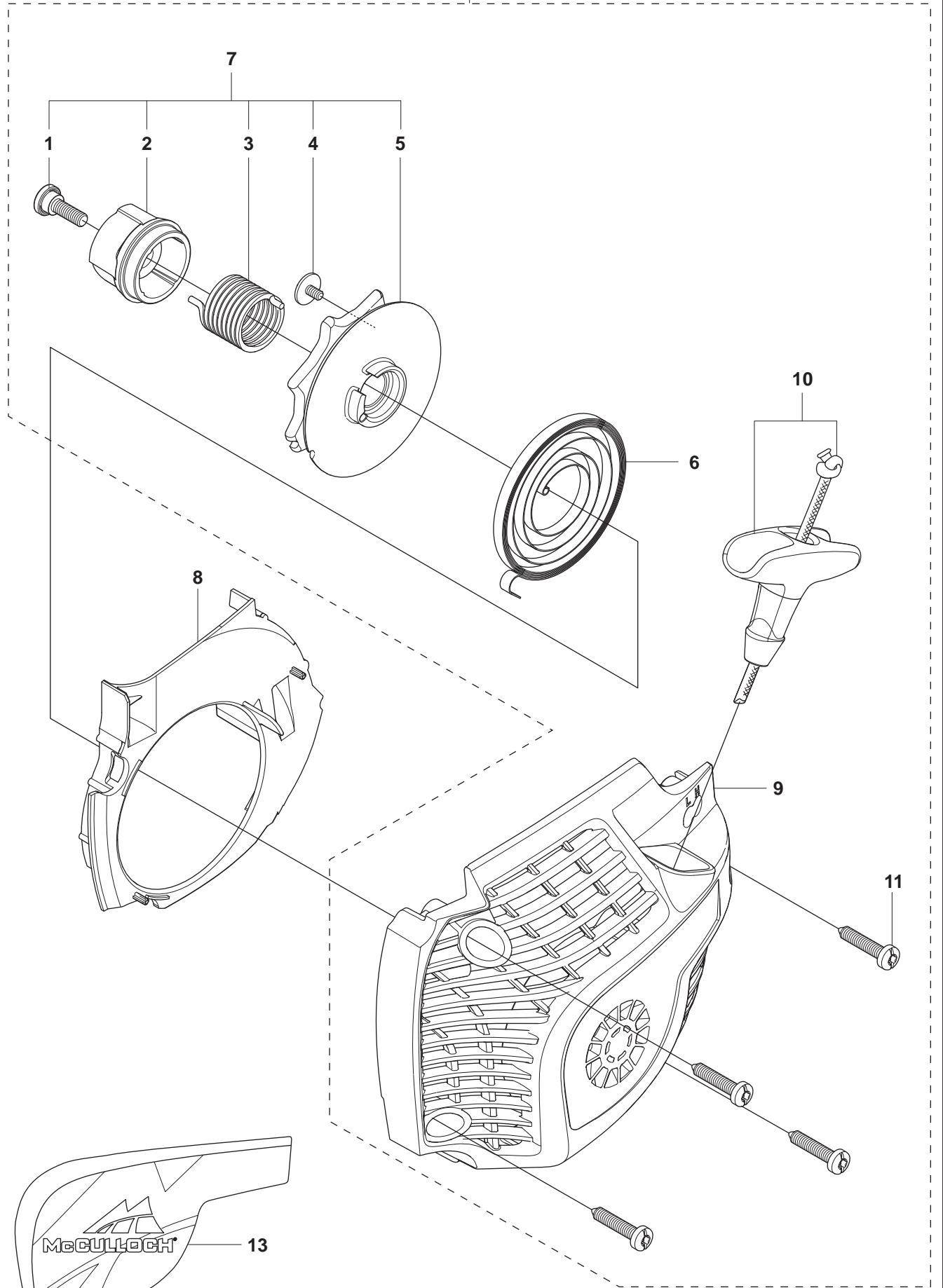
Position	Article	Quantity	Description	Kit
1	576 02 54-01	1	FRONT HANDLE	
2	576 02 55-01	1	REAR HANDLE W/OVMLD	10
3	576 02 57-01	1	REAR HANDLE COVER	10
4	577 54 08-01	1	ASSY FRONT ISOLATOR	
5	576 80 83-01	1	ISOLATION LIMITER SCREW	
6	530 01 64-33	3	SCREW 8-16X15.1 PL PAN.TRX	
7	530 01 63-49	2	SCREW M5.28X1.81X16MM PLAS	
8	530 01 64-32	2	SCREW M5.38-14X22.225MM	
9	577 82 19-01	1	KIT TRIGGER & LOCKOUT	
10	577 83 00-01	1	KIT HANDLE	
11	545 22 71-01	1	SCREW 19 X .437 .PL. PAN.	
12	576 38 93-01	1	SCRENCH CLIP	

M CS340, CS380
IGNITION SYSTEM



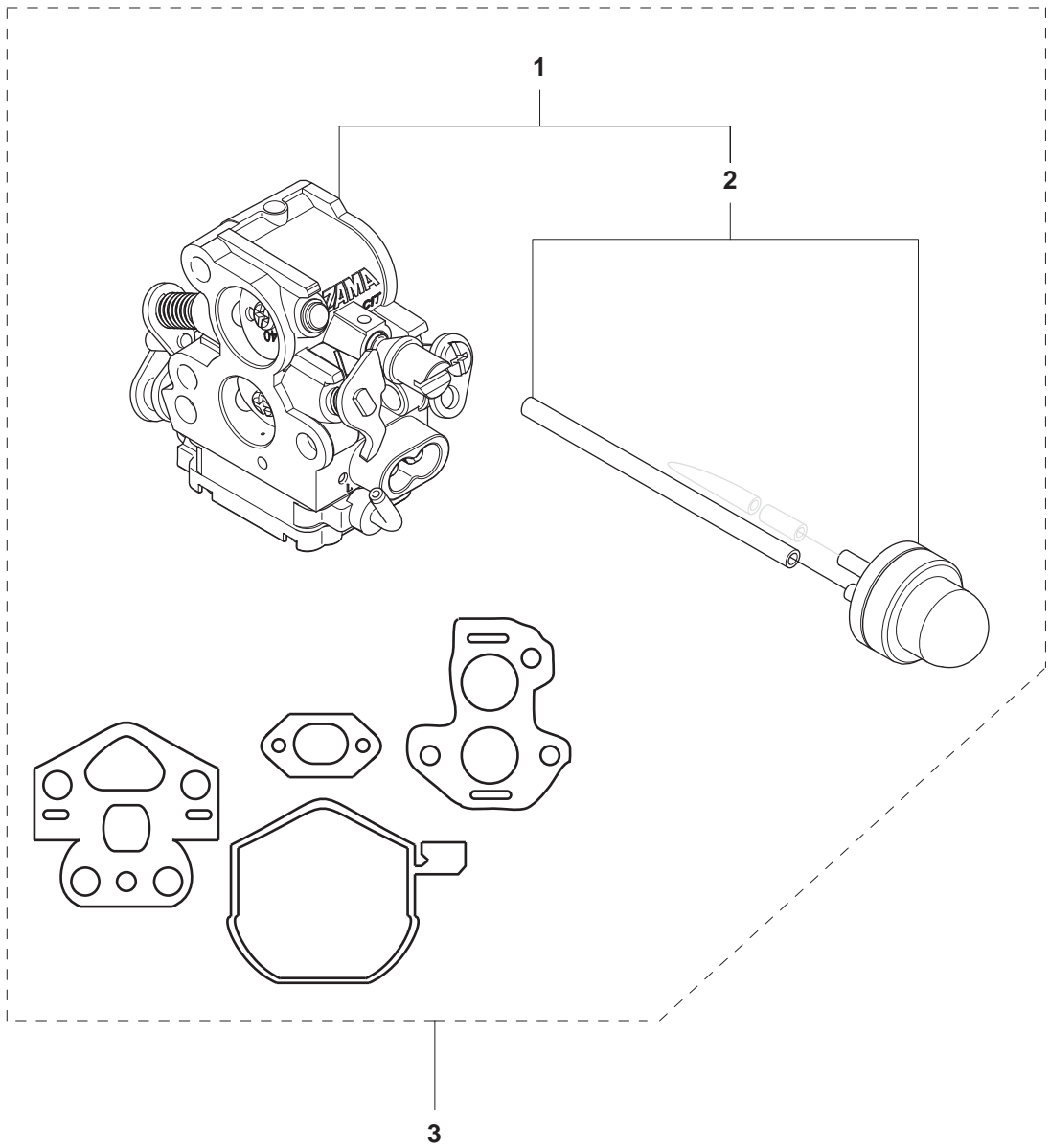
IGNITION SYSTEM

Position	Article	Quantity	Description	Kit
1	575 63 55-02	1	FLYWHEEL ASSY	
2	530 01 51-27	1	WASHER, FLYWHEEL	
3	530 01 61-34	1	NUT, FLYWHEEL	
4	575 80 35-01	1	MODULE- IGNITION	
5	545 12 19-01	2	SCREW, IGN MODULE	
6	545 07 99-01	1	ASSY- WIRE HARNESS	



Position	Article	Quantity	Description	Kit
1	530 02 11-79	1	SCREW SHOULDER	7,12
2	530 05 96-77	1	STARTER HUB EPS	7,12
3	530 02 11-80	1	SPRING EPS	7,12
4	530 01 60-80	1	SCREW, ROPE RETAINER	7,12
5	545 05 82-01	1	PULLEY- STARTER EPS	7,12
6	530 04 20-95	1	SPRING- RECOIL	12
7	545 18 08-12	1	KIT, EPS STARTER	12
8	575 94 28-01	1	BAFFLE	
9	575 94 23-01	1	FAN HOUSING	12
10	576 43 13-01	1	HANDLE & ROPE assy	12
11	530 01 64-32	4	SCREW M5.38-14X22.225MM	12
12	577 16 25-01	1	KIT, COMPLETE EPS	
13	576 80 75-01	1	DECAL, FAN HOUSING	

P CS340, CS380
CARBURETOR

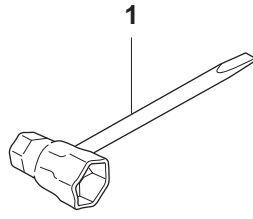


Page P CS340
CS380

CARBURETOR

Position	Article	Quantity	Description	Kit
1	586 93 62-02	1	CARB COMPLETE	
2	545 00 80-30	1	PURGE AND LINE ASSEMBLY	1,3
3	587 60 97-01	1	KIT CARB REPAIR	

Q CS340, CS380
ACCESSORIES



Page Q CS340
CS380

ACCESSORIES

Position	Article	Quantity	Description	Kit
1	576 86 59-01	1	WRENCH	