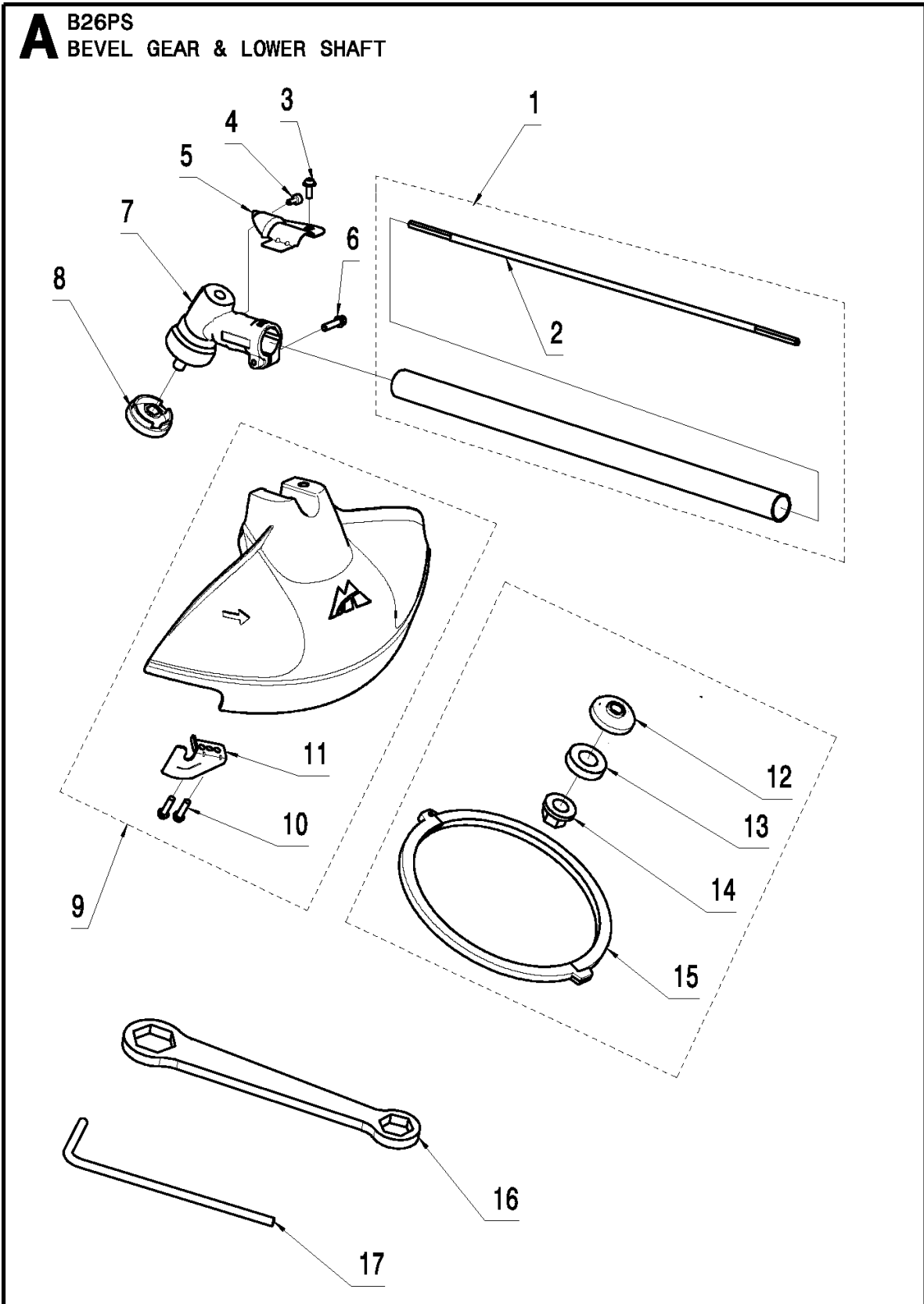




SPARE PARTS LIST

BRUSHCUTTERS/CLEARING SAWS

B26 PS, 967207801, 967147101, 2014-02

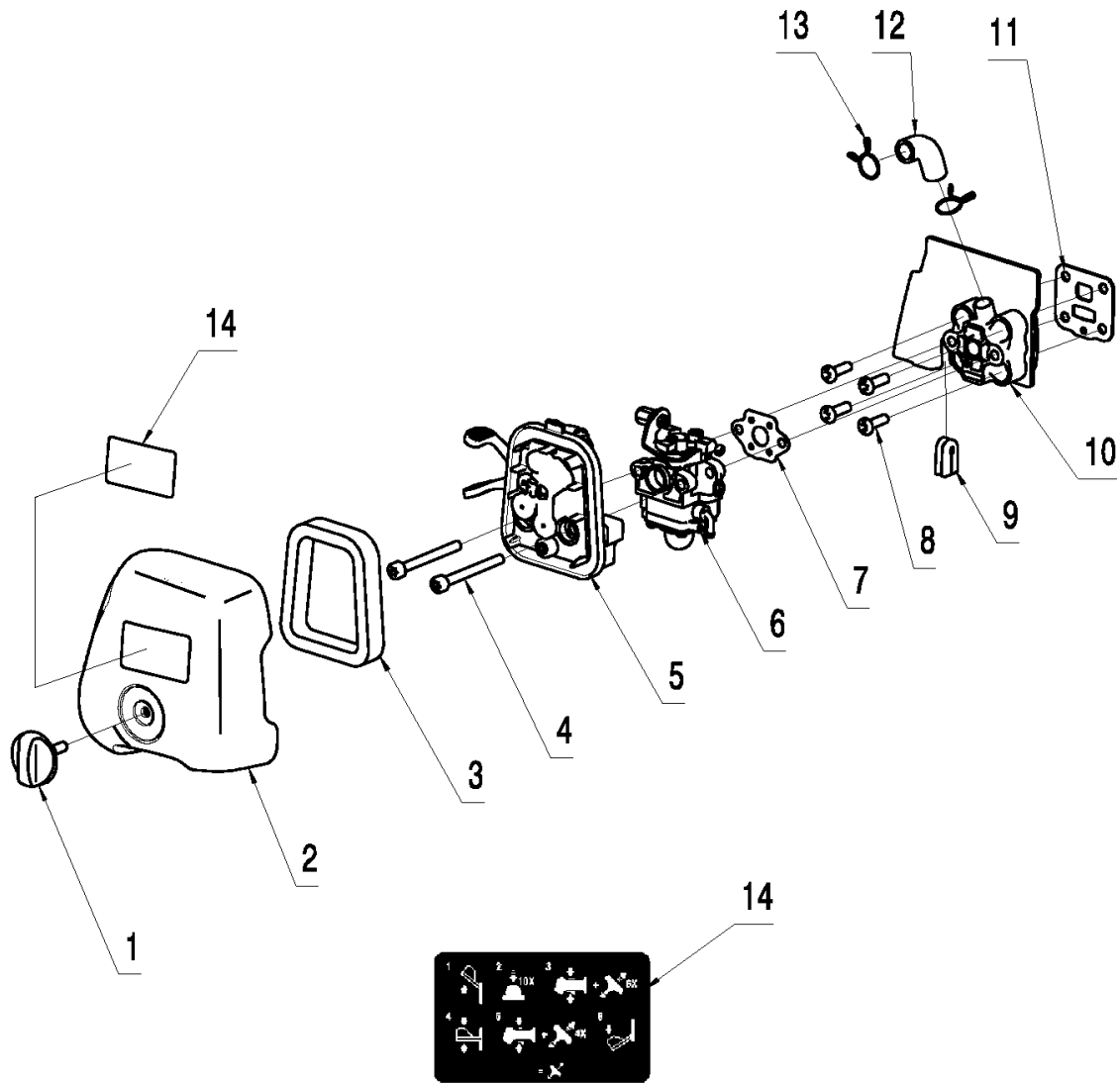


BEVEL GEAR & SHAFT

B26 PS, 967207801, 967147101, 2014-02

| Ref | Part No | Description | Remark | QTY | KIT |
|-----|--------------|-----------------|--------|-----|-----|
| 1 | 578 91 02-03 | TUBE | | 1 | |
| 2 | 574 31 64-07 | DRIVE SHAFT | | 1 | 1 |
| 3 | 530 01 57-71 | SCREW | | 1 | |
| 4 | 530 01 57-75 | SCREW | | 1 | |
| 5 | 545 15 07-01 | BRACKET | | 1 | |
| 6 | 575 50 77-01 | SCREW | | 1 | |
| 7 | 578 16 00-01 | BEVEL GEAR ASSY | | 1 | |
| 8 | 578 18 52-01 | CUP | | 1 | |
| 9 | 580 30 50-01 | SHIELD | | 1 | |
| 10 | 530 01 58-14 | SCREW | | 2 | 9 |
| 11 | 530 05 22-86 | LINE | | 1 | 9 |
| 12 | 578 18 51-01 | WASHER | | 1 | |
| 13 | 578 40 72-01 | WASHER | | 1 | |
| 14 | 521 80 40-01 | NUT | | 1 | |
| 15 | 585 96 72-01 | TRANSPORT GUARD | | 1 | |
| 16 | 530 05 64-01 | WRENCH | | 1 | |
| 17 | 576 80 94-01 | WRENCH | | 1 | |

G B26PS
CARBURATER & AIR FILTER

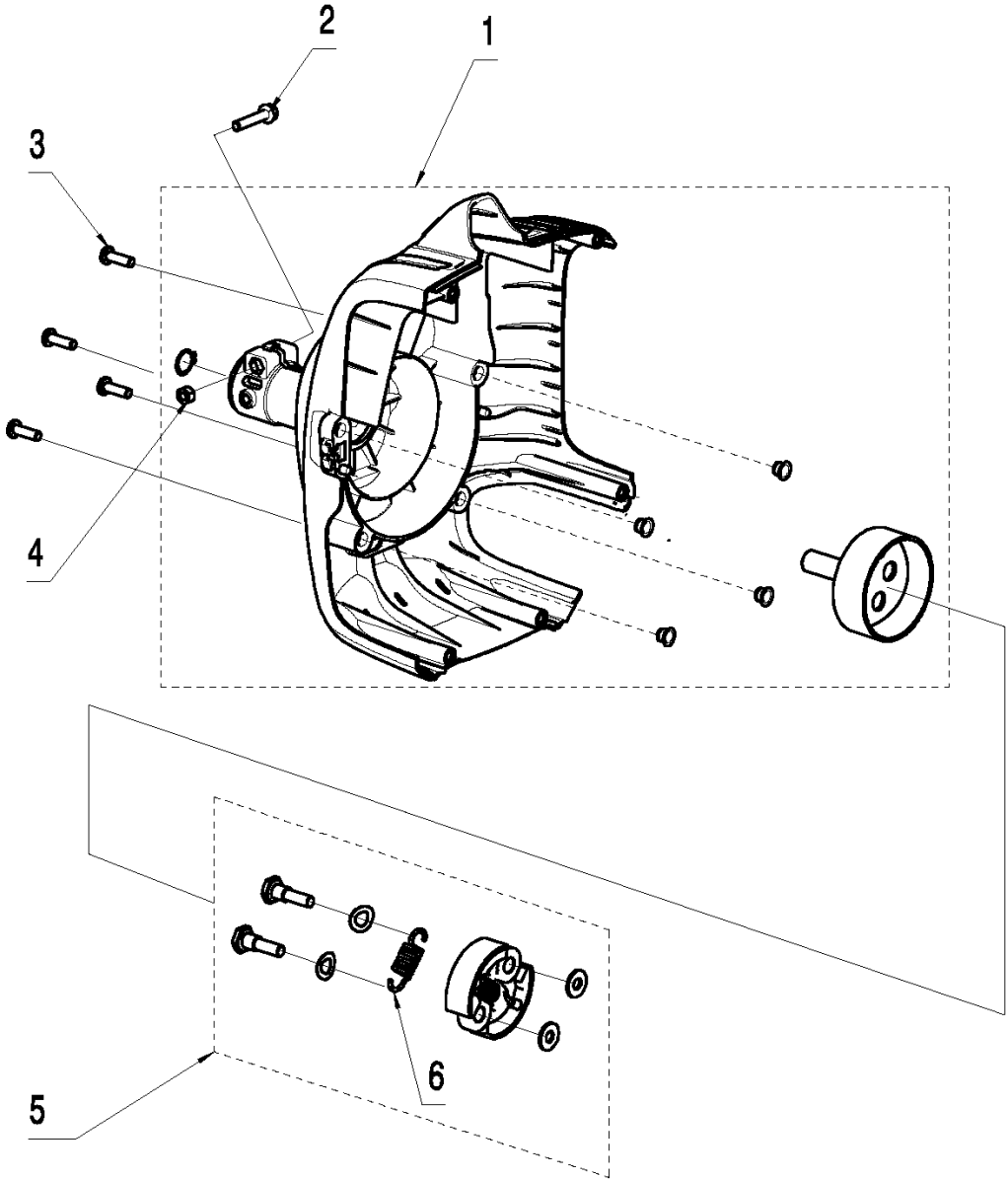


CARBURETOR & AIR FILTER

B26 PS, 967207801, 967147101, 2014-02

| Ref | Part No | Description | Remark | QTY KIT |
|-----|--------------|--------------------|--------|---------|
| 1 | 537 21 32-01 | KNOB | | 1 |
| 2 | 584 91 76-01 | FILTER COVER | | 1 |
| 3 | 575 30 95-01 | AIR FILTER | | 1 |
| 4 | 578 30 39-01 | SCREW | | 2 |
| 5 | 575 30 97-01 | FILTER HOLDER ASSY | | 1 |
| 6 | 584 27 41-01 | CARBURETTOR | | 1 |
| 7 | 575 31 09-01 | GASKET | | 1 |
| 8 | 584 95 62-01 | SCREW | | 4 |
| 9 | 575 31 13-01 | GROMMET | | 1 |
| 10 | 575 31 14-01 | INSULATOR | | 1 |
| 11 | 575 31 15-01 | GASKET | | 1 |
| 12 | 575 31 11-01 | INLET PIPE | | 1 |
| 13 | 575 31 12-01 | HOSE CLAMP | | 2 |
| 14 | 585 69 38-01 | DECAL | | 1 |

D B26PS
CLUTCH

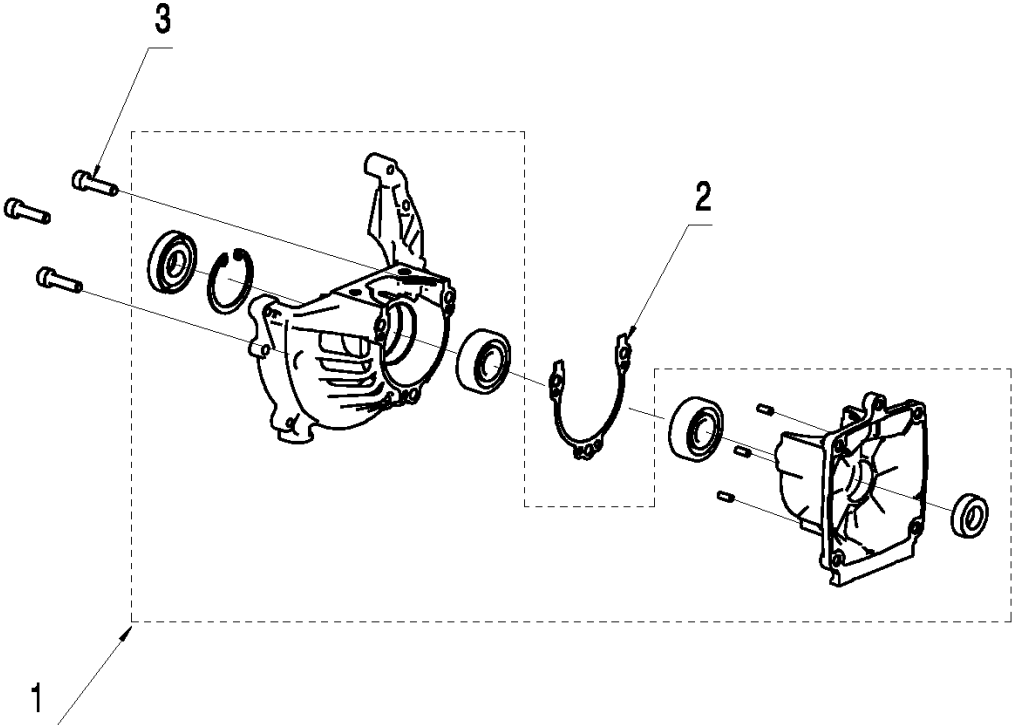


CLUTCH COVER

B26 PS, 967207801, 967147101, 2014-02

| Ref | Part No | Description | Remark | QTY | KIT |
|-----|--------------|-------------------|--------|-----|-----|
| 1 | 584 91 73-01 | CLUTCH COVER ASSY | | 1 | |
| 2 | 525 75 51-04 | SCREW ITXSCFM | | 1 | |
| 3 | 525 75 51-01 | SCREW ITXSCFM | | 4 | |
| 4 | 731 23 14-01 | HEXAGON NUT | | 1 | 1 |
| 5 | 586 55 70-01 | TOOL KIT | | 1 | |
| 6 | 586 55 69-01 | CLUTCH SPRING | | 1 | 5 |

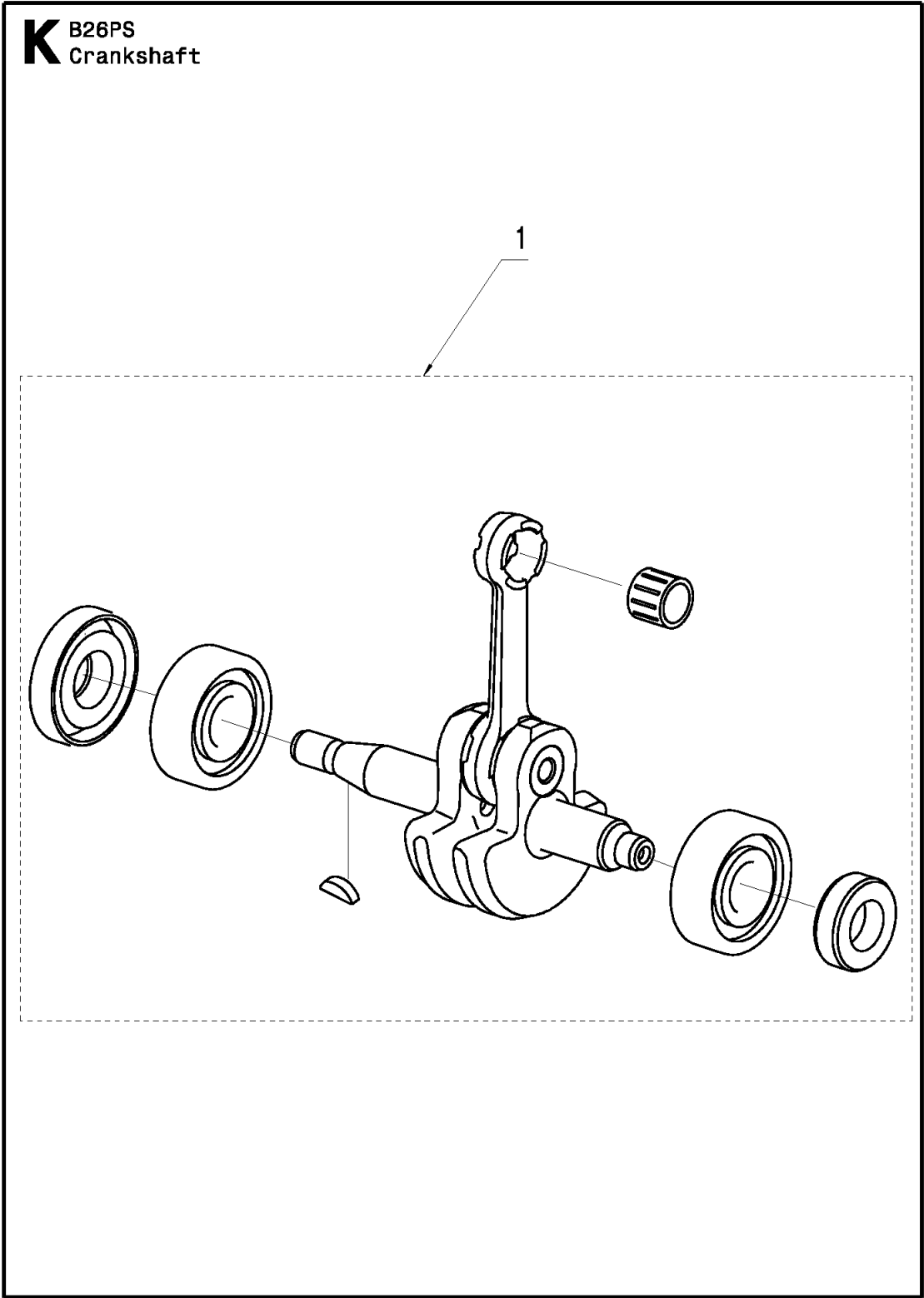
L B26PS
CRANKCASE



CRANKCASE

B26 PS, 967207801, 967147101, 2014-02

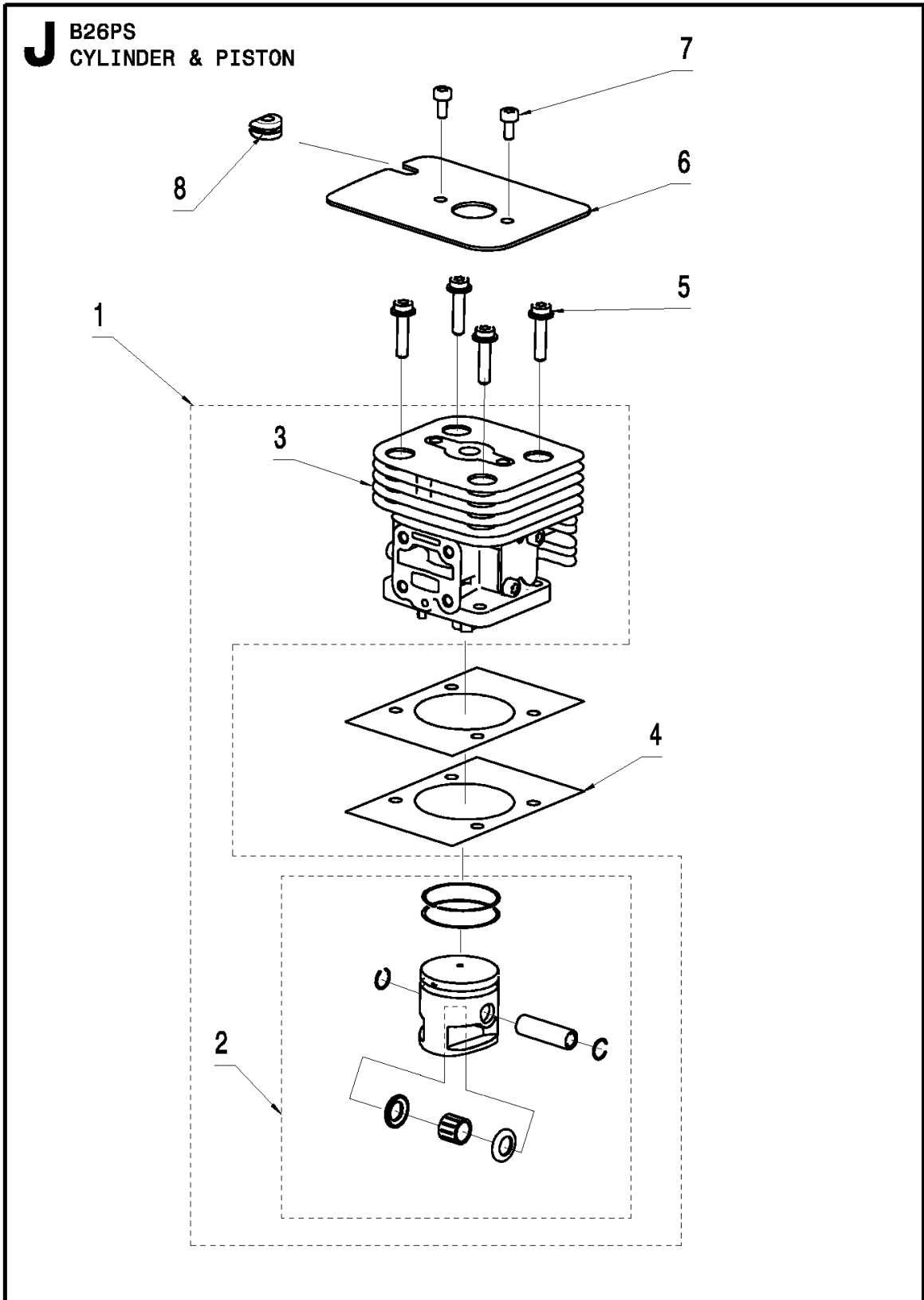
| Ref | Part No | Description | Remark | QTY KIT |
|-----|--------------|-------------|--------|---------|
| 1 | 586 59 49-01 | TOOL KIT | | 1 |
| 2 | 575 31 19-01 | GASKET | | 1 |
| 3 | 584 95 59-01 | SCREW | | 3 |



CRANKSHAFT

B26 PS, 967207801, 967147101, 2014-02

| Ref | Part No | Description | Remark | QTY KIT |
|-----|--------------|-------------|--------|---------|
| 1 | 586 49 16-01 | TOOL KIT | | 1 |

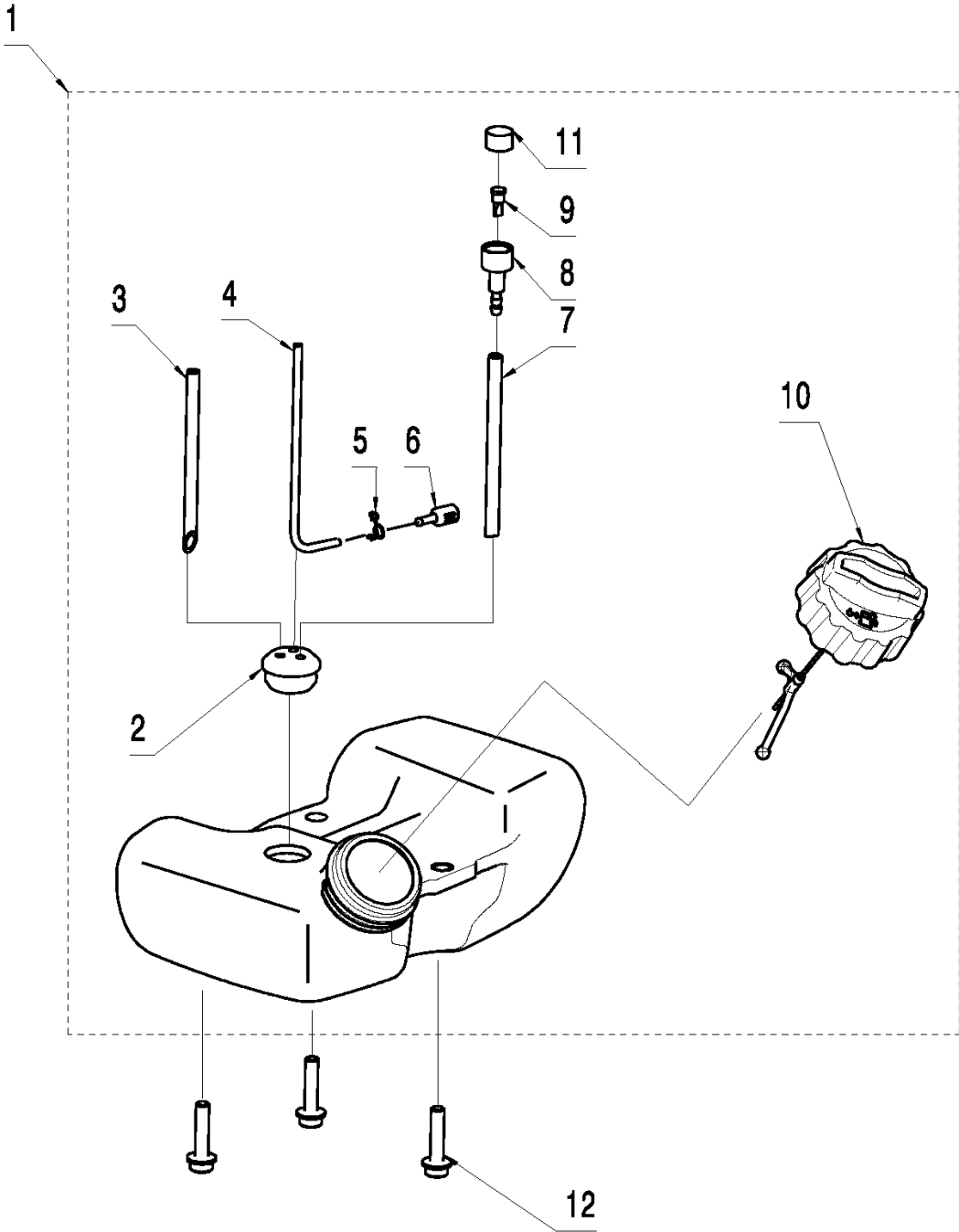


CYLINDER PISTON

B26 PS, 967207801, 967147101, 2014-02

| Ref | Part No | Description | Remark | QTY | KIT |
|-----|--------------|---------------|--------|-----|-----|
| 1 | 586 49 14-01 | TOOL KIT | | 1 | |
| 2 | 586 49 15-01 | TOOL KIT | | 1 | 1 |
| 3 | 578 41 19-01 | CYLINDER ASSY | | 1 | 1 |
| 4 | 575 30 78-01 | GASKET | | 2 | |
| 5 | 584 95 60-01 | SCREW | | 4 | |
| 6 | 575 30 67-01 | PLATE | | 1 | |
| 7 | 575 30 66-01 | SCREW | | 2 | |
| 8 | 585 59 72-01 | GROMMET | | 1 | |

E B26PS
FUEL TANK

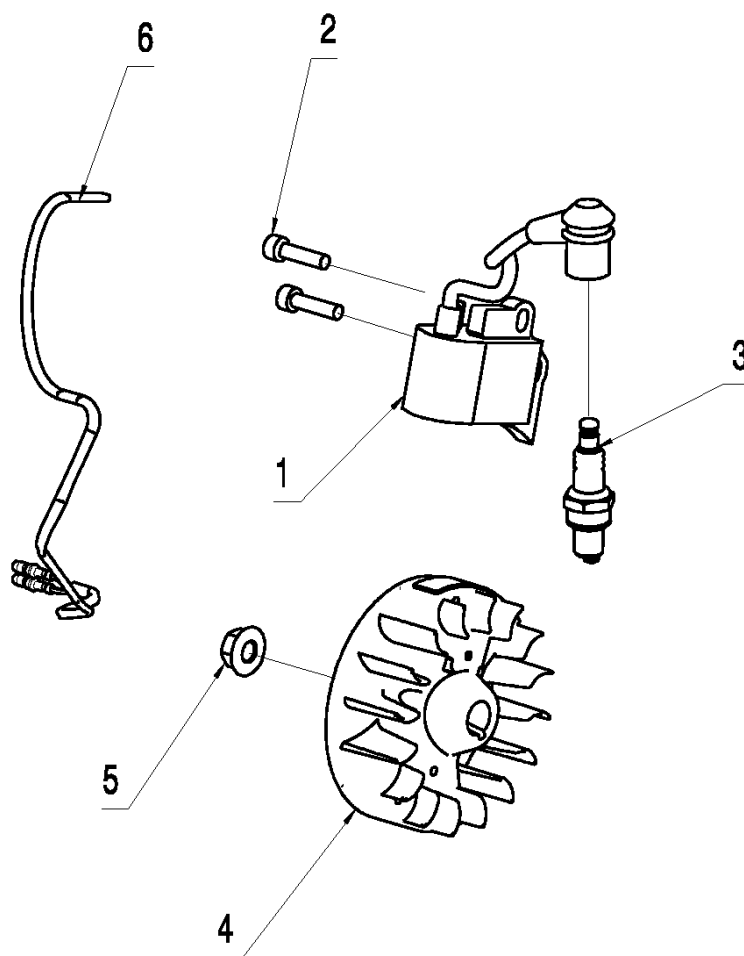


FUEL TANK

B26 PS, 967207801, 967147101, 2014-02

| Ref | Part No | Description | Remark | QTY KIT | |
|-----|--------------|------------------|--------|---------|---|
| 1 | 585 30 11-01 | FUEL TANK ASSY | | 1 | |
| 2 | 575 31 28-01 | GROMMET | | 1 | 1 |
| 3 | 575 31 30-01 | FUEL HOSE | | 1 | 1 |
| 4 | 575 31 31-01 | FUEL HOSE | | 1 | 1 |
| 5 | 586 09 54-01 | CLAMP | | 1 | 1 |
| 6 | 574 22 70-01 | FUEL FILTER | | 1 | 1 |
| 7 | 575 31 29-01 | VENTILATING HOSE | | 1 | 1 |
| 8 | 575 48 44-01 | VALVE HOUSING | | 1 | 1 |
| 9 | 575 48 45-01 | VALVE NIPPLE | | 1 | 1 |
| 10 | 580 92 68-01 | TANK CAP ASSY | | 1 | 1 |
| 11 | 575 48 46-01 | FILTER | | 1 | 1 |
| 12 | 575 31 33-01 | SCREW | | 3 | |

I B26PS
IGNITION

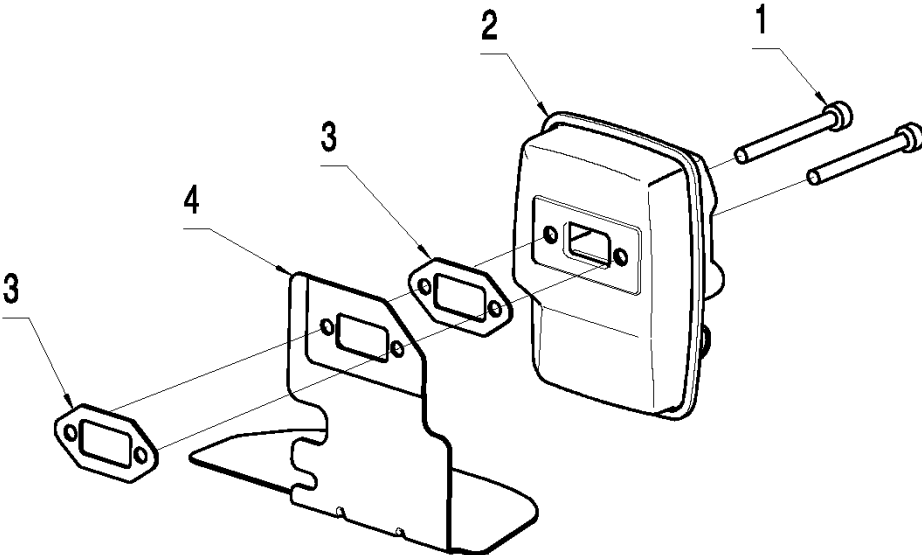


IGNITION SYSTEM

B26 PS, 967207801, 967147101, 2014-02

| Ref | Part No | Description | Remark | QTY KIT |
|-----|--------------|---------------------|--------|---------|
| 1 | 585 56 55-01 | IGNITION MODULE | | 2 |
| 2 | 584 95 59-01 | SCREW | | 1 |
| 3 | 578 41 02-01 | SPARK PLUG | | 1 |
| 4 | 585 56 57-01 | FLYWHEEL | | 1 |
| 5 | 574 22 34-01 | NUT | | 1 |
| 6 | 574 48 89-03 | SHORT CIRCUIT CABLE | | |

F B26PS
MUFFLER

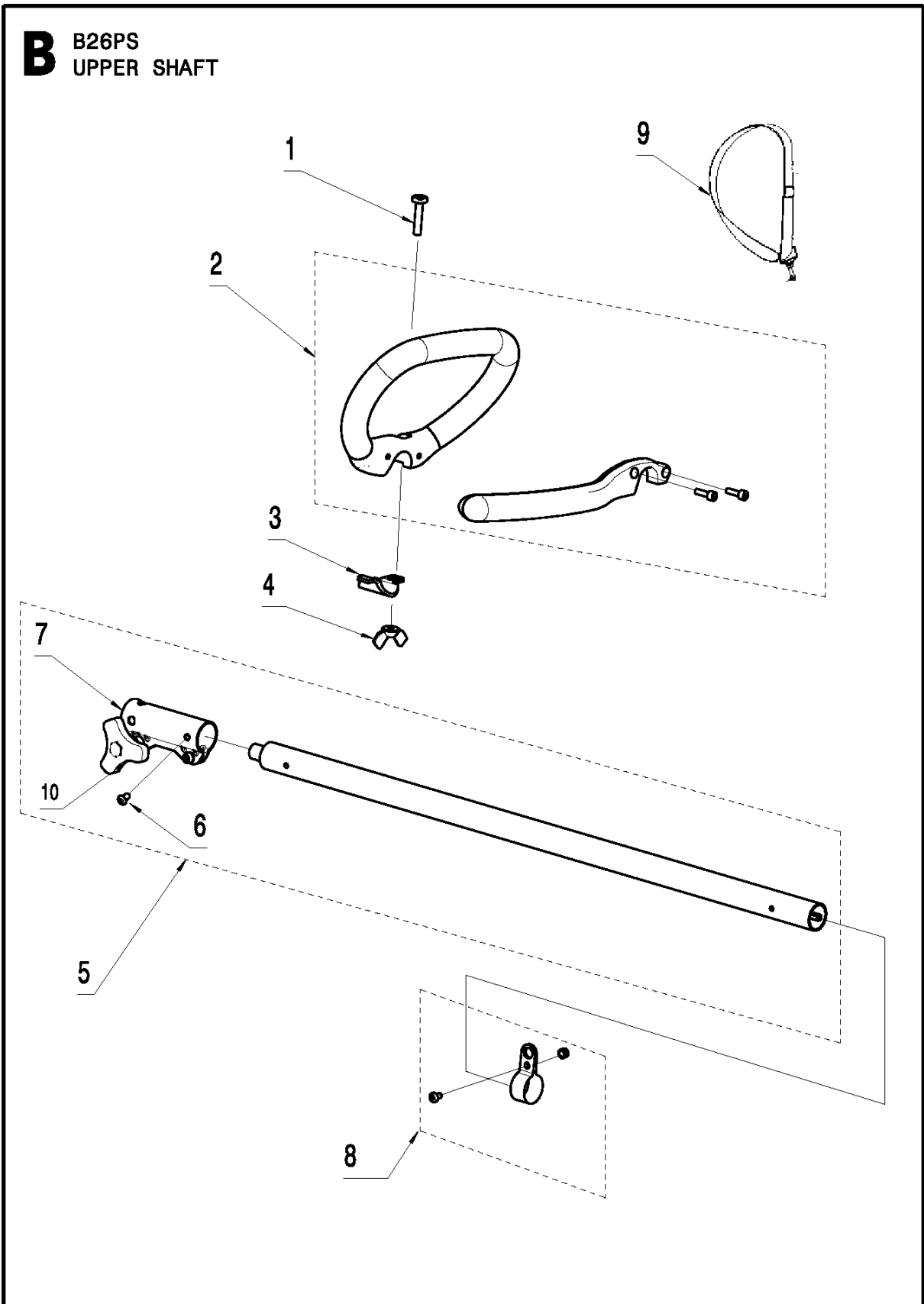


MUFFLER

B26 PS, 967207801, 967147101, 2014-02

| Ref | Part No | Description | Remark | QTY KIT |
|-----|--------------|-------------|--------|---------|
| 1 | 584 95 63-01 | SCREW | | 2 |
| 2 | 585 56 54-01 | MUFFLER | | 1 |
| 3 | 585 61 30-01 | GASKET | | 2 |
| 4 | 585 09 45-01 | GASKET | | 1 |

B B26PS
UPPER SHAFT

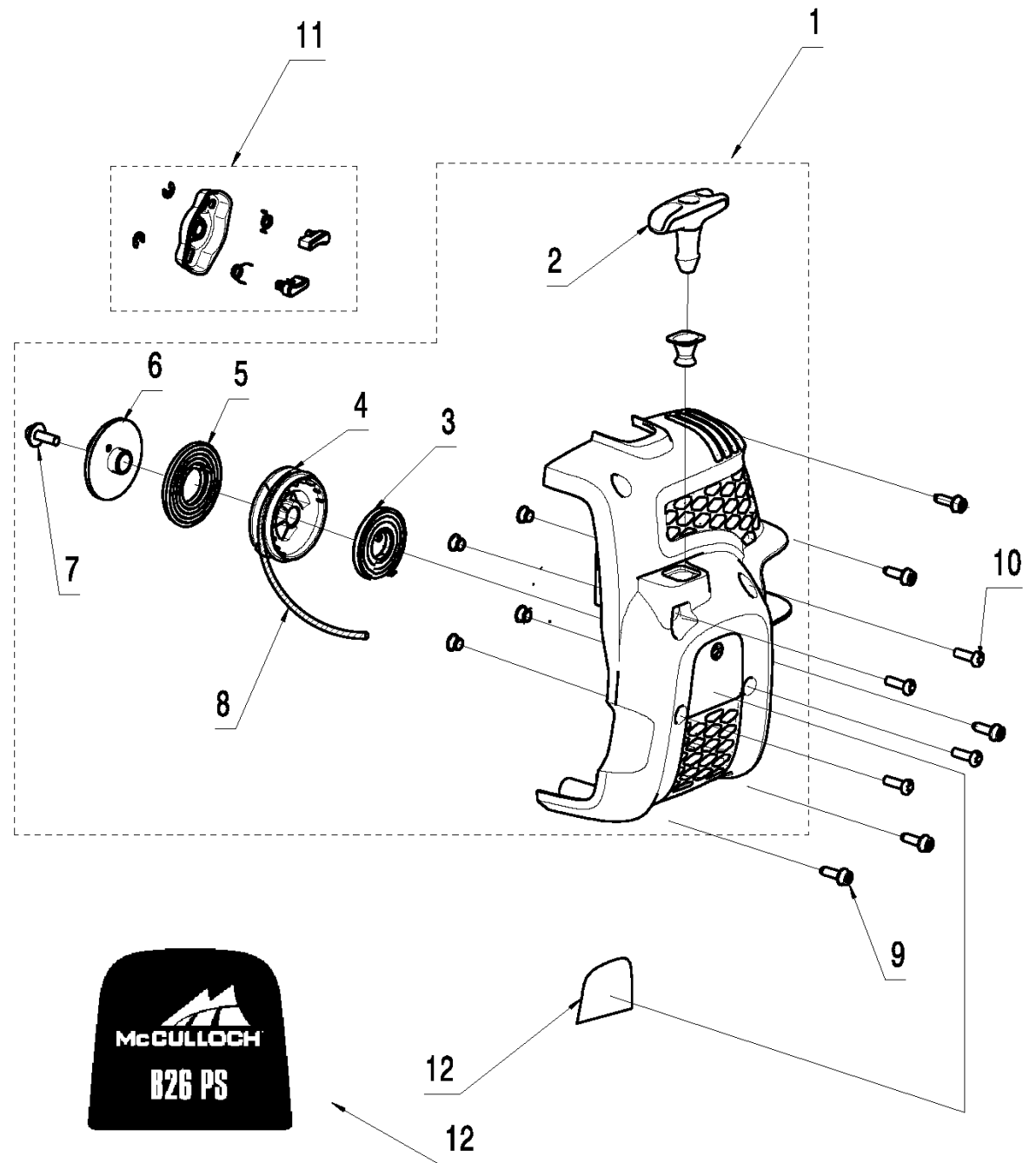


SHAFT & HANDLE

B26 PS, 967207801, 967147101, 2014-02

| Ref | Part No | Description | Remark | QTY | KIT |
|-----|--------------|------------------|--------|-----|-----|
| 1 | 530 01 58-20 | SCREW | | 1 | |
| 2 | 586 58 66-01 | HANDLE | | 1 | |
| 3 | 530 05 91-85 | CLAMP | | 1 | |
| 4 | 530 01 61-52 | WING NUT | | 1 | |
| 5 | 585 47 05-01 | DRIVE SHAFT ASSY | | 1 | |
| 6 | 574 18 21-01 | SCREW | | 1 | 5 |
| 7 | 585 68 52-01 | CLAMP | | 1 | 5 |
| 8 | 574 32 61-01 | LOOP | | 1 | |
| 9 | 576 78 97-01 | HARNESS | | 1 | |
| 10 | 574 32 22-02 | KNOB | | 1 | |

H B26PS
STARTER

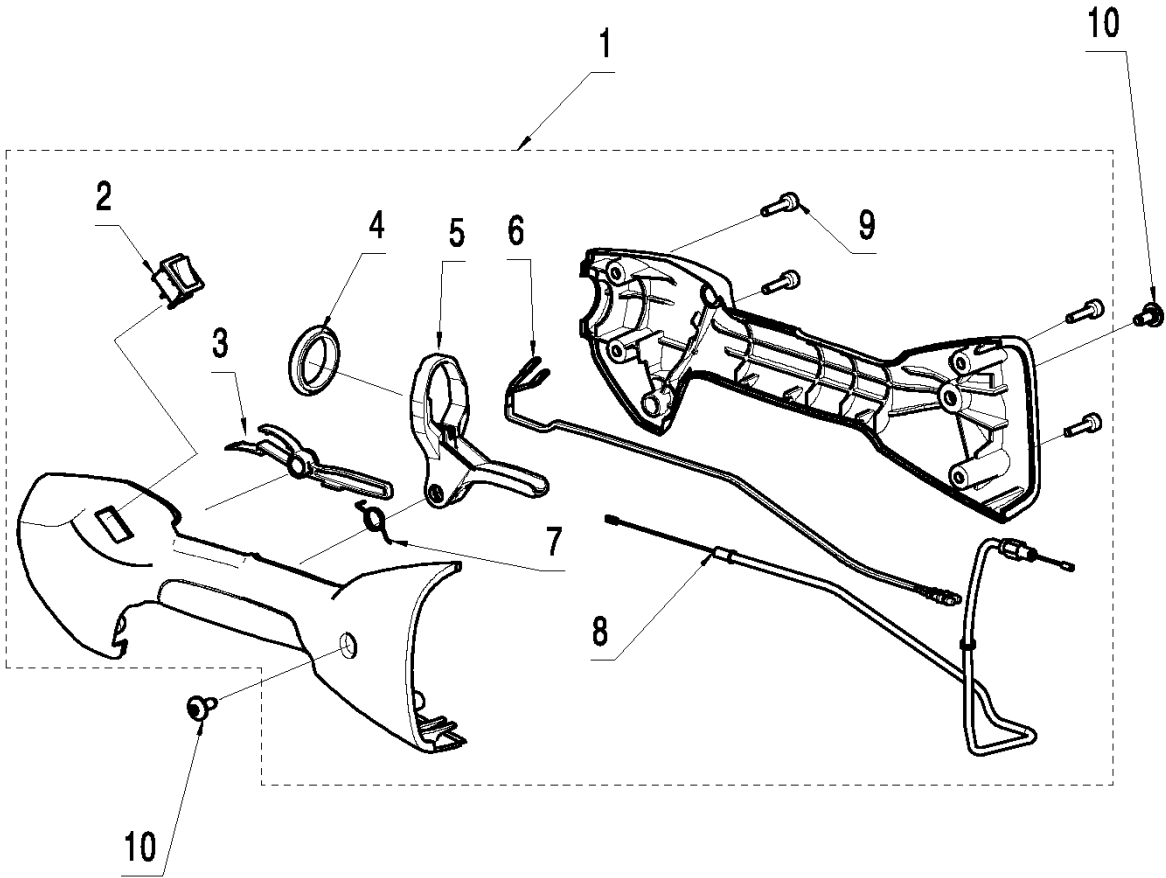


STARTER

B26 PS, 967207801, 967147101, 2014-02

| Ref | Part No | Description | Remark | QTY KIT |
|-----|--------------|----------------|--------|---------|
| 1 | 584 91 75-01 | STARTER ASSY | | 1 |
| 2 | 577 27 16-01 | STARTER HANDLE | | 1 |
| 3 | 503 85 90-01 | RECOIL SPRING | | 1 |
| 4 | 579 36 63-01 | PULLEY | | 1 |
| 5 | 578 46 51-01 | SPRING | | 1 |
| 6 | 585 30 14-01 | DRIVER | | 1 |
| 7 | 530 01 64-68 | SCREW | | 1 |
| 8 | 578 09 11-02 | STARTER ROPE | | 1 |
| 9 | 573 92 58-01 | SCREW ITXSCFT | | 5 |
| 10 | 525 75 51-01 | SCREW ITXSCFM | | 4 |
| 11 | 585 29 65-01 | BRIDGE | | 1 |
| 12 | 585 69 36-02 | DECAL | | 1 |

C B26PS
THROTTLE CONTROL



THROTTLE CONTROLS

B26 PS, 967207801, 967147101, 2014-02

| Ref | Part No | Description | Remark | QTY | KIT |
|-----|--------------|-----------------------|--------|-----|-----|
| 1 | 574 19 31-02 | HANDLE ASSY | | 1 | |
| 2 | 575 31 58-01 | STOP SWITCH | | 1 | 1 |
| 3 | 574 19 28-01 | THROTTLE LOCKOUT | | 1 | 1 |
| 4 | 574 82 44-01 | ANTIVIBRATION ELEMENT | | 1 | 1 |
| 5 | 585 96 69-01 | TRIGGER | | 1 | 1 |
| 6 | 574 48 88-01 | SHORT CIRCUIT CABLE | | 1 | 1 |
| 7 | 576 85 17-01 | SPRING | | 1 | 1 |
| 8 | 585 09 44-01 | THROTTLE ASSY | | 1 | 1 |
| 9 | 574 44 40-01 | SCREW ITXSCT | | 4 | 1 |
| 10 | 574 27 32-01 | SCREW ITXPANT | | 2 | |