

## B40 B Elite, B40 BT Elite



EN	Operator's manual	2-26
SV	Bruksanvisning	27-51
DA	Brugsanvisning	52-77
FI	Käyttöohje	78-103
NO	Bruksanvisning	104-128
FR	Manuel d'utilisation	129-156
NL	Gebruiksaanwijzing	157-183
IT	Manuale dell'operatore	184-210
ES	Manual de usuario	211-237
DE	Bedienungsanweisung	238-265
PT	Manual do utilizador	266-292
RU	Руководство по эксплуатации	293-321
BG	Ръководство за експлоатация	322-350
HU	Használati utasítás	351-377
PL	Instrukcja obsługi	378-404
ET	Kasutusjuhend	405-429
LV	Lietošanas pamācība	430-455
LT	Operatoriaus vadovas	456-481
SK	Návod na obsluhu	482-508
SR	Priručnik za rukovaoca	509-535
HR	Priručnik za korištenje	536-561
SL	Navodila za uporabo	562-587
BS	Korisnički priručnik	588-614
CS	Návod k použití	615-640
UK	Посібник користувача	641-668
RO	Instrucțiuni de utilizare	669-695
EL	Οδηγίες χρήσης	696-724
TR	Kullanım kılavuzu	725-750

---

## Contents

---

Introduction.....	2	Maintenance.....	21
Safety.....	4	Technical data.....	24
Assembly.....	12	EC Declaration of Conformity.....	26
Operation.....	15	.....	0

---

## Introduction

---

### Product description

This product is a brushcutter with a combustion engine.

Work is constantly in progress to increase your safety and efficiency during operation. Speak to your servicing dealer for more information.

### Intended use

Use the product with a saw blade, a grass blade or a trimmer head to cut different types of vegetation. Do not use the product for other tasks than grass trimming,

grass clearing and forestry clearing. Use a saw blade to cut fibrous types of wood. Use a grass blade or trimmer head to cut grass.

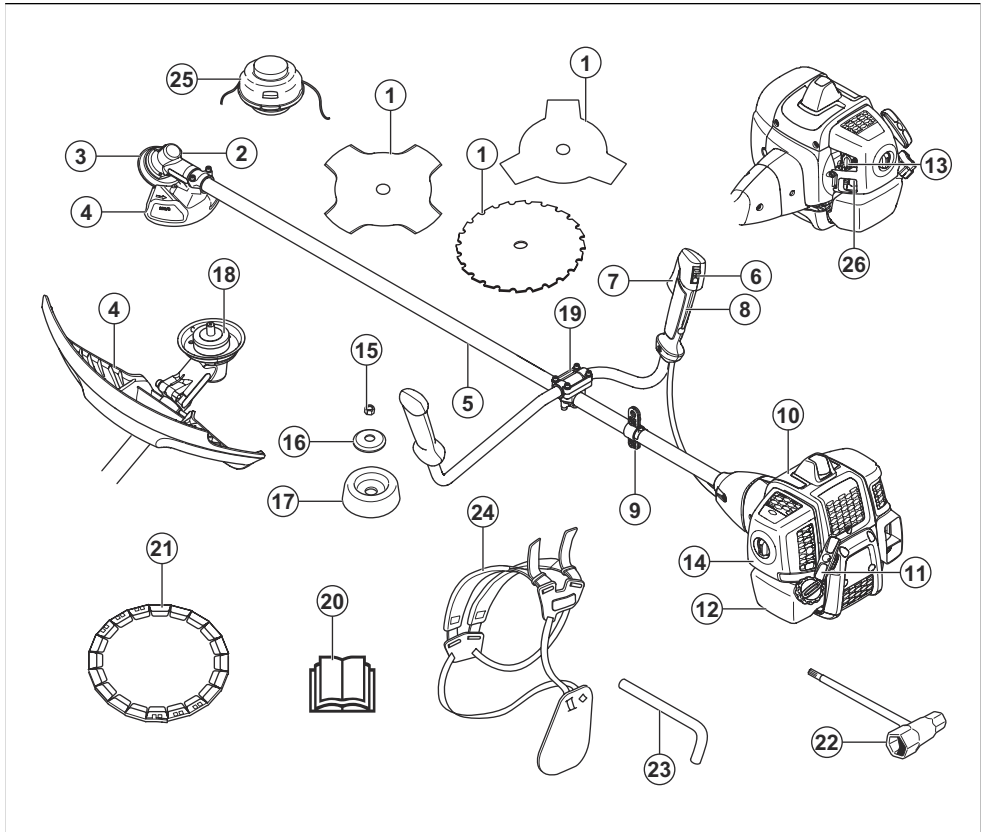
---

**Note:** National or local regulations can regulate the use. Comply to given regulations.

---

Only use the product with accessories that are approved by the manufacturer. Refer to *Technical data on page 24*.

## Product overview



1. Blade (not for all markets)
2. Grease filler cap, bevel gear
3. Bevel gear
4. Cutting attachment guard
5. Shaft
6. Stop switch
7. Throttle trigger
8. Throttle lockout
9. Suspension ring
10. Cylinder cover
11. Starter handle
12. Fuel tank
13. Choke control
14. Air filter cover
15. Locknut
16. Support flange
17. Support cup
18. Drive disc

19. Handlebar clamp
20. Operator's manual
21. Transport guard (not for all markets)
22. Socket wrench
23. Locking pin (for products without hex key)
24. Harness
25. Trimmer head
26. Air purge bulb

### Symbols on the product



**WARNING!** This product is dangerous. Injury or death can occur to the operator or bystanders if the product is not used carefully and correctly. To prevent injury to the operator or bystanders, read and obey all safety instructions in the operator's manual.



Read the operator's manual carefully and make sure that you understand the instructions before use.



Use a protective helmet in locations where objects can fall on you. Use approved hearing protection. Use approved eye protection.



Use approved protective gloves.



Use heavy-duty slip-resistant boots.



The product can cause objects to eject, which can cause injury.



Maximum speed of the output shaft.



Keep a minimum distance of 15 m/50 ft to persons and animals during operation of the product.



Risk of blade thrust if the cutting equipment touches an object that it does not immediately cut. The product can cut off body parts. Keep a minimum of 15 m/50 ft distance to persons and animals during operation of the product.



Only use a flexible cutting wire. Do not use metal cutting elements. Apply this for grass guard accessory.



The arrows shows the limit for the handle position.



Air purge bulb.



Fill fuel.



Choke.



Noise emissions to the environment according to European Directive 2000/14/EC and New South Wales legislation "Protection of the Environment Operations (Noise Control) Regulation 2017". Noise emission data can be found on the machine label and in *Technical data on page 24*.



The product agrees with the applicable EC directives.

yyyywwxxxx

The rating plate or the laser printing shows the serial number. **yyyy** is the production year, **ww** is the production week.

**Note:** Other symbols/decals on the product refer to certification requirements for other commercial areas.

## Product liability

As referred to in the product liability laws, we are not liable for damages that our product causes if:

- the product is incorrectly repaired.
- the product is repaired with parts that are not from the manufacturer or not approved by the manufacturer.
- the product has an accessory that is not from the manufacturer or not approved by the manufacturer.
- the product is not repaired at an approved service center or by an approved authority.

## Euro V Emissions



**WARNING:** Tampering with the engine voids the EU type-approval of this product.

# Safety

## Safety definitions

The definitions below give the level of severity for each signal word.



**WARNING:** Injury to persons.



**CAUTION:** Damage to the product.

---

**Note:** This information makes the product easier to use.

---

## General safety instructions

---



**WARNING:** Read the warning instructions that follow before you use the product.

---

- This product produces an electromagnetic field during operation. This field may under some circumstances interfere with active or passive medical implants. To reduce the risk of serious or fatal injury we recommend persons with medical implants to consult their physician and the medical implant manufacturer before operating this product.
- Do not use the product if you are tired, ill, or under the influence of alcohol, drugs or medicine. This has a negative effect on your vision, alertness, coordination and judgment.
- Do not operate the product in bad weather, such as dense fog, heavy rain, strong wind and intense cold. To operate the product in bad weather can make you tired and add risks, such as icy ground and unpredictable felling direction.
- Always be careful and use your common sense. If you feel uncertain about a work situation or the operating procedures after you read the operator's manual, speak to a servicing dealer before you continue.
- Remove the spark plug cap if you let the product out of view.

## Safety instructions for assembly

---



**WARNING:** Read the warning instructions that follow before you use the product.

---

- Use approved protective gloves when you assemble the product and cutting attachment.
- Remove the spark plug cap from the spark plug before you assemble the product.
- Make sure that the correct handlebar and cutting attachment guard are assembled before you operate the product.
- A defective or incorrect cutting attachment guard can cause injury. Do not use a cutting attachment without an approved cutting attachment guard.
- Attach the clutch cover and shaft correctly before you start the product.
- The drive disc and support flange must engage correctly in the center hole of the cutting attachment.

A cutting attachment that is attached incorrectly can cause injury or death.

- Attach the harness to the product to prevent injury to the operator or others.

## Safety instructions for operation

---



**WARNING:** Read the warning instructions that follow before you use the product.

---

- Learn and understand the difference between forestry clearing, grass clearing and grass trimming before you use the product.
- Use personal protective equipment, refer to *Personal protective equipment on page 6*.
- Long-term exposure to noise can result in permanent hearing loss. Always use approved hearing protection.
- Listen for warning signals and loud voices when you use hearing protection. Always remove your hearing protection when the engine stops.
- Never use the product if it is changed or defective.
- Make sure that the spark plug cap and ignition lead are not damaged to prevent the risk of electrical shock.
- Look around the work area to make sure that no persons, animals or objects have a negative effect on the safety of the operation of the product.
- Look around the work area to make sure that no persons or animals touch the cutting attachment or are hit by objects that are ejected from the cutting attachment.
- Do not use the product in a situation or location where you can not get aid if an accident occurs.
- Do not use the product without an approved cutting attachment guard.
- Make sure that persons or animals keep a distance of a minimum of 15 m/50 ft during work. Always look behind you before you turn around with the product. Stop the product immediately if a person or animal enters the 15 m/50 ft safety zone. If more than 1 operator does work in the same area, keep a safety distance of a minimum of 2 times the tree height and a minimum of 15 m/50 ft.
- Examine the work area. Avoid loose objects, such as stones, broken glass, nails, steel wire and string, that can eject or wind around the cutting attachment.
- Make sure that you can move safely and have a safe stance. Examine the area around you for obstacles

such as roots, rocks, branch and ditches. Be careful during work on slopes.



- Do not overreach. Keep a stable position of the feet and a good balance at all times.
- Before you start the product, put it on a flat surface, at a minimum of 3 m/10 ft from the fuel source and from where you fill fuel. Make sure that there are no objects near or touching the cutting attachment.
- If the cutting attachment rotates at idle speed, let a service agent adjust it. Do not use the product until it is adjusted or repaired.
- Look out for thrown objects. Always use approved eye protection and keep away from the cutting attachment guard. Stones and other small objects can eject into your eyes and cause blindness or other injuries.
- Do not put the product down with the engine on unless you have it in clear view.
- Do not remove the cut material, or let other persons remove cut material, while the engine is on or the cutting equipment rotates, as this can result in serious injury.
- Always stop the engine and make sure that the cutting equipment does not rotate before you remove material that is wound around the blade shaft or caught between the cutting attachment guard and the cutting attachment.
- Be careful when you remove material from around the cutting equipment. The bevel gear gets hot during operation and can cause burn injuries.
- The exhaust fumes from the engine are hot and can contain sparks. Risk of fire. Be careful around dry and flammable material.
- Never use the product indoors or in spaces lacking proper ventilation. Exhaust fumes contain carbon monoxide, an odourless, poisonous and highly dangerous gas.
- Stop the engine before you move to a new work area. Always attach the transport guard before you move the equipment.
- Overexposure to vibration can lead to circulatory damage or nerve damage in persons who have poor circulation. Speak to your physician if you experience symptoms of overexposure to vibration. Such symptoms include numbness, loss of feeling, tingling, pricking, pain, loss of strength, changes in

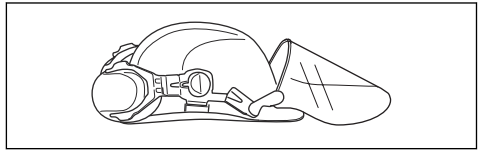
skin colour or condition. These symptoms usually show in the fingers, hands or wrists. The risk increases at low temperatures.

## Personal protective equipment

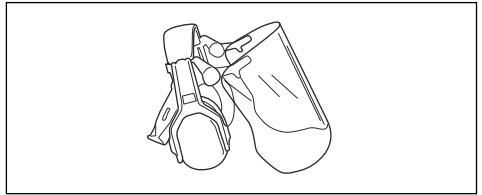


**WARNING:** Read the warning instructions that follow before you use the product.

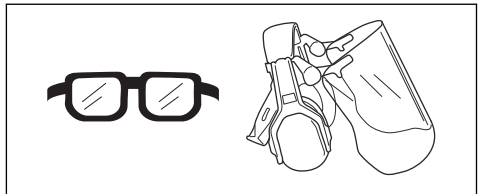
- Always use approved personal protective equipment when you use the product. Personal protective equipment cannot fully prevent injury but it decreases the degree of injury if an accident does occur. Let your dealer help you select the correct equipment.
- Use a helmet if the trees in the work area have a height of more than 2 m/6.5 ft.



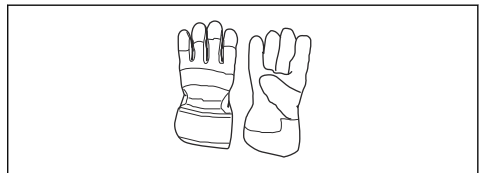
- Use approved hearing protection.



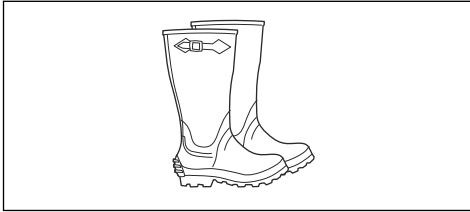
- Use approved eye protection. If you use a visor, you must also use approved protective goggles. Approved protective goggles must comply with the ANSI Z87.1 standard in the USA or EN 166 in EU countries.



- Use gloves when it is necessary, for example when you attach, examine or clean the cutting equipment.



- Use protective boots with steel toe-cap and non-slip soles.



- Use clothing made of a strong fabric. Always use heavy, long pants and long sleeves. Do not use loose clothing that can catch on twigs and branches. Do not use jewelry, short pants or sandals. Do not go with bare feet. Put your hair up safely above shoulder level.
- Keep first aid equipment near.



### Safety devices on the product

For information about where to find the safety devices, see *Cutting attachment guard on page 8*.



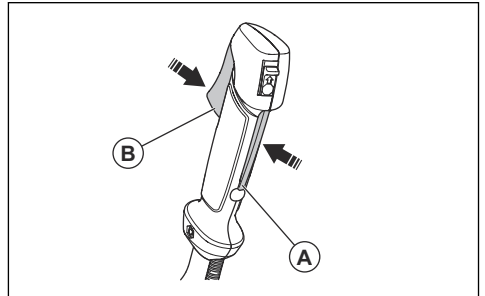
**WARNING:** Read the warning instructions that follow before you use the product.

- Do not use a product with defective safety devices. Do a check of and do maintenance on the safety devices regularly. If the safety devices are defective, speak to your McCulloch service agent.
- Do not make changes to safety devices. Do not use the product if protective covers, safety switches or other protective devices are not attached or are defective.
- For all service and repair work on the product, especially for the safety devices, special training is necessary. If the safety devices fail the checks given in this operator's manual, you must let a service agent help you. We guarantee that professional repairs and service is available. If your dealer is not a service agent, speak to them for information about the nearest service agent.
- Do not use a cutting attachment without an approved and correctly attached cutting attachment guard. See *Technical data on page 24*.

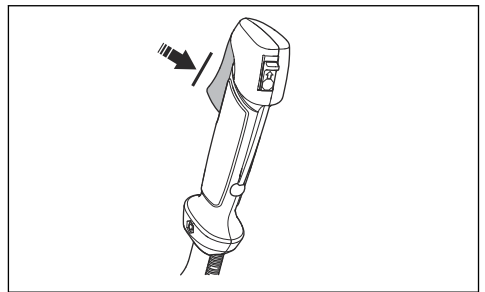
### To do a check of the throttle trigger lockout

The throttle lockout is designed to prevent accidental operation of the throttle control.

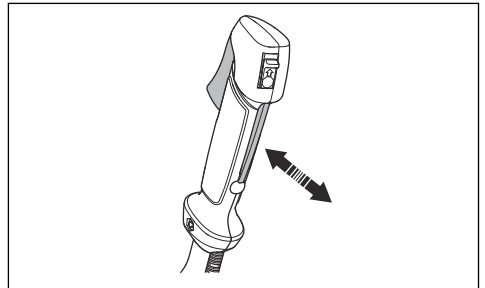
1. Press the throttle trigger lockout (A) and make sure that the throttle control is released (B). When you release the handle the throttle control and the throttle trigger lockout both move back to their initial positions. This movement is controlled by two return springs. This arrangement means that the throttle control is automatically locked at the idle setting.



2. Make sure that the throttle control is locked at the idle setting when the throttle trigger lockout is released.

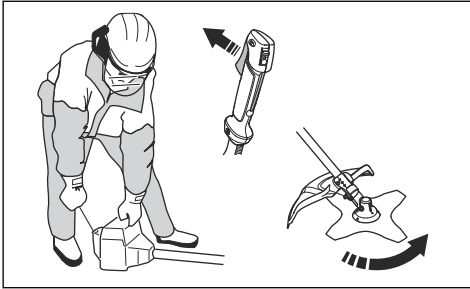


3. Press the throttle trigger lockout and make sure that it return to its initial position when you release it.



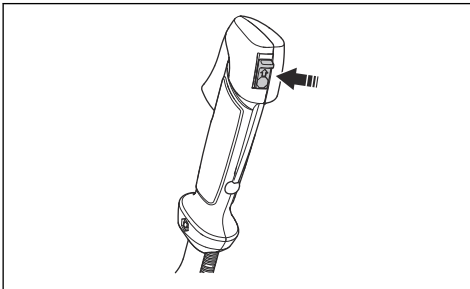
4. Do a check of the throttle control and throttle trigger lockout move freely and that the return springs work properly.
5. Start the product (refer to instructions under *To start and stop on page 16*) and apply full throttle.

- Release the throttle and make sure that the cutting attachment stops and remains at a standstill. Adjust the carburetor if the cutting attachment move with the throttle is in the idle position. Refer to the instructions in the chapter *To adjust the idle speed on page 22*.



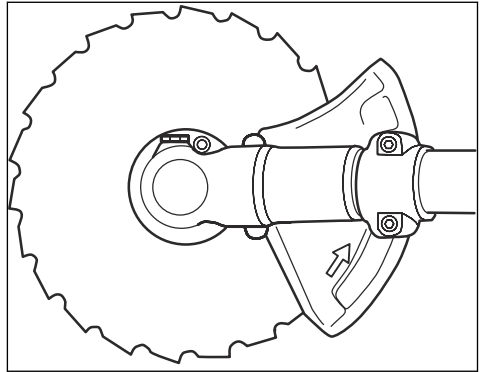
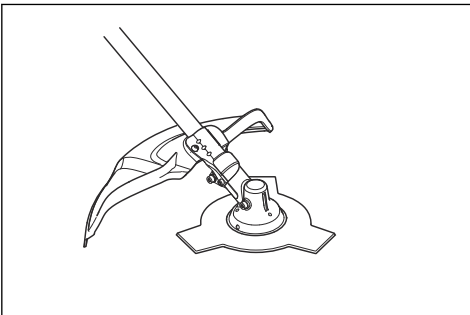
#### To do a check of the stop switch

- Start the engine.
- Move the stop switch to the stop position and make sure that the engine stops.



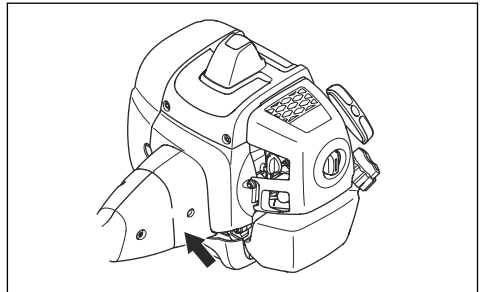
#### Cutting attachment guard

The cutting attachment guard prevents a loose object to eject in the direction of the operator. Examine the cutting attachment guard for damage and replace if it is damaged. Only use the approved guard for the cutting attachment.



#### To do a check of the vibration damping system

The vibration damping system decreases vibration in the handles to a minimum which makes the operation easier.



- Stop the engine.
- Do a visual check for deformation and damage, for example cracks.
- Make sure that the elements of the vibration damping system are attached correctly.

#### To do a check of the quick-release mechanism



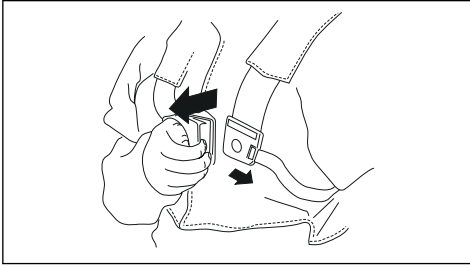
**WARNING:** Do not use a harness with a defective quick-release mechanism.

The quick-release mechanism lets the operator remove the product quickly from the harness if there is an emergency.

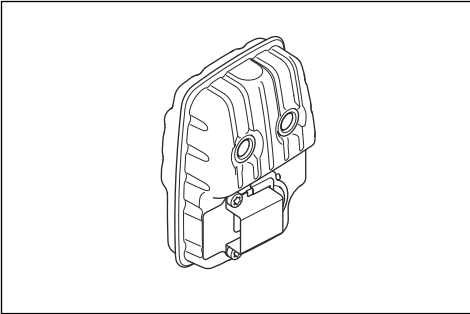
- Stop the engine.
- Do a visual check for damage, for example cracks.



3. Release and attach the quick-release mechanism to make sure that it operates correctly.



### Muffler



- Do not use an engine with a damaged muffler. A damaged muffler increases the noise level and the risk of fire. Keep a fire extinguisher near.
- Examine regularly that the muffler is attached to the product.
- Do not touch the engine or the muffler when then engine is on. Do not touch the engine or the muffler for a while after the engine stops. Hot surfaces can cause injuries.
- A hot muffler can cause a fire. Be careful, if you use the product near flammable liquids or fumes.
- Do not touch the parts in the muffler, if the muffler is damaged. The parts can contain some carcinogenic chemicals.
- Clean the spark arrestor with regular intervals if the product have a spark arrestor. 🔧

### To attach and remove the locknut

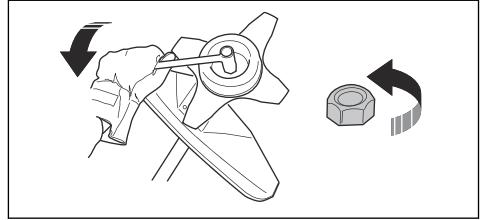


**WARNING:** Stop the engine, use protective gloves and be careful around the sharp edges of the cutting attachment.

A locknut is used to attach some types of cutting attachments. The locknut has a left thread.

- To attach, tighten the locknut in the opposite direction to the direction of turning of the cutting attachment.

- To remove the locknut, loosen the locknut in the same direction as the cutting attachment rotates.
- To loosen and tighten the locknut, use a socket wrench with a long shaft. The arrow in the picture shows the area where you can operate the socket wrench.



**WARNING:** When you loosen and tighten the locknut, there is a risk of injury from the blade. You must always make sure that the blade guard prevents injury to your hand when you do this.

**Note:** Make sure that you can not turn the locknut by hand. Replace the nut if the nylon lining does not have a resistance of a minimum of 1.5 Nm. The locknut must be replaced after it has been put on approximately 10 times.

### Cutting equipment

Choose and maintain the cutting equipment to:

- Obtain maximum cutting performance.
- Increase life span of the cutting equipment.
- Follow the checking, maintenance and service instructions for the muffler.
- Always use the recommended guard for the cutting equipment. See Technical data.



**WARNING:** Only use cutting attachments with the guards we recommend! See the chapter on Technical data. Refer to the instructions for the cutting attachment to check the correct way to load the trimmer line and the correct trimmer line diameter.



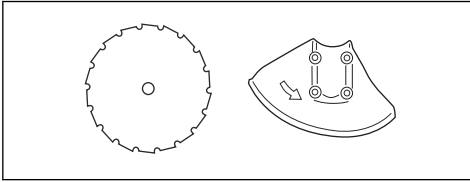
**WARNING:** A faulty cutting attachment may increase the risk of accidents.



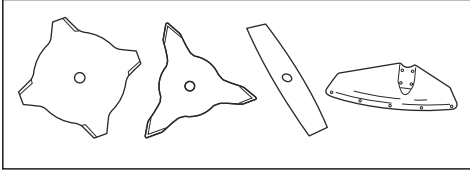
**WARNING:** Always stop the engine before doing any work on the cutting attachment. This continues to rotate even after the throttle has been released. Ensure that the cutting attachment has stopped completely and disconnect the spark plug cap before you start to work on it.

## Cutting equipment

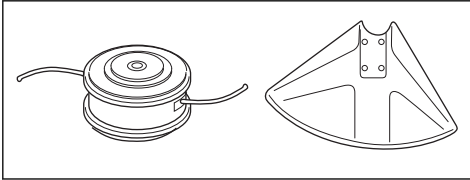
- Use the saw blade to cut fibrous types of wood.



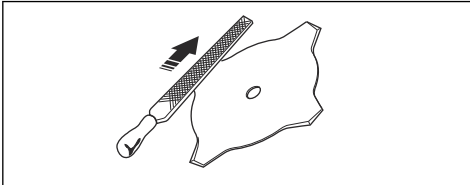
- Use the blades and grass knives to cut coarse grass.



- Use the trimmer head to cut grass.



- An incorrectly sharpened or damaged blade increases the risk of accidents. Keep the teeth of the blade correctly sharpened. Obey the instructions in *To sharpen grass cutters and grass blades on page 10* and use the recommended file gauge.

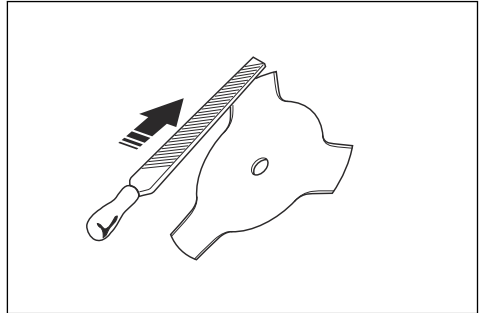


- Examine the cutting attachment for damage and cracks. Replace the damaged cutting attachment.
- Only use cutting attachments with recommended guards. Refer to *Technical data on page 24*.

## Blades

- Use the product with an approved blade. Do not use a blade without proper installation of all required parts. Make sure that the installation is done correctly and that the proper parts are used. Improper installation may cause the blade to fly off and seriously injure the operator or bystanders.
- Wear protective gloves when you handle the blade or do maintenance.
- Use head protection when you operate a product with a blade.

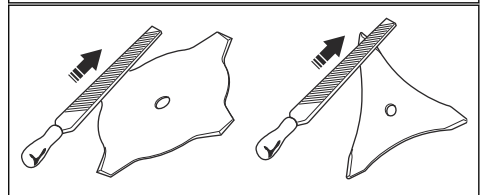
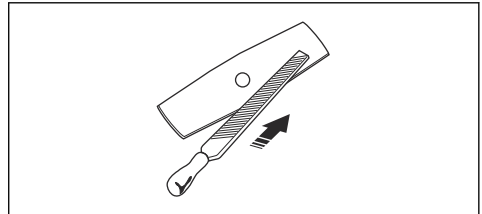
- A blade can cause injury when it spins after the engine is stopped or the throttle trigger is released. Make sure that the blade has completely stopped rotating before maintenance.
- Stop the engine before you do work on the cutting attachment. Make sure the cutting attachment fully stops. Disconnect the lead from the spark plug.
- Keep the teeth of the blade correctly sharpened.



- Do not use a damaged cutting attachment.
- Attach the transport guard to the blade when you transport or store the product.

## To sharpen grass cutters and grass blades

- Sharpen all edges of the grass cutters and blades equally to keep the balance. Use a single-cut flat file.



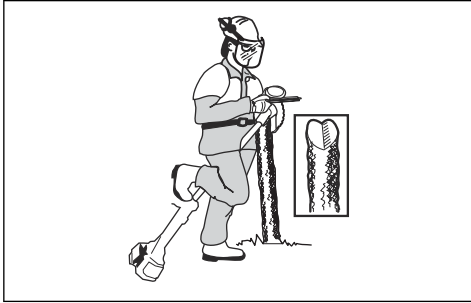
## To sharpen the saw blade



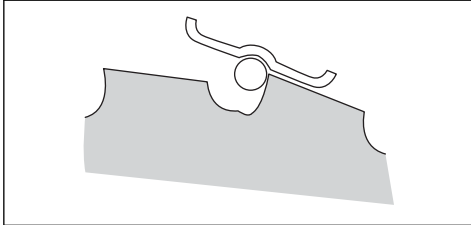
**WARNING:** Stop the engine. Use protective gloves.

- To sharpen the blade correctly, refer to the instructions that come with the blade.

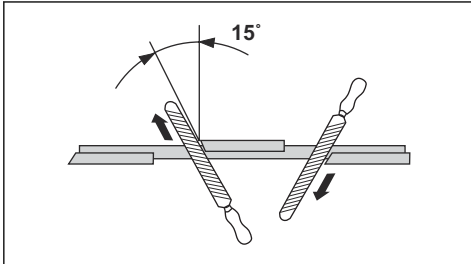
- Make sure that the product and blade has sufficient support when you sharpen it.



- Use a 5.5 mm (7/32 in) round file with a file holder.

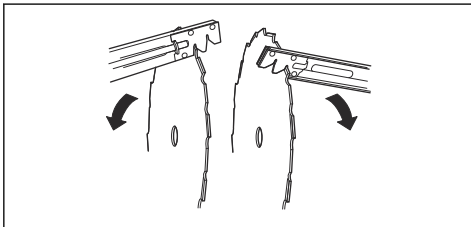


- Hold the file at an angle of 15°.
- Sharpen one tooth of the saw blade to the right and the next tooth to the left, see the illustration.



**Note:** Sharpen the edges of the teeth with a flat file if the blade is heavily worn. Continue to sharpen with a round file.

- Sharpen all edges equally to keep the blade balanced.
- Adjust the blade set to 1 mm (0.04 in) with the recommended setting tool. Refer to the instructions that come with the blade.

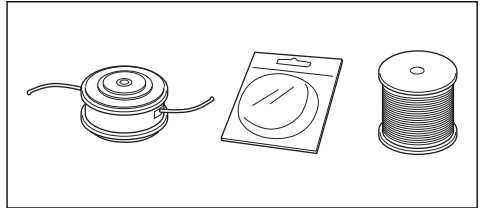


**WARNING:** Always discard a blade that is damaged. Do not try to make a bent or twisted blade straight and use it again.

#### Trimmer head



**WARNING:** Always make sure the trimmer line is wound tightly and evenly around the drum to prevent harmful vibration.



- Only use recommended trimmer heads and trimmer lines.
- Only use recommended cutting attachments.
- Smaller machines requires small trimmer heads and vice versa.
- The length of the trimmer line is important. A longer trimmer line requires greater engine power than a shorter trimmer line of the same diameter.
- Make sure that the cutter on the trimmer guard is intact. This cuts the trimmer line to the correct length.
- Soak the trimmer line in water for a couple of days before use to increase the life length.

#### Fuel safety

- Do not start the product if there is fuel or engine oil on the product. Remove the unwanted fuel/oil and let the product dry. Remove unwanted fuel from the product.
- If you spill fuel on your clothing, change clothing immediately.
- Do not get fuel on your body, it can cause injury. If you get fuel on your body, use a soap and water to remove the fuel.
- Do not start the engine if you spill oil or fuel on the product or on your body.
- Do not start the product if the engine has a leak. Examine the engine for leaks regularly.
- Be careful with fuel. Fuel is flammable and the fumes are explosive and can cause injuries or death.
- Do not breathe in the fuel fumes, it can cause injury. Make sure that there is a sufficient airflow.
- Do not smoke near the fuel or the engine.
- Do not put warm objects near the fuel or the engine.
- Do not add the fuel when the engine is on.
- Make sure that the engine is cool before you refuel.

- Before you refuel, open the fuel tank cap slowly and release the pressure carefully.
- Do not add fuel to the engine in an indoor area. Not sufficient airflow can cause injury or death because of asphyxiation or carbon monoxide.
- Tighten the fuel tank cap carefully or a fire can occur.
- Move the product at a minimum of 3 m (10 ft) from the position where you filled the tank before a start.
- Do not put too much fuel in the fuel tank.
- Make sure that a leak cannot occur when you move the product or fuel container.
- Do not put the product or a fuel container where there is an open flame, spark or pilot light. Make sure that the storage area does not contain an open flame.

- Only use approved containers when you move the fuel or put the fuel into storage.
- Empty the fuel tank before long-term storage. Obey the local law on where to dispose fuel.
- Clean the product before long-term storage.
- Remove the spark plug cable before you put the product into storage to make sure that the engine does not start accidentally.

## Safety instructions for maintenance

- If you cannot adjust the idle speed to make the cutting attachment stop, speak to your service center. Do not use the product until the product is correctly adjusted or repaired.

---

## Assembly

---



**WARNING:** Read the safety chapter before you assemble the product.

### Introduction



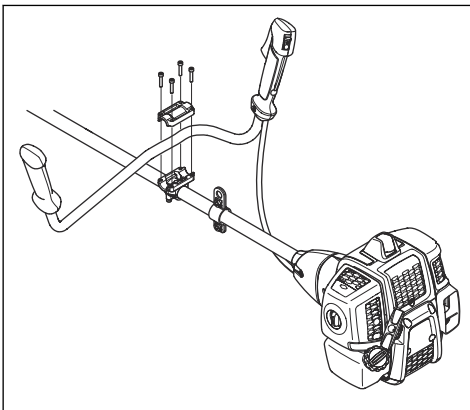
**WARNING:** Before you assemble the product, you must read and understand the safety chapter.



**WARNING:** Remove the spark plug cable from the spark plug before you assemble the product.

### To install the handlebar

1. Attach the handlebar onto the mounting bracket as shown.



### To install blades and trimmer heads



**WARNING:** Only use the approved guard for the blades. See *Technical data on page 24*. A defective guard can cause injury.

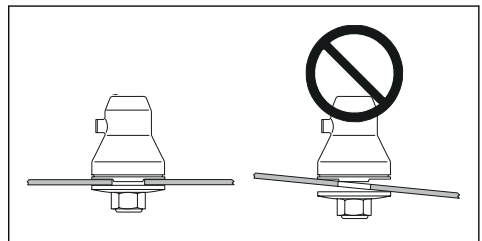


**WARNING:** If you operate the product with a grass blade, first install the correct handlebar, blade guard and harness .



**WARNING:** If you do not install the the blades correctly, it can cause injury.

1. Make sure that the lifted section on the drive disc/ support flange engages correctly in the center hole of the blades.
2. Install the blades.



### To install the blade guard, grass blade and grass cutter

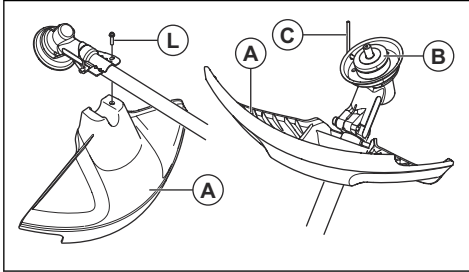


**CAUTION:** Only use the approved guard for the blades. See the operator's manual.

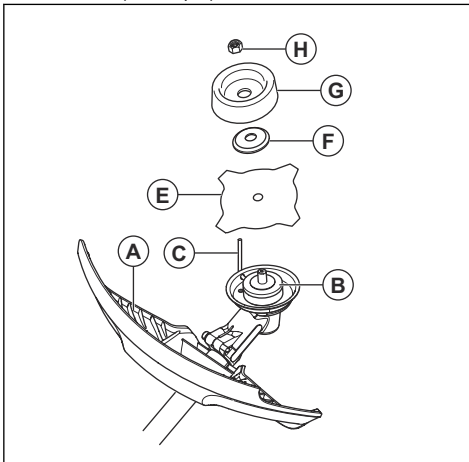


**CAUTION:** Make sure that the guard extension is removed.

1. Attach the blade guard/cutting attachment guard (A) onto the shaft and tighten with the bolt (L).



2. Install the drive disc (B) on the output shaft.
3. Turn the output shaft until one of the holes in the drive disc aligns with the related hole in the gear housing.
4. Put the locking pin (C) in the hole to lock the shaft.
5. Put the blade (E), support flange (F) and the support cup (G) on the output shaft.
6. Install the nut (H). Hold the shaft of the wrench near the blade guard as much as possible. To tighten the nut, you must turn the wrench in the opposite direction of rotation. Tighten the nut to a torque of 35-50 Nm (3.5-5 kpm).

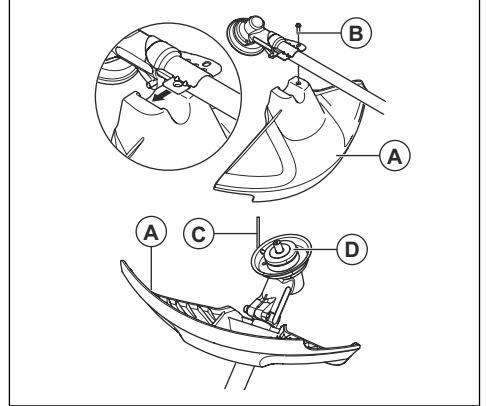


**Note:** Left hand thread.

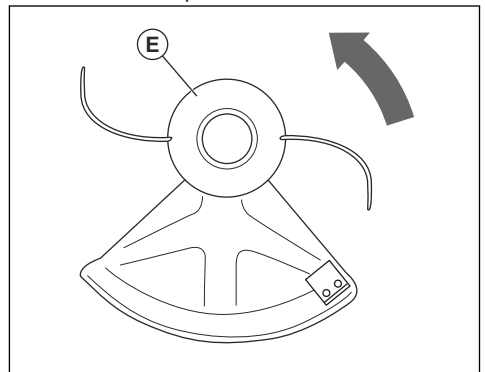
## To attach the trimmer guard and the trimmer head

**Note:** Make sure to use the correct trimmer guard for the correct trimmer head.

1. Attach the correct trimmer guard/combination guard (A) for the trimmer head.
2. Install the trimmer guard/combination guard around the shaft and tighten it with the bolt (B). Use the locking pin or hex key (C).



3. Put the locking pin or hex key (C) in the groove on the screw head and tighten.
4. Attach the drive disc (D) on the output shaft.
5. Turn the output shaft until one of the holes in the drive disc aligns with the hole in the gear housing.
6. Install the locking pin or hex key (C) in the hole to lock the shaft.
7. Assemble the trimmer head/plastic blades (E). Turn the trimmer head/plastic blades counterclockwise.



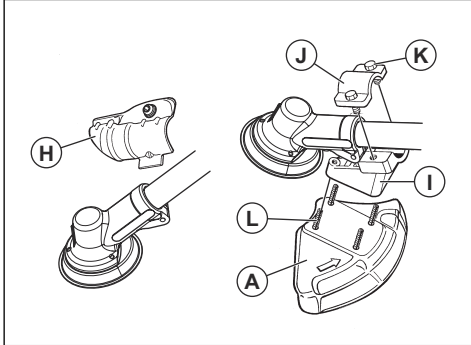
8. To disassemble, follow the instructions in the opposite sequence.

## To install a blade guard and saw blade

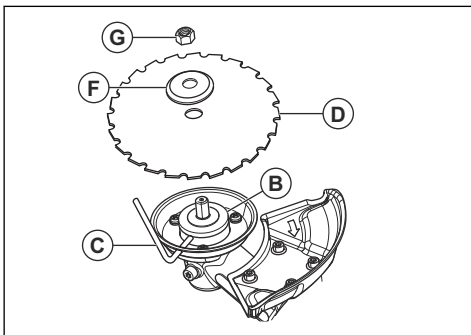


**CAUTION:** Only use the approved guard for the blades. See *Technical data on page 24*.

1. Remove the mounting plate (H).
2. Install the adapter (I) and bracket (J) with the two screws (K).
3. Install the blade guard (A) to the adapter using the 4 screws (L).

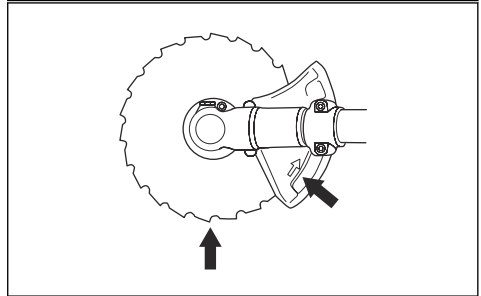
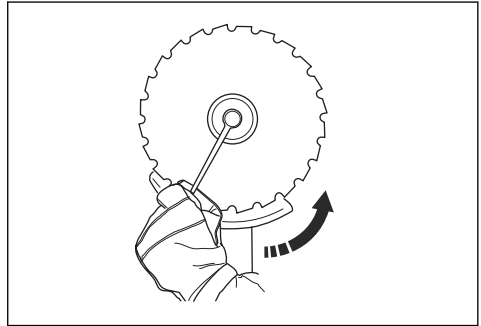


4. Install the drive disc (B) on the output shaft.
5. Turn the blade shaft until one of the holes in the drive disc aligns with the corresponding hole in the gear housing.
6. Insert the locking pin (C) in the hole to lock the shaft.
7. Put the blade (D) and support flange (F) on the output shaft.
8. Install the nut (G). The nut must be tightened to a torque of 35-50 Nm (3.5-5kpm). Use the socket wrench in the tool kit. Hold the shaft of the wrench as close to the blade guard as possible. To tighten the nut, turn the wrench in opposite direction to the direction of rotation.



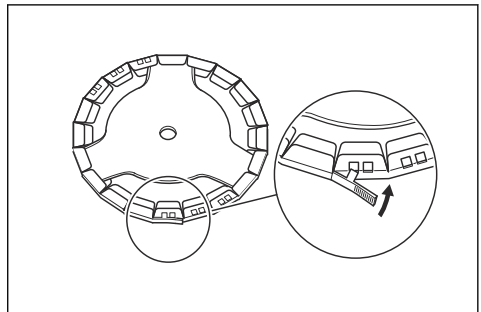
**Note:** Left hand thread.

9. When loosening and tightening the saw blade nut, there is a risk of injury from the teeth of the saw blade. Therefore always ensure that your hand is shielded by the blade guard. Always use a socket wrench with a shaft that is long enough to allow this. The arrow in the diagram shows the area where you should operate the socket wrench when loosening or tightening.



## To attach the transport guard

1. Attach the transport guard on the blade as shown in the illustration.



## To adjust the harness



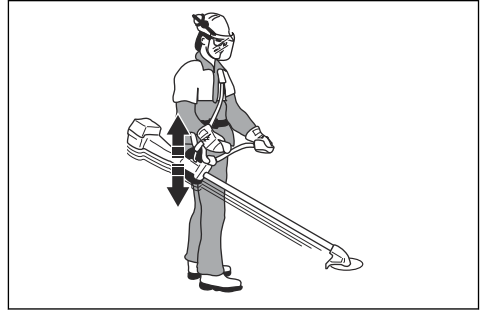
**WARNING:** The product must always be correctly attached to the harness. If not, you cannot control the product safely and this can result in injury to you or others. Do

not use a defective harness. Do not use a harness with a defective quick release.

1. Put on the harness.
2. Connect the product to the harness.
3. Adjust the harness for the best work position.
4. Adjust the side straps to make the product weigh equally on your shoulders.



5. Adjust the harness until the cutting attachment is parallel to the ground.



6. Let the cutting attachment stay lightly on the ground. Adjust the harness clamp to balance the product correctly.

**Note:** If you use a grass blade, it must balance approximately 10 cm /4 in above the ground.

## Operation



**WARNING:** Read and understand the safety chapter before you operate the product.



**CAUTION:** Do not use gasoline with an octane grade less than 90 RON/87 AKI. Use of a lower octane grade can cause engine knocking, which causes engine damages.

## Introduction



**WARNING:** Before you operate the product, you must read and understand the safety chapter.

## Two-stroke oil

- For best results and performance use McCulloch two-stroke oil.
- If McCulloch two-stroke oil is not available, use a two-stroke oil of good quality for air-cooled engines. Speak to your servicing dealer to select the correct oil.

## Fuel

This product has a two-stroke engine.



**CAUTION:** Incorrect type of fuel can result in engine damage. Use a mixture of gasoline and two-stroke oil.



**CAUTION:** Do not use two-stroke oil for water-cooled outboard engines, also referred to as outboard oil. Do not use oil for four-stroke engines.

## Premixed fuel

- Use McCulloch premixed alkylate fuel for best performance and extension of the engine life. This fuel contains less harmful chemicals compared to regular fuel, which decreases harmful exhaust fumes. The quantity of remains after combustion is lower with this fuel, which keeps the components of the engine more clean.

## To mix fuel

### Gasoline

- Use good quality unleaded gasoline with a maximum of 10% ethanol contents.

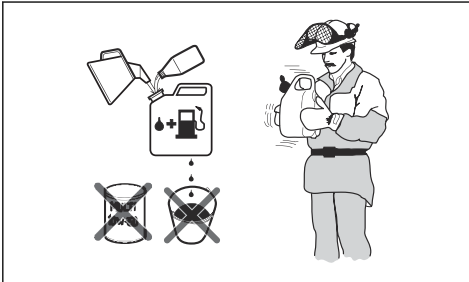
## To mix gasoline and two-stroke oil

Gasoline, liter	Two-stroke oil, liter
	<b>2% (50:1)</b>
5	0.10
10	0.20
15	0.30
20	0.40

US gallon	US fl. oz.
1	2 ½
2 1/2	6 ½
5	12 ¾



**CAUTION:** Small errors can influence the ratio of the mixture drastically when you mix small quantities of fuel. Measure the quantity of oil carefully and make sure that you get the correct mixture.



1. Fill half the quantity of gasoline in a clean container for fuel.
2. Add the full quantity of oil.
3. Shake the fuel mixture.
4. Add the remaining quantity of gasoline to the container.
5. Carefully shake the fuel mixture.



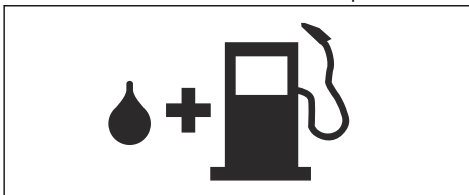
**CAUTION:** Do not mix fuel for more than 1 month at a time.

### To fill the fuel tank



**WARNING:** Obey the procedure that follows for your safety.

1. Stop the engine and let the engine become cool.
2. Clean the area around the fuel tank cap.



3. Shake the container and make sure that the fuel is fully mixed.

4. Remove the fuel tank cap slowly to release the pressure.
5. Fill the fuel tank.



**CAUTION:** Make sure that there is not too much fuel in the fuel tank. The fuel expands when it becomes hot.

6. Tighten the fuel tank cap carefully.
7. Clean fuel spillage on and around the product.
8. Move the product 3 m/10 ft or more away from the refueling area and fuel source before you start the engine.

**Note:** To see where the fuel tank is on your product, refer to *Product overview on page 3*.

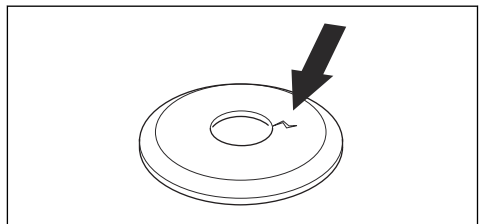
## To start and stop

### Before you operate the product

- Examine the work area to make sure that you know the type of terrain, the slope of the ground and if there are obstacles such as stones, branches and ditches.
- Do an overhaul inspection of the product.
- Do the safety inspections, maintenance and servicing that are given in this manual.
- Make sure that all covers, guards, handles and the cutting equipment are correctly attached and not damaged.
- Make sure that there are no cracks at the bottom of the saw blade or grass blade teeth or by the center hole of the blade. Replace the blade if it is damaged.



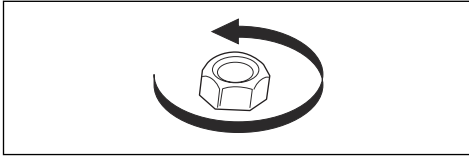
- Examine the support flange for cracks. Replace the support flange if it is damaged.



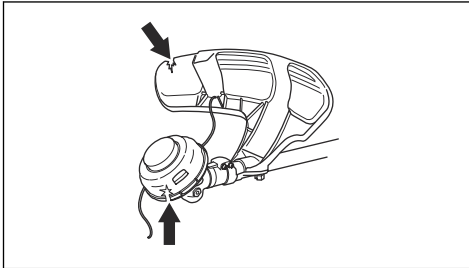
- Make sure that the locknut can not be removed by hand. If you can remove it by hand, it does not lock



the cutting attachment sufficiently and you must replace it.

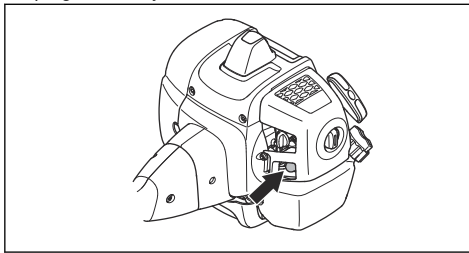


- Examine the blade guard for damages or cracks. Replace the blade guard if it has been hit or if it has cracks.
- Examine the trimmer head and cutting attachment guard for damages or cracks. Replace the trimmer head and cutting attachment guard if they have been hit or if they have cracks.

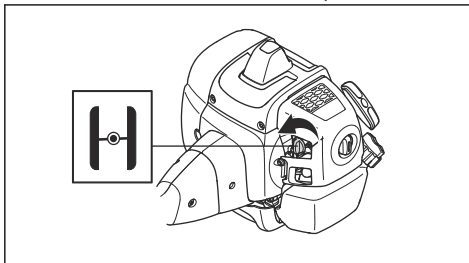


### To start the engine

1. Put the product on a flat and stable surface. Keep the cutting attachment off the ground.
2. Push the air purge bulb again and again until fuel starts to fill the bulb. It is not necessary to fill the air purge bulb fully.

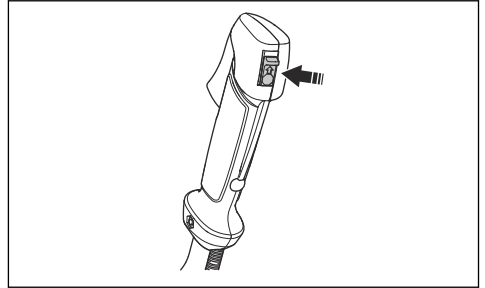


3. Move the choke lever to the choke position.

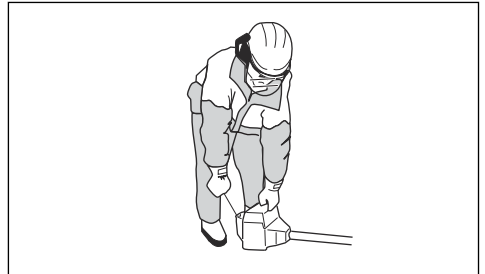


**WARNING:** The cutting attachment starts to rotate immediately when you start the engine with the choke.

4. Set the start/stop switch to the RUN position.



5. Hold the body of the product on the ground with your left hand.



6. Hold the starter rope handle with your right hand.
7. Slowly pull out the starter rope with your right hand until you feel some resistance.



**WARNING:** Do not twist the starter rope around your hand.

8. Pull the cord quickly and with force. Pull the starter rope again and again until the engine starts.

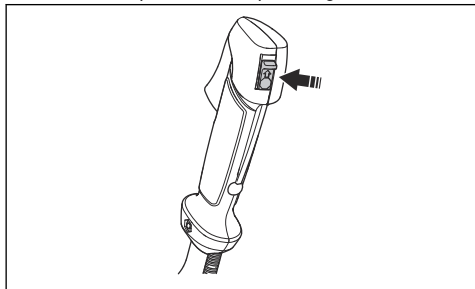


**CAUTION:** Do not pull the starter rope to full extension and do not let go of the starter rope handle when the starter rope is fully extended. This can cause damage to the product.

9. Reset the choke when the engine fires.
10. Operate the throttle gradually when the engine starts.
11. Make sure that the engine runs smoothly and let the engine become warm for 1-2 minutes before operation.

## To stop the product

- Push the stop switch to stop the engine.



## Blade thrust

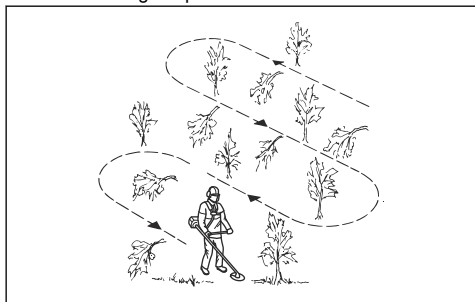
- A blade thrust is a sudden movement of the product to the side, forward or rearward. A blade thrust occurs when the grass blade hits an object that cannot be cut. In areas where it is not easy to see the material being cut the risk of blade thrust increases.
- When a blade thrust occurs, there is a risk that the product or the operator moves out of position. A blade that moves can hit bystanders and there is a risk of injuries.
- If a blade is bent, has cracks, is broken or damaged, discard the blade.
- Use a sharp blade. The risk of blade thrust increases when a blade is not sharp.

## General work instructions



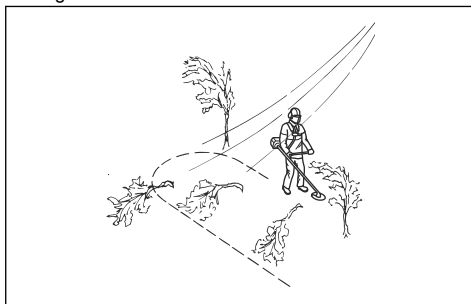
**WARNING:** Be careful when you cut a tree that is in tension. It can spring back to its normal position before or after the cut and hit you or the product, and cause injury.

- Clear an open space at one end of the work area, and start the work from there.
- Move in a regular pattern across the work area.



- Move the product fully to the left and right, to clear a width of 4–5 m on each turn.
- Clear a length of 75 m before you turn and go back. Move the fuel can along with you as you continue.

- Move in a direction where you do not go across ditches and obstacles more than necessary.
- Move in a direction where the wind makes the cut vegetation fall in the cleared area.



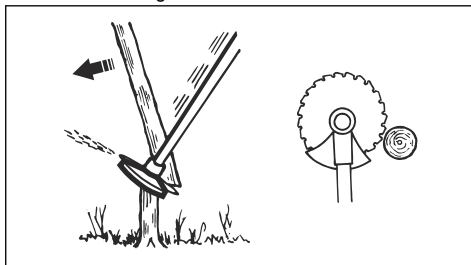
- Move along slopes, not up and down.

## Forestry clearing with a saw blade

### To fell a tree to the left

To fell to the left, push the bottom of the tree to the right.

1. Apply full throttle.
2. Put the saw blade against the tree as given in the picture.
3. Tilt the saw blade and push it with force diagonally down to the right. At the same time, push the tree with the blade guard.

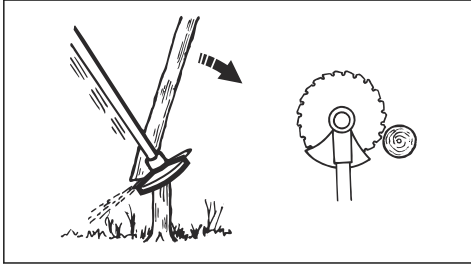


### To fell a tree to the right

To fell to the right, push the bottom of the tree to the left.

1. Apply full throttle.
2. Put the saw blade against the tree as given in the picture.

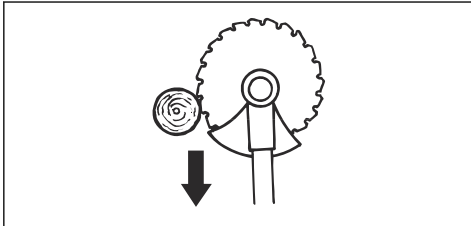
3. Tilt the saw blade and push it with force diagonally up and to the right. At the same time, push the tree with the blade guard.



### To fell a tree forward

To fell forward, push the bottom of the tree rearward.

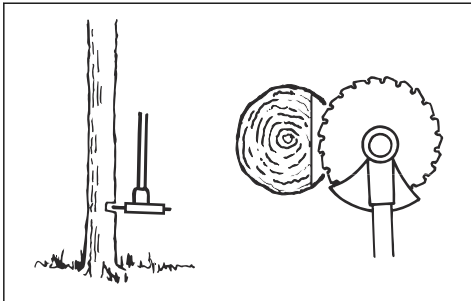
1. Apply full throttle.
2. Put the saw blade against the tree as given in the picture.
3. Pull the saw blade forward with a fast movement.



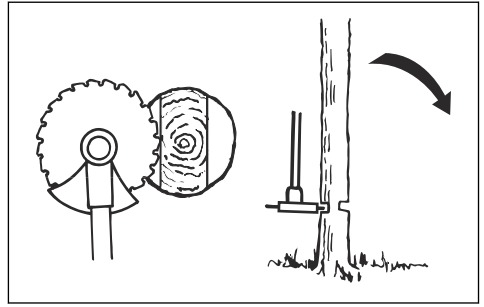
### To fell large trees

Large trees must be cut from 2 sides.

1. Examine in which direction the tree will fall.
2. Apply full throttle.
3. Do the first cut on the side of the tree to which it will fall.



4. Cut through the tree from the other side.



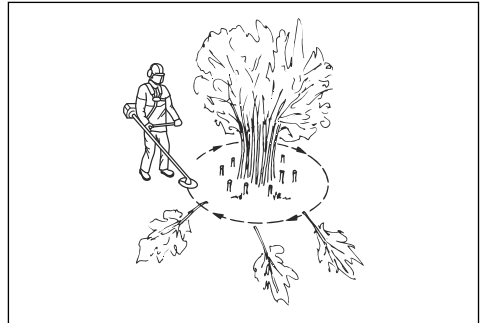
**CAUTION:** If the saw blade becomes blocked, do not pull the product with a sudden movement. That can cause damage to the saw blade, bevel gear, shaft or handlebar. Release the handles, hold the shaft with 2 hands and carefully pull the product.

**Note:** Use more cutting pressure to fell small trees. Use less cutting pressure to fell large trees.

### Brush cutting with a saw blade

To fell to the left, push the bottom of the tree to the right.

- Cut down thin trees and brush.
- Move the product from side to side.
- Cut many trees in one movement.
- For groups of thin trees:



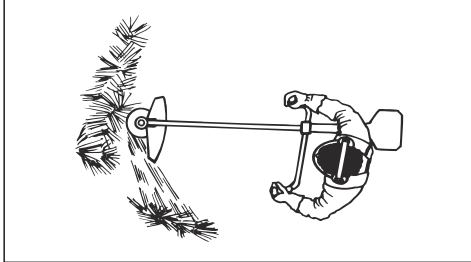
- a) Cut the outer trees high up.
- b) Cut the outer trees to the correct height.
- c) Cut from the center. If you cannot get access to the center, cut the outer trees high up and let them fall. This decreases the risk that the saw blade becomes blocked.

## Grass clearing with a grass blade



**CAUTION:** Do not use grass blades and grass knives on wood. Use grass blades and grass knives for long or heavy grass only.

- Move the product from side to side.
- Start the movement from right to left when you cut. Move the product to the right before you cut again.
- Cut with the left side of the grass blade.

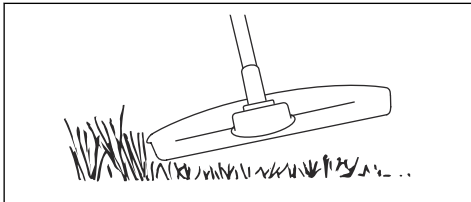


- Angle the grass blade to the left to make the grass fall in a line. This makes it easy to collect the grass.
- Keep a stable position with your feet apart.
- Move forward after each right movement and make sure that you have a stable position again before you cut again.
- Keep the support cup with a light pressure against the ground to make sure that the grass blade does not hit the ground.
- Obey these instructions to decrease the risk that cut material winds around the grass blade:
  - a) Apply full throttle.
  - b) Do not move the grass blade through cut material when you move the product from left to right.
- Before you collect the cut material, stop the engine and remove the product from the harness. Put the product down on the ground.

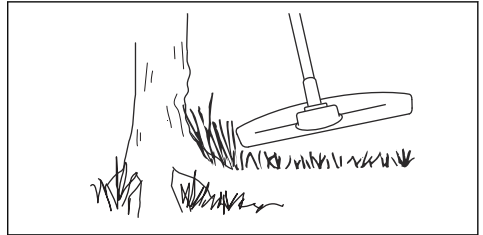
## Grass trimming with a trimmer head

### To trim the grass

1. Hold the trimmer head immediately above the ground at an angle. Do not push the trimmer line into the grass.



2. Decrease the length of the trimmer line by 10-12 cm / 4-4.75 in.
3. Decrease the engine speed to decrease the risk of damage to plants.
4. Use 80 % throttle when you cut grass near objects.



### To clear grass

1. Keep the trimmer head above the ground.
2. Tilt the trimmer head.
3. Cut with the end of the trimmer line around objects in the work area.

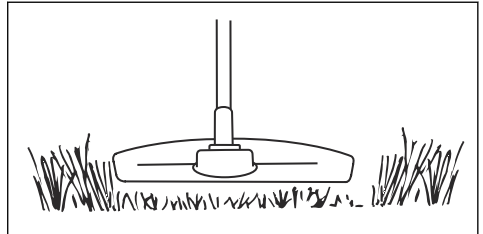


**CAUTION:** Cut grass. Other objects that are hit by the trimmer line, increases the wear on the trimmer line.

4. Use 80% speed when you cut and clear vegetation. This decreases the wear on the trimmer head and trimmer line.

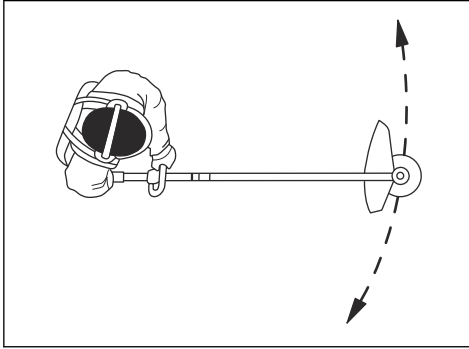
### To cut the grass

1. Make sure that the trimmer line is parallel to the ground when you cut the grass.



2. Do not push the trimmer head to the ground. This can cause damage to the product.

3. Move the product from side to side when you cut grass. Use full speed.



### To sweep the grass

The airflow from the rotating trimmer line can be used to remove cut grass from an area.

1. Hold the trimmer head and the trimmer line parallel to the ground and above the ground.
2. Apply full throttle.
3. Move the trimmer head from side to side and sweep the grass.



**WARNING:** Clean the trimmer head cover each time you assemble new trimmer line to prevent unbalance and vibrations in the handles. Also do a check of the other parts of the trimmer head and clean it if necessary.

## Maintenance

### Introduction



**WARNING:** Read and understand the safety chapter before you do maintenance on the product.

### Maintenance schedule

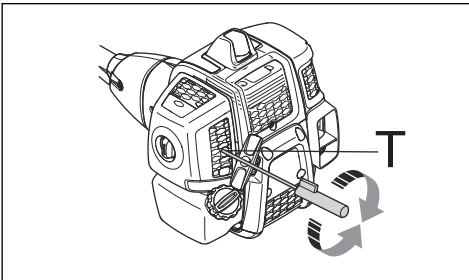
Maintenance	Daily	Weekly	Monthly
Clean the external surface.	X		
Examine the harness for damages.	X		
Do a check of the throttle trigger lockout and the throttle trigger. Refer to <i>To do a check of the throttle trigger lockout on page 7.</i>	X		
Examine the handle and the handlebar for damages and make sure that they are attached correctly.	X		
Do a check of the stop switch. Refer to <i>To do a check of the stop switch on page 8.</i>	X		
Make sure that the cutting attachment does not rotate at idle speed.	X		
Clean the air filter. Replace it if it is damaged.	X		
Examine the cutting attachment guard for damages and cracks.	X		
Make sure that the saw blade or grass blade is attached correctly. Make sure that the saw blade or grass blade is sharp and not damaged.	X		
Examine the trimmer head for damages and cracks. Replace it if it is damaged.	X		
Tighten the locknut fully for cutting attachments with a locknut.	X		
Examine the transport guard for damage and make sure that it can be attached correctly.	X		
Tighten nuts and screws.	X		
Examine the engine, the fuel tank and the fuel lines for leaks.	X		

Maintenance	Daily	Weekly	Monthly
Examine the starter and the starter rope for damages.		X	
Examine the spark plug. Refer to <i>To examine the spark plug on page 24</i> . Replace the spark plug if it is necessary. Make sure that the spark plug is fitted with a suppressor.		X	
Clean the external surface of the carburetor and the area around it.		X	
Make sure that the bevel gear is filled correctly with grease. Refer to <i>Bevel gear on page 23</i> .		X	
Examine the fuel filter for contamination and the fuel hose for cracks and other defects. Replace if it is necessary.			X
Examine all cables and connections.			X
Replace the spark plug. Make sure that the spark plug is fitted with a suppressor.			X

## To adjust the idle speed

The high speed needle and the low speed needle are permanently set and cannot be adjusted. The idle speed is the only function that can be adjusted.

1. Start the engine and make sure that it is run warm before you start to adjust the idle speed.
2. Turn the idle speed screw clockwise until the cutting attachment starts to rotate.



3. Turn the idle speed screw counterclockwise until the cutting attachment stops.
4. The idle speed must be below the speed when the cutting attachment starts to rotate. The idle speed is correct when the engine operates smoothly in all positions.

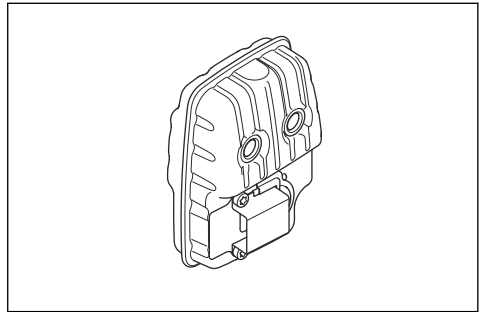
## To do maintenance on the muffler

The muffler decreases the noise level and points the exhaust gases away from the operator.

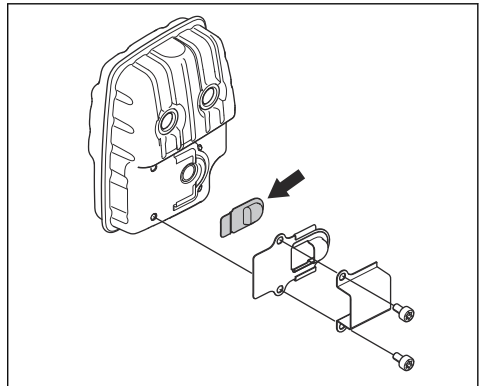


**WARNING:** Mufflers that have catalytic converters get very hot during operation and will stay hot for some time after you stop the product. This also applies at idle speed. If you touch the product it can result in burns to the skin. Think about of the risk of fire.

1. Stop the product and let it cool down.
2. Remove the muffler.



3. Remove the screws that holds the spark arrestor screen.



4. Clean the spark arrestor screen if it is blocked or replace it if it is damaged.



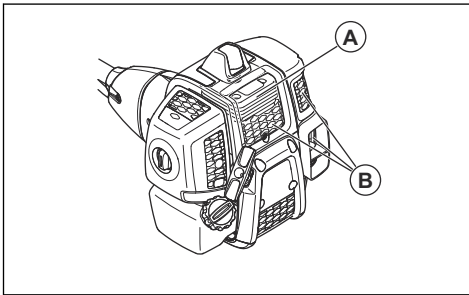
**CAUTION:** The spark arrestor screen must be replaced if it is damaged. Do not use a product if the spark arrestor screen on the muffler is missing or defective.



**CAUTION:** If the spark arrestor screen is frequently blocked it can be a sign that performance of the catalytic converter is decreased. Turn to your servicing dealer to examine the muffler. A blocked spark arrestor screen will cause overheating and result in damage to the cylinder and piston.

## To clean/do maintenance on the cooling system

This product has a cooling system. A dirty or blocked cooling system can make the product too hot which can damage the piston and cylinder. Check and clean the cooling system with a brush one time each week or more frequently in demanding conditions. The cooling system have cooling fins on the cylinder (A) and air intake (B).



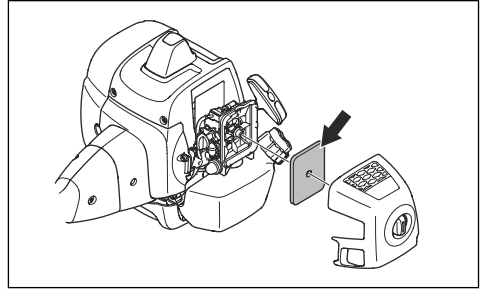
### Air filter

A dirty air filter can cause carburetor malfunction, start problems, loss of engine power and wear to engine parts. It also makes the engine use more fuel than necessary. Clean the filter at an interval of 8 hours, or more frequently if the product is operated in a dusty environment.

**Note:** An engine adjustment can be necessary when the air filter has been cleaned or replaced. See *To adjust the idle speed on page 22*.

## To clean and examine the air filter

1. Remove the air filter.



2. Clean the felt air filter with compressed air.

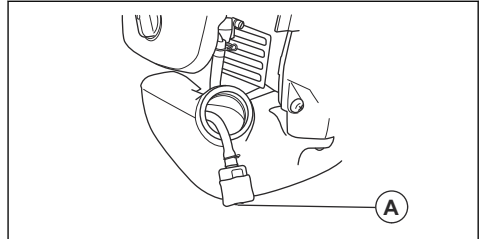


**CAUTION:** Replace the felt air filter if it cannot be fully cleaned. Always replace a damaged felt air filter.

3. Clean the inner surface of the air filter cover. Use compressed air or a brush.

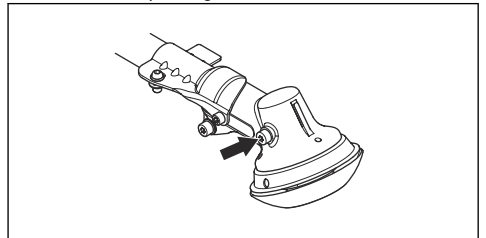
## Fuel filter

When the engine runs short of fuel, make sure that the air hole in the fuel tank cap and the fuel filter (A) are clean.



## Bevel gear

The bevel gear is filled with the correct quantity of grease at the factory. But, before you use the product, make sure that the bevel gear is 3/4 full with grease. Use McCulloch special grease.



It is not necessary to replace the grease in the bevel gear unless the bevel gear is repaired.

## To examine the spark plug

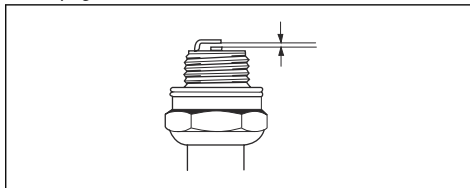


**CAUTION:** Always use the recommended spark plug type. Incorrect spark plug type can cause damage to the product.

- Examine the spark plug if the engine is low on power, is not easy to start or does not operate correctly at idle speed.
- To decrease the risk of unwanted material on the spark plug electrodes, obey these instructions:
  - a) Make sure that the idle speed is correctly adjusted.

- b) Make sure that the fuel mixture is correct.
- c) Make sure that the air filter is clean.

- If the spark plug is dirty, clean it and make sure that the electrode gap is correct, refer to *Technical data on page 24*.



- Replace the spark plug if it is necessary.

## Technical data

	B40 B Elite	B40 BT Elite
<b>Engine</b>		
Cylinder displacement, cm <sup>3</sup>	40.1	40.1
Cylinder diameter, Ø mm	40.5	40.5
Cylinder stroke length, mm	31.1	31.1
Idle speed, rpm	3000	3000
Recommended max. speed, rpm	12000	12000
Speed of output shaft, rpm	8220	8220
Max. engine output, according to ISO 8893, kW @ rpm	1.5 @ 9000	1.5 @ 9000
<b>Ignition system</b>		
Spark plug	NGK CMR7H-10	NGK CMR7H-10
Electrode gap, mm	0.9-1.0	0.9-1.0
<b>Fuel and lubrication system</b>		
Manufacturer/type of carburetor	Ruixing H225D-	Ruixing H225D-
Fuel tank capacity, l/cm <sup>3</sup>	1 / 1000	1 / 1000
<b>Weight</b>		
Without fuel, cutting attachment and guard, kg	7.3	7.4
<b>Noise emissions<sup>1</sup></b>		
Sound power level, measured dB(A)	112	112
Sound power level, guaranteed L <sub>WA</sub> dB(A)	118	118

<sup>1</sup> Noise emissions in the environment measured as sound power (L<sub>WA</sub>) in conformity with EC directive 2000/14/EC. Reported sound power level for the machine has been measured with the original cutting attachment that gives the highest level. The difference between guaranteed and measured sound power is that the guaranteed sound power also includes dispersion in the measurement result and the variations between different machines of the same model according to Directive 2000/14/EC.



	B40 B Elite	B40 BT Elite
<b>Noise levels<sup>2</sup></b>		
Equivalent sound pressure level at the operator's ear, measured according to EN ISO 11806 and ISO 22868, dB(A), min./max.		
Equipped with trimmer head (original)	100	100
Equipped with grass blade (original)	99	99
Equipped with saw blade (original)	–	99
<b>Vibration levels<sup>3</sup></b>		
Equivalent vibration levels ( $a_{hv,eq}$ ) at handles, measured according to EN ISO 11806 and ISO 22867, m/s <sup>2</sup>		
Equipped with trimmer head (original), left / right	3.4 / 4.4	3.4 / 4.4
Equipped with grass blade (original), left / right	5.2 / 5.1	5.2 / 5.1
Equipped with saw blade (original), left / right	–	4.5 / 4.2

B40 B Elite, B40 BT Elite		
Approved accessories	Type	Cutting attachment guard, Art. no.
Centre hole in blades/cutters, Ø 25,4 mm		
Output shaft thread M12		
Grass blade/grass cutter	Grass blade 255-4 1" (Ø 255 4-teeth)	580 30 50-01
	Grass blade 255-3 (Ø 255 3 teeth)	580 30 50-01
Saw blade	Saw blade 200-22 (Ø 200-22 teeth)	581 33 84-01
Trimmer head	P35	580 30 50-01
Support cup	Fixed	–

<sup>2</sup> Reported data for equivalent sound pressure level has a typical statistical dispersion (standard deviation) of 1 dB (A).

<sup>3</sup> Reported data for vibration level has a typical statistical dispersion (standard deviation) of 1 m/s<sup>2</sup>.

---

# EC Declaration of Conformity

---

## EC Declaration of Conformity

**Husqvarna AB**, SE-561 82 Huskvarna, Sweden, tel: +46-36-146500, declares that the trimmer **McCulloch B40 B Elite** with serial numbers dating from 2021 onwards (the year is clearly stated on the rating plate, followed by the serial number), comply with the requirements of the COUNCIL'S DIRECTIVE:

- of May 17, 2006 "relating to machinery" **2006/42/EC**
- of February 26, 2014 "relating to electromagnetic compatibility" **2014/30/EU**
- of May 8, 2000 "relating to the noise emissions in the environment" **2000/14/EC**. Conformity assessment according to Annex V. For information relating to noise emissions, see the Technical data chapter.
- of June 8, 2011 "on the restriction of the use of certain hazardous substances in electrical and electronic equipment" **2011/65/EU**.

The following standards have been applied:

**EN ISO 12100:2010, CISPR 12:2007+A1:2009, EN ISO 14982:2009, EN ISO 11806-1:2011, EN IEC 63000:2018**

RISE SMP Svensk Maskinprovning AB, Box 7035, SE-750 07 Uppsala, Sweden has performed voluntary type examination on behalf of Husqvarna AB. The certificates are numbered: **SEC/12/2339** - B40 B Elite, B40 BT Elite

RISE SMP Svensk Maskinprovning AB has also verified agreement with appendix V of the council's directive 2000/14/EG.

Huskvarna, 2020-08-25



Pär Martinsson, Development Manager (Authorized representative for Husqvarna AB and responsible for technical documentation)

---

## Innehåll

---

Introduktion.....	27	Underhåll.....	46
Säkerhet.....	29	Tekniska data.....	49
Montering.....	37	EG-försäkran om överensstämmelse.....	51
Drift.....	40	.....	0

---

## Introduktion

---

### Produktbeskrivning

Produkten är en buskröjare med förbränningsmotor.

Arbetet med att öka din säkerhet och effektivitet under användning pågår ständigt. Prata med en serviceverkstad för mer information.

### Avsedd användning

Använd produkten med en sågklinga, en gräsklinga eller ett trimmerhuvud för att klippa olika typer av vegetation.

Använd inte produkten till andra uppgifter än grästrimming, gräsröjning och skogsröjning. Använd en sågklinga för att skära av vedartade träslag. Använd en gräsklinga eller ett trimmerhuvud för att klippa gräs.

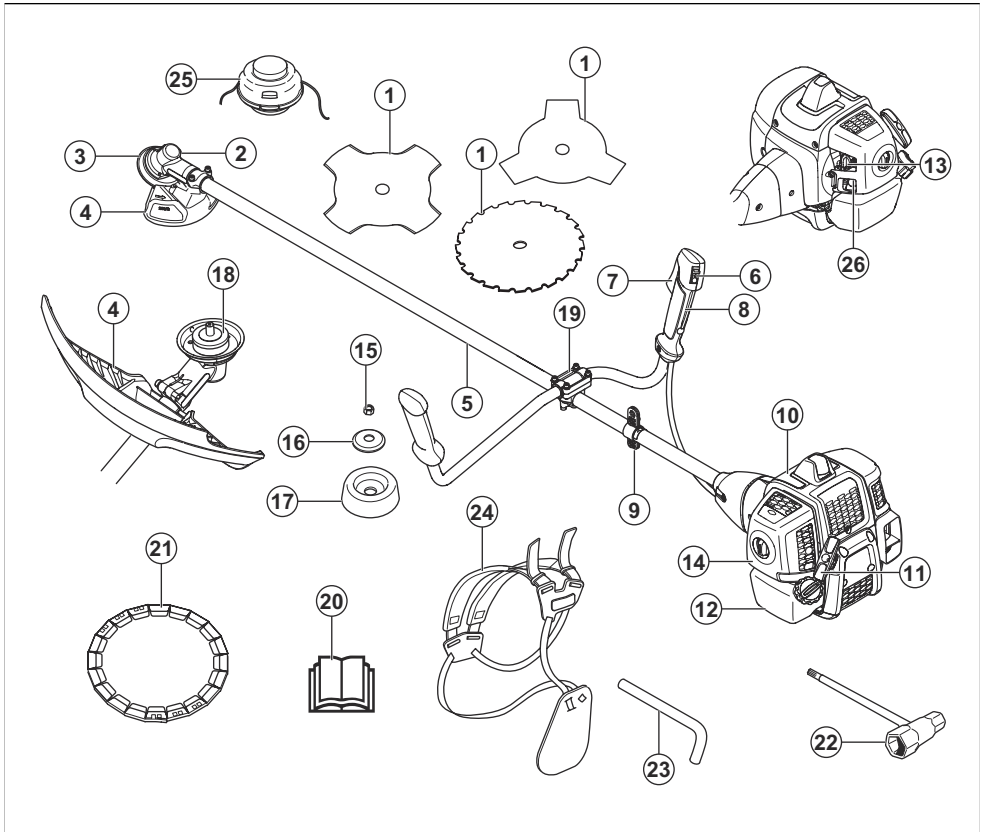
---

**Notera:** Nationella eller lokala föreskrifter kan reglera användningen. Följ givna föreskrifter.

---

Använd endast produkten med tillbehör som är godkända av tillverkaren. Se *Tekniska data på sida 49*.

## Produktöversikt



1. Klinga (inte för alla marknader)
2. Påfyllning av smörjmedel, vinkelväxel
3. Vinkelväxel
4. Skydd för skärutrustning
5. Riggör
6. Stoppkontakt
7. Gasreglage
8. Gasreglagespärr
9. Upphångningsögla
10. Cylinderkäpa
11. Startsnörets handtag
12. Bränsletank
13. Chokereglage
14. Luftfilterlock
15. Kontramutter
16. Stödfläns
17. Stödkopp
18. Medbringare

19. Styrklämma
20. Bruksanvisning
21. Transportskydd (inte för alla marknader)
22. Hylsnyckel
23. Lås-pinne (för produkter utan insexnyckel)
24. Sele
25. Trimmerhuvud
26. Bränslepumpblåsa

### Symboler på produkten



**WARNING!** Denna produkt är farlig. Skador eller dödsfall kan inträffa för användaren eller människor runt omkring om produkten inte används försiktigt och korrekt. För att förhindra att användaren eller människor runt omkring skadas ska du läsa och följa alla säkerhetsinstruktioner i bruksanvisningen.



Läs igenom bruksanvisningen noggrant och se till att du förstår instruktionerna innan användning.



Använd skyddshjälm på platser där föremål kan falla ner. Använd godkända hörselskydd. Använd godkänt ögonskydd.



Använd godkända skyddshandskar.



Använd kraftiga hals säkra kängor.



Produkten kan göra att föremål slungas ut, vilket kan orsaka skador.



Maximalt varvtal för utgående axel.



Håll ett avstånd på minst 15 m till personer och djur när du använder produkten.



Risk för kast om skärutrustningen kommer i kontakt med ett föremål som det inte omedelbart skär av. Produkten kan skära av kroppsdelar. Håll ett avstånd på minst 15 m till personer och djur när du använder produkten.



Använd endast en flexibel skärtråd. Använd inte skärdelar av metall. Tillämpa detta för grässkyddstillbehör.



Pilarna visar gränsen för handtagets läge.



Bränslepumpblåsa.



Fyll på bränsle.



Choke.



Emission av buller i miljön enligt EU-direktiv 2000/14/EG och New South Wales "Protection of the Environment Operations (Noise Control) Regulation 2017". Information om bulleremission finns på maskinens etikett och i *Tekniska data* på sida 49.



Produkten överensstämmer med gällande EG-direktiv.

ååååvxxxx

Typskylten eller laserskriften visar serienumret. åååå är produktionsåret och vv är produktionsveckan.

**Notera:** Övriga symboler/dekaler på produkten avser specifika krav för certifieringar på andra kommersiella marknader.

## Produktansvar

Enligt lagstiftningen för produktansvar ansvarar vi inte för skador som vår produkt orsakar om:

- produkten repareras felaktigt
- produkten repareras med delar som inte kommer från tillverkaren eller inte har godkänts av tillverkaren
- produkten har ett tillbehör som inte kommer från tillverkaren eller inte har godkänts av tillverkaren
- produkten inte repareras vid ett godkänt servicecenter eller av en godkänd person.

## Euro V-utsläpp



**WARNING:** Manipulering av motorn upphäver EG-typgodkännandet för den här produkten.

## Säkerhet

### Säkerhetsdefinitioner

Definitionerna nedan beskriver allvarlighetsgraden för varje signalord.



**WARNING:** Personskador.



**OBSERVERA:** Skador på produkten.

---

**Notera:** Denna information gör produkten lättare att använda.

---

## Allmänna säkerhetsanvisningar

---



**VARNING:** Läs varningsinstruktionerna nedan innan du använder produkten.

---

- Denna produkt alstrar ett elektromagnetiskt fält under drift. Detta fält kan under vissa omständigheter ge påverkan på aktiva eller passiva medicinska implantat. För att reducera risken för omständigheter som kan leda till allvarliga eller livshotande skador rekommenderar vi därför personer med implantat att rådgöra med läkare samt tillverkaren av det medicinska implantatet innan denna produkt används.
- Använd aldrig produkten om du är trött, sjuk eller om du är påverkad av alkohol, droger eller läkemedel. Detta har en negativ inverkan på din syn, ditt omdöme och din kroppskontroll.
- Använd inte produkten vid ogynnsamma väderleksförhållanden, t.ex. tät dimma, kraftigt regn, hård vind och stark kyla. Att använda produkten i dåligt väder kan göra dig trött och innebära risker, exempelvis på grund av halt underlag och oförutsägbar fallriktning.
- Var alltid försiktig och använd sunt förnuft. Om du känner dig osäker angående en arbetssituation eller driftsproceduren efter att ha läst bruksanvisningen ska du rådfråga en serviceverkstad innan du fortsätter.
- Avlägsna tändhatten om du lämnar produkten utom synhåll.

## Säkerhetsinstruktioner för montering

---



**VARNING:** Läs varningsinstruktionerna nedan innan du använder produkten.

---

- Använd godkända skyddshandskar när du monterar produkten och skärutrustningen.
- Avlägsna tändhatten från tändstiftet innan du monterar produkten.
- Se till att rätt styre och skärutrustningsskydd är monterat innan du använder produkten.
- Ett defekt eller felaktigt skärutrustningsskydd kan orsaka skador. Använd inte skärutrustningen utan ett godkänt monterat skärutrustningsskydd.
- Fäst kopplingskåpan och riggröret rätt innan du startar produkten.

- Medbringarhjulet och stödfälansen måste passas in korrekt i skärutrustningens centrumhål. Skärutrustning som ansluts på fel sätt kan orsaka skador eller dödsfall.
- Fäst selen i produkten för att förhindra skador på användaren eller andra personer.

## Säkerhetsinstruktioner för drift

---



**VARNING:** Läs varningsinstruktionerna nedan innan du använder produkten.

---

- Före användning av produkten måste du förstå skillnaden mellan skogsgröjning, gräsgröjning och grässtrimning.
- Använd personlig skyddsutrustning, se *Personlig skyddsutrustning på sida 31*.
- Långvarig exponering för buller kan ge bestående hörselnedsättning. Använd alltid godkända hörselskydd.
- Lyssna efter varningssignaler och höga röster när du använder hörselskydd. Ta alltid av hörselskydden när motorn stängs av.
- Använd aldrig produkten om den har ändrats eller är defekt.
- Se till att tändhatten och tändkabeln är oskadade för att undvika risk för elektriska stötar.
- Titta runt i arbetsområdet för att se till att inga personer, djur eller föremål kan ha en negativ inverkan på säkerheten vid användning av produkten.
- Titta runt i arbetsområdet för att kontrollera att inga människor eller djur vidrör skärutrustningen eller träffas av föremål som slungas ut från skärutrustningen.
- Använd inte produkten i en situation eller på en plats där du kan inte få hjälp om en olycka inträffar.
- Använd inte produkten utan ett godkänt skärutrustningsskydd.
- Se till att människor och djur håller ett avstånd på minst 15 m under arbetet. Titta alltid bakom dig innan du vänder dig om med produkten. Stoppa produkten omedelbart om personer eller djur kommer in i säkerhetszonen på 15 m. Om ni är flera som arbetar i samma område måste ni hålla ett säkerhetsavstånd på minst två gånger trädets höjd eller minst 15 m.
- Undersök arbetsområdet. Undvik lösa föremål, till exempel stenar, krossat glas, spikar, ståltråd och snören, som kan slungas iväg eller sno in sig i skärutrustningen.
- Se till att du kan förflytta dig och stå säkert. Titta om det finns hinder i området runt omkring dig, t.ex.

rötter, stenar, grenar och gropar. Var försiktig vid arbete i sluttingar.



- Sträck dig inte för långt. Stå stabilt med fötterna och håll en god balans i alla lägen.
- Innan du startar produkten ska du lägga den på en plan yta, minst 3 m från bränslekällan och där du fyller på bränsle. Se till att inga föremål är nära eller vidrör skärutrustningen.
- Om skärutrustningen roterar vid tomgångsvarvtal ska du låta en serviceverkstad ställa in den. Använd inte produkten förrän den är inställd eller reparerad.
- Håll koll på utslungade föremål. Använd alltid godkända ögonskydd och håll dig borta från skärutrustningens skydd. Stenar och andra föremål kan slungas in i ögonen på dig och orsaka blindhet eller andra skador.
- Ställ inte ner produkten när motorn går utan att du har uppsikt över den.
- Ta inte bort klippt material, och låt inte andra personer ta bort klippt material, medan motorn är på eller skärutrustningen roterar eftersom detta kan orsaka allvarliga personskador.
- Stanna alltid motorn och se till att skärutrustningen inte roterar innan du tar bort material som virats runt klingaxeln eller som har fastnat mellan skärutrustningsskyddet och skärutrustningen.
- Var försiktig när du tar bort material från området runt skärutrustningen. Vinkelväxeln blir varm under användning och kan orsaka brännskador.
- Motoravgaserna är heta och kan medföra gnistor. Risk för brand. Var försiktig runt torra och brännbara material.
- Använd aldrig produkten inomhus eller i utrymmen som saknar ventilation. Avgaserna innehåller kolmonoxid, en luktlös, giftig och livsfarlig gas.
- Stoppa motorn innan du flyttar till ett nytt arbetsområde. Anslut alltid transportskyddet innan du flyttar utrustningen.
- Överexponering av vibrationer kan leda till blodkärls- eller nervskador hos personer som har dålig blodcirkulation. Prata med läkare om du upplever kroppsliga symptom som kan relateras till överexponering av vibrationer. Exempel på sådana symptom är domningar, avsaknad av känsel, "kittlingar", "stickningar", smärta, avsaknad eller reducering av normal styrka, förändringar i hudens

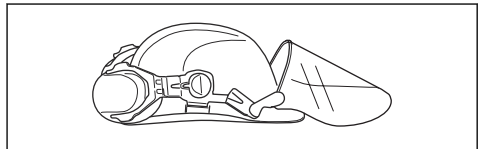
färg eller dess yta. Dessa symptom uppträder vanligtvis i fingrar, händer eller handleder. Riskerna kan öka vid låga temperaturer.

## Personlig skyddsutrustning

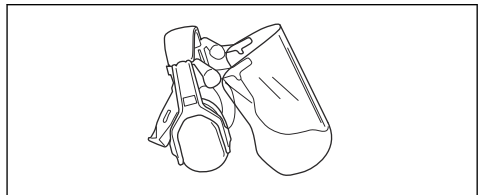


**VARNING:** Läs varningsinstruktionerna nedan innan du använder produkten.

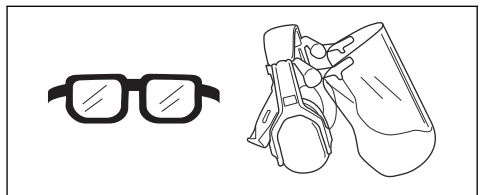
- Använd alltid godkänd personlig skyddsutrustning när du använder produkten. Personlig skyddsutrustning kan inte eliminera skaderisken helt, men den reducerar effekten av en skada vid ett eventuellt olyckstillbud. Be din återförsäljare om hjälp med att välja rätt utrustning.
- Använd hjälm om träden i arbetsområdet är högre än 2 m.



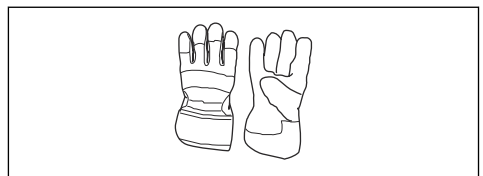
- Använd godkända hörselskydd.



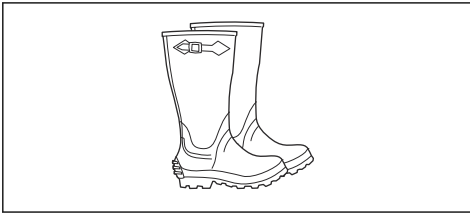
- Använd godkänt ögonskydd. Används visir måste även godkända skyddsglasögon användas. Godkända skyddsglasögon måste uppfylla standarden ANSI Z87.1 i USA och SS-EN 166 i EU-länder.



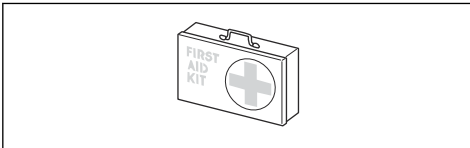
- Använd handskar vid behov, till exempel när du ansluter, undersöker eller rengör skärutrustningen.



- Använd skyddskängor med stålhätta och halkfri sula.



- Ha på dig kläder i slitstarkt material. Bär alltid kraftiga långbyxor och överdel med långa ärmar. Använd inte löst sittande kläder som kan fastna i kvistar och grenar. Använd inte smycken, korta byxor eller sandaler. Gå inte barfota. Sätt upp håret ordentligt så att det inte hänger nedanför axlarna.
- Ha första förband nära till hands.



## Säkerhetsanordningar på produkten

För information om var du kan hitta säkerhetsanordningar, se *Trimmerhuvudets skydd på sida 33*.



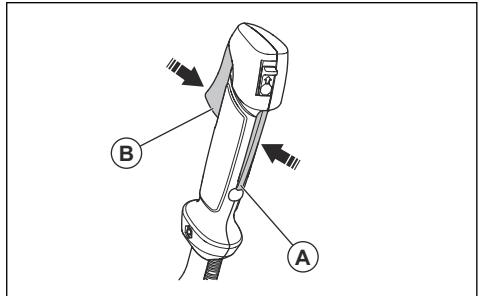
**VARNING:** Läs varningsinstruktionerna nedan innan du använder produkten.

- Använd inte en produkt med defekta säkerhetsanordningar. Kontrollera och underhåll säkerhetsanordningarna regelbundet. Om säkerhetsanordningarna är defekta ska du prata med din McCulloch serviceverkstad.
- Gör inga ändringar på säkerhetsanordningarna. Använd inte produkten om skyddshuvar, säkerhetsströmbrytare eller andra skyddsanordningar lossnat eller är defekta.
- För all service och reparation av produkten, särskilt av säkerhetsanordningarna, krävs särskild utbildning. Om säkerhetsanordningarna inte klarar de kontroller som beskrivs i den här bruksanvisningen måste du låta en serviceverkstad hjälpa dig. Vi garanterar att professionell service och reparation är tillgänglig. Om din återförsäljare inte är en serviceverkstad kan du tala med dem för information om närmaste serviceverkstad.
- Använd inte skärutrustningen utan ett godkänt skydd som monterats korrekt på skärutrustningen. Se *Tekniska data på sida 49*.

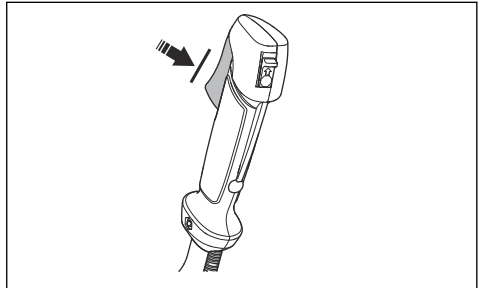
## Kontrollera gasreglagespärren

Gasreglagespärren är konstruerad att förhindra ofrivillig aktivering av gasreglaget.

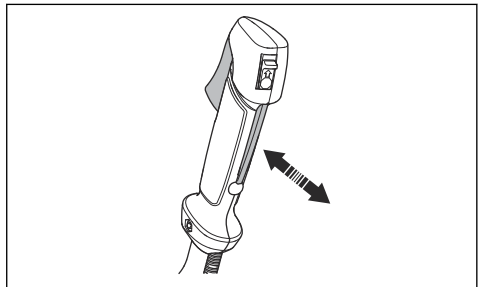
1. Tryck in dödmansgreppet (A) och se till att gasreglaget släpps (B). När greppet om handtaget släpps återställs både gasreglaget och dödmansgreppet till sina respektive ursprungslägen. Detta sker via två returfjädersystem. Detta läge innebär att gasreglaget automatiskt läses på tomgång.



2. Kontrollera att gasreglaget är låst i tomgångsläge när dödmansgreppet släpps.



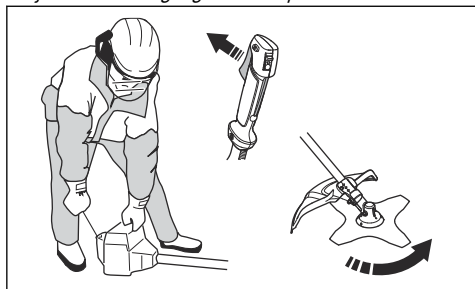
3. Tryck på gasreglagespärren och kontrollera att den går tillbaka till sitt ursprungliga läge när du släpper den.



4. Kontrollera att gasreglaget och dödmansgreppet går lätt samt att deras returfjädersystem fungerar.
5. Starta produkten (se anvisningar i *Så startar och stoppar du på sida 41*) och ge fullgas.

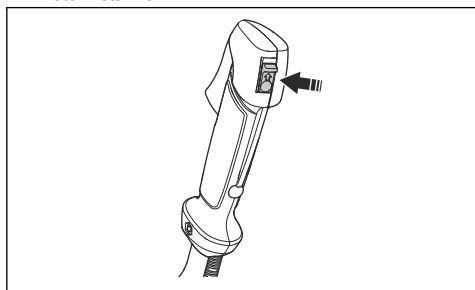


6. Släpp gasreglaget och kontrollera att skärutrustningen stannar och att den förblir stillastående. Justera förgasaren om skärutrustningen rör sig med gasreglaget i tomgångsläge. Se anvisningarna i kapitlet *Så justerar du tomgångsvarvtalet på sida 47.*



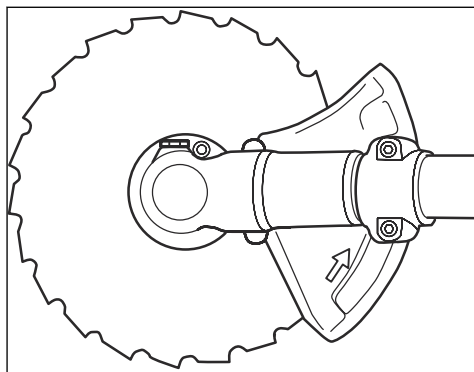
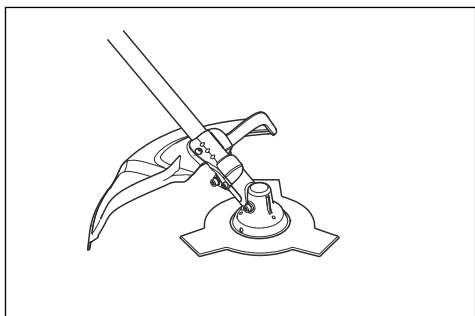
### Kontrollera stoppkontakten

1. Starta motorn.
2. Flytta stoppkontakten till stoppläget och se till att motorn stannar.



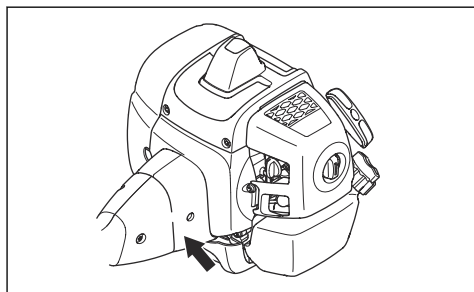
### Trimmerhuvudets skydd

Skärutrustningens skydd förhindrar att lösa föremål skjuts ut mot användaren. Undersök om skärutrustningens skydd är skadat och byt ut det om så är fallet. Använd endast godkänt skydd för skärutrustningen.



### Kontrollera avvibreringssystemet

Avvibreringssystemet minskar vibrationerna i handtagen till ett minimum, vilket gör arbetet lättare.



1. Stanna motorn.
2. Kontrollera visuellt om det finns deformationer och skador, till exempel sprickor.
3. Se till att delarna i avvibreringssystemet sitter fast.

### Kontrollera snabbutlösningssystemet

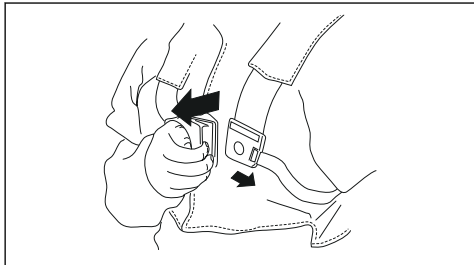


**WARNING:** Använd inte en sele med defekt snabbutlösningssystemet.

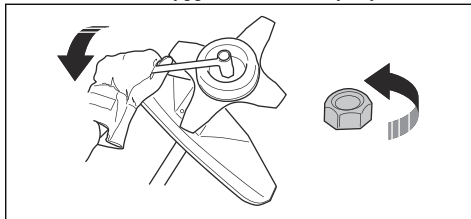
Med snabbutlösningssystemet kan användaren snabbt ta bort produkten från selen vid en nödsituation.

1. Stoppa motorn.
2. Kontrollera om det finns skador, till exempel sprickor.

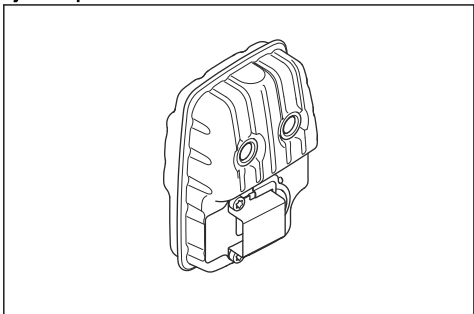
3. Lossa och koppla tillbaka snabbutfölningsmekanismen för att säkerställa att den fungerar korrekt.



- Vid demontering av låsmuttern lossar du låsmuttern i samma riktning som rotationsriktningen för skärutrustningen.
- För att lösgöra och dra åt låsmuttern, använd en hylsnyckel med långt skaft. Pilen på bilden visar det område där du tryggt kan använda hylsnyckeln.



### Ljuddämpare



- Använd inte en motor med defekt ljuddämpare. En defekt ljuddämpare ökar ljudnivån och brandrisken. Ha en brandsläckare i närheten.
- Kontrollera regelbundet att ljuddämparen sitter fast på produkten.
- Rör inte motorn eller ljuddämparen när motorn är på. Rör inte motorn eller ljuddämparen förrän en stund efter att motorn stannat. Heta ytor kan orsaka skador.
- En varm ljuddämpare kan orsaka brand. Var försiktig om du använder produkten nära brandfarliga vätskor eller ångor.
- Rör inte ljuddämparens delar om ljuddämparen är skadad. Delarna kan innehålla vissa cancerframkallande kemikalier.
- Rengör gnistfångaren regelbundet om produkten har gnistfångare.

### Fästa och ta bort låsmuttern



**VARNING:** Stäng av motorn, använd skyddshandskar och var försiktig runt de vassa kanterna på skärutrustningen.

Låsmuttern används för att låsa vissa typer av skärutrustning. Låsmuttern är vänstergängad.

- För att fästa, drag åt låsmuttern mot skärutrustningens svängriktning.



**VARNING:** När du lossar och drar åt låsmuttern finns det risk för att skada sig på kniven. Du måste alltid se till att klingskyddet förhindrar skador på din hand när du gör detta.

**Notera:** Se till att du kan inte vrida låsmuttern för hand. Byt muttern om nylonlåsnigen inte har ett motstånd på minst 1,5 Nm. Låsmuttern ska bytas efter det att den skruvats på ca 10 gånger.

### Skärutrustning

Använd rätt typ av skärutrustning och underhåll för att:

- Erhålla maximala skärprestanda.
- Öka livslängden på skärutrustningen.
- Följ anvisningarna för kontroll, underhåll och service för ljuddämparen.
- Använd endast det rekommenderade skyddet för skärutrustningen. Se Tekniska data.



**VARNING:** Använd endast skärutrustning tillsammans med det skydd som vi rekommenderar. Se kapitlet om Tekniska data. Se skärutrustningens anvisningar för korrekt laddning av trimmerlina och val av rätt diameter på trimmerlinan.



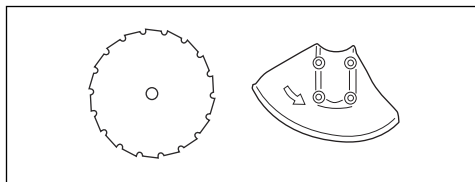
**VARNING:** En felaktig skärutrustning kan öka risken för olyckor.



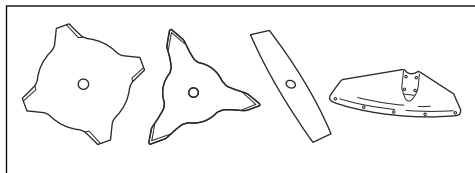
**VARNING:** Stanna alltid motorn innan du arbetar med något på skärutrustningen. Denna fortsätter att rotera även sedan gasreglaget släppts. Kontrollera att skärutrustningen har stannat helt och ta bort tändhatten innan du börjar med något arbete på den.

## Skärutrustning

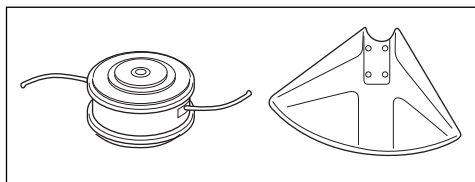
- Använd sågklingan för att kapa fibrösa träslag.



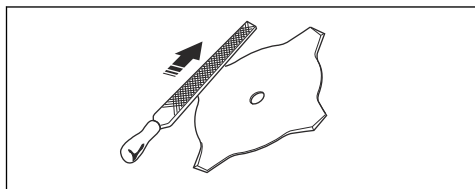
- Använd klingorna och gräsknivarna för att kapa kraftigt gräs.



- Använd trimmerhuvudet för att klippa gräs.



- En felskäppt eller skadad klinga ökar risken för olyckor. Håll klingans skärtänder väl och korrekt skärpta. Följ instruktionerna i *Fila gräskniv och gräsklinga på sida 35* och använd den rekommenderade filmallen.

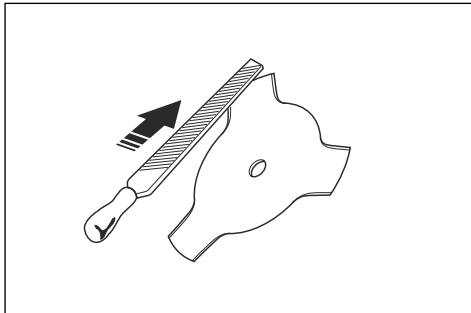


- Kontrollera om skärutrustningen är skadad eller har sprickor. Byt ut skadad skärutrustning.
- Använd endast skärutrustning tillsammans med de rekommenderade skydden. Se *Tekniska data på sida 49*.

## Knivar

- Använd produkten med en godkänd klinga. Använd inte en klinga utan rätt installation av alla nödvändiga delar. Se till att installationen görs korrekt och att rätt delar används. Felaktig installation kan leda till att klingan flyger av och orsakar allvarliga skador på användaren eller människor i närheten.
- Använd skyddshandskar när du hanterar klingan eller gör underhåll.

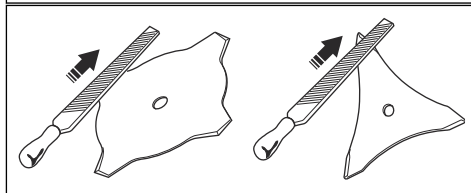
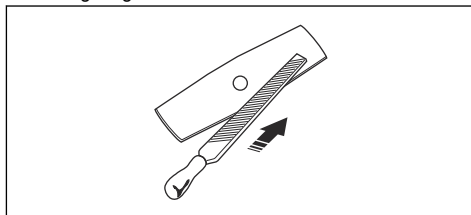
- Använd huvudskydd när du använder en produkt med en klinga.
- Klingan kan orsaka skada när den roterar efter det att motorn har stannat eller gasreglaget släpps. Se till att klingan har slutat rotera helt innan något underhåll utförs.
- Stanna motorn innan du arbetar med skärutrustningen. Se till att skärutrustningen stannat helt. Ta bort kabeln från tändstiftet.
- Håll klingans skärtänder väl och korrekt skärpta.



- Använd inte en skadad skärutrustning.
- Fäst transportskyddet på klingan när du transporterar eller förvarar produkten.

## Fila gräskniv och gräsklinga

- Fila alla kanterna på gräsknivens och klingans lika mycket för att behålla balansen. Använd en enkelgradig flatfil.



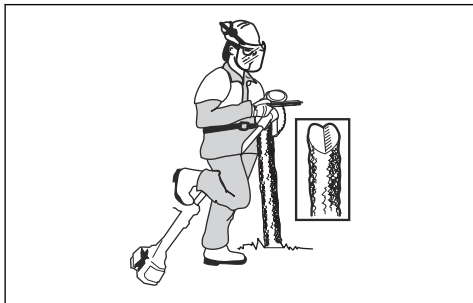
## Fila sågklingan



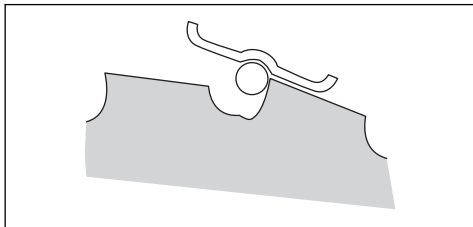
**WARNING:** Stoppa motorn. Använd skyddshandskar.

- För att fila klingan ska du läsa anvisningarna som medföljer klingan.

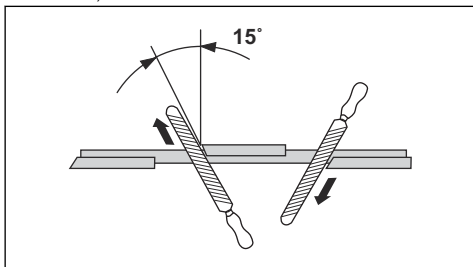
- Se till att produkten och klingan har tillräckligt stöd när du filar den.



- Använd en 5,5 mm rundfil som är monterad i en filhållare.

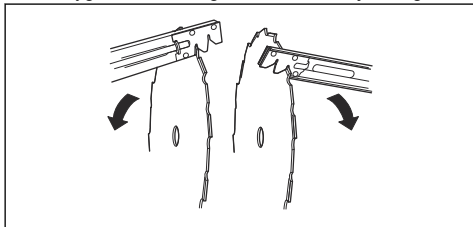


- Håll filen i en vinkel på 15°.
- Fila en tand på sågklingan till höger och nästa till vänster, se bild.



**Notera:** Fila kanterna på tänderna med en flatfil om klingan är mycket sliten. Fortsätt att fila med en rund fil.

- Fila alla eggar lika mycket för att hålla klingan balanserad.
- Ställ in klingan till 1 mm med rekommenderat verktyg. Läs anvisningarna som medföljer klingan.

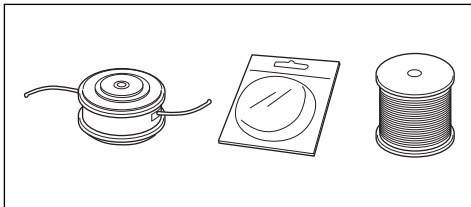


**VARNING:** Kassera alltid en klinga som är skadad. Försök inte att göra en böjd eller vriden klinga rak och använda den igen.

### Trimmerhuvud



**VARNING:** Se alltid till att trimmerlinan lindas hårt och jämnt runt trumman för att förhindra skadliga vibrationer.



- Använd endast rekommenderade trimmerhuvuden och trimmerlinor.
- Använd endast rekommenderade skärutrustningar.
- Mindre maskiner fordrar små trimmerhuvuden och vice versa.
- Trimmerlinans längd är viktig. En längre trimmertråd fordrar större motorstyrka än en kort, vid samma diameter på trimmertråden.
- Se till att den kniv som sitter på trimmerskyddet är intakt. Den används för att skära av trimmerlinan till rätt längd.
- Blötlägg trimmerlinan i vatten ett par dagar före användning för att öka livslängden.

### Bränslesäkerhet

- Starta inte produkten om det finns bränsle eller motorolja på produkten. Ta bort det oönskade bränslet/oljan och låt produkten torka. Ta bort oönskat bränsle från produkten.
- Om du spillt bränsle på kläderna skall dessa bytas omedelbart.
- Se till att inte få bränsle på kroppen, det kan orsaka personskador. Om du får bränsle på kroppen använder du tvål och vatten för att ta bort bränslet.
- Starta inte motorn om du spiller olja eller bränsle på produkten eller på kroppen.
- Starta inte produkten om motorn har en läcka. Undersök regelbundet om motorn läcker.
- Var försiktig med bränsle. Bränsle är brandfarligt och ångorna är explosiva och kan orsaka skador eller dödsfall.
- Undvik att andas in bränsleångor då det kan orsaka personskador. Se till att det finns tillräckligt luftflöde.
- Rök inte i närheten av bränslet eller motorn.
- Placera inga varma föremål i närheten av bränslet eller motorn.
- Fyll inte på bränsle när motorn är på.

- Se till att motorn har svalnat innan du fyller på bränsle.
- Innan du fyller på bränsle bör du öppna bränsletanklocket långsamt och försiktigt släppa på trycket.
- Fyll inte på bränsle i motorn inomhus. Otillräckligt luftflöde kan orsaka skador eller dödsfall på grund av kvävning eller kolmonoxidförgiftning.
- Dra åt tanklocket försiktigt, annars kan brand uppstå.
- Flytta produkten minst 3 m från den plats där du fyllde på tanken innan du startar den.
- Fyll inte på med för mycket bränsle i bränsletanken.
- Kontrollera att läckage inte kan uppstå när du flyttar produkten eller bränslebehållaren.
- Placera inte produkten eller bränslebehållaren där det finns öppen eld, gnistor eller tändlagor. Se till att det inte finns någon öppen eld i förvaringsutrymmet.
- Använd endast godkända behållare när du flyttar bränslet eller ställer undan bränslet för förvaring.
- Töm bränsletanken före långtidsförvaring. Följ lokala lagar om var du kan kasta bränsle.
- Rengör produkten före långtidsförvaring.
- Ta bort tändstiftskabeln innan du ställer undan produkten för förvaring så att motorn inte oavsiktligt startar.

## Säkerhetsinstruktioner för underhåll

- Om du inte kan justera tomgångsvarvtalet så att skärutrustningen stannar bör du tala med ditt servicecenter. Använd inte produkten förrän den är korrekt inställd eller reparerad.

## Montering



**VARNING:** Läs säkerhetskapitlet innan du monterar produkten.

### Introduktion



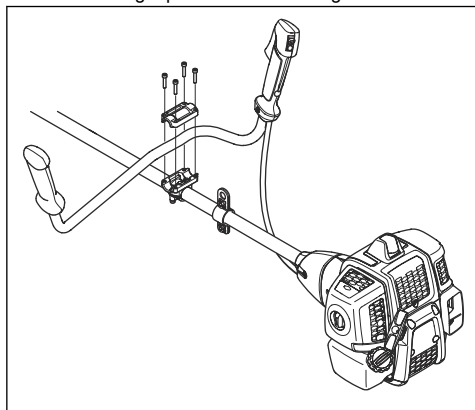
**VARNING:** Innan du monterar produkten måste du läsa igenom och förstå kapitlet om säkerhet.



**VARNING:** Avlägsna tändstiftskabeln från tändstiftet innan du monterar produkten.

### Montera handtaget

1. Fäst handtaget på fästkonsolen enligt bilden.



### Installera klingor och trimmerhuvud



**VARNING:** Använd endast godkänt skydd för klingorna. Se *Tekniska data på sida 49*. Ett defekt skydd kan orsaka skador.

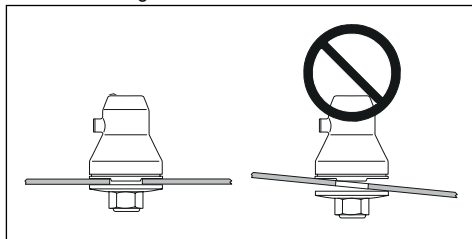


**VARNING:** Om du använder produkten med en gräsklinga installerar du först rätt styre, klingskydd och sele.



**VARNING:** Om du inte installerar klingorna rätt kan det orsaka skador.

1. Se till att den lyfta delen av medbringargjulet/stödflänsen hamnar rätt i det mittersta hålet på klingorna.
2. Montera klingorna.



### Montera klingskyddet, gräsklingan och gräskniven

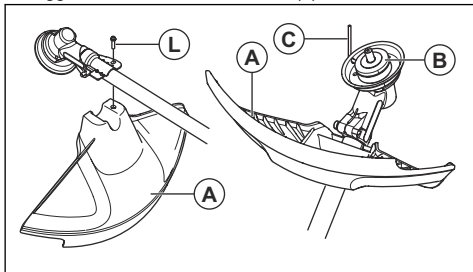


**OBSERVERA:** Använd endast godkänt skydd för klingorna. Se bruksanvisningen.

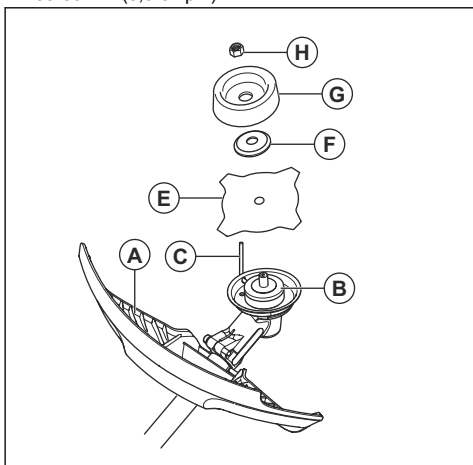


**OBSERVERA:** Se till att skyddskappan tas bort.

1. Sätt fast klingskyddet/skärutrustningsskyddet (A) på riggröret och dra åt med bulten (L).



2. Installera medbringarhjulet (B) på den utgående axeln.
3. Vrid den utgående axeln tills ett av hålen i medbringarhjulet är mitt för motsvarande hål i växelhuset.
4. För in låspinnen (C) i hålet så att riggröret läses.
5. Placera gräsklingan (E), stödfänsen (F) och stödkoppen (G) på den utgående axeln.
6. Montera muttern (H). Håll skiftnyckelns skaft så nära klingskyddet som möjligt. För att dra åt muttern måste du vrida skiftnyckeln i motsatt rotationsriktning. Muttern dras åt med ett moment av 35-50 Nm (3,5-5 kpm).

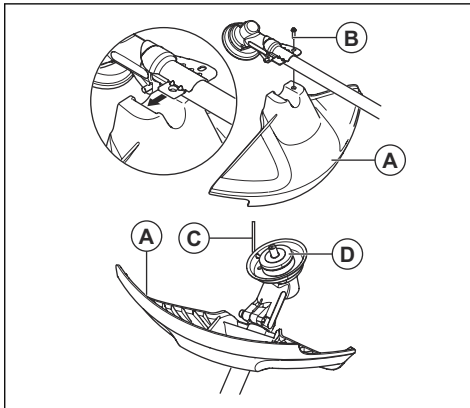


**Notera:** Vänstergängad.

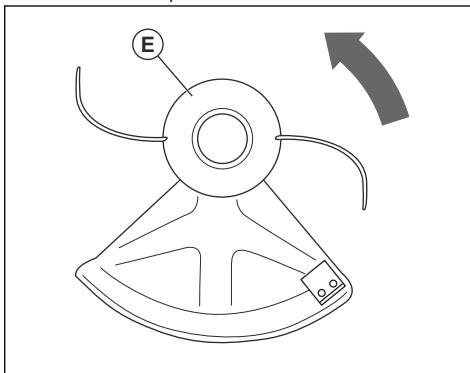
## Montering av trimmerskydd och trimmerhuvud

**Notera:** Se till att använda rätt trimmerskydd och rätt trimmerhuvud.

1. Fäst det korrekta trimmerskyddet/kombinationskyddet (A) för trimmerhuvudet.
2. Montera trimmerskyddet/kombinationskyddet runt riggröret och dra åt det med bulten (B). Använd låspinnen eller insexnyckeln (C).



3. Sätt in låspinnen eller insexnyckeln (C) i spåret på skruvhuvudet och dra åt.
4. Fäst medbringarhjulet (D) på den utgående axeln.
5. Vrid utgående axeln tills ett av hålen i medbringarhjulet är mitt för motsvarande hål i växelhuset.
6. För in låspinnen eller insexnyckeln (C) i hålet så att riggröret läses.
7. Montera trimmerhuvudet/plastknivarna (E). Vrid trimmerhuvudet/plastknivarna motsols.



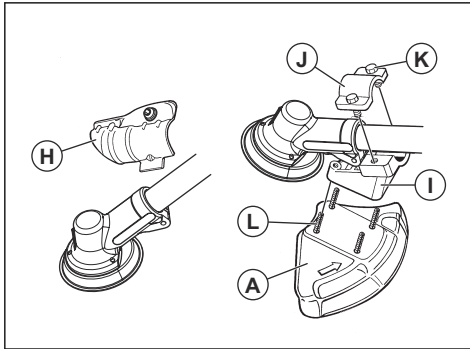
8. Om du vill demontera följer du instruktionerna i omvänd ordning.

## Montera klingskydd och sågklinga

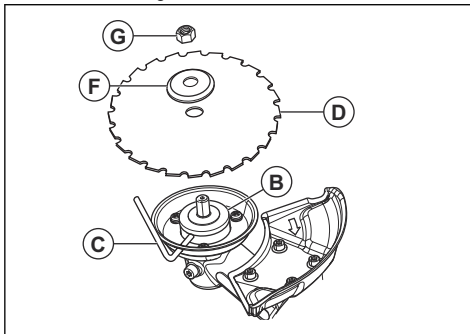


**OBSERVERA:** Använd endast godkänt skydd för klingorna. Se *Tekniska data* på sida 49.

1. Demontera fästplåten (H).
2. Montera adaptern (I) och hållaren (J) med de två skruvarna (K).
3. Montera klingskyddet (A) mot adaptern med 4 skruvar (L).

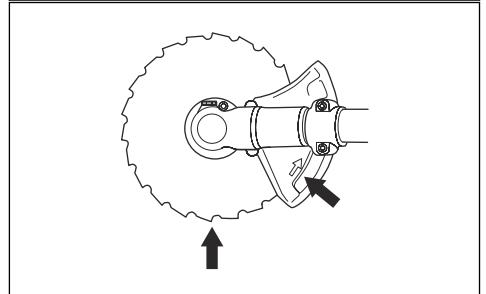
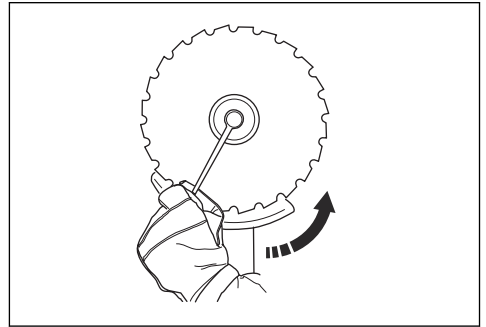


4. Installera medbringarhjulet (B) på den utgående axeln.
5. Vrid runt klingaxeln tills ett av medbringarens hål sammanfaller med motsvarande hål i växelhuset.
6. För in låspinnen (C) i hålet så att axeln låses.
7. Placera klingan (D) och stödfliken (F) på den utgående axeln.
8. Montera muttern (G). Muttern skall dras åt med ett moment av 35–50 Nm (3,5–5 kpm). Använd hylsnyckeln som finns i verktygssatsen. Håll i nyckelns skaft så nära klingskyddet som möjligt. Muttern dras åt när nyckeln förs mot rotationsriktningen.



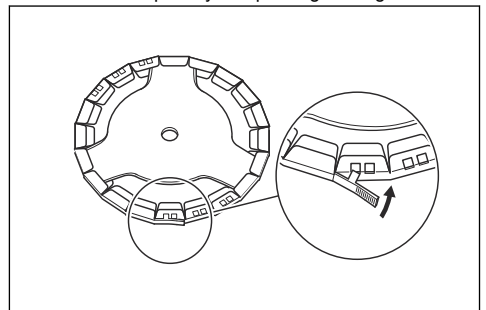
**Notera:** Vänstergängad.

9. Vid lossdragning och åtdragning av sågklingans mutter finns risk för att skada sig på sågklingans tänder. Se därför alltid till att handen skyddas av klingskyddet. Använd alltid en hylsnyckel med tillräckligt långt skaft för att möjliggöra detta. Pilen på bilden visar inom vilket område du ska manövrera tändstiftshylsan vid loss- respektive åtdragning.



## Montera transportskyddet

1. Montera transportskyddet på klingan enligt bilden.



## Justera selen

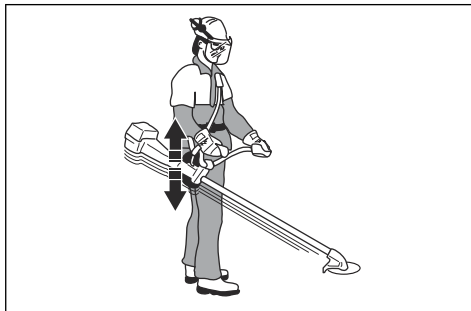


**VARNING:** Produkten måste alltid kopplas fast ordentligt i selen. Om inte, kan du inte styra produkten säkert och det kan orsaka skada på dig eller andra. Använd inte en defekt sele. Använd inte en sele med trasig snabbtöslösning.

1. Tag på selen.
2. Koppla produkten till selen.
3. Justera selen för att få bästa arbetsställning.
4. Justera sidoremmarna så att produktens vikt är jämnt fördelad på axlarna.



5. Justera selen så att skärutrustningen blir parallell med marken.



6. Låt skärutrustningen vila lätt mot marken. Justera selfästet för att balansera produkten på rätt sätt.

**Notera:** Om du använder en gräsklinga måste den balanseras cirka 10 cm ovanför marken.

## Drift



**VARNING:** Läs och förstå säkerhetskapitlet innan du använder produkten.



**OBSERVERA:** Använd inte bensin med ett oktantal lägre än 90 RON/87 AKI. Ett lägre oktantal kan orsaka motorknackning, vilket leder till motorskador.

## Introduktion



**VARNING:** Innan du använder produkten måste du läsa igenom och förstå kapitlet om säkerhet.

## Tvåtaksolja

- För bästa resultat och funktion ska du använda tvåtaksolja från McCulloch.
- Om tvåtaksolja från McCulloch inte finns tillgänglig kan du använda en annan tvåtaksolja av hög kvalitet för luftkylda motorer. Tala med en serviceverkstad för att välja rätt olja.

## Bränsle

Denna produkt har en tvåtaksmotor.



**OBSERVERA:** Motorn kan skadas om du fyller på med fel typ av bränsle. Använd en blandning av bensin och tvåtaksolja.



**OBSERVERA:** Använd inte tvåtaksolja för vattenkylda utombordsmotorer, s.k. outboardoil. Använd inte olja avsedd för fyrtaksmotorer.

## Förblandat bränsle

- Använd förblandat alkylatbränsle från McCulloch för bästa prestanda och förlängning av motorns livslängd. Det här bränslet innehåller mindre skadliga kemikalier jämfört med vanligt bränsle, vilket minskar de skadliga avgaserna. Mängden rester som finns kvar efter förbränning är lägre med detta bränsle, vilket håller komponenterna i motorn renare.

## Blanda bensin och tvåtaksolja

Bensin, liter	Tvåtaksolja, liter
	<b>2 % (50:1)</b>
5	0,10
10	0,20
15	0,30
20	0,40

## Blanda bränsle

### Bensin

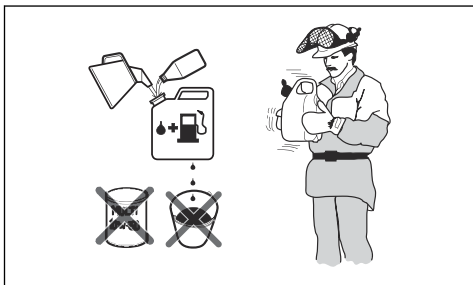
- Använd blyfri bensin av bra kvalitet med högst 10 % etanolhalt.



US gallon	US fl. oz.
1	2 ½
2 1/2	6 ½
5	12 ½



**OBSERVERA:** Små fel kan påverka blandningsförhållandet drastiskt när du blandar små mängder bränsle. Mät noga mängden olja för att se till att du får rätt blandning.



1. Fyll halva mängden bensen i en ren behållare för bränsle.
2. Tillsätt all olja.
3. Skaka bränsleblandningen.
4. Fyll i återstående mängd bensen i behållaren.
5. Skaka omsorgsfullt bränsleblandningen.



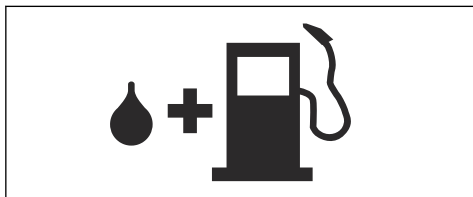
**OBSERVERA:** Blanda inte bränsle för mer än en månad i taget.

### Fylla på bränsletanken



**VARNING:** Följ nedanstående procedur för din säkerhet.

1. Stanna motorn och vänta tills den har svalnat.
2. Torka rent runt bränsletanklocket.



3. Skaka behållaren och kontrollera att bränslet är helt blandat.
4. Ta bort tanklocket långsamt för att släppa på trycket.

5. Fyll bränsletanken.



**OBSERVERA:** Kontrollera att det inte finns för mycket bränsle i bränsletanken. Bränslet expanderar när det blir varmt.

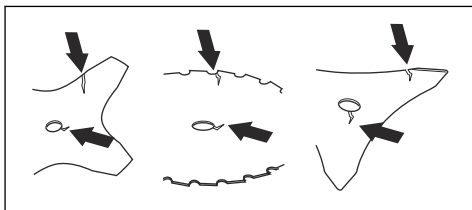
6. Dra åt bränsletanklocket ordentligt.
7. Torka upp bränslespill på och runt produkten.
8. Flytta produkten minst tre meter bort från tankningsplatsen och bränsledepån innan du startar motorn.

**Notera:** Information om var bränsletanken sitter på produkten finner du i *Produktöversikt på sida 28*.

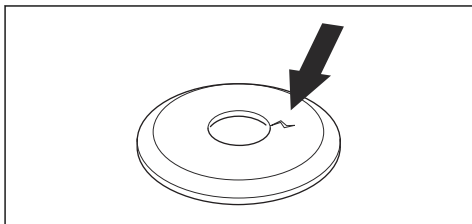
## Så startar och stoppar du

### Innan du använder produkten

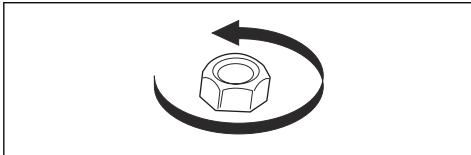
- Undersök arbetsområdet för att se till att du känner till terrängtypen, markens lutning och om det finns hinder som stenar, grenar och gropar.
- Gör en övergripande kontroll av produkten.
- Utför säkerhetsinspektioner, underhåll och service enligt den här bruksanvisningen.
- Se till att alla kåpor, skydd, handtag och skärutrustning är korrekt anslutna och inte skadade.
- Kontrollera att det inte finns sprickor i botten av sågklingans eller gräsklingas tänder eller vid centrumhålet. Byt ut klingan om den är skadad.



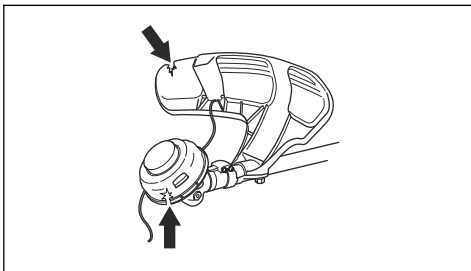
- Kontrollera om stödflänsen har sprickor. Byt ut stödflänsen om den är skadad.



- Se till att låsmuttern inte kan tas bort för hand. Om du kan ta bort den med handen låser den inte skärutrustningen tillräckligt väl och måste ersättas.

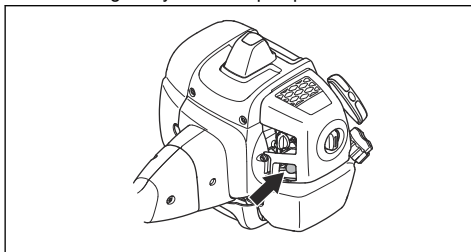


- Kontrollera om klingskyddet är skadat eller har sprickor. Byt ut klingskyddet om det har träffats av något eller om det har sprickor.
- Undersök om trimmerhuvudet och skärutrustningens skydd har skador eller sprickor. Byt ut trimmerhuvudet och skärutrustningens skydd om de har träffats av något eller om de har sprickor.

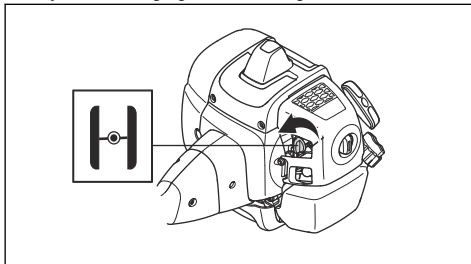


### Starta motor

1. Placera produkten på en plan och stabil yta. Undvik att lägga skärutrustningen på marken.
2. Tryck på bränslepumpblåsan upprepade gånger tills bränslet börjar fyllas på i blåsan. Det är inte nödvändigt att fylla bränslepumpblåsan helt.

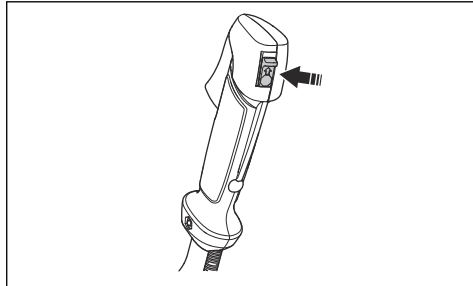


3. Flytta chokereglaget till chokeläget.

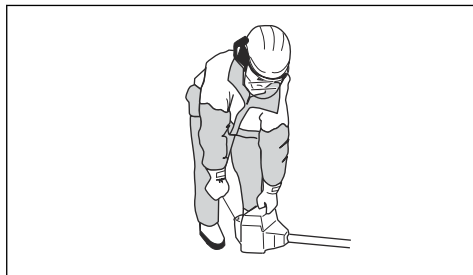


**VARNING:** Skärutrustningen börjar omedelbart rotera när du startar motorn med choken.

4. Ställ start/stoppbrytaren i körläget.



5. Håll produktens chassi på marken med vänster hand.



6. Håll i startsnörets handtag med höger hand.
7. Dra långsamt ut startsnöret med höger hand tills ett motstånd känns.



**VARNING:** Vira inte startsnöret runt handen.

8. Dra snabbt och kraftfullt i linan. Dra upprepade gånger i startsnöret tills motorn startar.

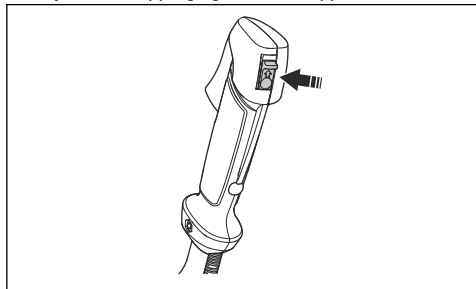


**OBSERVERA:** Dra inte ut startsnöret helt och släpp inte heller startsnörets handtag när startsnöret är helt utdraget. Det kan orsaka skador på produkten.

9. Återställ choken när motorn startar.
10. Manövrera gasreglaget gradvis när motorn startar.
11. Kontrollera att motorn går jämnt och låt den bli varm i 1–2 minuter innan den används.

## Stoppa produkten

- Tryck ned stoppreglaget för att stoppa motorn.



## Kast

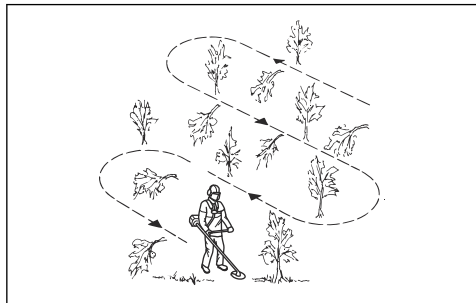
- Ett kast är en plötslig rörelse av produkten åt sidan, framåt eller bakåt. Kast inträffar när gräsklingan träffar föremål som inte kan klippas. I områden där det inte är lätt att se det material som klipps ökar risken för kast.
- När ett kast inträffar finns det en risk att produkten eller användaren rör sig ur läge. En klinga som rör sig kan träffa människor i närheten och det finns risk för personskador.
- Om en klinga är böjd, har sprickor, är trasig eller skadad ska den kasseras.
- Använd en vass klinga. Risken för kast ökar när en klinga inte är vass.

## Allmänna arbetsinstruktioner



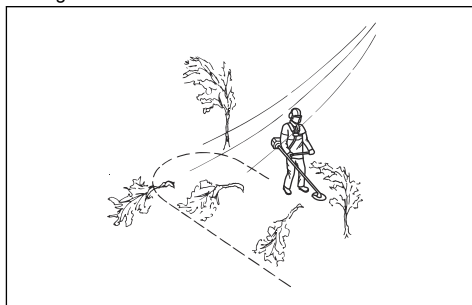
**VARNING:** Var försiktig när du kpar ett träd som är i spänning. Det kan fjädra tillbaka till sitt normala läge före eller efter snittet och träffa dig eller produkten och orsaka skador.

- Rensa ett öppet utrymme i ena änden av arbetsområdet, och börja arbeta därifrån.
- Rör dig i ett regelbundet mönster över arbetsområdet.



- För produkten helt till vänster och höger, för att rensa en bredd på 4–5 m under varje varv.

- Rensa en längd på 75 m innan du vänder och går tillbaka. Flytta med dig bränsledunken när du går vidare.
- Rör dig i den riktning där du inte behöver gå över diken och hinder mer än nödvändigt.
- Rör dig i den riktning där vinden gör att den klippta vegetationen faller i det rensade området.



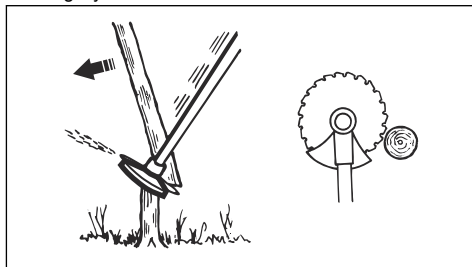
- Rör dig längs med slutningarna, inte upp och ner.

## Skogsröjning med sågklinga

### Fälla ett träd till vänster

För att fälla åt vänster ska trädets nederdel tryckas åt höger.

1. Ge fullgas.
2. Placera sågklingan mot trädet enligt bilden.
3. Luta sågklingan och tryck den kraftfullt snett nedåt och åt höger. Tryck samtidigt på trädet med klingsskyddet.

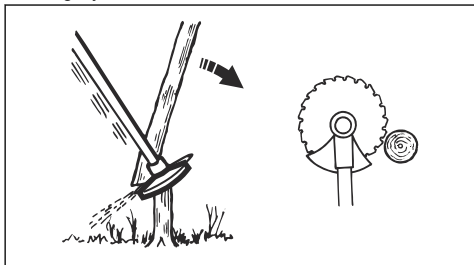


### Fälla ett träd till höger

För att fälla åt höger ska trädets nederdel tryckas åt vänster.

1. Ge fullgas.
2. Placera sågklingan mot trädet enligt bilden.

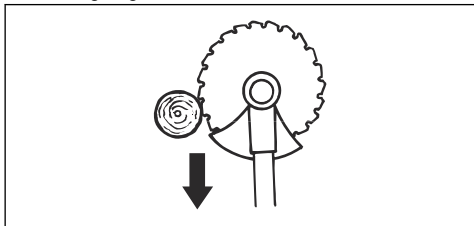
3. Luta sågklingan och tryck den kraftfullt snett uppåt och åt höger. Tryck samtidigt på trädet med klingskyddet.



### Fälla ett träd framåt

För att fälla framåt ska trädets nederdel tryckas bakåt.

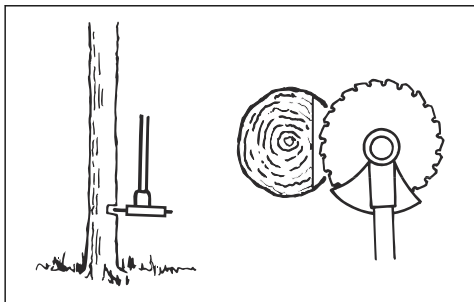
1. Ge fullgas.
2. Placera sågklingan mot trädet enligt bilden.
3. Dra sågklingan bakåt med en snabb rörelse.



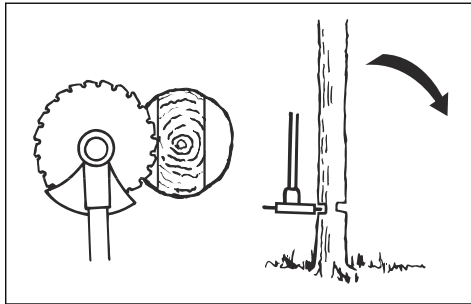
### Fälla stora träd

Stora träd måste kapas från två håll.

1. Undersök i vilken riktning trädet kommer att falla.
2. Ge fullgas.
3. Gör det första skäret på den sida av trädet som det kommer att falla åt.



4. Skär igenom trädet från andra sidan.



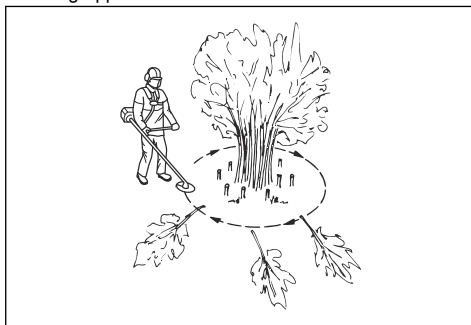
**OBSERVERA:** Om sågklingan blir blockerad ska du inte dra i produkten med en plötslig rörelse. Det kan orsaka skador på sågklingan, vinkelväxeln, riggröret eller styret. Släpp handtagen, håll fast riggröret med båda händerna och dra försiktigt i produkten.

**Notera:** Använd mer kaptryck för att fälla små träd. Använd mindre kaptryck för att fälla stora träd.

### Buskröjning med sågklinga

För att fälla åt vänster ska trädets nederdel tryckas åt höger.

- Skär ner tunna träd och buskar.
- För produkten från sida till sida.
- Kapa många träd i en rörelse.
- För grupper av tunna träd:



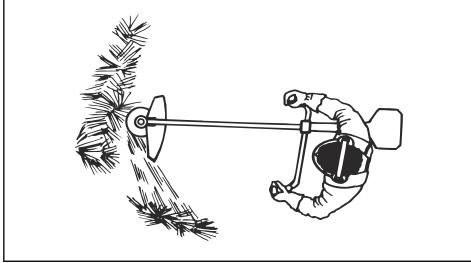
- a) Kapa de yttre träden högt upp.
- b) Kapa de yttre träden till rätt höjd.
- c) Kapa från mitten. Om du inte kan när mitten ska du kapa de yttre träden högt upp och låta dem falla. Detta minskar risken för att sågklingan blir blockerad.

## Gräsröjning med gräsklinga



**OBSERVERA:** Använd inte gräsklingor och gräsknivar på trä. Använd enbart gräsklingor och gräsknivar för långt eller kraftigt gräs.

- För produkten från sida till sida.
- Starta rörelsen från höger till vänster när du klipper. För produkten till höger innan du skär igen.
- Skär med vänster sida av gräsklingan.

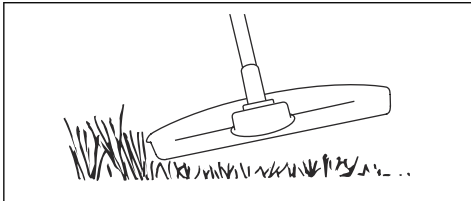


- Vinkla gräsklingan till vänster för att få gräset att falla i en rad. Det gör det lättare att samla ihop gräset.
- Stå stadigt med fötterna isär.
- Flytta dig framåt efter varje rörelse åt höger och se till att du står stadigt innan du skär igen.
- Håll stödkoppen med ett lätt tryck mot marken för att se till att gräsklingan inte slår i marken.
- Följ dessa anvisningar för att minska risken för att klippt materialet lindas runt gräsklingan:
  - a) Ge fullgas.
  - b) Flytta inte gräsklingan genom klippt material när du för produkten från vänster till höger.
- Innan du samlar in klippt material ska du stanna motorn och ta bort produkten från selen. Ställ produkten på marken.

## Grästrimning med trimmerhuvud

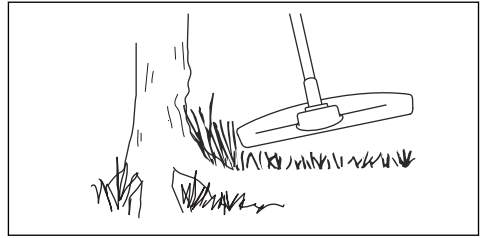
### Klipa gräset

1. Håll trimmerhuvudet strax ovanför marken och luta det. Tryck inte ned trimmerlinan i gräset.



2. Minska längden på trimmerlinan med 10–12 cm.
3. Minska motorns varvtal för att minska risken för skador på växter.

4. Använd 80 % gas när du klipper gräset nära föremål.



### Rensa gräs

1. Håll trimmerhuvudet ovanför marken.
2. Luta trimmerhuvudet.
3. Klipp med trimmerlinans ände runt föremål i arbetsområdet.

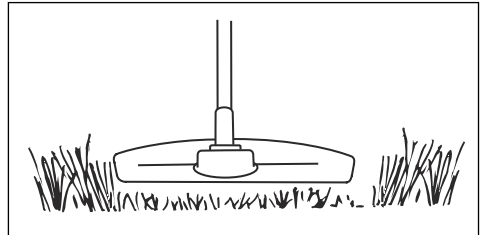


**OBSERVERA:** Klipp gräset. Andra föremål som träffas av trimmerlinan ökar slitaget på trimmerlinan.

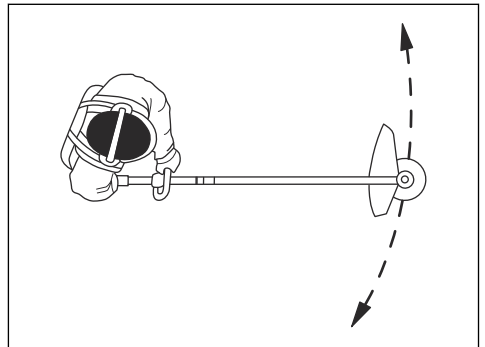
4. Använd 80 % av hastigheten när du klipper och rensar vegetation. Detta minskar slitaget på trimmerhuvudet och trimmerlinan.

### Klippa gräset

1. Se till att trimmerlinan är parallell med marken när du klipper gräset.



2. Tryck inte ned trimmerhuvudet mot marken. Det kan orsaka skador på produkten.
3. För produkten från sida till sida när du klipper gräset. Använd fullt varvtal.



## Sopa gräset

Luffflödet från den roterande trimmerlinan kan användas för att ta bort klippt gräs från ett område.

1. Håll trimmerhuvudet och trimmerlinan parallellt mot och ovanför marken.
2. Ge fullgas.
3. För trimmerhuvudet från sida till sida och sopa bort gräset.



**VARNING:** Rengör trimmerhuvudets kåpa varje gång du monterar ny trimmerlina för att förhindra obalans och vibrationer i handtagen. Gör även en kontroll av andra delar av trimmerhuvudet och rengör det vid behov.

## Underhåll

### Introduktion



**VARNING:** Läs och förstå säkerhetskapitlet innan du utför underhåll på produkten.

### Underhållsschema

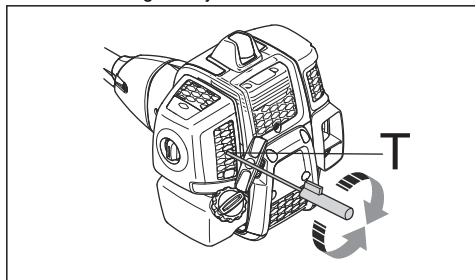
Underhåll	Varje dag	Varje vecka	Varje månad
Rengör utsidan.	X		
Undersök om det finns några skador på selen.	X		
Kontrollera gasreglagespärren och gasreglaget. Se <i>Kontrollera gasreglagespärren på sida 32.</i>	X		
Undersök om handtaget och styret är skadade och se till att de är monterade på rätt sätt.	X		
Kontrollera stoppkontakten. Se <i>Kontrollera stoppkontakten på sida 33.</i>	X		
Se till att skärutrustningen inte roterar vid tomgångsvarvtal.	X		
Rengör luftfiltret. Byt den om den är skadad.	X		
Undersök om skärutrustningens skydd är skadat eller har sprickor.	X		
Se till att såg- och gräsklingan är monterade på rätt sätt. Se till att såg- och gräsklingan är vassa och inte skadade.	X		
Undersök om trimmerhuvudet har skador eller sprickor. Byt den om den är skadad.	X		
För skärutrustning med en låsmutter drar du åt låsmuttern helt.	X		
Undersök om transportskyddet har skador och se till att det kan sättas fast ordentligt.	X		
Dra åt muttrar och skruvar.	X		
Undersök om motorn, bränsletanken och bränsleledningarna läcker.	X		
Undersök om startmotorn och startsnöret är skadade.		X	
Undersök tändstiftet. Se <i>Så undersöker du tändstiftet på sida 48.</i> Byt ut tändstiftet vid behov. Se till att tändstiftet har en dämpare.		X	
Rengör förgasarens utsida och området runt denna.		X	

Underhåll	Varje dag	Varje vecka	Varje månad
Se till att vinkelväxeln är rätt fylld med fett. Se <i>Vinkelväxel på sida 48</i> .		X	
Undersök om bränslefilteret är förorenat och om bränsleslangen har sprickor eller andra defekter. Byt ut vid behov.			X
Undersök alla kablar och anslutningar.			X
Byt ut tändstiftet. Se till att tändstiftet har en dämpare.			X

## Så justerar du tomgångsvarvtalet

Högvarvsnälen och lågvarvsnälen är permanent inställda och kan inte justeras. Tomgångsvarvtalet är den enda funktion som kan justeras.

1. Starta motorn och se till att den är varm innan du börjar justera tomgångsvarvtalet.
2. Vrid tomgångsjusteringsskruven medurs tills skärutrustningen börjar rotera.



3. Vrid tomgångsjusteringsskruven moturs tills skärutrustningen stannar.
4. Tomgångsvarvtalet ska vara lägre än det varvtal då skärutrustningen börjar rotera. Tomgångsvarvtalet är korrekt när motorn arbetar jämnt i alla positioner.

## Underhåll av ljuddämparen

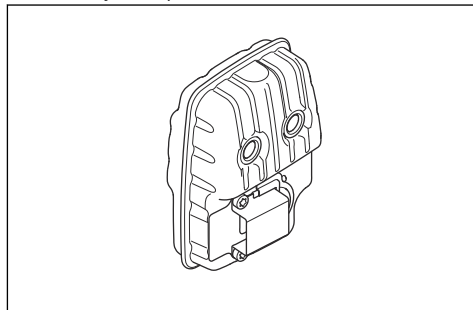
Ljuddämparen minskar ljudnivån och leder bort avgaserna från användaren.



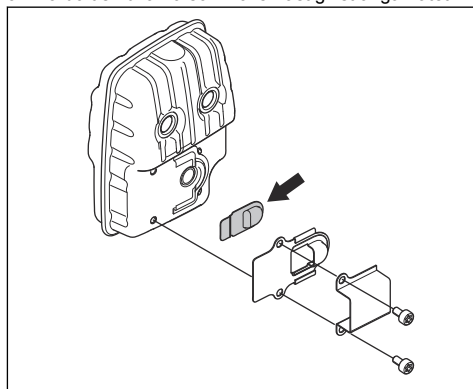
**VARNING:** Ljuddämpare som har katalysatorer blir mycket heta under användning och fortsätter att vara heta en stund efter att du har stoppat produkten. Detta gäller även vid tomgångskörning. Om du vidrör produkten kan det orsaka brännskador på huden. Tänk på brandrisken.

1. Stäng av produkten och låt den svalna.

2. Ta bort ljuddämparen.



3. Ta bort skruvarna som håller fast gnistfångarnätet.



4. Rengör gnistfångarnätet om det är igensatt eller byt ut det om det är skadat.



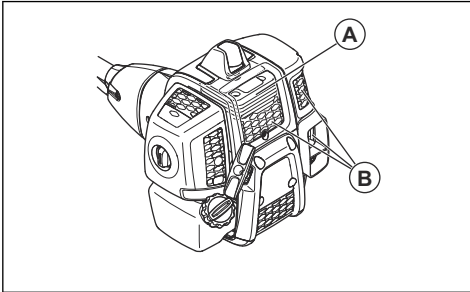
**OBSERVERA:** Vid eventuella skador på gnistskyddet skall detta bytas. Använd inte produkten om gnistskyddet på ljuddämparen saknas eller är defekt.



**OBSERVERA:** Om gnistskyddet ofta är igensatt kan det vara ett tecken på att katalysatorns funktion är nedsatt. Kontakta din serviceverkstad om ljuddämparen är i behov av en översyn. Ett igensatt gnistskydd orsakar överhettning och leder till skador på cylinder och kolv.

## Rengöra/underhålla kylsystemet

Denna produkt har ett kylsystem. Ett smutsigt eller igensatt kylsystem kan leda till överhettning av produkten med skador på cylinder och kolv som följd. Kontrollera och rengör kylsystemet med en borste en gång i veckan eller oftare under krävande förhållanden. Kylsystemet har kylflänsar på cylindern (A) och luftintaget (B).



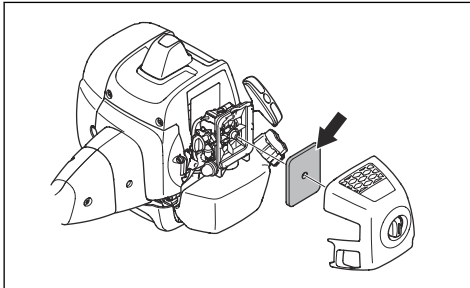
## Luftfilter

Ett smutsigt luftfilter kan orsaka förgasarfel, startproblem, sämre effekt och slitage på motorns delar. Det gör också att motorn förbrukar mer bränsle än nödvändigt. Rengör filtret med ett intervall på åtta timmar, eller oftare om produkten används i en dammig miljö.

**Notera:** En justering av motorn kan behövas om luftfiltret har rengjorts eller byts ut. Se *Så justerar du tomgångsvarvtalet på sida 47*.

## Rengöra och inspektera luftfiltret

1. Demontera luftfiltret.



2. Rengör filtluftfiltret med tryckluft.

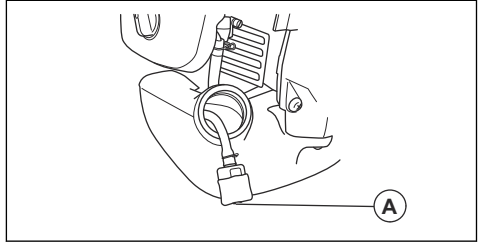


**OBSERVERA:** Byt ut filtluftfiltret om det inte blir helt rent. Byt alltid ut ett skadat filtluftfilter.

3. Rengör insidan av luftfilterkåpan. Använd tryckluft eller en borste.

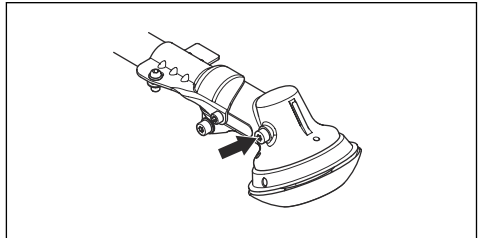
## Bränslefilter

Om motorn får för lite bränsle ska du se till att luftpåslutningen på bränsletankklocket och bränslefiltret (A) är rent.



## Vinkelväxel

Vinkelväxeln fylls med lämplig mängd fett på fabriken. Men innan du använder produkten ska du se till att vinkelväxeln är 3/4 full med fett. Använd specialfett från McCulloch.



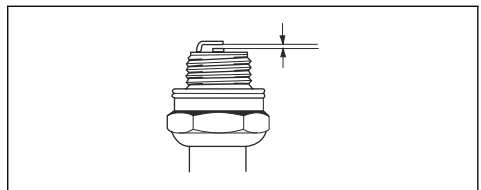
Det är inte nödvändigt att byta ut fettet i vinkelväxeln om inte vinkelväxeln repareras.

## Så undersöker du tändstiftet



**OBSERVERA:** Använd alltid rekommenderad tändstiftstyp. Fel typ av tändstift kan orsaka skador på produkten.

- Undersök tändstiftet om motorn har låg effekt, är svår att starta eller inte fungerar korrekt vid tomgångsvarvtal.
- Följ dessa instruktioner om du vill minska risken för oönskat material på tändstiftets elektroder:
  - a) Se till att tomgångsvarvtalet är korrekt justerat.
  - b) Se till att bränsleblandningen är korrekt.
  - c) Se till att luftfiltret är rent.
- Om tändstiftet är smutsigt rengör du det och ser till att elektrodavståndet är korrekt, se *Tekniska data på sida 49*.





- Byt ut tändstiftet vid behov.

## Tekniska data

	B40 B Elite	B40 BT Elite
<b>Motor</b>		
Cylindervolym, cm <sup>3</sup>	40,1	40,1
Cylinderdiameter Ø mm	40,5	40,5
Cylinderns slaglängd, mm	31,1	31,1
Tomgångsvarvtal, varv/min	3 000	3 000
Rekommenderat max rusvarvtal, r/min	12 000	12 000
Varvtal på utgående axel, r/min	8 220	8 220
Max. motoreffekt enligt ISO 8893, kW vid varv/min	1,5 vid 9 000	1,5 vid 9 000
<b>Tändsystem</b>		
Tändstift	NGK CMR7H-10	NGK CMR7H-10
Elektroddgap, mm	0,9–1,0	0,9–1,0
<b>Bränsle-/smörjsystem</b>		
Tillverkare/typ av förgasare	Ruixing H225D-	Ruixing H225D-
Bränsletankvolym, l/cm <sup>3</sup>	1/1000	1/1000
<b>Vikt</b>		
Utän bränsle, skärutrustning och skydd, kg	7,3	7,4
<b>Emission av buller<sup>4</sup></b>		
Ljudeffektnivå, uppmätt dB(A)	112	112
Ljudeffektnivå, garanterad L <sub>WA</sub> dB(A)	118	118
<b>Ljudnivåer<sup>5</sup></b>		
Ekvivalent ljudtrycksnivå vid användarens öra, uppmätt enligt SS-EN ISO 11806 och ISO 22868, dB(A), min/max.		
Utrustad med trimmerhuvud (original)	100	100
Utrustad med gräsklinga (original)	99	99
Utrustad med sågklinga (original)	–	99
<b>Vibrationsnivåer<sup>6</sup></b>		
Vibrationsnivåer (a <sub>h<sub>v</sub>,eq</sub> ) i handtag, uppmätt enligt SS-EN ISO 11806 och SS-EN ISO 22867, m/s <sup>2</sup>		
Utrustad med trimmerhuvud (original), vänster/höger	3,4 / 4,4	3,4 / 4,4

<sup>4</sup> Emission av buller till omgivningen uppmätt som ljudeffekt (L<sub>WA</sub>) enligt EG-direktiv 2000/14/EG. Rapporterad ljudeffektnivå för maskinen har uppmätts med den originalsärutrustning som ger den högsta nivån. Skillnaden mellan garanterad och uppmätt ljudeffekt är att den garanterade ljudeffekten även inkluderar spridning i mätresultat och variation mellan exemplar av samma modell enligt Direktiv 2000/14/EG.

<sup>5</sup> Redovisade data för ljudtrycksnivå har ett typiskt spridningsmått (standardavvikelse) på 1 dB(A).

<sup>6</sup> Rapporterade data för vibrationsnivå har en typisk statistisk spridning (standardavvikelse) på 1 m/s<sup>2</sup>.

	<b>B40 B Elite</b>	<b>B40 BT Elite</b>
Utrustad med gräsklinga (original), vänster/höger	5,2 / 5,1	5,2 / 5,1
Utrustad med sågklinga (original), vänster/höger	–	4,5 / 4,2

<b>B40 B Elite, B40 BT Elite</b>		
<b>Godkända tillbehör</b>	<b>Typ</b>	<b>Skydd för skärutrustning, Art. nr.</b>
Centrumhål i klingor/knivar Ø 25,4 mm		
Gänga klingaxel M12		
Gräsklinga/gräskniv	Gräsklinga 255-4 1 tum (Ø 255 4 tänder)	580 30 50-01
	Gräsklinga 255-3 (Ø 255, 3 tänder)	580 30 50-01
Sågblad	Sågklinga 200-22 (Ø 200-22 tänder)	581 33 84-01
Trimmerhuvud	P35	580 30 50-01
Stödkopp	Fast	–

---

# EG-försäkran om överensstämmelse

---

## EG-försäkran om överensstämmelse

**Husqvarna AB**, 561 82 Huskvarna, Sverige, tel: +46-36-146500, försäkrar härmed att trimmern **McCulloch B40 B Elite** med serienummer från 2021 och framåt (året anges tydligt på typskylten, följt av serienumret) motsvarar föreskrifterna i RÅDETS DIREKTIV:

- av den 17 maj 2006 "angående maskiner" **2006/42/EG**
- av den 26 februari 2014 "angående elektromagnetisk kompatibilitet" **2014/30/EU**
- av den 8 maj 2000 "angående emission av buller i miljön" **2000/14/EU** Bedömning av överensstämmelse enligt bilaga V. För information angående bulleremissionerna, se kapitel Tekniska data.
- av den 8 juni 2011 angående "begränsning av användning av vissa farliga ämnen i elektrisk och elektronisk utrustning" **2011/65/EU**

Följande standarder har tillämpats:

**EN ISO 12100:2010, CISPR 12:2007+A1:2009, EN ISO 14982:2009, EN ISO 11806-1:2011, EN IEC 63000:2018**

RISE SMP Svensk Maskinprovning AB, Box 7035, SE-750 07 Uppsala, Sweden har utfört frivillig typkontroll på uppdrag av Husqvarna AB. Certifikaten har nummer: **SEC/12/2339** – B40 B Elite, B40 BT Elite

RISE SMP Svensk Maskinprovning AB har även intygat överensstämmelse med bilaga V till rådets direktiv 2000/14/EG.

Huskvarna, 2020-08-25



Pär Martinsson, utvecklingschef (auktoriserad representant för Husqvarna AB och ansvarig för tekniskt underlag)

---

## Indhold

---

Indledning.....	52	Vedligeholdelse.....	71
Sikkerhed.....	55	Tekniske data.....	75
Montering.....	62	EU-overensstemmelseserklæring.....	77
Drift.....	66	.....	0

---

## Indledning

---

### Produktbeskrivelse

Produktet er en buskrydder med en forbrændingsmotor.

Der arbejdes konstant på at øge din sikkerhed og effektivitet under drift. Spørg serviceforhandleren for at få yderligere oplysninger.

### Anvendelsesformål

Brug produktet med en savklinge, græsklinge eller et trimmerhoved til at beskære forskellige typer vegetation.

Brug ikke produktet til andre opgaver end græstrimming, græsrydning og skovrydning. Brug en savklinge til skæring af trævlede træsorter. Brug en græsklinge eller et trimmerhoved til at slå græs.

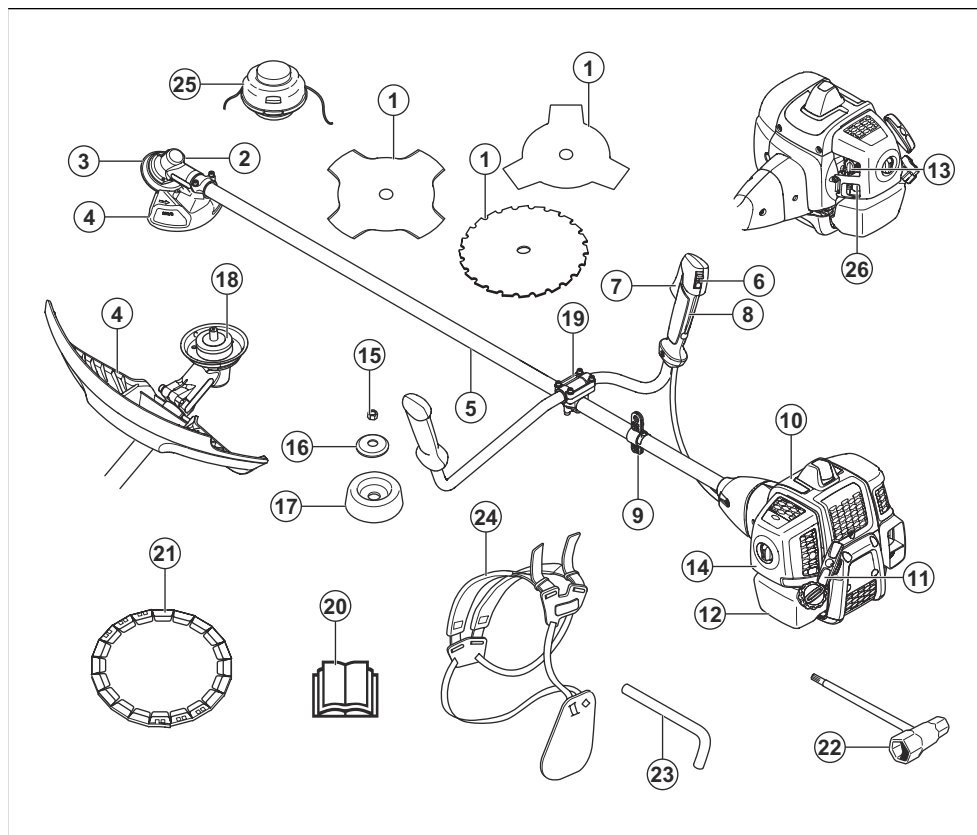
---

**Bemærk:** Nationale eller lokale bestemmelser kan regulere brugen. Overhold de gældende bestemmelser.

---

Brug kun produktet med tilbehør, der er godkendt af producenten. Se *Tekniske data på side 75*.

## Produktoversigt



- |  |  |
|--|--|
| <ul style="list-style-type: none"> <li>1. Klinge (ikke til alle markeder)</li> <li>2. Påfyldning af smøremiddel, vinkelgear</li> <li>3. Vinkelgear</li> <li>4. Beskyttelse til skæreudstyr</li> <li>5. Skaft</li> <li>6. Stopkontakt</li> <li>7. Gasregulering</li> <li>8. Gasreguleringslås</li> <li>9. Ophængsbeslag</li> <li>10. Cylinderdæksel</li> <li>11. Starthåndtag</li> <li>12. Brændstoftank</li> <li>13. Chokerhåndtag</li> <li>14. Luftfilterdæksel</li> <li>15. Låsemøtrik</li> <li>16. Støtteflange</li> <li>17. Støttekop</li> <li>18. Medbringerhjul</li> </ul> | <ul style="list-style-type: none"> <li>19. Styrklemme</li> <li>20. Brugsanvisning</li> <li>21. Transportbeskyttelse (ikke for alle markeder)</li> <li>22. Topnøgle</li> <li>23. Låsepind (til produkter uden unbrakonøgle)</li> <li>24. Rygsæksle</li> <li>25. Trimmerhoved</li> <li>26. Brændstofpumpebold</li> </ul> |
|--|--|

### Symboler på produktet



**ADVARSEL!** Dette produkt er farligt. Personskade eller død kan forekomme hos brugeren eller personer i nærheden, hvis produktet ikke anvendes forsigtigt og korrekt. For at undgå, at brugeren eller personer i nærheden kommer til skade, skal alle sikkerhedsinstruktioner i brugsanvisningen læses og overholdes.



Læs brugsanvisningen omhyggeligt igennem, og sørg for at have forstået instruktionerne, inden du bruger produktet.



Brug en beskyttelseshjelm på steder, hvor du kan få genstande i hovedet. Brug godkendt høreværn. Brug godkendt øjenværn.



Brug godkendte beskyttelseshandsker.



Brug altid kraftige, skridsikre støvler.



Produktet kan forårsage, at genstande slynges ud, hvilket kan forårsage personskade.



Maksimalt omdrejningstal for udgående aksel.



Hold en afstand på mindst 15 m/49 fod til personer og dyr under brug af produktet.



Der er risiko for kickback, hvis skæreudstyret rammer en genstand, som ikke omgænde skæres over. Produktet kan afskære kropsdele. Hold en afstand på mindst 15 m/50 fod til personer og dyr under brug af produktet.



Brug altid en fleksibel skæreledning. Brug ikke skæreelementer af metal. Anvend dette til græsbeskyttelsestilbehør.



Pilene viser grænsen for styrets position.



Brændstofpumpebold.



Brændstofpåfyldning.



Choker.



Emission af støj og miljøpåvirkning i henhold til EU-direktiv 2000/14/EF og New South Wales' lovgivning om "Beskyttelse af miljøet (støjbegrensning) forordning 2017". Data om emission af støj findes på maskinens mærkat og i *Tekniske data på side 75*.



Produktet er i overensstemmelse med gældende EF-direktiver.

yyyywwxxxx

Typeskiltet eller laserskriften viser serienummeret. **yyyy** er produktionsåret, **ww** er produktionsugen.

---

**Bemærk:** Andre symboler/mærkater på produktet henviser til certificeringskrav i andre handelsområder.

---

## Produktansvar

Som nævnt i produktansvarsbestemmelserne hæfter vi ikke for skader forårsaget af vores produkt, hvis:

- produktet er forkert repareret.
- produktet er repareret med dele, der ikke er fra producenten eller ikke er godkendt af producenten
- produktet har tilbehør, der ikke er fra producenten eller ikke er godkendt af producenten.
- produktet ikke er repareret på et godkendt servicecenter eller af en godkendt myndighed.

## Euro V-emissioner



**ADVARSEL:** Ved manipulation af motoren bortfalder EU-typegodkendelsen af dette produkt.

---

---

# Sikkerhed

---

## Sikkerhedsdefinitioner

Definitionerne nedenfor angiver alvorligheden for hvert enkelt signalord.



**ADVARSEL:** Skade på personer.



**BEMÆRK:** Beskadigelse af produktet.

**Bemærk:** Disse oplysninger gør det lettere at bruge produktet.

## Generelle sikkerhedsinstruktioner



**ADVARSEL:** Læs følgende advarselsinstruktioner, inden du bruger produktet.

- Dette produkt danner et elektromagnetisk felt under drift. Dette felt kan i nogle tilfælde påvirke aktive eller passive medicinske implantater. For at reducere risikoen for alvorlige eller dødbringende kvæstelser anbefaler vi, at personer med medicinske implantater kontakter deres læge og producenten af det medicinske implantat, før de tager produktet i brug.
- Brug ikke produktet, hvis du er træt, syg eller påvirket af alkohol, narkotika eller medicin. Det har en negativ virkning på synet, overblikket, koordinationssevnen og dømmekraften.
- Brug ikke produktet i dårligt vejr, f.eks. tæt tåge, kraftig regn, hård vind og intens kulde. Betjening i dårligt vejr kan gøre dig træt og gøre det mere risikabelt, f.eks. i form af glatte underlag og uforudsigelig faldretning.
- Vær altid forsigtig, og brug din sunde fornuft. Hvis du bliver usikker i forhold til en arbejdssituation eller på betjeningsprocedurerne, efter at du har læst brugsanvisningen, skal du kontakte en serviceforhandler, før du fortsætter.
- Fjern tændhætten, hvis du efterlader produktet uden opsyn.

## Sikkerhedsinstruktioner til montering



**ADVARSEL:** Læs følgende advarselsinstruktioner, inden du bruger produktet.

- Brug godkendte beskyttelseshandsker, når du samler produktet og skæreudstyret.
- Fjern tændrørshatten fra tændrøret inden samling af produktet.
- Sørg for, at korrekt styr og skæreudstyr er samlet, før produktet anvendes.
- En fejlbehæftet eller forkert afskærmning til skæreudstyr kan forårsage personskade. Skæreudstyret må ikke anvendes, hvis en godkendt afskærmning ikke er monteret.
- Tilslut koblingsdækslet og akslen korrekt, før du starter produktet.
- Medbringerhjulet og støtteflangen skal indkobles korrekt i skæreudstyrets midterste hul. Skæreudstyr, som er forkert monteret, kan forårsage personskade eller dødsfald.
- Fastgør selen til produktet for at forebygge personskade på operatøren eller andre.

## Sikkerhedsinstruktioner for betjening



**ADVARSEL:** Læs følgende advarselsinstruktioner, inden du bruger produktet.

- Læs om og forstå forskellen på skovrydning, græsrydning og græstrimming før brug af produktet.
- Bær personligt beskyttelsesudstyr. Se *Personligt beskyttelsesudstyr på side 56*.
- Langvarig eksponering for støj kan medføre permanente høreskader. Brug altid godkendt høreværn.
- Lyt efter advarselssignaler og højrestede stemmer, når du bruger høreværn. Tag altid høreværnet af, når motoren standser.
- Brug aldrig produktet, hvis det er blevet ændret eller er defekt.
- Sørg for, at tændhætten og tændkablet er intakte for at undgå risikoen for elektrisk stød.
- Kig rundt i arbejdsområdet for at sikre, at hverken personer, dyr eller genstande har en negativ indvirkning på sikkerheden, når produktet betjenes.
- Kig rundt i arbejdsområdet for at sikre, at ingen personer eller dyr berører skæreudstyret eller rammes af genstande, der kastes ud af skæreudstyret.
- Brug ikke produktet i situationer eller på steder, hvor du kan ikke få hjælp, hvis der sker et uheld.
- Undlad at bruge produktet uden godkendt afskærmning til skæreudstyret.
- Sørg for, at personer og dyr er mindst 15 m/50 fod væk under arbejdet. Kig altid bag dig, før du drejer med produktet. Stop produktet med det samme, hvis der befinder sig personer eller dyr inden for sikkerhedszonen på 15 m/50 fod. Hvis mere end 1

person arbejder i det samme område, skal der altid være en sikkerhedsafstand på mindst 2 gange træets højde og mindst 15 m/50 fod.

- Undersøg arbejdsområdet. Undgå løse genstande, f.eks. sten, knust glas, søm, ståltråd og snor, som kan slynges ud eller sno sig ind i skæreudstyret.
- Sørg for, at du kan bevæge dig sikkert og har en sikker arbejdsstilling. Undersøg området omkring dig for forhindringer, f.eks. rødder, sten, grene og grøfter. Vær forsigtig ved arbejde på skråninger.



- Stræk dig ikke for langt. Sørg altid for at have en stabil fodstilling og en god balance.
- Læg produktet på en plan flade, som er mindst 3 m /10 fod fra brændstoffikilden og det sted, hvor du påfylder brændstof, inden du starter produktet. Sørg for, at der ikke er nogen genstande i nærheden af eller som berører skæreudstyret.
- Hvis skæreudstyret roterer i tomgang, skal det justeres af et serviceværksted. Undlad at bruge produktet, indtil det er blevet korrekt indstillet eller repareret.
- Hold øje med udkastede genstande. Brug altid godkendt øjenværn, og hold afstand til skæreudstyrsskærmen. Sten og andre små genstande kan ryge ind i dine øjne og forårsage blindhed eller andre skader.
- Læg aldrig maskinen ned på jorden med motoren i drift, uden at du har den under opsyn.
- Fjern ikke afskåret materiale, og lad ikke andre personer fjerne afskåret materiale, mens motoren kører eller skæreudstyret roterer, da det kan resultere i alvorlig skade.
- Stands motoren og sørg for, at skæreudstyret ikke roterer, inden du fjerner materiale, som har viklet sig om knivakslen eller som er fanget mellem afskærmningen og skæreudstyret.
- Vær forsigtig, når du fjerner materiale fra området omkring skæreudstyret. Vinkelgearet bliver varmt under driften og kan forårsage forbrændinger.
- Motorens udstødningsgasser er varme og kan indeholde gnister. Brandfare. Vær forsigtig i nærheden af tørt og brændbart materiale.
- Brug aldrig produktet indendørs eller på steder med dårlig udluftning. Udstødningsgasser indeholder kullite, som er en lugtfri, giftig og ekstremt farlig gas.

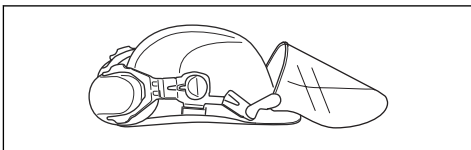
- Stop motoren, inden du går hen til et andet arbejdsområde. Fastgør altid transportbeskyttelsen, inden du flytter udstyret.
- Overeksponering af vibrationer kan føre til kredsløbsforstyrrelser og skader på nervesystemet hos personer med kredsløbsforstyrrelser. Tal med din læge, hvis du får symptomer på overeksponering af vibrationer. Som eksempler på sådanne symptomer kan nævnes følelsesløshed, mangel på følesans, 'kildren', 'stikken', smerte, manglende eller reduceret styrke, forandringer i hudens farve eller i dens overflade. Disse symptomer opstår almindeligvis i fingre, hænder og håndled. Risiciene kan øges ved lave temperaturer.

## Personligt beskyttelsesudstyr

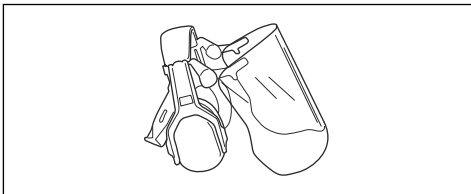


**ADVARSEL:** Læs følgende advarelsinstruktioner, inden du bruger produktet.

- Brug godkendt personligt beskyttelsesudstyr, når du bruger produktet. Personligt beskyttelsesudstyr udelukker ikke fuldstændigt risikoen for personskader, men det mindsker graden af skaderne i tilfælde af, at der skulle ske en ulykke. Lad forhandleren hjælpe dig med at vælge det rigtige udstyr.
- Brug en hjelm, hvis træerne i arbejdsområdet har en højde på mere end 2 meter/6,5 fod.



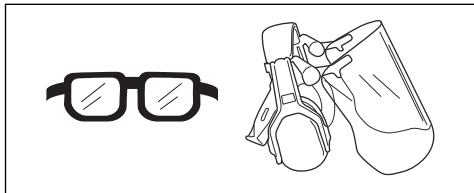
- Brug godkendt høreværn.



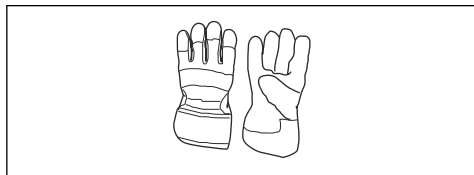
- Brug godkendt øjenværn. Hvis du bruger et ansigtsværn, skal du også bruge godkendte beskyttelsesbriller. Godkendte beskyttelsesbriller skal være i overensstemmelse med den



amerikanske standard ANSI Z87.1 eller EU-standarden EN 166.



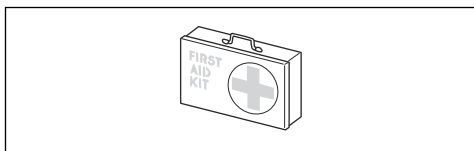
- Brug om nødvendigt beskyttelseshandsker, f.eks. ved montering, eftersyn og rengøring af skæreudstyret.



- Brug beskyttelsessko med stålsnude og skridsikre såler.



- Brug beklædning, der er lavet af et stærkt materiale. Brug altid kraftige lange bukser og lange ærmer. Brug ikke løstsiddende tøj, som kan sætte sig fast i buske og grene. Brug ikke smykker, korte bukser eller sandaler. Du må ikke gå med bare fødder. Sæt håret op i en sikker højde, dvs. over skulderen.
- Hav førstehjælpsudstyr i nærheden.



## Sikkerhedsanordninger på produktet

Se *Beskyttelse til skæreudstyr på side 58* for oplysninger om, hvor sikkerhedsanordningerne findes.



**ADVARSEL:** Læs følgende advarselsinstruktioner, inden du bruger produktet.

- Brug ikke et produkt med defekte sikkerhedsanordninger. Udfør regelmæssigt en kontrol af samt vedligeholdelse på

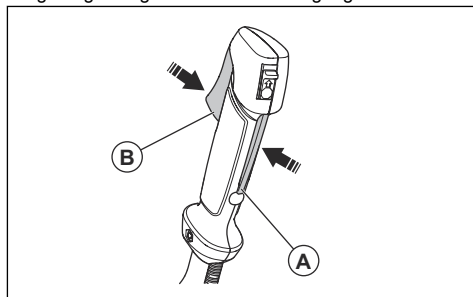
sikkerhedsanordningerne. Hvis sikkerhedsanordningerne er defekte, skal du henvende dig til dit McCulloch-serviceværksted.

- Lav ikke om på sikkerhedsanordningerne. Produktet må ikke bruges, hvis beskyttelsesdæksler, sikkerhedsafbrydere eller andre sikkerheds-/ beskyttelsesanordninger er defekte.
- Det kræver specialuddannelse at udføre service og alle former for reparation på produktet, især på sikkerhedsanordningerne. Hvis sikkerhedsanordningerne ikke består de kontroller, der fremgår af brugsanvisningen, skal du henvende dig til et serviceværksted for hjælp. Vi garanterer, at du kan få professionelt udførte reparationer og service. Hvis forhandleren ikke er et serviceværksted, kan vedkommende oplyse om nærmeste serviceværksted.
- Brug ikke skæreudstyret uden en godkendt og korrekt monteret skæreudstyrsskærm. Se *Tekniske data på side 75*.

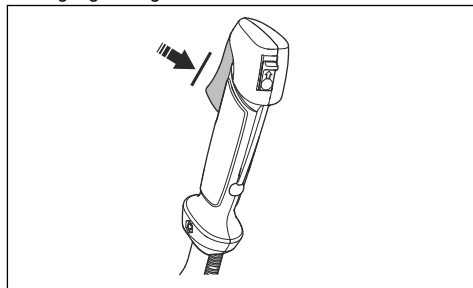
## Sådan kontrolleres gasreguleringslåsen

Gasreguleringslåsen er konstrueret med henblik på at forhindre ufrivillig aktivering af gasreguleringen.

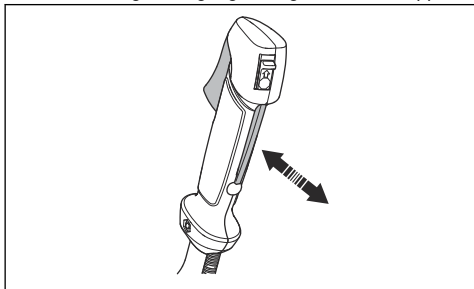
1. Tryk på gasreguleringslåsen (A) og sørg for, at gashåndtaget slippes (B). Når grebet om håndtaget slippes, sættes både gashåndtaget og gasreguleringslåsen tilbage i deres respektive udgangsstilling. Dette sker via to returfedersystemer. I udgangspositionen låses gasreguleringen automatisk i tomgang.



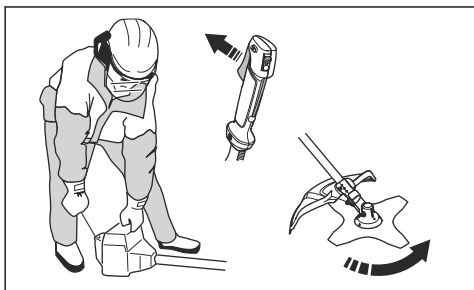
2. Kontrollér, at gashåndtaget er låst i tomgangsstilling, når gasreguleringslåsen befinder sig i udgangsstilling.



- Tryk på gasreguleringslåsen, og kontroller, at den vender tilbage til udgangsstillingen, når den slippes.

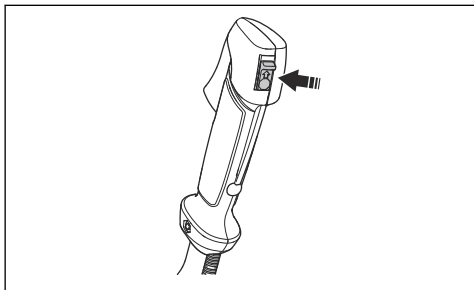


- Kontrollér, at gasreguleringen og gasreguleringslåsen går let, og at returfejdersystemet fungerer.
- Start produktet (se instruktionerne i *Sådan starter og stopper du på side 67*), og giv fuld gas.
- Slip gashåndtaget, og kontrollér, at skæreudstyret standser, og at det forbliver i stilstand. Juster karburatoren, hvis skæreudstyret bevæger sig med gashåndtaget i tomgangspostion. Se anvisningerne i kapitlet *Sådan justerer du tomgangshastigheden på side 72*.



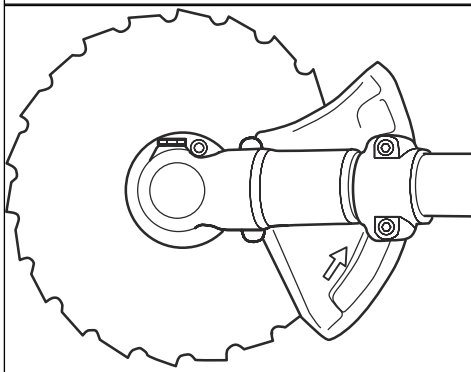
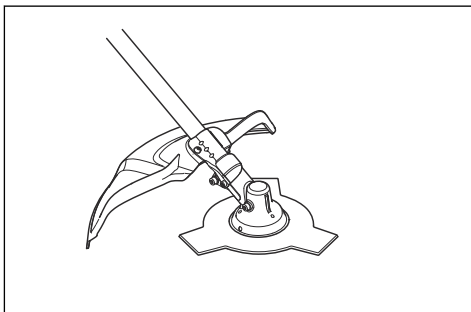
#### Sådan kontrolleres stopkontakten

- Start motoren.
- Flyt stopkontakten til stoppositionen, og se efter, om motoren standser.



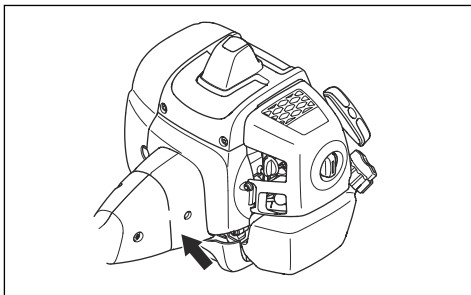
#### Beskyttelse til skæreudstyr

Beskyttelsen til skæreudstyret forhindrer, at løse genstande slynges ud i retning af brugeren. Undersøg beskyttelsen til skæreudstyret for skader, og udskift den, hvis den er beskadiget. Brug kun godkendt beskyttelse til skæreudstyret.



#### Sådan kontrolleres vibrationsdæmpningssystemet

Vibrationsdæmpningssystemet reducerer mængden af vibrationer i håndtagene til et minimum, hvilket gør betjeningen lettere.



- Stop motoren.
- Se efter deformation og skader, f.eks. revner.
- Sørg for, at vibrationsdæmpningssystemets elementer er monteret korrekt.

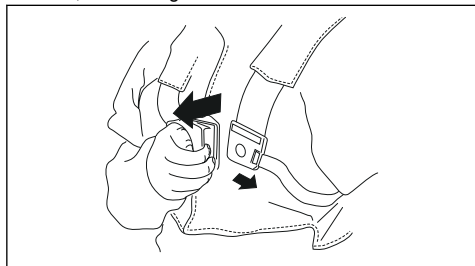
## Sådan kontrolleres snapudløsningsmekanismen



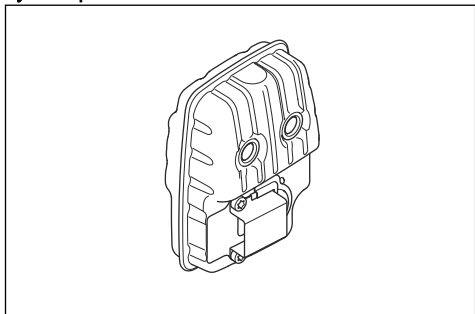
**ADVARSEL:** Brug ikke en sele med en defekt snapudløsningsmekanisme.

Med snapudløsningsmekanismen kan brugeren hurtigt tage produktet af selen i en nødsituation.

1. Stop motoren.
2. Se efter skader, f.eks. revner.
3. Udløs og påsæt snapudløsningsmekanismen for at sikre, at den fungerer korrekt.



## Lyddæmper



- Brug ikke motoren med en defekt lyddæmper. En defekt lyddæmper øger støjniveauet og risikoen for brand. Hav en brandslukker i nærheden.
- Undersøg regelmæssigt, om lyddæmperen er fastgjort til produktet.
- Rør ikke ved motoren eller lyddæmperen, når motoren er tændt. Rør ikke ved motoren eller lyddæmperen et stykke tid, efter at motoren stopper. Varme overflader kan medføre personskader.
- En varm lyddæmper kan forårsage brand. Vær forsigtig, hvis du bruger produktet i nærheden af brændbare væsker eller gasser.
- Rør ikke delene i lyddæmperen, hvis lyddæmperen er beskadiget. Delene kan indeholde visse kræftfremkaldende kemikalier.
- Rengør gnistfangeren med jævne mellemrum, hvis produktet har en gnistfanger. 🔧

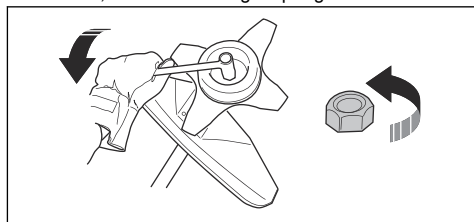
## Sådan monteres og afmonteres låsemøtrikken



**ADVARSEL:** Stop motoren, tag beskyttelseshandsker på og vær forsigtig omkring skæreudstyrets skarpe kanter.

En låsemøtrik bruges til at fastgøre visse typer skæreudstyr. Låsemøtrikken har venstregevind.

- Spænd møtrikken mod skæreudstyrets retning ved montering.
- Løsn møtrikken i skæreudstyrets retning ved afmontering.
- Brug en topnøgle med langt skaft til at løsne og spænde låsemøtrikken. Pilen på billedet viser det område, hvor du kan bruge topnøglen.



**ADVARSEL:** Ved løsning eller fastspænding af låsemøtrikken er der risiko for at skære sig på klingens. Du skal altid sørge for, at klingebeskyttelsen forhindrer skader på hånden, når du gør dette.

**Bemærk:** Sørg for, at du ikke kan dreje låsemøtrikken med hånden. Udskift møtrikken, hvis nylonbelægningen ikke har en modstand på mindst 1,5 Nm. Møtrikken skal udskiftes, når den har været skruet på ca. 10 gange.

## Skæreudstyr

Vælg og vedligehold skæreudstyret for at

- Bevare maksimal skarphed.
- Øge skæreudstyrets levetid.
- Følg instruktionerne for kontrol, vedligeholdelse og service til lyddæmperen.
- Brug altid anbefalet beskyttelse til skæreudstyret. Se Tekniske data.



**ADVARSEL:** Brug kun skæreudstyr sammen med den beskyttelse, som vi anbefaler! Se kapitlet Tekniske data. Se anvisningerne til skæreudstyret for korrekt indføring af trimmertråd og valg af korrekt diameter for trimmertråd.



**ADVARSEL:** Defekt skæreudstyr kan øge risikoen for ulykker.

- Brug kun skæreudstyr med anbefalet beskyttelse. Se *Tekniske data på side 75.*



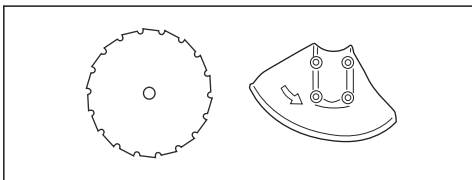
**ADVARSEL:** Stands altid motoren, inden du foretager arbejde på skæreudstyret. Denne fortsætter med at rotere, også efter at gasreguleringen er sluppet. Kontrollér, at skæreudstyret er standset helt, og fjern kablet fra tændhætten, inden du begynder at arbejde på udstyret.

## Klinger

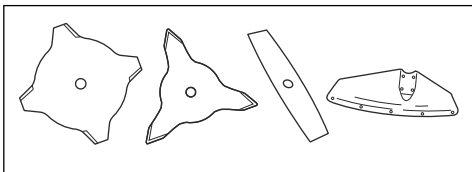
- Brug produktet med en godkendt klinge. Brug ikke en klinge uden korrekt montering af alle nødvendige dele. Sørg for, at monteringen udføres korrekt, og at der benyttes de korrekte dele. Forkert montering kan få klingen til at flyve af og forårsage skade på operatøren eller andre personer i nærheden.
- Bær beskyttelseshandsker, når du håndterer klingen eller udfører vedligeholdelse.
- Brug sikkerhedshjelm, når du betjener et produkt med en klinge.
- En klinge kan forårsage personskade, når den roterer, efter motoren standses, eller gasreguleringen slippes. Sørg for, at klingen er helt holdt op med at rotere, før der udføres vedligeholdelse.
- Stands motoren, inden du foretager arbejde på skæreudstyret. Sørg for, at skæreudstyret helt er holdt op med at rotere. Fjern kablet fra tændrøret.
- Hold klingens skæretænder i god stand og med korrekt skærping.

## Skæreudstyr

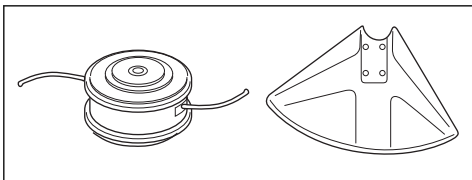
- Brug savklingen til skæring af trælede træsorter.



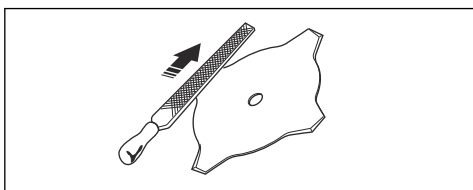
- Brug af knivene og græsknivene til at klippe kraftigt græs.



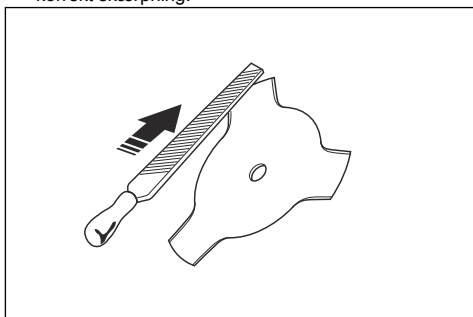
- Brug trimmerhovedet til at klippe græs.



- En forkert skærpet eller beskadiget klinge øger risikoen for ulykker. Hold klingens skæretænder i god stand og med korrekt skærping. Overhold instruktionerne *Sådan files græsknive og græsklinger på side 61*, og brug det anbefalede ryttermål.



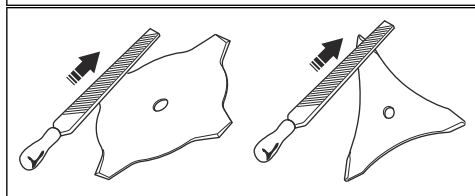
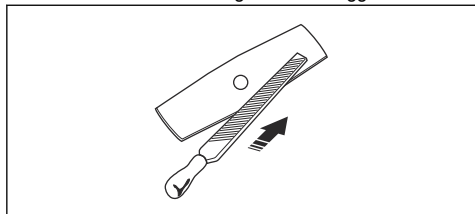
- Undersøg skæreudstirsbeskyttelse for skader og revner. Udskift beskadiget skæreudstyr.



- Brug ikke beskadiget skæreudstyr.
- Fastgør transportbeskyttelsen på klingen ved transport eller opbevaring af produktet.

## Sådan files græsknive og græsklinger

- Fil alle ægge på græsknive og -klinger lige meget for at bevare balancen. Brug en enkelthugget fladfil.

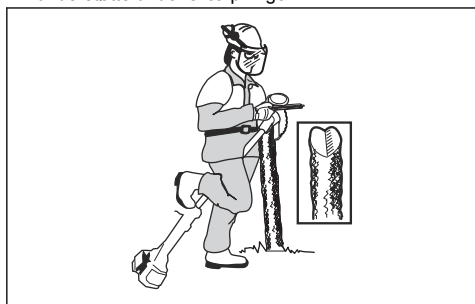


## Sådan skærpes savklingen

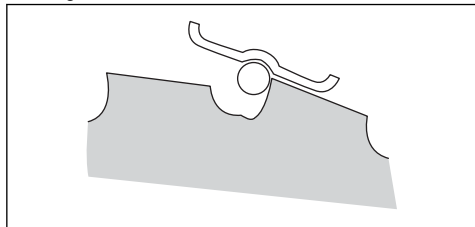


**ADVARSEL:** Stop motoren. Bær altid beskyttelseshandsker.

- Se de instruktioner, der fulgte med klingen, vedrørende korrekt skærping af klingen.
- Sørg for, at produktet og klingen er tilstrækkeligt understøtte under skærpingen.

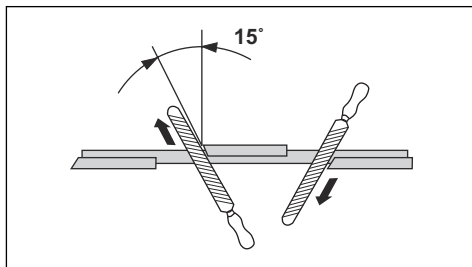


- Brug en 5,5 mm rundfil sammen med en fileholder.



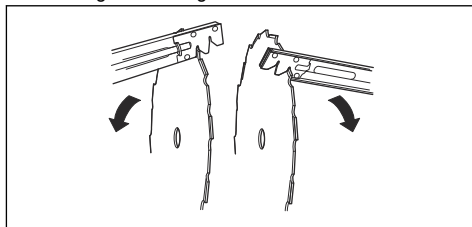
- Hold filen i en vinkel på 15°.

- Skærp én tand på savklingen i højre side og den næste tand i venstre side. Se illustrationen.



**Bemærk:** Skærp tandens kanter med en fladfil, hvis klingen er stærkt slidt. Fortsæt skærpingen med en rundfil.

- Skærp alle kanter lige meget for at bevare klingens balance.
- Tilpas klingeindstillingen til 1 mm med det anbefalede indstillingsværktøj. Se instruktionerne, som fulgte med klingen.

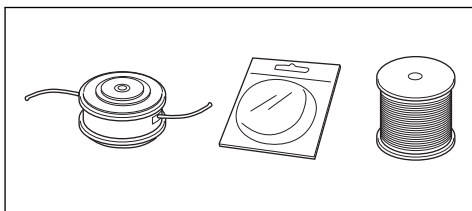


**ADVARSEL:** Kassér altid klinger, som er beskadiget. Prøv ikke at rette bøjede eller snoede klinger ud og bruge dem igen.

## Trimmerhoved



**ADVARSEL:** Sørg altid for, at trimmertråden er rullet hårdt og jævnt rundt om tromlen for at undgå skadelige vibrationer.



- Brug kun anbefalede trimmerhoveder og trimmertråde.
- Brug kun anbefalet skæredstyr.
- Mindre maskiner bruger små trimmerhoveder og omvendt.

- Trimmertrådens længde er vigtig. En længere trimmertråd kræver større motorstyrke end en kort med samme diameter på trimmertråden.
- Sørg for, at den kniv, som sidder på trimmerbeskyttelsen, er intakt. Dette skærer trimmertråden til den korrekte længde.
- Læg trimmertråden i blød i vand et par døgn før brug for at forlænge levetiden.
- Før du fylder brændstof på, skal du åbne brændstoftankens dæksel langsomt og forsigtigt udløse trykket.
- Fyld ikke brændstof på motoren i et indendørs område. Utilstrækkelig med luftstrøm kan forårsage personskader eller dødsfald på grund af kvælning eller kulilte.
- Spænd dækslet på brændstoftanken omhyggeligt, ellers kan der opstå brand.
- Flyt produktet minimum 3 m fra det sted, hvor du fyldte tanken, før du starter det.
- Fyld ikke for meget brændstof i brændstoftanken.
- Sørg for, at der ikke er lækager, når du flytter produktet eller brændstofdunken.
- Anbring ikke produktet eller en brændstofdunk på steder med åben ild, gnister eller tændflammer. Sørg for, at der ikke er åben ild i opbevaringsområdet.
- Brug kun godkendte tanke, når du flytter brændstoffet eller sætter det til opbevaring.
- Tøm brændstoftanken før langtidsopbevaring. Overhold lokal lovgivning om bortskaffelse af brændstof.
- Rengør produktet før langtidsopbevaring.
- Fjern kablet fra tændrøret inden opbevaring for at sikre, at motoren ikke starter utilsigtet.

## Brændstofsikkerhed

- Start ikke produktet, hvis der er brændstof eller motorolie på produktet. Fjern uønsket brændstof/olie og lad produktet tørre. Fjern uønsket brændstof fra produktet.
- Hvis du får brændstof på dit tøj, skal du skifte tøj med det samme.
- Undgå at få brændstof på kroppen, da det kan forårsage personskader. Hvis du får brændstof på kroppen, skal du bruge sæbe og vand til at fjerne brændstoffet.
- Start ikke motoren, hvis du får olie eller brændstof på produktet eller på din krop.
- Start ikke produktet, hvis motoren lækker. Undersøg regelmæssigt motoren for lækager.
- Vær forsigtig med brændstof. Brændstof er letantændeligt og dampe er eksplosive og kan medføre personskader eller dødsfald.
- Undgå at indånde brændstoffedampene, da det kan forårsage personskader. Sørg for, at der er tilstrækkelig luftstrøm.
- Ryg ikke i nærheden af brændstof eller motor.
- Anbring ikke varme genstande i nærheden af brændstof eller motor.
- Fyld ikke brændstof på, når motoren er tændt.
- Sørg for, at motoren er afkølet, inden du fylder brændstof på.

## Sikkerhedsinstruktioner for vedligeholdelse

- Hvis du ikke kan justere tomgangshastigheden for at stoppe skæredstyret, skal du kontakte dit servicecenter. Du må ikke bruge produktet, før produktet er indstillet korrekt eller repareret.

---

## Montering

---



**ADVARSEL:** Læs kapitlet om sikkerhed, før du samler produktet.

---

### Indledning



**ADVARSEL:** Inden brug af produktet skal du læse og forstå kapitlet om sikkerhed.

---

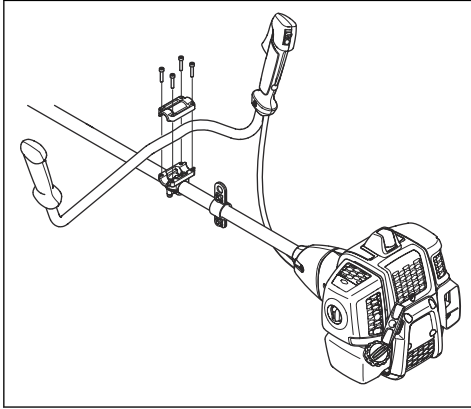


**ADVARSEL:** Fjern tændrørskablet fra tændrøret inden samling af produktet.

---

## Montering af styret

1. Fastgør styret på monteringsbeslaget som vist.



## Sådan monteres knive og trimmerhoveder



**ADVARSEL:** Brug kun godkendt beskyttelse til klinger. Se *Tekniske data på side 75*. En defekt beskyttelse kan forårsage personskade.

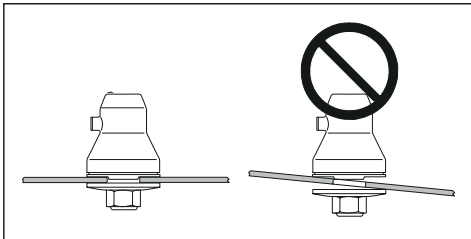


**ADVARSEL:** Hvis du benytter produktet med en græsklinge, monteres korrekt styr, klingebeskyttelse og sele først.



**ADVARSEL:** Hvis du ikke monterer klingerne korrekt, kan det medføre personskade.

1. Sørg for, at den løftede del af medbringeren/støtteflangen går korrekt i indgreb med hullet i midten af knivene.
2. Monter knivene.



## Sådan monteres klingebeskyttelse, græsklinge og græskniv

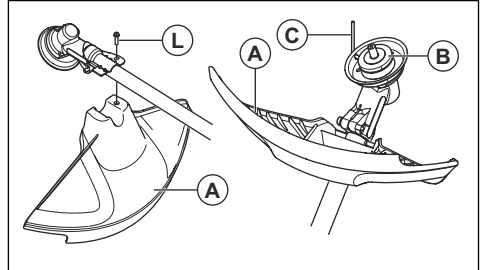


**BEMÆRK:** Brug kun godkendt beskyttelse til klinger. Se brugsanvisningen.

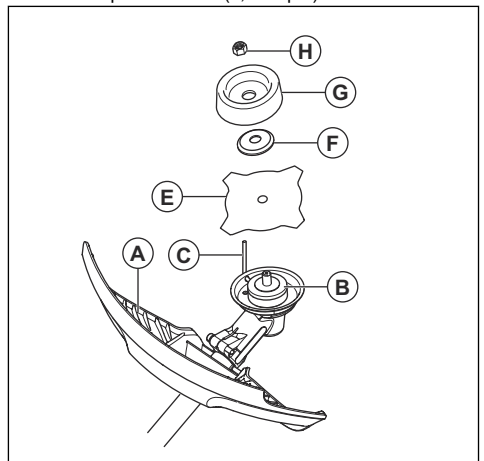


**BEMÆRK:** Sørg for, at beskyttelseskappen er afmonteret.

1. Fastgør klingebeskyttelsen/skæreudstørsbeskyttelsen (A) på akslen, og spænd den med boltene (L).



2. Monter medbringerhjulet (B) på den udgående aksel.
3. Drej den udgående aksel rundt, indtil et af medbringerhjulets huller passer sammen med det tilsvarende hul i gearhuset.
4. Sæt låsepinden (C) ind i hullet, så akslen låses.
5. Sæt klingens (E), støttekoppen (F) og støtteflangen (G) på den udgående aksel.
6. Sæt møtrikken (H) i. Anbring topnøglen så tæt som muligt på klingebeskyttelsen. Møtrikken spændes ved at dreje topnøglen i modsat retning af rotationsretningen. Møtrikken spændes med et moment på 35-50 Nm (3,5-5 kpm).

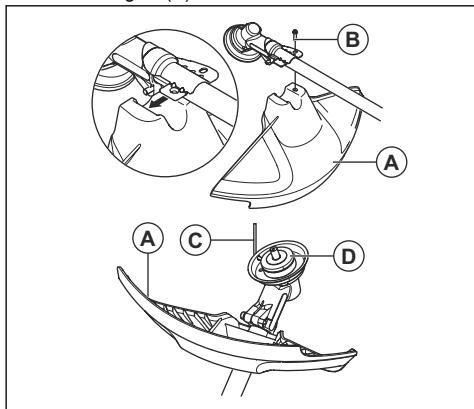


**Bemærk:** Venstregevind.

## Sådan monteres trimmerbeskyttelsen og trimmerhovedet

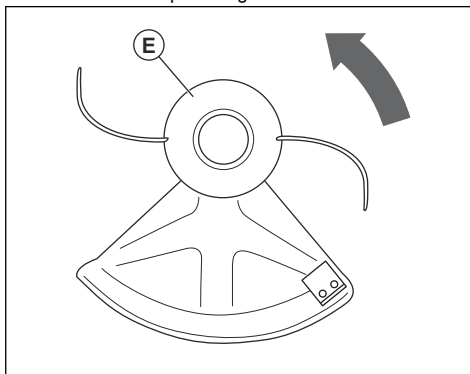
**Bemærk:** Sørg for at bruge den korrekte trimmerbeskyttelse til det korrekte trimmerhoved.

1. Fastgør den korrekte trimmerbeskyttelse/kombinationsbeskyttelse (A) for trimmerhovedet.
2. Monter trimmerbeskyttelsen/kombinationsbeskyttelsen rundt om akslen, og spænd den med bolten (B). Brug låsepinden eller unbrakonøglen (C).



3. Læg låsepinden eller unbrakonøglen (C) i sporet på skruehovedet, og spænd skruen fast.
4. Fastgør medbringerhjulet (D) på den udgående aksel.
5. Drej den udgående aksel rundt, indtil et af medbringerhjulets huller passer sammen med et tilsvarende hul i gearhuset.
6. Sæt låsepinden eller unbrakonøglen (C) ind i hullet, så akslen låses.

7. Monter trimmerhovedet/plastklingerne (E). Drej trimmerhovedet/plastklingerne mod uret.



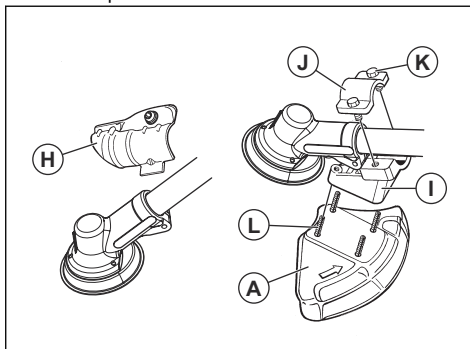
8. Afmontering sker i omvendt rækkefølge.

## Sådan monteres en klingebeskyttelse og savklinge



**BEMÆRK:** Brug kun godkendt beskyttelse til klinger. Se *Tekniske data på side 75*.

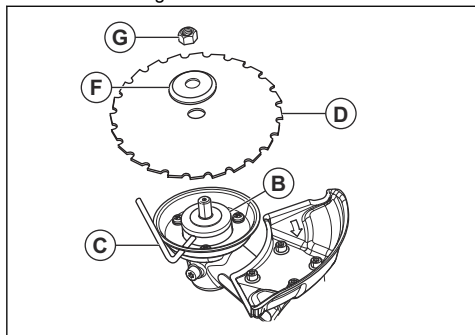
1. Demontér fæstepladen (H).
2. Monter adapteren (I) og beslaget (J) med de to skruer (K).
3. Klingebeskyttelsen (A) monteres med 4 skruer (L) mod adapteren.



4. Monter medbringerhjulet (B) på den udgående aksel.
5. Drej klingeakslen rundt, indtil et af medbringerhjulets huller passer sammen med et tilsvarende hul i gearhuset.
6. Før låsepinden (C) ind i hullet, så akslen låses.
7. Anbring klingens (D) og støtteflangen (F) på udgangsakslen.

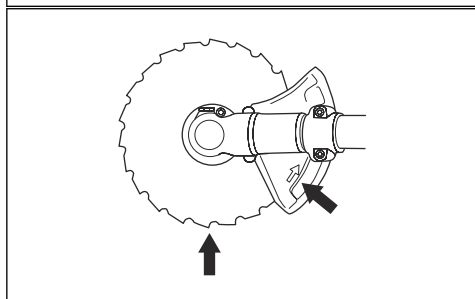
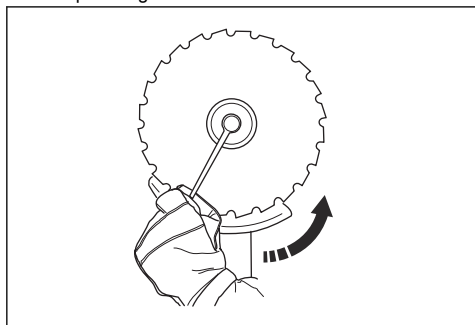


8. Monter møtrikken (G). Møtrikken skal spændes med et moment på 35-50 Nm (3,5-5 kpm). Brug topnøglen fra værktøjssættet. Hold fast i nøglens skaft så nær som muligt ved klingebeskyttelsen. Møtrikken spændes, når nøglen drejes imod rotationsretningen.



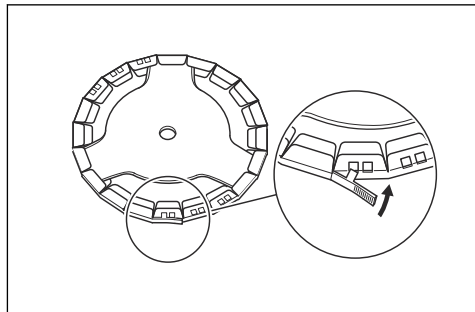
**Bemærk:** Venstregevind.

9. Ved løsning eller fastspænding af savklingens møtrik er der risiko for at skære sig på savklingens tænder. Sørg derfor for, at hånden altid er beskyttet af klingebeskyttelsen. Brug altid en topnøgle med tilstrækkeligt langt skaft for at gøre dette muligt. Pilen på billedet viser, inden for hvilket område topnøglen skal bruges ved henholdsvis løsning og fastspænding.



## Sådan monteres transportbeskyttelsen

1. Monter transportbeskyttelsen på klingens som vist på billedet.



## Sådan justeres selen

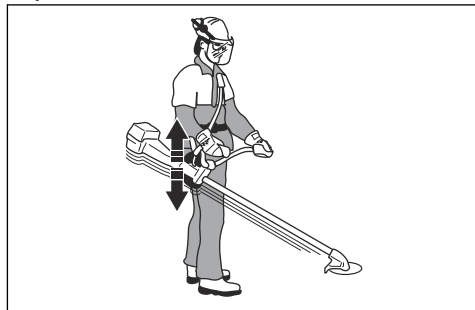


**ADVARSEL:** Produktet skal altid være sikkert fastgjort til selen. Hvis ikke, kan du ikke styre produktet sikkert, hvilket kan forårsage skade på dig selv eller andre. Brug ikke en defekt sele. Brug ikke en sele med defekt snapudløsning.

1. Tag selen på.
2. Tilslut produktet til selen.
3. Juster selen for at opnå den bedste arbejdsstilling.
4. Tilpas sideremmen, så vægten af produktet fordeles ligeligt på skuldrene.



5. Juster selen, indtil skæreudstyret løber parallelt med jorden.



6. Lad skæreudstyret hvile let mod underlaget. Juster selebeslaget, så produktet er korrekt afbalanceret.

**Bemærk:** Hvis du bruger en græsklinge, skal den balancere ca. 10 cm /4 tommer over jorden.

## Drift



**ADVARSEL:** Læs og forstå kapitlet om sikkerhed, før du betjener produktet.

## Indledning



**ADVARSEL:** Før du bruger produktet, skal du læse og forstå kapitlet om sikkerhed.

## Brændstof

Dette produkt har en totaktsmotor.



**BEMÆRK:** Forkert brændstof kan medføre beskadigelse af motoren. Brug en blanding af benzin og totaktsolie.

## Forblandet brændstof

- Brug McCulloch forblandet alkylatbenzin – det giver det bedste resultat og forlænger af motorens levetid. Dette brændstof indeholder færre skadelige kemikalier sammenlignet med almindeligt brændstof, hvilket reducerer skadelige udstødningsgasser. Mængden af rester efter forbrændingen er lavere med dette brændstof, som holder komponenterne i motoren mere rene.

## Sådan blandes brændstof

### Benzin

- Brug blyfri benzin af god kvalitet med et ethanolindhold på maks. 10 %.



**BEMÆRK:** Brug ikke benzin med et oktantal mindre end 90 RON/87 AKI. Brug af et lavere oktantal kan forårsage motorbanken, hvilket beskadiger motoren.

### Totaktsolie

- De bedste resultater opnås ved anvendelse af McCulloch-totaktsolie.
- Hvis du ikke kan få fat i McCulloch-totaktsolie, kan du også bruge en anden totaktsolie af høj kvalitet, som er beregnet til luftkølede motorer. Tal med din serviceforhandler om valg af den korrekte olie.



**BEMÆRK:** Brug aldrig totaktsolie til vandafkølede udenbordsmotorer, såkaldt

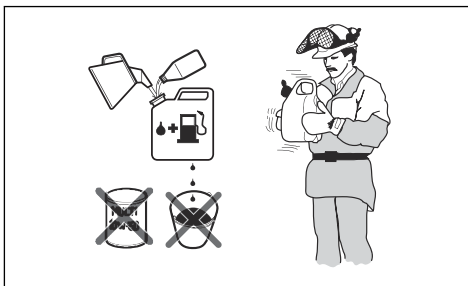
outboardoil. Brug ikke olie beregnet til firetaktsmotorer.

## Sådan blandes benzin og totaktsolie

Benzin, liter	Totaktsolie, liter
	<b>2 % (50:1)</b>
5	0,10
10	0,20
15	0,30
20	0,40
US gallon	US fl. oz.
1	2 ½
2 1/2	6 ½
5	12 ¾



**BEMÆRK:** Små fejl kan påvirke forholdet i blandingen drastisk, hvis du blander små mængder brændstof. Mål omhyggeligt mængden af olie, og sørg for, at du får den rigtige blanding.



1. Fyld halvdelen af mængden af benzin i en ren beholder til brændstof.
2. Tilføj al olien.
3. Ryst brændstofblandingen.
4. Hæld den resterende mængde over i beholderen.
5. Ryst brændstofblandingen omhyggeligt.



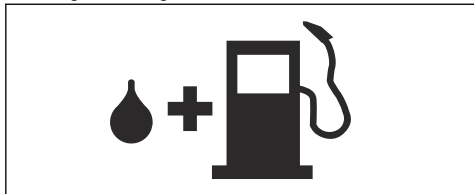
**BEMÆRK:** Bland ikke brændstof til mere end 1 måned ad gangen.

## Sådan fyldes brændstoftanken



**ADVARSEL:** Følg nedenstående fremgangsmåde for din egen sikkerheds skyld.

1. Stands motoren, og lad den blive kold.
2. Rengør omkring brændstoftankens dæksel.



3. Ryst beholderen, og sørg for, at brændstoffet er helt blandet.
4. Afmonter brændstoftankens dæksel langsomt for at aflaste trykket.
5. Fyld brændstoftanken.



**BEMÆRK:** Sørg for, at der ikke er for meget brændstof i tanken. Brændstoffet udvider sig, når det bliver varmt.

6. Spænd brændstoftankens dæksel helt.
7. Afrens spildt brændstof på og omkring produktet.
8. Flyt produktet mindst 3 m/10 fod væk fra tankningsstedet og -kilden, inden det startes.

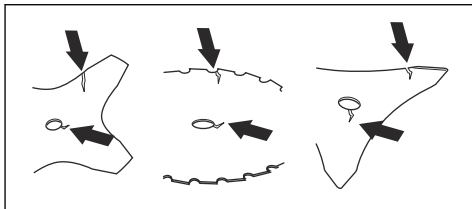
**Bemærk:** Se *Produktoversigt på side 53* for at se, hvor brændstoftanken sidder på produktet.

## Sådan starter og stopper du

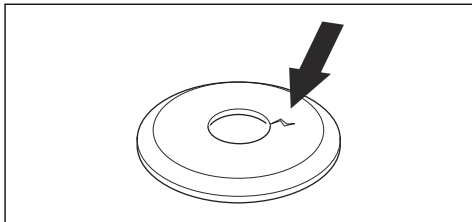
### Før du bruger produktet

- Undersøg arbejdsområdet for at sikre, at du kender terrænet, at du ved, om jorden skrâner, og om der er forhindringer, f.eks. sten, grene og grøfter.
- Efterse produktet omhyggeligt.
- Udfør alle sikkerhedseftersyn samt service og vedligeholdelse, som fremgår af denne instruktionsbog.
- Sørg for, at alle dæksler, beskyttelsesskærme, håndtag og skæreudstyr er korrekt monteret og er intakte.

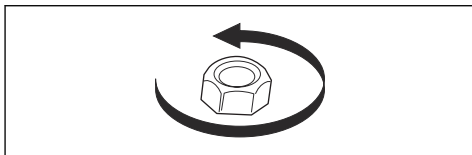
- Sørg for, at der ikke er revner i bunden af savklingen eller græsklingens tænder eller ved hullet i midten af klingen. Udskift klingen, hvis den er beskadiget.



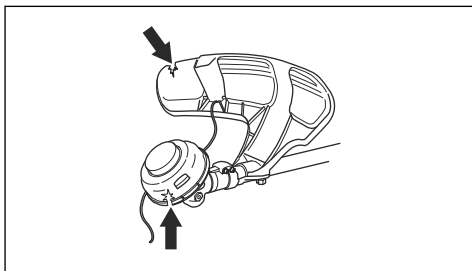
- Undersøg støtteflangen for revner. Udskift støtteflangen, hvis den er beskadiget.



- Sørg for, at låsemøtrikken ikke kan fjernes med hånden. Hvis du kan fjerne den med hånden, fastlåses skæreudstyret ikke tilstrækkeligt, og den skal derfor udskiftes.



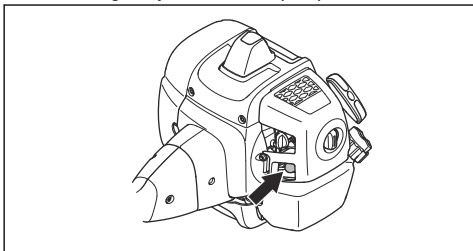
- Efterse klingebeskyttelsen for skader og revner. Udskift klingebeskyttelsen, hvis den er blevet ramt eller er revnet.
- Undersøg trimmerhovedet og skæreudstyrsskærmen for skader og revner. Udskift trimmerhovedet og skæreudstyrsskærmen, hvis de er blevet ramt eller er revnet.



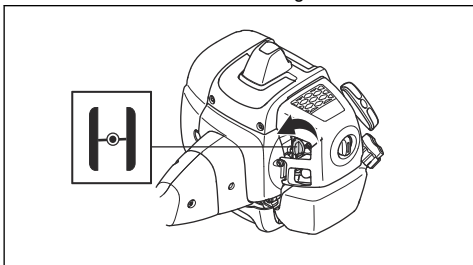
### Sådan startes motoren

1. Anbring produktet på en plan og stabil overflade. Hold skæreudstyret væk fra jorden.

2. Tryk på brændstofpumpebolden igen og igen, indtil brændstoffet begynder at fylde pumpen. Det er ikke nødvendigt at fylde brændstofpumpebolden helt.

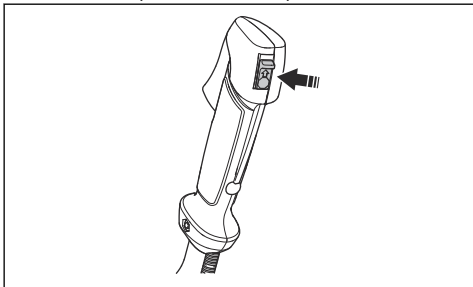


3. Sæt chokerarmen i chokerstilling.

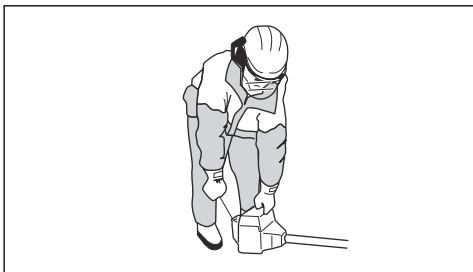


**ADVARSEL:** Skæredestyret begynder at rotere øjeblikkeligt, når du starter motoren med chokeren.

4. Sæt start/stopkontakten i driftspositionen.



5. Hold hoveddelen af produktet på jorden med venstre hånd.



6. Hold fast i startsnorens håndgreb med højre hånd.

7. Træk langsomt startsnoren ud med højre hånd, indtil du føler modstand.



**ADVARSEL:** Vikl aldrig startsnoren rundt om hånden.

8. Træk hurtigt og kraftigt i startsnoren. Træk i starthåndtaget, indtil motoren starter.



**BEMÆRK:** Træk ikke startsnoren helt ud, og slip heller ikke starthåndtaget, når startsnoren er helt trukket ud. Det kan forårsage skader på produktet.

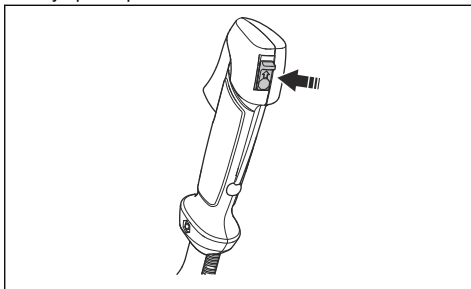
9. Sæt chokeren tilbage, når motoren tænder.

10. Betjen gashåndtaget gradvist, når motoren starter.

11. Sørg for, at motoren kører jævnt, og lad den varme op i 1-2 minutter før betjening.

### Sådan standses produktet

- Tryk på stopkontakten for at standse motoren.



### Kickback

- Et kast er produktets pludselige bevægelse til siden, frem eller tilbage. Kickback opstår, når græsklingen rammer en genstand, der ikke kan skæres. I områder, hvor det ikke er let at se det materiale, der skæres, øges risikoen for kast.
- Når der opstår et kast, er der risiko for, at produktet eller operatøren bevæger sig ud af stilling. En klinge, der bevæger sig, kan ramme omkringstående, og der er risiko for personskader.
- Hvis en klinge er bøjet, har revner, er ødelagt eller beskadiget, skal den skiftes.
- Benyt en skarp klinge. Risikoen for kast øges, når en kniv ikke er skarp.

### Generelle arbejdsinstruktioner

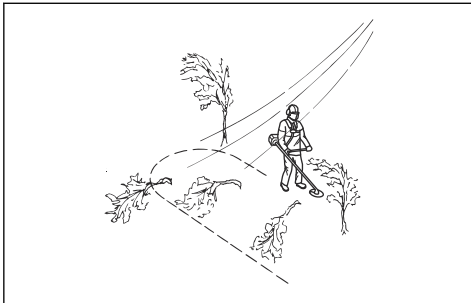


**ADVARSEL:** Vær forsigtig ved skæring i træer, der ligger i spænd. De kan springe tilbage til deres normale position før eller efter skæringen, og kan derfor ramme dig eller produktet og forårsage personskade.

- Ryd en åben plads i den ene ende af arbejdsområdet, og start med at arbejde derfra.
- Bevæg dig i et almindeligt mønster henover arbejdsområdet.



- Flyt produktet helt til venstre og højre for at rydde jord i en bredde på 4-5 m med hver drejning.
- Ryd jorden i en længde på 75 m, inden du drejer og går tilbage. Tag brændstofdunken med dig, efterhånden som du bevæger dig fremad.
- Bevæg dig i en retning, hvor du ikke skal over grøfter og forhindringer mere end nødvendigt.
- Bevæg dig i en retning, hvor vinden gør, at afskåret vegetation falder til jorden i det ryddede område.



- Gå langs skråninger, ikke op og ned.

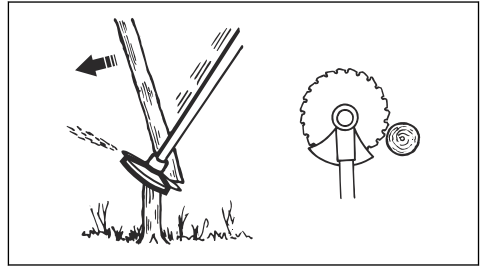
## Skovrydning med en savklinge

### Sådan fældes et træ mod venstre

For at fælde et træ mod venstre skal træets nederste del skubbes mod højre.

1. Giv fuld gas.
2. Læg savklingen an mod træet som vist på billedet.

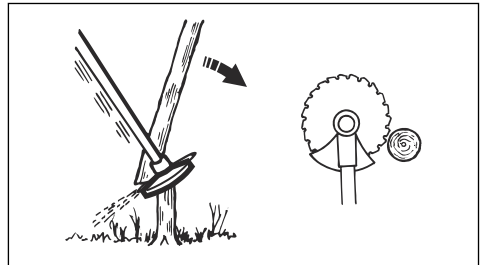
3. Vip savklingen og skub den skråt ned mod højre med stor styrke. Skub samtidig til træet med klingebeskyttelsen.



### Sådan fældes et træ mod højre

For at fælde et træ mod højre skal træets nederste del skubbes mod venstre.

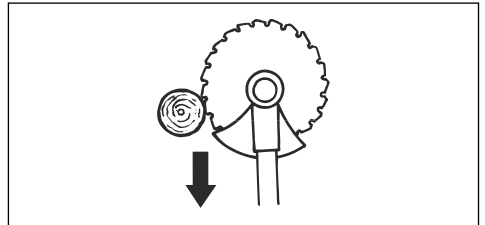
1. Giv fuld gas.
2. Læg savklingen an mod træet som vist på billedet.
3. Vip savklingen og skub den skråt op og mod højre med stor styrke. Skub samtidig til træet med klingebeskyttelsen.



### Sådan fældes et træ forlæns

For at fælde et træ forlæns skal træets nederste del skubbes bagud.

1. Giv fuld gas.
2. Læg savklingen an mod træet som vist på billedet.
3. Træk savklingen tilbage med en hurtig bevægelse.

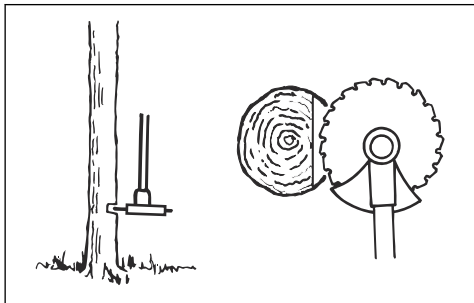


### Sådan fældes store træer

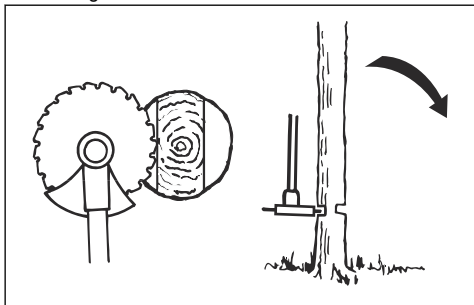
Store træer skal skæres fra to sider.

1. Undersøg træets faldretning.
2. Giv fuld gas.

3. Læg det første snit i den side af træet, som det vil falde til.



4. Skær igennem træet fra den anden side.



**BEMÆRK:** Undlad at trække i produktet med en pludselig bevægelse, hvis savklingen skulle sætte sig fast. Det kan beskadige savklingen, vinkelgearet, akslen eller styret. Slip håndtagene, hold i akslen med begge hænder og træk forsigtigt i produktet.

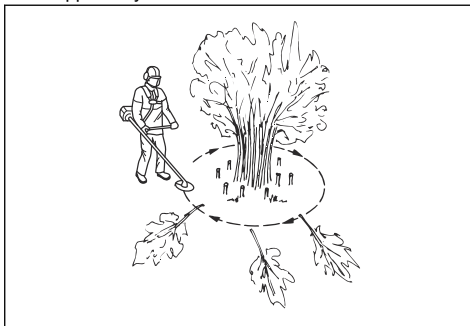
**Bemærk:** Anvend mere skæretrek til at fælde små træer. Anvend mindre skæretrek til at fælde store træer.

## Buskrydning med savklinge

For at fælde et træ mod venstre skal træets nederste del skubbes mod højre.

- Beskær tynde træer og buske.
- Flyt produktet fra side til side.
- Beskær mange træer med én bevægelse.

- Grupper af tynde træer:



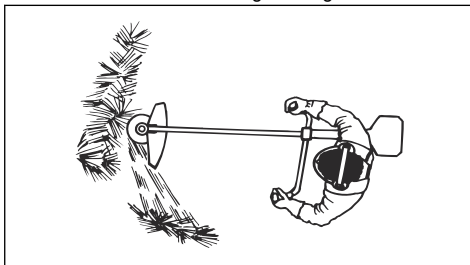
- Beskær de yderste træer højt oppe.
- Beskær de yderste træer til den korrekte højde.
- Beskær fra midten. Beskær de yderste træer højt oppe, hvis du ikke kan nå midten, og lad dem falde. Det nedsætter risikoen for, at savklingen sætter sig fast.

## Græsrydning med en græsklinge



**BEMÆRK:** Brug ikke græsklinger og græsknive til træ. Brug altid kun græsklinger og græsknive til langt eller kraftigt græs.

- Flyt produktet fra side til side.
- Start bevægelsen fra højre mod venstre, når du skærer. Flyt produktet til højre side, inden du skærer igen.
- Skær med venstre side af græsklingen.



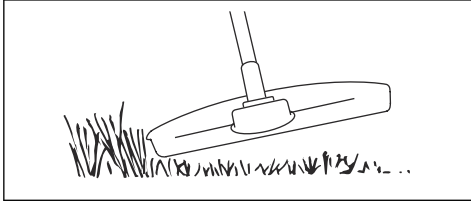
- Skråtstil græsklingen mod venstre, så græsset falder på række. Det gør det let at opsamle græsset.
- Hold en stabil stilling med fødderne let spredt.
- Bevæg dig fremad efter hver bevægelse mod højre, og sørg for at have en stabil stilling, inden du skærer igen.
- Hold støttækoppen mod jorden med et let tryk for at sikre, at græsklingen ikke rammer jorden.
- Følg disse instruktioner for at reducere risikoen for, at afskåret materiale vikler sig om græsklingen:
  - Giv fuld gas.
  - Før ikke græsklingen gennem afskåret materiale, når du flytter produktet fra venstre side til højre side.

- Stands motoren og tag produktet ud af selen, før du samler det afskårne materiale op. Læg produktet på jorden på siden.

## Græstrimming med trimmerhoved

### Sådan trimmes græsset

1. Hold trimmerhovedet lige over jorden, og hold det i vinkel. Tryk ikke trimmertråden ned i græsset.



2. Reducer længden af trimmertråden med 10-12 cm/ 4-4,75 tommer.
3. Reducer motorhastigheden for at mindske risikoen for skader på planterne.
4. Brug 80 % gas, når du klipper græs nær genstande.



### Sådan ryddes græs

1. Hold trimmerhovedet over jorden.
2. Vip trimmerhovedet til siden.
3. Snit med enden af trimmertråden omkring genstande i arbejdsområdet.

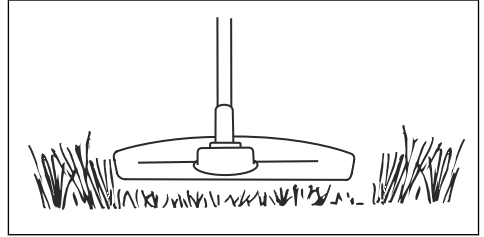


**BEMÆRK:** Slå græsset. Andre objekter, der rammes af trimmertråden, øger sliddet på trimmertråden.

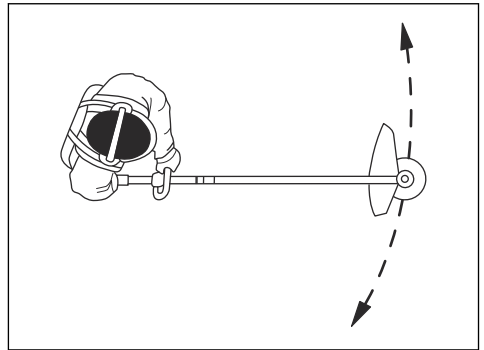
4. Brug 80 % hastighed, når du saver og rydder vegetation. Dette reducerer slitage på trimmerhovedet og trimmertråd.

## Sådan klippes græsset

1. Sørg for, at trimmertråden er parallel med underlaget, når du klipper græsset.



2. Skub ikke trimmerhovedet ned mod jorden. Det kan forårsage skader på produktet.
3. Flyt produktet fra side til side, når du slår græs. Brug fuld gas.



## Sådan fejers græsset

Luftstrømmen fra den roterende trimmertråd kan bruges til at fjerne det afskårne græs fra et område.

1. Hold trimmerhovedet og trimmertråden parallelt med jorden og over jorden.
2. Giv fuld gas.
3. Flyt trimmerhovedet fra side til side og fej græsset.



**ADVARSEL:** Rens trimmerhovedets dæksel, hver gang du monterer en ny trimmertråd for at undgå uligevægt og vibrationer i håndtagene. Efterse også regelmæssigt andre dele af trimmerhovedet, og rens dem om nødvendigt.

## Vedligeholdelse

### Indledning



**ADVARSEL:** Læs og forstå sikkerhedskapitlet, før du udfører vedligeholdelse på produktet.

## Vedligeholdelsesskema

Vedligeholdelse	Hver dag	Ugentligt	Månedligt
Rens de udvendige flader.	X		
Undersøg produktet for skader.	X		
Udfør en kontrol af gasreguleringslåsen og gasreguleringen. Se <i>Sådan kontrolleres gasreguleringslåsen på side 57.</i>	X		
Undersøg håndtaget og styret for skader, og sørg for, at de monteret korrekt.	X		
Kontrollér stopkontakten. Se <i>Sådan kontrolleres stopkontakten på side 58.</i>	X		
Sørg for, at skæreudstyret ikke roterer i tomgang.	X		
Rens luftfilteret. Udskift den, hvis den er beskadiget.	X		
Undersøg skæreudstyrsskærmen for skader og revner.	X		
Sørg for, at savklingen eller græsklingen er fastgjort korrekt. Sørg for, at savklingen eller græsklingen er skarp og ikke beskadiget.	X		
Undersøg trimmerhovedet for skader og revner. Udskift den, hvis den er beskadiget.	X		
Spænd låsemøtrikken til skæreudstyret helt fast med en låsemøtrik.	X		
Undersøg transportbeskyttelsen for skader, og sørg for, at den kan monteres korrekt.	X		
Spænd møtrikker og skruer.	X		
Undersøg motoren, brændstoftanken og brændstofslangerne for udsivning.	X		
Undersøg startmotoren og startsnoren for skader.		X	
Efterse tændrøret. Se <i>Sådan undersøger du tændrøret på side 74.</i> Udskift tændrøret, når det er nødvendigt. Sørg for, at tændrøret har såkaldt radiostøjdæmpning.		X	
Rens karburatorens udvendige flader og området omkring den.		X	
Sørg for, at vinkelgearet er fyldt korrekt op med fedt. Se <i>Vinkelgear på side 74.</i>		X	
Undersøg, om brændstoffilteret er rent, og sørg for, at der ikke er revner og andre fejl i brændstofslangen. Udskift dem, hvis det er nødvendigt.			X
Undersøg alle kabler og tilslutninger.			X
Udskift tændrøret. Sørg for, at tændrøret har såkaldt radiostøjdæmpning.			X

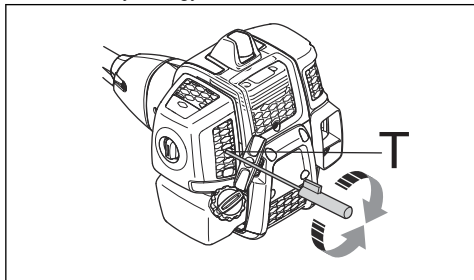
## Sådan justerer du tomgangshastigheden

Nålen til høj hastighed og nålen til lav hastighed er permanent indstillede og kan ikke justeres. Tomgangshastigheden er den eneste funktion, der kan justeres.

1. Start motoren, og sørg for, at den er varm, før du begynder at justere tomgangshastigheden.



2. Drej tomgangsjusteringsskruen med uret, indtil skæreudstyret begynder at rotere.



3. Drej tomgangsjusteringsskruen mod uret, indtil skæreudstyret standser.
4. Omdrejningstallet i tomgang skal være under den hastighed, hvor skæreudstyret begynder at rotere. Tomgangshastigheden er korrekt, når motoren kører jævnt i alle positioner.

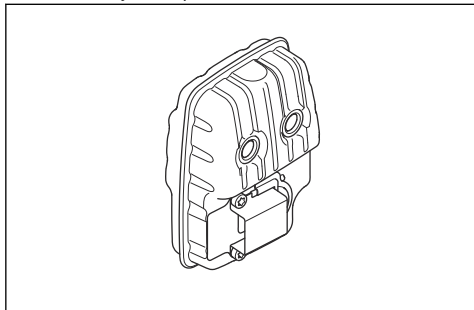
## Sådan vedligeholder du lyddæmperen

Lyddæmperen sænker lydniveauet og leder udstødningsgasserne væk fra brugeren.

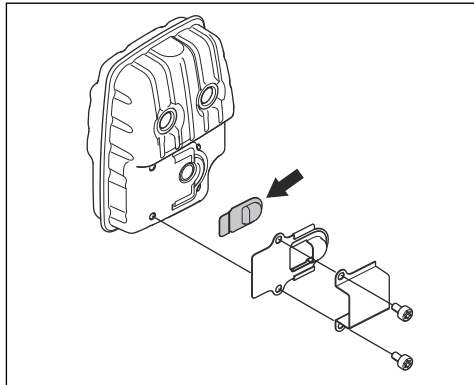


**ADVARSEL:** Lyddæmpere med katalysatorer bliver meget varme under drift og forbliver varme i længere tid, efter du stopper produktet. Dette gælder også ved tomgangskørsel. Hvis du rører ved produktet kan det medføre forbrændinger. Overvej risikoen for brand.

1. Sluk for maskinen og lad den køle af.
2. Afmonter lyddæmperen.



3. Fjern de skruer, der holder gnistfangerskærmen.



4. Rengør gnistfangerskærmen, hvis det er blokeret, eller udskift, hvis det er beskadiget.



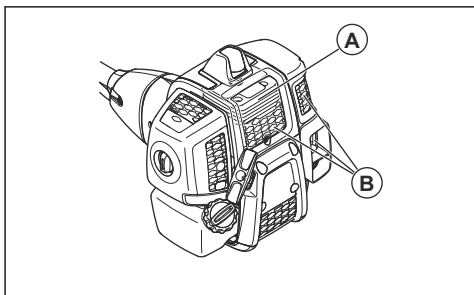
**BEMÆRK:** Ved eventuelle skader på gnistfangerskærmen skal den udskiftes. Brug ikke apparatet, hvis gnistfangerskærmen på lyddæmperen mangler eller er defekt.



**BEMÆRK:** Hvis gnistfangerskærmen ofte er tilstoppet, kan dette være tegn på, at katalysatorens funktion er nedsat. Kontakt dit serviceværksted, så de kan efterse lyddæmperen. En tilstoppet gnistfangerskærm overopheder enheden med skader på cylinder og stempel til følge.

## Sådan rengøres/vedligeholdes kølesystemet

Dette produkt har et kølesystem. Et snavset eller tilstoppet kølesystem kan medføre overophedning af produktet med skader på cylinderen og stemplet til følge. Kontrollér og rengør kølesystemet med en børste en gang om ugen eller oftere, hvis forholdene kræver det. Kølesystemet består af køleribber på cylinderen (A) og luftindtaget (B).



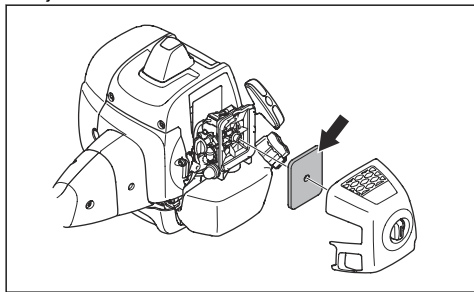
## Luftfilter

Et tilstoppet luftfilter kan forårsage karburatorfejl, startproblemer, tab af motoreffekt og slitage på motorens dele. Derudover får det motoren til at bruge mere brændstof end nødvendigt. Rens filteret hver 8. time, eller oftere, hvis produktet anvendes i støvede omgivelser.

**Bemærk:** Det kan være nødvendigt med en motorjustering, når luftfilteret er blevet rensat eller udskiftet. Se *Sådan justerer du tomgangshastigheden på side 72*.

## Sådan rengøres og efterses luftfilteret

1. Fjern luftfilteret.



2. Rengør filtluftindtaget med trykluft.

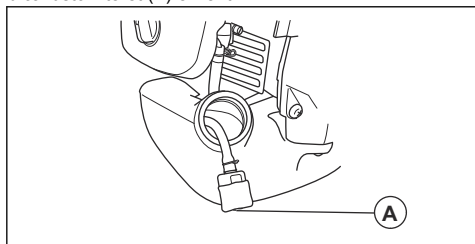


**BEMÆRK:** Udskift filtluftfilterne, hvis de ikke bliver rene. Udskift altid et beskadiget filtluftfilter.

3. Rengør indersiden af luftfilterdækslet. Brug trykluft eller en børste.

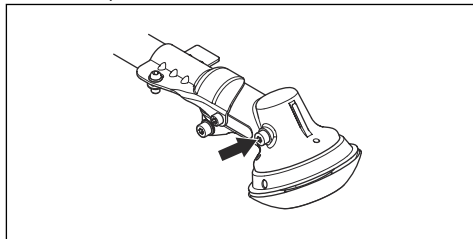
## Brændstoffilter

Hvis motoren kører tør for brændstof, skal du kontrollere, at lufthullet i brændstofdækslet og brændstoffilteret (A) er rent.



## Vinkelgear

Vinkelgearet er fra fabrikken blevet fyldt med en korrekt mængde fedt. Før du anvender produktet, skal du sørge for, at vinkelgearet er 3/4 fyldt op med fedt. Brug McCulloch specialfedt.



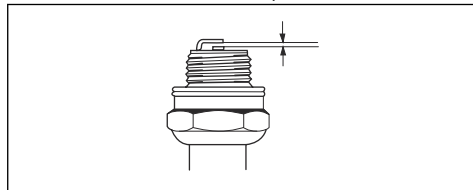
Det er ikke nødvendigt at udskifte smørefedt i vinkelgearet, medmindre vinkelgearet er repareret.

## Sådan undersøger du tændrøret



**BEMÆRK:** Brug altid anbefalet tændrørstype. Forkert tændrørstype kan forårsage skader på produktet.

- Undersøg tændrøret, hvis motoren mangler kraft, ikke starter nemt eller ikke fungerer korrekt i tomgangshastighed.
- Sådan mindsker du risikoen for uønsket materiale på tændrørets elektroder, følg disse instruktioner:
  - a) Sørg for, at omdrejningstallet i tomgang er indstillet korrekt.
  - b) Sørg for, at brændstofblandingen er korrekt.
  - c) Sørg for, at luftfilteret er rent.
- Hvis tændrøret er beskadigt, skal det renses, og samtidig skal det kontrolleres, at elektrodeafstanden er korrekt, se *Tekniske data på side 75*.



- Udskift tændrøret, når det er nødvendigt.

## Tekniske data

	B40 B Elite	B40 BT Elite
<b>Motor</b>		
Cylindervolumen, cm <sup>3</sup>	40,1	40,1
Cylinderdiameter, Ø mm	40,5	40,5
Cylinderslaglængde, mm	31,1	31,1
Omdrejningstal i tomgang, o/min.	3000	3000
Anbefalet maks. hastighed, o/min.	12000	12000
Omdrejningstal på udgående aksel, o/min	8220	8220
Maks. motoreffekt iht. ISO 8893, kW ved o/min.	1,5 ved 9000	1,5 ved 9000
<b>Tændingssystem</b>		
Tændrør	NGK CMR7H-10	NGK CMR7H-10
Elektrodeafstand, mm	0,9-1,0	0,9-1,0
<b>Brændstof-/smøresystem</b>		
Producent/type af karburator	Ruixing H225D-	Ruixing H225D-
Brændstoftankens kapacitet, l/cm <sup>3</sup>	1 / 1000	1 / 1000
<b>Vægt</b>		
Vægt uden brændstof, skæreudstyr og beskyttelse, kg	7,3	7,4
<b>Støjemissioner<sup>7</sup></b>		
Lydeffektniveau, målt dB(A)	112	112
Lydeffektniveau, garanteret L <sub>WA</sub> dB(A)	118	118
<b>Støjniveauer<sup>8</sup></b>		
Ækvivalent lydtryksniveau ved brugerens ører målt i henhold til EN ISO 11806 og ISO 22868, dB(A), min./maks.		
Udstyret med trimmerhoved (original)	100	100
Udstyret med græsklinge (original)	99	99
Udstyret med savklinge (original)	–	99
<b>Vibrationsniveauer<sup>9</sup></b>		
Ækvivalente vibrationsniveauer (a <sub>h<sub>v</sub>,eq</sub> ) i håndtag, målt i henhold til EN ISO 11806 og ISO 22867, m/s <sup>2</sup>		
Udstyret med trimmerhoved (original), venstre/højre	3,4 / 4,4	3,4 / 4,4

<sup>7</sup> Emission af støj til omgivelserne målt som lydeffekt (L<sub>WA</sub>) i henhold til EF-direktiv 2000/14/EF. Rapporteret lydeffektniveau for maskinen er målt med det originale skæreudstyr, der giver det højeste niveau. Forskellen mellem garanteret og målt lydeffekt er, at den garanterede lydeffekt også omfatter spredning i måleresultatet og variationerne mellem forskellige maskiner af samme model i henhold til direktivet 2000/14/EF.

<sup>8</sup> Rapporterede data for ækvivalent lydtryksniveau har en typisk statistisk spredning (standardafvigelse) på 1 dB (A).

<sup>9</sup> Rapporterede data for vibrationsniveau har en typisk statistisk spredning (standardafvigelse) på 1 m/s<sup>2</sup>.

	<b>B40 B Elite</b>	<b>B40 BT Elite</b>
Udstyret med græsklinge (original), venstre/højre	5,2 / 5,1	5,2 / 5,1
Udstyret med savklinge (original), venstre/højre	–	4,5 / 4,2

<b>B40 B Elite, B40 BT Elite</b>		
<b>Godkendt tilbehør</b>	<b>Type</b>	<b>Beskyttelse til skæreudstyr, Art. nr.</b>
Midterhul i klinger/knive Ø 25,4 mm		
Gevind klingeaksel M12		
Græsklinge/græskniv	Græsklinge 255-4 1" (Ø 255, 4 tænder)	580 30 50-01
	Græsklinge 255-3 (Ø 255 3 tænder)	580 30 50-01
Savklinge	Savklinge 200-22 (tænder med en diameter på 200-22)	581 33 84-01
Trimmerhoved	P35	580 30 50-01
Støttekop	Fast	–

---

# EU-overensstemmelseserklæring

---

## EU-overensstemmelseserklæring

**Husqvarna AB**, SE-561 82 Huskvarna, Sverige, tlf.: +46-36-146500, erklærer, at trimmer **McCulloch B40 B Elite** med serienumre fra 2021 og fremefter (året er tydeligt angivet på typeskiltet, efterfulgt af serienummeret), opfylder forskrifterne i RÅDETS DIREKTIV:

- af den 17. maj 2006 "angående maskiner" **2006/42/EF**
- af den 26. februar 2014 "angående elektromagnetisk kompatibilitet" **2014/30/EU**
- af den 8. maj 2000 "angående emission af støj til omgivelserne" **2000/14/EF**.  
Overensstemmelsesvurdering i henhold til Bilag V. Oplysninger om støjemissioner findes i kapitlet Tekniske data.
- af den 8. juni 2011 "om begrænsning af anvendelsen af visse farlige stoffer i elektrisk og elektronisk udstyr" **2011/65/EU**

Der er anvendt følgende standarder:

**EN ISO 12100:2010, CISPR 12:2007+A1:2009, EN ISO 14982:2009, EN ISO 11806-1:2011, EN IEC 63000:2018**

RISE SMP Svensk Maskinprovning AB, Box 7035, SE-750 07 Uppsala, Sweden har foretaget frivillig typegodkendelse for Husqvarna AB. Certifikaterne har nummer: **SEC/12/2339** - B40 B Elite, B40 BT Elite

RISE SMP Svensk Maskinprovning AB har også bekræftet overensstemmelse med Bilag V til Rådets direktiv 2000/14/EF.

Huskvarna, 2020-08-25



Pär Martinsson, udviklingschef (autoriseret repræsentant for Husqvarna AB og ansvarlig for teknisk dokumentation)

---

## Sisällys

---

Johdanto.....	78	Huolto.....	97
Turvallisuus.....	80	Tekniset tiedot.....	100
Asentaminen.....	88	EY-vaatimustenmukaisuusvakuutus.....	103
Käyttö.....	91	.....	0

---

## Johdanto

---

### Tuotekuvaus

Laite on polttomootorilla toimiva ruohoraivuri.

Käytön aikaista turvallisuutta ja tehokkuutta kehitetään jatkuvasti. Saat lisätietoja huoltoliikkeestä.

### Käyttötarkoitus

Käytä laitteessa raivausterää, ruohoterää tai siimapäätä eri kasvillisuustyyppeihin leikkaamiseen. Älä käytä laitetta muuhun kuin ruohontrimmaukseen, ruohonraivaukseen

ja metsänraivaukseen. Käytä raivausterää kuituisten puulajien sahaukseen. Käytä ruohoterää tai siimapäätä ruohon leikkaamiseen.

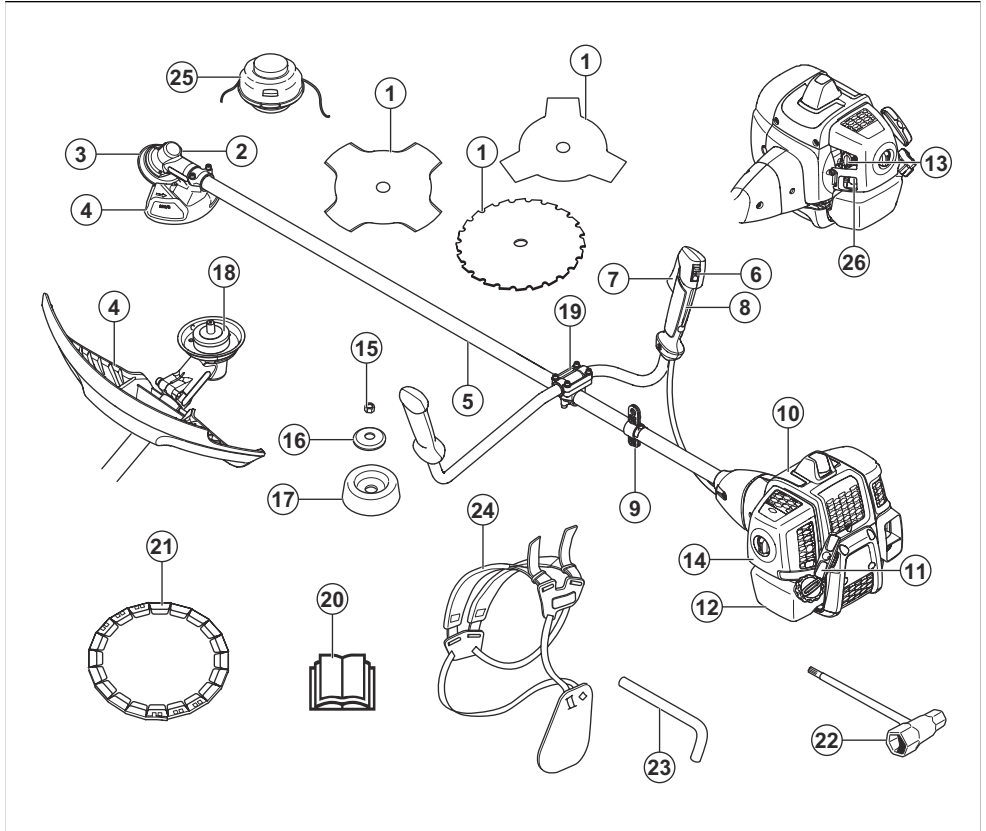
---

**Huomautus:** Käyttöä säädellään mahdollisesti kansallisilla tai paikallisilla määräyksillä. Noudata ilmoitettuja määräyksiä.

---

Käytä laitteessa vain valmistajan hyväksymiä lisävarusteita. Katso *Tekniset tiedot sivulla 100*.

## Laitteen kuvaus



- |   |  |
|---|--|
| 1. Terä (ei kaikilla markkina-alueilla)   | 19. Kahvaston kannatin                                       |
| 2. Voiteluaineen täyttöaukko, kulmavaihde | 20. Käyttöohjekirja  |
| 3. Kulmavaihde                            | 21. Kuljetussuojus (ei kaikilla markkina-alueilla)           |
| 4. Terälaitteen suojus                    | 22. Hylsyavain   |
| 5. Runkoputki                             | 23. Lukkotappi (tuotteille, joissa ei ole kuusiokoloavainta) |
| 6. Pysäytyskytkin                         | 24. Valjaat  |
| 7. Turvalliipaisin                        | 25. Siimapää   |
| 8. Puristuksenalennusventtiili            | 26. Polttoaineen ilmauspumppu                                |
| 9. Ripustussilmukka                       |  |
| 10. Sylinterin kotelo                     |  |
| 11. Käynnistyskahva                       |  |
| 12. Polttoainesäiliö                      |  |
| 13. Rikastinvipu                          |  |
| 14. Ilmansuodattimen kansi                |  |
| 15. Lukkomutteri                          |  |
| 16. Tukilaippa                            |  |
| 17. Tukikuppi                             |  |
| 18. Jousilevy                             |  |

### Laitteen symbolit



**VAROITUS!** Tämä laite on vaarallinen. Laitteen huolimaton tai virheellinen käyttö voi aiheuttaa käyttäjälle tai sivullisille vammoja tai kuoleman. Käyttäjän ja sivullisten vammojen välttämiseksi kaikki käyttöohjekirjan turvaohjeet on luettava ja niitä on noudatettava.



Lue käyttöohje huolellisesti ja varmista, että ymmärrät sen sisällön, ennen kuin alat käyttää laitetta.



Käytä suojakypärää paikoissa, joissa päällesi voi pudota esineitä. Käytä hyväksytyjä kuulonsuojaimia. Käytä hyväksytyjä silmäsuojaimia.



Käytä hyväksytyjä suojakäsineitä.



Käytä kestäviä luistamattomia jalkineita.



Laitte voi saada esineitä sinkoutumaan, mikä voi aiheuttaa vammoja.



Käyttöakselin enimmäisnopeus.



Pysy vähintään 15 metrin etäisyydellä ihmisistä ja eläimistä laitteen käytön aikana.



Takapotkun vaara, jos terävarustus osuu esineeseen, jota se ei välittömästi leikkaa. Laitte voi katkaista ruumiinosia. Pysy vähintään 15 metrin etäisyydellä ihmisistä ja eläimistä laitteen käytön aikana.



Käytä vain joustavaa leikkuuvaijeria. Älä käytä metallisia leikkuuteriä. Käytä tätä ruuhoiterän suojavarusteena.



Nuolet osoittavat kahvan asennon rajan.



Polttoaineen ilmauspumppu.



Lisää polttoainetta.



Rikastin.



Melupäästöt ympäristöön eurooppalaisen direktiivin 2000/14/EY ja Uuden Etelä-Walesin lainsäädännön Protection of the Environment Operations (Noise Control) Regulation 2017 -asetuksen mukaisesti. Melupäästöt ilmoitetaan koneen arvokilvessä ja luvussa *Tekniset tiedot sivulla 100*.



Laitte täyttää voimassa olevien EY-direktiivien vaatimukset.

yyyywwxxxx

Tyyppikilvessä tai lasermerkinnässä näkyy sarjanumero, jossa **yyyy** on valmistusvuosi ja **ww** on valmistusviikko.

**Huomautus:** Muita laitteen symboleita/tarroja tarvitaan muilla markkina-alueilla ilmaisemaan sertifiointivaatimuksia.

## Tuotevastuu

Tuotevastuulain mukaisesti emme ole vastuussa tuotteen aiheuttamasta vaurioista, jos

- tuote on korjattu virheellisesti
- tuotteen korjaamiseen on käytetty muita kuin valmistajan omia tai sen hyväksymiä osia
- tuotteessa on muu kuin valmistajan oma tai sen hyväksymä lisävaruste
- tuotetta ei ole korjattu valtuutetussa huoltopisteessä tai hyväksytyllä asiantuntijalla.

## Euro V -päästöt



**VAROITUS:** Moottorin muokkaaminen mitätöi tuotteen EU-tyyppihyväksynnän.

## Turvallisuus

### Turvallisuusmääritelmät

Oheiset määritelmät kertovat huomiosanojen vakavuustason.



**VAROITUS:** Henkilövahinko.





**HUOMAUTUS:** Laitevaurio.

**Huomautus:** Nämä tiedot helpottavat laitteen käyttöä.

## Yleiset turvaohjeet



**VAROITUS:** Lue seuraavat varoitusohjeet ennen laitteen käyttämistä.

- Laite muodostaa käytön aikana sähkömagneettisen kentän. Kenttä saattaa joissakin olosuhteissa häiritä aktiiviholin tai passiivisten lääketieteellisten implanttien toimintaa. Vakavien tai hengenvaarallisten tapaturmien ehkäisemiseksi kehotamme lääketieteellisiä implantteja käyttäviä henkilöitä neuvottelemaan lääkärin ja lääketieteellisen implantin valmistajan kanssa ennen laitteen käyttämistä.
- Älä käytä laitetta ollessasi väsynyt tai sairas tai jos olet alkoholin, huumaavien aineiden tai lääkkeiden vaikutuksen alaisena. Niillä on negatiivinen vaikutus näkökykyysi, vireytesi, harkintakykyysi ja kehosi hallintaan.
- Vältä käyttöä epäsuotuisissa sääoloissa, kuten tiheässä sumussa, rankkasateessa, kovassa tuuleessa tai pakkasessa. Tuotteen käyttö huonossa säässä voi olla väsyttävää ja lisätä riskitekijöitä. Alusta voi esimerkiksi olla liukas tai puu voi kaatua odottamattomaan suuntaan.
- Ole aina varovainen ja käytä tervettä järkeä. Jos olet epävarma työskentelyolosuhteista tai oikeasta toimintatavasta käyttöohjekirjan lukemisen jälkeen, kysy neuvoa huoltoliikkeestä ennen koneen käyttämistä.
- Irrota sytytystulpan suojus, jos jätät laitteen ilman valvontaa.

## Turvallisuusohjeet asentamista varten



**VAROITUS:** Lue seuraavat varoitusohjeet ennen laitteen käyttämistä.

- Käytä hyväksytyjä suojakäsineitä, kun kokoat laitetta ja terälaitetta.
- Irrota sytytystulpan suojus sytytystulpasta ennen laitteen asentamista.
- Varmista ennen laitteen käyttöä, että asennettuna on oikea kahvasto ja terälaitteen suojus.
- Viallinen tai väärä terälaitteen suojus voi aiheuttaa vammoja. Terälaitetta ei saa käyttää ilman hyväksytyä terälaitteen suojusta.
- Kiinnitä kytkinkotelo ja akseli oikein ennen laitteen käynnistämistä.

- Jousilevyn ja tukilaipan on oltava oikein terälaitteen keskireiässä. Väärin kiinnitetty terälaite voi aiheuttaa vamman tai kuoleman.
- Kiinnitä valjaat laitteeseen, jotta et vahingoita itseäsi tai muita henkilöitä.

## Turvallisuusohjeet käyttöä varten



**VAROITUS:** Lue seuraavat varoitusohjeet ennen laitteen käyttämistä.

- Ennen käyttöä sinun on ymmärrettävä metsänraivauksen, ruohonraivauksen ja ruohontrimmauksen ero.
- Käytä henkilökohtaisia suojavarusteita, katso *Henkilökohtainen suojavarustus sivulla 82*.
- Pitkäaikainen altistuminen melulle saattaa aiheuttaa pysyviä kuulovaurioita. Käytä aina hyväksytyjä kuulonsuojaimia.
- Tarkkaile varoitussignaaleja ja kovia ääniä, kun käytät kuulonsuojaimia. Riisu kuulonsuojaimet aina moottorin sammuttamisen jälkeen.
- Älä koskaan käytä laitetta, jos sitä on muutettu tai se on viallinen.
- Ehkäise sähköiskuja varmistamalla, etteivät sytytystulpan suojus ja sytytysjohdin ole vahingoittuneet.
- Varmista työaluetta silmäilemällä, etteivät muut ihmiset, eläimet tai esineet vaaranna laitteen käytön turvallisuutta.
- Varmista työaluetta silmäilemällä, etteivät muut ihmiset tai eläimet kosketa terälaitetta tai etteivät terälaitteesta sinkoutuvat esineet pääse osumaan heihin tai niihin.
- Älä käytä laitetta olosuhteissa tai paikassa, jossa et voi saada apua onnettomuuden sattuessa.
- Älä käytä laitetta ilman hyväksytyä terälaitteen suojusta.
- Varmista, että ihmiset ja eläimet pysyvät vähintään 15 metrin etäisyydellä työskentelyn aikana. Katso aina taaksesi, ennen kuin käännät ympäri laitteen kanssa. Pysäytä laite välittömästi, jos 15 metrin turva-alueen sisäpuolelle tulee ihminen tai eläin. Jos samalla alueella työskentelee useampi kuin yksi käyttäjä, säilytä turvaetäisyys, joka on vähintään kaksi kertaa puun pituus ja vähintään 15 metriä.
- Tarkista työalue. Vältä kaikkia irrallisia esineitä, kuten kiviä, lasinsirpaleita, nautoja, rautalankoja, naruja ja vastaavia, jotka voivat sinkoutua liikkeelle tai kietoutua terälaitteeseen.
- Varmista, että voit liikkua turvallisesti ja asentosi on turvallinen ja vakaa. Tarkista, onko ympäristössä

esteitä, kuten juuria, kiviä, oksia ja ojia. Ole varovainen rinteissä työskennellessäsi.



- Älä kurota. Pidä jalat vakaassa asennossa ja säilytä hyvä tasapaino aina.
- Ennen kuin käynnistät laitteen, aseta se tasaiselle alustalle vähintään 3 metrin päähän polttoainelähteestä ja täyttöpaikasta. Varmista, ettei terälaitteen lähellä tai siihen kosketuksissa ole esineitä.
- Jos terälaitte pyörii joutokäyntinopeudella, anna huoltoliikkeen säätää se. Älä käytä laitetta, ennen kuin se on säädetty tai korjattu.
- Varo sinkoutuvia esineitä. Käytä aina hyväksytyjä silmäsuojaimia ja pysy etäällä terälaitteen suojuksesta. Silmiin voi sinkoutua kiviä ja muita pieniä esineitä, mikä voi aiheuttaa sokeutumisen tai muita vammoja.
- Älä laske laitetta maahan moottorin käydessä, jos et pysty valvomaan sitä koko ajan.
- Älä poista tai anna muiden poistaa leikkuujätettä, kun moottori käy tai terävarustus pyörii, sillä seurauksena voi olla vakavia vammoja.
- Sammuta moottori aina ja varmista, ettei terävarustus pyöri, ennen kuin poistat teräkselin ympärille kiertyneen tai terälaitteen suojuksen ja terävarustuksen väliin jääneen materiaalin.
- Ole varovainen poistaessasi materiaalia terävarustuksen ympäriltä. Kulmavaihdet kuumenee käytön aikana ja voi aiheuttaa palovammoja.
- Moottorin pakokaasu on kuumaa ja voi sisältää kipinöitä. Tulipalon vaara. Ole varovainen kuivan ja herkästi syttyvän materiaalin läheisyydessä.
- Älä koskaan käytä laitetta sisätiloissa tai tiloissa, joissa ei ole kunnollista ilmanvaihtoa. Pakokaasut sisältävät hiilimonoksidia, joka on hajuton, myrkyllinen ja erittäin vaarallinen kaasun.
- Sammuta moottori ennen uudelle työalueelle siirtymistä. Kiinnitä kuljetussuojus aina ennen laitteen siirtämistä.
- Liiallinen altistuminen tärinöille saattaa aiheuttaa verisuoni- tai hermovaurioita verenkiertohäiriöistä kärsiville henkilöille. Käännä lääkärin puoleen, jos havaitset oireita, jotka voivat liittyä liialliseen tärinäaltistukseen. Esimerkkejä tällaisista oireista ovat puutumiset, tunnottomuus, kutinat, pistelyt, kipu, voimattomuus tai heikkous, ihon värin tai

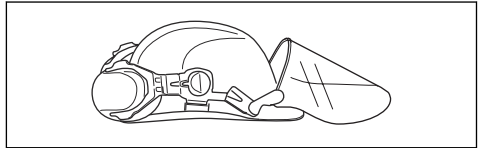
pinnan muutokset. Näitä oireita esiintyy tavallisesti sormissa, käsissä tai ranteissa. Nämä vaarat voivat kasvaa alhaisissa lämpötiloissa.

## Henkilökohtainen suojavarustus

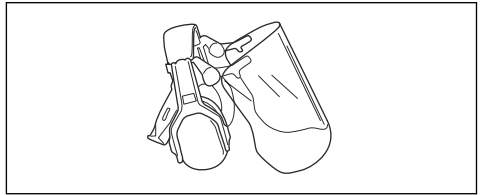


**VAROITUS:** Lue seuraavat varoitusohjeet ennen laitteen käyttämistä.

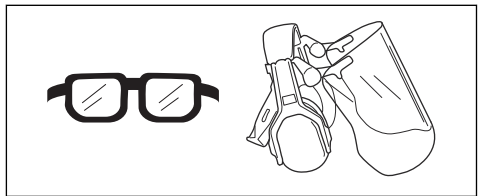
- Käytä aina hyväksytyjä henkilökohtaisia suojavarusteita, kun käytät laitetta. Henkilökohtaiset suojavarusteet eivät poista tapaturmien vaaraa, mutta ne lieventävät vammoja onnettomuustilanteessa. Anna jälleenmyyjän auttaa oikeiden varusteiden valinnassa.
- Käytä kypärää, jos työalueen puiden pituus on yli 2 m.



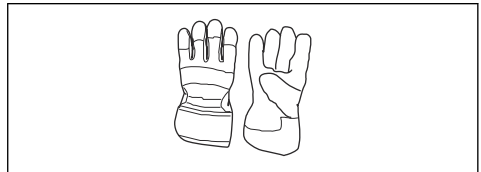
- Käytä hyväksytyjä kuulonsuojaimia.



- Käytä hyväksytyjä silmäsuojaimia. Visiiriä käytettäessä on käytettävä myös hyväksytyjä suojalaseja. Hyväksytyillä suojalaseilla tarkoitetaan laseja, jotka täyttävät standardin ANSI Z87.1 (Yhdysvallat) tai EN 166 (EU-maat) vaatimukset.



- Käytä käsineitä tarvittaessa esimerkiksi terävarustuksen asennuksen, tarkastuksen ja puhdistuksen aikana.



- Käytä turvajalkineita, joissa on teräskärjet ja luistamattomat pohjat.



- Käytä lujasta materiaalista valmistettuja vaatteita. Käytä aina vahvakankaisia pitkiä housuja ja pitkähihaista takkia. Vältä liian löysiä vaatteita, jotka tarttuvat helposti rusuihin ja oksiin. Älä käytä koruja, lyhyitä housuja tai sandaaleja. Älä ole paljain jaloin. Sido hiukset turvallisesti olkapäiden yläpuolelle.
- Pidä ensiaputarvikkeet lähetyvillä.



## Tuotteen turvalaitteet

Lisätietoja turvalaitteiden sijainnista on kohdassa *Terälaitteen suojus sivulla 84*.



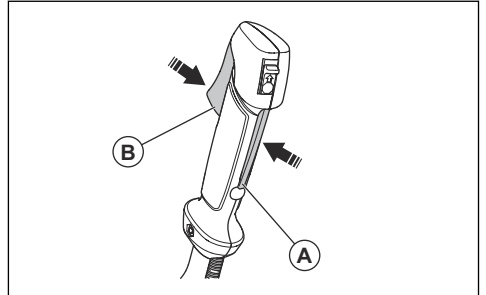
**VAROITUS:** Lue seuraavat varoitusohjeet ennen koneen käyttämistä.

- Älä käytä konetta, jos jokin sen turvalaitteista on rikki. Tarkasta ja huolla turvalaitteet säännöllisesti. Jos turvalaitteissa on vikoja, ota yhteyttä McCulloch-huoltoliikkeeseen.
- Älä tee muutoksia turvalaitteisiin. Älä käytä laitetta, jos jotkin suojakansista, turvakytkimistä tai muista suojalaitteista eivät ole paikoillaan tai ne ovat viallisia.
- Kaikkiin laitteelle, erityisesti turvalaitteelle, tehtäviin huolto- ja korjaustöihin tarvitaan erityiskoulutus. Jos turvalaitteissa havaitaan puutteita tässä käyttöohjekirjassa luetelluissa tarkastuksissa, ota yhteyttä huoltoliikkeeseen. Takaamme, että laite huolletaan ja korjataan ammattimaisesti. Jos jälleenmyyjäsi ei ole huoltoliike, pyydä jälleenmyyjää neuvomaan lähin huoltoliike.
- Älä käytä terälaitetta ilman hyväksyttyä ja oikein kiinnitettyä terälaitteen suojusta. Katso *Tekniset tiedot sivulla 100*.

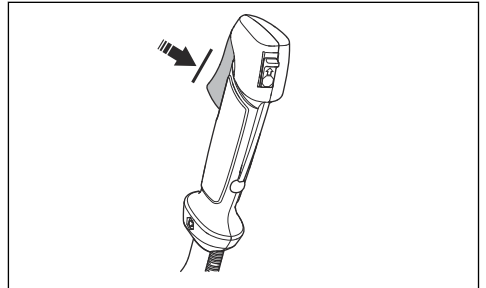
## Kaasuliipaisimen varmistimen tarkistaminen

Varmistin estää tahattoman kaasuliipaisimen käytön.

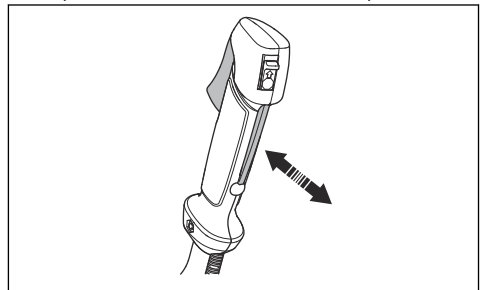
1. Paina turvaliipaisimen varmistinta (A) ja varmista, että kaasuliipaisin vapautuu (B). Kun ote kahvasta irrotetaan, sekä kaasuliipaisin että turvaliipaisimen varmistin palautuvat lähtöasentoonsa. Tämä tapahtuu kahdella palautusjousella. Lähtöasennossa kaasuliipaisin on siis aina lukittuna joutokäynnille.



2. Tarkista, että kaasuliipaisin on lukittu joutokäyntiasentoon, kun turvaliipaisimen varmistin vapautetaan.

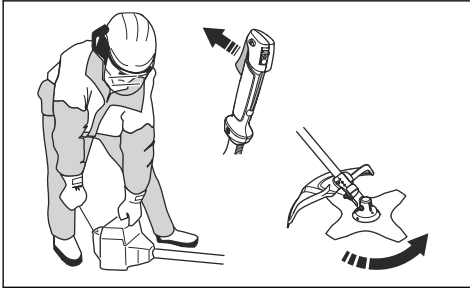


3. Paina turvaliipaisimen varmistinta ja varmista, että se palautuu lähtöasentoonsa, kun se vapautetaan.



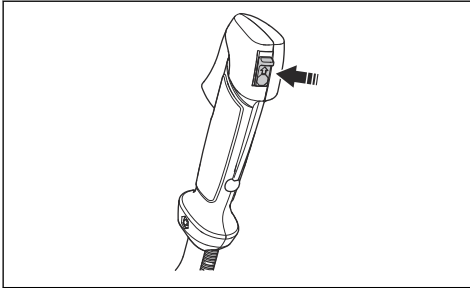
4. Tarkasta, että kaasuliipaisin ja turvaliipaisimen varmistin liikkuvat vapaasti ja että niiden palautusjouset toimivat oikein.
5. Käynnistä kone (katso ohjeet kohdasta *Käynnistys ja sammutus sivulla 92*) ja käytä sitä täydellä kaasulla.

6. Vapauta kaasuliipaisin ja varmista, että terälaite pysähtyy ja pysyy liikkumattomana. Säädä kaasutinta, jos terälaite liikkuu kaasuliipaisimen ollessa joutokäyntiasennossa. Katso ohjeet kohdasta *Joutokäyntinopeuden säätö sivulla 98*.



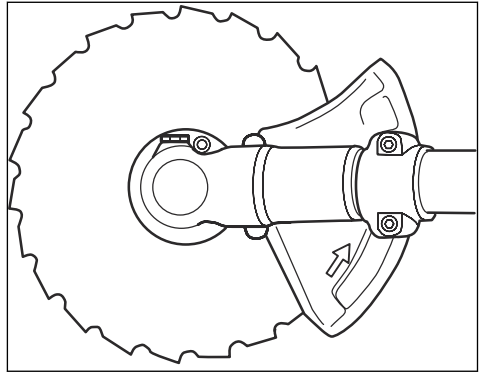
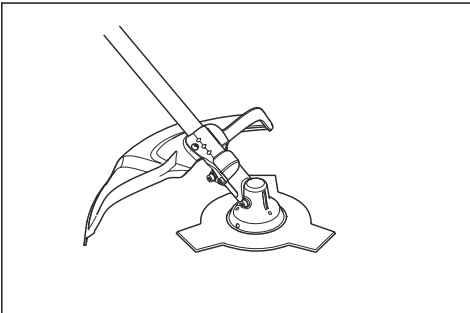
### Pysäyttimen tarkistaminen

1. Käynnistä moottori.
2. Siirrä pysäytin STOP-asentoon ja varmista, että moottori sammuu.



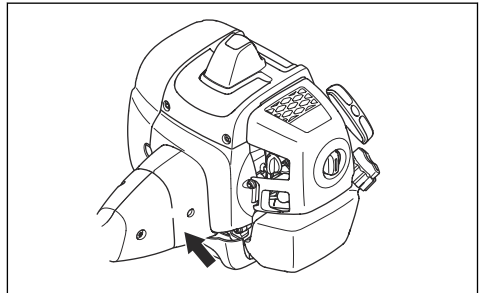
### Terälaitteen suojus

Terälaitteen suojus estää irrallisten esineiden sinkoutumisen käyttäjää kohti. Tarkista terälaitteen suojus vaurioiden varalta ja vaihda, jos se on vaurioitunut. Käytä vain hyväksytyä terälaitteen suojusta.



### Tärinänsaimennusjärjestelmän tarkistaminen

Tärinänsaimennusjärjestelmä pitää kahvojen tärinän mahdollisimman alhaisena, mikä helpottaa käyttöä.



1. Pysäytä moottori.
2. Tarkista silmämääräisesti, onko vääntymiä tai vaurioita, kuten halkeamia.
3. Varmista, että tärinänsaimennusjärjestelmän osat on kiinnitetty oikein.

### Pikavapautusmekanismin tarkistaminen

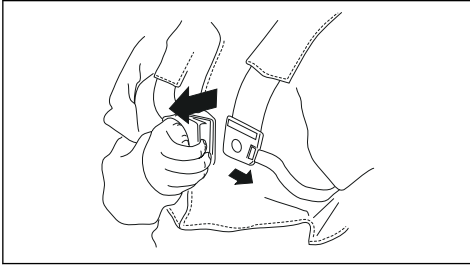


**VAROITUS:** Älä käytä valjaita, joiden pikavapautusmekanismi on viallinen.

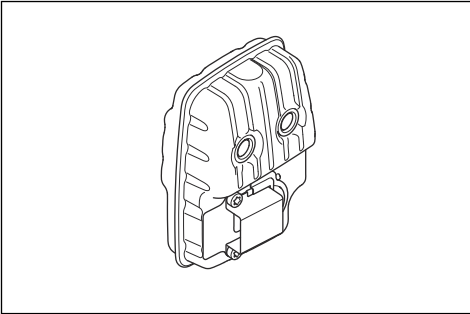
Pikavapautusmekanismin avulla käyttäjä voi irrottaa laitteen nopeasti valjaista, jos ilmenee hätätilanne.

1. Pysäytä moottori.
2. Tarkista silmämääräisesti, onko vaurioita, kuten halkeamia.

3. Varmista, että pikavapautusmekanismi toimii oikein vapauttamalla ja kiinnittämällä se.



### Äänenvaimennin



- Älä käytä moottoria, jos äänenvaimennin on vaurioitunut. Vaurioitunut äänenvaimennin nostaa äänitasoa ja lisää tulipalon vaaraa. Pidä palosammutin lähistöllä.
- Tarkista säännöllisesti, että äänenvaimennin on kiinni laitteessa.
- Älä kosketa moottoria tai äänenvaimenninta, kun moottori on käynnissä. Älä kosketa moottoria tai äänenvaimenninta hetkeen moottorin sammuttamisen jälkeen. Kuumat pinnat voivat aiheuttaa vammoja.
- Kuuma äänenvaimennin voi aiheuttaa tulipalon. Ole varovainen, jos käytät laitetta palavien nesteiden tai kaasujen läheisyydessä.
- Älä kosketa äänenvaimentimen osia, jos äänenvaimennin on vaurioitunut. Osat voivat sisältää syöpää aiheuttavia kemikaaleja.
- Jos laitteessa on kipinänsammutusverkko, puhdista se säännöllisesti. 🧽

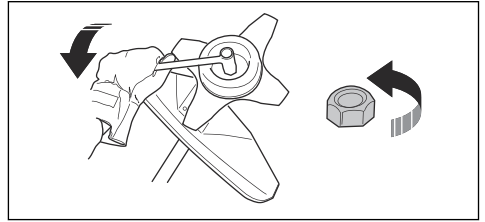
### Lukkomutterin kiinnittäminen ja irrottaminen



**VAROITUS:** Sammuta moottori, käytä suojakäsineitä ja varo terälaitteen teräviä reunoja.

Lukkomutteria käytetään joidenkin terälaitteiden kiinnittämiseen. Lukkomutterissa on vasenkätinen kierre.

- Kiinnitä kiristämällä lukkomutteri terälaitteen pyörimissuuntaa vastaan.
- Irrota lukkomutteri löysäämällä lukkomutteria terälaitteen pyörimissuuntaan.
- Löysää ja kiristä lukkomutteri pitkävartisella hylsyavaimella. Kuvan nuoli osoittaa kohdan, jossa hylsyavainta voi käyttää.



**VAROITUS:** Lukkomutteria avattaessa ja kiristettäessä terä aiheuttaa tapaturmavaaran. Varmista aina, että teräsuojus on paikallaan ja estää käsien vahingoittumisen.

**Huomautus:** Varmista, ettei lukkomutteria voi kiertää käsin. Vaihda mutteri, jos nailonlukituksen vastus ei ole vähintään 1,5 Nm. Lukkomutteri on vaihdettava noin 10 asennuskerran jälkeen.

### Terälaite

Valitse oikea terävarustus ja huolla sitä:

- Saat parhaan sahaustehon.
- Terävarustuksen käyttöikä pitenee.
- Noudata äänenvaimentimen tarkistus-, kunnossapito- ja huolto-ohjeita.
- Käytä aina suositeltua terävarustuksen suojusta. Katso tekniset tiedot.



**VAROITUS:** Käytä terälaitteessa vain suosittelemaamme suojusta! Katso kohta Tekniset tiedot. Katso terälaitteen ohjeista trimmerin siiman kelausohjeet ja oikean trimmerin siimakoon valinta.



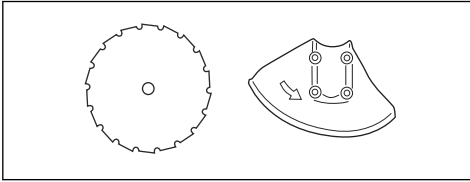
**VAROITUS:** Viallinen terälaite voi lisätä onnettomuuksien vaaraa.



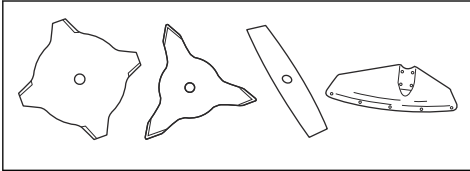
**VAROITUS:** Pysäytä aina moottori, ennen kuin alat käsitellä terälaitetta. Se pyörii vielä kaasullipaisimen vapauttamisen jälkeen. Varmista, että terälaite on täysin pysähtynyt ja irrota syytystulpan suojus, ennen kuin alat käsitellä terälaitetta.

## Terälaite

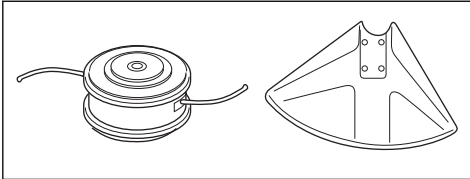
- Käytä raivausterää kuituisten puulajien sahaukseen.



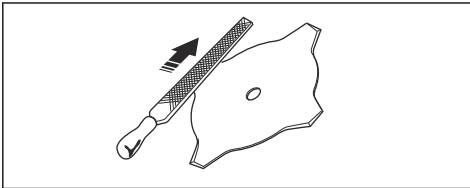
- Käytä teriä ja ruohoteriä paksu nurmikon leikkaamiseen.



- Käytä siimapäätä ruohon leikkaamiseen.



- Väärin teroitettu tai vaurioitunut terä lisää onnettomuuksien vaaraa. Pidä terän leikkuuhampaat hyvin ja oikein teroitettuina. Noudata kohdassa *Ruohoveitsen ja ruohoterän viilaaminen sivulla 86* annettuja ohjeita ja käytä suositeltua viilausohjainta.

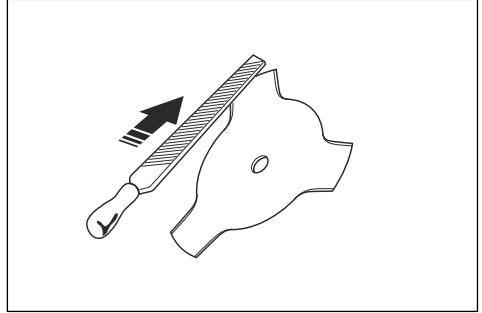


- Tarkista terälaite vaurioiden ja halkeamien varalta. Vaihda vaurioitunut terälaite.
- Käytä terälaitteessa vain suositeltuja suojuksia. Katso kohta *Tekniset tiedot sivulla 100*.

## Terät

- Käytä laitteessa hyväksyttyä terää. Älä käytä terää ilman, että kaikki tarvittavat osat on asennettu oikein. Varmista, että asennus tehdään oikein ja että kaikkia oikeita osia käytetään. Väärin tehty asennus voi aiheuttaa terän irtoamisen ja vahingoittaa vakavasti laitteen käyttäjää tai sivullisia.
- Käytä suojakäsineitä, kun käsittelet terää tai huollat laitetta.
- Käytä kypärää, kun käytät terällä varustettua laitetta.

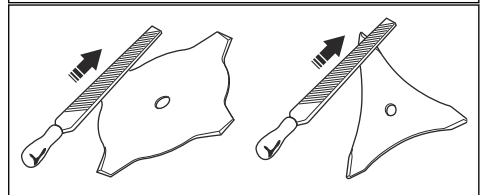
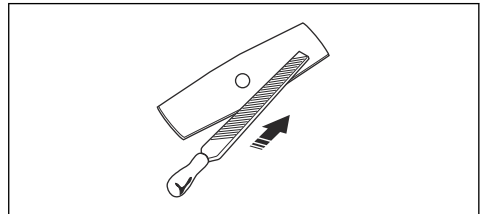
- Terä voi aiheuttaa loukkaantumisen, kun se pyörii moottorin sammuttamisen tai turvaliipaisimen vapauttamisen jälkeen. Varmista, että terä on lakannut kokonaan pyörimästä, ennen kuin teet mitään huoltotöitä.
- Sammuta moottori ennen kuin käsittelet terälaitetta. Varmista, että terälaite pysähtyy kokonaan. Irrota johto syytystulpasta.
- Pidä terän leikkuuhampaat hyvin ja oikein teroitettuina.



- Älä käytä vaurioitunutta terälaitetta.
- Kiinnitä kuljetussuojus terään laitteen kuljetuksen tai varastoinnin ajaksi.

## Ruohoveitsen ja ruohoterän viilaaminen

- Viilaa tasaisesti ruohoveitsien ja -terien kaikki reunat, jotta tasapaino säilyy. Käytä yksihakkuista lattaviilaa.



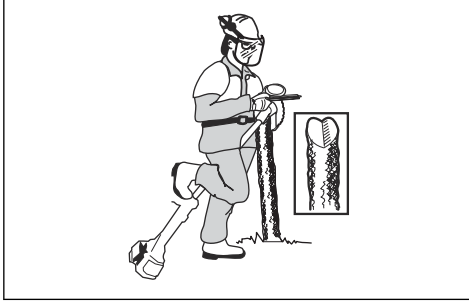
## Raivausterän teroittaminen



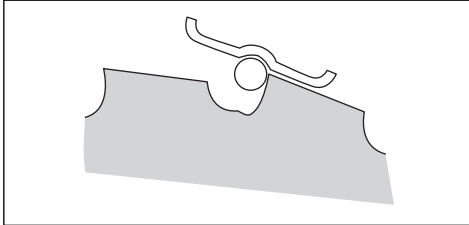
**VAROITUS:** Pysäytä moottori. Käytä suojakäsineitä.

- Katso terän oikea teroitus terän mukana tulleista ohjeista.

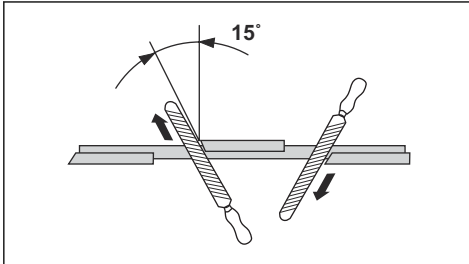
- Varmista, että laite ja terä on tuettu riittävän hyvin teroituksen aikana.



- Käytä 5,5 mm:n (7/32 in) pyöröviilaa ja viilatukea.

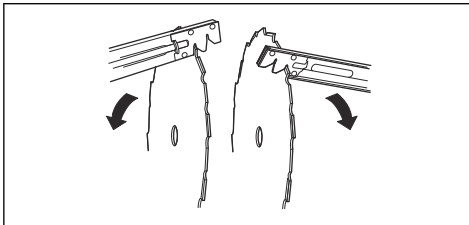


- Pidä viilaa 15 asteen kulmassa.
- Teroita yksi raivausterän hammas oikealle ja seuraava vasemmalle, katso kuva.



**Huomautus:** Teroita hampaan reunat lattaviilalla, jos terä on hyvin kulunut. Jatka teroittamista pyöröviilalla.

- Teroita kaikki reunat tasaisesti, jotta terän tasapaino säilyy.
- Säädä terä 1 millimetriin (0,04 in) suositellulla säätötyökälulla. Katso terän mukana tulleet ohjeet.

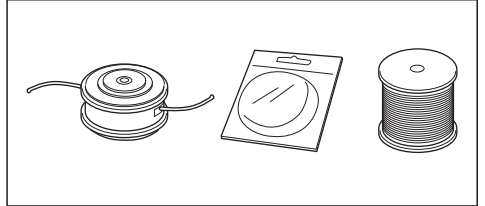


**VAROITUS:** Hävitä aina vahingoittunut terä. Älä yritä suoristaa taipunutta tai vääntynyttä terää ja käytä sitä uudelleen.

#### Siimapää



**VAROITUS:** Varmista aina, että trimmerin siima kelautuu tiukalle ja tasaisesti puolalle. Muussa tapauksessa laite aiheuttaa terveydelle haitallista tärinää.



- Käytä vain suositeltuja siimapäitä ja trimmerin siimoja.
- Käytä vain suositeltuja terälaitteita.
- Pieni laite vaatii pienet siimapäät ja päinvastoin.
- Trimmerin siiman pituudella on merkitystä. Pitkä trimmerin siima vaatii suuremman moottoritehon kuin yhtä paksu, mutta lyhyempi siima.
- Varmista, että siimapään suojuksessa oleva veitsi on ehjä. Trimmerin siima katkaistaan sillä oikeanpituisiksi.
- Pidennä trimmerin siiman käyttöikää liittamalla sitä vedessä muutaman päivän ajan ennen käyttöä.

#### Polttoaineturvallisuus

- Älä käynnistä laitetta, jos sen päällä on polttoainetta tai moottoriöljyä. Poista ylimääräinen polttoaine tai öljy ja anna laitteen kuivua. Poista ylimääräinen polttoaine laitteesta.
- Jos olet läikyttänyt polttoainetta vaatteillesi, vaihda vaatteet heti.
- Varo, ettei iholle pääse polttoainetta, sillä se voi aiheuttaa vamman. Jos ihollesi joutuu polttoainetta, pese se pois vedellä ja saippualla.
- Älä käynnistä moottoria, jos läikytät öljyä tai polttoainetta laitteen päälle tai ylleni.
- Älä käynnistä laitetta, jos moottori vuotaa. Tarkista moottori säännöllisesti vuotojen varalta.
- Käsittele polttoainetta varoen. Polttoaine on syttyvää ja kaasut ovat räjähdysherkkiä, mikä voi aiheuttaa tapaturman tai kuoleman.
- Älä hengitä polttoainehöyryjä, sillä ne voivat aiheuttaa vamman. Varmista, että ilmanvirtaus on riittävä.
- Älä tupakoi polttoaineen tai moottorin lähistöllä.
- Älä sijoita lämpimiä esineitä polttoaineen tai moottorin lähelle.
- Älä lisää polttoainetta, kun moottori on käynnissä.

- Varmista ennen polttoaineen lisäämistä, että moottori on jäähtynyt.
- Ennen kuin lisäät polttoainetta, avaa polttoainesäiliön korkki hitaasti ja vapautta paine varovasti.
- Älä lisää polttoainetta moottoriin sisätilassa. Jos ilmanvirtaus ei ole riittävä, tukehtuminen tai hiilimonoksidin hengittäminen voi aiheuttaa vamman tai kuoleman.
- Kiristä polttoainesäiliön korkki varovasti tulipalon vaaran vuoksi.
- Siirrä laite ennen käynnistämistä vähintään 3 metrin (10 ft) päähän paikasta, jossa täytit säiliön.
- Älä lisää säiliöön liikaa polttoainetta.
- Varmista, ettei polttoainetta pääse vuotamaan, kun liikutat laitetta tai polttoainekannua.
- Älä sijoita laitetta tai polttoainekannua paikkaan, jossa on avotulta, kipinöitä tai sytytysliekkejä. Varmista, ettei säilytyspaikassa ole avotulta.
- Käytä vain hyväksytyjä kannuja polttoaineen siirtämiseen tai säilyttämiseen.
- Tyhjennä polttoainesäiliö ennen pitkäaikaista säilytystä. Noudata paikallista polttoaineen hävittämistä koskevaa lakia.
- Puhdista laite ennen pitkäaikaista säilytystä.
- Irrota sytytystulpan johto ennen laitteen siirtämistä säilytykseen moottorin tahattoman käynnistymisen estämiseksi.

## Turvallisuusohjeet huoltoa varten

- Jos et voi säätää joutokäyntinopeutta terälaitteen pysäyttämiseksi, ota yhteyttä huoltopisteeseen. Älä käytä laitetta, ennen kuin se on säädetty oikein tai korjattu.

## Asentaminen



**VAROITUS:** Lue turvallisuutta käsittelevä luku ennen laitteen asentamista.

### Johdanto



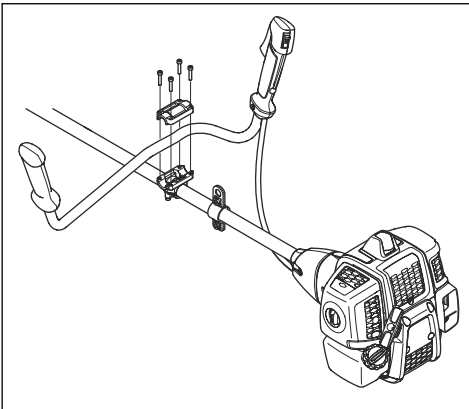
**VAROITUS:** Ennen kuin asennat laitteen, lue turvallisuutta käsittelevä luku niin, että ymmärrät sen sisällön.



**VAROITUS:** Irrota sytytystulpan johto sytytystulpasta ennen laitteen asentamista.

### Kahvaston asentaminen

1. Kiinnitä kahvasto katkaisijan kiinnityskappaleeseen kuvan mukaisesti.



### Terien ja siimapäiden asentaminen



**VAROITUS:** Käytä vain hyväksytyjä teränsuojuksia. Katso *Tekniset tiedot sivulla 100*. Viallinen suojus voi aiheuttaa vammoja.

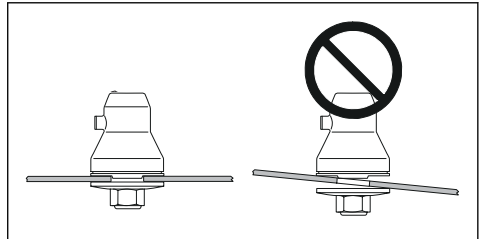


**VAROITUS:** Jos käytät laitteessa ruohoterää, asenna ensin oikea kahvasto, teränsuojus ja valjaat.



**VAROITUS:** Jos teriä ei asenneta oikein, voi seurauksena olla loukkaantuminen.

1. Varmista, että jousilevyn/tukilaidan ohjain tulee oikein terien keskireikään.
2. Asenna terät.



### Teränsuojuksen, ruohoterän ja ruohoveitsen asentaminen



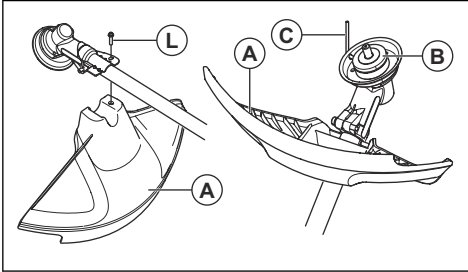
**HUOMAUTUS:** Käytä vain hyväksytyjä teränsuojuksia. Katso käyttöohjekirja.



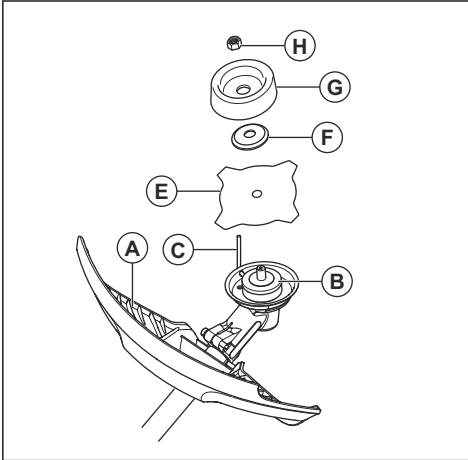


**HUOMAUTUS:** Varmista, että suojaireuna on irrotettu.

1. Liitä teränsuojus / terälaitteen suojus (A) runkoputkeen ja kiristä pullilla (L).



2. Asenna jousilevy (B) käyttöakselille.
3. Käännä käyttöakselia, kunnes yksi jousilevyn rei'istä on vaihteistokotelon vastaavan reiän kohdalla.
4. Lukitse akseli asettamalla lukkotappi (C) reikään.
5. Aseta terä (E), tukilaippa (F) ja tukikuppi (G) käyttöakselille.
6. Asenna mutteri (H). Pidä kiinni avaimen varresta mahdollisimman läheltä teräsuojusta. Kiristä mutteri kääntämällä avainta pyörimissuunnan vastaiseen suuntaan. Mutteri kiristetään momenttiin 35-50 Nm (3,5-5 kpm).

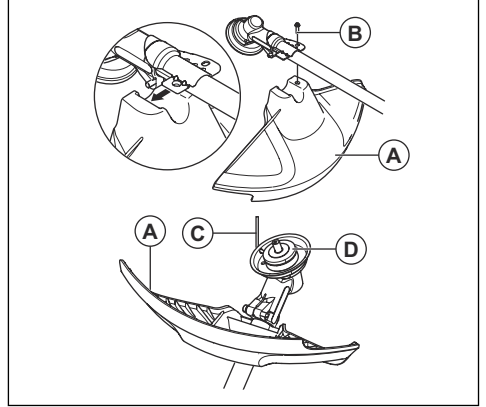


**Huomautus:** Vasenkätiset kiertet.

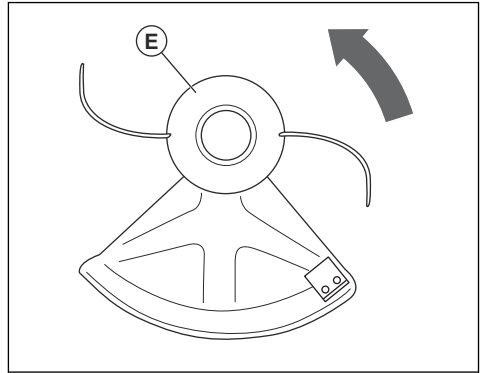
## Siimapään suojuksen kiinnittäminen siimapäähän

**Huomautus:** Varmista, että käytät oikeaa siimapään suojusta ja oikeaa siimapäätä.

1. Kiinnitä oikea siimapään suojus / yhdistelmäsuojus (A) siimapäähän.
2. Asenna siimapään suojus / yhdistelmäsuojus vetovarren ympärille ja kiristä se pullilla (B). Käytä lukkotappia tai kuusiokoloavainta (C).



3. Aseta lukkotappi tai kuusiokoloavain (C) ruuvikannan uraan ja kiristä.
4. Kiinnitä jousilevy (D) käyttöakselille.
5. Käännä käyttöakselia, kunnes yksi jousilevyn rei'istä on kulmavaihdekotelon vastaavan reiän kohdalla.
6. Lukitse vetovarsi asettamalla lukkotappi tai kuusiokoloavain (C) reikään.
7. Asenna siimapäätä / muoviterät (E). Käännä siimapäätä / muoviterät vastapäivään.



8. Irrotus tapahtuu päinvastaisessa järjestyksessä.

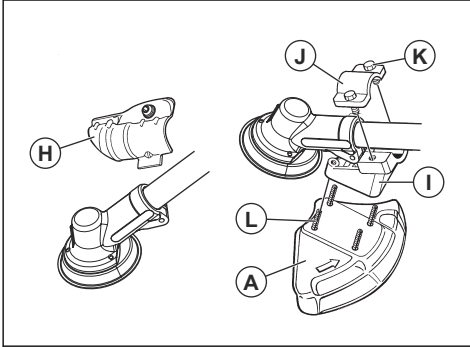
## Teränsuojuksen ja raivausterän asennus



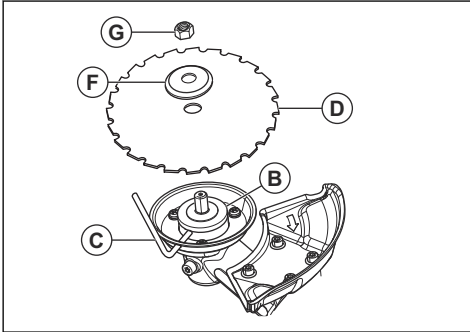
**HUOMAUTUS:** Käytä vain hyväksytyjä teränsuojuksia. Katso kohta *Tekniset tiedot sivulla 100*.

1. Irrota kiinnityslevy (H).

- Asenna sovitin (I) ja kiinnikekansi (J) kahdella ruuvilla (K).
- Asenna teränsuojus (A) sovittimeen 4 ruuvilla (L).

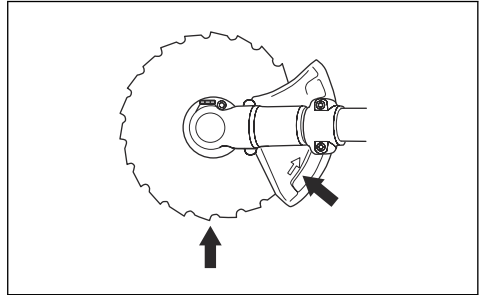
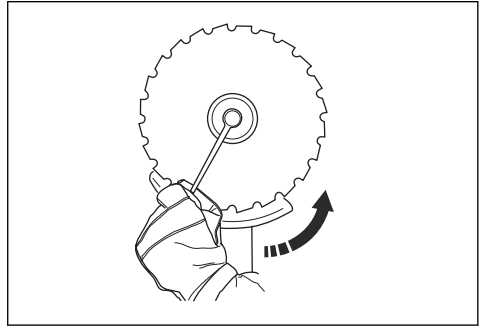


- Asenna jousilevy (B) käyttöakselille.
- Pyöritä teräksellia, kunnes yksi vääntiön rei'istä tulee vaihteistokotelon vastaavan reiän kohdalle.
- Lukitse akseli työntämällä lukkotappi (C) reikään.
- Aseta terä (D) ja tukilaippa (F) käyttöakselille.
- Asenna mutteri (G). Mutteri on kiristettävä momenttiin 35–50 Nm (3,5–5 kpm). Käytä työkalusarjaan kuuluvaa hylsyavainta. Pidä kiinni avaimen varresta mahdollisimman läheltä teränsuojusta. Mutteri kiristyy, kun avainta käännetään pyörimissuuntaa vastaan.



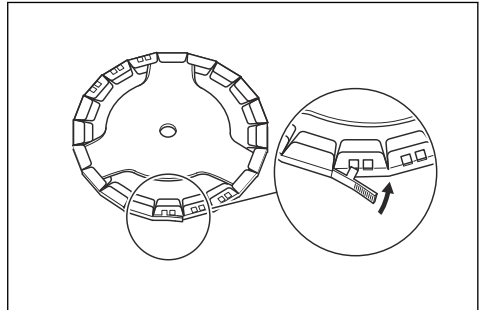
**Huomautus:** Vasenkätiset kiertet.

- Raivausterän mutteria avattaessa ja kiristettäessä on aiheuttavat raivausterän hampaat tapaturmavaaran. Varmista siksi aina, että teränsuojus suojaa kättäsi. Tämä on mahdollista, kun käytät aina riittävän pitkällä varrella varustettua hylsyavainta. Kuvan nuoli osoittaa, millä alueella hylsyavain on pidettävä avattaessa ja kiristettäessä.



## Kuljetussuojuksen kiinnittäminen

- Kiinnitä kuljetussuojus terän päälle kuvan osoittamalla tavalla.



## Valjaiden säätäminen



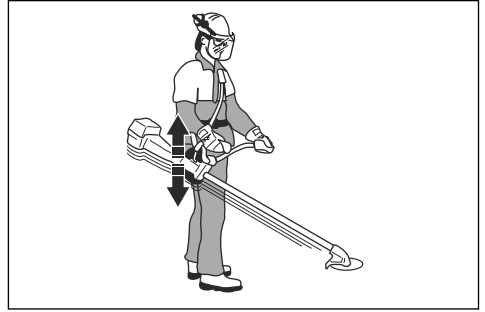
**VAROITUS:** Laitte on aina kiinnitettävä kunnolla valjaisiin. Muussa tapauksessa et voi hallita laitetta turvallisesti, ja seurauksena voi olla vahinkoa sinulle tai muille. Älä käytä vaurioituneita valjaita. Älä

käytä valjaita, joiden pikavapautusmekanismi on viallinen.

1. Pue valjaat päällesi.
2. Liitä valjaat laitteeseen.
3. Säädä valjaat sopivaan työasentoon.
4. Säädä sivuhihnoja niin, että laitteen paino jakautuu tasaisesti hartioille.



5. Säädä valjaat niin, että terälaite on maanpinnan suuntaisesti.



6. Anna terälaitteen nojata kevyesti maata vasten. Säädä valjaiden kiinnike niin, että laite on tasapainossa.

**Huomautus:** Jos ruohoterä on käytössä, sen on oltava noin 10 cm maanpinnan yläpuolella.

## Käyttö



**VAROITUS:** Lue ja sisäistä turvallisuutta käsittelevä luku ennen laitteen käyttämistä.

### Johdanto



**VAROITUS:** Lue turvallisuutta käsittelevä luku niin, että ymmärrät sen sisällön, ennen laitteen käyttämistä.

### Polttoaine

Tässä laitteessa on kaksitahtimoottori.



**HUOMAUTUS:** Vääräntyyppinen polttoaine voi vaurioittaa moottoria. Käytä bensiiniin ja kaksitahtiöljyn seosta.

### Valmis polttoainesekoitus

- Käytä valmiiksi sekoitettua McCulloch-alkylaattibensiiniä, sillä se takaa parhaan suorituskyvyn ja pidentää moottorin käyttöikää. Tällainen polttoaine sisältää tavallista polttoainetta vähemmän haitallisia kemikaaleja, mikä vähentää haitallisia pakokaasuja. Tällaisesta polttoaineesta jää vähemmän karstaa polton jälkeen, jolloin moottorin osat pysyvät puhtaampina.

### Polttoaineen sekoittaminen

#### Bensiini

- Käytä korkealaatuista lyijytöntä bensiiniä, jossa on enintään 10 % etanolia-



**HUOMAUTUS:** Älä käytä bensiiniä, jonka oktaaniluku on pienempi kuin 90 RON / 87 AKI. Jos oktaaniluku on pienempi, moottori voi alkaa nakuttaa, mikä vaurioittaa moottoria.

#### Kaksitahtiöljy

- Käytä McCulloch-kaksitahtiöljyä, sillä se takaa parhaat tulokset ja suorituskyvyn.
- Jos McCulloch-kaksitahtiöljyä ei ole saatavilla, voidaan käyttää jotakin muuta ilmajäähdytteisille moottoreille tarkoitettua korkealaatuista kaksitahtiöljyä. Kysy huoltoliikkeestä ohjeita oikean öljyn valintaan.



**HUOMAUTUS:** Älä käytä vesijäähdytteisille ulkolaitamoottoreille tarkoitettua kaksitahtiöljyä. Älä käytä nelitahtimoottoreille tarkoitettua öljyä.

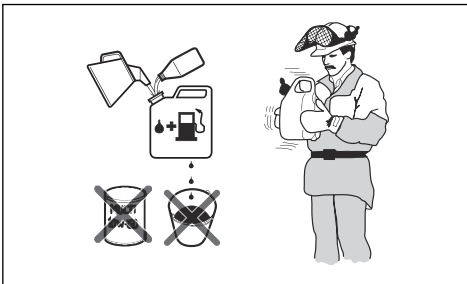
#### Bensiinin ja kaksitahtiöljyn sekoitus

Bensiini, litraa	Kaksitahtiöljy, litraa
	2 % (50:1)

5	0,10
10	0,20
15	0,30
20	0,40
<b>Yhdysvaltain gallona</b>	<b>Yhdysvaltain nesteunssi</b>
1	2 ½
2 1/2	6 ½
5	12 ¾



**HUOMAUTUS:** Kun polttoainetta sekoitetaan pieniä määriä, pienikin mittausvirhe voi vaikuttaa sekoitusasteeseen suuresti. Mittaa öljymäärä huolellisesti ja varmista, että seoksen suhde on oikea.



1. Lisää puhtaaseen polttoainesäiliöön puolet bensiiniin kokonaismäärästä.
2. Lisää koko öljymäärä.
3. Ravista polttoaineseosta.
4. Lisää loput bensiinistä säiliöön.
5. Ravista polttoaineseosta huolellisesti.



**HUOMAUTUS:** Sekoita korkeintaan yhden kuukauden polttoaineet kerrallaan.

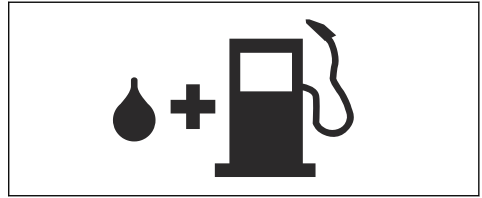
### Polttoainesäiliön täyttö



**VAROITUS:** Noudata seuraavia turvallisuustoimenpiteitä.

1. Sammuta moottori ja anna sen jäähtyä.

2. Pyyhi polttoainesäiliön korkin ympäristö puhtaaksi.



3. Ravista kannua ja varmista, että polttoaine on sekoittunut kokonaan.
4. Vapauta polttoainesäiliöstä painetta avaamalla polttoainesäiliön korkki hitaasti.
5. Täytä polttoainesäiliö.



**HUOMAUTUS:** Varmista, että polttoainesäiliössä ei ole liikaa polttoainetta. Polttoaine laajenee lämmitessään.

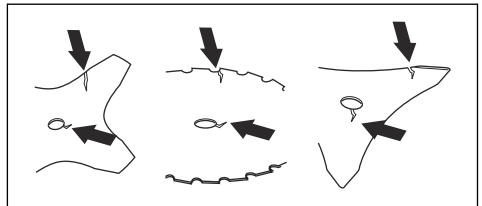
6. Kiristä polttoainesäiliön korkki tiukasti.
7. Puhdista polttoaineroiskeet laitteen päältä ja ympäriltä.
8. Siirrä laite vähintään 3 metrin päähän polttoaineen lisäämis- ja säilytyspaikalta ennen käynnistämistä.

**Huomautus:** Laitteen polttoainesäiliön paikka kerrotaan kohdassa *Laitteen kuvaus sivulla 79*.

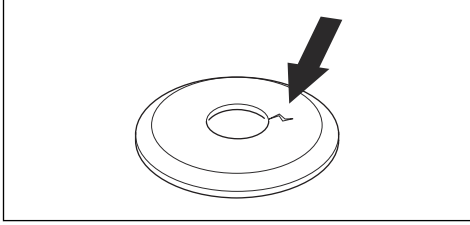
### Käynnistys ja sammutus

#### Ennen tuotteen käyttöä

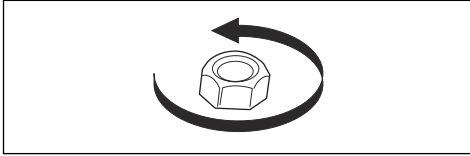
- Varmista työaluetta tutkimalla, että tunnet maaston laadun ja kaltevuuden ja mahdolliset esteet, kuten kivet, oksat ja ojat.
- Tarkista laite kokonaisuudessaan.
- Tee tässä ohjekirjassa kuvatut turvallisuustarkastukset ja huolto- ja ylläpitotoimenpiteet.
- Varmista, että kaikki kannet, suojukset, kahvat ja terävarustus on kiinnitetty oikein, eikä niissä ole vaurioita.
- Varmista, ettei raivausterän pohjassa tai ruohoterän hampaissa tai terän keskireiässä ole halkeamia. Vaihda terä, jos se on vaurioitunut.



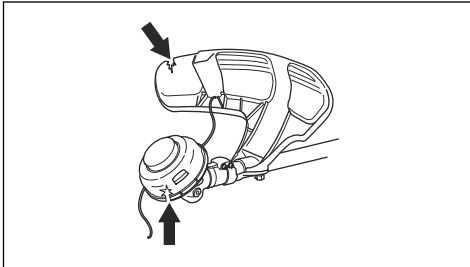
- Tarkista, onko tukilapaissa halkeamia. Vaihda tukilapa, jos se on vaurioitunut.



- Varmista, ettei lukkomutteria voi irrottaa käsin. Jos sen voi irrottaa käsin, se ei lukitse terälaitetta riittävästi tiukasti ja se on vaihdettava.

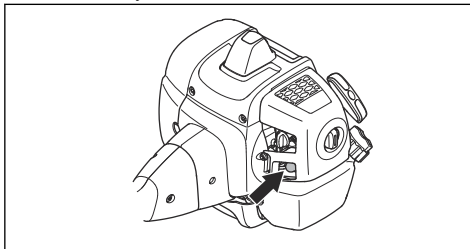


- Tarkista teränsuojus vaurioiden tai halkeamien varalta. Vaihda teränsuojus, jos siinä on kolhuja tai halkeamia.
- Tarkista siimapää ja terälaitteen suojus vaurioiden tai halkeamien varalta. Vaihda siimapää ja terälaitteen suojus, jos niissä on kolhuja tai halkeamia.

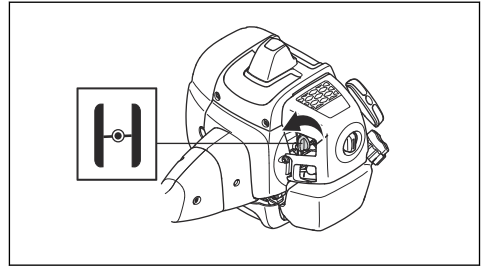


## Moottorin käynnistäminen

1. Aseta laite tasaiselle ja tukevalle alustalle. Pidä terälaitte irti maasta.
2. Paina polttoaineen ilmauspumpppua, kunnes se alkaa täyttyä polttoaineella. Polttoaineen ilmauspumpppua ei tarvitse täyttää kokonaan.

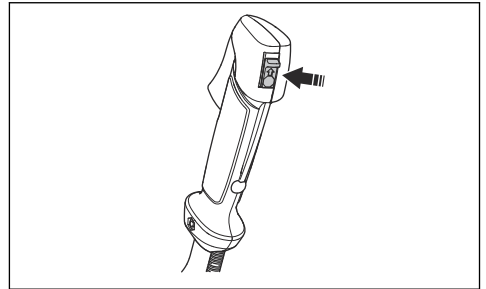


3. Siirrä rikastimen vipu rikastusasentoon.

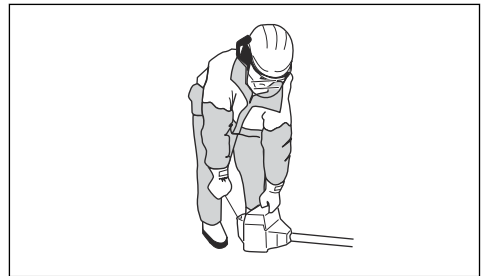


**VAROITUS:** Terälaitte alkaa pyöriä heti, kun moottori käynnistetään rikastimella.

4. Aseta käynnistys-/pysäytyskytkin käyntiasentoon.



5. Paina laitteen runkoa maata vasten vasemmalla kädellä.



6. Pitele käynnistysnarun kahvaa oikealla kädellä.
7. Vedä käynnistysnarua hitaasti oikealla kädellä, kunnes tunnet vastuksen.



**VAROITUS:** Älä kiedo käynnistysnarua kätesi ympärille.

8. Vedä narua nopeasti ja voimakkaasti. Vedä käynnistysnarua, kunnes moottori käynnistyy.



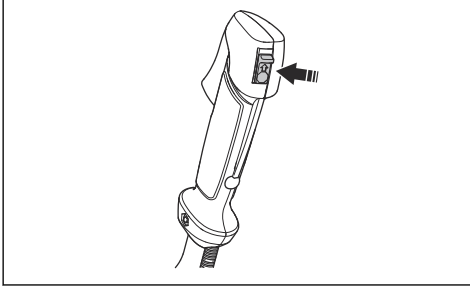
**HUOMAUTUS:** Älä vedä käynnistysnarua täysin ulos äläkä irrota otetta käynnistysnarun kahvasta, kun

käynnistysnaru on täysin ulkona. Se voi vaurioittaa konetta.

9. Nollaa rikastin, kun moottori sytyttää.
10. Käytä kaasuliipaisinta vähitellen, kun moottori käynnistyy.
11. Varmista, että moottori käy tasaisesti ja anna moottorin lämmetä 1–2 minuuttia ennen käyttöä.

### Laitteen pysäyttäminen

- Sammuta moottori painamalla pysäytintä.



### Takapotku

- Takapotku tarkoittaa laitteen äkillistä liikahtamista sivulle, eteen tai taakse. Takapotku tapahtuu, kun ruohoterä osuu esteeseen, jota ei voi leikata. Takapotkun riski on suurempi alueilla, joilla leikattavan materiaalin näkeminen on hankalaa.
- Kun takapotku tapahtuu, vaarana on laitteen tai käyttäjän siirtyminen pois paikaltaan. Liikkuva terä voi osua sivullisiin ja aiheuttaa loukkaantumisen.
- Hävitä terä, jos se on taipunut, rikkoutunut tai vaurioitunut tai siinä on halkeamia.
- Käytä terävää terää. Tylsä terä lisää takapotkun riskiä.

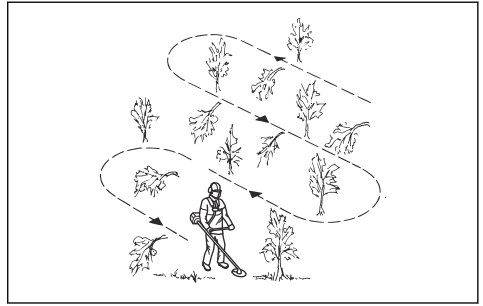
### Yleiset työohjeet



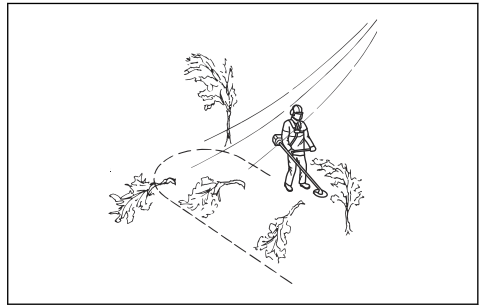
**VAROITUS:** Ole varovainen jännityksessä olevaa puuta sahatessasi. Se voi ponnahtaa takaisin normaaliin asentoonsa ennen sahausta tai sen jälkeen ja osua sinuun tai laitteeseen, mikä voi aiheuttaa vamman.

- Raivaa avoin tila työalueen toiseen päähän ja aloita työskentely sieltä.

- Liiku säännöllistä kuviota noudattaen työalueen läpi.



- Liikuttamalla laitetta kokonaan vasemmalle ja oikealle raivaat 4–5 m leveän alueen jokaisella kierroksella.
- Raivaa 75 metrin pituudelta ennen kääntymistä ja takaisin palaamista. Kuljeta polttoainekannisteria mukana.
- Liiku suuntaan, jossa sinun ei tarvitse ylittää oja ja esteitä enempää kuin on tarpeen.
- Liiku suuntaan, jossa tuuli saa leikatun kasvillisuuden putoamaan raivatulle alueelle.



- Liiku rinteitä myöten, älä ylös ja alas.

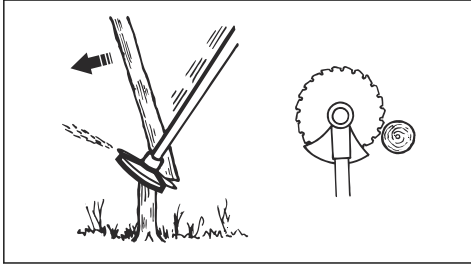
### Metsänraivaus raivausterällä

#### Puun kaataminen vasemmalle

Jos puu kaadetaan vasemmalle, paina puun alaosa oikealle.

1. Anna täyskaasu.
2. Aseta raivausterä puuta vasten kuvan mukaisesti.

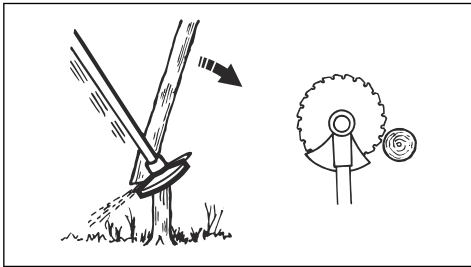
3. Kallista raivausterää ja paina sitä voimakkaasti alas oikealle vinoon. Paina samalla puuta teränsuojuksella.



### Puun kaataminen oikealle

Jos puu kaadetaan oikealle, paina puun alaosa vasemmalle.

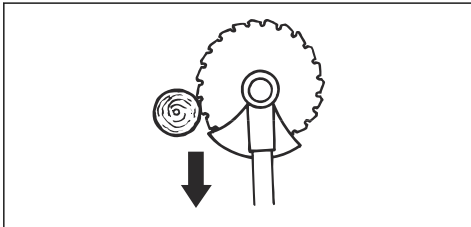
1. Anna täyskaasu.
2. Aseta raivausterä puuta vasten kuvan mukaisesti.
3. Kallista raivausterää ja paina sitä voimakkaasti ylös oikealle vinoon. Paina samalla puuta teränsuojuksella.



### Puun kaataminen eteenpäin

Jos puu kaadetaan eteenpäin, paina puun alaosa taaksepäin.

1. Anna täyskaasu.
2. Aseta raivausterä puuta vasten kuvan mukaisesti.
3. Vedä raivausterää taaksepäin nopealla liikkeellä.

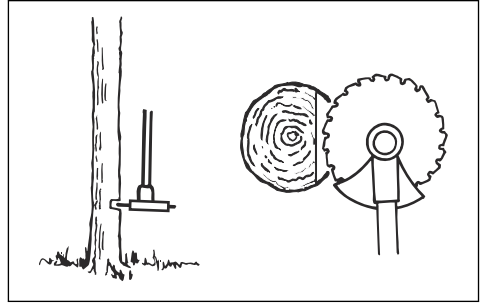


### Paksujen puiden kaataminen

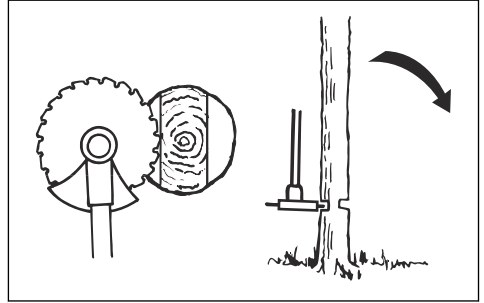
Paksut puut täytyy sahata molemmilta puolilta.

1. Tarkista, mihin suuntaan puu kaatuu.
2. Anna täyskaasu.

3. Tee ensimmäinen leikkaus puun kaatosuunnan puolelle.



4. Sahaa puun läpi toiselta puolelta.



**HUOMAUTUS:** Jos raivausterä juuttuu, älä vedä laitetta äkillisellä liikkeellä. Se voi vahingoittaa raivausterää, kulmavaihdetta, vetovartta tai kahvastoja. Irrota ote kahvoista ja tartu vetovarteen molemmin käsin ja vedä laite varovasti irti.

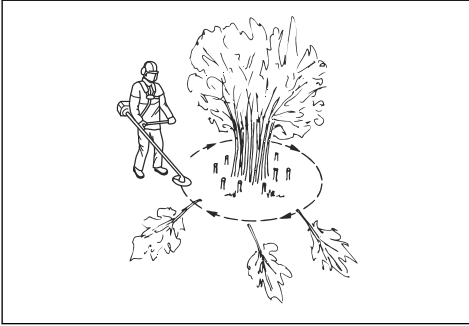
**Huomautus:** Paina terää enemmän, kun kaadat pieniä puuta. Paina terää vähemmän, kun kaadat suuria puuta.

### Pensaikkojen raivaus raivausterällä

Jos puu kaadetaan vasemmalle, paina puun alaosa oikealle.

- Katkaise ohuet puut ja pensaats.
- Liikuta laitetta puolelta toiselle.
- Katkaise monta puuta yhdellä liikkeellä.

- Ohuiden puiden ryhmät:



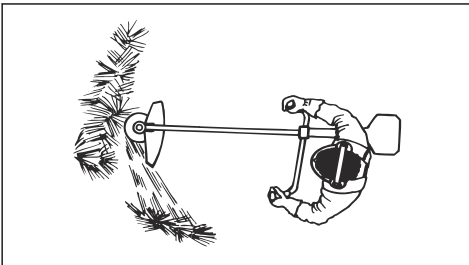
- Katkaise uloimmat puut ylhäältä.
- Katkaise uloimmat puut oikeaan korkeuteen.
- Katkaise keskeltä. Jos et pääse keskelle, katkaise uloimmat puut ylhäältä ja anna niiden kaatua. Tämä vähentää raivausterän juuttumisen vaaraa.

## Ruohonraivaus ruuhoterällä



**HUOMAUTUS:** Älä käytä ruuhoteriä puuhun. Käytä ruuhoteriä vain pitkään tai paksuun ruuhon.

- Liikuta laitetta puolelta toiselle.
- Aloita liike oikealta vasemmalle, kun leikkaat. Siirrä laitetta oikealle, ennen kuin leikkaat uudelleen.
- Leikkaa ruuhoterän vasemmalla puolella.



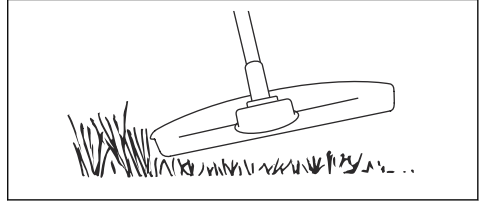
- Kallista ruuhoterä vasemmalle, niin ruoho putoaa aumaksi. Tällöin ruohon kerääminen on helppoa.
- Pysy vakaassa haara-asennossa.
- Siirry eteenpäin jokaisen oikealle suunnatun liikkeen jälkeen ja varmista ennen leikkaamisen jatkamista, että asentosi on vakaa.
- Paina tukikuppia kevyesti maata vasten, jotta ruuhoterä ei osu maahan.
- Noudattamalla näitä ohjeita vähennät vaaraa, että leikkuujäte kiertyy ruuhoterän ympärille:
  - Anna täyskaasu.
  - Älä vie ruuhoterää leikkuujätteen läpi, kun liikutat laitetta vasemmalta oikealle.

- Ennen kuin keräät leikkuujätteen, sammuta moottori ja irrota laite valjaista. Laske laite maahan.

## Ruohontrimmaus siimapäällä

### Ruohon siistiminen

1. Pidä siimapää aivan maanpinnan yläpuolella ja kallista sitä. Älä paina siimaa ruuhon.



2. Lyhennä siiman pituutta noin 10–12 cm (4–4,75").
3. Pienennä moottorin käyntinopeutta, jotta kasvit eivät vahingoitu.
4. Käytä 80 % täydestä kaasusta, kun leikkaat ruohoa esineiden läheltä.



### Ruohon raivaaminen

1. Pidä siimapää maanpinnan yläpuolella.
2. Kallista siimapäätä.
3. Leikkaa siiman päällä työalueella olevien kohteiden ympäriltä.



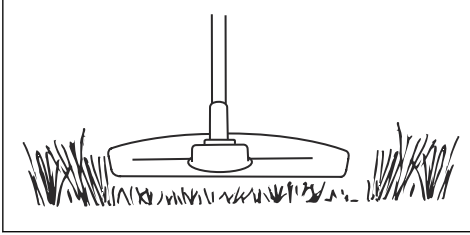
**HUOMAUTUS:** Leikkaa ruohoa. Siiman osuminen muihin kohteisiin kuluttaa siimaa.

4. Käytä 80 %:n nopeutta leikatessasi ja raivatessasi kasvillisuutta. Tämä vähentää siimapään ja siiman kulumista.

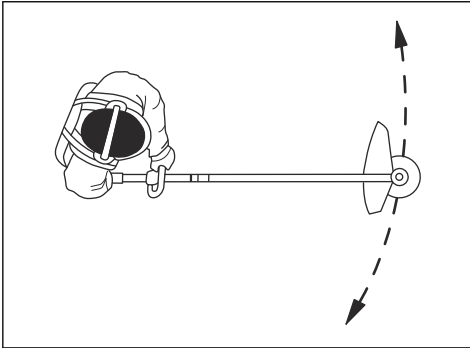


## Ruohon leikkaaminen

1. Varmista, että siima on maanpinnan suuntaisena, kun leikkaat ruohoa.



2. Älä paina siimapäätä maahan. Se voi vaurioittaa laitetta.
3. Liikuta laitetta puolelta toiselle, kun leikkaat ruohoa. Käytä laitetta täydellä kaasulla.



## Ruohon lakaiseminen

Leikatun ruohon voi poistaa alueelta pyörivän trimmerin siiman aiheuttaman ilmavirran avulla.

1. Pidä siimapäätä ja siimaa maan suuntaisesti maan yläpuolella.
2. Anna täyskaasu.
3. Lakaise ruoho liikuttamalla siimapäätä puolelta toiselle.



**VAROITUS:** Puhdista siimapään kansi aina, kun asennat uuden siiman, epätasapainon ja kahvojen tärinän estämiseksi. Tarkista myös muut siimapään osat ja puhdista tarvittaessa.

## Huolto

### Johdanto



**VAROITUS:** Lue ja sisäistä turvallisuutta käsittelevä luku ennen laitteen huoltamista.

### Huoltokaavio

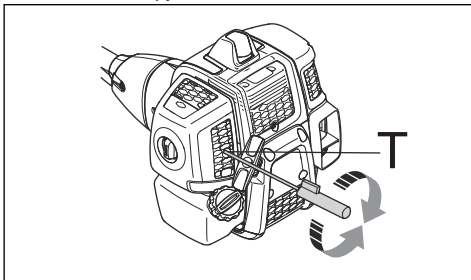
Huolto	Päivittäin	Viikoittain	Kuukausittain
Puhdista ulkopinta.	X		
Tarkista valjaat vaurioiden varalta.	X		
Tarkista turvaliipaisimen varmistin ja turvaliipaisin. Katso kohta <i>Kaasuliipaisimen varmistimen tarkistaminen sivulla 83</i> .	X		
Tarkista kahva ja kahvasto vaurioiden varalta ja varmista, että ne on kiinnitetty oikein.	X		
Tarkista pysäytin. Katso kohta <i>Pysäyttimen tarkistaminen sivulla 84</i> .	X		

Huolto	Päivittäin	Viikoittain	Kuukausittain
Varmista, ettei terälaite pyöri joutokäyntinopeudella.	X		
Puhdista ilmansuodatin. Vaihda, jos vaurioita on.	X		
Tarkista terälaitteen suojus vaurioiden ja halkeamien varalta.	X		
Varmista, että raivausterä tai ruohoterä on kiinnitetty oikein. Varmista, että raivausterä tai ruohoterä on terävä ja kunnossa.	X		
Tarkista siimapää vaurioiden ja halkeamien varalta. Vaihda, jos vaurioita on.	X		
Kiristä lukitusmutterin sisältävien terälaitteiden lukitusmutteri kokonaan.	X		
Tarkista kuljetussuojus vaurioiden varalta ja varmista, että se voidaan kiinnittää oikein.	X		
Kiristä mutterit ja ruuvit.	X		
Tarkista moottori, polttoainesäiliö ja polttoaineletkut vuotojen varalta.	X		
Tarkista käynnistin ja käynnistysnaru vaurioiden varalta.		X	
Tarkista sytytystulppa. Katso kohta <i>Sytytystulpan tarkistus sivulla 100</i> . Vaihda sytytystulppa tarvittaessa. Varmista, että sytytystulppa on varustettu häiriösuodattimella.		X	
Puhdista kaasuttimen ulkopinta ja sen ympäristö.		X	
Varmista, että kulmavaihde on täytetty rasvalla. Katso kohta <i>Kulmavaihde sivulla 100</i> .		X	
Tarkista polttoainesuodatin likaantumisen ja polttoaineletku halkeamien tai muiden vaurioiden varalta. Vaihda tarvittaessa.			X
Tarkista kaikki kaapelit ja liitännät.			X
Vaihda sytytystulppa. Varmista, että sytytystulppa on varustettu häiriösuodattimella.			X

## Joutokäyntinopeuden säätö

Suurkierrosneula ja matalakierrosneula on asetettu pysyvästi, eikä niitä voi säätää. Joutokäyntinopeus on ainoa toiminto, jota voidaan säätää.

- Käynnistä moottori ja varmista, että se on lämmin, ennen kuin aloitat joutokäyntinopeuden säätämisen.
- Kierrä joutokäyntiruuvia ensin myötäpäivään, kunnes terälaite alkaa pyöriä.



- Kierrä joutokäyntiruuvia vastapäivään, kunnes terälaite pysähtyy.
- Joutokäyntinopeuden on oltava pienempi kuin käyntinopeuden, jolla terälaite alkaa pyöriä. Joutokäyntinopeus on oikea, kun moottori käy tasaisesti kaikilla asennoilla.

## Äänenvaimentimen kunnossapito

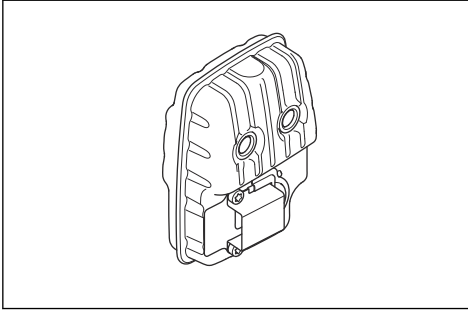
Äänenvaimennin vaimentaa äänitasoa ja ohjaa pakokaasut käyttäjästä poispäin.



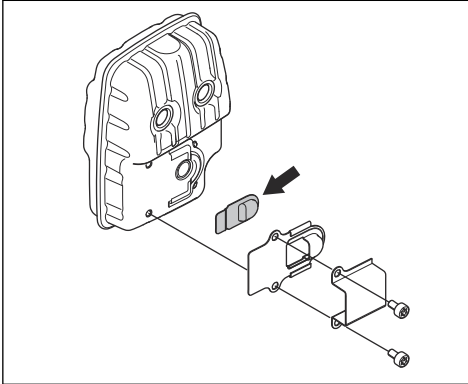
**VAROITUS:** Katalyysaattorilla varustetut äänenvaimentimet ovat erittäin kuumia käytön aikana ja jonkin aikaa laitteen sammuttamisen jälkeen. Tämä koskee myös joutokäyntiä. Jos kosketat laitetta, voit saada palovammoja. Ota huomioon tulipalon vaara.

- Sammuta koneen virta ja anna sen jäähtyä.

## 2. Irrota äänenvaimennin.



## 3. Irrota ruuvit, joilla kipinänsammutusverkko on kiinni.



## 4. Puhdista kipinänsammutusverkko, jos se on tukossa, tai vaihda se, jos se on vioittunut.



### **HUOMAUTUS:** Jos

kipinänsammutusverkko on vioittunut, se on vaihdettava. Älä käytä laitetta, jos äänenvaimentimen kipinänsammutusverkko puuttuu tai on viallinen.



### **HUOMAUTUS:** Jos

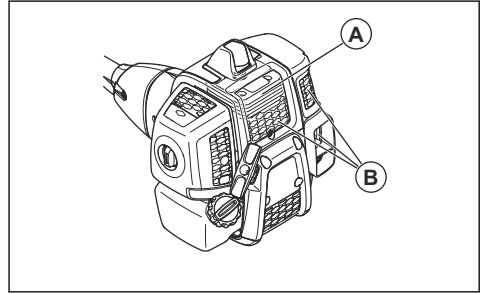
kipinänsammutusverkko tukkeutuu usein, se voi olla merkki katalyysaattorin toiminnan heikentymisestä. Ota yhteyttä huoltoliikkeeseen äänenvaimentimen tarkistusta varten. Tukkeutunut kipinänsammutusverkko saa laitteen ylikuumenemaan, mistä seuraa sylinteri- ja mäntävaurioita.

## Jäähdytysjärjestelmän puhdistaminen/ huolto

Tässä laitteessa on jäähdytysjärjestelmä. Likainen tai tukkeutunut jäähdytysjärjestelmä voi aiheuttaa laitteen ylikuumenemisen, mikä voi aiheuttaa sylinteri- ja mäntävaurioita. Tarkista ja puhdista

jäähdytysjärjestelmä harjalla vähintään kerran viikossa tai useammin haastavissa olosuhteissa.

Jäähdytysjärjestelmä koostuu sylinterin jäähdytysriivoista (A) ja ilmanottoaukosta (B).



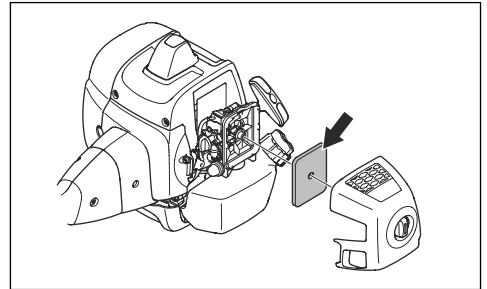
## Ilmansuodatin

Likainen ilmansuodatin voi aiheuttaa kaasuttimen toimintahäiriön, käynnistysongelmia, tehon heikkenemistä ja moottorin osien kulumista. Se saa myös moottorin kuluttamaan polttoainetta enemmän kuin on tarpeen. Puhdista suodatin kahdeksan tunnin välein tai useammin, jos laitetta käytetään pölyisessä ympäristössä.

**Huomautus:** Moottorin säätäminen voi olla tarpeen ilmansuodattimen puhdistuksen tai vaihdon jälkeen. Katso *Joutokäyntinopeuden säätö* sivulla 98.

## Ilmansuodattimen puhdistaminen ja tarkastaminen

### 1. Irrota ilmansuodatin.



### 2. Puhdista huopainen ilmansuodatin paineilmalla.

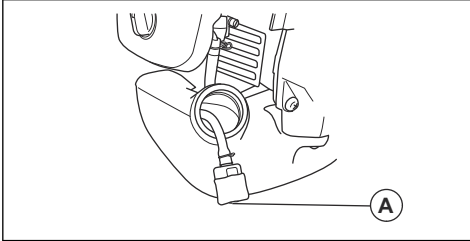


**HUOMAUTUS:** Vaihda huopainen ilmansuodatin, jos se ei puhdistu. Vaurioitunut huopainen ilmansuodatin on aina vaihdettava.

### 3. Puhdista suodattimen kannen sisäpinta. Käytä paineilmatai harjaa.

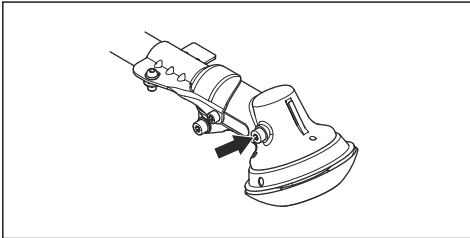
## Polttoainesuodatin

Kun moottori ei saa tarpeeksi polttoainetta, varmista, että polttoainesäiliön korkin ilmareikä ja polttoainesuodatin (A) ovat puhtaita.



## Kulmavaihte

Kulmavaihte on tehtaalta toimitettaessa täytetty sopivalla rasvamäärällä. Varmista kuitenkin ennen laitteen käyttämistä, että 3/4 kulmavaihteesta on täytetty rasvalla. Käytä McCulloch-erikoisrasvaa.



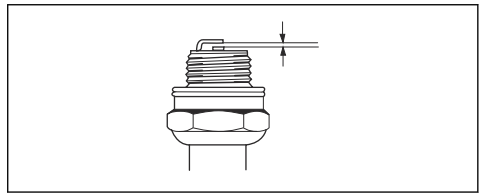
Kulmavaihteen rasvaa ei tarvitse vaihtaa, ellei kulmavaihdetta korjata.

## Sytytystulpan tarkistus



**HUOMAUTUS:** Käytä aina suositeltua sytytystulppaa. Väärä sytytystulpan tyyppi voi aiheuttaa laitteen vaurioitumisen.

- Tarkista sytytystulppa, jos moottorin teho on heikko, moottoria on vaikea saada käyntiin tai se ei toimi oikein joutokäyntinopeudella.
- Ehkäise ylimääräisen materiaalin joutuminen sytytystulpan elektrodeihin noudattamalla seuraavia ohjeita:
  - a) Varmista, että joutokäyntinopeus on säädetty oikein.
  - b) Varmista, että polttoaineseos on oikea.
  - c) Varmista, että ilmansuodatin on puhdas.
- Jos sytytystulppa on karstoittunut, puhdista se ja tarkista samalla, että kärkiväli on oikea, katso *Tekniset tiedot sivulla 100*.



- Vaihda sytytystulppa tarvittaessa.

## Tekniset tiedot

	B40 B Elite	B40 BT Elite
<b>Moottori</b>		
Sylinteritilavuus, cm <sup>3</sup>	40,1	40,1
Sylinterin halkaisija, Ø mm	40,5	40,5
Sylinterin iskunpituus, mm	31,1	31,1
Joutokäyntinopeus, r/min	3 000	3 000
Suositteltu enimmäisnopeus, r/min	12 000	12 000
Käyttöakselin pyörimisnopeus, r/min	8220	8220
ISO 8893 -standardin mukainen enimmäisteho, kW / r/min	1,5 / 9 000	1,5 / 9 000
<b>Sytytysjärjestelmä</b>		
Sytytystulppa	NGK CMR7H-10	NGK CMR7H-10
Kärkiväli, mm	0,9–1,0	0,9–1,0
<b>Polttoaine-/voitelujärjestelmä</b>		

	<b>B40 B Elite</b>	<b>B40 BT Elite</b>
Kaasuttimen valmistaja/tyyppi	Ruixing H225D-	Ruixing H225D-
Polttoainesäiliön tilavuus, l/cm <sup>3</sup>	1 / 1000	1 / 1000
<b>Paino</b>		
Ilman polttoainetta, terälaitetta ja suojusta, kg	7,3	7,4
<b>Melupäästöt<sup>10</sup></b>		
Äänentehotaso, mitattu dB(A)	112	112
Äänentehotaso, taattu L <sub>WA</sub> dB(A)	118	118
<b>Äänitasot<sup>11</sup></b>		
Ekvivalentti äänenpainetaso käyttäjän korvan tasalla mitattuna EN/ISO 11806- ja ISO 22868 -standardien mukaan, dB(A), min./maks.		
Varustettu siimapäällä (alkuperäinen)	100	100
Varustettu ruohoterällä (alkuperäinen)	99	99
Varustettu sahanterällä (alkuperäinen)	–	99
<b>Tärinätasot<sup>12</sup></b>		
Kahvojen vastaavat tärinätasot (a <sub>h<sub>v,eq</sub></sub> ) mitattuna EN ISO 11806- ja ISO 22867 -standardien mukaan, m/s <sup>2</sup>		
Varustettu siimapäällä (alkuperäinen), vasen/oikea	3,4 / 4,4	3,4 / 4,4
Varustettu ruohoterällä (alkuperäinen), vasen/oikea	5,2 / 5,1	5,2 / 5,1
Varustettu sahanterällä (alkuperäinen), vasen/oikea	–	4,5 / 4,2

<b>B40 B Elite, B40 BT Elite</b>		
<b>Hyväksytyt lisävarusteet</b>	<b>Tyyppi</b>	<b>Terälaitteen suojus, Tuotenro</b>
Terien/leikkaimien keskireikä Ø 25,4 mm		
Teräkselin kierre M12		
Ruohoterä/ruohoveitsi	Ruohoterä 255-4 1" (Ø 255, 4-hampainen)	580 30 50-01
	Ruohoterä 255-3 (Ø 255 3-hampainen)	580 30 50-01
Raivausterä	Sahanterä 200-22 (ø 200, 22-hampainen)	581 33 84-01

<sup>10</sup> Melupäästö ympäristöön äänitehona (L<sub>WA</sub>) EY-direktiivin 2000/14/EY mukaisesti mitattuna. Laitteen ilmoitettu äänentehotaso on mitattu käyttäen alkuperäistä terälaitetta, joka antaa suurimman äänentehotason. Taatun äänitehonerona on se, että taattu ääniteho sisältää myös mitatun tuloksen hajonnan ja vaihtelun saman mallin eri laitteiden välillä direktiivin 2000/14/EY mukaisesti.

<sup>11</sup> Ekvivalentista äänenpainetasosta ilmoitettujen tietojen tyypillinen tilastollinen hajonta (keskihajonta) on 1 dB(A).

<sup>12</sup> Tärinätasolle ilmoitetuissa tiedoissa tyypillinen tilastollinen hajonta (vakiopoikkeama) on 1 m/s<sup>2</sup>.

<b>B40 B Elite, B40 BT Elite</b>		
Siimapää	P35	580 30 50-01
Tukikuppi	Kiinteä	-

## EY-vaatimustenmukaisuusvakuutus

**Husqvarna AB**, SE-561 82 Huskvarna, Ruotsi, puh. +46-36-146500, vakuuttaa täten, että **McCulloch B40 B Elite** -trimmeri alkaen vuoden 2021 sarjanumeroista (vuosi on ilmoitettu arvokilvessä ennen sarjanumeroa) on valmistettu noudattaen seuraavaa NEUVOSTON DIREKTIIVIÄ:

- 17. toukokuuta 2006 annettu konedirektiivi **2006/42/EY**
- 26. helmikuuta 2014 annettu direktiivi **2014/30/EY** sähkömagneettisesta yhteensopivuudesta.
- 8. toukokuuta 2000 annettu direktiivi **2000/14/EY**, joka koskee melupäästöjä ympäristöön. Yhteensopivuus on määritelty Liitteen V mukaan. Melupäästöjä koskevat tiedot löytyvät luvusta Tekniset tiedot.
- 8. kesäkuuta 2011 annettu direktiivi tiettyjen vaarallisten aineiden käytön rajoittamisesta sähkö- ja elektroniikkalaitteissa, **2011/65/EU**.

Seuraavia standardeja on sovellettu:

**EN ISO 12100:2010, CISPR 12:2007+A1:2009, EN ISO 14982:2009, EN ISO 11806-1:2011, EN IEC 63000:2018**

RISE SMP Svensk Maskinprovning AB, Box 7035, SE-750 07 Uppsala, Sweden on suorittanut Husqvarna AB:n puolesta vapaaehtoisen tyyppitarkastuksen. Sertifikaattien numerot ovat: **SEC/12/2339** - B40 B Elite, B40 BT Elite

RISE SMP Svensk Maskinprovning AB on myös vahvistanut vaatimustenmukaisuuden neuvoston direktiivin 2000/14/EY liitteen V mukaisesti.

Huskvarna, 2020-08-25



Pär Martinsson, kehityspäällikkö (Husqvarna AB:n valtuutettu ja teknisestä dokumentaatiosta vastaava edustaja)

---

## INNHold

---

Innledning.....	104	Vedlikehold.....	123
Sikkerhet.....	106	Tekniske data.....	126
Montering.....	114	EF-samsvarserkl�ring.....	128
Bruk.....	117	.....	0

---

## Innledning

---

### Produktbeskrivelse

Produktet er en ryddesag med en forbrenningsmotor.

Det p g r et kontinuerlig arbeid for    ke sikkerheten og effektiviteten din under bruk. Kontakt serviceforhandleren din for mer informasjon.

### Bruksomr der

Bruk produktet sammen med en sagklinge, en gressklinge eller et trimmerhode for   klippe ulike typer

vegetasjon. Ikke bruk produktet til andre oppgaver enn gresstrimming, gressrydding og skogsrydding. Bruk en sagklinge for   klippe fiberaktige vedtyper. Bruk en gressklinge eller et trimmerhode for   klippe gress.

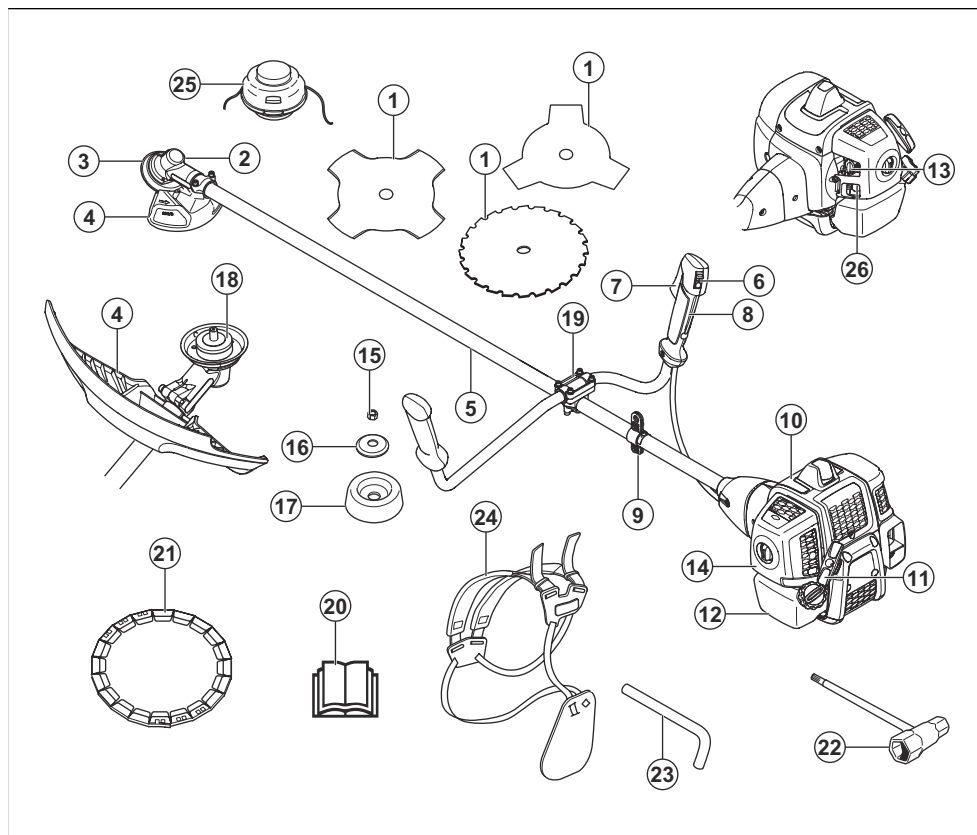
**Merk:** Bruken kan v re regulert av nasjonal eller lokal lovgivning. Samsvar med oppgitt lovgivning.

---

Bruk kun produktet sammen med tilbeh r som er godkjent av produsenten. Se *Tekniske data p  side 126*.



## Produktoversikt



1. Klinge (ikke for alle markeder)
2. Påfyllingslokk for fett, vinkelgir
3. Vinkelgir
4. Beskyttelse for skjæreutstyr
5. Riggør
6. Stoppbryter
7. Gassregulator
8. Gassregulatorsperre
9. Opphengsløkke
10. Sylinderdeksel
11. Starthåndtak
12. Drivstofftank
13. Chokehendel
14. Luftfilterdeksel
15. Låsemutter
16. Støtteflens
17. Støttekopp
18. Medbringerhjul

19. Styreklemme
20. Bruksanvisning
21. Transportdeksel (ikke for alle markeder)
22. Pipenøkkel
23. Låsepinne (for produkter uten unbrakonøkkel)
24. Sele
25. Trimmerhode
26. Pumpe (blære)

### Symboler på produktet



**ADVARSEL!** Dette produktet er farlig. Brukeren eller personer i nærheten kan rammes av personskade eller død dersom produktet ikke brukes forsiktig og korrekt. Les og følg alle sikkerhetsinstruksjonene i brukerhåndboken for å forhindre personskade på brukeren eller personer i nærheten.



Les nøye gjennom bruksanvisningen, og sørg for at du har forstått instruksjonene før bruk.



Bruk vernehjelm på steder der gjenstander kan falle ned på deg. Bruk godkjent hørselsvern. Bruk godkjent øyevern.



Bruk godkjente vernehansker.



Bruk kraftige, sklisikre støvler.



Produktet kan kaste ut objekter, noe som kan føre til skader.



Maksimal hastighet for den utgående akselen.



Hold produktet minst 15 meter / 50 fot unna personer og dyr når du bruker det.



Det er fare for klinge kast dersom skjæreutstyret berører et objekt som ikke umiddelbart lar seg klippe. Produktet kan skjære av kroppsdeler. Hold produktet minst 15 meter / 50 fot unna personer og dyr når du bruker det.



Bruk kun en fleksibel skjæreledning. Ikke bruk metallklinger. Dette gjelder for gressbeskyttelsestilbehør.



Pilene viser grensen for håndtakets posisjon.



Pumpe (blære).



Drivstoffpåfyll.



Choke.



Støyutslipp til omgivelsene i henhold til EU-direktiv 2000/14/EF og New South Wales-forskriften «Protection of the Environment Operations (Noise Control) Regulation 2017». Du finner informasjon om støyutslipp på maskinetiketten og i *Tekniske data på side 126*.



Dette produktet samsvarer med gjeldende EF-direktiver.

yyyywwxxxx

Typeskiltet eller laseravtrykket viser serienummeret. **yyyy** er produksjonsåret, og **ww** er produksjonsuken.

**Merk:** Øvrige symboler/klistremerker angitt på produktet gjelder sertifiseringskrav for andre markeder.

## Produktansvar

Som nevnt i lovverket om produktansvar er vi ikke ansvarlig for skader som produktet vårt forårsaker, i følgende tilfeller:

- Produktet er reparert på feil måte.
- Produktet er reparert med deler som ikke kommer fra produsenten eller som ikke er godkjent av produsenten.
- Produktet har et tilbehør som ikke kommer fra produsenten eller som ikke er godkjent av produsenten.
- Produktet er ikke reparert på et godkjent servicesenter eller av en godkjent aktør.

## Euro V-utslipp



**ADVARSEL:** Tukling med motoren opphever EU-type-godkjenningen til dette produktet.

## Sikkerhet

### Sikkerhetsdefinisjoner

Definisjonene nedenfor angir alvorlighetsgraden for hvert signalord.



**ADVARSEL:** Skade på personer.



**OBS:** Skade på produktet.

**Merk:** Denne informasjonen gjør produktet lettere å bruke.

## Generelle sikkerhetsinstruksjoner



**ADVARSEL:** Les de følgende advarelinstruksjonene før du bruker produktet.

- Dette produktet danner et elektromagnetisk felt når det er i bruk. Dette feltet kan under visse forhold forstyrre aktive eller passive medisinske implantater. For å redusere faren for hendelser som kan føre til alvorlig eller livstruende skade, anbefaler vi at personer med medisinske implantater rådfører seg med lege og produsenten av det medisinske implantatet før dette produktet tas i bruk.
- Ikke bruk produktet dersom du er trett eller syk eller under påvirkning av alkohol, andre rusmidler eller medisiner. Disse tingene har en negativ effekt på synet, vurderingsevnen og dømmekraften din.
- Ikke bruk produktet i dårlig vær, som tett tåke, kraftig regn, sterk vind og kraftig kulde. Hvis du bruker produktet i dårlig vær, kan du bli sliten og utsette deg selv for risiko, som en isete bakke eller en uforutsigbar fallretning.
- Vær alltid forsiktig, og bruk sunn fornuft. Hvis du er usikker på en arbeidssituasjon eller på bruken etter at du har lest bruksanvisningen, kan du kontakte en serviceforhandler før du fortsetter.
- Fjern tennpluggen hvis du legger produktet utenfor syne.

## Sikkerhetsinstruksjoner for montering



**ADVARSEL:** Les de følgende advarelinstruksjonene før du bruker produktet.

- Bruk godkjente vernehansker når du monterer produktet og skjæreutstyret.
- Fjern tennpluggen fra tennpluggen før du monterer produktet.
- Kontroller at riktig styrearm og beskyttelse for skjæreutstyr er montert før du bruker produktet.
- En beskyttelse for skjæreutstyr med feil eller mangler kan forårsake skade. Skjæreutstyr må ikke brukes uten at godkjent beskyttelse er montert.
- Fest koblingsdekslet og rigrørret riktig før du starter produktet.
- Medbringerhjulet og støtfejlensen må monteres riktig i senterhullet til skjæreutstyret. Skjæreutstyr som er festet feil, kan forårsake skade eller død.

- Fest selen til produktet for å unngå skade på brukeren eller andre.

## Sikkerhetsinstruksjoner for drift



**ADVARSEL:** Les de følgende advarelinstruksjonene før du bruker produktet.

- Lær og forstå forskjellen mellom skogsrydding, gressrydding og gressstrimming før du bruker produktet.
- Bruk personlig verneutstyr. Se *Personlig verneutstyr på side 108*.
- Langvarig eksponering for støy kan gi varig hørselstap. Bruk alltid godkjent hørselsvern.
- Lytt etter varsel signaler og høye stemmer når du bruker hørselsvern. Ta alltid av hørselsvernet når motoren stopper.
- Bruk aldri produktet hvis det har blitt endret eller har gått i stykker.
- Påse at tennpluggen og tenningskabelen ikke er skadet for å forebygge risiko for elektrisk støt.
- Kontroller arbeidsområdet for å forsikre deg om at ingen personer, dyr eller objekter har en negativ innvirkning på produktets brukssikkerhet.
- Kontroller arbeidsområdet for å forsikre deg om at ingen personer eller dyr berører skjæreutstyret eller kan bli truffet av gjenstander som slynges opp fra skjæreutstyret.
- Ikke bruk produktet i en situasjon eller på et sted der du ikke kan få hjelp hvis det skulle oppstå en ulykke.
- Ikke bruk produktet uten godkjent beskyttelse for skjæreutstyret.
- Kontroller at personer eller dyr er minst 15 meter / 50 fot unna når du arbeider. Se alltid bak deg før du snur deg rundt med produktet. Produktet må stanses øyeblikkelig hvis en person eller et dyr går innenfor sikkerhetssonen på 15 meter / 50 fot. Hvis mer enn én bruker jobber i samme område, må du holde en sikkerhetsavstand på minst to ganger trehøyden og minst 15 meter / 50 fot.
- Undersøk arbeidsområdet. Unngå løse gjenstander som steiner, glasskår, spikre, ståltråd og snorer som kan slynges ut eller vikle seg rundt skjæreutstyret.
- Sørg for at du kan bevege deg trygt og stå i en sikker arbeidsstilling. Undersøk området rundt deg,

og se etter hindringer som røtter, steiner, grener og grøfter. Vær forsiktig når du arbeider i skråninger.



- Ikke strekk deg for langt. Hold bena godt plantet på jorden og vær i god balanse til enhver tid.
- Før du starter produktet, må du sette det på et flatt underlag, minst 3 meter / 10 fot unna drivstoffkilden og stedet der du fyller på drivstoff. Kontroller at det ikke ligger løse gjenstander i nærheten av eller i kontakt med skjæreutstyret.
- Hvis skjæreutstyret roterer på tomgang, må du få et serviceverksted til å justere det. Ikke bruk produktet før det er justert eller reparert.
- Se opp for gjenstander som slynges ut. Bruk alltid godkjent øyevern, og hold deg unna vernet for skjæreutstyret. Steiner og andre små gjenstander kan kastes inn i øynene og forårsake blindhet eller andre skader.
- Ikke sett produktet ned med motoren i gang med mindre du har det under oppsikt.
- Ikke fjern avklippet materiale, eller la andre personer fjerne dette, mens motoren er slått på eller skjæreutstyret roterer, ettersom dette kan føre til alvorlige skader.
- Slå alltid av motoren og kontroller at skjæreutstyret ikke roterer før du fjerner materiale som har viklet seg rundt klingeakselen eller festet seg mellom beskyttelsen for skjæreutstyret og skjæreutstyret.
- Vær forsiktig når du fjerner materiale fra rundt skjæreutstyret. Vinkelgiret blir varmt under drift og kan forårsake brannskader.
- Motorens avgasser er varme og kan inneholde gnister. Brannfare. Vær forsiktig rundt tørt og brennbart materiale.
- Bruk aldri produktet innendørs eller på steder uten tilstrekkelig ventilasjon. Eksosgasser inneholder karbonmonoksid, en luktfri, giftig og svært farlig gass.
- Slå av motoren før du flytter deg til et nytt arbeidsområde. Fest alltid transportbeskyttelsen før du flytter utstyret.
- Overeksponering for vibrasjoner kan føre til blodkar- eller nerveskader hos personer som har dårlig blodsirkulasjon. Oppsøk lege hvis du opplever fysiske symptomer som kan relateres til overeksponering for vibrasjoner. Eksempel på slike symptomer er dovnang, manglende følelse, «kiling»,

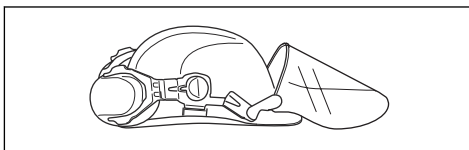
«stikk», smerte, manglende eller redusert styrke, forandringer i hudens farge eller overflate. Disse symptomene opptrer vanligvis i fingre, hender eller håndledd. Risikoen kan øke ved lave temperaturer.

## Personlig verneutstyr

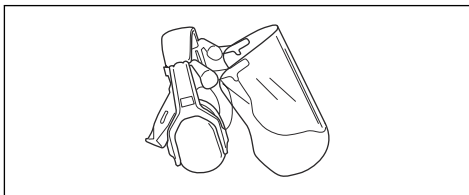


**ADVARSEL:** Les de følgende advarselinstruksjonene før du bruker produktet.

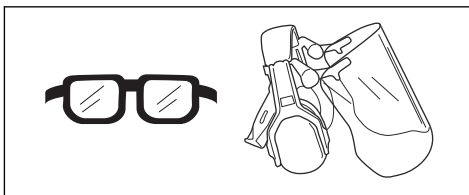
- Benytt alltid godkjent verneutstyr når du bruker produktet. Verneutstyr kan aldri fullstendig forhindre skade, men det reduserer skadeomfanget hvis ulykken inntreffer. Spør forhandleren din om hjelp til å velge riktig utstyr.
- Bruk hjelm hvis trærne i arbeidsområdet har en høyde på mer enn 2 meter / 6,5 fot.



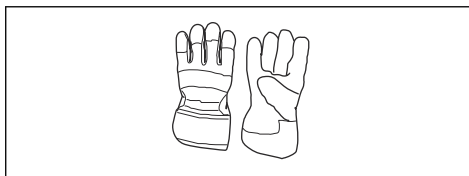
- Bruk godkjent hørselsvern.



- Bruk godkjent øyevern. Ved bruk av visir skal det også brukes godkjente vernebriller. Godkjente vernebriller er slike som tilfredsstillende standard ANSI Z87.1 for USA eller EN 166 for EU-land.



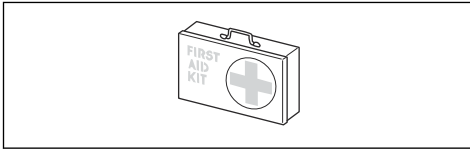
- Bruk hansker når det er nødvendig, for eksempel når du fester, undersøker eller rengjør skjæreutstyret.



- Bruk vernestøvler med ståltå og sklisikre såler.



- Bruk klær av et slitesterkt materiale. Bruk alltid tykke langbukser og lange ermer. Unngå bruk av altfor vide klær som lett henger seg fast i kvister og grener. Ikke bruk smykker, korte bukser eller sandaler. Ikke gå med bare føtter. Sett håret opp over skuldernivå.
- Ha førstehjelpsutstyr i nærheten.



### Sikkerhetsutstyr på produktet

Se *Vern for skjæreutstyr på side 110* for informasjon om hvor du finner sikkerhetsutstyr.



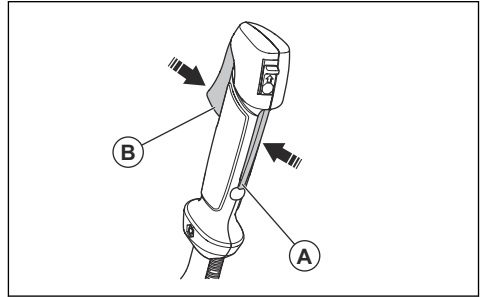
**ADVARSEL:** Les de følgende advarslene før du bruker produktet.

- Ikke bruk produktet dersom sikkerhetsutstyret er defekt. Utfør en kontroll av og utfør vedlikehold på sikkerhetsutstyr regelmessig. Ta kontakt med ditt McCulloch-serviceverksted, dersom sikkerhetsutstyret er defekt.
- Ikke foreta endringer på sikkerhetsutstyret. Ikke bruk produktet hvis beskyttelsesdeksler, sikkerhetsbrytere eller andre sikkerhetsinnretninger ikke er festet eller er defekte.
- Alle som skal utføre vedlikehold og reparasjon av produktet, spesielt på sikkerhetsutstyret, må gjennomføre spesialopplæring. Hvis sikkerhetsutstyret ikke består sjekkene i denne bruksanvisningen, må du få hjelp av et serviceverksted. Vi garanterer at profesjonell reparasjon og service er tilgjengelig for deg. Hvis forhandleren ikke er et serviceverksted, må du snakke med dem for å få informasjon om nærmeste serviceverksted.
- Ikke bruk skjæreutstyr uten et godkjent og korrekt festet vern. Se *Tekniske data på side 126*.

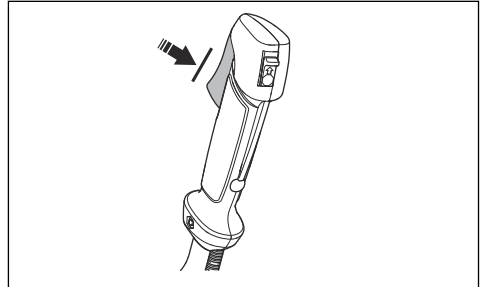
### Slik kontrollerer du gassregulatorsperren

Gassregulatorsperren er konstruert for å hindre at gassregulatoren aktiveres ufrivillig.

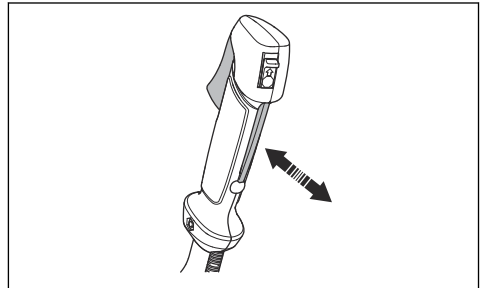
1. Trykk på gassregulatorsperren (A) og kontroller at gassregulatoren slippes (B). Når grepet rundt håndtaket slippes, tilbakestilles både gassregulatoren og gassregulatorsperren til sin opprinnelige posisjon. Dette skjer via to retur fjærsystemer. Denne posisjonen innebærer at gassregulatoren automatisk låses på tomgang.



2. Kontroller at gassregulatoren er låst i tomgangsstilling når gassregulatorsperren slippes.

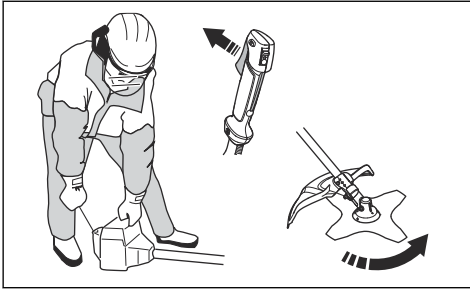


3. Trykk på gassregulatorsperren, og kontroller at den går tilbake til startposisjonen sin når du slipper den.



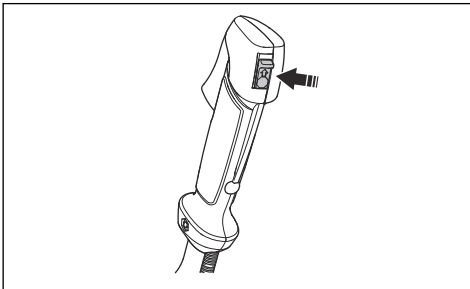
4. Kontroller at gassregulatoren og gassregulatorsperren går lett og at retur fjærsystemet fungerer.
5. Start produktet (se instruksjonene under *Starte og stoppe på side 118*), og gi full gass.

6. Slipp gassregulatoren, og kontroller at skjæreutstyret stanser og at det blir stående stille. Juster forgasseren hvis skjæreutstyret beveger seg med gassregulatoren i tomgangsstilling. Se instruksjonene i kapittelet *Slik justerer du tomgangsturtallet på side 124.*



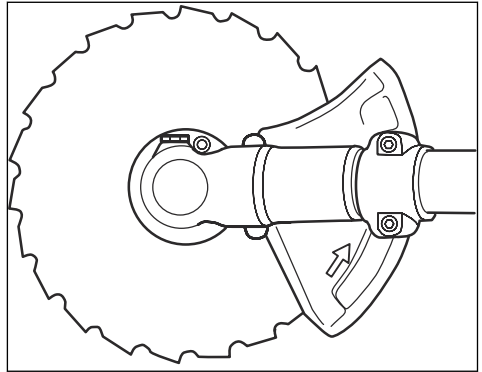
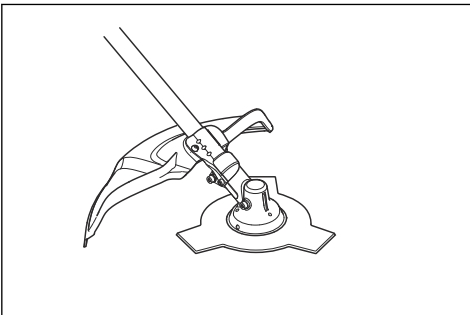
### Slik kontrollerer du stoppbryteren

1. Start motoren.
2. Flytt stoppbryteren til stoppstillingen, og sjekk at motoren stopper.



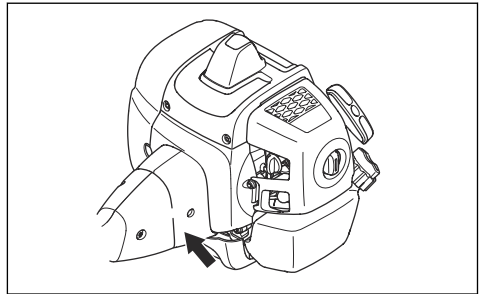
### Vern for skjæreutstyr

Beskyttelsesskjermen for skjæreutstyret hindrer at løse objekter kastes ut mot brukeren. Kontroller beskyttelsesskjermen for skjæreutstyret for skade, og skift den hvis den er skadet. Bruk bare godkjent beskyttelsesskjerm for skjæreutstyr.



### Slik kontrollerer du avvibreringssystemet

Avvibreringssystemet reduserer vibrasjonen i håndtakene til et minimumsnivå. Dette gjør bruken enklere.



1. Stopp motoren.
2. Utfør en visuell sjekk etter deformeringer og skader, for eksempel sprekker.
3. Sørg for at elementene i avvibreringssystemet er festet på riktig måte.

### Slik kontrollerer du hurtigtøsermekanismen

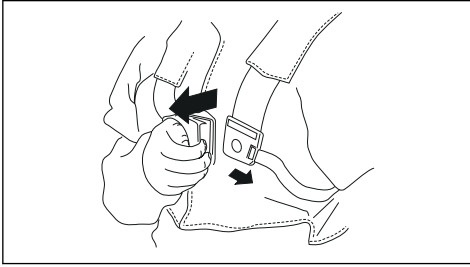


**ADVARSEL:** Ikke bruk en sele med en hurtigtøsermekanisme det er feil på.

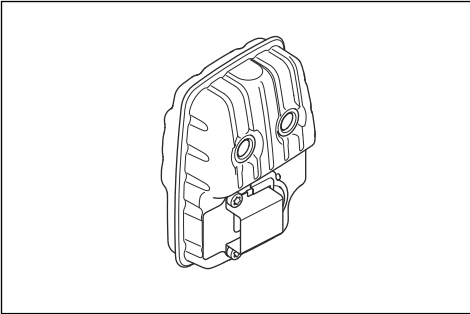
Hurtigtøsermekanismen gjør brukeren i stand til å fjerne produktet raskt fra selen dersom det skulle oppstå en nødssituasjon.

1. Stopp motoren.
2. Utfør en visuell sjekk etter skader, for eksempel sprekker.

3. Slipp og fest hurtigtutløsermekanismen for kontrollere at den fungerer som den skal.



### Lyddemper



- Ikke bruk en motor med defekt lyddemper. En defekt lyddemper øker lydnivået og brannfaren. Ha et brannslukningsapparat i nærheten.
- Kontroller regelmessig at lyddemperen er koblet til produktet.
- Ikke berør motoren eller lyddemperen når motoren er på. Ikke berør motoren eller lyddemperen på en stund etter at motoren har stoppet. Varme overflater kan forårsake personskade.
- En varm lyddemper kan forårsake brann. Vær forsiktig hvis du bruker produktet i nærheten av brennbare vesker eller damp.
- Ikke berør delene i lyddemperen hvis lyddemperen er skadet. Delene kan inneholde noen kreftframkallende kjemikalier.
- Rengjør gnistfangeren med jevne mellomrom hvis produktet har gnistfanger.

### Slik fester og fjerner du låsemutteren

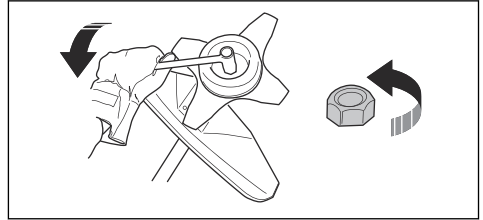


**ADVARSEL:** Slå av motoren, bruk vernehansker, og vær forsiktig rundt de skarpe kantene på skjæreutstyret.

En låsemutter brukes til å feste visse typer skjæreutstyr. Låsemutteren er venstregjengret.

- Ved montering trekker du til låsemutteren mot skjæreutstyrets rotasjonsretning.

- Ved demontering løsner du låsemutteren i skjæreutstyrets rotasjonsretning.
- Bruk en tennpluggnøkkel med langt håndtak for å løsne og trekke til låsemutteren. Pilen på bildet viser området der du trykt kan bruke tennpluggnøkkelen.



**ADVARSEL:** Når du løsner og trekker til låsemutteren, finnes det en risiko for skade fra klingene. Du må alltid sørge for at klingebeskyttelsen forhindrer skade på hånden din når du gjør dette.

**Merk:** Kontroller at du ikke kan vri på låsemutteren for hånd. Bytt ut mutteren dersom nylonbelegget ikke har en motstand på minst 1,5 Nm. Låsemutteren må skiftes etter at den har vært skrudd på ca. 10 ganger.

### Skjæreutstyr

Velg og vedlikehold skjæreutstyret for å gjøre følgende:

- Oppnå maksimal skjærekapasitet.
- Øke levetiden på skjæreutstyret.
- Følge kontroll-, vedlikeholds- og serviceinstruksjonene for lyddemperen.
- Bruk alltid anbefalt beskyttelsesskjerm for skjæreutstyret. Se Tekniske data.



**ADVARSEL:** Bruk bare skjæreutstyr sammen med den skjermen vi anbefaler! Se kapitlet Tekniske data. Følg skjæreutstyrets anvisninger for korrekt montering av trimmertråd og valg av riktig trimmertråddiameter.



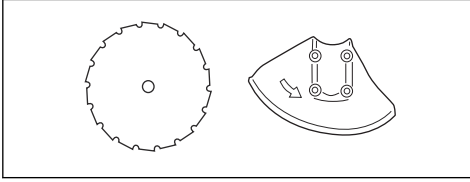
**ADVARSEL:** Feilaktig skjæreutstyr kan øke risikoen for ulykker.



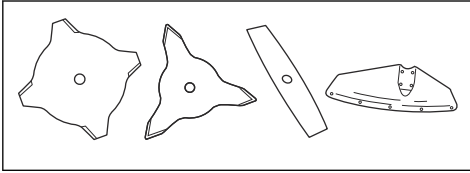
**ADVARSEL:** Stans alltid motoren før du foretar arbeid på skjæreutstyret. Dette fortsetter å rotere også etter at gassregulatoren er sluppet. Kontroller at skjæreutstyret har stanset helt, og koble fra tennpluggkabelen før du begynner noe arbeid på det.

## Klippeutstyr

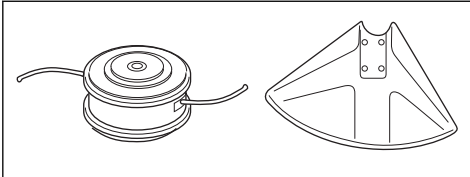
- Bruk sagklingen for å klippe fiberaktige vedtyper.



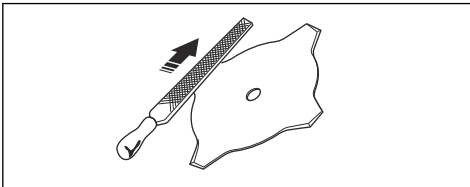
- Bruk klingene og gressknivene for å klippe grovt gress.



- Bruk trimmerhodet for å klippe gress.



- En klinge som er filt feil eller skadd øker risikoen for ulykker. Hold bladtennene godt og korrekt filt. Følg instruksjonene i *File gresskniv og gressklinge på side 112*, og bruk anbefalt filmal.

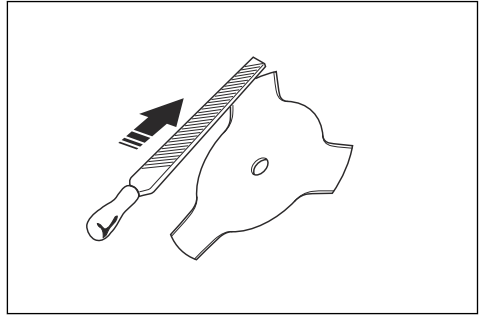


- Undersøk skjæreutstyret for skader og sprekker. Bytt ut skjæreutstyr som er skadet.
- Bruk bare skjæreutstyr sammen med anbefalt beskyttelse. Se *Tekniske data på side 126*.

## Klinger

- Bruk produktet sammen med en godkjent klinge. Ikke bruk en klinge uten at alle de nødvendige delene er riktig installert. Kontroller at installasjonen er gjort riktig, og at riktige deler brukes. Uriktig installasjon kan føre til at klingene bli slynget ut og forårsaker alvorlige skader på brukeren eller tilskuere.
- Bruk vernehansker når du håndterer klingene eller utfører vedlikehold.
- Bruk hørselsvern når du betjener et produkt med en klinge.

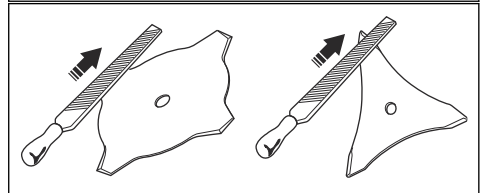
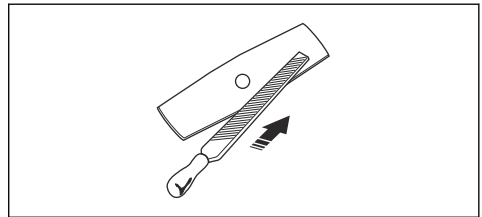
- En klinge kan forårsake personskader mens den roterer etter at motoren er stanset eller gassregulatoren slippes. Kontroller at klingene har sluttet helt å rotere før du utfører vedlikehold.
- Stans motoren før du foretar arbeid på skjæreutstyret. Pass på at skjæreutstyret stopper helt. Koble kabelen fra tennpluggen.
- Hold klingens tenner godt og korrekt filt.



- Ikke bruk skadet skjæreutstyr.
- Fest transportbeskyttelsen på klingene når du transporterer eller oppbevarer produktet.

## File gresskniv og gressklinge

- Fil alle eggene av gressknivene og -klingene like mye for å beholde balansen. Bruk en enkelgradet flatfil.



## Slik sliper du sagklingen

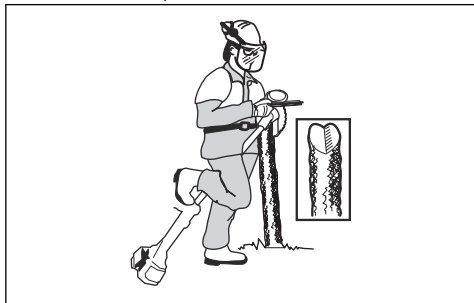


**ADVARSEL:** Stopp motoren. Bruk vernehansker.

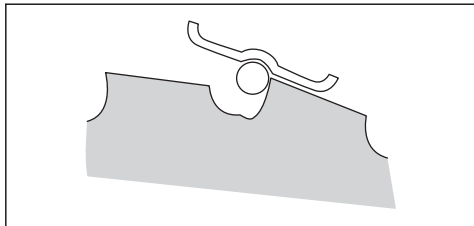
- Les instruksjonene som fulgte med klingene, for å slippe dem på riktig måte.



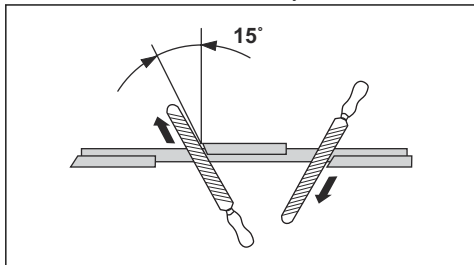
- Kontroller at produktet og klingen har tilstrekkelig støtte når du sliper den.



- Bruk en 5,5 mm rundfil sammen med filholder.

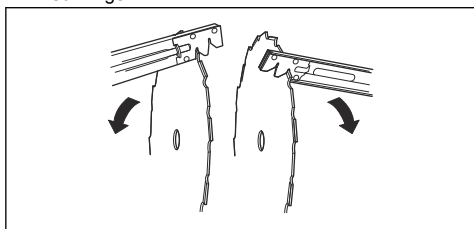


- Hold fila i en vinkel på 15 grader.
- Slip én tann på sagklingen mot høyre og den neste tannen mot venstre, se illustrasjonen.



**Merk:** Slip kantene på tennene med en flat fil hvis klingene er svært slitt. Fortsett å slippe med en rundfil.

- Slip alle kantene like mye for å holde klingene balansert.
- Juster klingeinstillingen til 1 mm med anbefalt innstillingsverktøy. Les instruksjonene som fulgte med klingene.

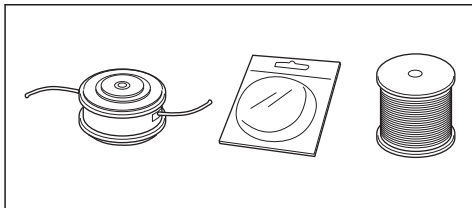


**ADVARSEL:** Kast alltid en klinge som har blitt skadet. Ikke forsøk å rette opp en bøyd klinge og bruke den på nytt.

#### Trimmerhode



**ADVARSEL:** Pass alltid på at trimmertråden vikles hardt og jevnt rundt trommelen, slik at skadelige vibrasjoner forhindres.



- Bruk bare anbefalte trimmerhoder og trimmertråder.
- Bruk bare anbefalt skjærestyr.
- En mindre maskin krever små trimmerhoder og omvendt.
- Trimmertrådens lengde er viktig. En lengre trimmertråd krever større motorstyrke enn en kort trimmertråd med samme diameter.
- Se etter at kniven som sitter på trimmerskjermen er intakt. Dette kutter trimmertråden til riktig lengde.
- Bløtlegg trimmertråden i vann i et par dager før bruk. Dette øker levetiden.

#### Brennstoffsikkerhet

- Ikke start produktet hvis det er drivstoff eller motorolje på produktet. Fjern uønsket drivstoff/olje, og la produktet tørke. Fjern uønsket drivstoff fra produktet.
- Skift klær umiddelbart hvis du søler drivstoff på klærne.
- Ikke få drivstoff på kroppen, det kan føre til personskade. Bruk såpe og vann for å fjerne drivstoff hvis du får drivstoff på kroppen.
- Ikke start motoren hvis du søler olje eller drivstoff på produktet eller på kroppen din.
- Ikke start produktet hvis motoren lekker. Kontroller motoren for lekkasjer med jevne mellomrom.
- Vær forsiktig med drivstoff. Drivstoff er brannfarlig, og avgassene er eksplosive og kan forårsake personskade eller død.
- Ikke pust inn bensindamp, det kan føre til personskade. Pass på at det er tilstrekkelig luftstrøm.
- Du må ikke røyke i nærheten av drivstoff eller motoren.
- Ikke sett varme gjenstander i nærheten av drivstoff eller motoren.
- Ikke fyll på drivstoff når motoren er på.

- Kontroller at motoren er avkjølt før du fyller på drivstoff.
- Åpne tanklokket sakte og slipp ut trykket forsiktig før du fyller.
- Ikke fyll drivstoff på motoren innendørs. Utilstrekkelig luftstrøm kan føre til personskade eller død på grunn av kveling eller karbonmonoksidforgiftning.
- Trekk til lokket på drivstofftanken forsiktig. Brann kan oppstå hvis du ikke gjør dette.
- Flytt produktet minst 3 m fra stedet du fylte tanken før du starter det.
- Ikke fyll for mye drivstoff på tanken.
- Kontroller at det ikke oppstår lekkasjer når du flytter produktet eller bensinkannen.
- Ikke plasser produktet eller en drivstoffbeholder i nærheten av åpen flamme, gnister eller pilotflamme.

- Pass på at det ikke er åpen flamme i oppbevaringsområdet.
- Bruk bare godkjente beholdere når du flytter drivstoff eller setter drivstoff til oppbevaring.
- Tøm drivstofftanken før lengre tids oppbevaring. Følg lokale lover om hvor du kan kassere drivstoff.
- Rengjør produktet før lengre tids oppbevaring.
- Fjern tennpluggkabelen før du setter produktet til oppbevaring for å sikre at motoren ikke starter ved et uhell.

## Sikkerhetsinstruksjoner for vedlikehold

- Hvis du ikke kan justere tomgangsturtallet slik at skjæreutstyret stopper, må du kontakte servicesenteret ditt. Ikke bruk produktet før det er riktig justert eller reparert.

## Montering



**ADVARSEL:** Les kapittelet om sikkerhet før du monterer produktet.

### Innledning



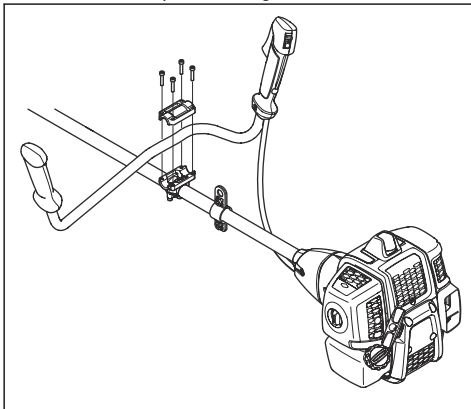
**ADVARSEL:** Før du monterer produktet, må du lese og forstå kapittelet om sikkerhet.



**ADVARSEL:** Fjern tennpluggkabelen fra tennpluggen før du monterer produktet.

### Slik installerer du håndtaket

1. Fest håndtaket på monteringsbraketten som vist.



### Installere gressklinger og trimmerhoder



**ADVARSEL:** Bruk bare godkjent beskyttelse for knivene. Se *Tekniske data på side 126*. En beskyttelse med feil kan forårsake skade.

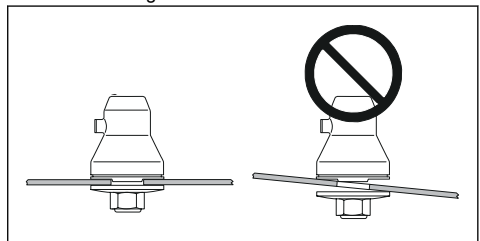


**ADVARSEL:** Hvis du bruker produktet med en gressklinge, installerer du først korrekt styre, bladbeskyttelse og sele.



**ADVARSEL:** Hvis du ikke installerer klingene riktig, kan det føre til skade.

1. Kontroller at den løftede delen på medbringerhjulet/støtteflensen havner riktig i hullet i midten av klingene.
2. Installere klingene.



### Slik installerer du bladbeskyttelsen, gressklingen og gresskniven

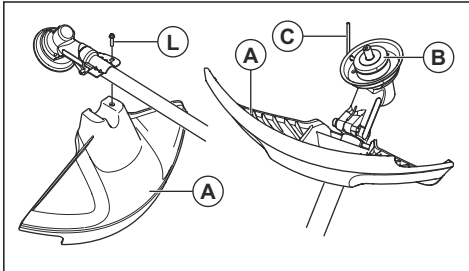


**OBS:** Bruk bare godkjent beskyttelse for klingene. Se bruksanvisningen.

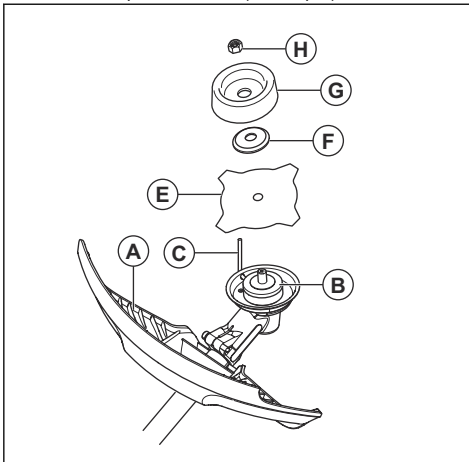


**OBS:** Kontroller at beskyttelsesforlengeren er fjernet.

1. Fest bladbeskyttelsen / beskyttelsesskjermen for skjæreutstyr (A) på riggrøret, og trekk til med bolten (L).



2. Installer medbringerhjulet (B) på den utgående akselen.
3. Vri den utgående akselen rundt til et av hullene i medbringerhjulet stemmer overens med det tilsvarende hull i girhuset.
4. Sett låsepinnen (C) inn i hullet slik at riggrøret låses.
5. Plasser gressklingen (E), støtteflensen (F) og støttekoppen (G) på den utgående akselen.
6. Monter mutteren (H). Hold skrunøkkelens håndtak så nære klingebeskyttelsen som mulig. For å trekke til mutteren må du vri skrunøkkelens i motsatt retning av rotasjonsretningen. Mutteren skal trekkes til med et moment på 35–50 Nm (3,5–5 kpm).

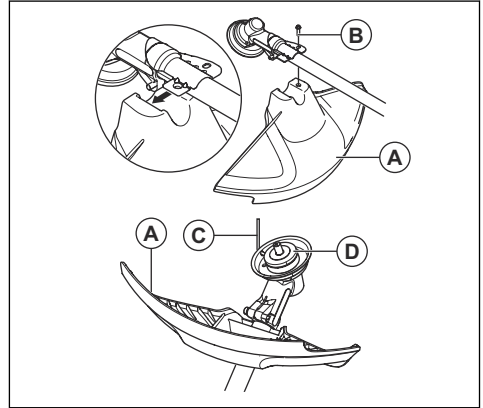


**Merk:** venstregjenget

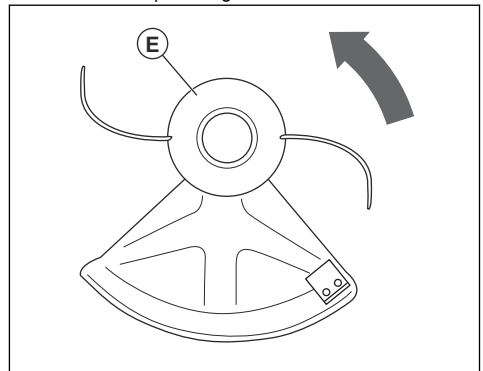
## Slik festes trimmerskjermen og trimmerhodet

**Merk:** Kontroller at du bruker riktig trimmerskjerm for riktig trimmerhode.

1. Fest riktig trimmerskjerm/kombinasjonsvern (A) til trimmerhodet.
2. Monter trimmerskjermen/kombinasjonsvernet rundt akselen, og stram til med bolten (B). Bruk låsepinnen eller unbrakonøkkelen (C).



3. Sett låsepinnen eller unbrakonøkkelen (C) i sporet på skruhodet, og stram til.
4. Fest medbringerhjulet (D) på den utgående akselen.
5. Vri den utgående akselen rundt til ett av hullene i medbringerhjulet stemmer overens med tilsvarende hull i girhuset.
6. Sett låsepinnen eller unbrakonøkkelen (C) inn i hullet, slik at akselen låses.
7. Monter trimmerhodet/plastklingene (E). Vri trimmerhodet/plastklingene mot klokken.



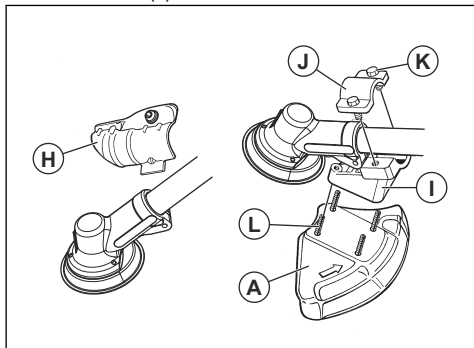
8. Ved demontering følger du instruksjonene i motsatt rekkefølge.

## Slik monterer du bladbeskyttelse og sagklingen

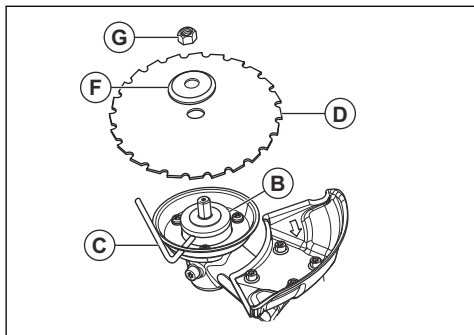


**OBS:** Bruk bare godkjent beskyttelse for klingene. Se *Tekniske data* på side 126.

1. Demonter festeplaten (H).
2. Monter adapteren (I) og beslaget (J) med de to skruene (K).
3. Monter klingebeskyttelsen (A) mot adapteren med de 4 skruene (L).

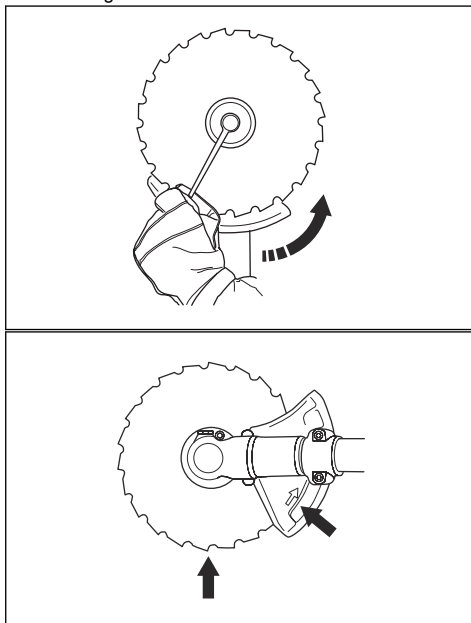


4. Installer medbringerhjulet (B) på den utgående akselen.
5. Vri rundt klingeakselen til ett av hullene i medbringeren stemmer overens med tilsvarende hull i girhuset.
6. Før låsepinnen (C) inn i hullet slik at akselen låses.
7. Plasser klingens (D) og støtteflens (F) på den utgående akselen.
8. Sett på mutteren (G). Mutteren trekkes til med et moment på 35–50 Nm (3,5–5 kpm). Bruk pipenøkkelen i verktøysettet. Hold i nøkkelens skaft så nær bladbeskyttelsen som mulig. Mutteren trekkes til når nøkkelen føres mot.



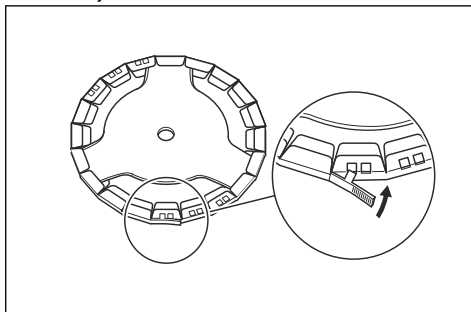
**Merk:** venstregjengret

9. Både når man løsner og når man trekker til mutterne på sagbladet er risikoen til stede at man skader seg på bladets tenner. Sørg derfor for at hånden alltid dekkes av bladbeskyttelsen. Bruk alltid en pipenøkkel med tilstrekkelig langt skaft for å gjøre dette mulig. Pilen på bildet viser innenfor hvilket område pipenøkkelen skal brukes ved løsning/tiltrekking.



## Slik fester du transportbeskyttelsen

1. Fest transportbeskyttelsen på klingens som vist i illustrasjonen.



## Slik justerer du selen



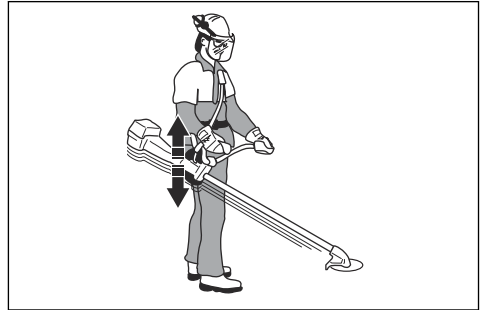
**ADVARSEL:** Produktet må alltid være riktig festet til selen. Hvis det ikke er gjort, kan du ikke kontrollere produktet på en trygg måte, og dette kan føre til skader på deg

eller andre. Ikke bruk en defekt sele. Ikke bruk en sele med feil på hurtigutløseren.

1. Ta på deg selen.
2. Fest produktet til selen.
3. Juster selen for beste arbeidsstilling.
4. Juster sidestroppene slik at produktets vekt er jevnt fordelt mellom skuldrene dine.



5. Juster selen slik at skjærestyret er parallelt med bakken.



6. La skjærestyret hvile lett mot bakken. Juster seleklemmen for å balansere produktet riktig.

**Merk:** Hvis du bruker en gressklinge, må den være i balanse ca. 10 cm over bakken.

## Bruk



**ADVARSEL:** Les og forstå kapittelet om sikkerhet før du bruker produktet.



**OBS:** Ikke bruk bensin med et oktantal som er mindre enn 90 RON/ 87 AKI. Bruk av lavere oktantal kan føre til motorbanking, noe som forårsaker motorskader.

## Innledning



**ADVARSEL:** Før du bruker produktet, må du lese og forstå kapittelet om sikkerhet.

### Totaltsolje

- For å få best mulig resultat og ytelse bør du bruke McCulloch-totaltsolje.
- Hvis det ikke er mulig å få tak i McCulloch-totaltsolje, kan du bruke en totaltsolje av høy kvalitet for luftkjølte motorer. Snakk med serviceforhandleren din for å velge riktig olje.

## Drivstoff

Dette produktet har en totaltsmotor.



**OBS:** Feil type drivstoff kan føre til skader på motoren. Bruk en blanding av bensin og totaltsolje.



**OBS:** Bruk ikke totaltsolje beregnet på vannkjølte påhengsmotorer, såkalt outboardoil. Ikke bruk olje for firetaktsmotorer.

## Forhåndsblandet drivstoff

- Bruk McCulloch forhåndsblandet alkylatdrivstoff for å få best mulig ytelse og forlengelse av motorens levetid. Drivstoffet inneholder færre skadelige stoffer sammenlignet med vanlig drivstoff, noe som reduserer skadelige avgasser. Mengden rester etter forbrenning er lavere med dette drivstoffet, noe som holder motoren ren.

## Slik blander du drivstoff

### Bensin

- Bruk kvalitetsbensin av blyfri type med maksimalt 10 prosent etanolinnhold.

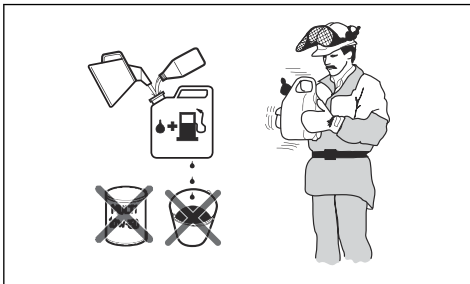
### Blande bensin og totaltsolje

Bensin, liter	Totaltsolje, liter
	<b>2 % (50:1)</b>
5	0,10
10	0,20
15	0,30
20	0,40
<b>US gallon</b>	<b>US fl. oz.</b>

1	2 ½
2 1/2	6 ½
5	12 ¾



**OBS:** Små feil kan påvirke blandingsforholdet drastisk når du blander små mengder drivstoff. Mål oljemengden som skal blandes, svært nøyaktig for å sikre at du får riktig blandingsforhold.



1. Fyll halve drivstoffmengden i en ren beholder for drivstoff.
2. Tilsett all oljen.
3. Rist drivstoffblandingen.
4. Fyll resten av bensinen på beholderen.
5. Rist drivstoffblandingen forsiktig.



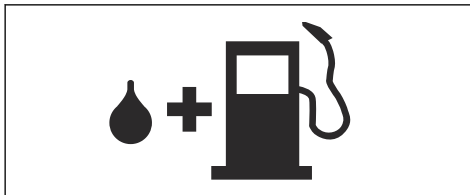
**OBS:** Ikke bland drivstoff for mer enn én måned om gangen.

### Slik fyller du drivstofftanken



**ADVARSEL:** Utfør følgende prosedyren for din egen sikkerhet.

1. Stopp motoren, og la motoren bli avkjølt.
2. Tørk rent rundt drivstofflokket.



3. Rist beholderen, og forsikre deg om at drivstoffet er helt blandet.
4. Åpne drivstofflokket sakte for å slippe ut trykket.
5. Fyll drivstofftanken.



**OBS:** Kontroller at det ikke er for mye drivstoff i drivstofftanken. Drivstoffet utvides når det blir varmt.

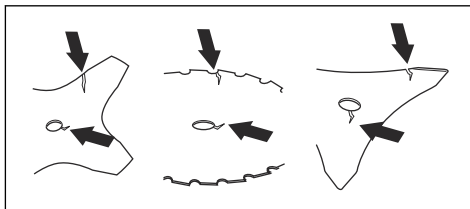
6. Trekk forsiktig til drivstofflokket.
7. Rengjør drivstoffsløp på og rundt produktet.
8. Flytt produktet minst tre meter bort fra drivstoffkilden og stedet der du fylte drivstoff, før du starter motoren.

**Merk:** Hvis du vil finne ut hvor drivstofftanken er på produktet, kan du se *Produktoversikt på side 105*.

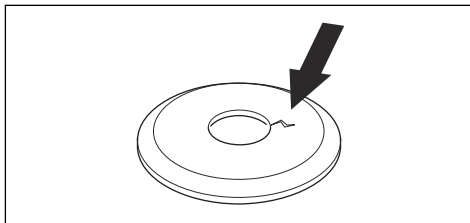
## Starte og stoppe

### Før du bruker produktet

- Undersøk arbeidsområdet for å forsikre deg om at du er klar over hvordan terrenget og hellingen er. Undersøk også om det finnes noen hindringer som steiner, grener eller grøfter i veien.
- Utfør en inspeksjon av produktet.
- Utfør sikkerhetskontrollene, vedlikeholdet og servicen som er angitt i denne bruksanvisningen.
- Kontroller at alle deksler, vern, håndtak og skjæreutstyr er riktig festet og ikke er skadet.
- Kontroller at det ikke er sprekker i bunnen av sagklingen eller gressklingetennene eller på klingens sentrumshull. Bytt klingen hvis den er skadet.

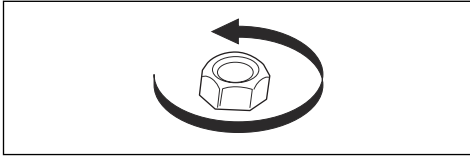


- Undersøk støtteflensen for sprekker. Bytt støtteflensen hvis den er skadet.

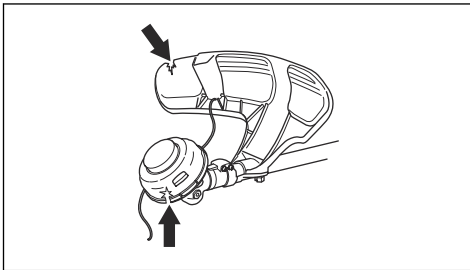


- Kontroller at låsemutteren ikke kan fjernes for hånd. Hvis du kan ta den av for hånd, vil den ikke låse

skjæreutstyret tilstrekkelig, og den må derfor byttes ut.

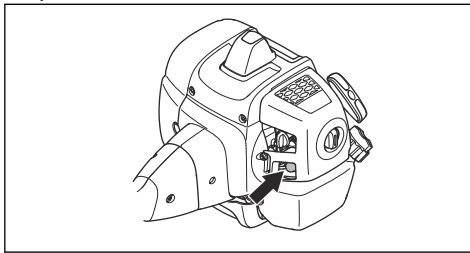


- Undersøk bladbeskyttelsen for skader og sprekker. Bytt bladbeskyttelsen hvis den har blitt truffet, eller hvis den har sprekker.
- Undersøk trimmerhodet og vernet for skjæreutstyret for skader eller sprekker. Bytt trimmerhodet og vernet for skjæreutstyret hvis de har blitt truffet, eller hvis de har sprekker.

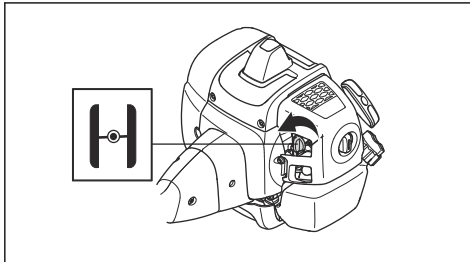


### Slik starter du motoren

1. Plasser produktet på et flatt og stabilt underlag. Hold skjæreutstyret opp fra bakken.
2. Trykk på pumpen gjentatte ganger inntil drivstoffet begynner å fylle blæren. Det er ikke nødvendig å fylle blæren helt.

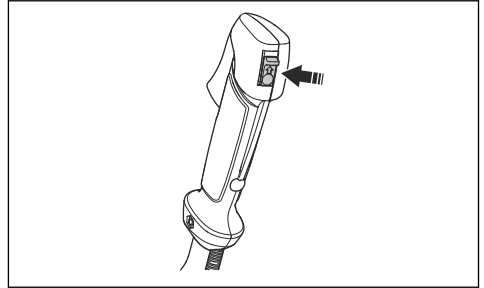


3. Flytt choke-hendelen til choke-stillingen.

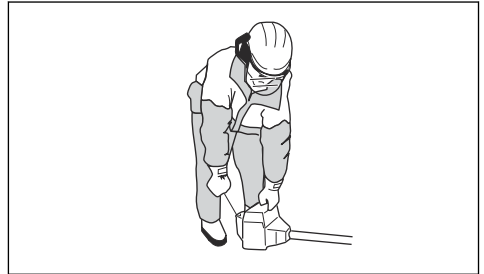


**ADVARSEL:** Skjæreutstyret begynner å rotere umiddelbart når du starter motoren med choken.

4. Sett start/stoppbryteren i startstillingen.



5. Hold produktet på bakken med venstre hånd.



6. Hold i startsnorhåndtaket med høyrehånden.
7. Dra starthåndtaket langsamt ut med høyre hånd til du merker motstand.



**ADVARSEL:** Surr aldri startsnoren rundt hånden.

8. Trekk snoren raskt ut, og bruk kraft. Trekk gjentatte ganger i startsnoren til motoren starter.

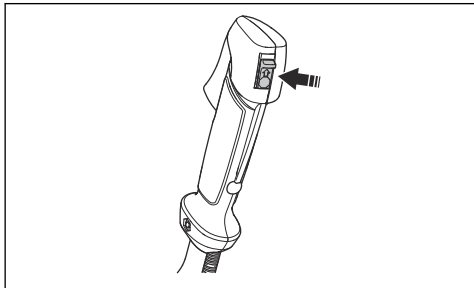


**OBS:** Ikke trekk startsnoren helt ut, og ikke slipp starthåndtaket med startsnoren helt trukket ut. Dette kan skade produktet.

9. Tilbakestill choken når motoren tennes.
10. Bruk gasspaken gradvis når motoren starter.
11. Kontroller at motoren går jevnt, og la motoren varme seg opp i ett til to minutter før bruk.

## Slik stopper du produktet

- Trykk på stoppbryteren for å stoppe motoren.



## Klinge kast

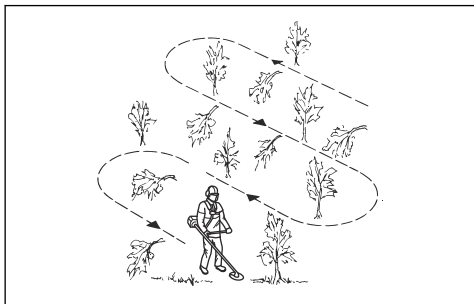
- Et klinge kast er en plutselig bevegelse av produktet til siden, forover eller bakover. Et klinge kast oppstår når gressklingen treffer noe som ikke kan klippes. Risikoen for klinge kast øker i områder der det ikke er lett å se materialet som klippes.
- Når et klinge kast oppstår, er det en fare for at produktet eller brukeren beveger seg ut av stilling. En klinge som beveger seg kan treffe folk i nærheten, og det er en fare for skader.
- Hvis en klinge er bøyd, har sprekker, er skadet eller ødelagt, må du kaste klingen.
- Bruk en skarp klinge. Risikoen for klinge kast øker når en klinge ikke er skarp.

## Generelle arbeidsinstruksjoner



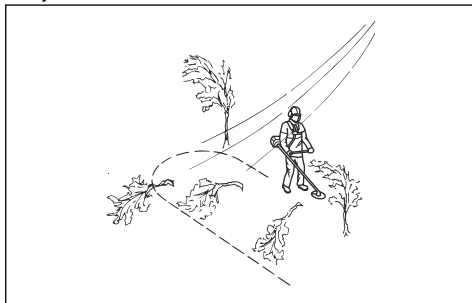
**ADVARSEL:** Vær forsiktig når du beskærer trær som står i hjelpenn. De kan sprette tilbake til sin normalstilling før eller etter beskæringen og treffe deg eller produktet, og føre til skade.

- Rydd en åpen plass i den ene enden av arbeidsområdet, og start arbeidet derfra.
- Beveg deg over arbeidsområdet i et regelmessig mønster.



- Flytt produktet helt til venstre og høyre, for å fjerne en bredde på 4–5 meter for hver sving.

- Rydd en lengde på 75 meter før du vender om og går tilbake. Flytt drivstoffkannen med deg etter hvert som du jobber.
- Beveg deg i en retning der du ikke krysser grøfter og hindringer mer enn nødvendig.
- Beveg deg i en retning der vindforholdene gjør at den klippede vegetasjonen faller i området du har ryddet.



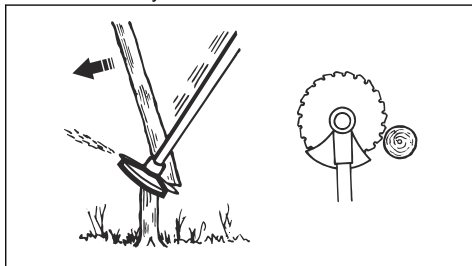
- Flytt deg langs skråninger, ikke opp og ned.

## Skogsrydding med sagklinge

### Slik feller du et tre til venstre

Dytt treets underside mot høyre for å felle det mot venstre.

- Gi full gass.
- Plasser sagklingen mot treet som angitt på bildet.
- Sett sagklingen på skrå, og skyv den med makt diagonalt nedover mot høyre. Dytt samtidig treet med bladbeskyttelsen.



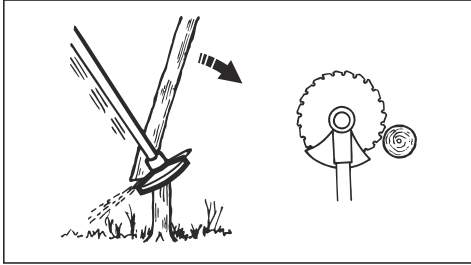
### Slik feller du et tre til høyre

Dytt treets underside mot venstre for å felle det mot høyre.

- Gi full gass.
- Plasser sagklingen mot treet som angitt på bildet.



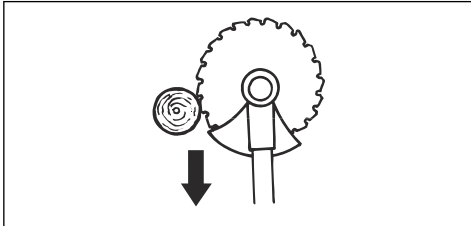
3. Sett sagklingen på skrå, og skyv den med makt diagonalt oppover og til høyre. Dytt samtidig treet med bladbeskyttelsen.



### Slik feller du et tre forover

Dytt trets underside bakover for å felle det forover.

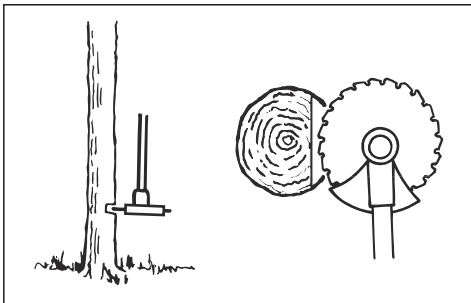
1. Gi full gass.
2. Plasser sagklingen mot treet som angitt på bildet.
3. Trekk sagklingen forover med en rask bevegelse.



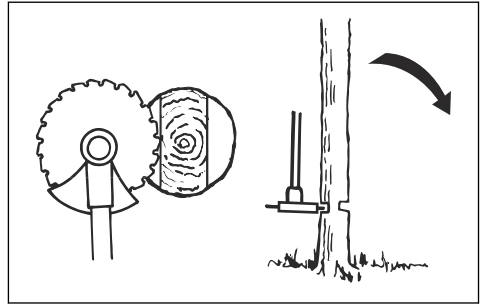
### Slike feller du store trær

Store trær må sages fra to sider.

1. Undersøk i hvilken retning treet kommer til å falle.
2. Gi full gass.
3. Utfør det første snittet på den siden av treet det skal falle mot.



4. Sag gjennom treet fra den andre siden.



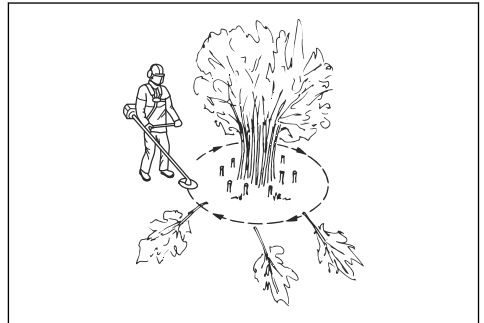
**OBS:** Hvis sagklingen blokkes, må du ikke dra i produktet med en rask bevegelse. Det kan føre til skade på sagklingen, vinkelgiret, riggrøret eller styret. Slipp håndtakene, ta tak i riggrøret med begge hendene og dra produktet langsomt løs.

**Merk:** Bruk mer skjæretrykk for å felle små trær. Bruk mindre skjæretrykk for å felle store trær.

### Buskrydding med sagklinge

Dytt trets underside mot høyre for å felle det mot venstre.

- Skjær ned tynne trær og busker.
- Flytt produktet fra side til side.
- Skjær mange trær i én bevegelse.
- For grupper med tynne trær:



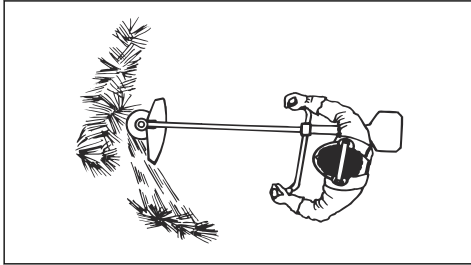
- a) Beskjær de ytre trærne høyt oppe.
- b) Beskjær de ytre trærne til de når riktig høyde.
- c) Beskjær fra midten. Hvis du ikke kommer til i midten, kan du beskjære de ytre trærne høyt oppe og la dem falle ned. Dette reduserer faren for at sagklingen blokkes.

## Gressrydding med gressklinge



**OBS:** Ikke bruk gressklinger og gresskniver på tre. Bruk gressklinger og gresskniver kun på langt eller tungt gress.

- Flytt produktet fra side til side.
- Beveg deg fra høyre til venstre når du klipper. Flytt produktet til høyre før du begynner å klippe igjen.
- Klipp med den venstre siden av gressklingen.

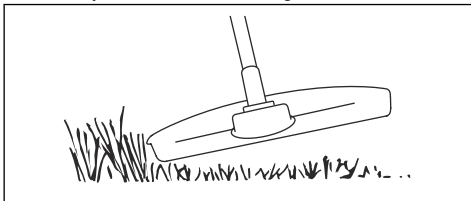


- Vinkle gressklingen til venstre for å få gresset til å falle på linje. Dette gjør det enklere å samle opp gresset.
- Stå i en stabil stilling med føttene fra hverandre.
- Flytt deg forover for hver bevegelse til høyre, og pass på at du står i en stabil stilling før du begynner å klippe igjen.
- Hold støttekoppen med et lett trykk mot bakken for å sikre at gressklingen ikke treffer bakken.
- Følg disse instruksjonene for å redusere faren for at avklippet materiale vikler seg rundt gressklingen:
  - a) Gi full gass.
  - b) Ikke flytt gressklingen gjennom avklippet materiale når du beveger produktet fra venstre til høyre.
- Før du samler opp avklippet materiale, må du slå av motoren og fjerne produktet fra selen. Sett produktet ned på bakken.

## Gresstrimming med trimmerhode

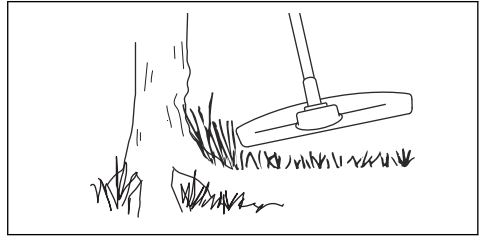
### Trimme gress

1. Hold trimmerhodet like over bakken, og vipp det lett. Ikke skyv trimmertråden ned i gresset.



2. Reduser lengden på trimmertråden med 10–12 cm.
3. Reduser motorens turtall for å redusere faren for å skade planter.

4. Bruk 80 % gass når du klipper gresset i nærheten av objekter.



### Slik rydder du gress

1. Hold trimmerhodet over bakken.
2. Skråstill trimmerhodet.
3. Klipp med enden av trimmertråden rundt objekter i arbeidsområdet.

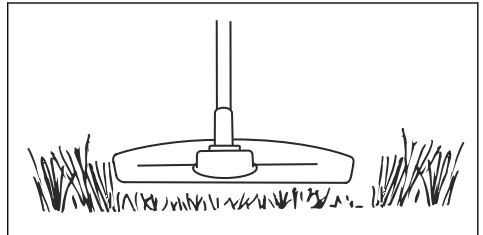


**OBS:** Klipp gress. Hvis trimmertråden treffer andre ting, øker slitasjen på trimmertråden.

4. Bruk 80 % av maksimal hastighet når du klipper og rydder vegetasjon. Dette gir mindre slitasje på trimmerhodet og trimmertråden.

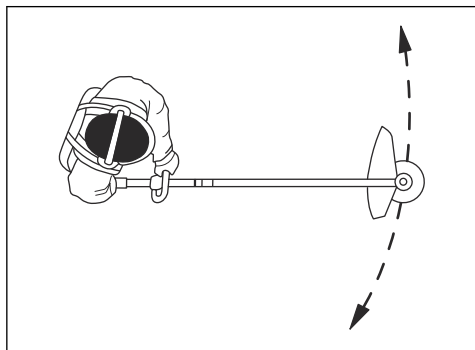
### Slik klipper du gress

1. Sørg for at trimmertråden er parallell med bakken når du klipper gresset.



2. Ikke dytt trimmerhodet ned i bakken. Dette kan skade produktet.

3. Flytt produktet fra side til side når du klipper gresset. Bruk fullt turtall.



## Slik samler du opp gresset

Luftstrømmen fra den roterende trimmertråden kan brukes til å fjerne gress fra et bestemt område.

1. Hold trimmerhodet og trimmertråden parallelt med og over bakken.
2. Gi full gass.
3. Beveg trimmerhodet fra side til side, og samle opp gresset.



**ADVARSEL:** Rengjør trimmerhodets deksel hver gang du monterer en ny trimmertråd for å forhindre ubalanse og vibrasjon i håndtakene. Utfør også en kontroll av de andre delene på trimmerhodet, og rengjør det om nødvendig.

## Vedlikehold

### Innledning



**ADVARSEL:** Les og forstå kapittelet om sikkerhet før du utfører vedlikehold på produktet.

### Vedlikeholdsskjema

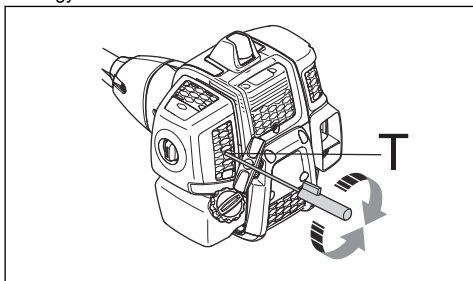
Vedlikehold	Daglig	Ukentlig	Månedlig
Rengjør de utvendige overflatene.	X		
Undersøk selen for skader.	X		
Utfør en kontroll av gassregulatorsperreren og gassregulatoren. Se <i>Slik kontrollerer du gassregulatorsperreren på side 109.</i>	X		
Undersøk håndtaket og styret for skader, og kontroller at de er festet på riktig måte.	X		
Kontroller stoppbryteren. Se <i>Slik kontrollerer du stoppbryteren på side 110.</i>	X		
Kontroller at skjæreutstyret ikke roterer på tomgang.	X		
Rengjør luftfilteret. Skift den ut hvis den er skadet.	X		
Undersøk beskyttelsen for skjæreutstyret for skader og sprekker.	X		
Kontroller at sagklingen eller gressklingen er festet riktig. Kontroller at sagklingen eller gressklingen er skarp og ikke skadet.	X		
Undersøk trimmerhodet for skader og sprekker. Skift den ut hvis den er skadet.	X		
Trekk til låsemutteren helt for skjæreutstyr med en låsemutter.	X		
Undersøk transportbeskyttelsen for skader, og kontroller at den kan festes på riktig måte.	X		
Trekk til muttere og skruer.	X		
Undersøk motoren, drivstofftanken og drivstofflinjene for lekkasjer.	X		

Vedlikehold	Daglig	Ukentlig	Månedlig
Undersøk starteren og startsnoren for skader.		X	
Kontroller tennpluggen. Se <i>Kontrollere tennpluggen på side 126</i> . Skift tennpluggen når det er nødvendig. Påse at tennpluggen har støydemping.		X	
Rengjør utsiden av forgasseren og området rundt den.		X	
Sørg for at vinkelgiret er korrekt fylt med fett. Se <i>Vinkelgir på side 125</i> .		X	
Kontroller at drivstoffilteret ikke er forurenset eller at drivstoffslangen har sprekker eller andre feil. Skift ut om nødvendig.			X
Undersøk alle kabler og forbindelser.			X
Skift tennplugg. Påse at tennpluggen har støydemping.			X

## Slik justerer du tomgangsturtallet

Nålene for høyt og lavt turtall er permanent innstilte og kan ikke justeres. Tomgangsturtallet er den eneste funksjonen som kan justeres.

1. Start motoren, og kontroller at den er varm før du begynner å justere tomgangsturtallet.
2. Vri tomgangsskruen med urviseren til skjæreutstyret begynner å rotere.



3. Vri tomgangsskruen mot urviseren til skjæreutstyret stanser.
4. Tomgangsturtallet må være lavere enn hastigheten når skjæreutstyret begynner å rotere. Tomgangsturtallet er korrekt når motoren går jevnt i alle stillinger.

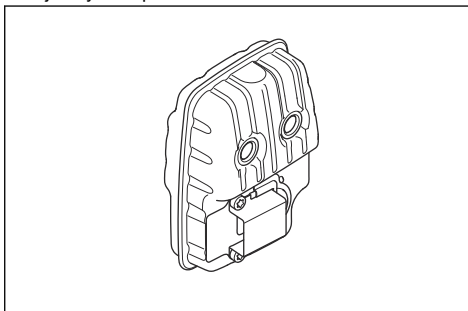
## Slik utfører du vedlikehold på lydtemperen

Lydtemperen demper lydnivået og leder avgassene bort fra brukeren.

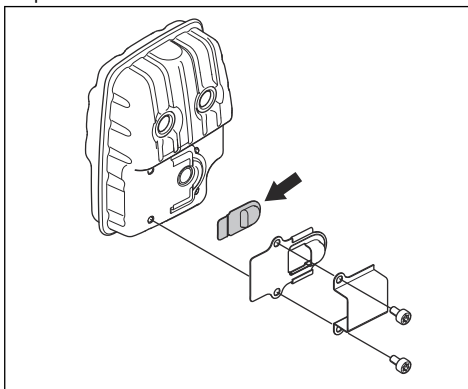


**ADVARSEL:** Lyddempere som har katalysator, blir svært varme under bruk og holder seg varme en stund etter at du slår av produktet. Dette gjelder også ved tomgangskjøring. Hvis du berører produktet, kan dette forårsake brannskader. Vær oppmerksom på brannfare!

1. Slå av produktet, og la det kjøles ned.
2. Fjern lydtemperen.



3. Ta ut skruene som holder gnistfangerskjermen på plass.



4. Rengjør gnistfangerskjermen hvis den er tett, eller bytt den ut hvis den er skadet.



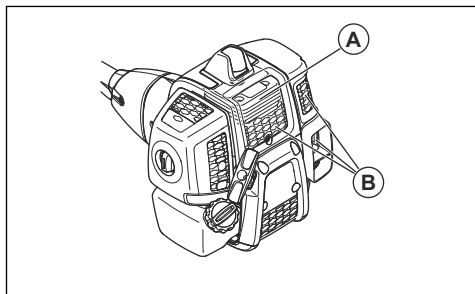
**OBS:** Ved eventuelle skader på gnistfangernettet må det byttes ut. Ikke bruk et produkt hvis gnistfangernettet på lydtemperen mangler eller er defekt.



**OBS:** Hvis gnistfangernettet ofte blir tett, kan dette være et tegn på redusert katalysatorytelse. Kontakt serviceforhandleren for kontroll av lydtemperen. Enheten overoppheves hvis gnistfangernettet er tett, med skader på sylinder og stempel som følge.

## Slik rengjør du / utfører vedlikehold på kjølesystemet

Dette produktet har et kjølesystem. Et tilsmusset eller tett kjølesystem kan føre til at produktet overoppheves, noe som kan forårsake skader på stempelet og sylinderen. Kontroller og rengjør kjølesystemet med en børste ukentlig, eller oftere ved krevende forhold. Kjølesystemet har kjøleflenser på sylinderen (A) og luftinntaket (B).



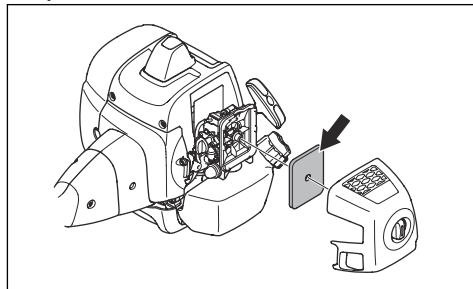
## Luftfilter

Et skittent luftfilter kan føre til feil på forgasseren, startproblemer, tap av motoreffekt og slitasje på motordeler. Det gjør også at motoren bruker mer drivstoff enn nødvendig. Rengjør filteret med et intervall på åtte timer, eller oftere hvis produktet brukes i støvete omgivelser.

**Merk:** Det kan hende at du må justere motoren etter at luftfilteret har blitt rengjort eller byttet ut. Se *Slik justerer du tomgangsturtallet på side 124*.

## Slik rengjør og undersøker du luftfilteret

1. Fjern luftfilteret.



2. Rengjør filtluftfilteret med trykkluft.

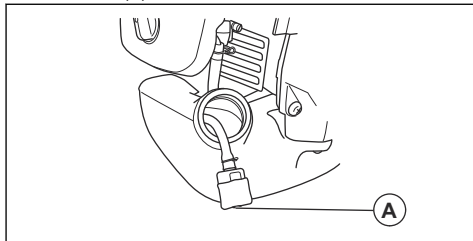


**OBS:** Skift ut filtluftfilterene hvis de ikke blir helt rene. Bytt alltid ut et skadet filtluftfilter.

3. Rengjør den indre overflaten til luftfilterdekselet. Bruk trykkluft eller en børste.

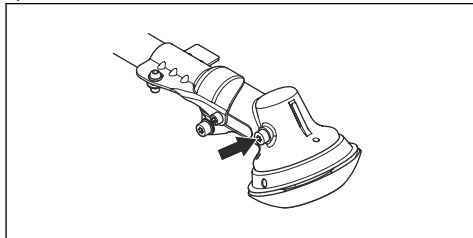
## Bensinfilter

Hvis motoren ikke får tilstrekkelig med drivstoff, må du kontrollere at luftehullet i lokket på drivstofftanken og drivstoffilteret (A) er rene.



## Vinkelgir

Vinkelgiret leveres fra fabrikkens fylt med en passende mengde fett. Før du bruker produktet, må du sørge for at vinkelgiret er 3/4 fullt med fett. Bruk McCulloch spesialfett.



Det er ikke nødvendig å skifte ut fettet i vinkelgiret med mindre vinkelgiret repareres.

## Kontrollere tennpluggen

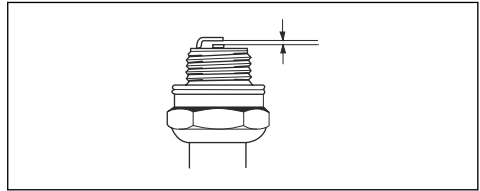


**OBS:** Bruk alltid anbefalt type tennplugg. Feil tennpluggtype kan føre til skade på produktet.

- Undersøk tennpluggen hvis motorens effekt er for lav, ikke er enkel å starte eller ikke fungerer riktig på tomgang.
- Følg disse instruksjonene for å redusere risikoen for uønsket materiale på tennpluggenes elektroder:
  - a) Pass på at tomgangsturtallet er riktig justert.
  - b) Pass på at drivstoffblandingen er riktig.

c) Kontroller at luftfilteret er rent.

- Hvis tennpluggen er skitten, må du rengjøre den og samtidig kontrollere at elektrodeavstanden er riktig. Se *Tekniske data* på side 126.



- Skift tennpluggen når det er nødvendig.

## Tekniske data

	B40 B Elite	B40 BT Elite
<b>Motor</b>		
Sylindervolum, cm <sup>3</sup>	40,1	40,1
Sylinderdiameter, Ø mm.	40,5	40,5
Lengde på sylinderslag, mm	31,1	31,1
Tomgangsturtall, o/min	3000	3000
Anbefalt maks. turtall, o/min	12000	12000
Turtall på utgående aksel, o/min	8220	8220
Maks. motoreffekt ifølge ISO 8893, kW/ o/min	1,5 ved 9000	1,5 ved 9000
<b>Tenningsystem</b>		
Tennplugg	NGK CMR7H-10	NGK CMR7H-10
Elektrodeavstand, mm	0,9–1,0	0,9–1,0
<b>Drivstoff-/smøresystem</b>		
Produsent/forgassertype	Ruixing H225D-	Ruixing H225D-
Drivstofftankvolum, l/cm <sup>3</sup>	1 / 1000	1 / 1000
<b>Vekt</b>		
Uten drivstoff, skjærestyr og beskyttelse, kg	7,3	7,4
<b>Støyutslipp<sup>13</sup></b>		
Lydeffektnivå, målt dB(A)	112	112
Lydeffektnivå, garantert L <sub>WA</sub> dB(A)	118	118

<sup>13</sup> Utslipp av støy til omgivelsene målt som lydeffekt (L<sub>WA</sub>) samsvarer med EF-direktiv 2000/14/EF. Rapporterte lydeffektnivåer for maskinen er målt med det originale skjærestyret som gir høyest nivå. Forskjellen mellom garantert og målt lydeffekt er at garantert lydeffekt også omfatter spredning i måleresultatet og variasjoner mellom forskjellige maskiner av samme modell, i henhold til direktivet 2000/14/EF.

	B40 B Elite	B40 BT Elite
<b>Lydnivåer<sup>14</sup></b>		
Ekvivalent lydtrykksnivå ved brukerens øre, målt i henhold til EN ISO 11806 og ISO 22868, dB(A), min./maks.		
Utstyrt med trimmerhode (originalt)	100	100
Utstyrt med gressklinge (original)	99	99
Utstyrt med sagklinge (original)	–	99
<b>Vibrasjonsnivåer<sup>15</sup></b>		
Ekvivalente vibrasjonsnivåer ( $a_{hv,eq}$ ) i håndtak, målt i henhold til EN ISO 11806 og ISO 22867, m/s <sup>2</sup>		
Utstyrt med trimmerhode (original) venstre/høyre	3,4 / 4,4	3,4 / 4,4
Utstyrt med gressklinge (original) venstre/høyre	5,2 / 5,1	5,2 / 5,1
Utstyrt med sagklinge (original) venstre / høyre	–	4,5 / 4,2

<b>B40 B Elite, B40 BT Elite</b>		
<b>Godkjent tilbehør</b>	<b>Type</b>	<b>Beskyttelse for skjæreutstyr, Art.nr.</b>
Sentrumshull i blader/kniver, Ø 25,4 mm		
Gjenge, utgående aksel M12		
Gressklinge/gresskniv	Gressklinge 255-4, 1" (Ø 255, 4-tenner)	580 30 50-01
	Gressklinge 255-3 (Ø 255 3-tannet)	580 30 50-01
Sagklinge	Sagklinge 200-22 (Ø 200-22-tenner)	581 33 84-01
Trimmerhode	P35	580 30 50-01
Støttekopp	Fast	–

<sup>14</sup> Rapporterte data for ekvivalent lydtrykksnivå for maskinen har en typisk statistisk spredning (standardavvik) på 1 dB (A).

<sup>15</sup> Rapporterte data for vibrasjonsnivå har en typisk statistisk spredning (standard avvik) på 1 m/s<sup>2</sup>.

## EF-samsvarserklæring

**Husqvarna AB**, SE-561 82 Huskvarna, Sverige, tlf.: +46-36-146500, erklærer at trimmeren **McCulloch B40 B Elite** med serienummer fra 2021 og fremover (året er tydelig merket på typeskiltet, etterfulgt av serienummeret), samsvarer med kravene i RÅDSDIREKTIVET:

- fra 17. mai 2006, «angående maskiner» **2006/42/EF**
- fra 26. februar 2014, «angående elektromagnetisk kompatibilitet» **2014/30/EU**
- fra 8. mai 2000, «angående utslipp av støy til omgivelsene» **2000/14/EF**. Vurdering av overensstemmelse utført i henhold til Vedlegg V. For informasjon angående støyutslippene kan du se kapittelet Tekniske data.
- av 8. juni 2011 «om begrensning i bruk av visse farlige stoffer i elektrisk og elektronisk utstyr», **2011/65/EU**.

Følgende standarder er blitt brukt:

**EN ISO 12100:2010, CISPR 12:2007+A1:2009, EN ISO 14982:2009, EN ISO 11806-1:2011, EN IEC 63000:2018**

RISE SMP Svensk Maskinprovning AB, Box 7035, SE-750 07 Uppsala, Sweden har utført frivillig typekontroll på vegne av Husqvarna AB. Sertifikatene har nummer: **SEC/12/2339** – B40 B Elite, B40 BT Elite

RISE SMP Svensk Maskinprovning AB har også bekreftet samsvar med vedlegg V i rådsdirektiv 2000/14/EF.

Huskvarna, 2020-08-25



Pär Martinsson, utviklingssjef (autorisert representant for Husqvarna AB og ansvarlig for teknisk dokumentasjon)



---

## Sommaire

---

Introduction.....	129	Entretien.....	150
Sécurité.....	132	Caractéristiques techniques.....	154
Montage.....	140	Déclaration de conformité CE.....	156
Utilisation.....	144	.....	0

---

## Introduction

---

### Description du produit

Ce produit est une débroussailleuse équipée d'un moteur à combustion.

Nous travaillons en permanence à l'amélioration de votre sécurité et de votre efficacité pendant l'utilisation. Pour davantage d'informations, contactez votre atelier d'entretien.

### Utilisation prévue

Utilisez le produit avec une lame d'éclaircissage, une lame à herbe ou une tête de désherbage pour couper différents types de végétation. N'utilisez pas ce produit

pour d'autres tâches que le désherbage, le débroussaillage et l'éclaircissage. Utilisez une lame d'éclaircissage pour dégager des bosquets et des arbustes. Utilisez une lame à herbe ou tête de désherbage pour couper l'herbe.

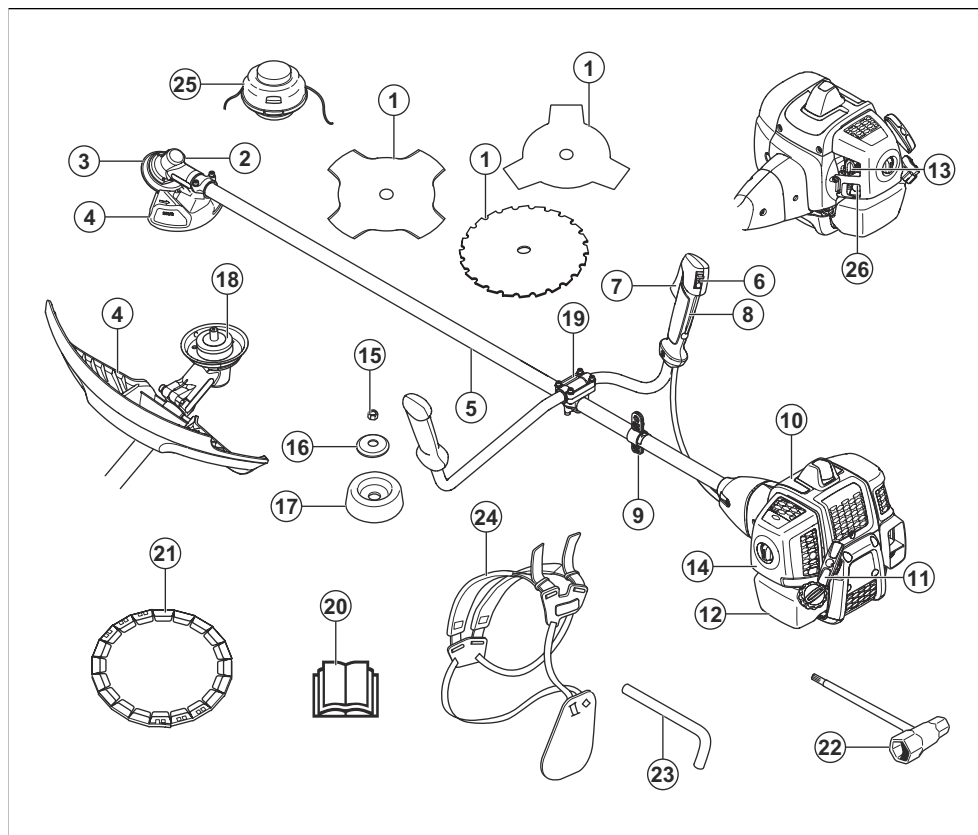
---

**Remarque:** La législation nationale ou locale peut réglementer l'utilisation. Respectez la législation en vigueur.

---

Utilisez uniquement le produit avec des accessoires approuvés par le fabricant. Reportez-vous à la section *Caractéristiques techniques à la page 154*.

## Aperçu du produit



- |  |  |
|--|--|
| <ul style="list-style-type: none"> <li>1. Lame (non incluse sur tous les marchés)</li> <li>2. Ravitaillement en lubrifiant, renvoi d'angle</li> <li>3. Renvoi d'angle</li> <li>4. Protection pour l'équipement de coupe</li> <li>5. Arbre</li> <li>6. Bouton d'arrêt</li> <li>7. Gâchette d'accélération</li> <li>8. Blocage de la commande d'accélération</li> <li>9. Œillet de suspension</li> <li>10. Ensemble de</li> <li>11. Poignée du démarreur</li> <li>12. Réservoir de carburant</li> <li>13. Starter</li> <li>14. Couverture de filtre à air</li> <li>15. Contre-écrou</li> <li>16. Bride de support</li> <li>17. Bol de garde au sol</li> <li>18. Disque d'entraînement</li> </ul> | <ul style="list-style-type: none"> <li>19. Bride de serrage du guidon</li> <li>20. Manuel de l'opérateur</li> <li>21. Protection pour le transport (non incluse sur tous les marchés)</li> <li>22. Clé à douille</li> <li>23. Goupille de blocage (pour les produits sans clé hexagonale)</li> <li>24. Harnais</li> <li>25. Tête de désherbage</li> <li>26. Poire de la pompe à carburant</li> </ul> |
|--|--|

### Symboles concernant le produit



**AVERTISSEMENT !** Ce produit est dangereux. L'utilisateur ou les personnes situées à proximité peuvent subir des blessures graves ou mortelles si le produit n'est pas utilisé correctement et avec précaution. Pour éviter de blesser l'utilisateur ou d'autres personnes, lisez et

respectez toutes les consignes de sécurité du manuel d'utilisation.



Lisez attentivement le manuel d'utilisation et assurez-vous de bien comprendre les instructions avant utilisation.



Utilisez un casque de protection dans les endroits où des objets peuvent tomber sur vous. Utilisez des protège-oreilles homologués. Utilisez des protections pour les yeux homologués.



Utilisez des gants de protection homologués.



Utilisez des bottes antidérapantes robustes.



Le produit peut entraîner la projection d'objets, ce qui peut causer des blessures.



Régime maximal de l'arbre de sortie.



Restez à une distance minimale de 15 m (50 pi) des personnes et des animaux pendant l'utilisation du produit.



Risque de rebond si l'équipement de coupe touche un objet qu'il ne coupe pas immédiatement. Le produit peut couper des parties du corps. Restez à une distance minimale de 15 m (50 pi) des personnes et des animaux pendant l'utilisation du produit.



Utilisez uniquement un fil de coupe flexible. N'utilisez pas d'éléments de coupe en métal. Respectez cette instruction pour les accessoires de désherbage.



Les flèches indiquent la limite de la position de la poignée.



Poire de la pompe à carburant.



Remplissez de carburant.



Starter.



Émissions sonores dans l'environnement selon la directive européenne 2000/14/CE et la législation de la Nouvelle-Galles du Sud « Protection of the Environment Operations (Noise Control) Regulation 2017 ». Les données relatives aux émissions sonores figurent sur l'étiquette de la machine et dans la section *Caractéristiques techniques à la page 154*.



Le produit est conforme aux directives CE en vigueur.

yyyywwxxxx

La plaque signalétique ou l'impression au laser indiquent le numéro de série. **yyyy** désigne l'année de production, **ww** désigne la semaine de production.

**Remarque:** Les autres symboles/autocollants présents sur le produit concernent des exigences de certification spécifiques à d'autres zones commerciales.

## Responsabilité

Conformément à la loi sur la responsabilité du fait des produits, nous déclinons toute responsabilité pour tout dommage causé par notre produit si :

- le produit n'est pas correctement réparé ;
- le produit est réparé avec des pièces qui ne proviennent pas du fabricant ou qui ne sont pas homologuées par le fabricant ;
- le produit est équipé d'un accessoire qui ne provient pas du fabricant ou qui n'est pas homologué par le fabricant ;
- le produit n'est pas réparé par un centre d'entretien agréé ou par une autorité homologuée.

## Émissions Euro V



**AVERTISSEMENT:** toute altération du moteur a pour effet d'annuler l'homologation de type UE de ce produit.

---

# Sécurité

---

## Définitions de sécurité

Les définitions ci-dessous indiquent le niveau de gravité pour chaque mention d'avertissement.



**AVERTISSEMENT:** Blessures aux personnes.



**REMARQUE:** Dommages au produit.

**Remarque:** Cette information facilite l'utilisation du produit.

## Instructions générales de sécurité



**AVERTISSEMENT:** Lisez les instructions qui suivent avant d'utiliser le produit.

- Ce produit génère un champ électromagnétique durant son fonctionnement. Ce champ peut dans certaines circonstances perturber le fonctionnement d'implants médicaux actifs ou passifs. Pour réduire le risque de blessures graves ou mortelles, les personnes portant des implants médicaux doivent consulter leur médecin et le fabricant de leur implant avant d'utiliser ce produit.
- N'utilisez jamais l'appareil si vous êtes fatigué ou malade, ou si vous êtes sous l'emprise d'alcool, de drogues ou de médicaments. Cela a un effet négatif sur votre vision, votre vigilance, votre coordination et votre jugement.
- N'utilisez pas le produit par mauvais temps : brouillard épais, pluie diluvienne, vent violent ou grand froid. Utiliser le produit par mauvais temps peut vous fatiguer et ajouter des risques, comme un sol glissant et un sens de chute imprévisible.
- Soyez toujours prudent et utilisez votre bon sens. Si, après avoir lu le manuel d'utilisation, vous n'êtes toujours pas sûr de la procédure à suivre ou d'une situation particulière, demandez conseil à un agent d'entretien avant de poursuivre.
- Retirez le chapeau de la bougie d'allumage si vous laissez le produit hors de votre vue.

## Consignes de sécurité pour l'assemblage



**AVERTISSEMENT:** Lisez les instructions qui suivent avant d'utiliser le produit.

- Utilisez des gants de protection homologués pour assembler le produit et l'équipement de coupe.
- Retirez le chapeau de bougie de la bougie d'allumage avant de monter le produit.
- Assurez-vous que le guidon et la protection d'accessoire de coupe adaptés sont assemblés avant d'utiliser le produit.
- Une protection d'accessoire de coupe défectueuse ou incorrecte peut provoquer des blessures. N'utilisez pas d'équipement de coupe sans une protection homologuée.
- Fixez correctement l'arbre et le capot d'embrayage avant de démarrer le produit.
- Le disque d'entraînement et la bride de support doivent s'engager correctement dans le trou central de l'équipement de coupe. Un accessoire de coupe qui n'est pas correctement fixé peut provoquer des blessures ou la mort.
- Fixez le harnais au produit pour éviter toute blessure de l'opérateur ou d'autres personnes.

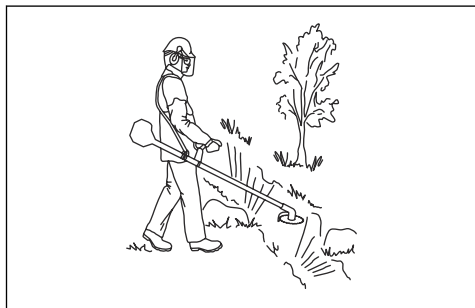
## Instructions de sécurité pour le fonctionnement



**AVERTISSEMENT:** Lisez les instructions qui suivent avant d'utiliser le produit.

- Avant d'utiliser le produit, il est essentiel de comprendre la différence entre l'éclaircissage forestier, le débroussaillage et le désherbage.
- Utilisez un équipement de protection individuel ; reportez-vous à la section *Équipement de protection individuel à la page 133*.
- Une exposition prolongée au bruit risque de causer des pertes d'audition permanentes. Utilisez toujours des protecteurs d'oreilles agréés.
- Soyez attentif aux signaux d'alerte ou aux appels lorsque vous portez des protège-oreilles. Enlevez toujours vos protège-oreilles dès que le moteur s'arrête.
- N'utilisez jamais le produit si celui-ci est différent ou défectueux.
- Vérifiez que le chapeau de bougie et le câble d'allumage ne sont pas endommagés afin d'éviter tout risque de choc électrique.
- Regardez tout autour de la zone de travail afin de vous assurer qu'aucune personne, aucun animal ni aucun objet n'ont un effet négatif sur la sécurité de fonctionnement du produit.
- Regardez tout autour de la zone de travail afin de vous assurer qu'aucune personne ni aucun animal ne touchent l'accessoire de coupe ou sont touchés par les objets qui sont projetés par l'accessoire de coupe.

- N'utilisez pas ce produit dans une situation ou un emplacement où vous ne pouvez pas bénéficier d'aide en cas d'accident.
- N'utilisez pas le produit sans une protection d'accessoire de coupe homologuée.
- Assurez-vous que les personnes et les animaux restent à une distance d'au moins 15 m (50 pi) pendant le travail. Regardez toujours derrière vous avant de vous retourner avec le produit. Arrêtez le produit immédiatement si une personne ou un animal pénètre dans la zone de sécurité de 15 m (50 pi). Si plusieurs opérateurs travaillent dans la même zone, respectez une distance de sécurité d'au moins 2 fois la hauteur de l'arbre et de minimum 15 m (50 pi).
- Examinez la zone de travail. Évitez les objets tels que les pierres, les morceaux de verre, les clous, les fils de fer, les bouts de ficelle, etc. pouvant être projetés ou risquant de s'enrouler autour de l'accessoire de coupe.
- Assurez-vous que vous pouvez vous déplacer en toute sécurité et que vous avez une position stable. Examinez la zone autour de vous et repérez les éventuels obstacles (souches, pierres, branchages, fondrières...). Faites attention lorsque vous travaillez sur un terrain en pente.
- Ne retirez pas la matière coupée ou laissez d'autres personnes le faire lorsque le moteur est en marche ou l'équipement de coupe tourne, pour éviter les blessures graves.
- Arrêtez toujours le moteur et vérifiez que l'équipement de coupe ne tourne pas avant de retirer la matière coupée enroulée autour de l'arbre de la lame ou coincée entre la protection et l'accessoire de coupe.
- Soyez prudent lorsque vous retirez la matière à proximité de l'accessoire de coupe. Le renvoi d'angle chauffe lors du fonctionnement de la machine et peut causer des brûlures graves.
- Les gaz d'échappement du moteur sont très chauds et peuvent contenir des étincelles. Risque d'incendie. Soyez prudent à proximité des matériaux secs et inflammables.
- N'utilisez jamais le produit à l'intérieur ou dans des espaces sans ventilation appropriée. Les gaz d'échappement contiennent de l'oxyde de carbone, un gaz inodore, toxique et très dangereux.
- Arrêtez le moteur avant de passer à une nouvelle zone de travail. Fixez toujours la protection de transport avant de déplacer l'équipement.
- Une exposition excessive aux vibrations peut entraîner des troubles circulatoires ou nerveux chez les personnes sujettes à des troubles cardiovasculaires. Consultez un médecin en cas de symptômes liés à une exposition excessive aux vibrations. De tels symptômes peuvent être : engourdissement, perte de sensibilité, chatouillements, picotements, douleur, faiblesse musculaire, décoloration ou modification épidermique. Ces symptômes affectent généralement les doigts, les mains ou les poignets. Les risques peuvent augmenter à basses températures.



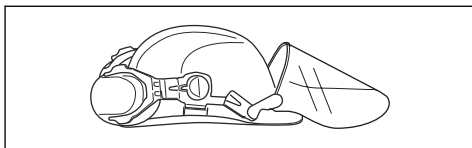
- Ne vous éloignez pas trop. Conservez toujours une position stable et un bon équilibre.
- Avant de démarrer le produit, placez-le sur une surface plane, à au moins 3 m (10 pi) de la source de carburant et de l'endroit où vous remplissez le réservoir de carburant. Vérifiez qu'il n'y a aucun objet à proximité ou en contact avec l'accessoire de coupe.
- Si l'accessoire de coupe tourne au ralenti, faites-le régler par un agent de service. N'utilisez pas le produit tant qu'il n'est pas réglé ou réparé.
- Attention aux objets projetés. Utilisez toujours des protections pour les yeux homologuées et tenez-vous à distance de la protection de l'accessoire de coupe. Les pierres et autres objets de petite taille peuvent être projetés dans les yeux et causer la cécité ou d'autres blessures.
- Ne posez pas le produit au sol lorsque le moteur est en marche, sauf si vous pouvez le surveiller.

## Équipement de protection individuel

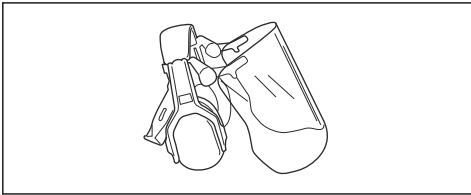


**AVERTISSEMENT:** Lisez les instructions qui suivent avant d'utiliser le produit.

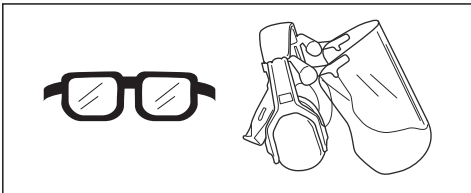
- Portez toujours un équipement de protection individuel homologué lorsque vous utilisez le produit. L'équipement de protection individuel ne protège pas complètement des blessures, mais il diminue la gravité des blessures en cas d'accident. Faites appel à votre revendeur pour vous aider à sélectionner l'équipement adéquat.
- Utilisez un casque si les arbres dans la zone de travail ont une hauteur de plus de 2 m (6,5 pi).



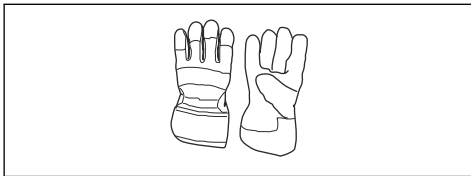
- Utilisez des protège-oreilles homologués.



- Utilisez des protections pour les yeux homologuées. L'usage d'une visière doit toujours s'accompagner du port de lunettes de protection homologuées. Les lunettes de protection doivent être conformes aux normes ANSI Z87.1 (États-Unis) ou EN 166 (pays de l'UE).



- Portez des gants de protection en cas de besoin, par exemple lorsque vous fixez, examinez ou nettoyez l'équipement de coupe.



- Portez des bottes de protection avec coques de protection en acier et des semelles antidérapantes.



- Portez des vêtements fabriqués dans un matériau résistant. Portez toujours des pantalons longs, épais et des manches longues. Ne portez pas de vêtements amples qui risqueraient de se prendre dans les brindilles et les branches. Ne portez pas de bijoux, de pantalon court ou de sandales. Ne travaillez pas pieds nus. Attachez vos cheveux de façon sécurisée au-dessus de vos épaules.

- Conservez l'équipement de premiers secours à proximité.



### Dispositifs de sécurité sur le produit

Pour plus d'informations sur l'emplacement de ces dispositifs de sécurité, voir *Protection pour l'équipement de coupe à la page 135*.



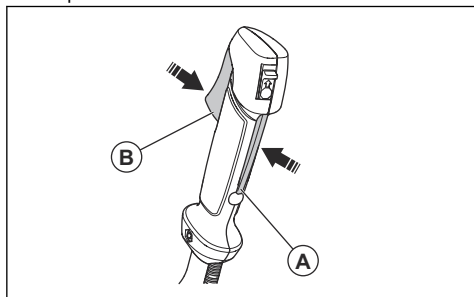
**AVERTISSEMENT:** Lisez les instructions qui suivent avant d'utiliser le produit.

- N'utilisez pas un produit avec des dispositifs de sécurité défectueux. Vérifiez et effectuez l'entretien des dispositifs de sécurité régulièrement. Si les dispositifs de sécurité sont défectueux, parlez-en à votre agent d'entretien McCulloch.
- N'apportez pas de modifications aux dispositifs de sécurité. N'utilisez pas le produit si des capots de protection, des interrupteurs de sécurité ou d'autres dispositifs de protection ne sont pas fixés ou sont défectueux.
- Une formation spécifique est nécessaire pour effectuer tous les travaux d'entretien et de réparation du produit, en particulier des dispositifs de sécurité. Si les dispositifs de sécurité se révèlent non conformes après les contrôles indiqués dans ce manuel d'utilisation, vous devez demander de l'aide à un agent d'entretien. Nous garantissons la disponibilité d'un service de réparation et d'entretien professionnel. Si votre concessionnaire n'est pas un atelier spécialisé, demandez-lui des informations à propos de l'atelier spécialisé le plus proche.
- N'utilisez pas un équipement de coupe sans une protection d'équipement de coupe correctement fixée et homologuée. Consultez la section *Caractéristiques techniques à la page 154*.

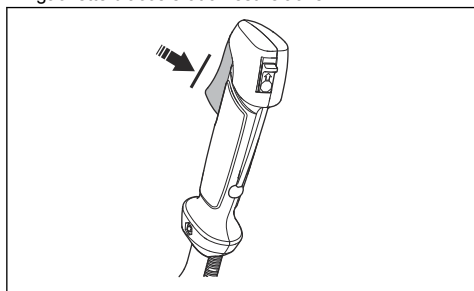
### Pour contrôler le blocage de la gâchette d'accélération

Le blocage de l'accélération a pour but d'empêcher toute accélération involontaire.

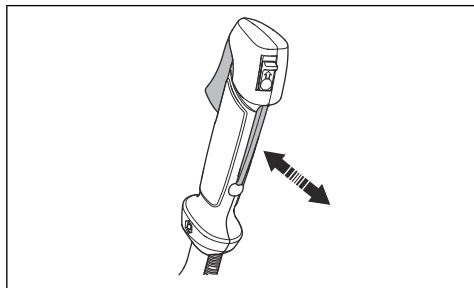
1. Appuyez sur le blocage de la gâchette d'accélération (A) et assurez-vous que la commande d'accélération soit relâchée (B). Lorsque vous relâchez la poignée, la commande d'accélération et le blocage de la gâchette d'accélération reviennent en position initiale. Ce retour s'effectue grâce à deux systèmes de ressorts de rappel. Cette position signifie que la commande d'accélération est alors automatiquement bloquée sur le ralenti.



2. Vérifiez que la commande d'accélération est bloquée en position de ralenti lorsque le blocage de la gâchette d'accélération est relâché.

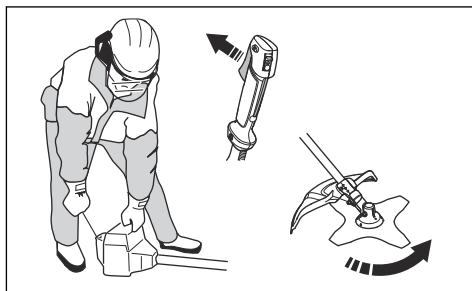


3. Abaissez le blocage de la gâchette d'accélération et vérifiez qu'il revient en position initiale quand il est relâché.



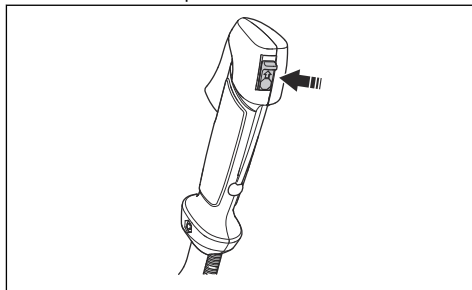
4. Contrôlez la commande d'accélération et le blocage de la gâchette d'accélération pour vérifier qu'elles se déplacent librement et que les ressorts du rappel fonctionnent correctement.

5. Démarrez le produit (reportez-vous aux instructions de la section *Pour démarrer et arrêter à la page 145*) et faites-le tourner à plein régime.
6. Relâchez l'accélérateur et assurez-vous que l'équipement de coupe s'arrête et qu'il reste immobile. Réglez le carburateur si l'équipement de coupe bouge lorsque l'accélérateur est en position de ralenti. Reportez-vous aux instructions du chapitre *Pour régler le régime de ralenti à la page 151*.



#### Pour contrôler l'interrupteur d'arrêt

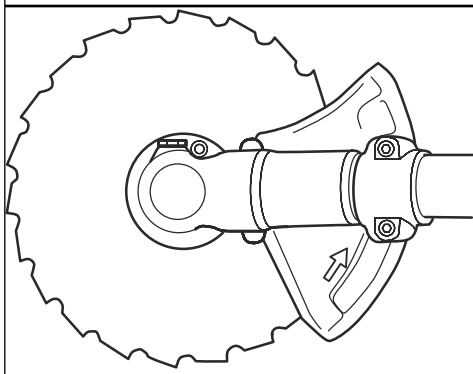
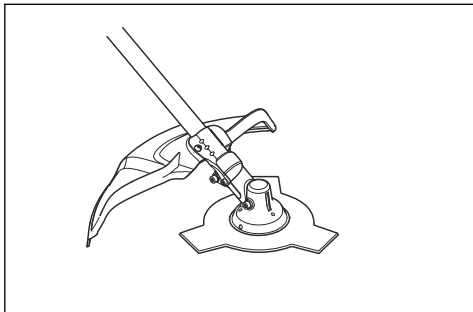
1. Démarrez le moteur.
2. Mettez l'interrupteur de marche/arrêt en position d'arrêt et vérifiez que le moteur s'arrête.



#### Protection pour l'équipement de coupe

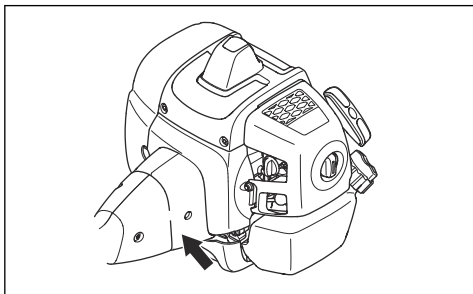
La protection de l'équipement de coupe protège l'opérateur des projections d'objets. Vérifiez la protection pour l'équipement de coupe afin de détecter d'éventuels dommages et remplacez-la si elle est endommagée.

Utilisez uniquement la protection homologuée pour l'équipement de coupe.



### Pour contrôler le système anti-vibrations

Le système anti-vibrations réduit au minimum les vibrations dans les poignées, ce qui facilite son utilisation.



1. Arrêtez le moteur.
2. Contrôlez visuellement si une déformation ou un dommage tel qu'une fissure sont présents.
3. Assurez-vous que les éléments du système anti-vibrations sont en bon état et correctement fixés.

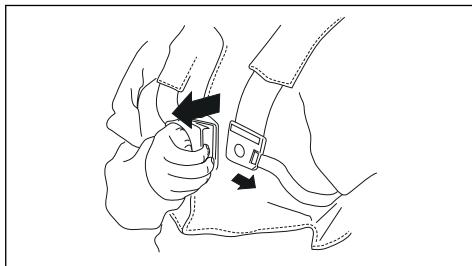
### Pour contrôler le mécanisme à libération rapide



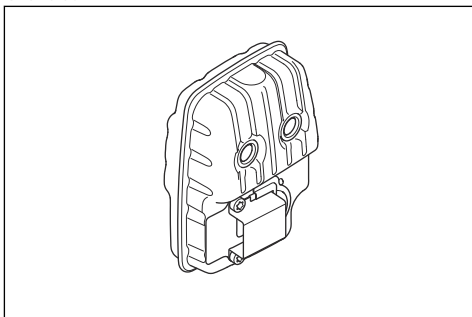
**AVERTISSEMENT:** N'utilisez pas de harnais dont le mécanisme de libération rapide est défectueux.

Le mécanisme de libération rapide permet à l'utilisateur de retirer rapidement le produit du harnais en cas d'urgence.

1. Arrêtez le moteur.
2. Réalisez un contrôle visuel pour détecter les dommages, par exemple des fissures.
3. Relâchez et fixez le mécanisme de libération rapide pour vous assurer que ce dernier fonctionne correctement.



### Silencieux



- N'utilisez pas un moteur dont le silencieux est endommagé. Un silencieux endommagé augmente le niveau sonore et le risque d'incendie. Gardez un extincteur à proximité.
- Vérifiez régulièrement que le silencieux est bien fixé sur le produit.
- Ne touchez pas le moteur ni le silencieux quand le moteur est allumé. Ne touchez pas le moteur ni le silencieux peu après l'arrêt du moteur. Les surfaces chaudes peuvent causer des blessures.
- La chaleur du silencieux peut provoquer un incendie. Soyez prudent si vous utilisez le produit à proximité de liquides inflammables ou de fumées.
- Ne touchez pas les pièces à l'intérieur du silencieux si celui-ci est endommagé. Les pièces peuvent contenir certains produits chimiques cancérigènes.



- Nettoyez le pare-étincelles à intervalles réguliers si le produit en est équipé. 🛠️

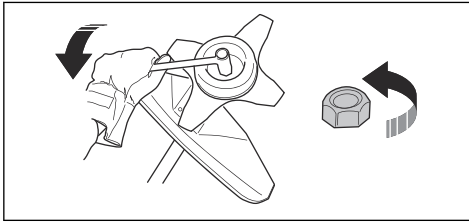
### Fixation et dépose du contre-écrou



**AVERTISSEMENT:** Arrêtez le moteur, utilisez des gants de protection et soyez prudent autour des bords tranchants de l'équipement de coupe.

Le contre-écrou est utilisé pour fixer certains types d'accessoires de coupe. Le contre-écrou est fileté à gauche.

- Pour le fixer, serrez le contre-écrou dans le sens inverse de rotation de l'équipement de coupe.
- Pour déposer le contre-écrou, desserrez le contre-écrou dans le sens de rotation de l'accessoire de coupe.
- Pour desserrer et serrer le contre-écrou, utilisez une clé à douille munie d'un arbre long. La flèche sur l'image indique la zone dans laquelle vous pouvez utiliser la clé à douille.



**AVERTISSEMENT:** Lorsque vous desserrez et serrez le contre-écrou, la lame est susceptible de causer des blessures. Vous devez toujours vous assurer que le protège-lame protège bien vos mains des blessures lorsque vous effectuez cette opération.

**Remarque:** Assurez-vous que vous ne pouvez pas tourner le contre-écrou à la main. Remplacez l'écrou si le revêtement en nylon ne présente pas une résistance d'au moins 1,5 Nm. Remplacez le contre-écrou après une dizaine de serrages.

### Équipement de coupe

Choisissez et entretenez l'équipement de coupe de manière à :

- Obtenir la meilleure coupe possible.
- Augmenter la durée de vie de l'équipement de coupe.
- Respecter les instructions de vérification, de maintenance et d'entretien du silencieux.
- Toujours utiliser la protection recommandée pour l'équipement de coupe. Voir le chapitre Caractéristiques techniques.



**AVERTISSEMENT:** N'utiliser l'équipement de coupe qu'avec la protection recommandée! Voir le chapitre Caractéristiques techniques. Référez-vous aux instructions relatives à l'équipement de coupe pour poser correctement le fil de coupe et choisir le diamètre de fil de coupe approprié.



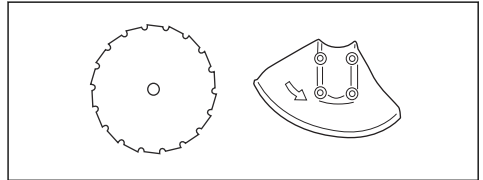
**AVERTISSEMENT:** Un équipement de coupe inadéquat peut augmenter les risques d'accidents.



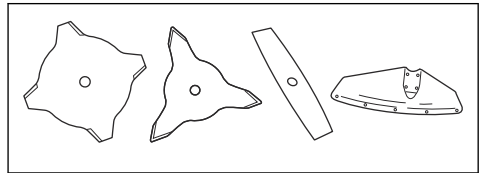
**AVERTISSEMENT:** Toujours arrêter le moteur avant d'entamer des travaux sur l'équipement de coupe. Celui-ci continue de tourner après qu'on a relâché l'accélérateur. Assurez-vous que l'accessoire de coupe est complètement immobilisé et débranchez le chapeau de bougie avant de commencer l'intervention sur l'accessoire de coupe.

### Équipement de coupe

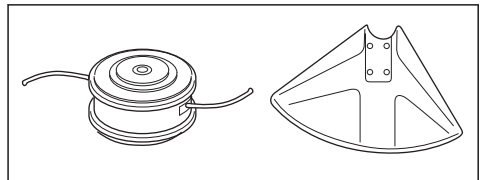
- Utilisez la lame d'éclaircissage pour dégager les bosquets et les arbustes.



- Utilisez les lames à herbe et les couteaux à herbe pour couper l'herbe épaisse.

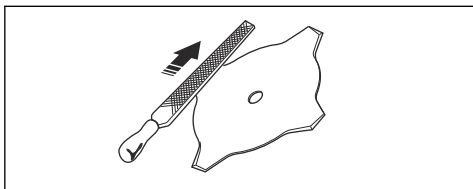


- Utilisez la tête de coupe pour couper l'herbe.



- Une lame mal affûtée ou endommagée augmente les risques d'accident. Maintenez les dents de la lame correctement affûtées. Suivez les instructions contenues dans *Pour affûter les lames et couteaux à*

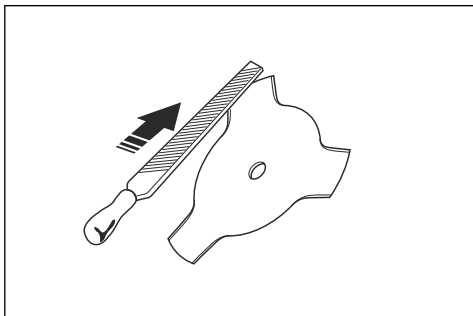
herbe à la page 138 et utilisez la jauge de profondeur recommandée.



- Vérifiez si l'accessoire de coupe présente des dommages ou des fissures. Remplacez tout accessoire de coupe endommagé.
- Utilisez l'équipement de coupe uniquement avec la protection recommandée. Reportez-vous à la section *Caractéristiques techniques* à la page 154.

### Lames

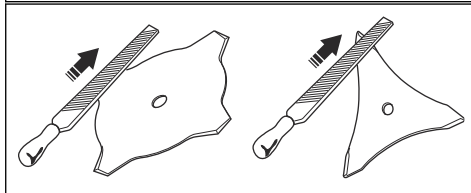
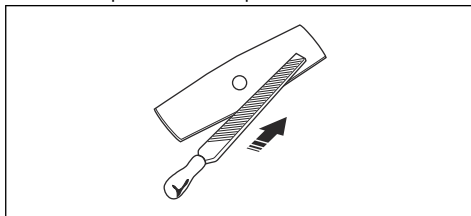
- Utilisez le produit avec une lame homologuée. N'utilisez pas de lame sans avoir posé correctement toutes les pièces nécessaires. Assurez-vous que l'installation est effectuée correctement et que les bonnes pièces sont utilisées. Une installation incorrecte peut provoquer l'expulsion de la lame et blesser gravement l'utilisateur ou les personnes se trouvant à proximité.
- Portez des gants de protection lorsque vous manipulez la lame ou que vous procédez à son entretien.
- Portez un casque lorsque vous utilisez un produit comportant une lame.
- Une lame peut provoquer des blessures lorsqu'elle tourne après l'arrêt du moteur ou après le relâchement de la gâchette d'accélération. Assurez-vous que la lame a complètement cessé de tourner avant toute opération de maintenance.
- Arrêtez le moteur avant d'entamer des travaux sur l'équipement de coupe. Assurez-vous que l'équipement de coupe s'arrête complètement. Débranchez le câble de la bougie.
- Maintenez les dents de la lame correctement affûtées.



- N'utilisez pas un équipement de coupe endommagé.
- Fixez la protection de transport sur la lame lorsque vous transportez ou rangez le produit.

### Pour affûter les lames et couteaux à herbe

- Affûtez les bords des lames et couteaux à herbe de manière égale afin de préserver l'équilibre. Utilisez une lime plate à taille simple.

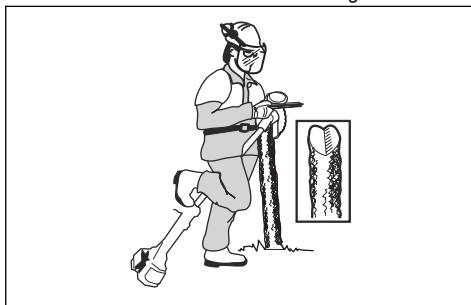


### Pour affûter la lame d'éclaircissage

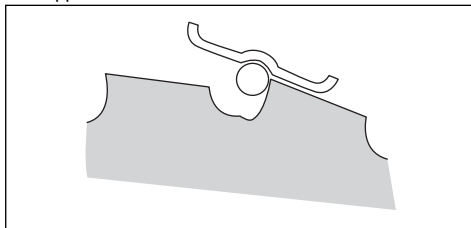


**AVERTISSEMENT:** Arrêtez le moteur. Utilisez des gants de protection.

- Pour affûter la lame correctement, reportez-vous aux instructions fournies avec la lame.
- Assurez-vous que le produit et la lame sont suffisamment soutenus lors de l'affûtage.

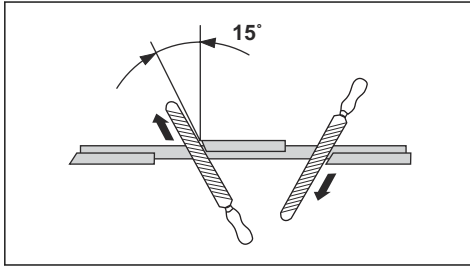


- Utilisez une lime ronde de 5,5 mm (7/32 po) et un support de lime.



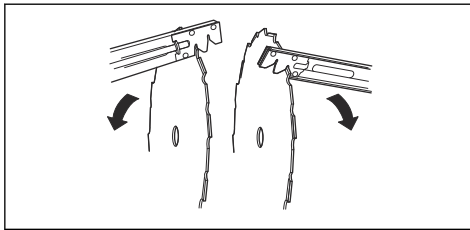
- Maintenez la lime à un angle de 15°.

- Affûtez une dent de la lame d'éclaircissage vers la droite et la dent suivante vers la gauche, voir l'illustration.



**Remarque:** Affûtez les bords des dents avec une lime plate si la lame est très usée. Continuez à affûter avec une lime ronde.

- Affûtez tous les bords de manière égale afin de maintenir l'équilibre de la lame.
- Réglez la lame à 1 mm (0,04 po) avec l'outil de réglage recommandé. Reportez-vous aux instructions fournies avec la lame.

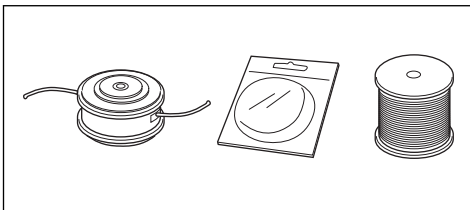


**AVERTISSEMENT:** Jetez toujours une lame endommagée. N'essayez pas de redresser une lame tordue ou pliée ni de la réutiliser.

### Tête de désherbage



**AVERTISSEMENT:** Veillez à ce que le fil de coupe soit toujours enroulé de manière serrée et régulière autour du tambour pour éviter des vibrations dangereuses.



- Utilisez uniquement les têtes de désherbage et les fils de coupe recommandés.

- Utilisez uniquement les équipements de coupe recommandés.
- Les petites machines requièrent de petites têtes de désherbage, et inversement.
- La longueur du fil de coupe est importante. Un fil de coupe long demande un moteur plus puissant qu'un fil court, même en cas de diamètre égal de fil.
- Assurez-vous que le couteau monté sur le carter de protection est intact. Il découpe le fil de coupe à la bonne longueur.
- Faites tremper le fil de coupe dans l'eau pendant quelques jours avant utilisation afin d'augmenter sa durée de vie.

### Sécurité carburant

- Ne démarrez pas le produit si du carburant ou de l'huile moteur a été renversé(e) sur le produit. Essuyez le carburant/l'huile et attendez que le produit sèche. Essuyez le carburant déversé sur le produit.
- Si vous avez renversé du carburant sur vos vêtements, changez de vêtements immédiatement.
- Évitez tout contact de la peau avec le carburant. Le carburant peut causer des blessures. Si votre peau entre en contact avec le carburant, lavez les parties qui ont été en contact avec de l'eau et du savon.
- Ne démarrez pas le moteur si vous avez renversé de l'huile ou du carburant sur le produit ou sur vous.
- Ne démarrez pas le produit s'il y a une fuite de moteur. Vérifiez régulièrement s'il y a des fuites de moteur.
- Faites attention avec le carburant. Le carburant est inflammable et ses vapeurs sont explosives. Il peut causer des blessures graves, voire mortelles.
- Ne respirez pas les vapeurs de carburant, elles peuvent causer des blessures. Assurez-vous que la ventilation est suffisante.
- Ne fumez pas à proximité du carburant ou du moteur.
- Ne mettez pas d'objets chauds à proximité du carburant ou du moteur.
- N'ajoutez pas de carburant lorsque le moteur est allumé.
- Assurez-vous que le moteur est froid avant de faire le plein de carburant.
- Avant de faire le plein, ouvrez le bouchon du réservoir de carburant lentement et relâchez la pression avec précaution.
- N'ajoutez pas de carburant au moteur dans un espace intérieur. Un débit d'air insuffisant peut causer des blessures graves, voire mortelles dues à une asphyxie ou au monoxyde de carbone.
- Serrez le bouton du réservoir de carburant avec précaution afin d'éviter tout risque d'incendie.
- Déplacez le produit à un minimum de 3 m (10 ft) de l'endroit où a été fait le plein de carburant avant de démarrer le produit.
- Ne remplissez pas trop le réservoir de carburant.

- Assurez-vous qu'aucune fuite ne peut se produire lorsque vous déplacez le produit ou le bidon de carburant.
- Ne placez pas le produit ni le bidon de carburant dans un espace où il y a une flamme nue, des étincelles ou une veilleuse d'allumage. Assurez-vous qu'il n'y a pas de flamme nue dans le lieu de stockage.
- Utilisez uniquement des récipients homologués pour le transport et le stockage de carburant.
- Avant de remettre le produit pour une période prolongée, videz le réservoir de carburant. Respectez la législation locale sur les lieux d'élimination du carburant.

- Nettoyez le produit avant de le remettre pour une période prolongée.
- Retirez la bougie avant de remettre le produit afin de s'assurer que le moteur ne démarre pas par inadvertance.

## Consignes de sécurité pour l'entretien

- Si vous ne pouvez pas régler le régime de ralenti pour arrêter l'équipement de coupe, contactez votre centre d'entretien. N'utilisez pas le produit tant qu'il n'est pas correctement réglé ou réparé.

## Montage



**AVERTISSEMENT:** Lisez le chapitre dédié à la sécurité avant de monter le produit.

### Introduction



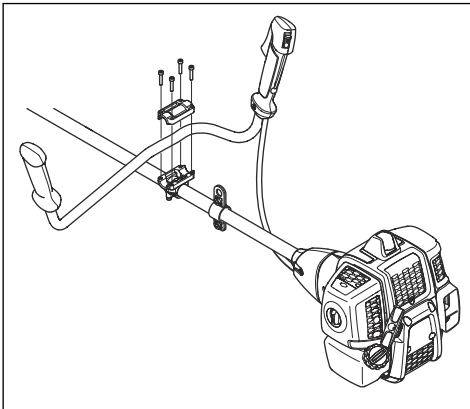
**AVERTISSEMENT:** Avant de monter le produit, vous devez lire et comprendre le chapitre sur la sécurité.



**AVERTISSEMENT:** Débranchez le câble d'allumage de la bougie avant de monter le produit.

### Pour poser le guidon

1. Fixez le guidon sur le support de montage comme indiqué.



### Pour poser des lames et des têtes de désherbage



**AVERTISSEMENT:** Utilisez uniquement la protection homologuée pour les lames. Consultez la section *Caractéristiques techniques* à la page 154. Une protection défectueuse peut provoquer des blessures.

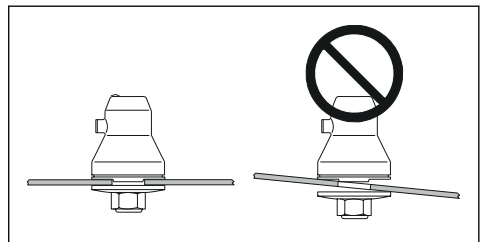


**AVERTISSEMENT:** Si vous utilisez le produit avec une lame à herbe, commencez par poser un guidon, un protège-lame et un harnais appropriés.



**AVERTISSEMENT:** Si vous ne posez pas les lames correctement, cela peut provoquer des blessures.

1. Assurez-vous que la partie levée du disque d'entraînement/de la bride de support est positionnée correctement dans le trou central des lames.
2. Posez les lames.



## Pour poser le protège-lame, la lame à herbe et le couteau à herbe

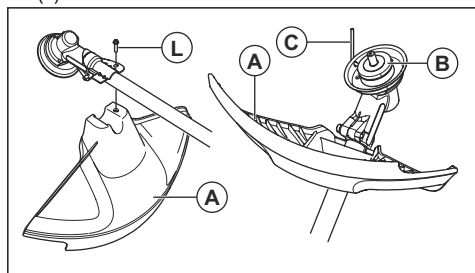


**REMARQUE:** Utilisez uniquement la protection homologuée pour les lames. Consultez le manuel d'instructions.



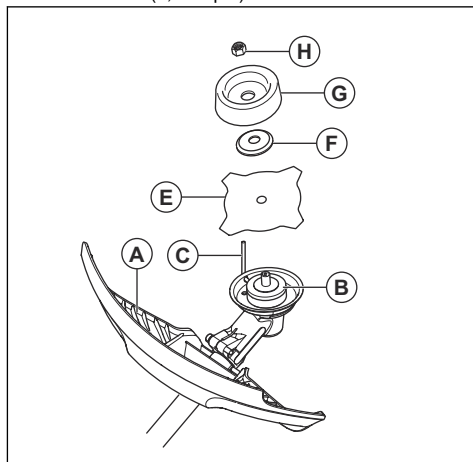
**REMARQUE:** Veillez à ce que le bouclier de protection soit démonté.

1. Fixez le protège-lame/la protection de l'équipement de coupe (A) sur l'arbre et serrez à l'aide du boulon (L).



2. Posez le toc d'entraînement (B) sur l'arbre de sortie.
3. Faites tourner l'arbre sortant jusqu'à ce que l'un des trous du disque d'entraînement coïncide avec le trou correspondant du carter.
4. Placez la goupille d'arrêt (C) dans le trou afin de bloquer l'arbre.
5. Placez la lame (E), la bride de support (F) et le bol de garde au sol (G) sur l'arbre de sortie.

6. Posez l'écrou (H). Tenez le manche de la clé mixte aussi près que possible du protège-lame. Pour serrer l'écrou, vous devez tourner la clé mixte dans le sens de rotation opposé. Serrer l'écrou au couple de 35-50 Nm (3,5-5 kpm).

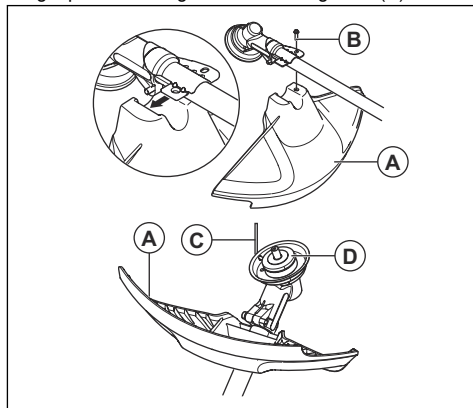


**Remarque:** Filetage à gauche.

## Pour fixer le carter de protection et la tête de désherbage

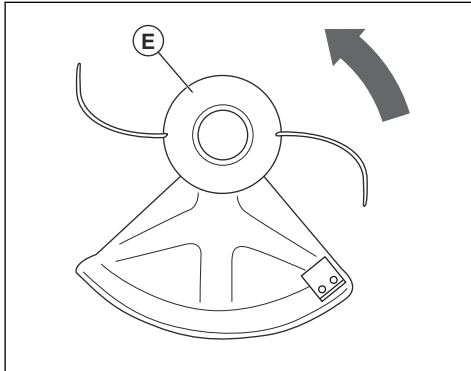
**Remarque:** Assurez-vous d'utiliser le carter de protection et la tête de désherbage appropriés.

1. Fixez le carter de protection/la protection combinée (A) appropriés pour la tête de désherbage.
2. Posez le carter de protection/la protection combinée sur l'arbre et serrez à l'aide du boulon (B). Utilisez la goupille de blocage ou la clé hexagonale (C).



3. Placez la goupille de blocage ou la clé hexagonale (C) dans la rainure de la tête de vis et serrez.

- Fixez le disque d'entraînement (D) sur l'arbre de sortie.
- Faites tourner l'arbre de sortie jusqu'à ce que l'un des trous du disque d'entraînement coïncide avec le trou du carter.
- Insérez la goupille de blocage ou la clé hexagonale (C) dans le trou afin de bloquer l'arbre.
- Assemblez la tête de désherbage/les lames en plastique (E). Tournez la tête de désherbage/les lames en plastique dans le sens contraire des aiguilles d'une montre.



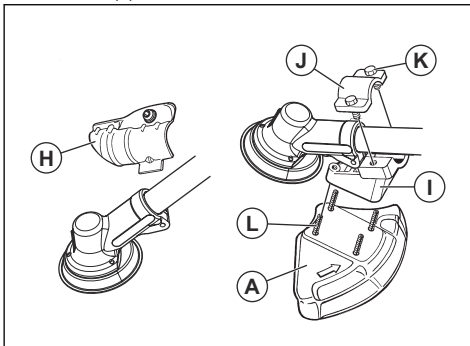
- Pour le démontage, suivez les instructions dans le sens inverse.

### Pour installer un protège-lame et une lame d'éclaircissage

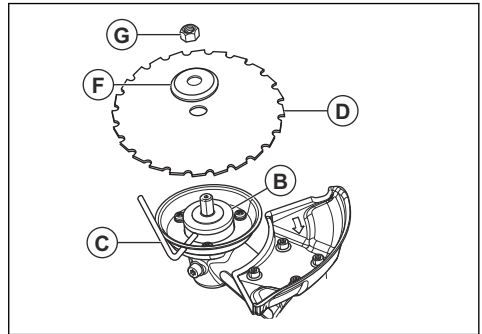


**REMARQUE:** Utilisez uniquement la protection homologuée pour les lames. Consultez la section *Caractéristiques techniques* à la page 154.

- Démontez la plaque de fixation (H).
- Installez l'adaptateur (I) et le support (J) à l'aide des deux vis (K).
- Installez le protège-lame (A) sur l'adaptateur à l'aide des 4 vis (L).

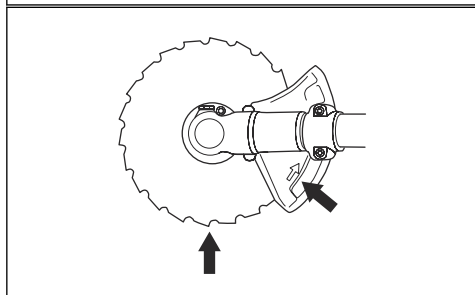
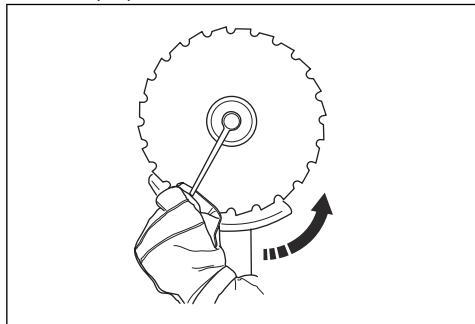


- Posez le toc d'entraînement (B) sur l'arbre de sortie.
- Faire tourner l'axe de la lame jusqu'à ce que l'un des trous du toc d'entraînement coïncide avec le trou correspondant du carter.
- Insérer la goupille d'arrêt (C) dans le trou afin de bloquer l'axe.
- Placez la lame (D) et la bride de support (F) sur l'arbre de sortie.
- Posez l'écrou (G). Serrez l'écrou à un couple de serrage de 35-50 Nm (3,5-5 kpm). Utilisez la clé à douille du jeu d'outils. Tenez le manche de la clé mixte le plus près possible du protège-lame. Serrez l'écrou en tournant la clé mixte dans le sens inverse du sens de rotation.



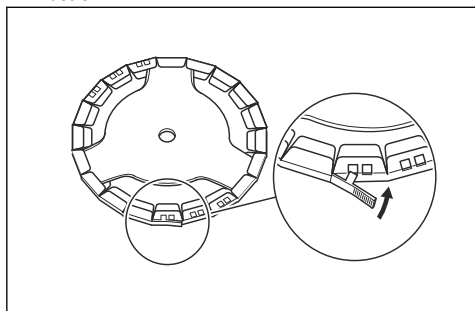
**Remarque:** Filetage à gauche.

9. Les dents de la lame d'éclaircissage risquent de causer des blessures aussi bien lors du serrage que du desserrage de l'écrou de la lame. Par conséquent, veuillez toujours à ce que votre main soit protégée par le protège-lame. Utilisez toujours une clé à douilles munie d'un manche assez long. La flèche sur l'illustration indique la zone dans laquelle la clé à douille doit être utilisée, aussi bien pour serrer que pour desserrer l'écrou.



### Pour fixer la protection de transport

1. Fixez la protection de transport sur la lame comme illustré.



### Pour régler le harnais

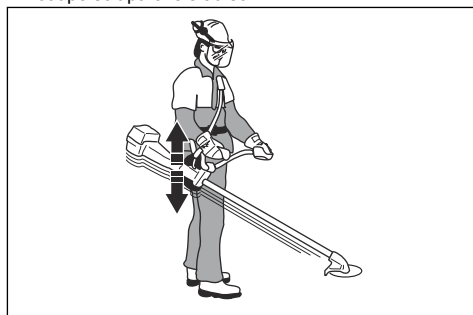


**AVERTISSEMENT:** Le produit doit toujours être correctement fixé au harnais. Si ce n'est pas le cas, vous ne pourrez pas contrôler le produit en toute sécurité, ce qui pourrait entraîner des blessures pour vous ou des tierces personnes. N'utilisez pas de harnais défectueux. N'utilisez pas de harnais dont le dispositif de libération rapide est défectueux.

1. Enfiler le harnais.
2. Reliez le produit au harnais.
3. Ajustez le harnais afin d'obtenir la position de travail la plus confortable.
4. Réglez les courroies latérales pour que le produit pèse uniformément sur les épaules.



5. Ajustez le harnais jusqu'à ce que l'équipement de coupe soit parallèle au sol.



6. Laissez l'équipement de coupe reposer légèrement sur le sol. Ajustez l'attache du harnais pour équilibrer correctement le produit.

**Remarque:** Si vous utilisez une lame à herbe, elle doit être située à environ 10 cm (4 pouces) du sol.

# Utilisation



**AVERTISSEMENT:** Assurez-vous de lire et de comprendre le chapitre dédié à la sécurité avant d'utiliser le produit.

## Introduction



**AVERTISSEMENT:** Avant d'utiliser le produit, vous devez lire et comprendre le chapitre sur la sécurité.

## Carburant

Ce produit est équipé d'un moteur à deux temps.



**REMARQUE:** L'utilisation d'un type de carburant inadéquat peut endommager le moteur. Utilisez un mélange d'essence et d'huile deux temps.

## Carburant prémélangé

- Utilisez McCulloch un carburant alkylate prémélangé pour des performances optimales et une plus longue durée de vie du moteur. Ce carburant contient des produits chimiques moins dangereux par rapport au carburant normal, ce qui réduit la quantité de gaz d'échappement dangereux. Ce carburant génère une faible quantité de résidus, ce qui permet de garder les composants du moteur propres plus longtemps.

## Pour mélanger le carburant

### Essence

- Utilisez une essence sans plomb de bonne qualité avec un maximum de 10 % d'éthanol.



**REMARQUE:** n'utilisez pas d'essence avec un indice d'octane inférieur à 90 RON/87 AKI. L'utilisation d'une essence d'un indice d'octane inférieur peut entraîner des cognements, et donc endommager le moteur.

### Huile deux temps

- Pour un résultat et un fonctionnement optimaux, utilisez de l'huile deux temps McCulloch.
- Si l'huile deux temps McCulloch n'est pas disponible, utilisez une huile deux temps de haute qualité pour moteurs refroidis à l'air. Contactez votre atelier d'entretien pour sélectionner l'huile appropriée.



**REMARQUE:** N'utilisez pas d'huile deux temps pour les moteurs hors-bord refroidis par eau (huile outboard).

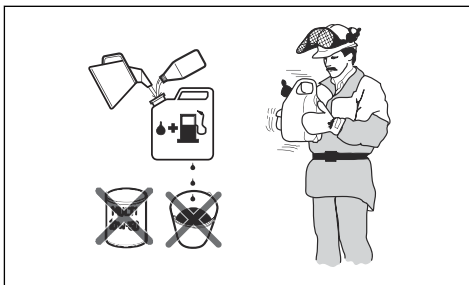
N'utilisez pas d'huile pour moteurs à quatre temps.

## Pour mélanger l'essence et l'huile deux temps

Essence, en litres	Huile deux temps, en litres
	<b>2 % (50:1)</b>
5	0,10
10	0,20
15	0,30
20	0,40
Gallon américain	Oz liq. américaine
1	2 ½
2 1/2	6 ½
5	12 ¾



**REMARQUE:** lorsque vous mélangez de faibles quantités de carburant, de petites erreurs peuvent influencer considérablement sur le rapport de mélange. Mesurez soigneusement la quantité d'huile et assurez-vous que vous obtenez le mélange correct.



- Remplissez la moitié de la quantité d'essence dans un récipient propre et adapté pour l'essence.
- Ajoutez la quantité totale d'huile.
- Mélangez en secouant le mélange de carburant.
- Ajoutez le reste de l'essence dans le récipient.
- Mélangez avec précaution en secouant le récipient.





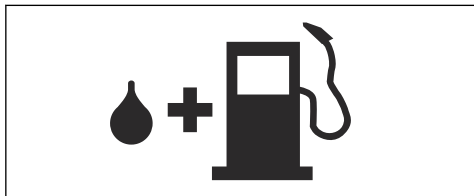
**REMARQUE:** Ne mélangez jamais plus d'un mois de carburant à chaque fois.

## Pour remplir le réservoir de carburant



**AVERTISSEMENT:** Respectez la procédure suivante pour votre sécurité.

1. Arrêtez le moteur et laissez-le refroidir.
2. Essuyez le pourtour du bouchon du réservoir de carburant.



3. Secouez le conteneur et assurez-vous que le carburant est complètement mélangé.
4. Déposez lentement le couvercle du réservoir de carburant pour relâcher la pression.
5. Remplissez le réservoir de carburant.



**REMARQUE:** Assurez-vous qu'il n'y a pas de trop de carburant dans le réservoir de carburant. Le carburant se dilate lorsqu'il devient chaud.

6. Serrez soigneusement le bouchon du réservoir de carburant.
7. Nettoyez tout déversement de carburant sur et autour du produit.
8. Positionnez le produit à au moins 3 m/10 pi de la zone et de la source du remplissage avant de démarrer le moteur.

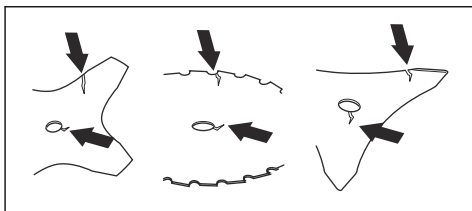
**Remarque:** Pour connaître l'emplacement du réservoir de carburant sur votre produit, reportez-vous à la section *Aperçu du produit à la page 130*.

## Pour démarrer et arrêter

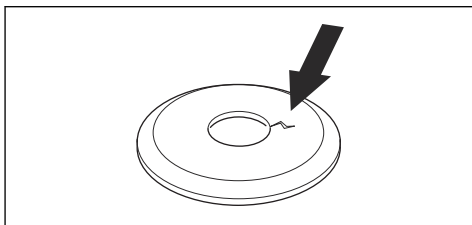
### Avant d'utiliser le produit

- Examinez la zone de travail pour vous assurer que vous connaissez le type de terrain, l'inclinaison du sol et s'il y a des obstacles tels que des pierres, des branches et des fossés.
- Effectuez une inspection générale du produit.
- Effectuez les inspections de sécurité, de maintenance et d'entretien indiquées dans ce manuel.

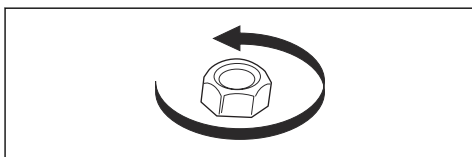
- Assurez-vous que tous les capots, toutes les protections, les poignées et l'équipement de coupe sont correctement fixés et qu'ils ne sont pas endommagés.
- Assurez-vous qu'il n'y a pas de fissure dans la partie inférieure des dents de la lame d'éclaircissage ou de la lame à herbe ou vers le trou central de la lame. Remplacez la lame si elle est endommagée.



- Examinez la bride de support pour vérifier qu'elle ne présente pas de fissures. Remplacez la bride de support si elle est endommagée.



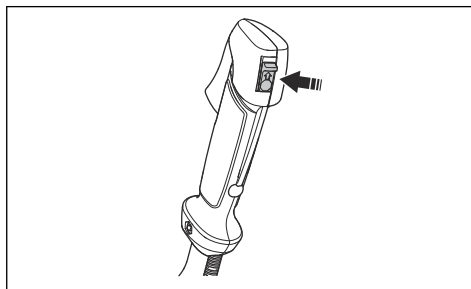
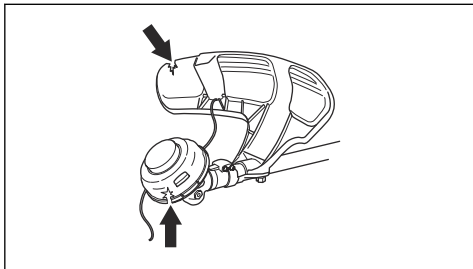
- Assurez-vous que le contre-écrou ne puisse pas être retiré à la main. Si vous pouvez le retirer à la main, il ne bloque pas suffisamment l'accessoire de coupe et vous devez le remplacer.



- Inspectez le protège-lame afin de repérer d'éventuels dommages ou fissures. Remplacez le protège-lame s'il a été touché ou s'il présente des fissures.
- Examinez la tête de désherbage et la protection de l'équipement de coupe pour vérifier l'absence de dommages ou fissures. Remplacez la tête de désherbage et la protection de l'équipement de

coupe si elles ont été touchées ou si elles présentent des fissures.

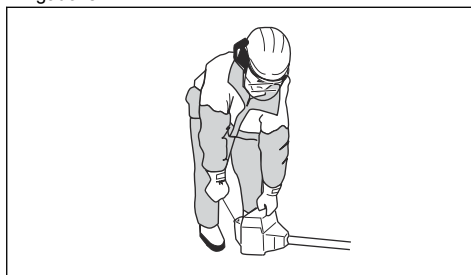
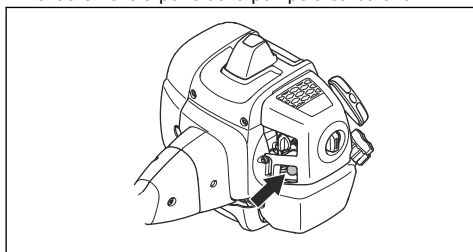
4. Mettez l'interrupteur marche/arrêt en position **MARCHE**.



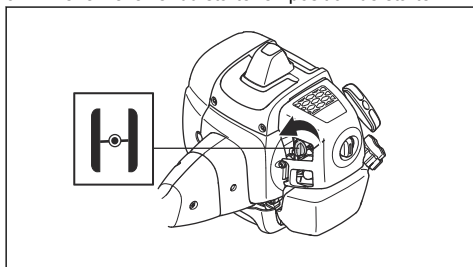
### Pour démarrer le moteur

1. Placez le produit sur une surface plane et stable. Assurez-vous que l'accessoire de coupe ne touche pas le sol.
2. Appuyez sur la poire de la pompe à carburant plusieurs fois jusqu'à ce que le carburant commence à remplir la poire. Il n'est pas nécessaire de remplir entièrement la poire de la pompe à carburant.

5. Plaquez l'appareil contre le sol à l'aide de votre main gauche.



3. Amenez le levier du starter en position de starter.



6. Tenez la poignée du câble du démarreur de votre main droite.

7. Tirez lentement sur le câble du démarreur avec votre main droite jusqu'à sentir une certaine résistance.



**AVERTISSEMENT:** N'enroulez pas le câble du démarreur autour de votre main.

8. Tirez rapidement et fermement sur la corde. Tirez sur le câble du démarreur plusieurs fois jusqu'à ce que le moteur démarre.



**REMARQUE:** ne tirez pas complètement sur le câble du démarreur et ne lâchez pas la poignée du câble du démarreur si le câble est complètement sorti. Cela peut endommager le produit.



### AVERTISSEMENT:

L'accessoire de coupe commence à tourner dès que vous démarrez le moteur avec le starter.

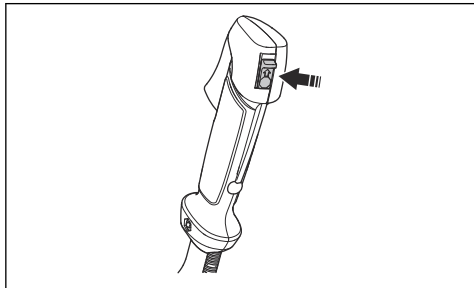
9. Réinitialisez le démarrage lorsque le moteur se met en marche.

10. Faites fonctionner la commande d'accélération petit à petit lorsque le moteur démarre.

11. Assurez-vous que le moteur tourne sans à-coups et laissez-le chauffer pendant 1 à 2 minutes avant d'utiliser le produit.

## Arrêt du produit

- Appuyez sur le bouton d'arrêt pour arrêter le moteur.



## Rebond de la lame

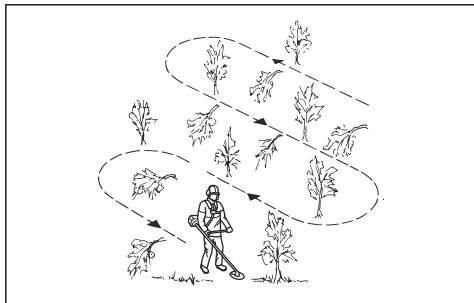
- Un rebond est un mouvement brusque du produit sur le côté, vers l'avant ou vers l'arrière. Un rebond se produit lorsque la lame à herbe heurte un objet qui ne peut pas être coupé. Dans les zones où il n'est pas facile de voir le matériau à couper, le risque de rebond est plus élevé.
- Lorsqu'un rebond se produit, il est probable que le produit ou que l'opérateur s'éloigne de son emplacement initial. Une lame qui se déplace peut heurter les personnes aux alentours et risque ainsi de les blesser.
- Si une lame est courbée, présente des fissures, est cassée ou endommagée, mettez-la au rebut.
- Utilisez une lame affûtée. Le risque de rebond est plus élevé lorsque la lame n'est pas affûtée.

## Instructions générales de travail

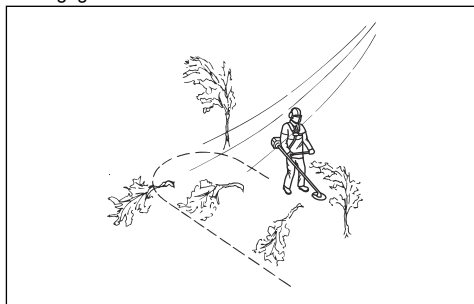


**AVERTISSEMENT:** Soyez prudent lorsque vous coupez un arbre plié. Il peut revenir brusquement à sa position normale avant ou après la coupe et vous heurter ainsi que le produit, entraînant des blessures.

- Dégagez un espace ouvert à l'une des extrémités de la zone de travail, et commencez le travail par là.
- Déplacez-vous sur une trajectoire régulière sur la zone de travail.



- Déplacez le produit complètement vers la gauche et la droite, pour dégager une largeur de 4 à 5 m à chaque tour.
- Dégagez une longueur de 75 m avant de tourner et de revenir en arrière. Déplacez le bidon de carburant avec vous lorsque vous avancez.
- Déplacez-vous dans une direction à l'écart des fossés et des obstacles si possible.
- Déplacez-vous dans une direction où le vent permet à la végétation coupée de tomber dans la zone dégagée.



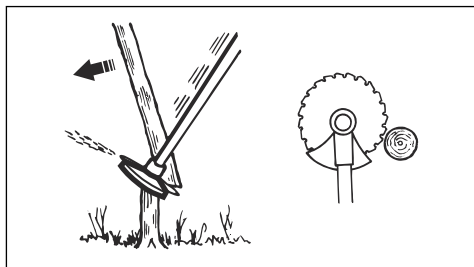
- Déplacez-vous le long des pentes, et non pas vers le haut et vers le bas.

## Déblayage forestier avec une lame d'éclaircissage

### Pour abattre un arbre vers la gauche

Pour que l'arbre tombe vers la gauche, amenez la partie inférieure de l'arbre vers la droite.

1. Donner les pleins gaz.
2. Placez la lame d'éclaircissage contre l'arbre comme indiqué sur l'image.
3. Inclinez la lame d'éclaircissage et poussez-la avec force en diagonale vers le bas, à droite. Simultanément, poussez l'arbre à l'aide du protège-lame.

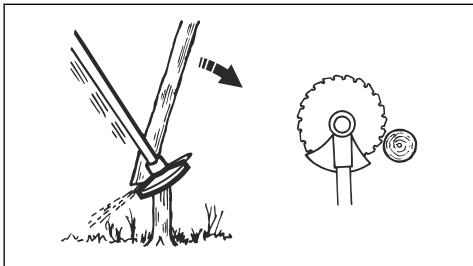


### Pour abattre un arbre vers la droite

Pour que l'arbre tombe vers la droite, amenez la partie inférieure de l'arbre vers la gauche.

1. Donner les pleins gaz.

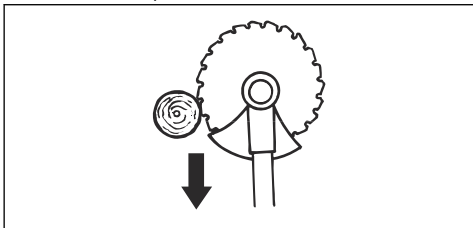
- Placez la lame d'éclaircissage contre l'arbre comme indiqué sur l'image.
- Inclinez la lame d'éclaircissage et poussez-la avec force en diagonale vers le haut, à droite. Simultanément, poussez l'arbre à l'aide du protège-lame.



### Pour abattre un arbre vers l'avant

Pour que l'arbre tombe vers l'avant, poussez la partie inférieure de l'arbre vers l'arrière.

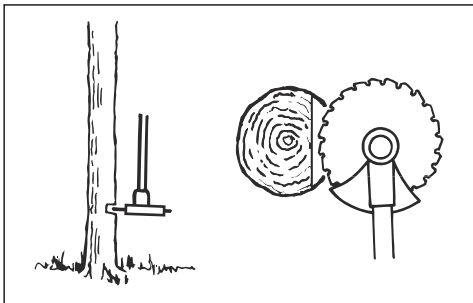
- Donner les pleins gaz.
- Placez la lame d'éclaircissage contre l'arbre comme indiqué sur l'image.
- Tirez la lame d'éclaircissage vers l'arrière avec un mouvement rapide.



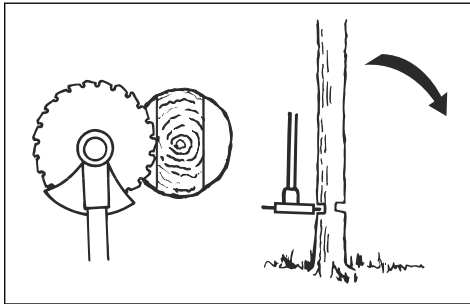
### Pour abattre des arbres de grande taille

Les arbres au tronc épais doivent être sciés depuis deux côtés.

- Examinez d'abord le sens de chute de l'arbre.
- Donner les pleins gaz.
- Coupez d'abord du côté de l'arbre sur lequel il tombera.



- Coupez à travers l'arbre de l'autre côté.



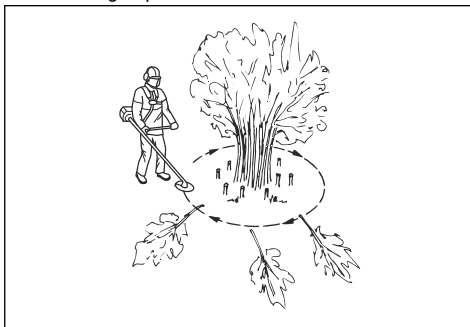
**REMARQUE:** Si la lame d'éclaircissage est bloquée, ne tirez pas le produit avec un mouvement brusque. Cela peut endommager la lame d'éclaircissage, le renvoi d'angle, le tube de transmission ou le guidon. Lâchez les poignées, tenez le tube de transmission des deux mains et tirez lentement le produit.

**Remarque:** Utilisez une pression de coupe plus importante pour abattre les arbres de petite taille. Utilisez une pression de coupe moins importante pour abattre les arbres de grande taille.

### Débroussaillage avec une lame d'éclaircissage

Pour que l'arbre tombe vers la gauche, amenez la partie inférieure de l'arbre vers la droite.

- Coupez les arbustes et les broussailles.
- Déplacez le produit d'un côté à l'autre.
- Coupez beaucoup d'arbres en un seul mouvement.
- Pour les groupes d'arbustes :



- Coupez les arbres extérieurs assez haut.
- Coupez les arbres extérieurs à la bonne hauteur.

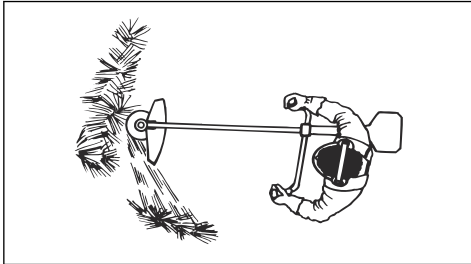
- c) Coupez à partir du centre. Si vous ne pouvez pas accéder au centre, coupez les arbres extérieurs assez haut et laissez-les tomber. Cela permet de réduire le risque de bloquer la lame d'éclaircissage.

## Débroussaillage avec une lame à herbe



**REMARQUE:** N'utilisez pas des lames à herbe et des couteaux à herbe sur du bois. Utilisez des lames à herbe et des couteaux à herbe sur de l'herbe longue ou épaisse uniquement.

- Déplacez le produit d'un côté à l'autre.
- Démarrez le mouvement de droite à gauche lorsque vous coupez. Déplacez le produit vers la droite avant de couper à nouveau.
- Coupez avec le côté gauche de la lame à herbe.

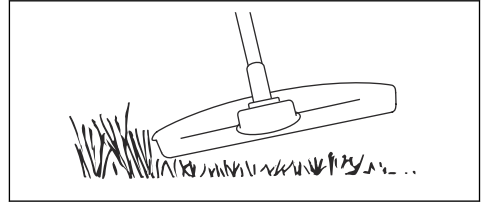


- Inclinez la lame à herbe vers la gauche pour faire tomber l'herbe dans une ligne. Cela permet de récupérer l'herbe plus facilement.
- Conservez une position stable, les pieds écartés.
- Avancez après chaque mouvement vers la droite et assurez-vous que vous avez une position stable avant de couper à nouveau.
- Maintenez le bol de garde au sol avec une légère pression contre le sol pour vous assurer que la lame à herbe ne heurte pas le sol.
- Respectez ces instructions afin de réduire le risque d'enroulement de matériaux autour de la lame à herbe :
  - a) Donner les pleins gaz.
  - b) Ne déplacez pas la lame à herbe à travers des matériaux coupés lorsque vous déplacez le produit de gauche à droite.
- Avant de récupérer la végétation coupée, arrêtez le moteur et retirez le produit du harnais. Posez le produit au sol.

## Désherbage avec tête de désherbage

### Pour tondre l'herbe

1. Maintenez la tête de désherbage juste au-dessus du sol et inclinez-la. Ne poussez pas le fil de coupe dans l'herbe.



2. Réduisez la longueur du fil de coupe de 10-12 cm (4-4,75 po).
3. Diminuez la vitesse du moteur afin de limiter le risque d'endommager les plantes.
4. Baissez le régime à 80 % lorsque vous coupez l'herbe à proximité d'objets.



### Pour nettoyer la zone de l'herbe

1. Maintenez la tête de désherbage au-dessus du sol.
2. Inclinez la tête de désherbage.
3. Coupez avec l'extrémité du fil de coupe autour des objets dans la zone de travail.

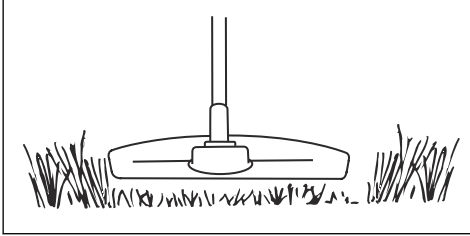


**REMARQUE:** coupez l'herbe. Les autres objets heurtés par le fil de coupe accélèrent l'usure du fil de coupe.

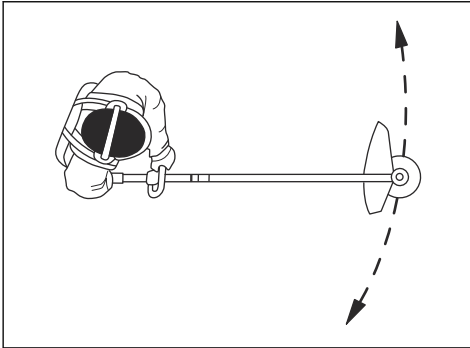
4. Utilisez 80 % de la vitesse lorsque vous devez couper et nettoyer la zone de la végétation. Cela permet de réduire l'usure de la tête de désherbage et du fil de coupe.

## Pour couper l'herbe

1. Assurez-vous que le fil de coupe est parallèle au sol lorsque vous coupez l'herbe.



2. N'appuyez pas la tête de désherbage sur le sol. Cela peut endommager le produit.
3. Déplacez le produit de gauche à droite pour couper l'herbe. Utilisez le produit à plein régime.



## Pour balayer l'herbe

Le débit d'air du fil de coupe en rotation peut être utilisé pour éliminer l'herbe coupée d'une zone.

1. Maintenez la tête de désherbage et le fil de coupe parallèles au sol et au-dessus du sol.
2. Donner les pleins gaz.
3. Déplacez la tête de désherbage d'un côté à l'autre et balayez l'herbe.



**AVERTISSEMENT:** Nettoyez le capot de la tête de désherbage chaque fois que vous remettez un fil de coupe neuf pour éviter tout déséquilibre et des vibrations dans les poignées. Vérifiez également les autres pièces de la tête de désherbage et nettoyez au besoin.

## Entretien

### Introduction

sécurité avant de procéder à l'entretien du produit.



**AVERTISSEMENT:** assurez-vous de lire et de comprendre le chapitre sur la

### Calendrier d'entretien

Entretien	Au quotidien	Toutes les semaines	Mensuel
Nettoyez la surface externe.	X		
Vérifiez que le harnais n'est pas endommagé.	X		
Contrôlez le blocage de la gâchette d'accélération et la gâchette d'accélération. Reportez-vous à la section <i>Pour contrôler le blocage de la gâchette d'accélération à la page 134.</i>	X		
Examinez la poignée et le guidon pour vérifier qu'ils sont intacts et correctement fixés.	X		

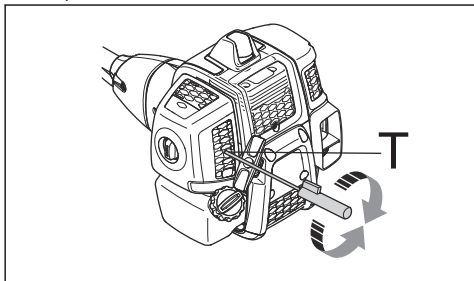
Entretien	Au quotidien	Toutes les semaines	Mensuel
Contrôlez l'interrupteur d'arrêt. Reportez-vous à la section <i>Pour contrôler l'interrupteur d'arrêt à la page 135.</i>	X		
Assurez-vous que l'équipement de coupe ne tourne pas lorsque le moteur tourne au ralenti.	X		
Nettoyez le filtre à air. Remplacez-la si elle est endommagée.	X		
Vérifiez si la protection de l'équipement de coupe présente des dommages ou des fissures.	X		
Assurez-vous que la lame d'éclaircissage ou lame à herbe est correctement fixée. Assurez-vous que la lame d'éclaircissage ou lame à herbe est tranchante et intacte.	X		
Inspectez la tête de désherbage afin de repérer d'éventuels dommages ou fissures. Remplacez-la si elle est endommagée.	X		
Serrez complètement le contre-écrou pour équipement de coupe avec un contre-écrou.	X		
Examinez la protection de transport afin de détecter d'éventuels dommages et assurez-vous qu'elle peut être fixée correctement.	X		
Serrez les écrous et les vis.	X		
Vérifiez si le moteur, le réservoir de carburant et les conduites de carburant présentent des fuites.	X		
Vérifiez si le démarreur et le câble de démarreur sont endommagés.		X	
Vérifiez la bougie. Reportez-vous à la section <i>Pour vérifier la bougie à la page 153.</i> Remplacez la bougie si nécessaire. Assurez-vous que la bougie est dotée d'un antiparasite.		X	
Nettoyez la surface extérieure du carburateur et la zone autour de celui-ci.		X	
Veillez à ce que le renvoi d'angle soit correctement rempli de graisse. Reportez-vous à la section <i>Renvoi d'angle à la page 153.</i>		X	
Vérifiez que le filtre à carburant n'est pas contaminé ou que le tuyau de carburant ne comporte pas de fissures ou d'autres défauts. Remplacez-les si nécessaire.			X
Vérifiez tous les câbles et toutes les connexions.			X
Remplacez la bougie. Assurez-vous que la bougie est dotée d'un antiparasite.			X

## Pour régler le régime de ralenti

L'aiguille de haut régime et l'aiguille de ralenti sont réglées de façon permanente et ne peuvent pas être ajustées. Le régime de ralenti est la seule fonction qui peut être réglée.

1. Démarrez le moteur et assurez-vous qu'il tourne à chaud avant de commencer à régler le régime de ralenti.

2. Tournez la vis de régime de ralenti dans le sens des aiguilles d'une montre jusqu'à ce que l'accessoire de coupe commence à tourner.



3. Tournez la vis de régime de ralenti dans le sens contraire des aiguilles d'une montre jusqu'à l'arrêt de l'accessoire de coupe.
4. Le régime de ralenti doit être inférieur à la vitesse lorsque l'équipement de coupe commence à tourner. Le régime de ralenti est correct lorsque le moteur fonctionne sans à-coups dans toutes les positions.

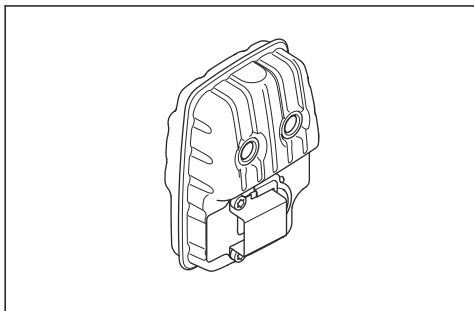
## Pour procéder à l'entretien du silencieux

Le silencieux atténue le niveau sonore et éloigne les gaz d'échappement de l'utilisateur.

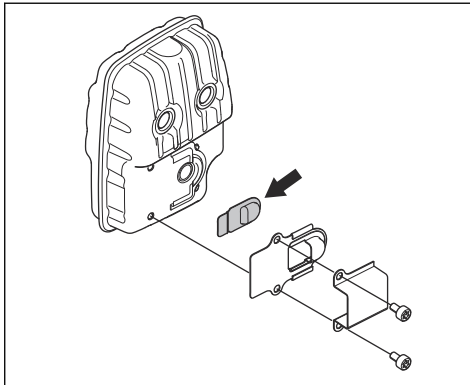


**AVERTISSEMENT:** les silencieux équipés de pots catalytiques deviennent très chauds lors du fonctionnement du produit et restent chauds pendant un certain temps après avoir arrêté le produit. Ceci est également vrai pour le régime au ralenti. Tout contact avec le produit peut provoquer des brûlures de la peau. Pensez au risque d'incendie.

1. Arrêtez le produit et laissez-le refroidir.
2. Retirez le silencieux.



3. Retirez les vis qui maintiennent le pare-étincelles.



4. Nettoyez le pare-étincelles s'il est bloqué ou remplacez-le s'il est endommagé.



**REMARQUE:** remplacez le pare-étincelles s'il est endommagé. N'utilisez pas un produit si le pare-étincelles du silencieux est manquant ou défectueux.



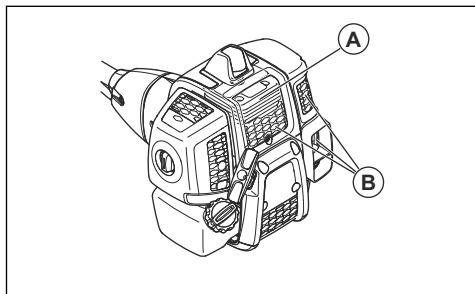
**REMARQUE:** si le pare-étincelles est souvent bloqué, ceci peut être le signe que les performances de votre pot catalytique commencent à décliner. Faites contrôler le silencieux par votre atelier d'entretien. Un pare-étincelles bloqué provoque une surchauffe et la détérioration du cylindre et du piston.

## Nettoyage et maintenance du système de refroidissement

Ce produit est équipé d'un système de refroidissement. Un système de refroidissement sale ou colmaté peut provoquer la surchauffe du produit et endommager le piston ainsi que le cylindre. Contrôlez et nettoyez le système de refroidissement avec une brosse une fois par semaine ou plus souvent en cas d'utilisation intensive. Le système de refroidissement se compose



d'ailettes de refroidissement situées sur le cylindre (A) et de la prise d'air (B).



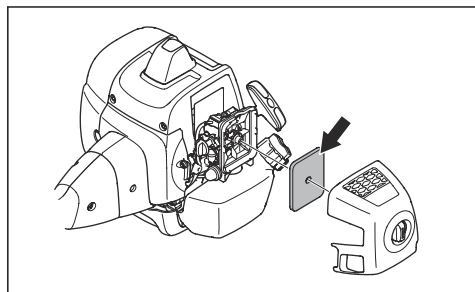
## Filtre à air

Un filtre à air sale peut causer un dysfonctionnement du carburateur, des problèmes de démarrage, une perte de puissance du moteur et l'usure de pièces du moteur. Il entraîne également une consommation de carburant plus importante. Nettoyez le filtre toutes les 8 heures ou plus fréquemment si le produit est utilisé dans un environnement poussiéreux.

**Remarque:** Un réglage du moteur peut être nécessaire lorsque le filtre à air a été nettoyé ou remplacé. Consultez la section *Pour régler le régime de ralenti à la page 151*.

### Pour nettoyer et examiner le filtre à air

1. Retirez le filtre à air.



2. Nettoyez le filtre à air en feutre avec de l'air comprimé.

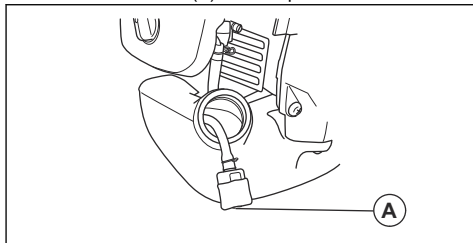


**REMARQUE:** Remplacez le filtre à air en feutre s'il est impossible de le nettoyer complètement. Remplacez toujours un filtre à air en feutre endommagé.

3. Nettoyez la surface intérieure du couvercle du filtre à air. Utilisez de l'air comprimé ou une brosse.

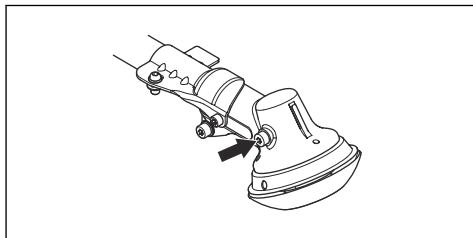
## Filtre à carburant

Si l'approvisionnement en carburant commence à être insuffisant pour le moteur, vérifiez si l'évent du bouchon du réservoir et le filtre (A) ne sont pas obstrués.



## Renvoi d'angle

Le renvoi d'angle est enduit en usine de la quantité correcte de graisse. Avant d'utiliser le produit, assurez-vous toutefois que le renvoi d'angle est rempli au 3/4 avec de la graisse. Utilisez de la graisse spéciale McCulloch.



Il n'est pas nécessaire de remplacer la graisse dans le renvoi d'angle, sauf si celui-ci est réparé.

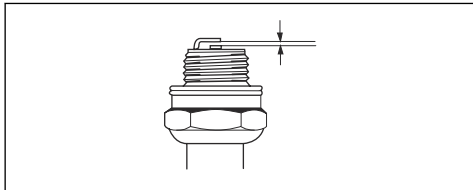
## Pour vérifier la bougie



**REMARQUE:** Utilisez toujours le type de bougie recommandé. Un type de bougie inadéquat peut endommager le produit.

- Inspectez la bougie si le moteur manque de puissance, n'est pas facile à démarrer ou ne fonctionne pas correctement lorsqu'il tourne au régime de ralenti.
- Afin de réduire le risque de matériaux indésirables présents sur les électrodes de la bougie, procédez comme suit :
  - a) Assurez-vous que le régime de ralenti est correctement réglé.
  - b) Assurez-vous que le mélange de carburant est correct.
  - c) Assurez-vous que le filtre à air est propre.

- Si la bougie est encrassée, nettoyez-la et vérifiez que l'écartement des électrodes est correct ; reportez-vous à la section *Caractéristiques techniques à la page 154*.
- Remplacez la bougie si nécessaire.



## Caractéristiques techniques

	B40 B Elite	B40 BT Elite
<b>Moteur</b>		
Cylindrée, cm <sup>3</sup>	40,1	40,1
Diamètre du cylindre, Ø mm	40,5	40,5
Longueur de course du cylindre, mm	31,1	31,1
Régime de ralenti, tr/min	3 000	3 000
Régime d'emballement maximal recommandé, tr/min	12 000	12 000
Régime de l'arbre de sortie, tr/min	8220	8220
Puissance moteur max. selon ISO 8893, kW @ tr/min	1,5 à 9000	1,5 à 9000
<b>Système d'allumage</b>		
Bougie	NGK CMR7H-10	NGK CMR7H-10
Écartement des électrodes, mm	0,9 - 1,0	0,9 - 1,0
<b>Système de graissage/de carburant</b>		
Fabricant/type de carburateur	Ruixing H225D-	Ruixing H225D-
Capacité du réservoir de carburant, l/cm <sup>3</sup>	1 / 1000	1 / 1000
<b>Poids</b>		
Sans carburant, protection et équipement de coupe, kg	7,3	7,4
<b>Émissions sonores<sup>16</sup></b>		
Niveau de puissance sonore mesuré dB (A)	112	112
Niveau de puissance sonore, garanti L <sub>WA</sub> dB(A)	118	118

<sup>16</sup> Émissions sonores dans l'environnement mesurées comme puissance sonore (L<sub>WA</sub>) selon la directive européenne CE 2000/14/CE. Le niveau de puissance sonore reporté pour la machine a été mesuré avec l'accessoire de coupe d'origine qui donne le niveau le plus élevé. Le niveau de puissance sonore garanti diffère du niveau mesuré en cela qu'il prend également en compte la dispersion et les variations d'une machine à l'autre du même modèle, conformément à la directive 2000/14/CE.

	B40 B Elite	B40 BT Elite
<b>Niveaux sonores<sup>17</sup></b>		
Pression acoustique équivalente au niveau des oreilles de l'utilisateur, mesurée selon EN/ISO 11806 et ISO 22868, dB(A), min./max.		
Équipée d'une tête de désherbage (d'origine)	100	100
Équipée d'une lame à herbe (d'origine)	99	99
Équipée d'une lame d'éclaircissage (d'origine)	-	99
<b>Niveaux de vibrations<sup>18</sup></b>		
Niveaux de vibrations équivalents ( $a_{hv,eq}$ ) mesurés au niveau des poignées selon EN ISO 11806 et ISO 22867, en $m/s^2$		
Équipée d'une tête de désherbage (d'origine), gauche/droite	3,4 / 4,4	3,4 / 4,4
Équipée d'une lame à herbe (d'origine), gauche/droite	5,2 / 5,1	5,2 / 5,1
Équipée d'une lame d'éclaircissage (d'origine), gauche/droite	-	4,5 / 4,2

<b>B40 B Elite, B40 BT Elite</b>		
<b>Accessoires homologués</b>	<b>Type</b>	<b>Protection pour équipement de coupe, réf.</b>
Trou central des lames/couteaux, Ø 25,4 mm		
Axe de lame fileté M12		
Lame/couteau à herbe	Lame à herbe 255-4 1" (Ø 255, 4 dents)	580 30 50-01
	Lame à herbe 255-3 (Ø 255, 3 dents)	580 30 50-01
Lame d'éclaircissage	Lame d'éclaircissage 200-22 (ø 200, 22 dents)	581 33 84-01
Tête de désherbage	P35	580 30 50-01
Bol de garde au sol	Fixe	-

<sup>17</sup> Les données reportées pour le niveau de pression sonore équivalent montrent une dispersion statistique typique (déviation standard) de 1 dB (A).

<sup>18</sup> Les données reportées pour le niveau de vibrations montrent une dispersion statistique typique (déviation standard) de 1  $m/s^2$ .

---

# Déclaration de conformité CE

---

## Déclaration de conformité CE

**Husqvarna AB**, SE-561 82 Huskvarna, Suède, tél. : +46-36-146500, déclarons que le coupe-herbe **McCulloch B40 B Elite** à partir des numéros de série de l'année de fabrication 2021 et ultérieurement (l'année est clairement indiquée sur la plaque signalétique et suivie d'un numéro de série) est conforme aux dispositions de la DIRECTIVE DU CONSEIL :

- du 17 mai 2006 « relative aux machines » **2006/42/CE**
- du 26 février 2014 « relative à la compatibilité électromagnétique » **2014/30/UE**
- du 8 mai 2000 « émissions sonores dans l'environnement » **2000/14/CE**. Évaluation de la conformité conformément à l'annexe V. Pour les informations concernant les émissions sonores, consultez le chapitre Caractéristiques techniques.
- du 8 juin 2011 « relative à la limitation de l'utilisation de certaines substances dangereuses au sein d'équipements électriques et électroniques » **2011/65/UE**.

Les normes harmonisées suivantes ont été appliquées :

**EN ISO 12100:2010, CISPR 12:2007+A1:2009, EN ISO 14982:2009, EN ISO 11806-1:2011, EN IEC 63000:2018**

RISE SMP Svensk Maskinprovning AB, Box 7035, SE-750 07 Uppsala, Sweden a procédé à des examens de type volontaire au nom de Husqvarna AB. Les certificats ont les numéros : **SEC/12/2339** - B40 B Elite, B40 BT Elite

RISE SMP Svensk Maskinprovning AB a également vérifié la conformité à l'annexe V de la directive du conseil 2000/14/EG.

Huskvarna, 2020-08-25



Pär Martinsson, directeur du développement  
(représentant autorisé de Husqvarna AB et responsable de la documentation technique)

---

## Inhoud

---

Inleiding.....	157	Onderhoud.....	177
Veiligheid.....	160	Technische gegevens.....	180
Montage.....	168	EG verklaring van overeenstemming.....	183
Werking.....	171	.....	0

---

## Inleiding

---

### Productbeschrijving

Dit product is een bosmaaier met een verbrandingsmotor.

Er wordt voortdurend gewerkt aan het verhogen van uw veiligheid en efficiëntie tijdens bedrijf. Neem voor meer informatie contact op met uw servicedealer.

### Gebruik

Gebruik het product met een zaagblad, een grasmaaiblad of een trimmerkop voor het snoeien van verschillende soorten vegetatie. Gebruik het product niet voor andere werkzaamheden dan het trimmen en

maaieren van gras en in de bosbouw. Gebruik een zaagblad voor het zagen van vezelachtige houtsoorten. Gebruik een grasmaaiblad of trimmerkop voor het maaieren van gras.

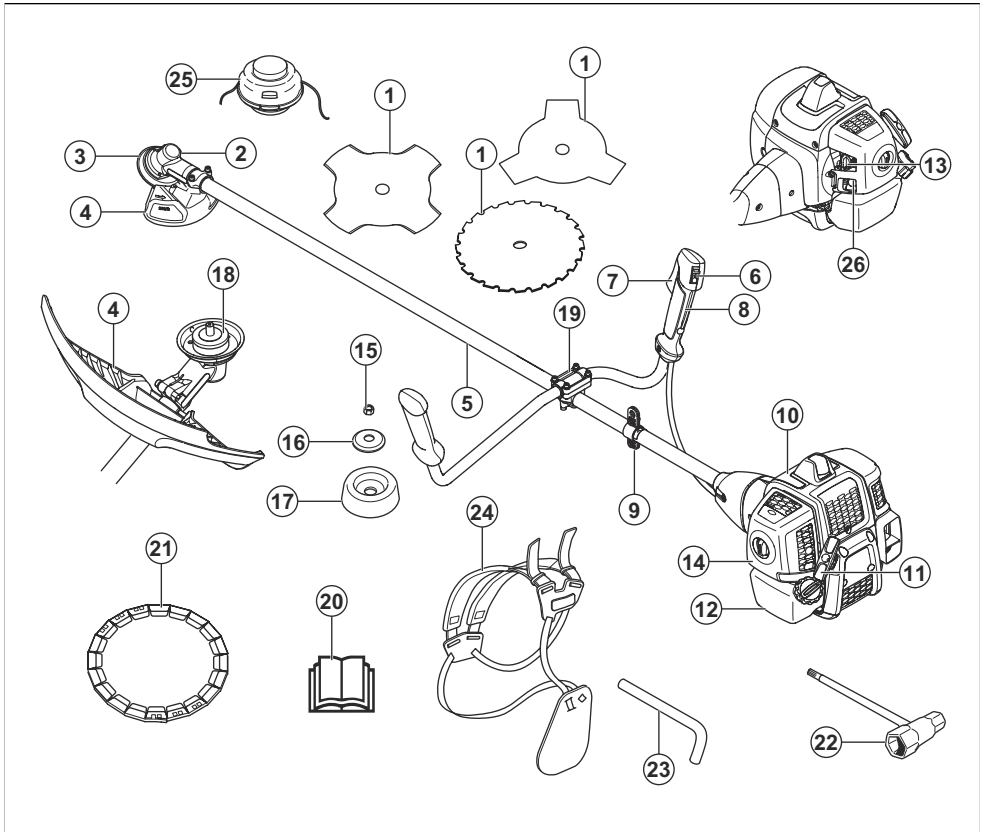
---

**Let op:** Landelijke of lokale wettelijke voorschriften kunnen van toepassing zijn op het gebruik. Volg de eventuele voorschriften op.

---

Gebruik het product uitsluitend met accessoires die door de fabrikant zijn goedgekeurd. Zie *Technische gegevens op pagina 180*.

## Productoverzicht



- |  |   |
|--|---|
| 1. Blad (niet voor alle markten)               | 19. Klem handgreep                                |
| 2. Bijvulopening smeermiddel, hoekoverbrenging | 20. Bedieningshandleiding                         |
| 3. Haakse overbrenging                         | 21. Transportbescherming (niet voor alle markten) |
| 4. Beschermkap voor snijtrusting               | 22. Dopsleutel                                    |
| 5. Steel                                       | 23. Borgpen (voor producten zonder inbussleutel)  |
| 6. Stopschakelaar                              | 24. Draagstel                                     |
| 7. Gashendel                                   | 25. Trimmerkop                                    |
| 8. Gashendelvergrendeling                      | 26. Primerbalg van brandstofpomp                  |
| 9. Ophanging                                   |   |
| 10. Cilinderkap                                |   |
| 11. Starthendel                                |   |
| 12. Brandstoftank                              |   |
| 13. Chokehendel                                |   |
| 14. Luchtfilterdeksel                          |   |
| 15. Borgmoer                                   |   |
| 16. Steunflens                                 |   |
| 17. Steunkop                                   |   |
| 18. Meenemer                                   |   |

### Symbolen op het product



**WAARSCHUWING!** Dit product is gevaarlijk. Onzorgvuldig of onjuist gebruik van het product kan leiden tot letsel of de dood van de gebruiker of omstanders. Lees en volg alle veiligheidsinstructies in de bedieningshandleiding om letsel bij de gebruiker of omstanders te voorkomen.



Lees de bedieningshandleiding zorgvuldig door en zorg dat u de instructies hebt begrepen voordat u het product gebruikt.



Gebruik een veiligheidshelm op locaties waar objecten op u kunnen vallen. Gebruik goedgekeurde gehoorbescherming. Gebruik goedgekeurde oogbescherming.



Draag goedgekeurde veiligheidshandschoenen.



Gebruik antislipplaaizen voor zwaar gebruik.



Het gebruik van het product kan tot rondvliegende voorwerpen leiden, waardoor letsel kan ontstaan.



Maximum toerental van de uitgaande as.



Houd personen en dieren op een minimale afstand van 15 m/50 ft tijdens het gebruik van dit product.



Risico op terugslag als de snijuitrusting een object raakt dat niet onmiddellijk wordt gesneden. Het product kan lichaamsdelen amputeren. Houd personen en dieren op een minimale afstand van 15 m/50 ft tijdens het gebruik van dit product.



Gebruik alleen een flexibele snijdraad. Gebruik geen metalen snijelementen. Dit is van toepassing voor grasbeschermkap-accessoire.



De pijlen tonen de grenswaarde voor de stand van de hendel.



Primerbalg van brandstofpomp.



Vul brandstof bij.



Choke.



Geluidsemissies naar de omgeving volgens de Europese richtlijn 2000/14/EG en de wetgeving van Nieuw-Zuid-Wales "Protection of the Environment Operations (Noise Control) Regulation 2017". De geluidsemissiegegevens vindt u op het machinelabel en in *Technische gegevens op pagina 180*.



Het product voldoet aan de geldende EG-richtlijnen.

yyyywwxxxx

Het serienummer staat op het productplaatje of de laserprint. **yyyy** is het productiejaar, **ww** is de productie-week.

**Let op:** Andere symbolen/stickers op het product hebben betrekking op certificeringseisen voor overige commerciële markten.

## Productaansprakelijkheid

Zoals uiteengezet in de wet voor productaansprakelijkheid zijn wij niet aansprakelijk voor schade die door ons product wordt veroorzaakt, indien:

- het product niet goed is gerepareerd.
- het product is gerepareerd met onderdelen die niet van de fabrikant afkomstig zijn, of onderdelen die niet zijn goedgekeurd door de fabrikant.
- het product een accessoire bevat dat niet afkomstig is van de fabrikant of niet is goedgekeurd door de fabrikant.
- het product niet is gerepareerd door een erkend servicepunt of door een erkende autoriteit.

## Euro V-emissies



**WAARSCHUWING:** De EU-typegoedkeuring van dit product vervalt als ongeoorloofde wijzigingen aan de motor aangebracht worden.

---

# Veiligheid

---

## Veiligheidsdefinities

De onderstaande definities geven de mate van ernst weer voor elk trefwoord.



**WAARSCHUWING:** Letsel aan personen.



**OPGELET:** Schade aan het product.

**Let op:** Deze informatie maakt het product eenvoudiger in gebruik.

## Algemene veiligheidsinstructies



**WAARSCHUWING:** Lees de volgende waarschuwingen voordat u het product gaat gebruiken.

- Dit product produceert tijdens bedrijf een elektromagnetisch veld. Dit veld kan onder bepaalde omstandigheden de werking van actieve of passieve medische implantaten verstoren. Om het risico op ernstig of dodelijk letsel te beperken, raden we personen met een medisch implantaat aan om contact op te nemen met hun arts en de fabrikant van het medische implantaat alvorens dit product te gaan gebruiken.
- Gebruik het product nooit als u moe of ziek bent, of onder invloed van alcohol, drugs of medicijnen verkeert. Dit heeft een negatief effect op uw visie, alertheid, coördinatie en oordeel.
- Gebruik het product niet in ongunstige weersomstandigheden, zoals dichte mist, hevige regen, harde wind en hevige koude. Het bedienen van het product in slechte weersomstandigheden is vermoeiend en kan tot extra gevaarlijke situaties leiden, zo kan de grond glad zijn of de wind kan de valrichting beïnvloeden.
- Wees altijd voorzichtig en gebruik uw gezond verstand. Als u na het lezen van de gebruikershandleiding niet precies weet hoe u het product moet gebruiken, neem dan contact op met een servicedealer voordat u verdergaat.
- Verwijder de bougiekop als u geen toezicht houdt op het product.

## Veiligheidsinstructies voor montage



**WAARSCHUWING:** Lees de volgende waarschuwingen voordat u het product gaat gebruiken.

- Draag goedgekeurde veiligheidshandschoenen wanneer u het product en de snijuitrusting monteert.
- Verwijder de bougiekabel van de bougie voordat u het product monteert.
- Zorg ervoor dat het juiste stuur en de juiste beschermkap van de snijuitrusting zijn gemonteerd voordat u het product gebruikt.
- Een defecte of onjuiste beschermkap van de snijuitrusting kan letsel veroorzaken. Gebruik geen snijuitrusting zonder een goedgekeurde beschermkap.
- Bevestig het koppelingsdeksel en de steel goed voordat u het product start.
- De meenemer en de steunflens moeten correct in de opening in het midden van de snijuitrusting worden gepositioneerd. Een snijuitrusting die niet juist wordt bevestigd, kan ernstig letsel of de dood veroorzaken.
- Bevestig het draagstel aan het product om letsel aan de gebruiker of anderen te voorkomen.

## Veiligheidsinstructies voor bediening

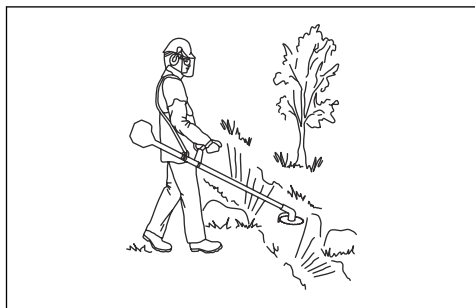


**WAARSCHUWING:** Lees de volgende waarschuwingen voordat u het product gaat gebruiken.

- Voordat u het product gaat gebruiken, moet u lezen en begrijpen wat het verschil is tussen bosmaaier, grasmaaier en gras trimmen.
- Gebruik persoonlijke beschermingsmiddelen, zie *Persoonlijke beschermingsuitrusting op pagina 161*.
- Langdurige blootstelling aan lawaai kan leiden tot permanent gehoorverlies. Gebruik altijd goedgekeurde gehoorbescherming.
- Let op alarmsignalen en luide stemmen wanneer u gehoorbescherming gebruikt. Doe uw gehoorbescherming altijd af wanneer de motor stopt.
- Gebruik het product nooit als het veranderd of defect is.
- Verzeker u ervan dat de bougiekop en startkabel onbeschadigd zijn om het risico van een elektrische schok te voorkomen.
- Kijk rond in het werkgebied en zorg ervoor dat personen, dieren of objecten de veilige werking van het product niet negatief kunnen beïnvloeden.
- Kijk rond in het werkgebied en zorg ervoor dat personen of dieren niet in aanraking komen met de snijuitrusting of dat zij geraakt worden door objecten die uit de snijuitrusting worden geworpen.



- Gebruik het product niet in een situatie of locatie waar u geen hulp kunt krijgen indien zich een ongeval voordoet.
- Gebruik het product niet zonder een goedgekeurde beschermkap van de snijuitrusting.
- Zorg ervoor dat personen of dieren op een minimale afstand van 15 m/50 ft blijven tijdens de werkzaamheden. Kijk altijd achter u voordat u zich met het product omdraait. Stop het product onmiddellijk als een persoon of dier de veiligheidszone van 15 m/50 ft betreedt. Neem een veiligheidsafstand van ten minste 2 maal de boomhoogte en een minimum van 15 m in acht als er meer dan 1 persoon in hetzelfde gebied werkt.
- Onderzoek het werkgebied. Vermijd losse objecten, zoals stenen, gebroken glas, spijkers, staaldraad en touw, die weggeslingerd kunnen worden of zich rondom de zaaguitrusting kunnen wikkelen.
- Zorg ervoor dat u veilig kunt bewegen en zorg voor een veilige houding. Controleer het gebied rondom u op obstakels zoals wortels, rotsen, takken en greppels. Wees voorzichtig bij het werken op hellingen.



- Voorkom overstrekken. Zorg altijd voor een stabiele positie van de voeten en een goed evenwicht.
- Leg het product, alvorens het te starten, op een vlakke ondergrond op minimaal 3 m van de brandstofbron vanwaar u brandstof bijvult. Zorg ervoor dat er geen objecten in de buurt zijn van of in aanraking komen met de snijuitrusting.
- Laat een servicemonteur de rotatiesnelheid afstellen als de snijuitrusting stationair draait. Gebruik het product niet voordat het is afgesteld of gerepareerd.
- Kijk uit voor wegslingerende objecten. Draag altijd goedgekeurde oogbescherming en blijf uit de buurt van de beschermkap van de snijuitrusting. Stenen en andere kleine objecten kunnen in uw ogen schieten en blindheid of ander letsel veroorzaken.
- Wanneer de motor draait, mag u het product alleen neerzetten als u het goed in de gaten kunt houden.
- Verwijder het gesneden materiaal niet en laat het niet door anderen verwijderen, terwijl de motor aan is of de snijuitrusting draait. Dit kan ernstig letsel veroorzaken.
- Stop de motor altijd en zorg ervoor dat de snijuitrusting niet kan draaien alvorens materiaal te

verwijderen dat rond de bladas is gewikkeld of vastzit tussen de beschermkap van de snijuitrusting en de snijuitrusting.

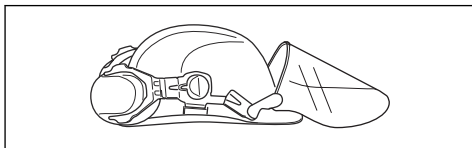
- Wees voorzichtig wanneer u in de buurt van de snijuitrusting materiaal verwijdert. De hoekoverbrenging wordt heet tijdens bedrijf en kan brandwonden veroorzaken.
- De uitlaatdampen van de motor zijn heet en kunnen vonken bevatten. Risico op brand. Wees voorzichtig met droog en brandbaar materiaal.
- Gebruik het product nooit binnenshuis of in ruimten zonder voldoende ventilatie. Uitlaatgassen bevatten koolmonoxide, een kleurloos, giftig en uiterst gevaarlijk gas.
- Stop de motor voordat u naar een nieuw werkgebied gaat. Bevestig altijd de transportbescherming voordat u de uitrusting verplaatst.
- Overmatige blootstelling aan trillingen kan leiden tot bloedvat- en zenuwbeschadigingen bij personen met een slechte bloedcirculatie. Consulteer uw dokter wanneer u symptomen waarneemt die wijzen op overmatige blootstelling aan trillingen. Voorbeelden van zulke symptomen zijn slapen, geen gevoel, "kriebels", "speldeprikken", pijn, geen of minder kracht, huidverkleuringen of veranderingen van het huidoppervlak. Deze symptomen worden meestal waargenomen in de vingers, handen of polsen. De risico's kunnen bij lage temperaturen toenemen.

### Persoonlijke beschermingsuitrusting

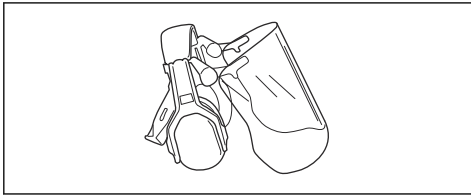


**WAARSCHUWING:** Lees de volgende waarschuwingen voordat u het product gaat gebruiken.

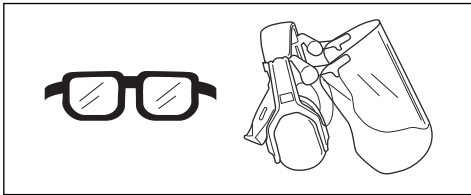
- Draag tijdens het gebruik van het product altijd goedgekeurde persoonlijke beschermingsuitrusting. Persoonlijke beschermingsuitrusting kunnen niet alle risico's uitsluiten maar kunnen de ernst van eventueel letsel helpen beperken. Vraag uw dealer u te helpen bij het kiezen van de juiste uitrusting.
- Gebruik een helm als de bomen in het werkgebied hoger zijn dan 2 m.



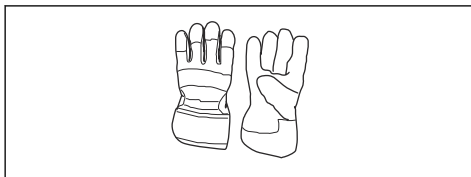
- Gebruik goedgekeurde gehoorbescherming.



- Gebruik goedgekeurde oogbescherming. Als u een vizier gebruikt, moet u ook een goedgekeurde veiligheidsbril gebruiken. Een goedgekeurde veiligheidsbril moet voldoen aan de norm ANSI Z87.1 voor de VS of EN 166 voor de EU-landen.



- Draag indien nodig handschoenen, bijvoorbeeld bij het monteren, inspecteren of reinigen van de snijuitrusting.



- Gebruik beschermende laarzen met stalen neuzen en antislipzolen.



- Gebruik kleding van stevige stof. Gebruik altijd een zware lange broek en lange mouwen. Gebruik geen loszittende kleding die gemakkelijk kan blijven haken aan takjes en struikgewas. Gebruik geen sieraden, korte broeken of sandalen. Werk nooit met blote voeten. Bind voor de veiligheid lang haar samen tot boven schouderhoogte.

- Houd de EHBO-does in de buurt.



## Veiligheidsvoorzieningen op het product

Voor meer informatie over waar u de veiligheidsvoorzieningen vindt, zie *Beschermkap voor snijuitrusting op pagina 163*.



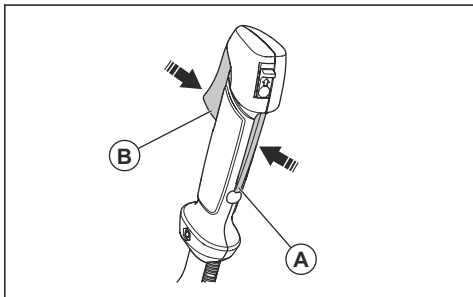
**WAARSCHUWING:** Lees de volgende waarschuwingen voordat u het product gaat gebruiken.

- Gebruik het product nooit wanneer de veiligheidsvoorzieningen defect zijn. Controleer de veiligheidsvoorzieningen regelmatig op een juiste werking en voer onderhoud uit. Als de veiligheidsvoorzieningen defect zijn, neem dan contact op met uw McCulloch servicewerkplaats.
- Voer geen veranderingen aan de veiligheidsvoorzieningen uit. U mag het product niet gebruiken als afschermingen, veiligheidsschakelaars of andere veiligheidsvoorzieningen ontbreken of defect zijn.
- Voor alle onderhouds- en reparatiewerkzaamheden aan het product, met name ten aanzien van de veiligheidsvoorzieningen, is speciale training nodig. Als de veiligheidsvoorzieningen de in deze gebruikershandleiding voorgeschreven controles niet doorstaan, moet u contact opnemen met de servicewerkplaats. Wij garanderen de beschikbaarheid van professionele reparaties en onderhoud. Indien uw dealer geen servicewerkplaats heeft, vraag hem dan naar de dichtstbijzijnde servicewerkplaats.
- Gebruik geen snijuitrusting zonder een goedgekeurde en correct bevestigde beschermkap. Zie *Technische gegevens op pagina 180*.

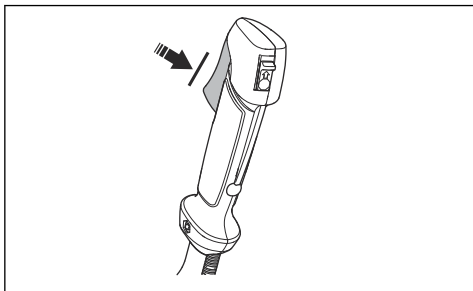
## Gashendelvergrendeling controleren

De gashendelvergrendeling is geconstrueerd om onopzettelijke activering van de gashendel te voorkomen.

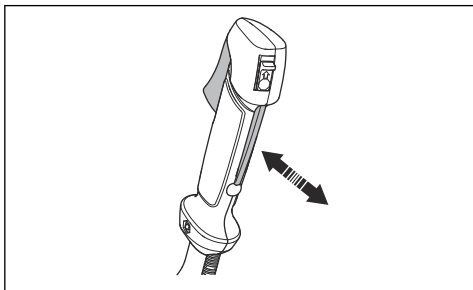
1. Druk de gashendelvergrendeling (A) in en controleer of de gashendel wordt ontgrendeld (B). Wanneer u het handvat loslaat, gaan zowel de gashendel als de gashendelvergrendeling terug naar hun respectievelijke beginposities. Dit gebeurt via twee werkende retourveren. Deze positie houdt in dat de gashendel automatisch vergrendeld wordt op stationair draaien.



2. Controleer of de gashendel vergrendeld is in de stationaire stand wanneer de gashendelvergrendeling in de oorspronkelijke stand staat.

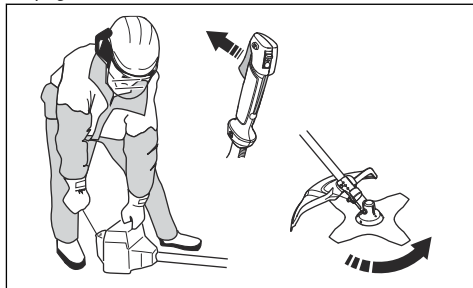


3. Druk de gashendelvergrendeling in en controleer of hij teruggaat naar de beginpositie wanneer u deze loslaat.



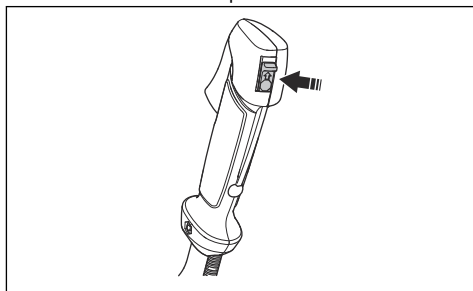
4. Controleer of de gashendel en de gashendelvergrendeling vrij bewegen en of hun retourveren goed werken.
5. Start het product (zie instructies onder *Starten en stoppen op pagina 172*) en geef volgas.

6. Laat de gashendel los en controleer of de snijuitrusting stopt en stil blijft staan. Stel de carburateur af als de snijuitrusting beweegt met de gashendel in de stationaire stand. Zie de instructies in het hoofdstuk *Stationair toerental afstellen op pagina 178*.



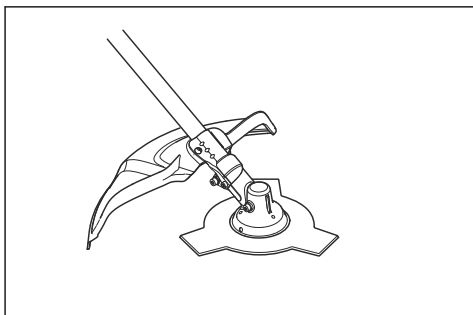
### Stopschakelaar controleren

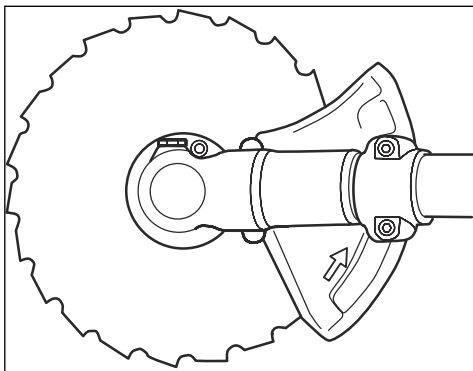
1. Start de motor.
2. Zet de stopschakelaar in de stopstand en zorg ervoor dat de motor stopt.



### Beschermkap voor snijuitrusting

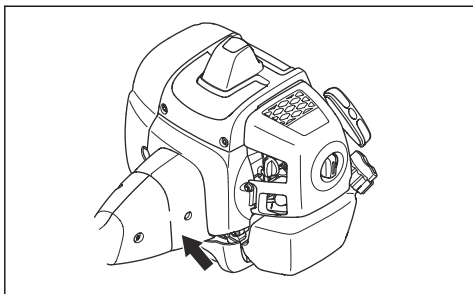
De beschermkap van de snijuitrusting voorkomt dat losse objecten in de richting van de gebruiker kunnen vliegen. Controleer de beschermkap van de snijuitrusting op schade en vervang hem indien hij beschadigd is. Gebruik alleen de goedgekeurde beschermkap voor de snijuitrusting.





### Trillingsdempingssysteem controleren

Het trillingsdempingssysteem vermindert trillingen in de handgrepen tot een minimum wat de bediening vergemakkelijkt.



1. Stop de motor.
2. Voer een visuele controle uit op vervorming en beschadiging, bijvoorbeeld scheuren.
3. Zorg ervoor dat de elementen van het trillingsdempingssysteem correct zijn bevestigd.

### Het mechanisme voor snelle ontgrendeling controleren

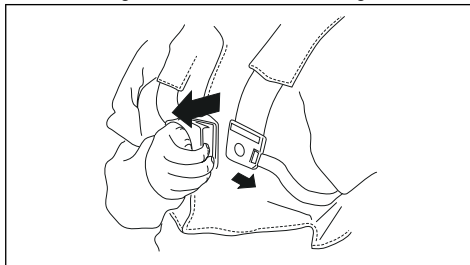


**WAARSCHUWING:** Gebruik geen draagstel met een defect mechanisme voor snelle ontgrendeling.

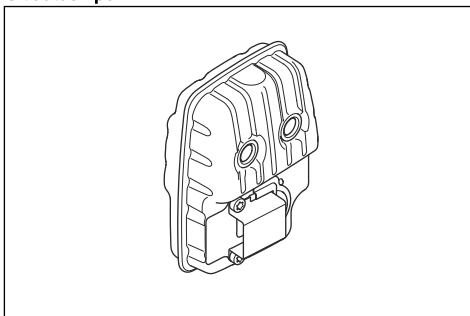
Met het mechanisme voor snelle ontgrendeling kan de gebruiker in noodgevallen het product snel van het draagstel verwijderen.

1. Stop de motor.
2. Voer een visuele controle uit op beschadiging, bijvoorbeeld scheuren.

3. Maak het mechanisme voor snelle ontgrendeling los en bevestig het weer om te zien of het goed werkt.



### Uitlaatdemper



- Gebruik geen motor met een beschadigde geluiddemper. Een beschadigde geluiddemper laat het geluidniveau stijgen en vergroot het risico van brand. Zorg dat er een brandblusser in de buurt is.
- Controleer regelmatig of de geluiddemper aan het product is bevestigd.
- Raak de motor en de geluiddemper niet aan terwijl de motor is ingeschakeld. Raak de motor en de geluiddemper een tijdje niet aan nadat de motor is uitgeschakeld. Hete oppervlakken kunnen letsel veroorzaken.
- Een hete geluiddemper kan brand veroorzaken. Let op als u het product in de buurt van ontvlambare vloeistoffen of dampen gebruikt.
- Raak geen onderdelen van de geluiddemper aan als de geluiddemper beschadigd is. De onderdelen kunnen kankerverwekkende chemicaliën bevatten.
- Reinig het vonkenscherm regelmatig als het product deze heeft.

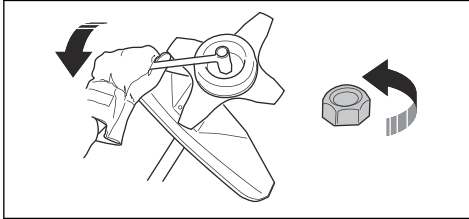
### De borgmoer bevestigen en verwijderen



**WAARSCHUWING:** Stop de motor, gebruik veiligheidshandschoenen en wees voorzichtig rond de scherpe randen van de snijtrusting.

Er wordt een borgmoer gebruikt om een aantal soorten snijtrusting te bevestigen. De borgmoer heeft een linkse schroefdraad.

- Om te bevestigen draait u de borgmoer tegen de rotatierichting van de snijuitrusting in vast.
- Om de borgmoer te verwijderen, draait u de borgmoer los in de rotatierichting van de snijuitrusting.
- Om de borgmoer los en vast te draaien, gebruikt u een dopsleutel met een lange steel. De pijl in de afbeelding toont het gebied waar u de dopsleutel kunt gebruiken.



**WAARSCHUWING:** Wanneer u de borgmoer los- en vastdraait, zou u zich kunnen verwonden aan het blad. Zorg er altijd voor dat de bladbeschermkap voorkomt dat u uw hand verwondt wanneer u dit doet.

**Let op:** Zorg ervoor dat u de borgmoer niet met de hand kunt draaien. Vervang de moer als de nylonborgring een weerstand heeft van minder dan 1,5 Nm. De borgmoer moet worden vervangen nadat deze ca. 10 keer los en vast is gedraaid.

## Snijuitrusting

Selecteer de juiste snijuitrusting en onderhoud deze zodat u:

- Een optimaal maieresultaat krijgt.
- De levensduur van de snijuitrusting verlengt.
- Volg de instructies voor controle, onderhoud en service voor de geluiddemper.
- Gebruik altijd de goedgekeurde beschermkap voor de snijuitrusting. Zie de technische gegevens.



**WAARSCHUWING:** Gebruik een snijuitrusting alleen samen met de door ons aanbevolen beschermkappen! Zie het hoofdstuk Technische gegevens. Zie de instructies voor de snijuitrusting voor het correct invoeren van de draad en de keuze van de juiste diameter voor de trimmerdraad.



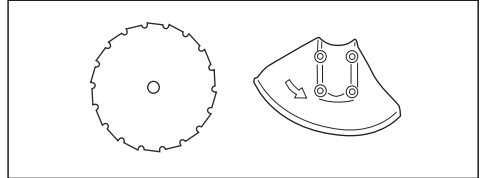
**WAARSCHUWING:** Het gebruik van defecte snijuitrusting kan het risico op ongevallen vergroten.



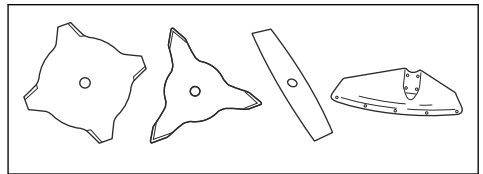
**WAARSCHUWING:** Schakel altijd de motor uit voor u aan de snijuitrusting begint te werken. De snijuitrusting blijft roteren nadat u de gashendel hebt losgelaten. Controleer of de snijuitrusting volledig tot stilstand is gekomen en koppel de bougiekap los voordat u werkzaamheden gaat uitvoeren.

## Snijuitrusting

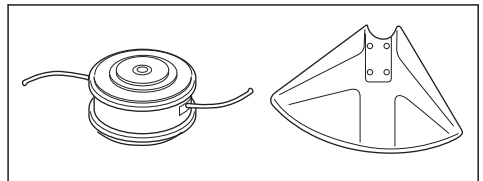
- Gebruik het zaagblad voor het zagen van vezelachtige houtsoorten.



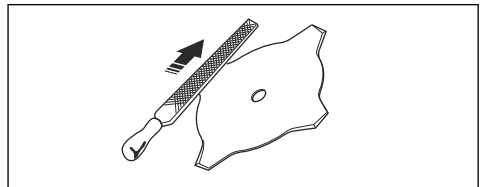
- Gebruik de messen en grasmessen om grof gras te maaien.



- Gebruik de trimmerkop om gras te maaien.



- Een verkeerd geslepen of beschadigd blad verhoogt het risico op ongelukken. Houd de snijtanden van het blad juist geslepen. Volg de instructies in *Scherpen van grasses en grasmaaiblad op pagina 166* en gebruik de aanbevolen vijlmal.

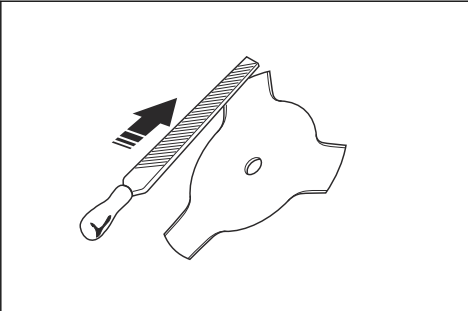


- Controleer de snijuitrusting op beschadiging en scheuren. Vervang de snijuitrusting indien deze beschadigd is.

- Gebruik een snijuitrusting alleen samen met aanbevolen beschermkappen. Zie *Technische gegevens op pagina 180*.

### Messen

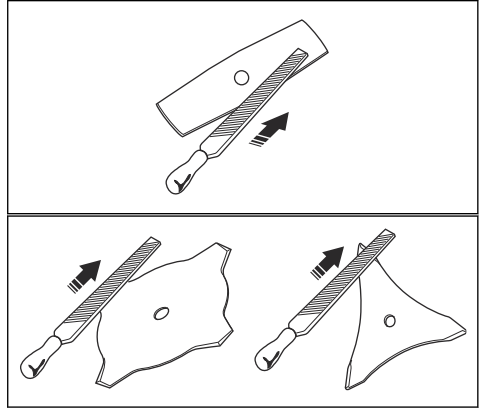
- Gebruik het product met een goedgekeurd maaiblad. Gebruik geen maaiblad zonder dat de overige vereiste onderdelen naar behoren zijn aangebracht. Zorg dat de installatie op de juiste manier is uitgevoerd en dat de juiste onderdelen zijn gebruikt. Door een onjuiste installatie kan het blad worden weggeslingerd en ernstig letsel toebrengen aan de gebruiker en/of omstanders.
- Draag veiligheidshandschoenen wanneer u het maaiblad hanteert of onderhoud uitvoert.
- Gebruik hoofdbescherming wanneer u een product met een maaiblad gebruikt.
- Een maaiblad kan letsel veroorzaken als het nog draait nadat de motor wordt uitgeschakeld of de gashendel wordt losgelaten. Zorg ervoor dat het maaiblad volledig tot stilstand is gekomen voordat u onderhoudswerkzaamheden uitvoert.
- Schakel de motor uit voordat u werkzaamheden aan de snijuitrusting uitvoert. Zorg ervoor dat de snijuitrusting volledig tot stilstand komt. Koppel de kabel van de bougie los.
- Houd de snijtanden van het blad goed en juist geslepen.



- Gebruik nooit beschadigde snijuitrusting.
- Bevestig de transportbeveiliging op het maaiblad wanneer u het product vervoert of opslaat.

### Scherpen van grasmessen en grasmaaiblad

- Vijl alle snijkanten van de grasmaaibladeren en -messen gelijkmatig om de balans te bewaren. Gebruik een platte vijl met enkele kapping.

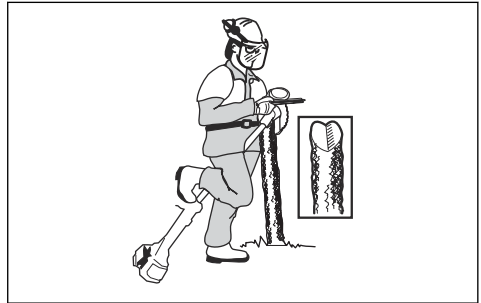


### Zaagblad slijpen

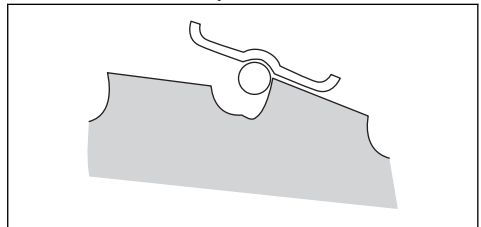


**WAARSCHUWING:** Stop de motor. Draag beschermende handschoenen.

- Raadpleeg de meegeleverde instructies voor het correct slijpen van het blad.
- Zorg ervoor dat het product en het blad voldoende steun hebben wanneer u het slijpt.

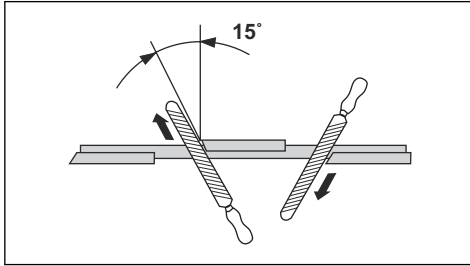


- Gebruik een ronde vijl van 5,5 mm (7/32 inch) in combinatie met een vijlhouder.



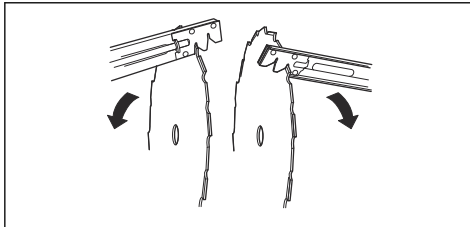
- Houd de vijl in een hoek van 15°.

- Slijp één tand van het zaagblad naar rechts en de volgende tand naar links, zie de afbeelding.



**Let op:** Slijp de randen van de tanden met een platte vijl als het blad zwaar versleten is. Ga verder met slijpen met een ronde vijl.

- Slijp alle snijkanten gelijkmatig om het blad in balans te houden.
- Pas de bladinstelling aan op 1 mm (0,04 inch) met het aanbevolen instellingsgereedschap. Raadpleeg de met het blad meegeleverde instructies.

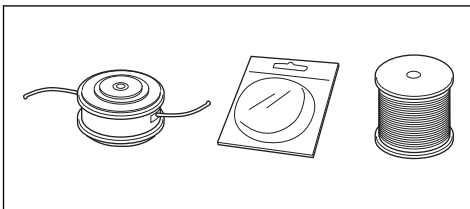


**WAARSCHUWING:** Gooi een blad dat beschadigd is altijd weg. Probeer niet om een verbogen of verdraaid blad recht te buigen en opnieuw te gebruiken.

#### Trimmerkop



**WAARSCHUWING:** Zorg er altijd voor dat de trimmerdraad strak en gelijkmatig rond de trommel is gewikkeld om schadelijke trillingen te voorkomen.



- Gebruik alleen aanbevolen trimmerkoppen en trimmerdraden.
- Gebruik alleen de aanbevolen snijuitrusting.

- Kleinere machine hebben over het algemeen kleine trimmerkoppen nodig en omgekeerd.
- De lengte van de trimmerdraad is belangrijk. Een langere draad vereist een groter motorvermogen dan een korte, ook al is de diameter van de draad even groot.
- Zorg ervoor dat het mes dat op de trimmerbeschermkap zit, niet beschadigd is. Hiermee wordt de trimmerdraad op de juiste lengte gesneden.
- Om de levensduur van de trimmerdraad te verlengen, kunt u deze een paar dagen in water weken voorafgaand aan gebruik.

#### Brandstofveiligheid

- Start het product niet als er brandstof of motorolie op het product aanwezig is. Verwijder de ongewenste brandstof/olie en laat het product drogen. Verwijder ongewenste brandstof van het product.
- Als u brandstof op uw kleding morst, trek dan direct andere kleding aan.
- Zorg dat er geen brandstof op uw lichaam terecht komt, dit kan letsel veroorzaken. Als er brandstof op uw lichaam terecht komt, verwijder deze dan met water en zeep.
- Start de motor niet als u brandstof op het product of op uw lichaam hebt gemorst.
- Start het product niet als er sprake is van een motorlekkage. Controleer de motor regelmatig op lekkage.
- Wees voorzichtig met brandstof. Brandstof is licht ontvlambaar en de dampen zijn explosief. Ze kunnen letsel veroorzaken of leiden tot de dood.
- Adem geen brandstofdampen in, dit kan letsel veroorzaken. Zorg voor voldoende ventilatie.
- Rook niet in de buurt van de brandstof of de motor.
- Plaats geen warme voorwerpen in de buurt van de brandstof of de motor.
- Vul geen brandstof bij terwijl de motor is ingeschakeld.
- Zorg ervoor dat de motor koud is wanneer u brandstof bijvult.
- Draai de tankdop langzaam open en laat de druk voorzichtig ontsnappen voordat u brandstof bijvult.
- Vul geen brandstof voor de motor bij in een afgesloten ruimte. Onvoldoende ventilatie kan leiden tot ernstig letsel of de dood door verstikking of het inademen van koolmonoxide.
- Draai de tankdop goed vast, zodat er geen brand kan ontstaan.
- Verplaats het product minstens 3 m (10 ft) van de plaats waar u de brandstoftank hebt gevuld, voordat u het product start.
- Doe niet te veel brandstof in de brandstoftank.
- Zorg dat er geen brandstof wordt gemorst wanneer u het product of de jerrycan met brandstof verplaatst.
- Plaats het product of de jerrycan met brandstof niet op een plaats waar deze wordt blootgesteld aan

open vuur, vonken of waakvlammen. Zorg dat er geen open vuur aanwezig is in de opslagruimte.

- Gebruik alleen goedgekeurde jerrycans voor het verplaatsen of opslaan van brandstof.
- Leeg de brandstoftank voordat het product gedurende lange tijd wordt opgeslagen. Neem lokale wetgeving in acht voor het afvoeren van brandstof.
- Reinig het product voordat het gedurende lange tijd wordt opgeslagen.

- Verwijder de bougiekabel voordat het product wordt opgeslagen, zodat de motor niet onbedoeld kan starten.

## Veiligheidsinstructies voor onderhoud

- Neem contact op met uw servicepunt als het stationaire toerental niet zo kan worden afgesteld dat de snijuitrusting stopt. Gebruik het product niet voordat het correct is afgesteld of gerepareerd.

## Montage



**WAARSCHUWING:** Lees het hoofdstuk over veiligheid voordat u het product monteert.

### Inleiding



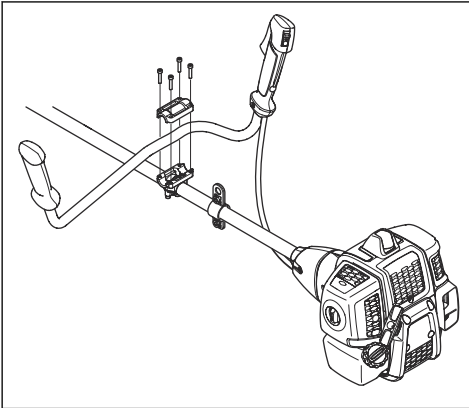
**WAARSCHUWING:** Voordat u het product gaat monteren, dient u het hoofdstuk over veiligheid te lezen en hebben begrepen.



**WAARSCHUWING:** Verwijder de bougiekabel van de bougie voordat u het product monteert.

### Handgreep installeren

1. Bevestig de handgreep op de montagesteun zoals weergegeven.



### Monteren van bladen en trimmerkoppen



**WAARSCHUWING:** Gebruik alleen de goedgekeurde beschermkap voor de bladen. Zie *Technische gegevens op pagina*

180. Een defecte kap kan letsel veroorzaken.

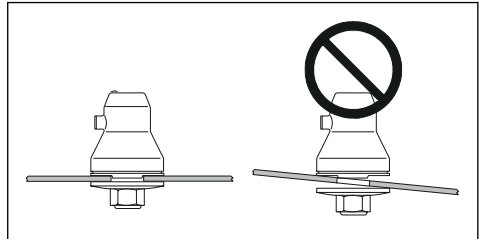


**WAARSCHUWING:** Als u het product met een grasmaaiblad gebruikt, dient u eerst de juiste handgreep, beschermkap van het maaiblad en draagstel te monteren.



**WAARSCHUWING:** Als u de maaibladeren niet naar behoren monteert, dan kan dit letsel veroorzaken.

1. Zorg dat het hoger liggende deel van de meenemer/steunflens goed in het midden van de bladen valt.
2. Breng de bladen aan.



### Monteren van bladbeschermkap, grasmaaiblad en grasmaes



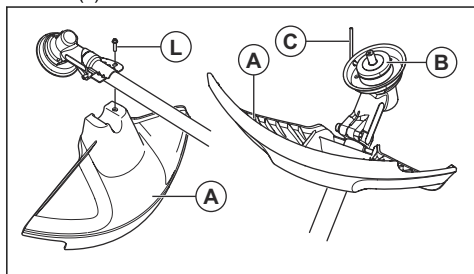
**OPGELET:** Gebruik alleen de goedgekeurde beschermkap voor de bladen. Zie de bedieningshandleiding.



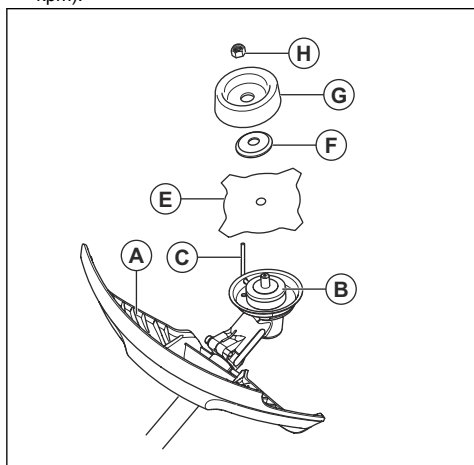
**OPGELET:** Controleer of de verlenging van de beschermkap is verwijderd.



1. Monteer de bladbeschermkap/beschermkap van de snijuitrusting (A) op de steel en zet deze vast met de bout (L).



2. Monteer de meenemer (B) op de uitgaande as.
3. Draai de uitgaande as totdat een van de openingen in de meenemer op één lijn ligt met de overeenkomstige opening in het tandwielhuis.
4. Breng de borgpen (C) aan in de opening om de as te vergrendelen.
5. Plaats het maaiblad (E), de steunflens (F) en de steunkop (G) op de uitgaande as.
6. Breng de moer (H) aan. Houd de steel van de dopsleutel zo dicht mogelijk bij de bladbeschermkap vast. Om de moer vast te draaien, moet u de dopsleutel tegen de draairichting in draaien. Draai de moer vast met een moment van 35-50 Nm (3,5-5 kpm).

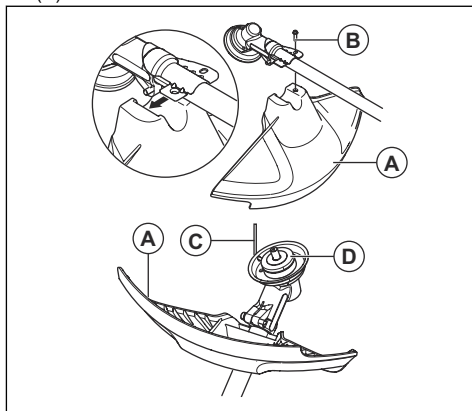


**Let op:** Linkse schroefdraad.

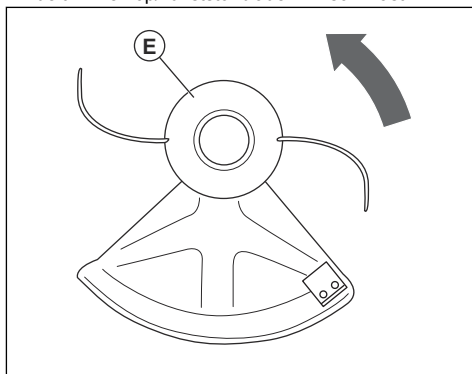
### De trimmerbeschermkap en de trimmerkop monteren

**Let op:** Zorg dat u de juiste trimmerbeschermkap voor de juiste trimmerkop gebruikt.

1. Bevestig de juiste trimmerbeschermkap/ combibeschermpak (A) voor de trimmerkop.
2. Monteer de trimmerbeschermkap/ combibeschermpak rond de as en draai deze vast met de bout (B). Gebruik de borgpen of inbussleutel (C).



3. Leg de borgpen of inbussleutel (C) in de groef op de kop van de bout en zet vast.
4. Bevestig de meenemer (D) op de uitgaande as.
5. Draai de uitgaande as rond tot een van de openingen van de meenemer samenvalt met de overeenkomstige opening in het transmissiehuis.
6. Monteer de borgpen of inbussleutel (C) in de opening om de as te vergrendelen.
7. Monteer de trimmerkop/kunststof bladen (E). Draai de trimmerkop/kunststof bladen linksom vast.



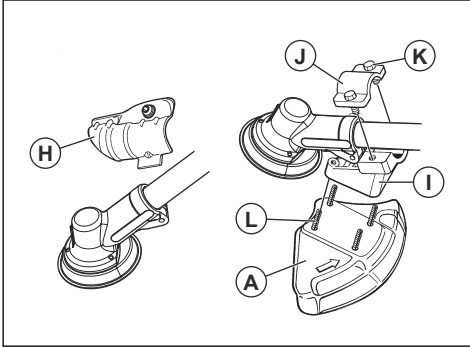
8. Ga voor het demonteren in omgekeerde volgorde van de instructies te werk.

### De beschermkap en het zaagblad monteren

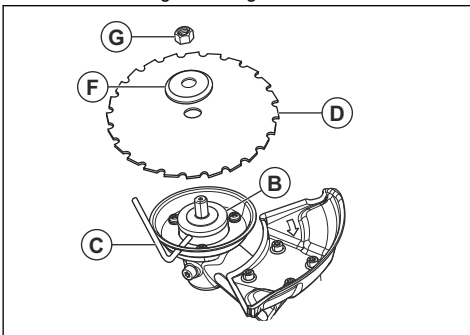


**OPGELET:** Gebruik alleen de goedgekeurde beschermkap voor de

1. Verwijder de bevestigingsplaat (H).
2. Monteer de adapter (I) en de klem (J) met de twee bouten (K).
3. Monteer de beschermkap (A) met de 4 bouten (L) op de adapter.

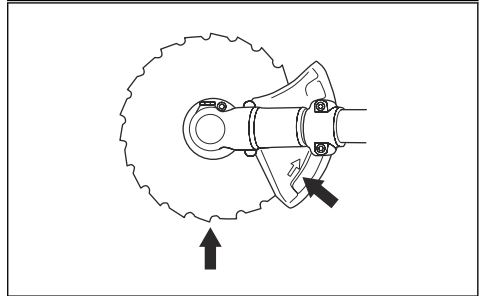
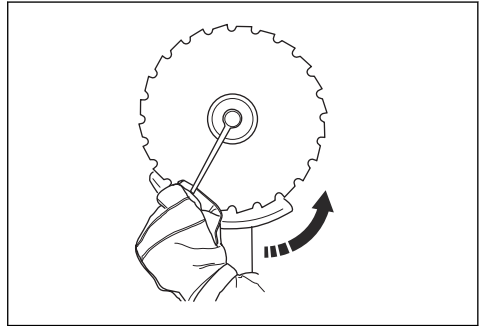


4. Monteer de meenemer (B) op de uitgaande as.
5. Draai de bladas rond tot één van de openingen van de meenemer samenvalt met de overeenkomstige opening in het transmissiehuis.
6. Duw de borgpin (C) in de opening zodat de as vergrendeld wordt.
7. Plaats het maaiblad (D) en de steunflens (F) op de uitgaande as.
8. Breng de moer (G) aan. De moer moet met een aanhaalmoment van 35-50 Nm (3,5-5 kpm) worden aangehaald. Gebruik de dopsleutel uit de gereedschapssset. Houd de steel van de dopsleutel zo dicht mogelijk bij de bladbeschermkap vast. De moer wordt vastgedraaid wanneer de sleutel tegen de rotatierichting in wordt gedraaid.



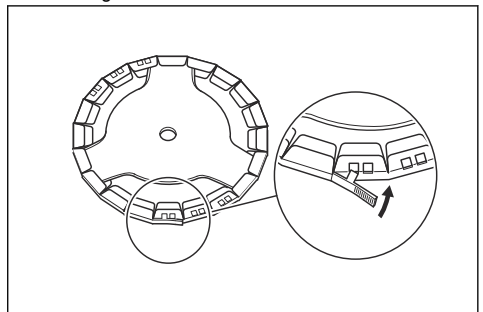
**Let op:** Linkse schroefdraad.

9. Bij het los- en vastdraaien van de zaagbladmoer zou u zich kunnen verwonden aan de zaagtanden. Zorg er daarom altijd voor dat uw hand wordt afgeschermd door de bladbeschermkap. Dit is makkelijker bij gebruik van een voldoende lange dopsleutel. De pijl in de afbeelding geeft het gebied aan waar u de inbussleutel moet gebruiken bij het los- respectievelijk vastdraaien.



## De transportbescherming bevestigen

1. Bevestig de transportbescherming aan het blad zoals afgebeeld.



## Draagstel afstellen



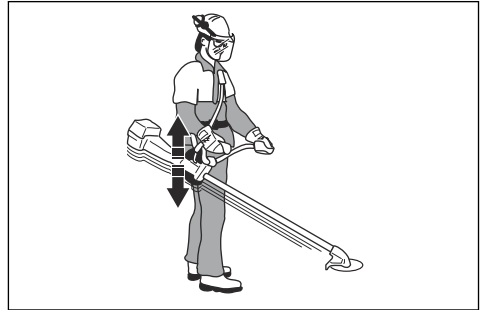
**WAARSCHUWING:** Het product moet altijd stevig aan het draagstel worden vastgehaakt. Als dit niet het geval is, kunt u het product niet veilig bedienen en dit kan leiden tot letsel bij uzelf en anderen. Gebruik

nooit een defect product. Gebruik geen draagstel met een defecte snelontgrendeling.

1. Doe het draagstel om.
2. Sluit het product aan op het stopcontact.
3. Stel het draagstel af voor de beste werkhouding.
4. Verstel de schouderband zodanig dat het product gelijkmatig op uw schouders weegt.



5. Stel het draagstel zodanig af dat de snijtrusting parallel aan de grond is.



6. Laat de snijtrusting licht tegen de grond rusten. Stel vervolgens de klem van het draagstel zodanig af dat het product goed in evenwicht is.

**Let op:** Als u een grasmaaiblad gebruikt, moet dit ongeveer 10 cm/4 inch boven de grond blijven.

## Werking



**WAARSCHUWING:** Lees en begrijp het hoofdstuk over veiligheid voordat u het product gebruikt.

### Inleiding



**WAARSCHUWING:** Voordat u het product gaat gebruiken, dient u het hoofdstuk over veiligheid te lezen en hebben begrepen.

### Brandstof

Dit product is uitgerust met een tweetaktmotor.



**OPGELET:** Een verkeerde soort brandstof kan leiden tot motorschade. Gebruik een mengsel van benzine en tweetaktolie.

### Voorgemengde brandstof

- Gebruik voorgemengde McCulloch-alkylaatbrandstof voor optimale prestaties en een lange levensduur van de motor. Deze brandstof bevat minder schadelijke stoffen dan reguliere brandstof waardoor de uitstoot van schadelijke uitlaatgassen wordt beperkt. Bij gebruik van deze brandstof blijven er minder verbrandingsresten in de motor achter waardoor de onderdelen van de motor schoner blijven.

### Brandstof mengen

#### Benzine

- Gebruik hoogwaardige loodvrije benzine met maximaal 10% ethanol (E10).



**OPGELET:** Gebruik geen benzine met een octaangetal lager dan 90 RON/87 AKI. Een lager octaangetal kan leiden tot pingelen van de motor wat tot motorschade kan leiden.

#### Tweetaktolie

- Gebruik voor de beste resultaten en optimale prestaties McCulloch tweetaktolie.
- Als geen McCulloch tweetaktolie beschikbaar is, gebruik dan een andere hoogwaardige tweetaktolie voor luchtgekoelde motoren. Bespreek de keuze van de tweetaktolie met uw servicedealer.



**OPGELET:** Gebruik geen tweetaktolie die bedoeld is voor watergekoelde buitenboordmotoren, zogenaamde outboardoil. Gebruik geen olie die is bedoeld voor viertaktmotoren.

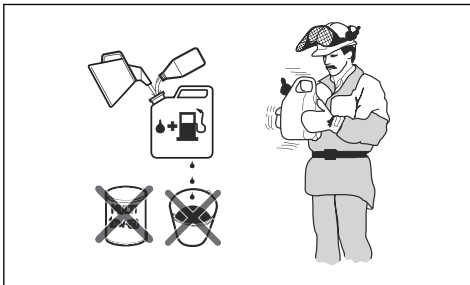
#### Benzine en tweetaktolie mengen

Benzine, liter	Tweetaktolie, liter
	2% (50:1)

5	0,10
10	0,20
15	0,30
20	0,40
<b>Us gallon</b>	<b>US fl. oz.</b>
1	2 ½
2 1/2	6 ½
5	12 ½



**OPGELET:** Wanneer u kleine hoeveelheden brandstof mengt, kunnen kleine fouten grote gevolgen hebben voor de mengverhouding. Meet de hoeveelheid olie nauwkeurig af om het juiste mengsel te verkrijgen.



1. Giet de helft van de benzine in een schone brandstofbestendige houder.
2. Voeg de volledige hoeveelheid olie toe.
3. Schud het brandstofmengsel.
4. Giet de resterende hoeveelheid benzine in de houder.
5. Schud het brandstofmengsel grondig.



**OPGELET:** Meng maximaal de hoeveelheid brandstof die u nodig hebt voor 1 maand.

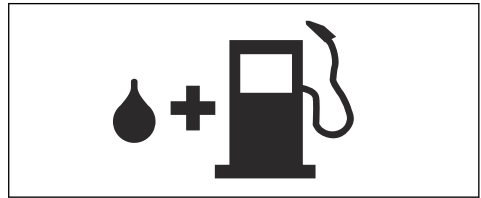
## Brandstoftank vullen



**WAARSCHUWING:** Houd u voor uw eigen veiligheid aan de volgende procedure.

1. Stop de motor en laat de motor afkoelen.

2. Maak het gebied rondom de brandstoftankdop goed schoon.



3. Schud de container en zorg ervoor dat de brandstof volledig is gemengd.
4. Draai de brandstoftankdop langzaam los om de druk te laten ontsnappen.
5. Vul de brandstoftank.



**OPGELET:** Zorg dat er niet te veel brandstof in de brandstoftank zit. De brandstof zet uit wanneer deze heet wordt.

6. Draai de tankdop volledig vast.
7. Verwijder gemorste brandstof op en rond het product.
8. Verwijder het product altijd ten minste 3 m uit de buurt van de tankplaats en brandstofbron voordat u het product gaat starten.

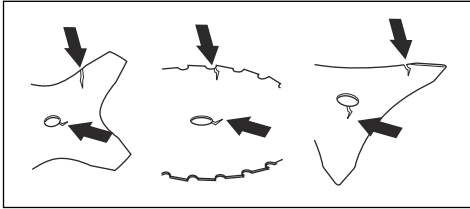
**Let op:** Zie *Productoverzicht op pagina 158* om te zien waar de brandstoftank op uw product is.

## Starten en stoppen

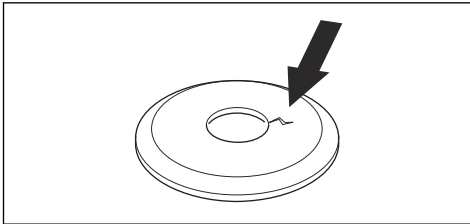
### Voordat u het product gaat bedienen

- Controleer het werkgebied zodat u op de hoogte bent van het soort terrein, de helling van de ondergrond en of er obstakels zoals stenen, takken en greppels zijn.
- Voer een revisie-inspectie van het product uit.
- Voer de veiligheidsinspecties, onderhoud en servicebeurten uit die in deze handleiding worden aangegeven.
- Zorg dat alle afschermingen en beschermkappen, handgrepen en de snijuitrusting correct zijn aangebracht en onbeschadigd zijn.
- Zorg dat er geen scheuren zijn aan de onderkant van het zaagblad, de grasmaaiblattanden of bij de

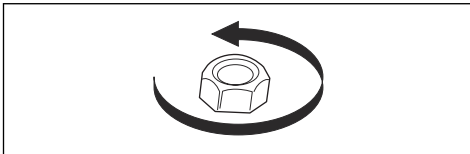
opening in het midden van het blad. Vervang het blad als dit beschadigd is.



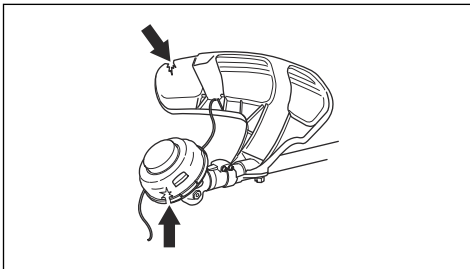
- Controleer de steunflens op scheuren. Vervang de steunflens als deze beschadigd is.



- Controleer of de borgmoer niet handmatig kan worden verwijderd. Als u de borgmoer handmatig kunt verwijderen, wordt de snijuitrusting niet afdoende vergrendeld en moet u de moer vervangen.



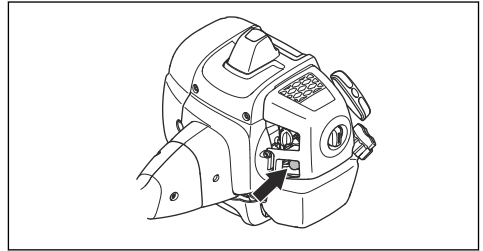
- Controleer de bladbeschermkap op beschadigingen of scheuren. Vervang de bladbeschermkap als hij geraakt is of scheuren heeft.
- Controleer de trimmerkop en de beschermkap voor de snijuitrusting op beschadigingen of scheuren. Vervang de trimmerkop en de beschermkap voor de snijuitrusting als ze geraakt zijn of scheuren hebben.



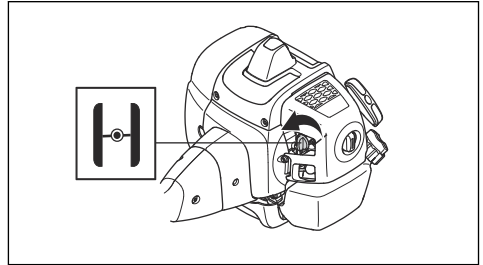
## De motor starten

1. Plaats het product op een vlakke en stabiele ondergrond. Hou tijdens het maaien de snijuitrusting van de grond.

2. Druk de balg van de brandstofpomp steeds opnieuw in, totdat de balg wordt gevuld met brandstof. Het is niet nodig de primerbalg volledig te vullen.

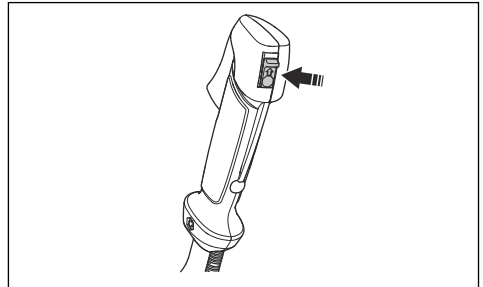


3. Zet de chokehendel in de chokestand.

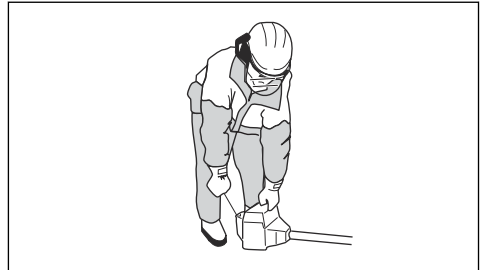


**WAARSCHUWING:** De snijuitrusting begint onmiddellijk te draaien wanneer u de motor start met de choke.

4. Zet de start/stopschakelaar in de werkstand.



5. Druk de behuizing van het apparaat met uw linkerhand op de grond.



6. Houd het startkoord in uw rechterhand.
7. Trek met uw rechterhand langzaam aan het startkoord totdat u enige weerstand voelt.



**WAARSCHUWING:** Wikkel het startkoord niet rond uw hand.

8. Trek snel en krachtig aan de koord. Trek steeds opnieuw het startkoord uit tot de motor start.

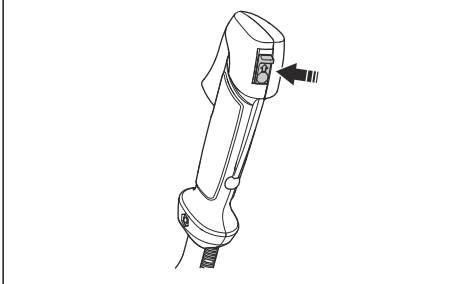


**OPGELET:** Trek het startkoord niet volledig uit en laat de starthendel niet zomaar los wanneer het startkoord volledig uitgetrokken is. Dit kan schade aan het product veroorzaken.

9. Zet de choke terug als de motor aanslaat.
10. Bedien de gashendel geleidelijk zodra de motor start.
11. Zorg ervoor dat de motor soepel draait en laat de motor 1-2 minuten warm worden voordat u hem gebruikt.

## Product stoppen

- Druk de stopschakelaar in om de motor te stoppen.



## Terugslag

- Een terugslag is een plotselinge beweging van het product naar de zijkant, naar voren of naar achteren. Een terugslag vindt plaats wanneer het grasmaaiblad een object raakt dat niet kan worden gemaaid. Op plaatsen waar u moeilijk kunt zien wat u maait, is er een groter risico op terugslag.
- Bij een terugslag bestaat het risico dat het product of de gebruiker uit zijn positie wordt gebracht. Een bewegend blad kan omstanders raken en er is kans op letsel.
- Gooi een blad dat verbogen is, scheuren vertoont of gebroken of beschadigd is, weg.
- Gebruik een scherp blad. Het risico op terugslag is groter als het blad niet scherp is.

## Algemene werkinstructies

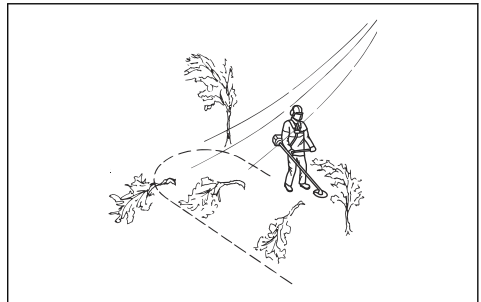


**WAARSCHUWING:** Wees voorzichtig wanneer u een boom zaagt die gespannen staat. Hij kan terugspringen terug naar zijn normale positie vóór of na het zagen en u of het product raken en letsel veroorzaken.

- Zorg voor een open ruimte aan één kant van het werkgebied en begin vanaf daar met de werkzaamheden.
- Beweeg in een regelmatig patroon over het werkgebied.



- Verplaats het product helemaal naar links en rechts om een breedte van 4 tot 5 m bij elke draai te maken.
- Maak een lengte vrij van 75 m voordat u omdraait en terug gaat. Verplaats de jerrycan met benzine met u mee.
- Verplaats u in een richting waar u zo min mogelijk over greppels en obstakels gaat.
- Verplaats u in de richting waar de wind zorgt dat de gesneden vegetatie in het vrijgemaakte gebied valt.



- Verplaats u langs hellingen, niet op en neer.

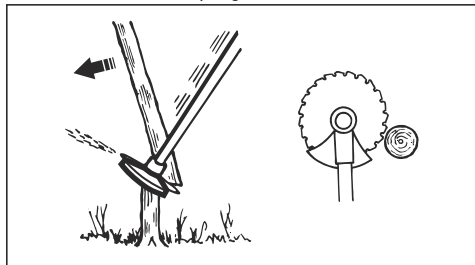
## Bosmaaien met een zaagblad

### Een boom naar links vellen

Het onderste gedeelte van de boomstam moet naar rechts worden geduwd om naar links te vellen.

1. Geef volgas.

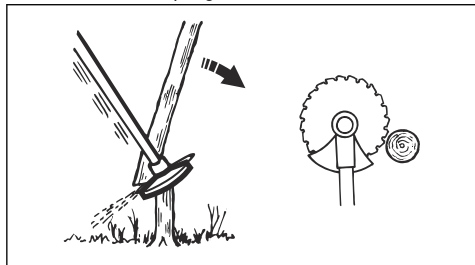
2. Zet het zaagblad tegen de boom aan zoals in de afbeelding is weergegeven.
3. Kantel het zaagblad en duw deze met kracht schuin naar beneden en naar rechts. Duw tegelijkertijd met de bladbeschermkap tegen de boomstam.



### Een boom naar rechts vellen

Het onderste gedeelte van de boomstam moet naar links worden geduwd om naar rechts te vellen.

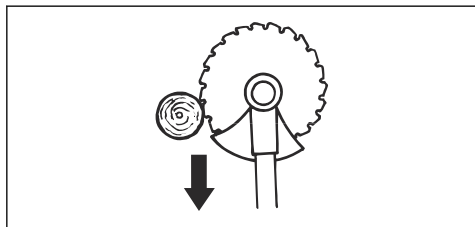
1. Geef volgas.
2. Zet het zaagblad tegen de boom aan zoals in de afbeelding is weergegeven.
3. Kantel het zaagblad en duw deze met kracht schuin naar boven en naar rechts. Duw tegelijkertijd met de bladbeschermkap tegen de boomstam.



### Boom voorwaarts vellen

Het onderste gedeelte van de boomstam moet naar achteren worden geduwd om voorwaarts te vellen.

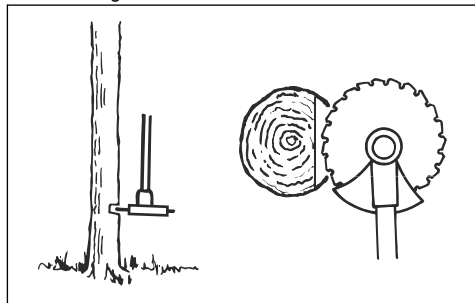
1. Geef volgas.
2. Zet het zaagblad tegen de boom aan zoals in de afbeelding is weergegeven.
3. Trek het zaagblad met een snelle beweging naar voren.



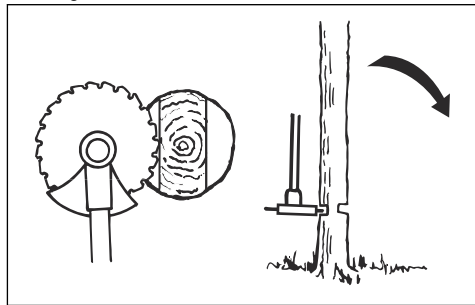
### Grote bomen vellen

Grote bomen moeten van 2 kanten worden gezaagd.

1. Beoordeel in welke richting de stam moet vallen.
2. Geef volgas.
3. Zet de eerste zaagsnede aan de kant van de valrichting van de boom.



4. Zaag de boom door vanaf de andere kant.



**OPGELET:** Als het zaagblad blokkeert, trek dan niet aan het product met een plotselinge beweging. Dat kan schade veroorzaken aan het zaagblad, de hoekoverbrenging, as of handgreep. Laat de hendels los, houd de as met beide handen vast en trek het product voorzichtig los.

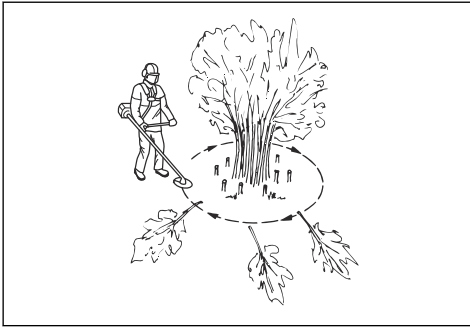
**Let op:** Gebruik meer zaagdruk om kleine bomen te vellen. Gebruik minder zaagdruk om grote bomen te vellen.

### Struiken maaien met zaagblad

Het onderste gedeelte van de boomstam moet naar rechts worden geduwd om naar links te vellen.

- Dunne bomen en struiken omzagen.
- Beweeg het product van de ene kant naar de andere kant.
- Zaag veel bomen in één beweging.

- Voor groepen van dunne bomen:



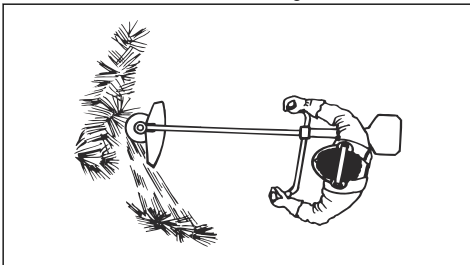
- a) Zaag de buitenste bomen hoog uit.
- b) Zaag de buitenste bomen op de juiste hoogte.
- c) Zaag vanuit het midden. Als u het midden niet kunt bereiken, zaagt u de buitenste bomen hoog uit en laat u ze vallen. Dit vermindert het risico dat het zaagblad geblokkeerd raakt.

## Grasmaaien met een grasmaaiblad



**OPGELET:** Gebruik geen grasmaaibladen en grasmessen op hout. Gebruik grasmaaibladen en grasmessen uitsluitend voor lang of ruw gras.

- Beweeg het product van de ene kant naar de andere kant.
- Start de beweging van rechts naar links wanneer u maait. Beweeg het product naar rechts voordat u opnieuw gaat maaien.
- Maai met de linkerkant van het grasmaaiblad.



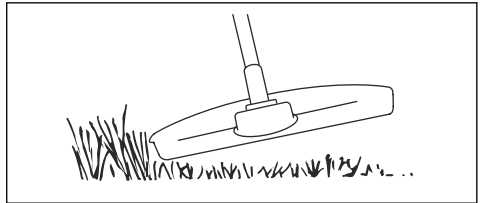
- Houd het grasmaaiblad een ietsje schuin naar links zodat het gras in een streng wordt gelegd. Dit maakt het eenvoudiger om het gras te verzamelen.
- Zorg voor een stabiele positie met uw voeten uit elkaar.
- Beweeg voorwaarts na iedere beweging naar rechts en zorg wederom voor een stabiele positie voordat u opnieuw gaat maaien.
- Houd de steunkop met een lichte druk op de grond om ervoor te zorgen dat het grasmaaiblad niet de grond raakt.

- Volg deze instructies op om het risico dat het maaisel zich rond het grasmaaiblad wikkelt, te verlagen:
  - a) Geef volgas.
  - b) Ga niet met het grasmaaiblad door het maaisel wanneer u het product van links naar rechts beweegt.
- Stop de motor en verwijder het product los van het draagstel voordat u het maaisel verzamelt. Plaats het product op de grond.

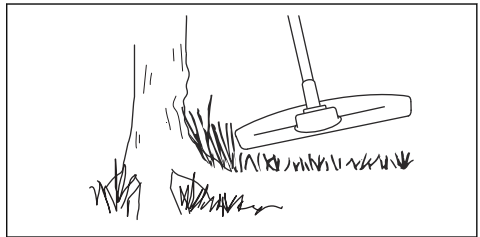
## Gras trimmen met trimmerkop

### Gras trimmen

1. Houd de trimmerkop vlak boven de grond en schuin. Druk de grastrimmerdraad niet in het gras.



2. Verkort de lengte van de trimmerdraad met 10-12 cm/4-4,75 inch.
3. Verlaag het motortoerental om het risico op schade aan planten te beperken.
4. Gebruik 80 % van het vermogen wanneer u in de buurt van objecten gras maait.



### Gras verwijderen

1. Houd de trimmerkop boven de grond.
2. Kantel de trimmerkop.
3. Snijd met het uiteinde van de trimmerdraad rond objecten in het werkgebied.



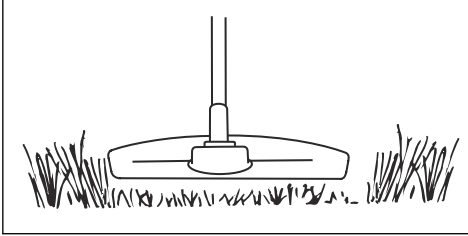
**OPGELET:** Gras maaien. Andere objecten die worden getroffen door de trimmerdraad verhogen de slijtage van de trimmerdraad.

4. Gebruik 80% van de snelheid bij het snijden en maaien van vegetatie. Dit vermindert de slijtage van de trimmerkop en de trimmerdraad.

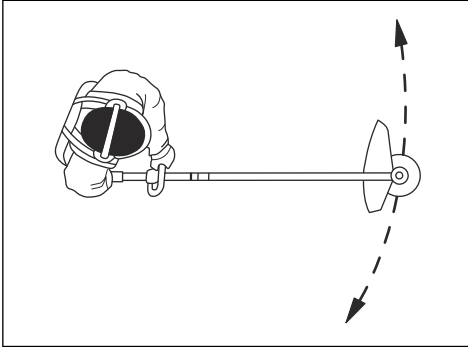


## Gras maaien

1. Zorg dat de trimmerdraad parallel loopt aan de grond wanneer u gaat maaien.



2. Duw de trimmerkop niet op de grond. Dit kan schade aan het product veroorzaken.
3. Gebruik de maximale snelheid.



## Gras vegen

De luchtstroom van de roterende trimmerdraad kan worden gebruikt om maaisel uit een gebied te verwijderen.

1. Houd de trimmerkop met de trimmerdraad parallel aan de grond en boven de grond.
2. Geef vol gas.
3. Beweeg de trimmerkop van de ene naar de andere kant en veeg het gras.



**WAARSCHUWING:** Reinig de kap van de trimmerkop altijd wanneer u een nieuwe trimmerdraad monteert, om onbalans en trillingen in de hendels te voorkomen. Controleer ook de andere onderdelen van de trimmerkop en reinig deze indien nodig.

## Onderhoud

### Inleiding

begrepen voordat u onderhoud aan het product gaat uitvoeren.



**WAARSCHUWING:** Zorg dat u het hoofdstuk over veiligheid hebt gelezen en

### Onderhoudsschema

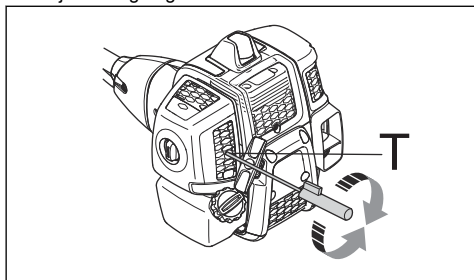
Onderhoud	Elke dag	Wekelijks	Maandelijks
Reinig het externe oppervlak.	X		
Controleer het draagstel op beschadigingen.	X		
Controleer de gashendelvergrendeling en de gashendel. Zie <i>Gashendelvergrendeling controleren op pagina 162</i> .	X		
Controleer de hendel en handgreep op beschadiging en zorg ervoor dat zij correct zijn aangebracht.	X		
Controleer de stopschakelaar. Zie <i>Stopschakelaar controleren op pagina 163</i> .	X		
Zorg ervoor dat de snijtrusting niet draait op stationair toerental.	X		

Onderhoud	Elke dag	Wekelijks	Maandelijks
Maak het luchtfilter schoon. Vervang deze indien beschadigd.	X		
Controleer de beschermkap van de snijuitrusting op beschadigingen en scheuren.	X		
Zorg ervoor dat het zaagblad of grasmaaiblad correct is bevestigd. Zorg ervoor dat het zaagblad of grasmaaiblad scherp en niet beschadigd is.	X		
Controleer de trimmerkop op beschadigingen en scheuren. Vervang deze indien beschadigd.	X		
Draai de borgmoer volledig vast voor snijuitrustingen met een borgmoer.	X		
Controleer de transportbeveiliging op beschadiging en zorg ervoor dat hij correct kan worden bevestigd.	X		
Draai moeren en bouten aan.	X		
Controleer de motor, de brandstoftank en de brandstofleidingen op lekkages.	X		
Controleer de starter en het startkoord op beschadigingen.		X	
Controleer de bougie. Zie <i>Bougie controleren op pagina 180</i> . Vervang de bougie indien nodig. Zorg ervoor dat de bougie is uitgerust met een onderdrukker.		X	
Reinig het externe oppervlak van de carburateur en het gebied er omheen.		X	
Zorg ervoor dat de hoekoverbrenging gevuld is met vet. Zie <i>Haakse overbrenging op pagina 180</i> .		X	
Controleer het brandstoffilter op verontreiniging en de brandstofslang op scheuren en andere defecten. Vervang indien nodig.			X
Controleer alle kabels en aansluitingen.			X
Vervang de bougie. Zorg ervoor dat de bougie is uitgerust met een onderdrukker.			X

## Stationair toerental afstellen

De naald voor hoog toerental en de naald voor laag toerental zijn permanent ingesteld en kunnen niet worden afgesteld. Het stationair toerental is de enige functie die kan worden afgesteld.

1. Start de motor en zorg ervoor dat deze warm draait voordat u het stationair toerental gaat afstellen.
2. Draai de stationairschroef rechtsom tot de snijuitrusting begint te draaien.



3. Draai de stationairschroef linksom tot de snijuitrusting stopt.
4. Het stationaire toerental moet lager zijn dan het toerental waarbij de snijuitrusting begint te draaien. Het stationaire toerental is juist wanneer de motor in alle standen soepel draait.

## Onderhoud uitvoeren aan de geluiddemper

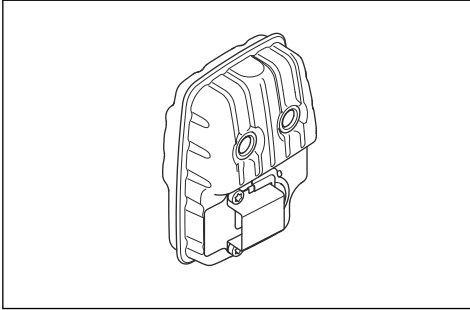
De geluiddemper zorgt dat het geluidsniveau omlaag wordt gebracht en geleid tevens de uitlaatgassen van de gebruiker weg.



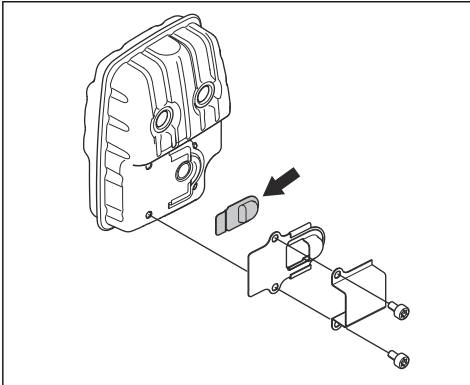
**WAARSCHUWING:** Geluiddempers met een katalysator worden zeer warm tijdens het gebruik en blijven enige tijd heet nadat u het product hebt gestopt. Dit geldt ook bij stationair draaien. Als u het product aanraakt, kunt u brandwonden oplopen. Denk na over het risico op brand.

1. Schakel het product uit en laat het afkoelen.

2. Verwijder de geluiddemper.



3. Verwijder de schroeven waarmee het vonkenscherm is bevestigd.



4. Reinig het vonkenscherm als het verstopt is of vervang het als het beschadigd is.



**OPGELET:** Een beschadigd vonkenscherm mag nooit worden teruggeplaatst. Gebruik een product niet als het vonkenscherm op de geluiddemper ontbreekt of defect is.

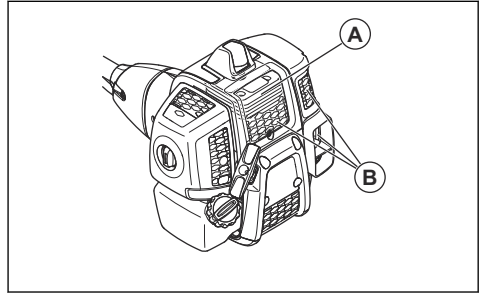


**OPGELET:** Indien het vonkenscherm vaak verstopt is, kan dit erop duiden dat de werking van de katalysator is afgenomen. Neem contact op met uw servicedealer voor controle van de geluiddemper. Een verstopt vonkenscherm veroorzaakt oververhitting en dat leidt tot schade aan de cilinder en zuiger.

## Het koelsysteem reinigen/onderhouden

Dit product is uitgerust met een koelsysteem. Een vuil of verstopt koelsysteem zorgt ervoor dat het product te heet wordt, waardoor de cilinder en zuiger beschadigd kunnen raken. Controleer en reinig het koelsysteem met een borstel één keer per week, of vaker bij veeleisende

omstandigheden. Het koelsysteem heeft koelribben op de cilinder (A) en een luchtinlaat (B).



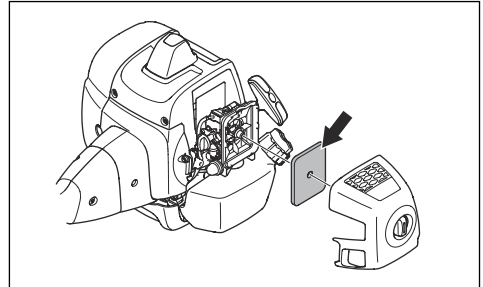
## Luchtfilter

Een vuil luchtfilter kan storing van de carburateur, startproblemen, verlies van motorvermogen en slijtage van motoronderdelen veroorzaken. Het zorgt er bovendien voor dat de motor meer brandstof verbruikt dan nodig is. Reinig het filter met een interval van 8 uur of vaker indien het product in een stoffige omgeving wordt gebruikt.

**Let op:** Afstellen van de motor kan nodig zijn wanneer het luchtfilter gereinigd of vervangen is. Zie *Stationair toerental afstellen op pagina 178*.

## Het luchtfilter reinigen en inspecteren

1. Verwijder het luchtfilter.



2. Reinig het vilten luchtfilter met perslucht.

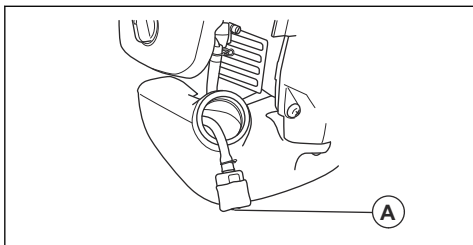


**OPGELET:** Vervang de vilten luchtfilters als ze niet volledig kunnen worden gereinigd. Vervang een beschadigd vilten luchtfilter altijd.

3. Reinig het binnenoppervlak van het luchtfilterdeksel. Gebruik perslucht of een borstel.

## Brandstoffilter

Als de motor niet genoeg brandstof krijgt toegevoerd, controleer dan of de luchtopening van de brandstoftankdop en het brandstoffilter (A) niet verstopt zijn.



## Bougie controleren

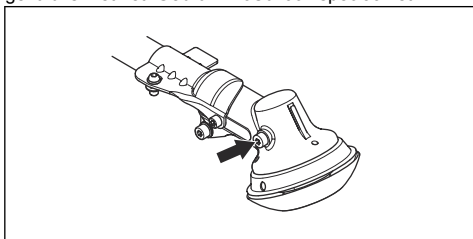


**OPGELET:** Gebruik altijd het juiste bougietype. Een verkeerd type bougie kan schade aan het product veroorzaken.

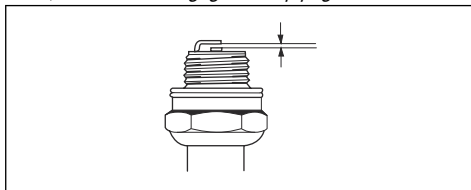
- Controleer de bougie als de motor weinig vermogen heeft, niet gemakkelijk te starten is of stationair niet goed draait.
- Volg deze instructies om het risico van ongewenst materiaal op de elektroden van de bougie te beperken:
  - a) Zorg ervoor dat het stationair toerental altijd juist is afgesteld.
  - b) Zorg dat het brandstofmengsel correct is.
  - c) Zorg dat het luchtfilter schoon is.
- Maak de bougie schoon als deze vuil is en controleer of de afstand tussen de elektroden correct is, zie *Technische gegevens op pagina 180*.

## Haakse overbrenging

De hoekoverbrenging is af fabriek gevuld met de juiste hoeveelheid vet. Maar voordat u het product gebruikt, moet u ervoor zorgen dat de hoekoverbrenging voor 3/4 gevuld is met vet. Gebruik McCulloch speciaalvet.



Het is niet nodig om het vet in de hoekoverbrenging te vervangen, tenzij de hoekoverbrenging is gerepareerd.



- Vervang de bougie indien nodig.

## Technische gegevens

	B40 B Elite	B40 BT Elite
<b>Motor</b>		
Cilinderinhoud, cm <sup>3</sup>	40,1	40,1
Cilinderdiameter, Ø mm	40,5	40,5
Cilinderslaglengte, mm	31,1	31,1
Stationair toerental, tpm	3000	3000
Aanbevolen maximum toerental, tpm	12000	12000
Toerental van uitgaande as, tpm	8220	8220
Max. motorvermogen volgens ISO 8893, kW @ rpm	1,5 bij 9000	1,5 bij 9000
<b>Ontstekingsstelsel</b>		
Bougie	NGK CMR7H-10	NGK CMR7H-10
Elektrodenafstand, mm	0,9-1,0	0,9-1,0
<b>Brandstof-/smeersysteem</b>		
Fabrikant/carburateurtype	Ruixing H225D-	Ruixing H225D-
Inhoud brandstoftank, l/gallon	1 / 1000	1 / 1000

	B40 B Elite	B40 BT Elite
<b>Gewicht</b>		
Zonder brandstof, snijuitrusting en beschermkap, kg	7,3	7,4
<b>Geluidsemissies<sup>19</sup></b>		
Geluidsvermogeniveau, gemeten dB(A)	112	112
Geluidsvermogeniveau, gegarandeerd L <sub>WA</sub> dB(A)	118	118
<b>Geluidsniveaus<sup>20</sup></b>		
Equivalent geluidsdrumniveau bij het oor van de gebruiker, gemeten volgens EN/ISO 11806 en ISO 22868, dB(A), min./max.		
Uitgerust met trimmerkop (origineel)	100	100
Uitgerust met grasmaaiblad (origineel)	99	99
Uitgerust met zaagblad (origineel)	–	99
<b>Trillingsniveau<sup>21</sup></b>		
Equivalent trillingsniveaus (a <sub>hv,eq</sub> ) aan de handgrepen, gemeten in overeenstemming met EN ISO 11806 en ISO 22867, m/s <sup>2</sup>		
Uitgerust met trimmerkop (origineel), links/rechts	3,4 / 4,4	3,4 / 4,4
Uitgerust met grasmaaiblad (origineel), links/rechts	5,2 / 5,1	5,2 / 5,1
Uitgerust met zaagblad (origineel), links / rechts	–	4,5 / 4,2

<b>B40 B Elite, B40 BT Elite</b>		
<b>Goedgekeurde accessoires</b>	<b>Type</b>	<b>Beschermkap voor de snijuitrusting, Artikelnr.</b>
Centrumopening in bladen/messen, Ø 25,4 mm		
Schroefdraad bladas M12		
Grasmaaiblad/grasmes	Grasmaaiblad 255-4 1" (Ø 255 4 tanden)	580 30 50-01
	Grasmaaiblad 255-3 (Ø 255 3 tanden)	580 30 50-01
Zaagblad	Zaagblad 200-22 (Ø 200-22 tanden)	581 33 84-01
Trimmerkop	P35	580 30 50-01

<sup>19</sup> Geluidsemissie naar de omgeving gemeten als geluidsvermogen (L<sub>WA</sub>) volgens EG-richtlijn 2000/14/EG. Het gerapporteerde geluidsvermogensniveau voor de machine is gemeten met de originele snijuitrusting die het hoogste niveau geeft. Het verschil tussen gegarandeerd en gemeten geluidsvermogen is dat het gegarandeerde geluidsvermogen ook spreiding in het meetresultaat omvat en de verschillen tussen de verschillende machines van hetzelfde model conform Richtlijn 2000/14/EG.

<sup>20</sup> De gerapporteerde gegevens voor een equivalent geluidsdrumniveau vertonen een typische statistische spreiding (standaardafwijking) van 1 dB (A).

<sup>21</sup> De gerapporteerde gegevens voor een trillingsniveau vertonen een typische statistische spreiding (standaardafwijking) van 1 m/s<sup>2</sup>.

<b>B40 B Elite, B40 BT Elite</b>		
Steunkop	Vast	-

---

# EG verklaring van overeenstemming

---

## EU-verklaring van overeenstemming

**Husqvarna AB**, SE-561 82 Huskvarna, Zweden, tel: +46-36-146500, verklaart dat de trimmers **McCulloch B40 B Elite** met serienummers van 2021 en later (het jaar staat duidelijk op het productplaatje vermeld, gevolgd door het serienummer) voldoet aan de eisen die zijn opgenomen in de RICHTLIJNEN VAN DE RAAD:

- van 17 mei 2006 'met betrekking tot machines' **2006/42/EG**
- van 26 februari 2014 "betreffende elektromagnetische compatibiliteit" **2014/30/EU**
- van 8 mei 2000 "met betrekking tot geluidsemisies in het milieu" **2000/14/EG**. Conformiteitsbeoordeling volgens bijlage V. Raadpleeg voor informatie betreffende geluidsemissie de sectie met technische gegevens.
- van 8 juni 2011 "inzake beperking van het gebruik van bepaalde gevaarlijke stoffen in elektrische en elektronische apparatuur" **2011/65/EU**.

De volgende normen zijn van toepassing:

**EN ISO 12100:2010, CISPR 12:2007+A1:2009, EN ISO 14982:2009, EN ISO 11806-1:2011, EN IEC 63000:2018**

RISE SMP Svensk Maskinprovning AB, Box 7035, SE-750 07 Uppsala, Sweden heeft namens Husqvarna AB een niet-verplicht typeonderzoek uitgevoerd. De certificaten hebben de nummers: **SEC/12/2339** - B40 B Elite, B40 BT Elite

RISE SMP Svensk Maskinprovning AB heeft ook overeenkomst bevestigd met bijlage V van de richtlijnen van de raad 2000/14/EG.

Huskvarna, 2020-08-25



Pär Martinsson, Hoofd Ontwikkeling (gemachtigde vertegenwoordiger voor Husqvarna AB en verantwoordelijk voor technische documentatie)

---

## Sommario

---

Introduzione.....	184	Manutenzione.....	205
Sicurezza.....	187	Dati tecnici.....	208
Montaggio.....	195	Dichiarazione di conformità CE.....	210
Utilizzo.....	198	.....	0

---

## Introduzione

---

### Descrizione del prodotto

Il prodotto è un decespugliatore con motore a combustione.

Il lavoro è in costante evoluzione per aumentare sicurezza ed efficienza durante le attività. Rivolgersi al centro di assistenza per maggiori informazioni.

### Uso previsto

Il prodotto può essere utilizzato con una lama per sfrascatura, una lama tagliaerba o una testina portafilo per tagliare diversi tipi di vegetazione. Non utilizzare il

prodotto per operazioni diverse dalla bordatura, dallo sfoltimento dell'erba e dallo sfoltimento forestale. Usare una lama per sfrascatura per tagliare legno di tipo fibroso. Usare una lama tagliaerba o testina portafilo per tagliare l'erba.

---

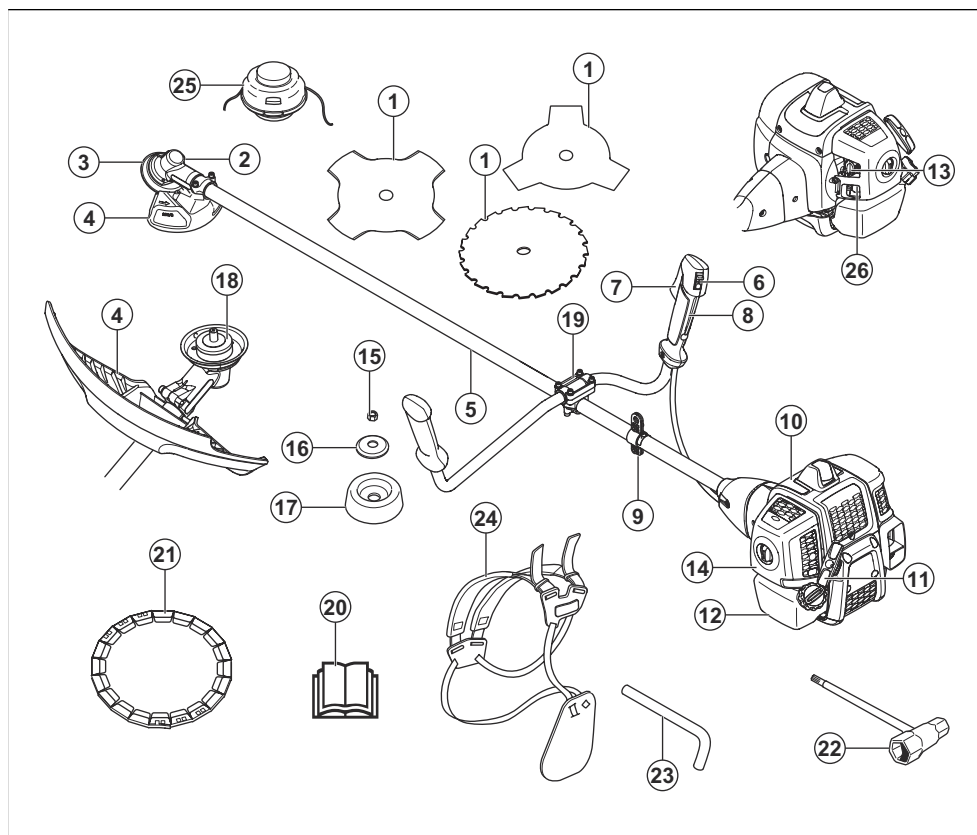
**Nota:** La normativa nazionale o locale può regolare l'utilizzo. Assicurare la conformità alla normativa in vigore.

---

Utilizzare il prodotto solo con gli accessori approvati dal costruttore. Vedere *Dati tecnici alla pagina 208*.



## Panoramica del prodotto



- |  |   |
|--|---|
| <ul style="list-style-type: none"> <li>1. Lama (non per tutti i mercati)</li> <li>2. Tappo di rifornimento lubrificante, riduttore angolare</li> <li>3. Riduttore angolare</li> <li>4. Protezione del gruppo di taglio</li> <li>5. Albero</li> <li>6. Interruttore di arresto</li> <li>7. Grilletto acceleratore</li> <li>8. Fermo dell'acceleratore</li> <li>9. Gancio di sospensione</li> <li>10. Coperchio del cilindro</li> <li>11. Impugnatura di avviamento</li> <li>12. Serbatoio del carburante</li> <li>13. Comando della valvola dell'aria</li> <li>14. Coperchio del filtro dell'aria</li> <li>15. Controdado</li> <li>16. Flangia di sostegno</li> <li>17. Coppa di sostegno</li> <li>18. Menabrida</li> </ul> | <ul style="list-style-type: none"> <li>19. Morsetto del manubrio</li> <li>20. Manuale operatore</li> <li>21. Protezione di trasporto (non per tutti i mercati)</li> <li>22. Chiave a brugola</li> <li>23. Spina di bloccaggio (per prodotti senza chiave a brugola)</li> <li>24. Cinghiaggio</li> <li>25. Testina portafilo</li> <li>26. Primer del carburante</li> </ul> |
|--|---|

### Simboli riportati sul prodotto



**AVVERTENZA!** Questo prodotto è pericoloso. Possono verificarsi lesioni anche mortali all'operatore o ai passanti se il prodotto non viene usato con cautela e in modo corretto. Al fine di evitare lesioni all'operatore o ai passanti, leggere e seguire attentamente le istruzioni di sicurezza nel manuale operatore.



Prima dell'uso, leggere attentamente il manuale operatore e accertarsi di aver compreso le istruzioni.



Utilizzare un elmetto protettivo in luoghi in cui gli oggetti potrebbero cadere. Usare cuffie protettive omologate. Utilizzare protezioni per gli occhi omologate.



Utilizzare guanti protettivi omologati.



Utilizzare robusti stivali antiscivolo.



Il prodotto può causare l'espulsione di oggetti in grado di provocare lesioni.



Velocità massima dell'albero in uscita.



Tenersi a una distanza minima di 15 / 50 ft m da persone e animali quando il prodotto è in funzione.



Esiste il rischio di spinta della lama se l'attrezzatura di taglio entra in contatto con un oggetto che non riesce a tagliare immediatamente. Il prodotto può tagliare parti del corpo. Tenersi a una distanza minima di 15 m / 50 ft da persone e animali quando il prodotto è in funzione.



Utilizzare esclusivamente un cavo di taglio flessibile. Non usare mai elementi per il taglio del metallo. Applicare questo accessorio per la protezione dell'erba.



La freccia indica il limite per la posizione dell'impugnatura.



Primer del carburante.



Rifornimento carburante.



Comando dell'aria.



Emissioni di rumore nell'ambiente in conformità alla Direttiva Europea 2000/14/CE e alla norma del Nuovo Galles del Sud in materia di protezione dell'ambiente "Protection of the Environment Operations (Noise Control) Regulation 2017". I dati sulle emissioni di rumore sono riportati sull'etichetta della macchina e nel capitolo *Dati tecnici alla pagina 208*.



Il prodotto è conforme alle direttive CE vigenti.

aaaassxxxx

La targhetta dati di funzionamento o la stampa al laser mostrano il numero di serie. **yyyy** è l'anno di produzione, **ww** è la settimana di produzione.

**Nota:** I restanti simboli/decalcomanie sul prodotto riguardano particolari requisiti necessari per ottenere la certificazione in altre aree commerciali.

## Responsabilità del prodotto

Come indicato nelle leggi vigenti in materia di responsabilità obbligatoria sul prodotto, non siamo responsabili per eventuali danni causati dal nostro prodotto se:

- Il prodotto viene riparato in modo errato.
- Il prodotto viene riparato con parti che non provengono o non sono omologate dal produttore.
- Il prodotto contiene un accessorio che non proviene o non è omologato dal produttore.
- Il prodotto non viene riparato presso un centro di assistenza autorizzato o presso un'autorità competente.

## Emissioni Euro V



**AVVERTENZA:** La manomissione del motore rende nulla l'omologazione UE del prodotto.

---

# Sicurezza

---

## Definizioni di sicurezza

Le definizioni riportate di seguito forniscono il livello di gravità per ciascuna delle parole di avvertenza.



**AVVERTENZA:** Lesioni alle persone.



**ATTENZIONE:** Danni al prodotto.

**Nota:** Queste informazioni rendono più semplice l'uso del prodotto.

## Istruzioni di sicurezza generali



**AVVERTENZA:** Leggere le seguenti avvertenze prima di utilizzare il prodotto.

- Durante il funzionamento, questo prodotto genera un campo elettromagnetico. Tale campo può interferire, in alcuni casi, con persone portatrici di impianti medici attivi o passivi. Per ridurre il rischio di condizioni che possono implicare lesioni gravi o mortali, i portatori di tali impianti devono consultare il proprio medico e il produttore dell'impianto prima di utilizzare questo prodotto.
- Non utilizzare l'apparecchio quando si è stanchi, ammalati o sotto effetto di alcool, farmaci o medicinali. Essi potrebbero compromettere la vista, l'attenzione, il coordinamento e il giudizio.
- Non utilizzare il prodotto in condizioni meteorologiche sfavorevoli, ad esempio in caso di nebbia fitta, pioggia intensa, vento forte o gelo. L'utilizzo del prodotto in condizioni meteorologiche avverse può causare stanchezza e aumentare le situazioni di rischio, come ad esempio un terreno scivoloso e una direzione di caduta imprevedibile.
- Usare la massima cautela e il buon senso. Nel caso in cui si abbiano dei dubbi riguardo una condizione di lavoro o le procedure di utilizzo anche dopo aver letto il manuale dell'operatore, rivolgersi a un'officina prima di continuare.
- Se si lascia il prodotto fuori dal campo visivo, rimuovere il cappuccio della candela.

## Istruzioni di sicurezza per il montaggio



**AVVERTENZA:** Leggere le seguenti avvertenze prima di utilizzare il prodotto.

- Utilizzare guanti protettivi approvati durante il montaggio del prodotto e del gruppo di taglio.
- Rimuovere il cappuccio dalla candela prima di assemblare il prodotto.
- Assicurarsi che il manubrio e la protezione del gruppo di taglio corretti siano montati prima di azionare il prodotto.
- Una protezione del gruppo di taglio difettosa o non corretta può causare lesioni. Non utilizzare un gruppo di taglio senza una protezione del gruppo di taglio omologata.
- Fissare il coperchio della frizione e l'albero corretto prima di avviare il prodotto.
- Il menabrida e la flangia di sostegno devono inserirsi correttamente nel foro centrale del gruppo di taglio. Un gruppo di taglio fissato in modo errato può causare lesioni gravi o mortali.
- Fissare il cablaggio al prodotto per evitare lesioni all'operatore o ad altri.

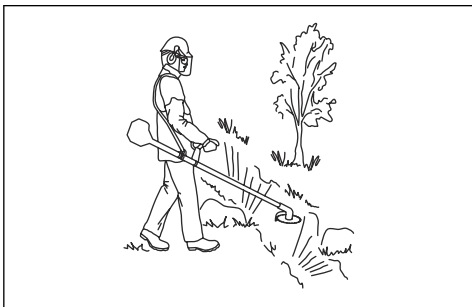
## Istruzioni di sicurezza per l'utilizzo



**AVVERTENZA:** Leggere le seguenti avvertenze prima di utilizzare il prodotto.

- Prima dell'uso del prodotto occorre comprendere la differenza fra sfoltimento forestale, sfoltimento dell'erba e bordatura dell'erba.
- Utilizzare abbigliamento protettivo personale, vedere *Abbigliamento protettivo personale alla pagina 188*.
- Una lunga esposizione al rumore può comportare la perdita permanente dell'udito. Indossare sempre protezioni acustiche approvate.
- Stare in ascolto per sentire segnali di avvertimento e voci alte quando si utilizzano le cuffie protettive. Togliere sempre le cuffie protettive all'arresto del motore.
- Non utilizzare mai il prodotto se esso è modificato o difettoso.
- Per evitare il rischio di scossa elettrica assicurarsi che il cappuccio della candela e il cavo di accensione non siano danneggiati.
- Ispezionare l'area di lavoro per assicurarsi che non vi siano persone, animali od oggetti che possano avere un impatto negativo sulla sicurezza di utilizzo del prodotto.
- Ispezionare l'area di lavoro per assicurarsi che non vi siano persone o animali che tocchino il gruppo di taglio o che possano essere colpite dagli oggetti espulsi dal gruppo di taglio.
- Non utilizzare il prodotto in una situazione o luogo in cui non è possibile ottenere aiuto in caso di incidente.

- Non utilizzare il prodotto senza una protezione del gruppo di taglio omologata.
- Assicurarsi che persone o animali mantengano una distanza di almeno 15 m durante il lavoro. Guardare sempre dietro di sé prima di fare girarsi con il prodotto. Arrestare il prodotto immediatamente nel caso in cui una persona o un animale entri nella zona di sicurezza di 15 m. Se più di un operatore lavora nella stessa area, mantenere una distanza di sicurezza pari ad almeno 2 volte l'altezza dell'albero e almeno di 15 m.
- Esaminare l'area di lavoro. Evitare eventuali corpi estranei quali pietre, frammenti di vetro, chiodi, fili di acciaio e corde che potrebbero essere espulsi dal gruppo di taglio o attorcigliarsi ad esso.
- Assicurarsi che sia possibile spostarsi in sicurezza e assumere una posizione sicura. Esaminare l'area circostante per la presenza di ostacoli quali radici, pietre, rami e fossi. Prestare la massima attenzione durante il lavoro su terreni in pendenza.



- Operare in sicurezza. Tenere sempre i piedi in una posizione stabile e mantenere un buon equilibrio.
- Prima di avviare il prodotto, posizionarlo su una superficie piana ad almeno 3 m dalla sorgente di carburante e da dove si effettua il rifornimento. Assicurarsi che non vi siano oggetti in prossimità del gruppo di taglio o che tocchino lo stesso.
- Se il gruppo di taglio ruota a regime minimo affidare la regolazione a un'officina. Non usare il prodotto prima di aver eseguito le necessarie regolazioni o riparazioni.
- Fare attenzione agli oggetti volanti. Usare sempre una protezione per gli occhi omologata e tenere lontano dalla protezione del gruppo di taglio. Pietre e altri oggetti di piccole dimensioni possono essere espulsi e colpire gli occhi, causando cecità o altre lesioni.
- Non poggiare il prodotto a motore acceso se non è possibile controllarlo a vista.
- Non rimuovere il materiale tagliato né permettere ad altre persone di rimuoverlo mentre il motore è acceso o mentre l'attrezzatura di taglio ruota, perché ciò potrebbe causare gravi lesioni.
- Prima di rimuovere il materiale avvolto intorno all'albero della lama o impigliato tra la protezione del gruppo di taglio e il gruppo di taglio, arrestare

sempre il motore e assicurarsi che l'attrezzatura di taglio non ruoti.

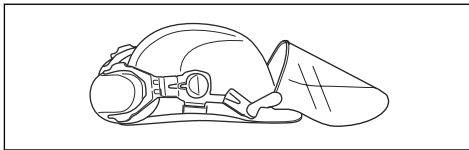
- Prestare attenzione quando si rimuove il materiale dalla zona circostante l'attrezzatura di taglio. Il riduttore angolare si riscalda durante l'uso e può causare ustioni.
- I fumi di scarico del motore sono molto caldi e possono contenere scintille. Rischio di incendio. Prestare molta attenzione in prossimità di materiali secchi e infiammabili.
- Non utilizzare mai il prodotto in ambienti chiusi o in spazi privi di un'adeguata ventilazione. I fumi di scarico contengono monossido di carbonio, un gas inodore, velenoso e altamente pericoloso.
- Prima di spostarsi in una nuova zona di lavoro, arrestare il motore. Prima di spostare l'attrezzatura fissare sempre la protezione di trasporto.
- La sovraesposizione alle vibrazioni può causare lesioni neuro-vascolari a chi soffre di cattiva circolazione. In caso di sintomi riferibili a sovraesposizione alle vibrazioni rivolgersi al proprio medico. Tali sintomi possono essere torpore, perdita della sensibilità, "punture", "prurito", dolore, riduzione o perdita della forza, decolorazione della pelle o modifiche strutturali della sua superficie. Tali sintomi si riscontrano generalmente nelle mani, nei polsi e alle dita. Il rischio può aumentare con le basse temperature.

## Abbigliamento protettivo personale

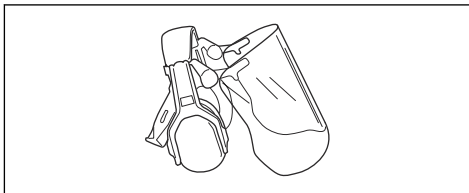


**AVVERTENZA:** leggere le seguenti avvertenze prima di utilizzare il prodotto.

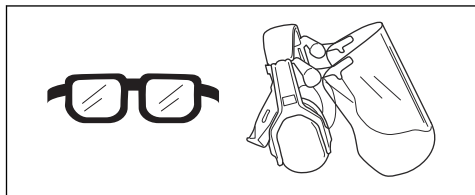
- Usare sempre abbigliamento protettivo personale omologato quando si utilizza il prodotto. L'uso di abbigliamento protettivo personale non elimina il rischio di lesioni, ma ne riduce la gravità in caso di incidente. Farsi consigliare dal rivenditore per la scelta dell'attrezzatura adatta.
- Usare un elmetto protettivo se gli alberi nell'area di lavoro presentano un'altezza superiore ai 2 m.



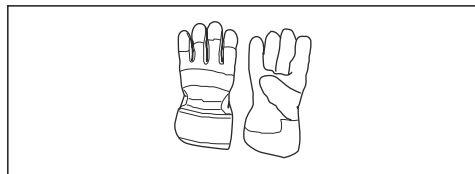
- Usare cuffie protettive omologate.



- Utilizzare protezioni per gli occhi omologate. Con l'uso della visiera è necessario anche l'uso di occhiali protettivi omologati. Con il termine occhiali protettivi omologati si intendono occhiali che siano conformi alle norme ANSI Z87.1 per gli USA o EN 166 per i paesi EU.



- Indossare guanti ove necessario, ad esempio per montare, ispezionare o pulire l'attrezzatura di taglio.



- Usare stivali protettivi con calotta in acciaio e soles anticivolo.



- Indossare indumenti di tessuto resistente. Indossare sempre pantaloni lunghi e pesanti e maniche lunghe. Non indossare indumenti larghi che potrebbero impigliarsi nei ramoscelli e nei rami. Non utilizzare gioielli, pantaloni corti o sandali. Non rimanere a piedi nudi. Raccogliere i capelli in modo sicuro sopra le spalle.
- Tenere a portata di mano la cassetta di primo soccorso.



## Dispositivi di sicurezza sul prodotto

Per informazioni sulla reperibilità dei dispositivi di sicurezza vedere *Protezione del gruppo di taglio alla pagina 190*.



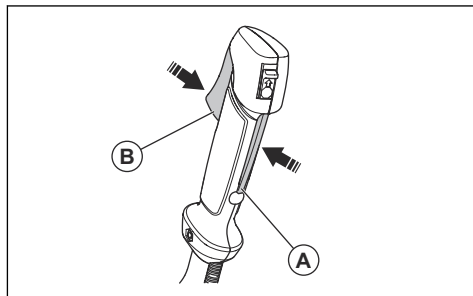
**AVVERTENZA:** Leggere le seguenti avvertenze prima di utilizzare il prodotto.

- Non utilizzare un prodotto con dispositivi di sicurezza difettosi. Effettuare controllo e manutenzione dei dispositivi di sicurezza con regolarità. Se i dispositivi di sicurezza sono difettosi, rivolgersi alla propria officina McCulloch.
- Non apportare modifiche ai dispositivi di sicurezza. Non utilizzare il prodotto se le coperture protettive, gli interruttori di sicurezza o altri dispositivi di protezione non sono fissati o sono difettosi.
- Per qualsiasi intervento di assistenza e riparazione del prodotto, in particolare per i dispositivi di sicurezza, è necessaria una formazione specifica. Se i dispositivi di sicurezza non superano i controlli indicati in questo manuale operatore è necessario rivolgersi a un'officina. Garantiamo la disponibilità per riparazioni e assistenza professionali. Se non avete acquistato il prodotto presso un rivenditore dotato di officina, informatevi sull'ubicazione della più vicina officina autorizzata.
- Non utilizzare un gruppo di taglio senza che sia stata montata una apposita protezione approvata e fissata correttamente. Vedere *Dati tecnici alla pagina 208*.

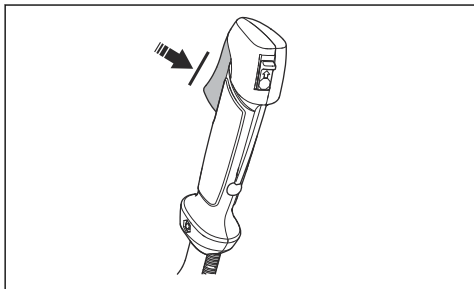
## Controllo del blocco del grilletto acceleratore

Il fermo del gas impedisce le accelerazioni involontarie.

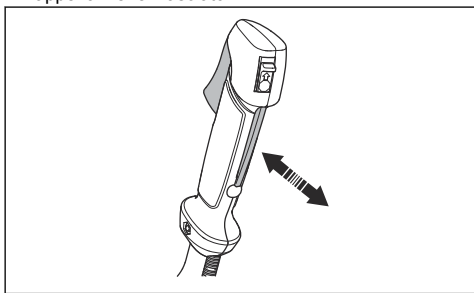
1. Premere il fermo del grilletto acceleratore (A) e assicurarsi che il comando dell'acceleratore venga rilasciato (B). Rilasciando l'impugnatura il comando dell'acceleratore e il fermo del grilletto acceleratore si bloccano nella loro posizione iniziale. Ciò avviene grazie a due sistemi di molle a ritorno. In questa posizione il gas è bloccato automaticamente sul minimo.



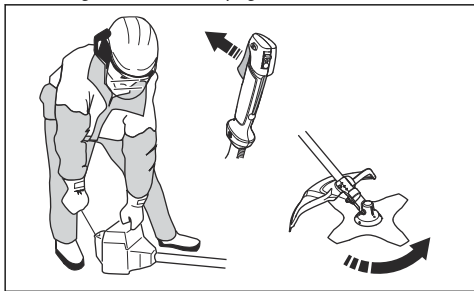
- Assicurarsi che il comando dell'acceleratore sia bloccato sul minimo quando il blocco del grilletto viene rilasciato.



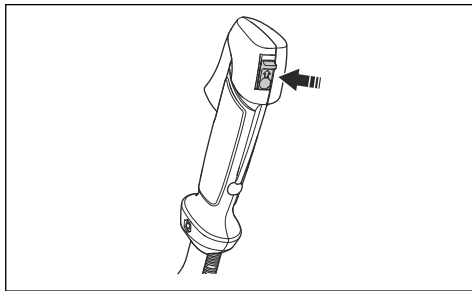
- Premere il blocco del grilletto acceleratore e controllare che ritorni in posizione di riposo non appena viene rilasciato.



- Controllare che comando dell'acceleratore e fermo del grilletto si muovano liberamente e che le molle di richiamo funzionino a dovere.
- Avviare il prodotto (consultare le istruzioni in *Per avviare e arrestare il motore alla pagina 199*) e accelerare al massimo.
- Lasciar andare l'acceleratore e accertarsi che il gruppo di taglio si fermi e resti fermo. Regolare il carburatore se il gruppo di taglio si muove con l'acceleratore in posizione di minimo. Fare riferimento alle istruzioni del capitolo *Regolazione del regime minimo alla pagina 206*.

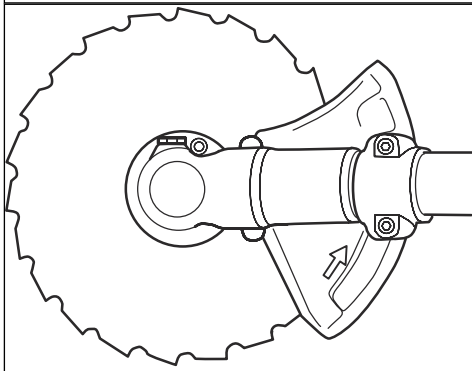
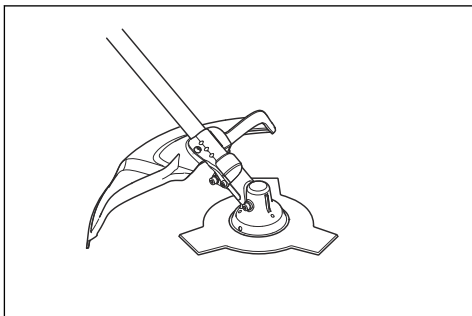


- Spostare l'interruttore di arresto in posizione di arresto e accertarsi che il motore si arresti.



### Protezione del gruppo di taglio

La protezione del gruppo di taglio impedisce che un oggetto allentato venga lanciato in direzione dell'operatore. Esaminare la protezione del gruppo di taglio per verificare l'eventuale presenza di danni e sostituire se danneggiato. Utilizzare solo la protezione omologata per il gruppo di taglio.

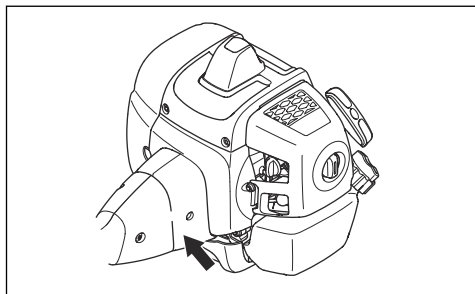


### Controllo dell'interruttore di arresto

- Avviare il motore.

## Controllo del sistema di smorzamento delle vibrazioni

Il sistema di smorzamento delle vibrazioni riduce le vibrazioni nelle impugnature al minimo facilitando l'operazione.



1. Spegner il motore.
2. Eseguire un controllo visivo per verificare l'eventuale presenza di deformazioni e danni, ad esempio incrinature.
3. Accertarsi che i componenti del sistema di smorzamento delle vibrazioni siano fissati correttamente.

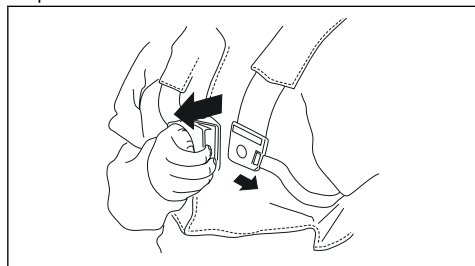
## Per eseguire un controllo del meccanismo di sgancio rapido



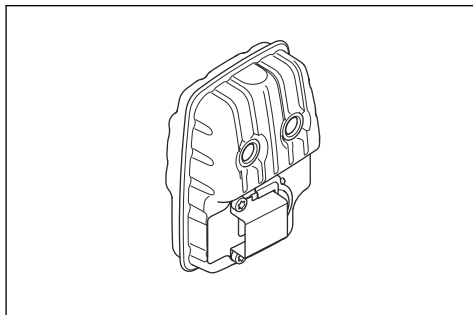
**AVVERTENZA:** Non usare un cinghiao con un meccanismo di sgancio rapido difettoso.

Il meccanismo di sgancio rapido consente all'operatore di rimuovere rapidamente il prodotto dal cinghiao in caso di una situazione di emergenza.

1. Spegner il motore.
2. Eseguire un controllo visivo per verificare l'eventuale presenza di danni, ad esempio incrinature.
3. Rilasciare e fissare il meccanismo di sgancio rapido per assicurarsi che funzioni correttamente.



## Marmitta



- Non utilizzare un motore con una marmitta danneggiata. Una marmitta danneggiata aumenta il livello acustico e il rischio di incendio. Tenere sempre un estintore a portata di mano.
- Controllare con regolarità che la marmitta sia collegata al prodotto.
- Non toccare il motore o la marmitta quando il motore è acceso. Non toccare il motore o la marmitta per alcuni istanti dopo lo spegnimento del motore. Superfici calde possono causare lesioni.
- Una marmitta calda può causare un incendio. Prestare la massima attenzione se si utilizza il prodotto in prossimità di liquidi infiammabili o fumi.
- Non toccare le parti della marmitta se danneggiata. Le parti possono contenere alcune sostanze chimiche cancerogene.
- Pulire il parascintille a intervalli regolari se il prodotto è dotato di tale dispositivo.

## Collegamento e scollegamento del controdatto

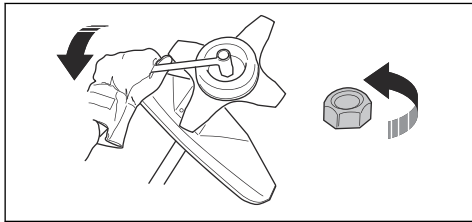


**AVVERTENZA:** Arrestare il motore, usare guanti protettivi e prestare la massima attenzione intorno ai bordi taglienti del gruppo di taglio.

Per bloccare alcuni tipi di gruppi di taglio viene utilizzato un controdatto. La filettatura del controdatto è sinistrorsa.

- Per il fissaggio, serrare il controdatto girando in senso contrario a quello di rotazione del gruppo di taglio.
- Per rimuovere il controdatto, allentarlo nello stesso senso di rotazione del gruppo di taglio.

- Per allentare e serrare il controdado, utilizzare una chiave a brugola con manico lungo. La freccia nell'illustrazione mostra la zona di utilizzo sicuro della chiave a brugola.



**AVVERTENZA:** Quando si allenta e si serra il controdado, c'è il rischio di ferirsi con la lama. Accertarsi sempre che la protezione della lama impedisca eventuali lesioni alla mano quando si esegue questa operazione.

**Nota:** Assicurarsi che non sia possibile ruotare il controdado manualmente. Sostituire il dado, se la guarnizione in nylon non ha una resistenza minima di 1,5 Nm. Dopo essere stato avvitato per circa 10 volte, il controdado va sostituito.

### Attrezzatura di taglio

Scegliere ed eseguire la manutenzione dell'attrezzatura di taglio per:

- Ottenere sempre le migliori prestazioni di taglio.
- Aumentare la durata dell'attrezzatura di taglio.
- Attenersi alle istruzioni di controllo, manutenzione e riparazione per la marmitta.
- Utilizzare solo la protezione omologata per l'attrezzatura di taglio. Vedere i Dati tecnici.



**AVVERTENZA:** Usare solo gruppi di taglio abbinati ai tipi di protezione da noi raccomandati! Vedere il capitolo Dati Tecnici. Per un corretto montaggio del filo di taglio del decespugliatore e per la scelta di un filo del diametro adatto, vedere le istruzioni per il gruppo di taglio.



**AVVERTENZA:** Un gruppo di taglio inadeguato può aumentare il rischio d'infortuni.

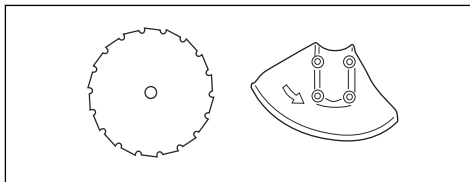


**AVVERTENZA:** Spegnerne sempre il motore prima di eseguire qualsiasi operazione sul gruppo di taglio. Questo infatti continua a ruotare anche quando l'acceleratore viene rilasciato. Accertarsi che il gruppo di taglio sia completamente fermo

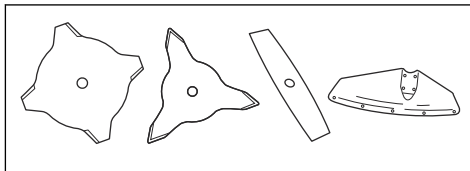
e staccare il cappuccio della candela prima di iniziare qualunque operazione.

### Attrezzatura di taglio

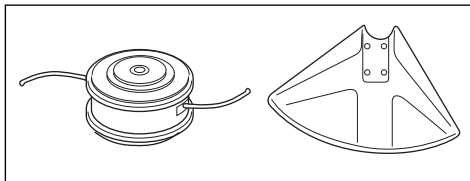
- Usare la lama per sfrascatura per tagliare legno di tipo fibroso.



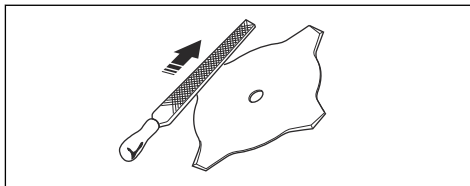
- Utilizzare le lame e i coltelli per tagliare l'erba più folta.



- Per tosare l'erba, utilizzare la testina portafilo.



- Una lama mal affilata o danneggiata aumenta il rischio d'incidenti. Mantenere i denti della lama affilati accuratamente e nel modo giusto. Seguire le istruzioni in *Per affilare i taglienti e la lama tagliaerba alla pagina 193* e usare la dima di affilatura consigliata.



- Controllare se il gruppo di taglio presenta danni o incrinature. Sostituire il gruppo di taglio se danneggiato.
- Utilizzare esclusivamente attrezzature di taglio con le protezioni raccomandate. Fare riferimento a *Dati tecnici alla pagina 208*.

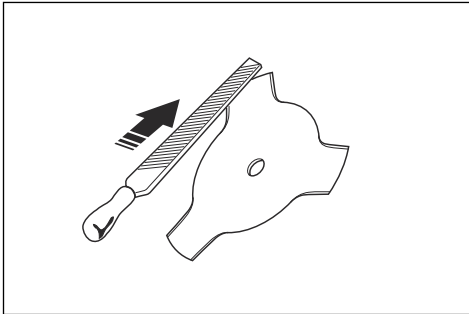
### Lame

- Utilizzare il prodotto con una lama approvata. Non utilizzare una lama senza aver installato in modo



corretto tutte le parti necessarie. Accertarsi che l'installazione sia eseguita correttamente e che vengano utilizzate le parti corrette. Un'installazione inadeguata può provocare l'espulsione della lama e danneggiare gravemente l'operatore o i presenti.

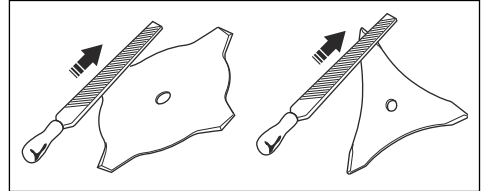
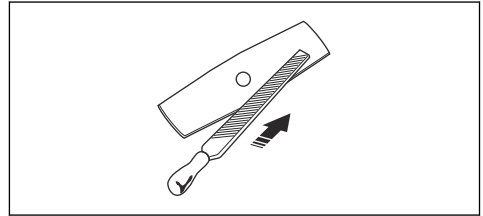
- Indossare guanti protettivi quando si maneggia la lama o si esegue la manutenzione.
- Utilizzare la protezione per la testa quando si aziona un prodotto con una lama.
- Una lama può causare danni quando continua a ruotare dopo che è stato arrestato il motore o che è stato rilasciato il grilletto acceleratore. Assicurarsi che la lama si sia completamente arrestata prima di procedere alla manutenzione.
- Spegnerne il motore prima di eseguire qualsiasi operazione sul gruppo di taglio. Accertarsi che il gruppo di taglio si arresti completamente. Togliere il cavo di accensione dalla candela.
- Mantenere i denti della lama affilati accuratamente e nel modo giusto.



- Non utilizzare un gruppo di taglio danneggiato.
- Montare la protezione di trasporto sulla lama durante il trasporto o l'immagazzinamento del prodotto.

### Per affilare i taglienti e la lama tagliaerba

- Affilare tutti i bordi dei taglienti e delle lame tagliaerba allo stesso modo per mantenere l'equilibrio. Utilizzare una lima piatta a taglio semplice.

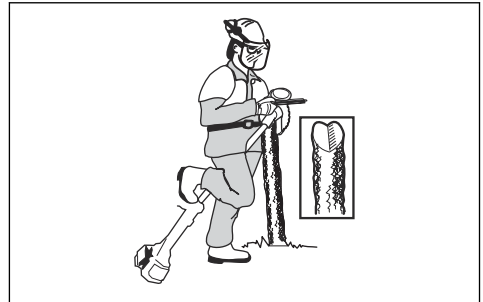


### Per affilare la lama per sfrascatura

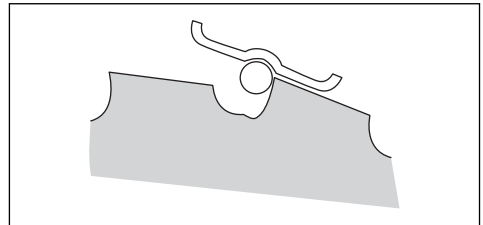


**AVVERTENZA:** Spegnerne il motore.  
Usare guanti protettivi.

- Per affilare la lama correttamente, fare riferimento alle istruzioni fornite con la lama.
- Accertarsi che il prodotto e la lama abbiano un supporto sufficiente durante l'affilatura.

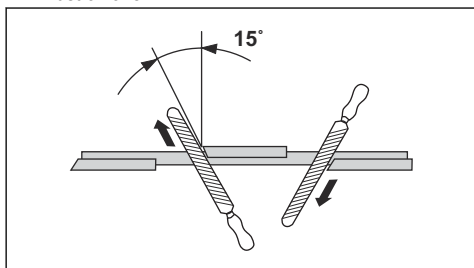


- Utilizzare una lima tonda da 5,5 mm (7/32 poll.) e un supporto per lima.



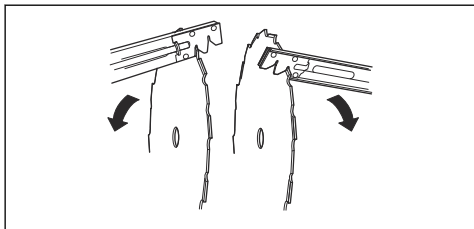
- Tenere la lima a un angolo di 15°.

- Affilare un dente della lama per sfrascatura verso destra e il dente successivo verso sinistra, vedere l'illustrazione.



**Nota:** Se la lama risulta gravemente usurata, affilare i taglienti dei denti con una lima piatta. Continuare ad affilare con una lima tonda.

- Limare tutti i taglienti in modo uguale per mantenere la lama in equilibrio.
- Regolare la disposizione della lama su 1 mm (0,04 poll.) con l'attrezzo di regolazione consigliato. Fare riferimento alle istruzioni fornite con la lama.

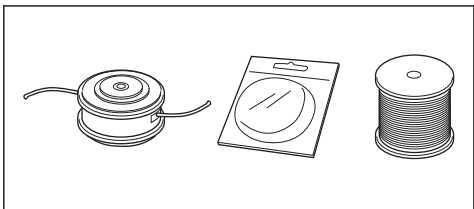


**AVVERTENZA:** Gettare sempre le lame danneggiate. Non tentare di raddrizzare una lama piegata o storta e utilizzarla di nuovo.

### Testina portafilo



**AVVERTENZA:** Accertarsi sempre che il filo di taglio sia ben avvolto attorno al tamburo per evitare vibrazioni dannose.



- Utilizzare esclusivamente le testine portafilo e i fili di taglio consigliati.
- Utilizzare esclusivamente i gruppi di taglio consigliati.

- Una macchina piccola richiede una testina portafilo piccola e viceversa.
- La lunghezza del filo di taglio è importante. A parità di diametro, un filo più lungo richiede una maggiore potenza del motore rispetto a uno corto.
- Assicurarsi che il tagliente situato sulla protezione parasassi sia intatto. In questo modo, si taglia il filo alla lunghezza giusta.
- Per prolungarne la durata, immergere il filo in acqua per un paio di giorni prima dell'utilizzo.

### Sicurezza durante l'uso del carburante

- Non avviare il prodotto nel caso in cui vi sia carburante o olio motore su di esso. Rimuovere il carburante/olio indesiderato e lasciare che il prodotto si asciughi. Rimuovere il carburante indesiderato dal prodotto.
- In caso di perdite di carburante sugli indumenti, cambiarsi immediatamente.
- Il carburante non deve arrivare a contatto con il corpo, poiché può causare lesioni. In caso di contatto del carburante con il corpo, rimuoverlo con acqua e sapone.
- Non avviare il motore in caso di contatto dell'olio o del carburante con il prodotto o con il proprio corpo.
- Non avviare il prodotto se il motore presenta una perdita. Esaminare regolarmente il motore per verificare la presenza di eventuali perdite.
- Prestare la massima attenzione con il carburante. Il carburante è infiammabile e i fumi sono esplosivi quindi possono causare lesioni o morte.
- Non respirare i fumi del carburante perché possono causare lesioni. Accertarsi che ci sia un flusso d'aria sufficiente.
- Non fumare in prossimità del carburante o del motore.
- Non posizionare oggetti caldi in prossimità del carburante o del motore.
- Non aggiungere carburante a motore acceso.
- Assicurarsi che il motore sia freddo prima di effettuare il rifornimento.
- Prima di effettuare il rifornimento, aprire lentamente il tappo del serbatoio del carburante e rilasciare la pressione con cautela.
- Non aggiungere carburante al motore in un ambiente chiuso. Un flusso d'aria insufficiente può causare lesioni o la morte dovute ad asfissia o al monossido di carbonio.
- Serrare il tappo del serbatoio del carburante con cautela, altrimenti potrebbe verificarsi un incendio.
- Prima dell'avviamento, spostare il prodotto di almeno 3 m (10 ft) dal punto in cui è stato riempito il serbatoio del carburante.
- Non rabboccare il serbatoio con una quantità eccessiva di carburante.
- Assicurarsi che non si verifichino perdite quando si sposta il prodotto o la tanica carburante.

- Non posizionare il prodotto o una tanica carburante in ambienti in cui siano presenti fiamme libere, scintille o fiamme pilota. Assicurarsi che l'area di rimessaggio non contenga fiamme libere.
- Utilizzare solo contenitori omologati per spostare il carburante o riporlo in magazzino.
- Svuotare il serbatoio del carburante prima di lunghi periodi di stoccaggio. Attenersi alle leggi locali sullo smaltimento del carburante.
- Pulire il prodotto prima di un lungo periodo di stoccaggio.
- Rimuovere il cavo della candela prima di conservare il prodotto in magazzino per assicurarsi che il motore non si avvii accidentalmente.

## Istruzioni di sicurezza per la manutenzione

- Se non è possibile regolare il regime minimo per arrestare il gruppo di taglio, rivolgersi al proprio centro di assistenza. Non utilizzare il prodotto fino a quando non è correttamente regolato o riparato.

## Montaggio



**AVVERTENZA:** Leggere il capitolo sulla sicurezza prima di assemblare il prodotto.

### Introduzione



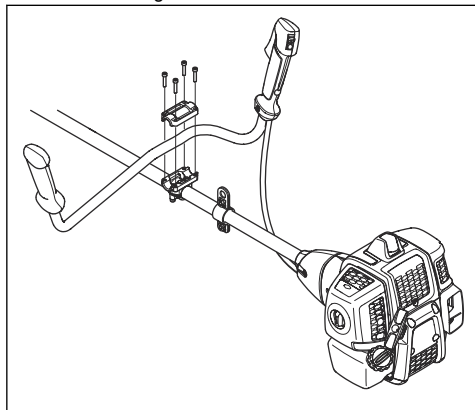
**AVVERTENZA:** Prima di assemblare il prodotto, leggere e comprendere il capitolo sulla sicurezza.



**AVVERTENZA:** Rimuovere il cavo della candela dalla candela prima di assemblare il prodotto.

### Per montare il manubrio

1. Montare il manubrio sulla staffa di montaggio come mostrato di seguito.



### Per installare le lame e le testine portafilo



**AVVERTENZA:** Utilizzare solo la protezione omologata per le lame. Vedere

*Dati tecnici alla pagina 208.* Una protezione difettosa può causare lesioni.

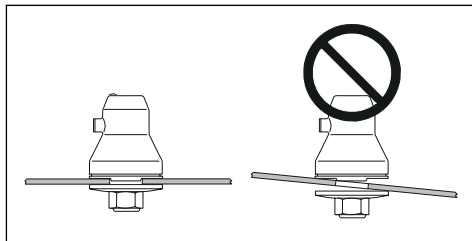


**AVVERTENZA:** Se si intende utilizzare il prodotto con una lama tagliaerba, installare innanzitutto il manubrio, la protezione lama e il cinghiaggio.



**AVVERTENZA:** Se non installate correttamente, le lame possono causare gravi lesioni.

1. Accertarsi che la sezione sollevata del menabrida o della flangia di sostegno si innesti nel modo corretto nel foro centrale delle lame.
2. Installare le lame.



### Montaggio di protezione lama, lama tagliaerba e tagliente

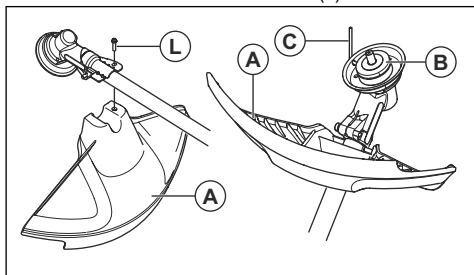


**ATTENZIONE:** Utilizzare solo la protezione omologata per le lame. Vedere il manuale operatore.

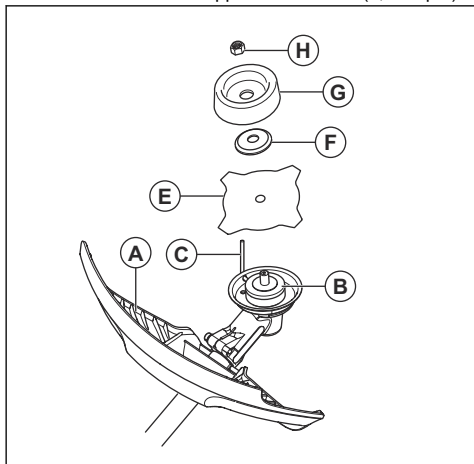


**ATTENZIONE:** Assicurarsi che il carter protettivo sia stato rimosso.

1. Fissare la protezione lama/il gruppo di taglio (A) sull'albero e serrare con il bullone (L).



2. Montare il menabrida (B) sull'albero in uscita.
3. Far ruotare l'albero in uscita fino a far coincidere uno dei fori del menabrida con il foro corrispondente nella scatola ingranaggi.
4. Introdurre nel foro la spina di bloccaggio (C) per bloccare l'albero.
5. Collocare la lama (E), la flangia di sostegno (F) e la coppa di sostegno (G) sull'albero in uscita.
6. Montare il dado (H). Tenere fermo il manico della chiave in prossimità della protezione lama quanto più possibile. Per serrare il dado, girare la chiave nella direzione opposta a quella di rotazione. Il dado va serrato con una coppia di 35-50 Nm (3,5-5 kpm).



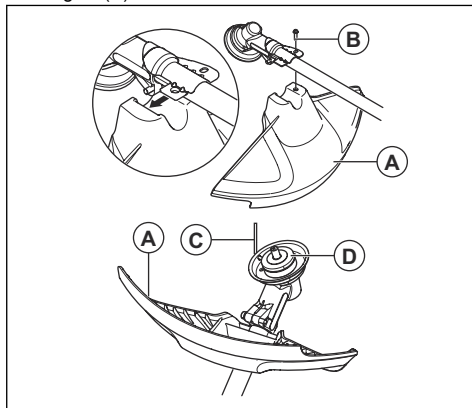
**Nota:** Filettature sinistrorse.

### Montare la protezione parasassi e la testina portafilo.

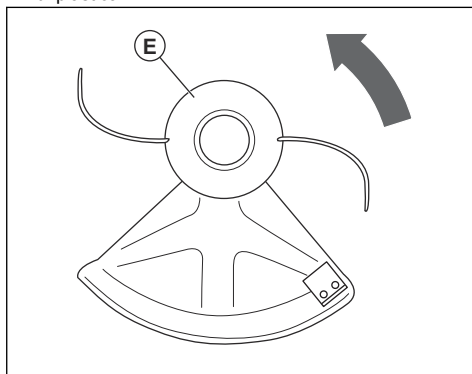
**Nota:** Accertarsi di utilizzare la protezione parasassi e la testina portafilo corretti.

1. Montare la protezione parasassi/protezione combinata (A) adeguata per la testina portafilo.

2. Montare la protezione parasassi/protezione combinata intorno all'albero e serrarla con il bullone (B). Utilizzare la spina di bloccaggio o la chiave a brugola (C).



3. Posizionare la spina di bloccaggio o la chiave a brugola (C) nella scanalatura della testa della vite e serrare.
4. Montare il menabrida (D) sull'albero in uscita.
5. Far ruotare l'albero in uscita fino a far coincidere uno dei fori del menabrida con il foro corrispondente nella scatola ingranaggi.
6. Montare la spina di bloccaggio o la chiave a brugola (C) nel foro per bloccare l'albero.
7. Montare la testina portafilo/le lame di plastica (E). Girare in senso antiorario la testina portafilo/le lame di plastica.



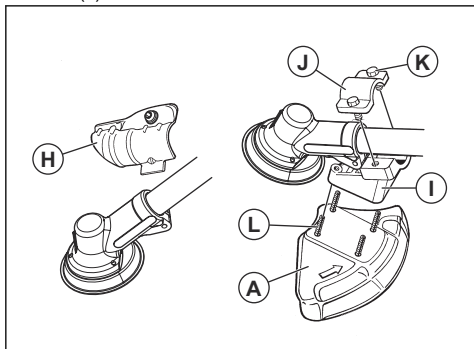
8. Per smontare procedere nella sequenza inversa.

### Per il montaggio di una protezione lama e della lama per sfrascatura

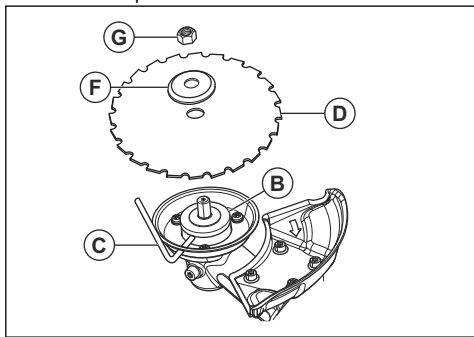


**ATTENZIONE:** Utilizzare solo la protezione omologata per le lame. Fare riferimento a *Dati tecnici alla pagina 208*.

1. Smontare la piastrina di fissaggio (H).
2. Montare l'adattatore (I) e la staffa (J) con le due viti (K).
3. Montare la protezione lama (A) sull'adattatore con le 4 viti (L).

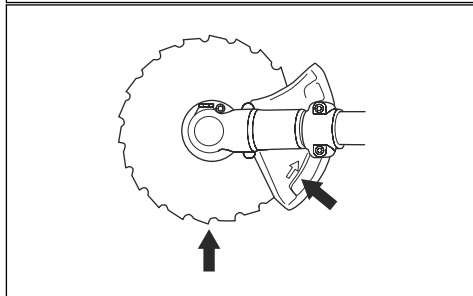
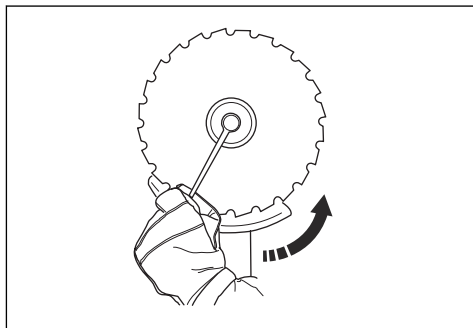


4. Montare il menabrida (B) sull'albero in uscita.
5. Far ruotare l'albero della lama fino a far coincidere uno dei fori del menabrida con il foro corrispondente nella scatola ingranaggi.
6. Introdurre nel foro la spina di bloccaggio (C) per bloccare l'albero.
7. Collocare la lama (D) e la flangia di sostegno (F) sull'albero in uscita.
8. Montare il dado (G). Il dado va serrato a una coppia di 35-50 Nm (3,5-5 kpm). Usare la chiave a brugola inclusa nel kit attrezzi. Mantenere il manico della chiave il più possibile vicino alla protezione lama. Per serrare il dado, girare la chiave in senso contrario a quello di rotazione.



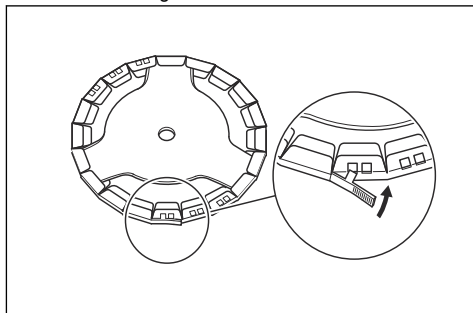
**Nota:** Filettature sinistrorse.

9. Svitando e avvitando il dado della lama per sfrascatura c'è pericolo di ferirsi con i denti della lama. Accertarsi sempre che la mano sia riparata dalla protezione della lama. A questo proposito utilizzare sempre una chiave a brugola dal manico sufficientemente lungo. La freccia in figura mostra la zona di utilizzo della chiave a brugola quando si avvita e si svita.



## Per montare la protezione di trasporto

1. Montare la protezione di trasporto sulla lama come indicato nella figura.



## Regolazione del cinghiaggio



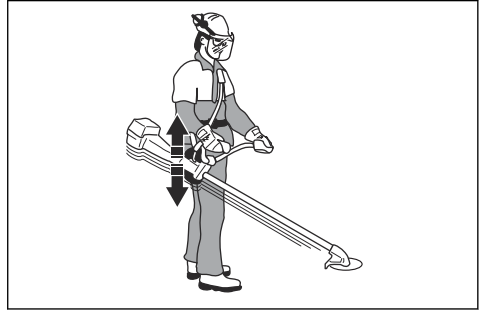
**AVVERTENZA:** Il prodotto deve sempre essere fissato correttamente al cinghiaggio. In caso contrario, non è possibile controllare il prodotto in modo sicuro e ciò può provocare lesioni

all'operatore o a terzi. Non utilizzare un cinghiaggio difettoso. Non usare un cinghiaggio con dispositivo di sgancio rapido difettoso.

1. Indossare il cinghiaggio.
2. Collegare il prodotto al cinghiaggio.
3. Regolare il cinghiaggio in modo da assumere la posizione di lavoro migliore.
4. Regolare le cinghie laterali per bilanciare la distribuzione del peso sulle spalle.



5. Regolare il cinghiaggio per far sì che il gruppo di taglio sia parallelo al terreno.



6. Fare in modo che il gruppo di taglio poggia leggermente sul terreno. Regolare la fascetta del cinghiaggio per bilanciare il prodotto correttamente.

**Nota:** Se si utilizza una lama tagliaerba, è necessario bilanciarla a circa 10 cm / 4 in sopra il terreno.

## Utilizzo



**AVVERTENZA:** Leggere e comprendere il capitolo sulla sicurezza prima di utilizzare il prodotto.

## Introduzione



**AVVERTENZA:** Prima di utilizzare il prodotto, è necessario leggere e comprendere il capitolo relativo alla sicurezza.

## Carburante

Questo prodotto è dotato di un motore a due tempi.



**ATTENZIONE:** Un carburante di tipo errato può causare danni al motore. Utilizzare una miscela di benzina e olio per motori a due tempi.

## Carburante premiscelato

- Utilizzare carburante alchilato premiscelato McCulloch per garantire le migliori prestazioni e prolungare la durata del motore. Questo carburante contiene sostanze chimiche meno pericolose rispetto al normale carburante, che riduce le emissioni di scarico pericolose. Con questo carburante, che mantiene i componenti del motore più puliti, la quantità di residui dopo la combustione è inferiore.

## Per miscelare il carburante

### Benzina

- Utilizzare benzina senza piombo di buona qualità con massimo il 10% di etanolo.



**ATTENZIONE:** Non utilizzare benzina con un numero di ottani inferiore a 90 RON/87 AKI. Un numero inferiore di ottani può causare il battito in testa del motore, che provoca danni al motore.

### Olio per motori a due tempi

- Per risultati e prestazioni ottimali, utilizzare l'olio per motori a due tempi McCulloch.
- Se l'olio per motori a due tempi McCulloch non è disponibile, utilizzare un olio per motori a due tempi raffreddati ad aria di buona qualità. Rivolgetevi al vostro rivenditore addetto all'assistenza per selezionare il tipo di olio.



**ATTENZIONE:** Non usare mai olio per motori fuoribordo a due tempi raffreddati ad acqua. Non utilizzare olio per motori a quattro tempi.

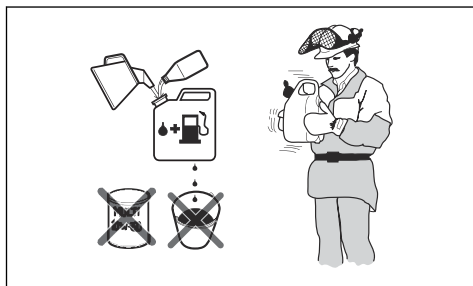
### Per miscelare benzina e olio per motori a due tempi

Benzina, litri	Olio a due tempi, litri
----------------	-------------------------

	<b>2% (50:1)</b>
5	0,10
10	0,20
15	0,30
20	0,40
<b>Gallone americano</b>	<b>Stati Uniti fl. oz.</b>
1	2 ½
2 1/2	6 ½
5	12 ¾



**ATTENZIONE:** Piccoli errori possono influenzare drasticamente il rapporto della miscela quando si miselano piccole quantità di carburante. Misurare con precisione la quantità d'olio e accertarsi di ottenere la giusta miscela.



1. Riempire metà della quantità di benzina in un contenitore pulito per carburante.
2. Aggiungere la quantità totale di olio.
3. Mescolare la miscela.
4. Aggiungere la quantità residua di benzina nel contenitore.
5. Mescolare agitando con cura la miscela di carburante.



**ATTENZIONE:** Non mescolare il carburante più di 1 volta al mese.

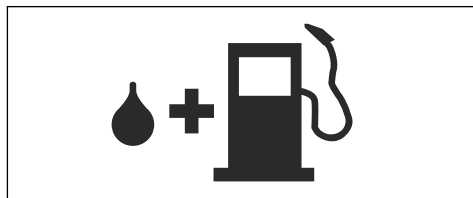
### Rifornimento di carburante



**AVVERTENZA:** Attenersi alla procedura indicata di seguito per la propria sicurezza.

1. Arrestare il motore e farlo raffreddare.

2. Pulire l'area intorno al tappo del serbatoio del carburante.



3. Agitare il contenitore e assicurarsi che il carburante sia ben mescolato.
4. Rimuovere lentamente il tappo del serbatoio del carburante per rilasciare la pressione.
5. Riempire il serbatoio del carburante.



**ATTENZIONE:** Assicurarsi che nel serbatoio non vi sia una quantità eccessiva di carburante. Il carburante si espande quando si scalda.

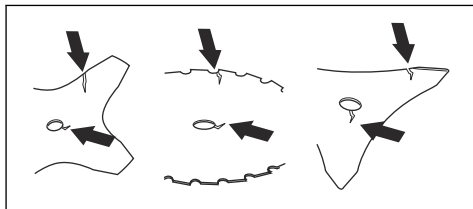
6. Stringere con cura il tappo del serbatoio del carburante.
7. Pulire eventuale carburante fuoriuscito sul prodotto e intorno ad esso.
8. Spostare il prodotto ad almeno 3 m/10 ft dal luogo e dalla fonte di rifornimento prima di avviare il motore.

**Nota:** Per individuare il serbatoio del carburante sul prodotto, fare riferimento a *Panoramica del prodotto alla pagina 185*.

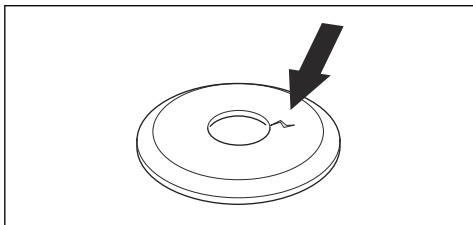
## Per avviare e arrestare il motore

### Prima di utilizzare il prodotto

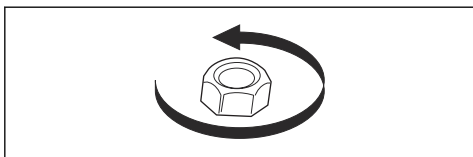
- Esaminare l'area di lavoro per assicurarsi di conoscere il tipo di terreno, la pendenza e la presenza di ostacoli quali pietre, rami e fossi.
- Eseguire un'ispezione e revisione del prodotto.
- Eseguire i controlli di sicurezza, manutenzione ed assistenza indicati nel presente manuale.
- Assicurarsi che tutti i coperchi, le protezioni, le maniglie e l'attrezzatura di taglio siano fissati correttamente e non siano danneggiati.
- Assicurarsi che non vi siano incrinature sul fondo della lama per sfrascatura, sui denti della lama tagliaerba o in prossimità del foro centrale della lama. Sostituire la lama se danneggiata.



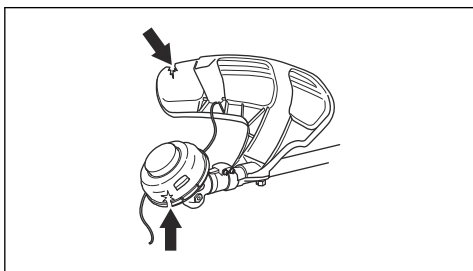
- Esaminare che la flangia di sostegno non presenti incrinature. Sostituire la flangia di sostegno se danneggiata.



- Assicurarsi che il controdado non possa essere rimosso manualmente. Se è possibile rimuoverlo manualmente, il controdado non blocca il gruppo di taglio in modo adeguato ed è necessario sostituirlo.



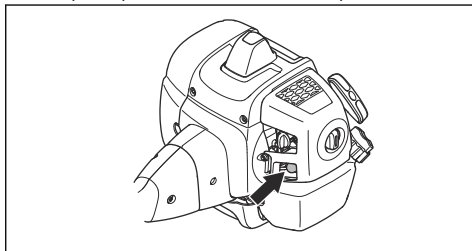
- Controllare se la protezione della lama presenta danni o incrinature. Sostituire la protezione della lama nel caso in cui sia stata colpita o se è danneggiata.
- Esaminare la testina portafilo e la protezione del gruppo di taglio per rilevare eventuali danni o incrinature. Sostituire la testina portafilo e la protezione del gruppo di taglio nel caso in cui siano stati colpiti o se presentano incrinature.



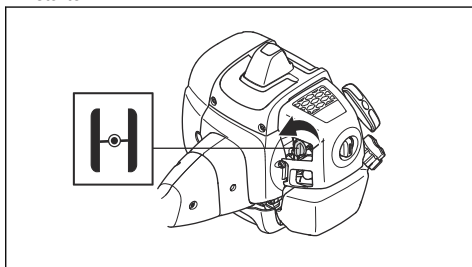
## Avviamento del motore

1. Posizionare il prodotto su una superficie piana e stabile. Mantenere il gruppo di taglio lontano dal terreno.

2. Premere più volte il primer fino a quando il bulbo non comincia a riempirsi di carburante. Non è necessario riempire il primer del carburante completamente.

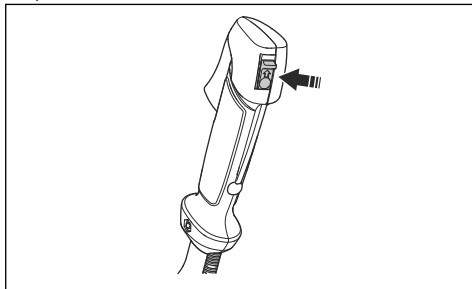


3. Portare la leva del comando dell'aria in posizione di starter.



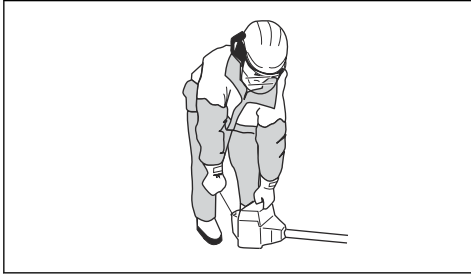
**AVVERTENZA:** Il gruppo di taglio inizia immediatamente a ruotare quando si accende il motore con la leva di comando dell'aria.

4. Portare l'interruttore di avviamento/arresto in posizione RUN.





5. Mantenere il corpo del prodotto a terra con la mano sinistra.



6. Tenere l'impugnatura della fune di avviamento con la mano destra.  
7. Tirare lentamente la fune di avviamento con la mano destra fino a quando non si avverte una certa resistenza.



**AVVERTENZA:** Non avvolgere la fune di avviamento intorno alla mano.

8. Tirare velocemente la fune con energia. Tirare nuovamente la fune di avviamento con movimenti decisi e veloci fino all'avviamento del motore.

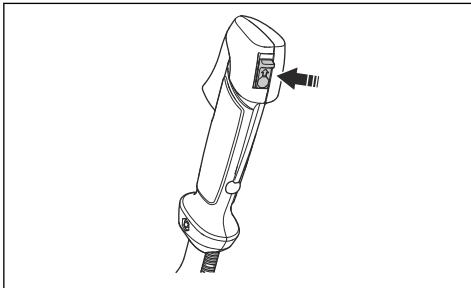


**ATTENZIONE:** Non estrarre completamente la fune di avviamento e non lasciare l'impugnatura di avviamento con la fune completamente estesa. Ciò può causare danni al prodotto.

9. Riportare immediatamente la valvola dell'aria in posizione iniziale quando si accende il motore.  
10. Azionare l'acceleratore progressivamente quando si avvia il motore.  
11. Accertarsi che il motore funzioni regolarmente e lasciarlo riscaldare per 1-2 minuti prima di utilizzare il prodotto.

## Arresto del prodotto

- Premere l'interruttore di arresto per arrestare il motore.



## Spinta della lama

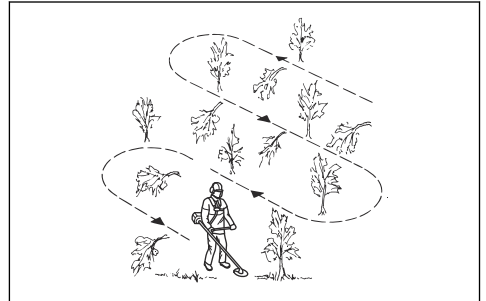
- La spinta della lama è un movimento improvviso del prodotto su un lato, in avanti o indietro. La spinta della lama si verifica quando la lama tagliaerba colpisce o si impiglia in un oggetto che non è possibile tagliare. Nelle aree dove non è facile vedere il materiale da tagliare, il rischio di spinta della lama è maggiore.
- Quando si verifica la spinta della lama, vi è pericolo che il prodotto o l'operatore si spostino dalla relativa posizione. Una lama in movimento può colpire i presenti con conseguente rischio di lesioni.
- Se una lama è piegata, presenta crinature, è rotta o danneggiata, eliminarla.
- Utilizzare una lama affilata. Il rischio di spinta della lama aumenta se la lama non è affilata.

## Istruzioni di lavoro generali



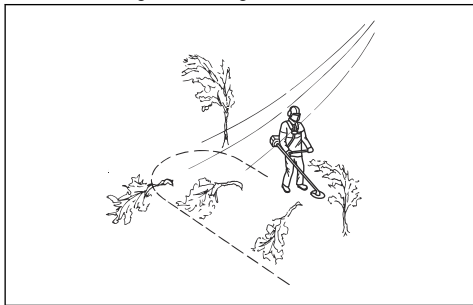
**AVVERTENZA:** Prestare la massima attenzione quando si taglia un albero teso. Questo può tornare alla sua normale posizione prima o dopo il taglio e colpire l'utente o il prodotto, nonché causare lesioni.

- Pulire uno spazio aperto su una delle estremità della zona di lavoro e avviare il lavoro da lì.
- Spostarsi seguendo uno schema regolare in tutta l'area di lavoro.



- Spostare il prodotto completamente a sinistra e a destra per sfoltire una larghezza di 4-5 m a volta.
- Sfolire una lunghezza di 75 m prima di girarsi e tornare indietro. Portare la tanica di carburante con sé mentre si procede.
- Spostarsi in una direzione in cui non si attraversano fossati e ostacoli più del necessario.

- Spostarsi in una direzione in cui il vento faccia cadere la vegetazione tagliata nell'area sfoltita.



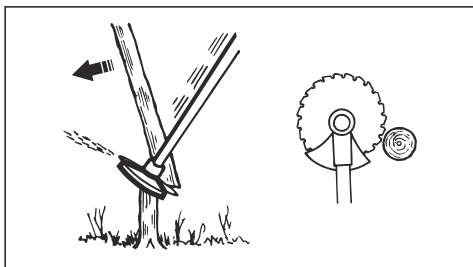
- Spostarsi lungo i terreni in pendenza, non verso l'alto e verso il basso.

## Sfoltimento forestale con lama per sfrascatura

### Per far cadere un albero verso sinistra

Per far cadere il tronco verso sinistra spingere la sua parte inferiore verso destra.

1. Dare pieno gas.
2. Posizionare la lama per sfrascatura contro il tronco come indicato nell'immagine.
3. Inclinare la lama e spingerla con forza in diagonale verso il basso a destra. Spingere contemporaneamente il tronco con la protezione della lama.

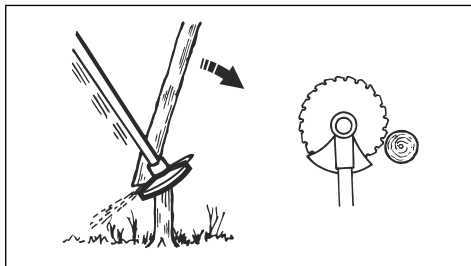


### Per far cadere un albero verso destra

Per far cadere il tronco verso destra spingere la sua parte inferiore verso sinistra.

1. Dare pieno gas.
2. Posizionare la lama per sfrascatura contro il tronco come indicato nell'immagine.

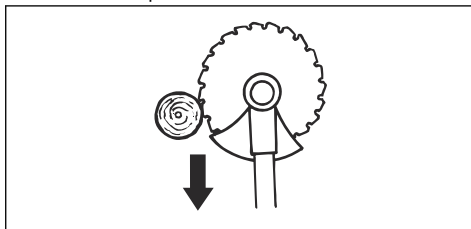
3. Inclinare la lama e spingerla con forza in diagonale verso l'alto e verso destra. Spingere contemporaneamente il tronco con la protezione della lama.



### Per far cadere un albero in avanti

Per far cadere il tronco in avanti spingere la parte inferiore del tronco all'indietro.

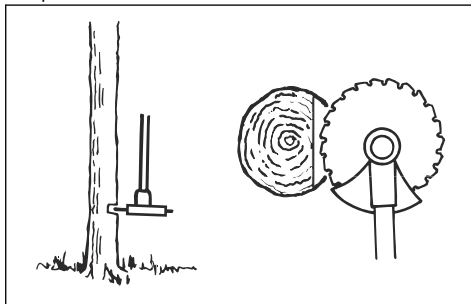
1. Dare pieno gas.
2. Posizionare la lama per sfrascatura contro il tronco come indicato nell'immagine.
3. Tirare la lama per sfrascatura all'indietro con un movimento rapido.



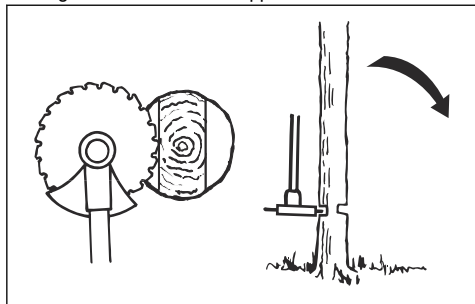
### Per abbattere alberi di grandi dimensioni

I tronchi di grandi dimensioni devono essere segati da 2 parti.

1. Valutare la direzione di caduta dell'albero.
2. Dare pieno gas.
3. Eseguire il primo taglio sul lato dell'albero verso il quale cadrà.



#### 4. Tagliare l'albero dal lato opposto.



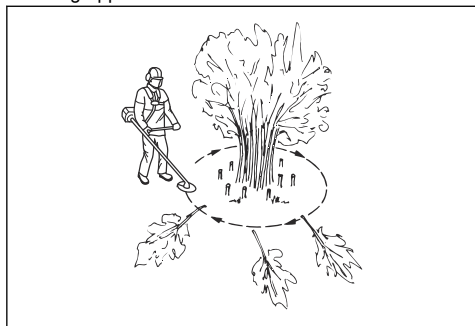
**ATTENZIONE:** Se la lama per sfrascatura si blocca non tirare il prodotto con un movimento brusco. Ciò può causare danni alla lama per sfrascatura, al riduttore angolare, all'albero o al manubrio. Rilasciare le impugnature, tenere l'albero con entrambe le mani e tirare con cautela il prodotto.

**Nota:** Utilizzare una pressione di taglio maggiore per abbattere piccoli alberi. Utilizzare una pressione di taglio minore per abbattere alberi più grandi.

#### Sfoltimento dei cespugli con lama per sfrascatura

Per far cadere il tronco verso sinistra spingere la sua parte inferiore verso destra.

- Abbattere alberi sottili e cespugli.
- Spostare il prodotto da un lato all'altro.
- Tagliare molti alberi in un solo movimento.
- Per gruppi di alberi sottili:



- a) Tagliare gli alberi esterni nella parte alta.
- b) Tagliare gli alberi esterni all'altezza corretta.

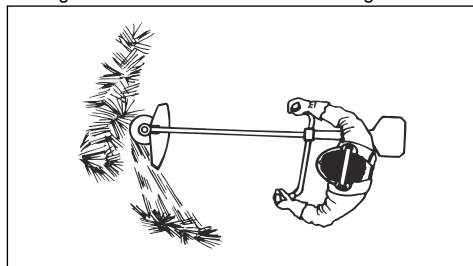
- c) Tagliare partendo dal centro. Se non è possibile accedere alla parte centrale, tagliare gli alberi esterni nella parte alta e lasciarli cadere a terra. Questo consente di ridurre il rischio che la lama per sfrascatura si blocchi.

#### Sfoltimento dell'erba con lama tagliaerba



**ATTENZIONE:** Non usare lame tagliaerba e coltelli per erba su parti legnose. Usare solo lame tagliaerba e coltelli per erba lunga o fitta.

- Spostare il prodotto da un lato all'altro.
- Iniziare a muoversi da destra a sinistra quando si taglia. Spostare il prodotto a destra prima di tagliare nuovamente.
- Tagliare con il lato sinistro della lama tagliaerba.

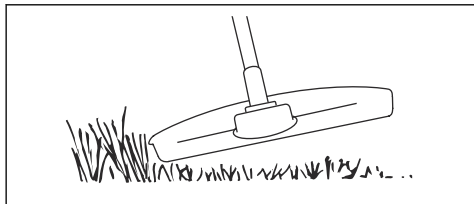


- Inclinare la lama tagliaerba a sinistra per far cadere l'erba su una riga. Ciò rende più facile la raccolta dell'erba.
- Mantenere una posizione stabile con i piedi divaricati.
- Spostarsi in avanti dopo ogni movimento verso destra e accertarsi nuovamente di avere una posizione stabile prima di tagliare ancora.
- Mantenere la coppa di sostegno contro il terreno con una leggera pressione e assicurarsi che la lama tagliaerba non urti contro il terreno.
- Rispettare queste istruzioni d'uso per diminuire il rischio che il materiale tagliato si avvolga attorno alla lama tagliaerba.
  - a) Dare pieno gas.
  - b) Non spostare la lama tagliaerba attraverso il materiale tagliato quando si sposta il prodotto da sinistra a destra.
- Prima di raccogliere il materiale tagliato, arrestare il motore e rimuovere il prodotto dal cinghiao. Posizionare il prodotto sul terreno.

## Bordatura dell'erba con testina portafilo

### Taglio dell'erba

1. Mantenere la testina portafilo a poca distanza dal terreno ed angolarla. Non spingere il filo del trimmer nell'erba.



2. Ridurre la lunghezza del filo del trimmer di 10-12 cm / 4-4,75 in.
3. Diminuire il regime del motore per ridurre il rischio di danneggiare le piante.
4. Utilizzare l'80% dell'acceleratore durante il taglio dell'erba in prossimità di oggetti.



### Sfoltimento erba

1. Mantenere la testina portafilo sopra il terreno.
2. Inclinare la testina portafilo.
3. Eseguire il taglio con l'estremità del filo del trimmer intorno agli oggetti presenti nell'area di lavoro.

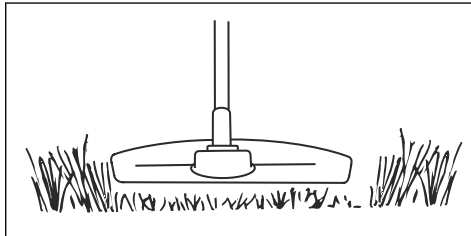


**ATTENZIONE:** Taglio dell'erba. Altri oggetti colpiti dal filo del trimmer ne aumentano l'usura.

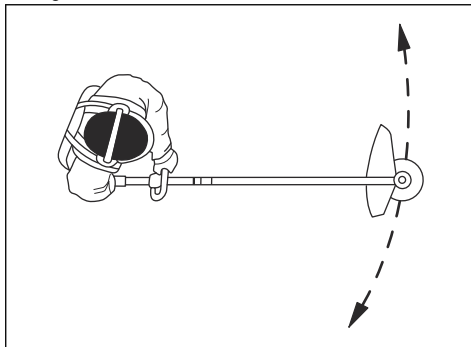
4. Utilizzare l'80% della velocità durante il taglio e lo sfoltimento della vegetazione. Questo riduce l'usura della testina portafilo e del filo del trimmer.

### Taglio dell'erba

1. Assicurarsi che la linea del trimmer sia parallela al terreno durante il taglio dell'erba.



2. Non spingere la testina portafilo a terra. Ciò può causare danni al prodotto.
3. Spostare il prodotto da un lato all'altro quando si taglia l'erba. Utilizzare la velocità massima.



### Rimozione dell'erba

Il flusso d'aria dal filo di taglio in rotazione del trimmer può essere utilizzata per rimuovere erba tagliata da un'area.

1. Mantenere la testina portafilo e il filo di taglio paralleli al terreno e sopra di esso.
2. Accelerare al massimo.
3. Spostare la testina portafilo da un lato all'altro e spazzare via l'erba.



**AVVERTENZA:** Pulire il coperchio della testina portafilo ogni volta che si monta un nuovo filo di taglio per prevenire lo sbilanciamento e le vibrazioni delle impugnature. Eseguire un controllo delle altre parti della testina portafilo e pulirla, se necessario.

# Manutenzione

## Introduzione

prima di eseguire la manutenzione del prodotto.



**AVVERTENZA:** Leggere attentamente il capitolo sulla sicurezza

## Programma di manutenzione

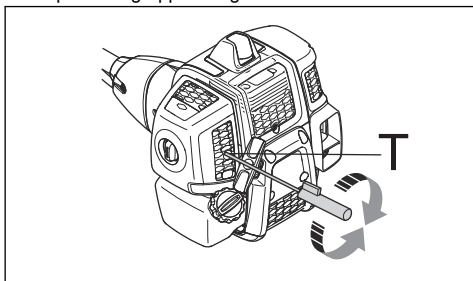
Manutenzione	Giornaliera	Una volta a settimana	Una volta al mese
Pulire la superficie esterna.	X		
Verificare la presenza di eventuali danni al cinghiaggio.	X		
Effettuare un controllo del blocco del grilletto acceleratore e del grilletto stesso. Fare riferimento a <i>Controllo del blocco del grilletto acceleratore alla pagina 189.</i>	X		
Verificare la presenza di eventuali danni all'impugnatura e al manubrio e assicurarsi che siano fissati correttamente.	X		
Effettuare un controllo dell'interruttore di arresto. Fare riferimento a <i>Controllo dell'interruttore di arresto alla pagina 190.</i>	X		
Controllare che il gruppo di taglio non ruoti con il motore al minimo.	X		
Pulire il filtro dell'aria. Sostituire, se danneggiato.	X		
Controllare se la protezione del gruppo di taglio presenta danni o incrinature.	X		
Assicurarsi che la lama per sfrascatura o la lama tagliaerba sia collegata correttamente. Assicurarsi che la lama per sfrascatura o la lama tagliaerba sia affilata e non danneggiata.	X		
Controllare se la testina portafilo presenta danni o incrinature. Sostituire, se danneggiato.	X		
Serrare il controdado completamente sui gruppi di taglio con controdado.	X		
Verificare la presenza di eventuali danni alla protezione di trasporto e assicurarsi che possa essere fissata correttamente.	X		
Serrare dadi e viti.	X		
Esaminare il motore, il serbatoio del carburante e le tubazioni del carburante per accertare eventuali perdite.	X		
Esaminare il motorino di avviamento e la corda di avviamento per rilevare eventuali danni.		X	
Esaminare la candela. Fare riferimento a <i>Per esaminare la candela alla pagina 207.</i> Sostituire la candela secondo necessità. Accertarsi che la candela sia munita di un dispositivo di soppressione.		X	
Pulire la superficie esterna del carburatore e la zona circostante.		X	
Accertarsi che il riduttore angolare sia riempito con il grasso corretto. Fare riferimento a <i>Riduttore angolare alla pagina 207.</i>		X	
Verificare la presenza di eventuali contaminanti nel filtro del carburante e che il tubo pescante non presenti incrinature o altri difetti. Sostituire se necessario.			X

Manutenzione	Giornaliera	Una volta a settimana	Una volta al mese
Esaminare tutti i cavi e i raccordi.			X
Sostituire la candela. Accertarsi che la candela sia munita di un dispositivo di soppressione.			X

## Regolazione del regime minimo

Lo spillo ad alta e quello a bassa velocità sono fissati permanentemente e non possono essere regolati. Il regime minimo è l'unica funzione che può essere regolata.

1. Avviare il motore e accertarsi che si riscaldi prima di cominciare a regolare la velocità al minimo.
2. Girare la vite del regime minimo in senso orario fino a quando il gruppo di taglio comincia a ruotare.



3. Girare la vite del regime minimo in senso antiorario fino a quando il gruppo di taglio si arresta.
4. Deve esserci un buon margine fino al regime in cui il gruppo di taglio comincia a ruotare. Il regime minimo è corretto quando il motore funziona regolarmente in tutte le posizioni.

## Manutenzione della marmitta

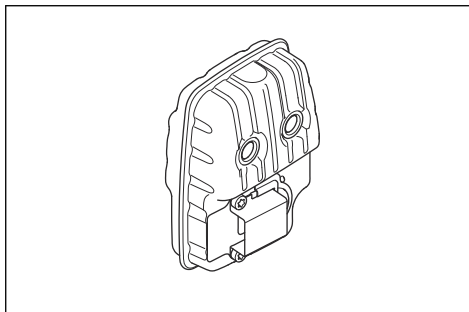
La marmitta riduce il livello di rumorosità e allontana i gas di scarico dall'operatore.



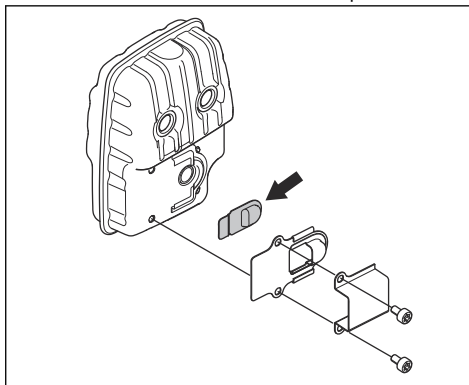
**AVVERTENZA:** La marmitta che dispone di un convertitore catalitico diventa molto calda durante il funzionamento e resta calda per un po' di tempo dopo aver arrestato il prodotto. Questo vale anche con il motore al minimo. Se si tocca il prodotto, si può rimanere ustionati. Prestare attenzione al rischio di incendio.

1. Spegner il prodotto e lasciarlo raffreddare.

2. Rimuovere la marmitta.



3. Rimuovere le viti che fissano la retina parascintille.



4. Pulire la retina parascintille se è bloccata o sostituirla se è danneggiata.



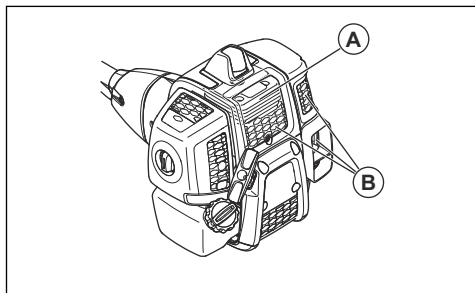
**ATTENZIONE:** Se la retina parascintille è danneggiata, è necessario sostituirla. Non utilizzare mai un prodotto con la retina parascintille mancante o danneggiata.



**ATTENZIONE:** Se la retina si ostruisce spesso, può essere che le funzioni del convertitore catalitico siano ridotte. Per un'ispezione della marmitta, contattare l'assistenza. Una retina parascintille ostruita provoca il surriscaldamento della macchina con conseguenti danni a cilindro e pistone.

## Per pulire/ eseguire la manutenzione del sistema di raffreddamento

Questo prodotto è provvisto di sistema di raffreddamento. Se il sistema di raffreddamento è sporco o ostruito, può provocare il surriscaldamento del prodotto, con conseguenti danni a cilindro e pistone. Controllare e pulire il sistema di raffreddamento con una spazzola una volta alla settimana o più spesso se necessario. Il sistema di raffreddamento è dotato di alette di raffreddamento sul cilindro (A) e sulla presa d'aria (B).



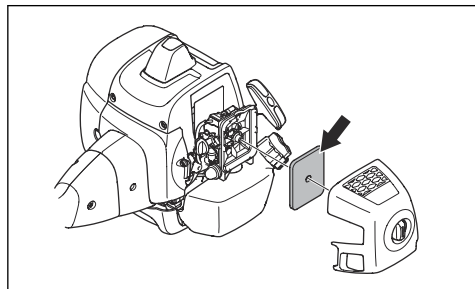
### Filtro dell'aria

Un filtro dell'aria sporco può causare malfunzionamenti del carburatore, problemi di avviamento, calo di potenza del motore e usura dei componenti del motore. Inoltre fa sì che il motore utilizzi più carburante di quanto necessario. Pulire il filtro a intervalli di 8 ore o più frequentemente se il prodotto è utilizzato in un ambiente polveroso.

**Nota:** Può essere necessario regolare il motore quando il filtro dell'aria è stato pulito o sostituito. Vedere *Regolazione del regime minimo alla pagina 206*.

### Pulizia e ispezione del filtro dell'aria

1. Rimuovere il filtro dell'aria.



2. Pulire con aria compressa il filtro dell'aria in feltro.



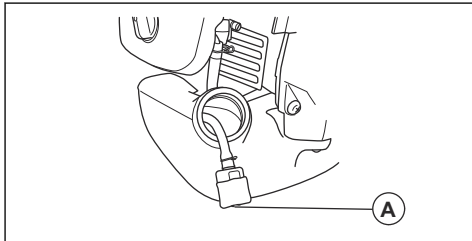
**ATTENZIONE:** Sostituire il filtro dell'aria in feltro se non può essere pulito

completamente. Sostituire sempre un filtro dell'aria in feltro danneggiato.

3. Pulire la superficie interna del coperchio del filtro dell'aria. Utilizzare aria compressa o una spazzola.

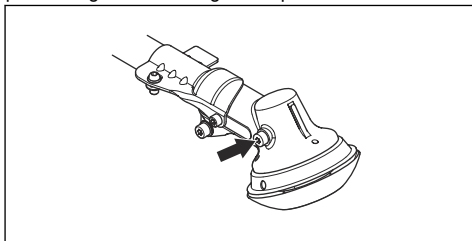
### Filtro del carburante

Quando non arriva più carburante al motore, controllare che il foro per l'aria nel tappo del serbatoio del carburante e il filtro del carburante (A) non siano intasati.



### Riduttore angolare

Il riduttore angolare è stato riempito in fabbrica con la giusta quantità di grasso. Però, prima di utilizzare il prodotto, assicurarsi che il riduttore angolare sia pieno per 3/4 di grasso. Usare grasso speciale McCulloch.



Non è necessario sostituire il grasso nel riduttore angolare a meno che questo non venga riparato.

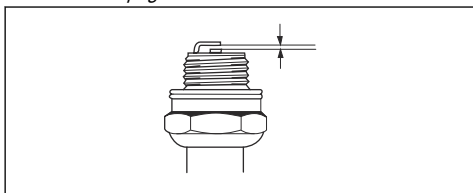
### Per esaminare la candela



**ATTENZIONE:** Usare candele originali o del tipo raccomandato. Un tipo di candela errato può danneggiare il prodotto.

- Controllare la candela nel caso in cui il motore giri a bassa potenza, risulti difficile da avviare o non funzioni correttamente al regime minimo.
- Per ridurre il rischio di accumulo di materiale superfluo sugli elettrodi delle candele, osservare le seguenti istruzioni:
  - a) Accertarsi che il regime minimo sia regolato correttamente.
  - b) Accertarsi che la miscela sia corretta.
  - c) Accertarsi che il filtro dell'aria sia pulito.

- Se la candela è incrostata, pulirla e controllare che la distanza tra gli elettrodi sia corretta; vedere *Dati tecnici alla pagina 208*.
- Sostituire la candela secondo necessità.



## Dati tecnici

	<b>B40 B Elite</b>	<b>B40 BT Elite</b>
<b>Motore</b>		
Cilindrata, cm <sup>3</sup>	40,1	40,1
Diametro del cilindro, Ø mm	40,5	40,5
Lunghezza corsa del cilindro, mm	31,1	31,1
Regime minimo, giri/min	3000	3000
Regime di massima raccomandato, giri/min	12000	12000
Regime albero in uscita, giri/min	8220	8220
Potenza max. motore a norma ISO 8893, kW @ giri/min.	1,5 @ 9000	1,5 @ 9000
<b>Impianto di accensione</b>		
Candela	NGK CMR7H-10	NGK CMR7H-10
Distanza tra gli elettrodi, mm	0,9-1,0	0,9-1,0
<b>Carburante e sistema di lubrificazione</b>		
Marca/tipo carburatore	Ruixing H225D-	Ruixing H225D-
Capacità del serbatoio del carburante, l/cm <sup>3</sup>	1 / 1000	1 / 1000
<b>Peso</b>		
Escluso carburante, gruppo di taglio e protezione, kg	7,3	7,4
<b>Emissioni di rumore<sup>22</sup></b>		
Livello potenza acustica, misurato dB(A)	112	112
Livello di potenza acustica, garantito L <sub>WA</sub> dB(A)	118	118

<sup>22</sup> Emissioni di rumore nell'ambiente misurate come potenza sonora (L<sub>WA</sub>) in base alla direttiva CE 2000/14/CE. Il livello di potenza acustica riportato per il macchinario è stato misurato con il gruppo di taglio originale che emette il livello massimo. La differenza tra potenza acustica misurata e garantita è che la potenza acustica garantita comprende anche la dispersione nel risultato di misurazione e le variazioni tra le diverse macchine dello stesso modello come da Direttiva 2000/14/CE.



	B40 B Elite	B40 BT Elite
<b>Livelli di rumorosità<sup>23</sup></b>		
Livello di pressione acustica equivalente rispetto all'udito dell'operatore, misurato in base alle norme EN/ISO 11806 e ISO 22868, dB(A), min/max		
Equipaggiato con testina portafilò (originale)	100	100
Equipaggiato con lama tagliaerba (originale)	99	99
Equipaggiato con lama per sfrascatura (originale)	–	99
<b>Livelli di vibrazioni<sup>24</sup></b>		
Livelli di vibrazione equivalenti ( $a_{hv,eq}$ ) all'impugnatura, misurati in base alle norme EN ISO 11806 e ISO 22867, in $m/s^2$		
Equipaggiato con testina portafilò (originale), sinistra/destra	3,4 / 4,4	3,4 / 4,4
Equipaggiato con lama tagliaerba (originale), sinistra/destra	5,2 / 5,1	5,2 / 5,1
Equipaggiato con lama per sfrascatura (originale), sinistra/destra	–	4,5 / 4,2

<b>B40 B Elite, B40 BT Elite</b>		
<b>Accessori omologati</b>	<b>Tipo</b>	<b>Protezione gruppo di taglio, n° codice</b>
Foro centrale di lame/taglienti, Ø 25,4 mm		
Passo albero in uscita M12		
Lama/coltello tagliaerba	Lama tagliaerba 255-4 1" (Ø 255 4 denti)	580 30 50-01
	Lama tagliaerba 255-3 (Ø 255, 3 denti)	580 30 50-01
Lama per sfrascatura	Lama per sfrascatura 200-22 (Ø 200-22 denti)	581 33 84-01
Testina portafilò	P35	580 30 50-01
Coppa di sostegno	Fissa	–

<sup>23</sup> I dati riportati per il livello di pressione acustica equivalente hanno una dispersione statistica tipica (deviazione standard) di 1 dB(A).

<sup>24</sup> I dati riportati per il livello di vibrazioni presentano una dispersione statistica tipica (deviazione standard) di 1  $m/s^2$ .

---

# Dichiarazione di conformità CE

---

## Dichiarazione di conformità CE

**Husqvarna AB**, SE-561 82 Husqvarna, Svezia, tel: +46-36-146500, dichiara con la presente che il trimmer **McCulloch B40 B Elite**, a partire dai numeri di serie del 2021 (l'anno viene evidenziato nella targhetta dati di funzionamento seguito dal numero di serie) è conforme alle disposizioni della DIRETTIVA DEL CONSIGLIO:

- del 17 maggio 2006 "sulle macchine" **2006/42/CE**
- del 26 febbraio 2014 "sulla compatibilità elettromagnetica" **2014/30/EU**.
- dell'8 maggio 2000 "sulle emissioni di rumore nell'ambiente" **2000/14/EC**. Valutazione della conformità eseguita ai sensi dell'Allegato V. Per informazioni sulle emissioni di rumore, vedere il capitolo Dati tecnici.
- dell'8 giugno 2011 sulla "restrizione dell'uso di determinate sostanze pericolose nelle apparecchiature elettriche ed elettroniche" **2011/65/UE**.

Sono state applicate le seguenti norme:

**EN ISO 12100:2010, CISPR 12:2007+A1:2009, EN ISO 14982:2009, EN ISO 11806-1:2011, EN IEC 63000:2018**

RISE SMP Svensk Maskinprovning AB, Box 7035, SE-750 07 Uppsala, Sweden ha eseguito l'omologazione volontaria per conto di Husqvarna AB. I certificati recano il codice: **SEC/12/2339** - B40 B Elite, B40 BT Elite

RISE SMP Svensk Maskinprovning AB ha inoltre l'accordo verificato con l'Appendice V della Direttiva del Consiglio 2000/14/CE.

Husqvarna, 2020-08-25



Pär Martinsson, Responsabile sviluppo (rappresentante autorizzato per Husqvarna AB e responsabile della documentazione tecnica)

---

## Contenido

---

Introducción.....	211	Mantenimiento.....	232
Seguridad.....	214	Datos técnicos.....	235
Montaje.....	222	Declaración de conformidad CE.....	237
Funcionamiento.....	225	.....	0

---

## Introducción

---

### Descripción del producto

Este producto es una desbrozadora con motor de combustión.

Trabajamos constantemente para mejorar la seguridad y la eficiencia durante el uso del producto. Póngase en contacto con su distribuidor para obtener más información.

### Uso previsto

Utilice el producto con una hoja de sierra, una hoja para hierba o un cabezal de corte para cortar distintos tipos de vegetación. No utilice el producto para otras tareas

diferentes a cortar o desbrozar hierba, o trabajos de desbroce forestal. Utilice una hoja de sierra para cortar vegetación fibrosa. Utilice una hoja para hierba o un cabezal de corte para cortar la hierba.

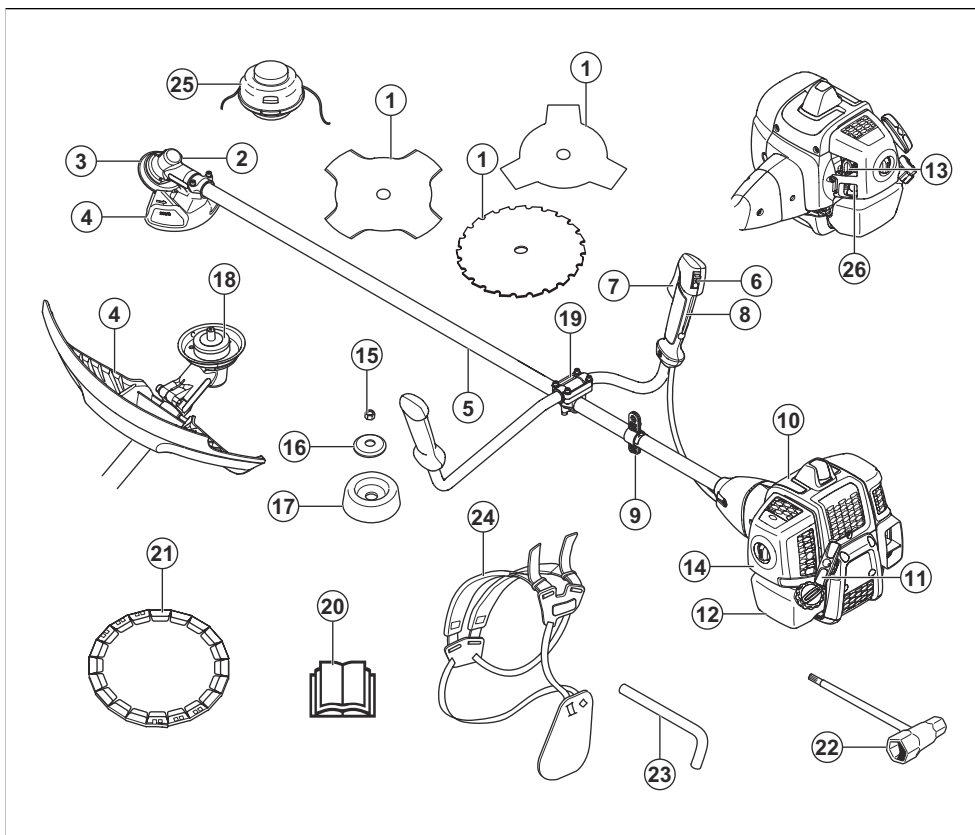
---

**Nota:** El uso podría estar regulado por los reglamentos nacionales o locales. Observe los reglamentos indicados.

---

Utilice el producto solo con accesorios homologados por el fabricante. Consulte la sección *Datos técnicos en la página 235*.

## Descripción del producto



- |  |  |
|--|--|
| 1. Hoja (no para todos los mercados)         | 19. Sujeción de la empuñadura                                |
| 2. Recarga de lubricante, engranaje angulado | 20. Manual de usuario  |
| 3. Engranaje angulado                        | 21. Protección para transportes (no para todos los mercados) |
| 4. Protector del equipo de corte             | 22. Llave de cubo  |
| 5. Eje                                       | 23. Pasador de bloqueo (para productos sin llave hexagonal)  |
| 6. Botón de parada                           | 24. Arnés  |
| 7. Gatillo del acelerador                    | 25. Cabezal de corte   |
| 8. Válvula de descompresión                  | 26. Perilla de la bomba de combustible                       |
| 9. Argolla de suspensión                     |  |
| 10. Conjunto                                 |  |
| 11. Empuñadura de la cuerda de arranque      |  |
| 12. Depósito de combustible                  |  |
| 13. Control del estrangulador                |  |
| 14. Cubierta del filtro de aire              |  |
| 15. Tuerca de bloqueo                        |  |
| 16. Brida de apoyo                           |  |
| 17. Cazoleta de apoyo                        |  |
| 18. Pieza de arrastre                        |  |

## Símbolos que aparecen en el producto



¡ADVERTENCIA! Este producto es peligroso. Si el producto no se usa con cuidado y de la forma correcta, el usuario o las personas que se encuentren cerca pueden sufrir lesiones personales o incluso la muerte. Para evitar lesiones graves al usuario o a cualquier persona

que se encuentre cerca, lea y cumpla todas las instrucciones de seguridad descritas en el manual de usuario.



Lea detenidamente el manual de usuario y asegúrese de que entiende las instrucciones antes de usar la máquina.



Utilice un casco protector si trabaja en un lugar donde puedan caerle objetos. Utilice protección auditiva homologada. Utilice protección ocular homologada.



Utilice guantes protectores homologados.



Utilice botas de trabajo antideslizantes.



El producto puede provocar que los objetos salgan despedidos y esto puede causar lesiones.



Velocidad máxima del eje de salida.



Mantenga siempre a las personas y los animales a una distancia mínima de 15 m/ 50 pies durante el funcionamiento del producto.



Existe riesgo de lanzada de hoja si el equipo de corte entra en contacto con un objeto que no pueda cortar inmediatamente. El producto puede cortar partes del cuerpo. Mantenga siempre a las personas y los animales a una distancia mínima de 15 m/50 pies durante el funcionamiento del producto.



Utilice solo un hilo de corte flexible. No utilice elementos de corte metálicos. Aplique esto con el accesorio de protección para hierba.



Las flechas muestran el límite de la posición del manillar.



Perilla de la bomba de combustible.



Llene con combustible.



Estrangulador.



Emisiones sonoras al medio ambiente conformes con la directiva europea 2000/14/CE y con la regulación de 2017 sobre de protección del medio ambiente (control de ruidos) (Protection of the Environment Operations - Noise Control) de la legislación de Nueva Gales del Sur. Los datos sobre las emisiones sonoras se pueden encontrar en la etiqueta de la máquina y en *Datos técnicos en la página 235*.



El producto cumple con las directivas CE vigentes.

aaaassxxxx

En la placa de características o en la impresión láser se indica el número de serie. **aaaa** es el año de producción y **ss** es la semana de producción.

**Nota:** Los demás símbolos/etiquetas que aparecen en el producto corresponden a requisitos de homologación específicos en otras zonas comerciales.

## Responsabilidad sobre el producto

Como se estipula en las leyes de responsabilidad del producto, no nos hacemos responsables de los daños y perjuicios causados por nuestro producto si:

- El producto se ha reparado incorrectamente.
- El producto se ha reparado con piezas que no eran del fabricante o no autorizadas por el fabricante.
- El producto tiene un accesorio que no es del fabricante o no está autorizado por este.
- El producto no se ha reparado en un centro de servicio autorizado o por un organismo homologado.

## Emisiones Euro V



**ADVERTENCIA:** La manipulación del motor anula la homologación de la UE de este producto.

---

# Seguridad

---

## Definiciones de seguridad

Las definiciones siguientes indican el nivel de gravedad para cada palabra de señalización de riesgos.



**ADVERTENCIA:** Lesiones a personas.



**PRECAUCIÓN:** Daños en el producto.

**Nota:** Esta información hace que el producto sea más fácil de usar.

## Instrucciones generales de seguridad



**ADVERTENCIA:** Lea las siguientes instrucciones de advertencia antes de utilizar el producto.

- Este producto genera un campo electromagnético durante el funcionamiento. Este campo magnético puede, en determinadas circunstancias, interferir con implantes médicos activos o pasivos. Para reducir el riesgo de que se den condiciones que provocarían lesiones graves o letales, las personas que utilizan implantes médicos deben consultar con su médico y con el fabricante del implante antes de poner en marcha este producto.
- No utilice el producto si está cansado, enfermo o si se encuentra bajo los efectos de alcohol, drogas o medicamentos. Esto tiene un efecto negativo en su visión, vigilancia, coordinación y capacidad de decisión.
- No use el producto en condiciones atmosféricas desfavorables como niebla, lluvia intensa, tempestad o frío intenso. Trabajar con mal tiempo puede cansar en exceso y crear situaciones peligrosas, como terreno resbaladizo o un cambio imprevisto de la dirección de caída del material cortado.
- Proceda siempre con cuidado y utilice siempre el sentido común. Si después de leer el manual de usuario tiene dudas sobre cualquier procedimiento o cualquier situación de trabajo, consulte a un taller de servicio antes de continuar.
- Retire el sombrero de bujía y deje el producto sin supervisión.

## Instrucciones de seguridad para el montaje



**ADVERTENCIA:** Lea las siguientes instrucciones de advertencia antes de utilizar el producto.

- Utilice guantes protectores homologados cuando monte el producto y el equipo de corte.
- Retire el sombrero de la bujía antes de montar el producto.
- Antes de utilizar el producto, asegúrese de que el manillar y la protección del equipo de corte montados son los correctos.
- Si la protección del equipo de corte está defectuosa o es incorrecta, puede causar lesiones. No utilice un equipo de corte si no está equipado con una protección homologada.
- Monte correctamente la cubierta del embrague y el eje antes de poner en marcha el producto.
- El disco de arrastre y la brida de apoyo deben acoplarse correctamente en el orificio central del equipo de corte. Un equipo de corte mal acoplado puede provocar lesiones o la muerte.
- Coloque el arnés en el producto para evitar que el usuario u otras personas se lesionen.

## Instrucciones de seguridad para el funcionamiento

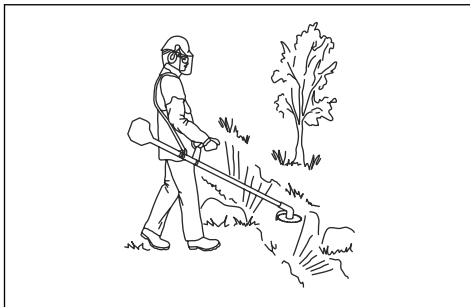


**ADVERTENCIA:** Lea las siguientes instrucciones de advertencia antes de utilizar el producto.

- Antes de usar el producto, conozca la diferencia entre desbroce forestal, desbroce de hierba y recorte de hierba.
- Utilice el equipo de protección personal; consulte *Equipo de protección personal en la página 215*.
- La exposición prolongada al ruido puede causar daños crónicos en el oído. Utilice siempre una protección de oídos homologada.
- Al usar protectores auriculares, debe poder escuchar las señales de advertencia y la voz de alguien que hable en voz alta. Qítense siempre los protectores auriculares en cuanto se detenga el motor.
- No utilice el producto si se modifica o está defectuoso.
- Verifique que el sombrero de bujía y el cable de encendido estén en perfecto estado para evitar el riesgo de descarga eléctrica.
- Observe las inmediaciones del lugar de trabajo para verificar que ninguna persona, ningún animal ni

ningún objeto puedan afectar negativamente a la seguridad durante el uso del producto.

- Observe las inmediaciones del lugar de trabajo para verificar que ninguna persona ni ningún animal puedan entrar en contacto con el equipo de corte ni sufrir el impacto de cualquier objeto que haya salido despedido por el efecto del equipo de corte.
- No utilice el producto en una situación o en un lugar donde no pueda recibir ayuda en caso de accidente.
- No utilice el producto sin la protección homologada para el equipo de corte.
- Mientras trabaje, asegúrese de que las personas o animales guarden una distancia mínima de 15 m/50 pies. Mire siempre detrás de usted antes de dar la vuelta con el producto. Detenga el producto de inmediato si una persona o un animal entran dentro del radio de seguridad de 15 m/50 pies. Si hay más de un usuario trabajando en el mismo lugar, debe establecerse una distancia de seguridad mínima entre ellos de 15 m/50 pies o igual al doble de la altura del árbol.
- Examine la zona de trabajo. Evite los objetos sueltos, como piedras, cristales rotos, clavos, alambres y cuerdas, que puedan salir despedidos o enredarse en el equipo de corte.
- Asegúrese de que se pueda mover de forma segura y mantener una posición estable y segura. Examine el área a su alrededor en busca de posibles obstáculos como raíces, piedras, ramas y zanjas. Tenga cuidado cuando trabaje en pendientes.



- No se estire demasiado. Mantenga una posición estable y equilibrada en todo momento.
- Antes de poner en marcha el producto, colóquelo sobre una superficie plana, a una distancia mínima de 3 m/10 pies del punto de repostaje y del combustible. Asegúrese de que no haya objetos cerca ni en contacto con el equipo de corte.
- Si el equipo de corte gira con el motor a ralentí, lleve el producto a un taller de servicio para que lo ajuste. No utilice el producto hasta que no esté regulado o reparado.
- Tenga cuidado con los objetos que salen despedidos. Utilice siempre protección ocular homologada y manténgase alejado de la protección del equipo de corte. Las piedras y otros objetos

pequeños pueden salir despedidos e impactar en los ojos; esto puede causar ceguera u otras lesiones.

- No apoye el producto con el motor en marcha sin tenerlo bajo control.
- No retire el material cortado ni permita que otras personas lo retiren con el motor en marcha o el equipo de corte en funcionamiento; esto puede dar lugar a lesiones graves.
- Pare siempre el motor y asegúrese de que el equipo de corte ha dejado de girar antes de quitar el material enredado en el eje de la hoja o atrapado entre la protección y el equipo de corte.
- Tenga cuidado al retirar material alrededor del equipo de corte. El engranaje angulado se calienta durante el funcionamiento y puede provocar quemaduras.
- Los gases de escape del motor están calientes y pueden contener chispas. Riesgo de incendio. Tenga cuidado si hay material seco e inflamable cerca.
- No use nunca el producto en interiores o en espacios sin ventilación adecuada. Los gases de escape contienen monóxido de carbono, un gas inodoro, tóxico y muy peligroso.
- Pare el motor antes de cambiar a otro lugar de trabajo. Coloque siempre la protección para transporte antes de mover el equipo.
- La sobreexposición a las vibraciones puede provocar problemas circulatorios y dolencias de carácter nervioso, especialmente en personas con patologías circulatorias. Acuda a un médico si nota síntomas que puedan relacionarse con la sobreexposición a las vibraciones. Son ejemplos de tales síntomas la pérdida de sensibilidad, el 'cosquilleo', las 'punzadas', el dolor, la pérdida o reducción de la fuerza normal o los cambios en el color y la superficie de la piel. Estos síntomas se presentan normalmente en dedos, manos y muñecas. El riesgo puede ser mayor a bajas temperaturas.

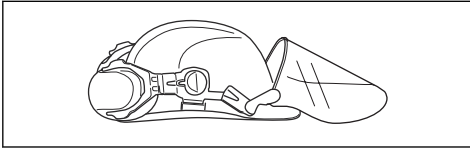
## Equipo de protección personal



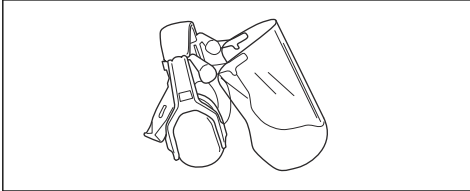
**ADVERTENCIA:** Lea las siguientes instrucciones de advertencia antes de utilizar el producto.

- Para trabajar con el producto, debe utilizar siempre un equipo de protección personal homologado. El equipo de protección personal no elimina completamente el riesgo de lesiones, pero reduce la gravedad de las lesiones en caso de accidente. Deje que el distribuidor le ayude a seleccionar el equipo adecuado.

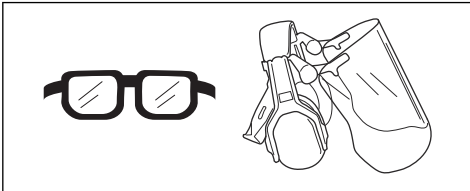
- Utilice un casco si los árboles presentes en el lugar de trabajo tienen una altura de más de 2 m/6,5 pies.



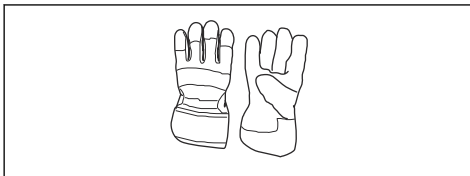
- Utilice protección auditiva homologada.



- Utilice protección ocular homologada. Si se utiliza visor, deben utilizarse también gafas protectoras homologadas. Por gafas protectoras homologadas se entienden las que cumplen con la norma ANSI Z87.1 para EE. UU. o EN 166 para países de la UE.



- Utilice guantes cuando sea necesario, por ejemplo, para el montaje, inspección o limpieza del equipo de corte.



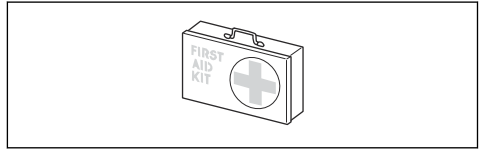
- Use botas de protección con puntera de acero y suela antideslizante.



- Use indumentaria de material resistente. Use siempre pantalones largos y gruesos, y mangas largas. No lleve ropa suelta que pueda quedar atrapada en los arbustos y ramas. No utilice joyas,

pantalones cortos ni sandalias. No vaya con los pies descalzos. Recójase el pelo por encima de los hombros.

- Mantenga cerca el equipo de primeros auxilios.



## Dispositivos de seguridad en el producto

Para obtener más información sobre la ubicación de los dispositivos de seguridad, consulte *Protección del equipo de corte en la página 217*.



**ADVERTENCIA:** Lea las siguientes instrucciones de advertencia antes de utilizar el producto.

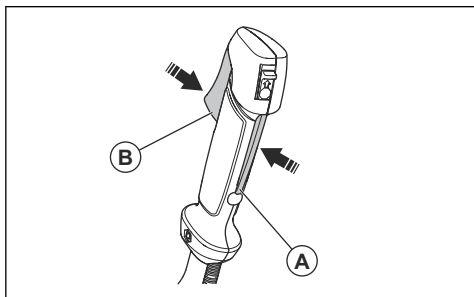
- No utilice un producto que tenga dispositivos de seguridad defectuosos. Realice una comprobación y el mantenimiento de los dispositivos de seguridad con frecuencia. Si los dispositivos de seguridad están defectuosos, hable con su taller de servicio McCulloch.
- No realice ninguna modificación en los dispositivos de seguridad. No utilice el producto si las cubiertas de protección, los interruptores de seguridad u otros dispositivos de protección no están instalados o están dañados.
- Para todos los trabajos de mantenimiento y reparación del producto, sobre todo de los dispositivos de seguridad, es necesario realizar una formación especial. Si los dispositivos de seguridad no superan las comprobaciones indicadas en el manual de usuario, acuda a un taller de servicio. Le ofrecerán un servicio y reparaciones de calidad profesional. Si su distribuidor no es un taller de servicio, pídale información sobre el taller de servicio más cercano.
- No utilice un equipo de corte si no está equipado con una protección homologada y debidamente montada. Consulte *Datos técnicos en la página 235*.

## Comprobación del bloqueo del acelerador

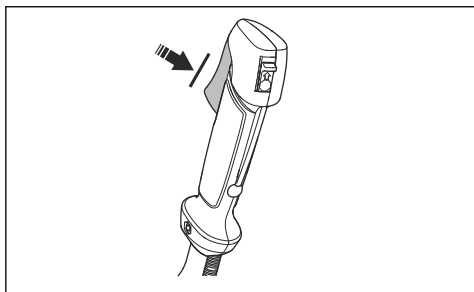
El fiador del acelerador está diseñado para impedir la activación involuntaria del acelerador.



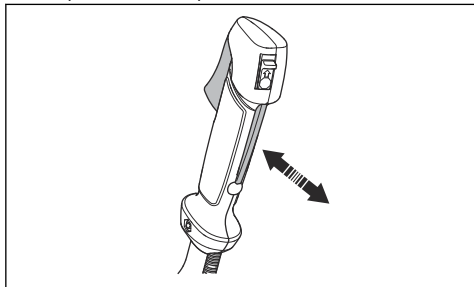
1. Presione el bloqueador del acelerador (A) y asegúrese de que el acelerador se suelta (B). Al soltar la palanca, el acelerador y el bloqueador del acelerador regresan a sus posiciones iniciales. Este movimiento se controla mediante dos muelles de retorno. En esta posición el acelerador es bloqueado automáticamente en ralentí.



2. Asegúrese de que el acelerador está bloqueado en la posición de ralentí cuando el bloqueador se suelta.

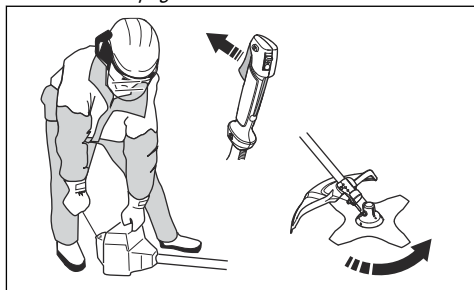


3. Presione el bloqueador del acelerador y asegúrese de que vuelva a su posición inicial al soltarlo.



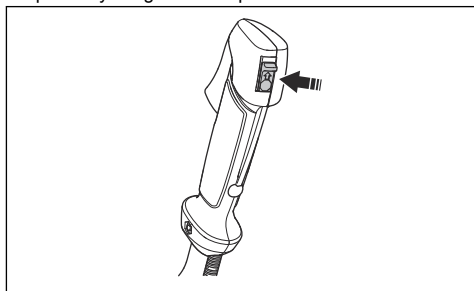
4. Compruebe que el acelerador y el bloqueador se muevan con facilidad y que funcionen sus muelles de retorno.
5. Arranque el producto (consulte las instrucciones en *Para arrancar y parar en la página 226*) y acelere al máximo.

6. Suelte el acelerador y asegúrese de que el equipo de corte se detenga y permanezca inmóvil. Ajuste el carburador si el equipo de corte se mueve con el acelerador en la posición de ralentí. Consulte las instrucciones del capítulo *Para ajustar el régimen de ralentí en la página 233*.



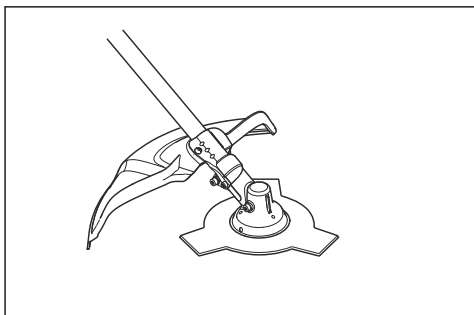
### Comprobación del interruptor de parada

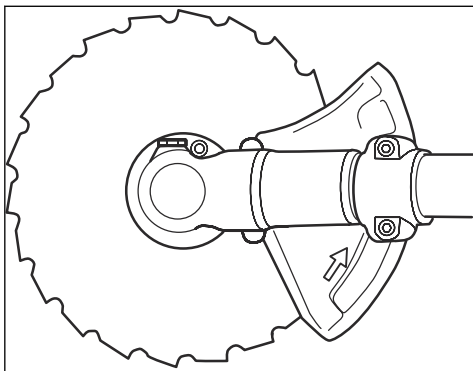
1. Arranque el motor.
2. Mueva el interruptor de parada a la posición de parada y asegúrese de que el motor se detiene.



### Protección del equipo de corte

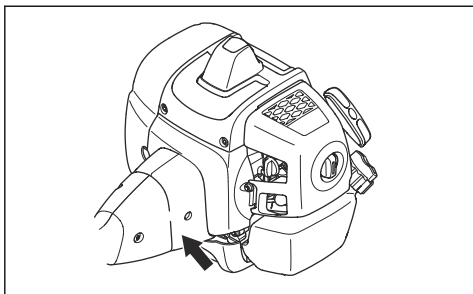
La protección del equipo de corte impide que los objetos sueltos salgan despedidos hacia el operador. Examine la protección del equipo de corte para comprobar que no hay daños y sustitúyala si está dañada. Utilice únicamente la protección autorizada para el equipo de corte.





### Comprobación del sistema amortiguador de vibraciones

El sistema amortiguador de vibraciones disminuye la vibración en el manillar, lo cual facilita el uso del producto.



1. Pare el motor.
2. Realice una comprobación visual para detectar deformaciones y daños como, por ejemplo, grietas.
3. Asegúrese de que los elementos del sistema amortiguador de vibraciones estén bien acoplados.

### Comprobación del mecanismo de liberación rápida

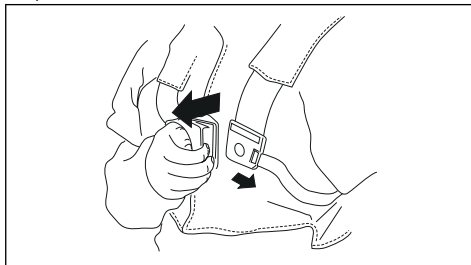


**ADVERTENCIA:** No use un arnés con un mecanismo de liberación rápida defectuoso.

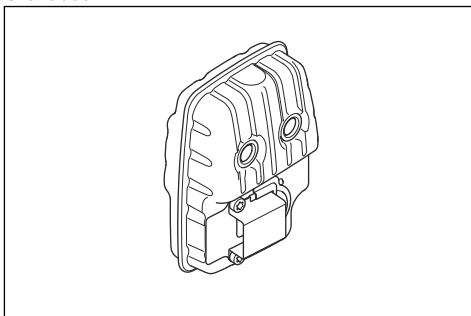
El mecanismo de liberación rápida permite al usuario soltar el producto del arnés rápidamente en caso de emergencia.

1. Pare el motor.
2. Compruebe visualmente si hay daños como, por ejemplo, grietas.

3. Suelte y acople el mecanismo de liberación rápida para verificar si funciona correctamente.



### Silenciador



- No utilice un motor con un silenciador defectuoso. Un silenciador defectuoso aumenta el nivel de ruido y el riesgo de incendio. Tenga siempre a mano un extintor de incendios.
- Examine regularmente que el silenciador esté conectado al producto.
- No toque el motor ni el silenciador cuando el motor está encendido. No toque el motor ni el silenciador durante un tiempo después de parar el motor. Las superficies calientes pueden causar lesiones.
- Un silenciador caliente puede provocar un incendio. Tenga cuidado si utiliza el producto cerca de líquidos o vapores inflamables.
- No toque las piezas del silenciador si este está dañado. Las piezas pueden contener productos químicos cancerígenos.
- Limpie el apagachispas a intervalos regulares si el producto lo incluye. 🛠️

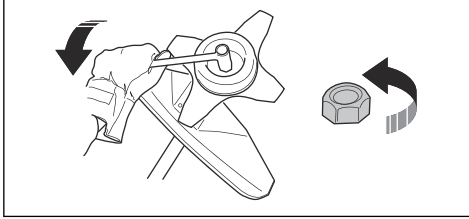
### Montaje y extracción de la contratuerca



**ADVERTENCIA:** Pare el motor, utilice guantes protectores y tenga cuidado con los bordes afilados del equipo de corte.

Se usa una contratuerca para acoplar algunos tipos de equipo de corte. La contratuerca tiene rosca a izquierda.

- Para el montaje, apriete la contratuerca girándola en sentido contrario al sentido de rotación del equipo de corte.
- Para quitar la contratuerca, gírela en la misma dirección en la que gira el equipo de corte.
- Para aflojar y apretar la contratuerca, utilice una llave de cubo con un mango largo. La flecha de la ilustración muestra la zona donde puede utilizar la llave de cubo.



**ADVERTENCIA:** Al aflojar y apretar la contratuerca, hay riesgo de lesiones provocados por la cuchilla. Siempre debe asegurarse de que la protección de la hoja evite lesiones en las manos al hacerlo.

**Nota:** Asegúrese de que no pueda girar la contratuerca con la mano. Cambie la tuerca si el forro de nylon no tiene una resistencia de un mínimo de 1,5 Nm. La contratuerca debe sustituirse después de haberla apretado unas 10 veces.

## Equipo de corte

Utilice y mantenga el equipo de corte para:

- Obtener un resultado de corte óptimo.
- Alargar la vida útil del equipo de corte.
- Sigas las instrucciones de servicio, mantenimiento y comprobación del silenciador.
- Utilice siempre la protección recomendada para el equipo de corte. Consulte el apartado "Datos técnicos".



**ADVERTENCIA:** ¡Utilice solamente el equipo de corte con la protección recomendada por nosotros! Consulte el capítulo Datos técnicos. Lea las instrucciones del equipo de corte para montar correctamente el hilo de corte y elegir el diámetro de hilo correcto.



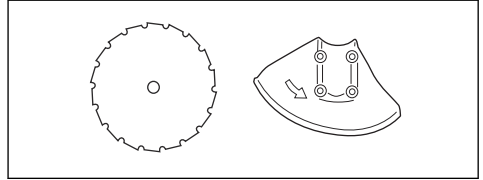
**ADVERTENCIA:** Un equipo de corte defectuoso puede aumentar el riesgo de accidentes.



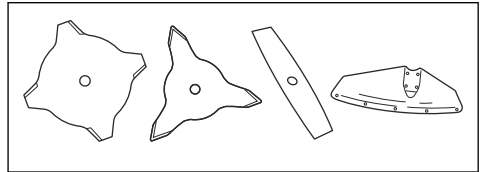
**ADVERTENCIA:** Pare siempre el motor antes de trabajar con alguna parte del equipo de corte. Éste continúa girando incluso después de haber soltado el acelerador. Asegúrese de que el equipo de corte se ha detenido completamente y desconecte el sombrerete de bujía antes de comenzar a trabajar.

## Equipo de corte

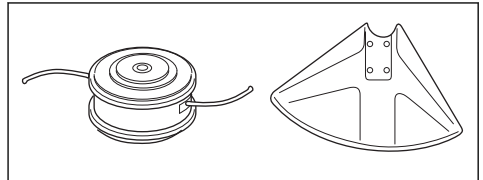
- Utilice la hoja de sierra para cortar vegetación fibrosa.



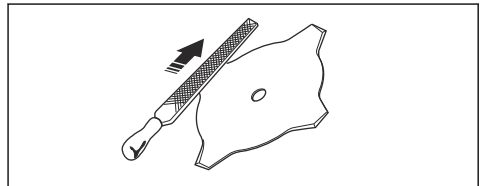
- Utilice las hojas y las cuchillas para hierba para cortar hierba muy gruesa.



- Utilice el cabezal de corte para cortar hierba normal.



- Una hoja mal afilada o dañada aumenta el peligro de accidentes. Mantenga los dientes de corte de la hoja afilados y en buen estado. Sigas las instrucciones de la sección *Para afilar cuchillas de hierba y hojas para hierba en la página 220* y utilice el calibrador de afilado recomendado.

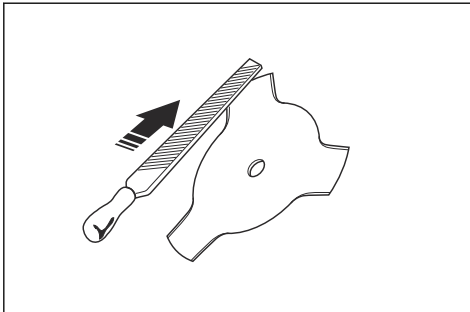


- Examine el equipo de corte para comprobar que no hay daños ni grietas. Sustituya el equipo de corte dañado.

- Utilice únicamente equipos de corte con las protecciones recomendadas. Consulte la sección *Datos técnicos en la página 235*.

### Cuchillas

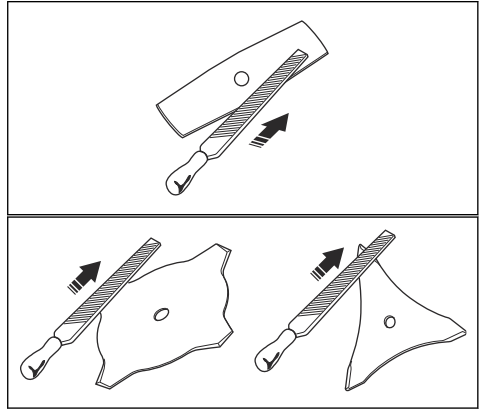
- Utilice el producto con una cuchilla homologada. No utilice una cuchilla sin instalar correctamente todas las piezas necesarias. Asegúrese de que ha realizado la instalación correctamente y de que ha utilizado las piezas adecuadas. Una instalación inadecuada puede hacer que la cuchilla salga despedida y provocar lesiones graves al operario o a los transeúntes.
- Use guantes protectores cuando manipule la cuchilla o realice tareas de mantenimiento.
- Utilice casco cuando opere un producto con una cuchilla.
- Una cuchilla puede causar lesiones mientras sigue girando después de parar el motor o de soltar el gatillo del acelerador. Asegúrese de que la cuchilla ha dejado de girar antes de realizar cualquier tipo de mantenimiento.
- Detenga el motor antes de trabajar en el equipo de corte. Asegúrese de que el equipo de corte se detiene completamente. Desconecte el cable de encendido de la bujía.
- Mantenga los dientes de corte de la hoja afilados y en buen estado.



- No utilice un equipo de corte dañado.
- Coloque la protección para transportes de la cuchilla cuando transporte o guarde el producto.

### Para afilar cuchillas de hierba y hojas para hierba

- Afíle todos los bordes de las cuchillas de hierba y hojas para hierba por igual para mantener el equilibrio. Utilice una lima plana con dentado recto.

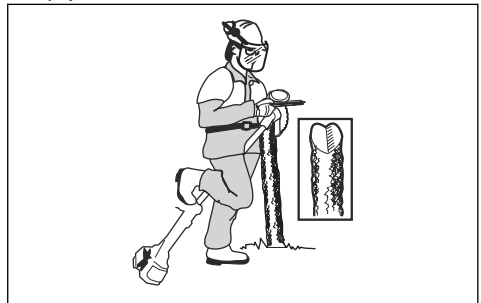


### Afilan la hoja de sierra

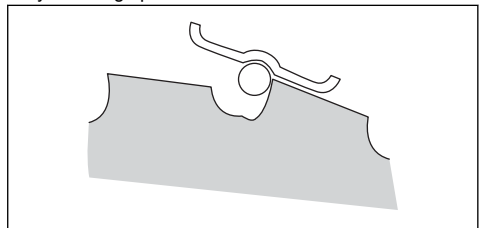


**ADVERTENCIA:** Pare el motor. Utilice guantes protectores.

- Para afilar correctamente la hoja, consulte las instrucciones que se suministran con ella.
- Asegúrese de que el producto y la hoja estén bien apoyados al afilarla.

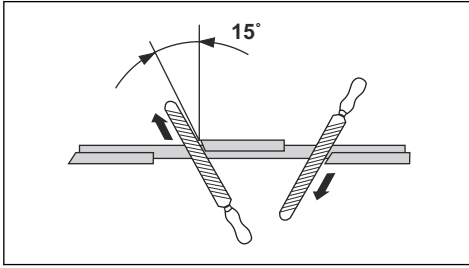


- Utilice una lima redonda de 5,5 mm (7/32 pulgadas) y un mango para lima.



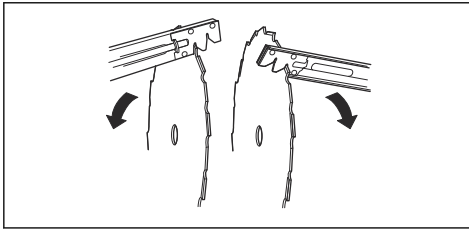
- Sujete la lima en un ángulo de 15°.

- Afile un diente de la hoja de sierra a la derecha y el siguiente diente a la izquierda; observe la ilustración.



**Nota:** Si la hoja está muy desgastada, afile los bordes de los dientes con una lima plana. Siga afilando con una lima redonda.

- Afile todos los bordes por igual para mantener el equilibrio de la hoja.
- Ajuste la hoja a 1 mm (0,04 pulgadas) con la herramienta de ajuste recomendada. Consulte las instrucciones que se suministran con la hoja.

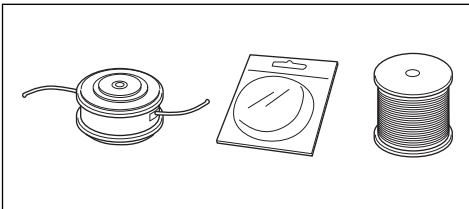


**ADVERTENCIA:** Si una hoja está dañada, deje de usarla. No intente enderezar una hoja doblada o torcida para volver a usarla.

#### Cabezal de corte



**ADVERTENCIA:** Asegúrese siempre de que el hilo de corte esté enrollado de forma firme y uniforme en el rodillo, para evitar vibraciones perjudiciales para la salud.



- Utilice únicamente los cabezales e hilos de corte recomendados.

- Utilice únicamente los equipos de corte recomendados.
- Las máquinas más pequeñas requieren cabezales de corte pequeños y viceversa.
- La longitud del hilo de corte es importante. Un hilo más largo requiere mayor potencia del motor que uno corto, con el mismo diámetro del hilo.
- Controle que el cuchillo que hay en la protección de la recortadora esté intacto. Se encarga de cortar el hilo de corte a la largura correcta.
- Ponga en agua el hilo de corte un par de días antes de usarlo para aumentar su vida útil.

#### Seguridad en el uso del combustible

- No arranque el producto si está manchado con combustible o aceite del motor. Retire el combustible/aceite no deseado y deje secar el producto. Retire el combustible no deseado del producto.
- Si derrama combustible sobre la ropa, cámbiese inmediatamente.
- Evite el contacto con el combustible; puede provocarle lesiones. Si entra en contacto con el combustible, utilice jabón y agua para eliminar el combustible.
- No arranque el motor si derrama aceite o combustible sobre el producto o sobre su cuerpo.
- No arranque el motor si el producto tiene una fuga. Examine frecuentemente si hay fugas en el motor.
- Tenga cuidado con el combustible. El combustible es inflamable, sus vapores son explosivos y puede provocar lesiones o la muerte.
- No inhale los vapores de combustible, ya que pueden causar lesiones. Asegúrese de que hay ventilación suficiente.
- No fume cerca del combustible o el motor.
- No coloque objetos calientes cerca del combustible o el motor.
- No agregue el combustible con el motor encendido.
- Asegúrese de que el motor esté frío antes repostar.
- Antes de repostar, abra la tapa del depósito de combustible lentamente y deje salir el exceso de presión con cuidado.
- No añada combustible al motor en interiores. Una circulación de aire insuficiente puede causar lesiones o la muerte por asfixia o inhalación de monóxido de carbono.
- Apriete la tapa del depósito de combustible con cuidado o puede producirse un incendio.
- Antes de arrancarlo, lleve el producto a 3 m (10 pies) de distancia como mínimo del punto en el que llenó el depósito.
- No ponga demasiado combustible en el depósito de combustible.
- Asegúrese de que no pueda producirse una fuga al mover el producto o recipiente de combustible.
- No coloque el producto o un recipiente de combustible cerca de una llama descubierta, chispa

o llama piloto. Asegúrese de que la zona de almacenamiento no contiene una llama descubierta.

- Utilice únicamente recipientes homologados para transportar o almacenar el combustible.
- Vacíe el depósito de combustible antes de almacenarlo por un tiempo prolongado. Respete la legislación local sobre lugares aptos para desechar combustible.
- Limpie el producto antes de almacenarlo por un tiempo prolongado.
- Desconecte el cable de la bujía antes de almacenar el producto para asegurarse de que el motor no arranque accidentalmente.

## Instrucciones de seguridad para el mantenimiento

- Si no puede ajustar el régimen de ralentí para que el equipo de corte se detenga, hable con su centro de servicio. No utilice el producto hasta que esté correctamente ajustado o reparado.

## Montaje



**ADVERTENCIA:** Lea el capítulo de seguridad antes de montar el producto.

### Introducción



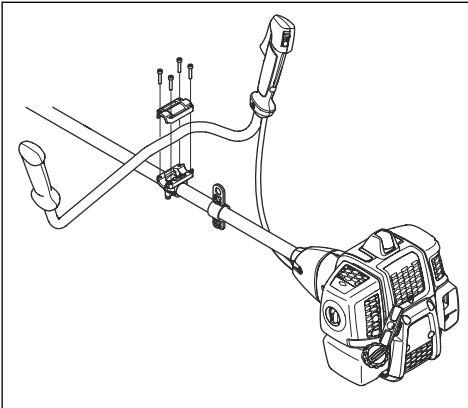
**ADVERTENCIA:** Antes de montar el producto, debe leer y entender el capítulo sobre seguridad.



**ADVERTENCIA:** Retire el cable de la bujía antes de montar el producto.

### Instalación del manillar

1. Fije el manillar en el soporte de montaje como se muestra.



### Para instalar hojas y cabezales de corte



**ADVERTENCIA:** Utilice únicamente la protección autorizada para las hojas. Consulte *Datos técnicos en la página 235*. Una protección defectuosa puede causar lesiones.

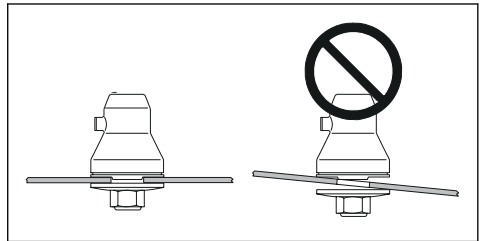


**ADVERTENCIA:** Si el usa el producto con una hoja para hierba, en primer lugar, instale el manillar, la protección de la hoja y el arnés adecuados.



**ADVERTENCIA:** Si no instala las hojas correctamente, se pueden causar lesiones.

1. Asegúrese de que la sección elevada en el disco de arrastre/brida de apoyo se acopla correctamente en el orificio central de las hojas.
2. Instale las hojas.



### Instalación de la protección de la hoja, hoja para hierba y cortadora para hierba

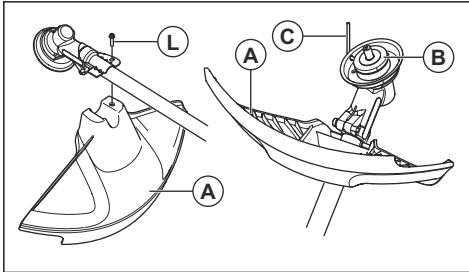


**PRECAUCIÓN:** Utilice únicamente la protección autorizada para las hojas. Consulte el manual de instrucciones.

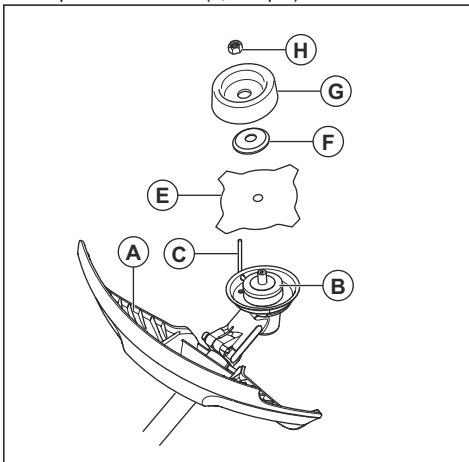


**PRECAUCIÓN:** Compruebe que la extensión de la protección está desmontada.

1. Fije la protección de la hoja/equipo de corte (A) en el tubo y apriete con el perno (L).



2. Instale el disco de arrastre (B) en el eje de salida.
3. Gire el eje de salida hasta que uno de los orificios del disco de arrastre coincida con el orificio correspondiente de la caja de engranajes.
4. Introduzca el pasador de seguridad (C) en el orificio para bloquear el eje.
5. Coloque la hoja (E), la brida de apoyo (F) y la cazoleta de apoyo (G) en el eje de salida.
6. Instale la tuerca (H). Sujete el mango de la llave tan cerca de la protección de la hoja como sea posible. Para apretar la tuerca, debe girar la llave en el sentido contrario al de rotación. Apriete la tuerca a un par de 35-50 Nm (3,5-5 kpm).

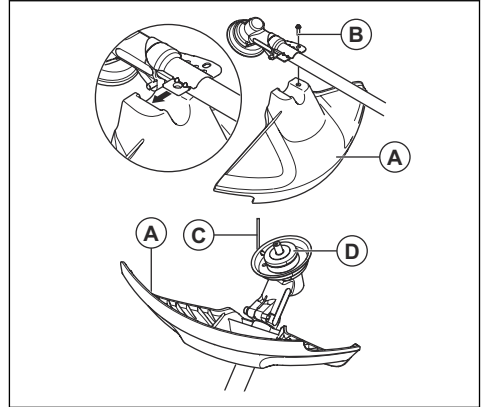


**Nota:** (rosca a izquierdas).

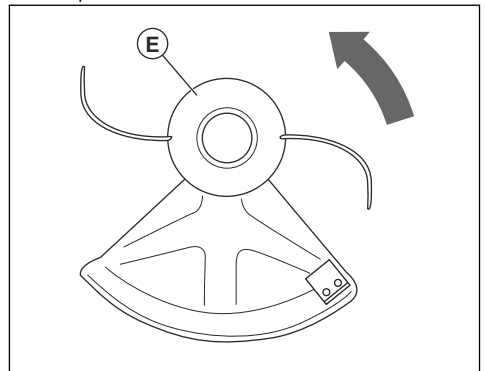
## Montaje de la protección de la recortadora y el cabezal de corte

**Nota:** Asegúrese de que utiliza la protección de la recortadora correcta para el cabezal de corte correcto.

1. Monte la protección de la recortadora/protección combinada (A) correcta para el cabezal de corte.
2. Instale la protección de la recortadora/protección combinada alrededor del tubo y apriétela con el perno (B). Utilice el pasador de bloqueo o la llave hexagonal (C).



3. Coloque el pasador de bloqueo o la llave hexagonal (C) en la ranura de la cabeza del tornillo y apriete.
4. Acople el disco de arrastre (D) en el eje de salida.
5. Gire el eje de salida hasta que uno de los orificios del disco de arrastre coincida con el orificio de la caja de engranajes.
6. Instale el pasador de bloqueo o la llave hexagonal (C) en el orificio para bloquear el eje.
7. Monte el cabezal de corte/las hojas de plástico (E). Gire el cabezal de corte/las hojas de plástico hacia la izquierda.



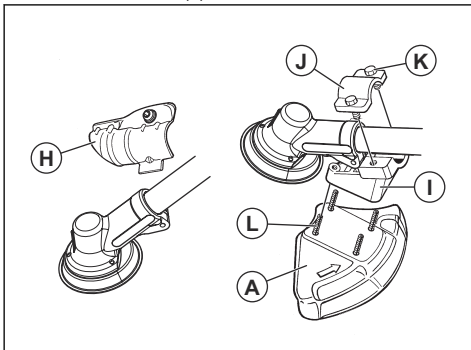
- Para efectuar el desmontaje, efectúe estos pasos en el orden inverso.

## Instalación de la protección de la hoja y la hoja de sierra

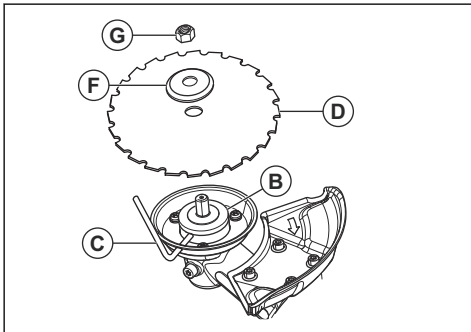


**PRECAUCIÓN:** Utilice únicamente la protección autorizada para las hojas. Consulte *Datos técnicos en la página 235*.

- Retire la placa de sujeción (H).
- Instale el adaptador (I) y el soporte (J) con los dos tornillos (K).
- Monte la protección de la hoja (A) en el adaptador con los 4 tornillos (L).

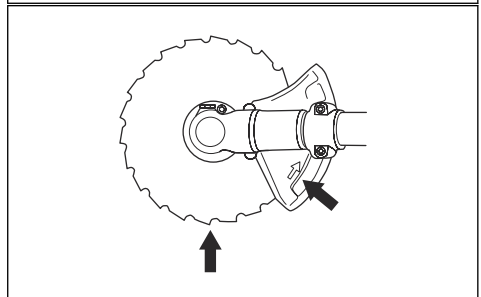
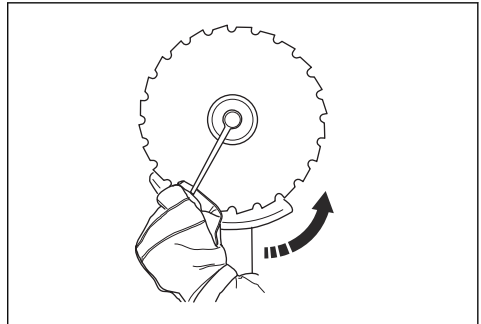


- Instale el disco de arrastre (B) en el eje de salida.
- Gire el eje de la hoja hasta que uno de los orificios de la pieza de arrastre coincida con un orificio de la caja de engranajes.
- Introduzca el pasador de seguridad (C) en el orificio para bloquear el eje.
- Coloque la hoja (D) y la brida de apoyo (F) en el eje de salida.
- Instale la tuerca (G). La tuerca debe apretarse con un par de 35-50 Nm (3,5-5 kpm). Utilice la llave de tubo del juego de herramientas. Sujete el mango de la llave lo más cerca posible de la protección de la hoja. La tuerca se aprieta girando la llave en sentido contrario a la rotación.



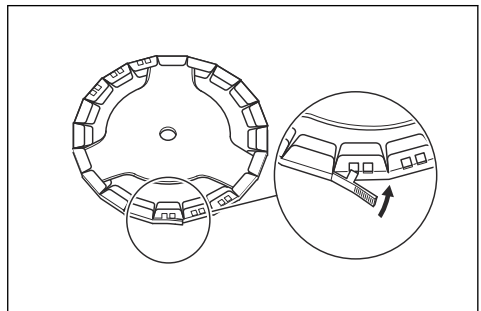
**Nota:** (rosca a izquierdas).

- Al apretar y aflojar la tuerca de la hoja de sierra, se corre el riesgo de lastimarse con los dientes de la hoja de sierra. Por lo tanto, asegúrese siempre de que la mano está resguardada por la protección de la hoja. Utilice siempre una llave de tubo con un mango lo suficientemente largo como para resultar seguro. La flecha en la figura muestra la zona en la que debe utilizar la llave de tubo al aflojar o apretar.



## Montaje de la protección para transportes

- Coloque la protección para transportes en la hoja como se muestra en la ilustración.





## Para ajustar el arnés

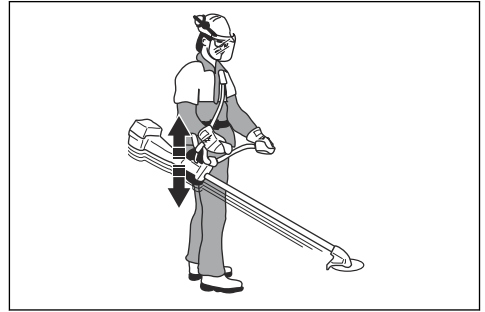


**ADVERTENCIA:** El producto siempre debe engancharse firmemente al arnés. En caso contrario, el producto no se puede controlar de manera segura y puede provocar lesiones al usuario u otras personas. No utilice un arnés defectuoso. No use un arnés con un cierre de liberación rápida defectuoso.

1. Colóquese el arnés.
2. Acople el producto al arnés.
3. Regule el arnés para obtener una postura de trabajo óptima.
4. Ajuste las correas laterales para distribuir uniformemente el peso sobre los hombros.



5. Ajuste el arnés de manera que el equipo de corte quede paralelo al suelo.



6. Deje que el equipo de corte descansa ligeramente en el suelo. Ajuste la abrazadera del arnés para equilibrar el producto correctamente.

**Nota:** Si utiliza una hoja para hierba, debe equilibrarse a alrededor de 10 cm/4 pulg. por encima del suelo.

## Funcionamiento



**ADVERTENCIA:** Asegúrese de leer y comprender el capítulo sobre seguridad antes de utilizar el producto.

### Introducción



**ADVERTENCIA:** Antes de utilizar el producto, debe leer y entender el capítulo sobre seguridad.

### Carburante

Este producto tiene un motor de dos tiempos.



**PRECAUCIÓN:** Un tipo de combustible incorrecto puede producir daños en el motor. Utilice una mezcla de gasolina y aceite para motores de dos tiempos.

### Combustible premezclado

- Utilice gasolina de alquilato premezclada McCulloch para mejorar el rendimiento y prolongar la vida útil del motor. Este combustible contiene menos productos químicos peligrosos que la gasolina

tradicional, lo que reduce los gases de escape tóxicos. Con este combustible, se reduce la cantidad de residuos de la combustión, lo que ayuda a mejorar el nivel de limpieza de los componentes del motor.

### Mezcla de combustible

#### Gasolina

- Utilice gasolina sin plomo de buena calidad con un máximo de un 10 % de etanol.



**PRECAUCIÓN:** No utilice gasolina con un octanaje inferior a 90 octanos RON (87 AKI). El uso de gasolina de un octanaje inferior puede causar golpeteo del motor, lo cual puede provocar daños en el motor.

#### Aceite para motores de dos tiempos

- Para obtener los mejores resultados y un rendimiento óptimo, utilice aceite para motores de dos tiempos McCulloch.
- Si no se dispone de aceite para motores de dos tiempos McCulloch, puede utilizarse un aceite para motores de dos tiempos de buena calidad para

motores refrigerados por aire. Póngase en contacto con su taller de servicio para seleccionar el aceite correcto.



**PRECAUCIÓN:** No utilice nunca aceite para motores de dos tiempos motores fueraborda refrigerados por agua. No utilice aceite para motores de cuatro tiempos.

2. Añada la cantidad total de aceite.
3. Agite la mezcla de combustible.
4. Añada el resto de gasolina al recipiente.
5. Agite bien la mezcla de combustible.



**PRECAUCIÓN:** No mezcle combustible para más de 1 mes como máximo.

### Mezcla de gasolina y aceite para motores de dos tiempos

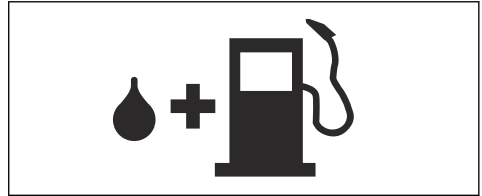
Gasolina, litros	Aceite para motores de dos tiempos, litros
	<b>2 % (50:1)</b>
5	0,10
10	0,20
15	0,30
20	0,40
Galón estadounidense	Onza líquida estadounidense
1	2 ½
2 1/2	6 ½
5	12 ¾

### Llenado del depósito de combustible



**ADVERTENCIA:** Por su seguridad, siga el procedimiento que se indica a continuación.

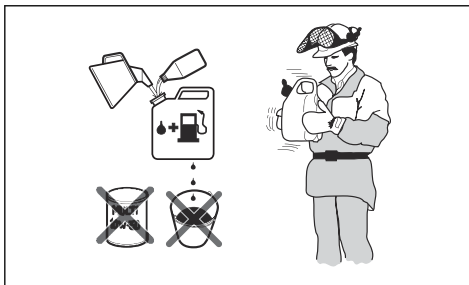
1. Detenga el motor y deje que se enfríe.
2. Limpie minuciosamente alrededor de la tapa del depósito de combustible.



3. Agite el recipiente y asegúrese de que el combustible esté totalmente mezclado.
4. Abra el tapón del depósito de combustible lentamente para liberar la presión.
5. Llene el depósito de combustible.



**PRECAUCIÓN:** Los errores, por pequeños que sean, pueden influir en la proporción de la mezcla considerablemente si mezcla pequeñas cantidades de combustible. Mida cuidadosamente la cantidad de aceite para asegurarse de obtener la mezcla adecuada.



1. Agregue la mitad de la cantidad de gasolina a un recipiente limpio homologado para combustible.



**PRECAUCIÓN:** Asegúrese de que no haya demasiado combustible en el depósito, ya que este se expande cuando se calienta.

6. Apriete con cuidado el tapón del depósito de combustible.
7. Limpie el combustible derramado sobre el producto y alrededor de él.
8. Aparte el producto 3 m (10 pies) o más del lugar y la fuente de repostaje antes de arrancar el motor.

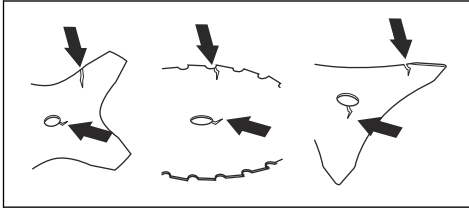
**Nota:** Para conocer la ubicación del depósito de combustible en el producto, consulte *Descripción del producto en la página 212*.

### Para arrancar y parar

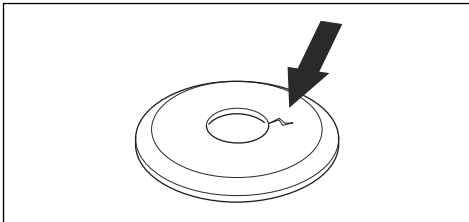
#### Antes de utilizar el producto

- Examine la zona de trabajo para asegurarse de que conoce el tipo de terreno y la pendiente, y para verificar si hay obstáculos como piedras, ramas y zanjas.

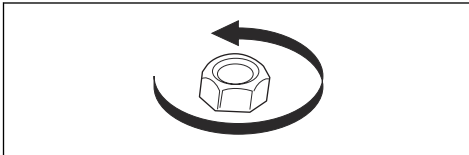
- Realice una inspección general del producto.
- Lleve a cabo las inspecciones de seguridad, y las labores de mantenimiento y servicio que se indican en este manual.
- Asegúrese de que todas las cubiertas, protecciones y empuñaduras, y el equipo de corte estén bien montados y no presenten daños.
- Asegúrese de que no haya grietas en la parte inferior de la hoja de sierra, en los dientes de la hoja para hierba ni en el orificio central de la hoja. Sustituya la hoja si está dañada.



- Examine la brida de apoyo para detectar posibles grietas. Sustituya la brida de apoyo si está dañada.

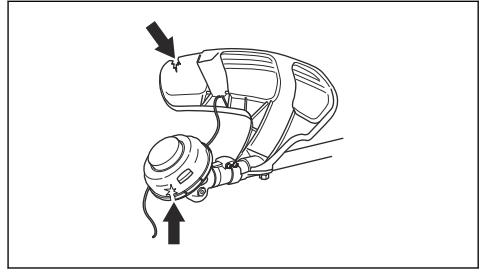


- Asegúrese de que la contratuerca no pueda retirarse a mano. Si puede quitarla a mano, no fijará debidamente el equipo de corte y será necesario cambiarla.



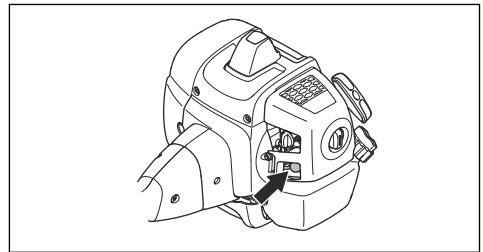
- Inspeccione la protección de la hoja para comprobar si presenta daños o grietas. Sustituya la protección de la hoja si ha recibido golpes o si tiene grietas.
- Examine el cabezal de corte y la protección del equipo de corte para comprobar si presenta daños o grietas. Cambie el cabezal de corte y la protección

del equipo de corte si han recibido golpes o si presentan grietas.

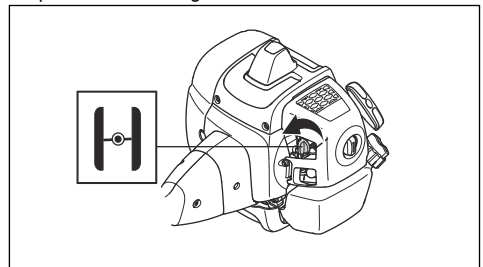


### Arranque del motor

1. Coloque el producto sobre una superficie plana y estable. Evite que el equipo de corte toque el suelo.
2. Presione repetidamente la perilla de cebado de la bomba de combustible hasta que comience a llenarse de combustible. No es necesario llenar completamente la perilla de la bomba de combustible.

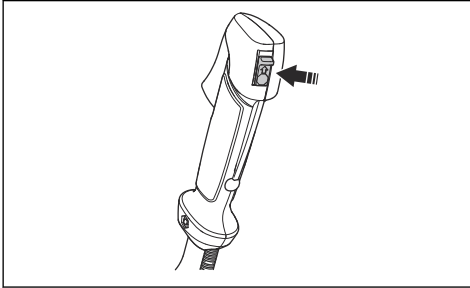


3. Mueva la palanca del estrangulador hasta la posición de estrangulamiento.

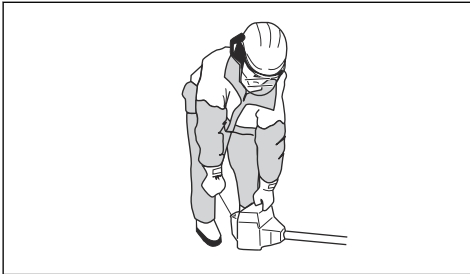


**ADVERTENCIA:** El equipo de corte comienza a girar inmediatamente al arrancar el motor con el estrangulador.

4. Coloque el interruptor de arranque/parada en posición de arranque.



5. Sujete el cuerpo del producto contra el suelo con la mano izquierda.



6. Sostenga la empuñadura de arranque con la mano derecha.  
7. Tire despacio de la cuerda de arranque con la mano derecha hasta sentir resistencia.



**ADVERTENCIA:** No se enrolle la cuerda de arranque alrededor de la mano.

8. Tire de la cuerda rápido y con fuerza. Tire varias veces de la cuerda de arranque hasta que el motor se ponga en marcha.

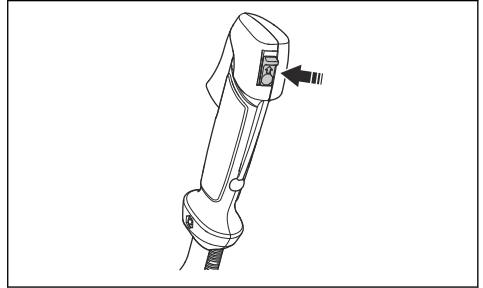


**PRECAUCIÓN:** No extraiga la cuerda de arranque hasta la longitud máxima y no suelte la empuñadura de arranque con la cuerda totalmente extraída. Esto puede provocar daños en el producto.

9. Coloque el estrangulador en su posición inicial cuando el motor arranque.  
10. Accione el acelerador gradualmente cuando arranque el motor.  
11. Asegúrese de que el motor funciona con suavidad y deje que se caliente durante 1-2 minutos antes de comenzar a trabajar con el producto.

## Parada del producto

- Presione el botón de parada para detener el motor.



## Lanzada de hoja

- Una lanzada de hoja es un movimiento repentino del producto hacia un lado, hacia delante o hacia atrás. Una lanzada de hoja se produce cuando la hoja para hierba golpea un objeto que no puede cortar. En áreas en las que no resulta fácil ver el material que se está cortando el riesgo de lanzadas de hoja aumenta.
- Cuando se produce una lanzada de hoja, hay riesgo de que el producto o el operario se desplace de su posición. Una hoja en movimiento pueden golpear a los transeúntes y existe el riesgo de accidentes.
- Si la hoja está doblada, tiene grietas, está rota o dañada, deséchela.
- Utilice una hoja afilada. El riesgo de lanzada de hoja aumenta cuando la hoja no está bien afilada.

## Instrucciones generales durante el trabajo



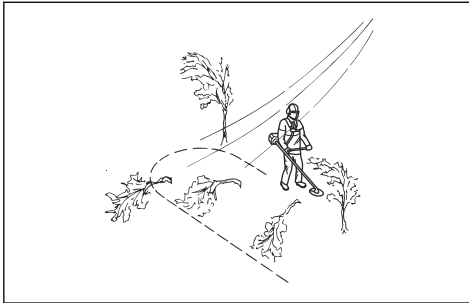
**ADVERTENCIA:** Tenga cuidado al cortar un árbol en tensión. Puede regresar de forma brusca a su posición normal antes o después de cortarlo y golpearle a usted o al producto, con el consiguiente riesgo de lesiones que esto supone.

- Despeje un espacio abierto en uno de los extremos del lugar de trabajo y empiece a trabajar desde ahí.

- Trace un patrón regular al desplazarse por el lugar de trabajo.



- Mueva el producto totalmente a la derecha y a la izquierda para despejar una superficie de 4-5 m de anchura en cada pasada.
- Despeje una longitud de 75 m antes de girar y regresar. Mueva la lata de combustible a medida que avance con el trabajo.
- Desplácese en una dirección que evite en la medida de lo posible zanjas y obstáculos.
- Desplácese en una dirección en la que el viento facilite que la vegetación cortada caiga sobre el área despejada.



- Desplácese a lo largo de la pendiente, no hacia arriba y hacia abajo.

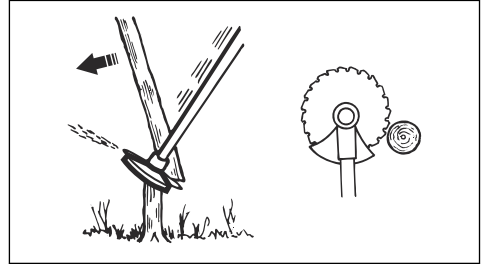
## Desbroce forestal con hoja de sierra

### Derribar un árbol hacia la izquierda

Para derribar hacia la izquierda, presione la base del árbol hacia la derecha.

1. Acelere al máximo.
2. Coloque la hoja de sierra contra el árbol como se indica en la imagen.

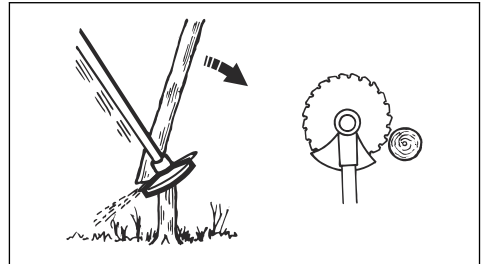
3. Incline la hoja de sierra y presione con ella con fuerza y en diagonal hacia abajo a la derecha. Al mismo tiempo, presione el árbol con la protección de la hoja.



### Derribar un árbol hacia la derecha

Para derribar hacia la derecha, presione la base del árbol hacia la izquierda.

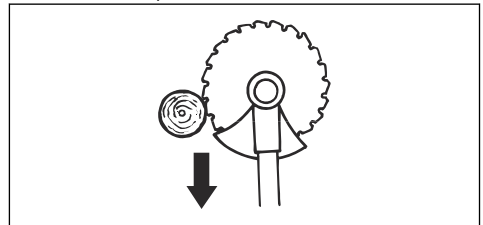
1. Acelere al máximo.
2. Coloque la hoja de sierra contra el árbol como se indica en la imagen.
3. Incline la hoja de sierra y presione con ella con fuerza y en diagonal hacia arriba a la derecha. Al mismo tiempo, presione el árbol con la protección de la hoja.



### Derribar un árbol hacia delante

Para derribar hacia delante, presione la base del árbol hacia atrás.

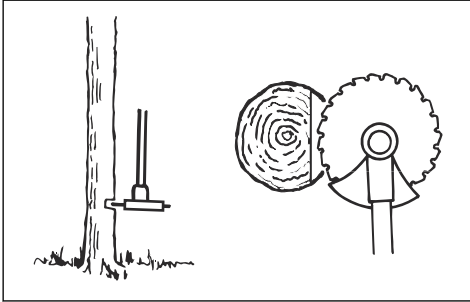
1. Acelere al máximo.
2. Coloque la hoja de sierra contra el árbol como se indica en la imagen.
3. Mueva la hoja de sierra hacia delante con un movimiento rápido.



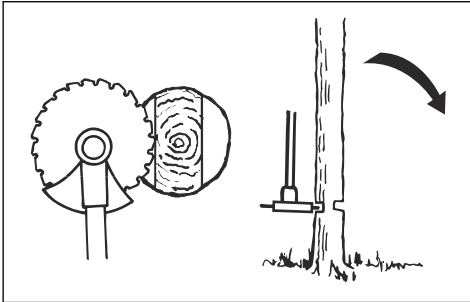
## Derribar árboles de gran tamaño

Los árboles de mayor tamaño deben talarse desde 2 lados.

1. Evalúe primero la dirección de derribo del árbol.
2. Acelere al máximo.
3. Haga el primer corte en el lado por el que caerá el árbol.



4. Corte el árbol desde el lado opuesto.



**PRECAUCIÓN:** Si la hoja de sierra se atasca, no tire del producto con un movimiento brusco. Podría dañar la hoja de sierra, el engranaje angulado, el eje o el manillar. Suelte las empuñaduras, sujete el eje con las 2 manos y tire con cuidado del producto.

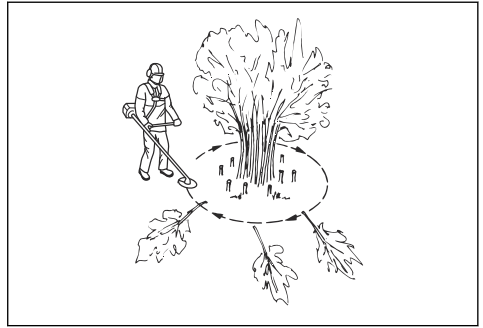
**Nota:** Para derribar árboles pequeños, ejerza una presión de corte mayor. Para derribar árboles grandes, ejerza una presión de corte menor.

## Desbroce de arbustos con hoja de sierra

Para derribar hacia la izquierda, presione la base del árbol hacia la derecha.

- Corte arbustos y árboles con troncos delgados.
- Mueva el producto de lado a lado.
- Corte varios árboles en un movimiento.

- Para grupos de árboles con troncos delgados:



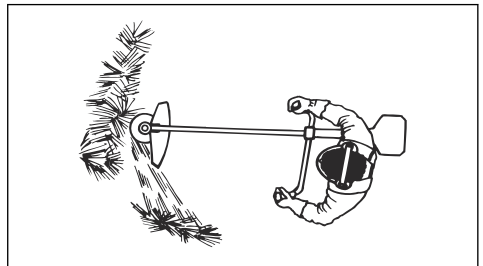
- a) Corte los árboles externos por arriba.
- b) Corte los árboles externos a la altura deseada.
- c) Corte desde el centro. Si no puede acceder al centro, corte los árboles externos por arriba y derribelos. Esto reduce el riesgo de que la hoja de sierra se atasque.

## Desbroce de hierba con hoja para hierba



**PRECAUCIÓN:** No utilice hojas para hierba ni cuchillas para hierba con tallos leñosos. Utilice hojas para hierba y cuchillas para hierba solo para hierba abundante o larga.

- Mueva el producto de lado a lado.
- Al cortar, el movimiento debe efectuarse de derecha a izquierda. Antes de cortar de nuevo, mueva el producto hacia la derecha.
- Efectúe el corte con el lado izquierdo de la hoja para hierba.



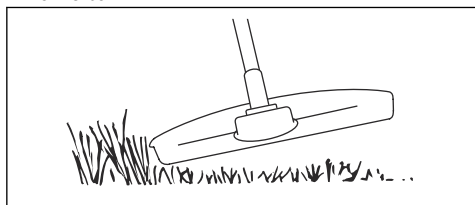
- Incline la hoja para hierba hacia la izquierda para que la hierba caiga en una hilera. Así será más fácil recoger la hierba.
- Mantenga una posición estable con los pies separados.
- Avance cada vez que mueva el producto hacia la derecha y asegúrese de encontrarse en una posición estable antes de proceder de nuevo con el corte.

- Ejercer una ligera presión sobre el suelo con la cazoleta de apoyo para que la hoja para hierba no golpee el suelo.
- Obedezca estas instrucciones para reducir el riesgo de que el material cortado se enrede alrededor de la hoja para hierba:
  - a) Acelere al máximo.
  - b) No haga pasar la hoja para hierba por el material cortado cuando mueva el producto de izquierda a derecha.
- Antes de recoger el material cortado, pare el motor y desmonte el producto del arnés. Coloque el producto en el suelo.

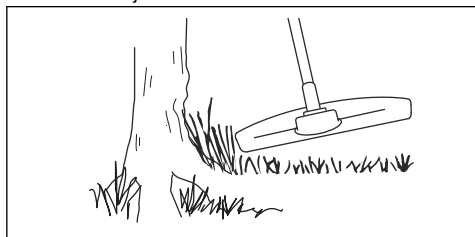
## Recorte de hierba con el cabezal de corte

### Para recortar la hierba

1. Mantenga el cabezal de corte inclinado justo por encima del suelo. No empuje el hilo de corte contra la hierba.



2. Reduzca la longitud del hilo de corte en 10-12 cm / 4-4,75 pulg.
3. Reduzca el régimen del motor para disminuir el riesgo de daños a las plantas.
4. Utilice un 80 % de aceleración para cortar hierba cerca de objetos.



### Desbrozar hierba

1. Mantenga el cabezal de corte por encima del suelo.
2. Inclíne el cabezal de corte.
3. Corte con el extremo del hilo de corte alrededor de los objetos que se encuentren en la zona de trabajo.

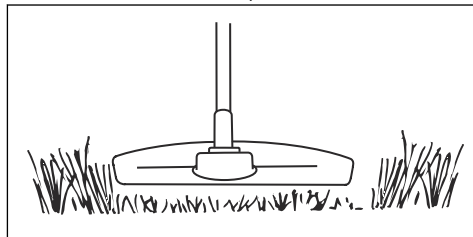


**PRECAUCIÓN:** Corte la hierba. El hilo de corte se desgastará más si entra en contacto con otros objetos.

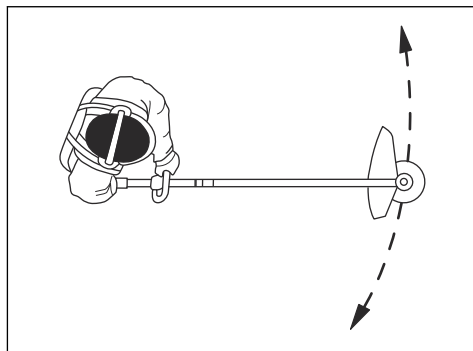
4. Utilice la máquina a un 80 % de su velocidad cuando corte y desbroce vegetación. De esta forma, el cabezal de corte y el hilo de corte se desgastarán menos.

### Para cortar la hierba

1. Asegúrese de que el hilo de corte esté paralelo al suelo cuando corte el césped.



2. No empuje el cabezal de corte contra el suelo. Esto puede provocar daños en el producto.
3. Mueva el producto de un lado a otro cuando corte hierba. Acelere al máximo.



### Barrer la hierba

El flujo de aire que genera el hilo de corte al girar puede usarse para retirar la hierba cortada de una zona.

1. Mantenga el cabezal de corte y el hilo de corte paralelos al suelo sin llegar a tocarlo.
2. Acelere al máximo.
3. Mueva el cabezal de corte de lado a lado para barrer la hierba.



**ADVERTENCIA:** Limpie la cubierta del cabezal de corte cada vez que coloque hilo de corte nuevo para evitar que las empuñaduras pierdan equilibrio y generen vibraciones. Revise también el resto de componentes del cabezal de corte y límpielos si es necesario.

# Mantenimiento

## Introducción

antes de realizar tareas de mantenimiento en el producto.



**ADVERTENCIA:** Asegúrese de leer y comprender el capítulo sobre seguridad

## Programa de mantenimiento

Mantenimiento	Diario	Semanal	Mensual
Limpie la superficie externa.	X		
Examine el arnés para comprobar si presenta daños.	X		
Realice una comprobación del bloqueo del acelerador y del acelerador. Consulte la sección <i>Comprobación del bloqueo del acelerador en la página 216.</i>	X		
Examine la empuñadura y el manillar para comprobar si presentan daños y asegúrese de que estén bien montados.	X		
Compruebe el interruptor de parada. Consulte la sección <i>Comprobación del interruptor de parada en la página 217.</i>	X		
Asegúrese de que el equipo de corte no gire a ralentí.	X		
Limpie el filtro de aire. Sustitúyalo si estuviera dañado.	X		
Examine la protección del equipo de corte para comprobar que no hay daños ni grietas.	X		
Asegúrese de que la hoja de sierra o la hoja para hierba están correctamente fijadas. Asegúrese de que la hoja de sierra o la hoja para hierba están afiladas y no presentan daños.	X		
Inspeccione el cabezal de corte para comprobar si presenta daños y grietas. Sustitúyalo si estuviera dañado.	X		
Apriete la contratuerca por completo en equipos de corte con contratuerca.	X		
Examine la protección para transporte para comprobar si presenta daños y asegúrese de que puede montarse correctamente.	X		
Apriete las tuercas y los tornillos.	X		
Examine el motor, el depósito de combustible y los conductos de combustible para detectar posibles fugas.	X		
Examine el mecanismo de arranque y la cuerda de arranque en busca de daños.		X	
Examine la bujía. Consulte la sección <i>Para examinar la bujía en la página 234.</i> Sustituya la bujía si fuese necesario. Asegúrese de que la bujía está equipada con supresor.		X	
Limpie el exterior del carburador y la zona alrededor del mismo.		X	
Asegúrese de que el engranaje angulado esté bien cubierto de grasa. Consulte la sección <i>Engranaje angulado en la página 234.</i>		X	
Examine el filtro de combustible para comprobar si está sucio y la manguera de combustible para comprobar si presenta grietas u otros defectos. Proceda con la sustitución si es necesario.			X

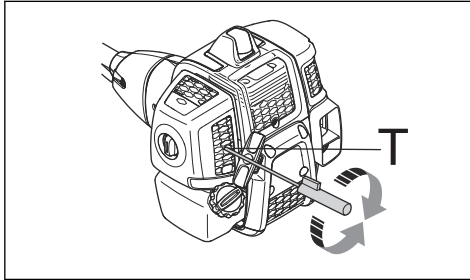


Mantenimiento	Diario	Semanal	Mensual
Examine todos los cables y conexiones.			X
Cambie la bujía. Asegúrese de que la bujía está equipada con supresor.			X

## Para ajustar el régimen de ralentí

La aguja de alta velocidad y la aguja de baja velocidad tienen una configuración fija y no se pueden ajustar. El régimen de ralentí es la única función que se puede ajustar.

1. Arranque el motor y asegúrese de que está caliente antes de empezar a ajustar el régimen de ralentí.
2. Gire el tornillo de ralentí hacia la derecha hasta que comience a girar el equipo de corte.



3. Gire el tornillo de ralentí hacia la izquierda hasta que el equipo de corte se detenga.
4. El régimen de ralentí debe ser inferior a la velocidad a la que el equipo de corte comienza a girar. El régimen de ralentí es correcto cuando el motor funciona con suavidad en todas las posiciones.

## Mantenimiento del silenciador

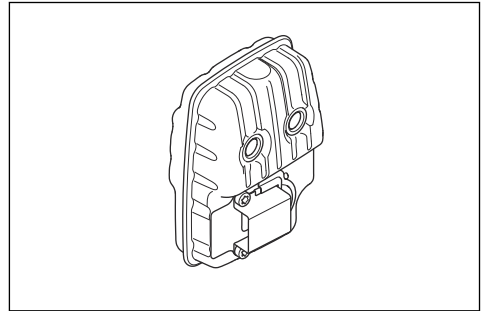
El silenciador reduce el nivel de ruido y aleja los gases de escape del usuario.



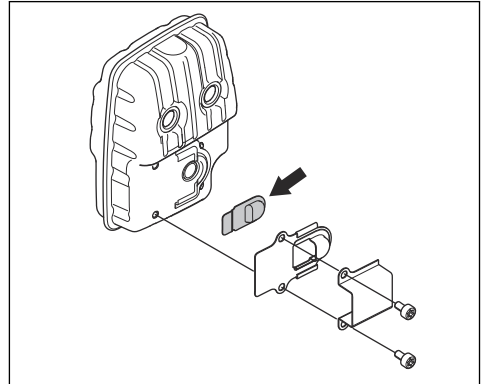
**ADVERTENCIA:** Los silenciadores con catalizadores alcanzan mucha temperatura durante el funcionamiento y conservarán en calor durante cierto tiempo tras detener el producto. Lo mismo rige para la marcha a ralentí. Si toca el producto puede sufrir quemaduras en la piel. Tenga en cuenta el riesgo de incendio.

1. Detenga el producto y deje que se enfríe.

2. Retire el silenciador.



3. Quite los tornillos que sujetan el apagachispas.



4. Limpie el apagachispas si está bloqueado o sustitúyalo si está dañado.



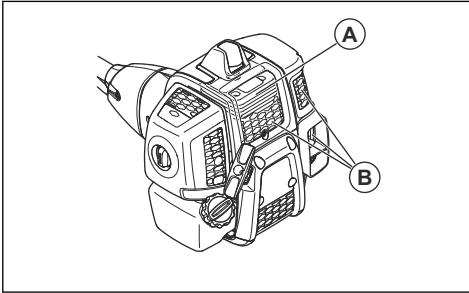
**PRECAUCIÓN:** Si el apagachispas sufre desperfectos, cámbielo. No utilice un producto sin el apagachispas del silenciador o con uno que esté defectuoso.



**PRECAUCIÓN:** Si el apagachispas se obstruye con frecuencia, esto puede ser señal de que se ha reducido el rendimiento del catalizador. Acuda a su distribuidor para que examine el silenciador. Un apagachispas bloqueado provocará sobrecalentamiento y daños en el cilindro y el pistón.

## Limpieza/mantenimiento del sistema refrigerante

Este producto cuenta con un sistema refrigerante. Un sistema de refrigeración sucio u obturado puede producir el sobrecalentamiento del producto, con las consiguientes averías del cilindro y el pistón. Revise y limpie el sistema refrigerante con un cepillo una vez a la semana o con más frecuencia si el producto se usa en condiciones difíciles. El sistema de refrigeración consta de aletas de refrigeración en el cilindro (A) y la toma de aire (B).



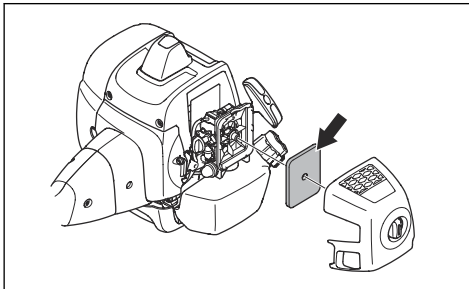
## Filtro de aire

Un filtro de aire sucio puede provocar averías en el carburador, problemas de arranque, pérdida de potencia del motor y desgaste en los componentes del motor. También hace que el motor consuma más combustible de lo necesario. Limpie el filtro cada 8 horas de funcionamiento o más a menudo si el producto se utiliza en un entorno polvoriento.

**Nota:** Puede que sea necesario ajustar el motor si el filtro de aire se limpia o se cambia. Consulte *Para ajustar el régimen de ralentí en la página 233*.

## Limpieza e inspección del filtro de aire

1. Retire el filtro de aire.



2. Limpie el filtro de aire de fieltro con aire comprimido.



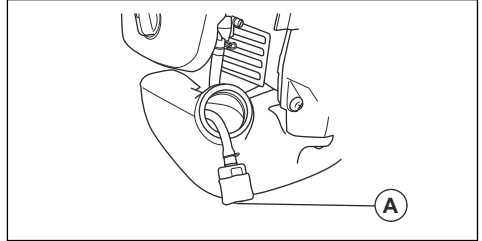
**PRECAUCIÓN:** Sustituya el filtro de aire de fieltro si no queda totalmente

limpio. Sustituya siempre el filtro de aire de fieltro si está dañado.

3. Limpie la superficie interior de la cubierta del filtro de aire. Utilice aire comprimido o un cepillo.

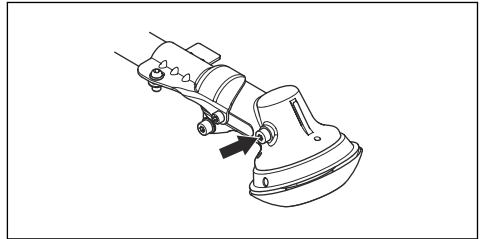
## Filtro de combustible

Cuando el motor se quede sin combustible, asegúrese de que orificio de aire del tapón del depósito de combustible y el filtro de combustible (A) estén limpios.



## Engranaje angulado

El engranaje angulado se monta de fábrica con la cantidad adecuada de grasa. No obstante, antes de utilizar el producto, asegúrese de que el nivel de grasa del engranaje angulado alcance 3/4 del nivel máximo. Use grasa especial McCulloch.



No es necesario sustituir la grasa del engranaje angulado a menos que se repare el engranaje angulado.

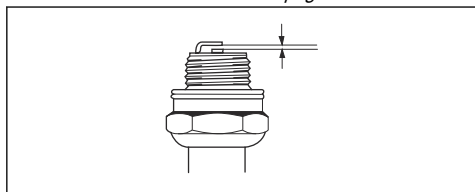
## Para examinar la bujía



**PRECAUCIÓN:** Utilice siempre el tipo de bujía recomendado. El uso de un tipo de bujía incorrecto puede causar averías en el producto.

- Examine la bujía si el motor tiene baja potencia, no es fácil de arrancar o no funciona correctamente al régimen de ralentí.
- Para reducir el riesgo de material no deseado en los electrodos de la bujía, siga estas instrucciones:
  - a) Asegúrese de que el régimen de ralentí está bien ajustado.
  - b) Asegúrese de que la mezcla de combustible sea correcta.
  - c) Asegúrese de que el filtro de aire esté limpio.

- Si la bujía está sucia, límpiela y asegúrese de que la distancia entre los electrodos sea la correcta, consulte *Datos técnicos en la página 235*.
- Sustituya la bujía si fuese necesario.



## Datos técnicos

	B40 B Elite	B40 BT Elite
<b>Motor</b>		
Cilindrada, cm <sup>3</sup>	40,1	40,1
Diámetro del cilindro, Ø mm	40,5	40,5
Carrera del cilindro, mm	31,1	31,1
Régimen de ralentí, rpm	3000	3000
Régimen máximo recomendado, rpm	12 000	12 000
Velocidad en el eje de salida, rpm	8220	8220
Potencia máxima del motor según ISO 8893, kW/rpm	1,5 a 9000	1,5 a 9000
<b>Sistema de encendido</b>		
Bujía	NGK CMR7H-10	NGK CMR7H-10
Distancia entre electrodos, mm	0,9-1,0	0,9-1,0
<b>Sistema de combustible y lubricación</b>		
Fabricante/tipo de carburador	Ruixing H225D-	Ruixing H225D-
Capacidad del depósito de combustible, l/cm <sup>3</sup>	1/1000	1/1000
<b>Peso</b>		
Sin combustible, equipo de corte y protección, kg	7,3	7,4
<b>Emisiones de ruido<sup>25</sup></b>		
Nivel de potencia de sonido medido 108 dB(A)	112	112
Nivel de potencia acústica garantizado L <sub>WA</sub> dB(A)	118	118

<sup>25</sup> Emisiones sonoras en el entorno medidas como potencia acústica (L<sub>WA</sub>) según la directiva 2000/14/CE. El nivel referido de potencia sonora de la máquina se ha medido con el equipo de corte original que produce el nivel más elevado. La diferencia entre la potencia sonora garantizada y medida es que la potencia sonora garantizada también incluye la dispersión en el resultado de la medición y las variaciones entre diferentes máquinas del mismo modelo, según la directiva 2000/14/CE.

	B40 B Elite	B40 BT Elite
<b>Niveles acústicos<sup>26</sup></b>		
Nivel de presión sonora equivalente en el oído del usuario, medido según la norma EN ISO 11806 e ISO 22868, dB(A), mín./máx.		
Equipada con cabezal de corte (original)	100	100
Equipada con hoja para hierba (original).	99	99
Equipada con hoja de sierra (original).	–	99
<b>Niveles de vibraciones<sup>27</sup></b>		
Niveles de vibración equivalentes ( $a_{hv,eq}$ ) en el manillar, medidos según la norma EN ISO 11806 e ISO 22867, m/s <sup>2</sup>		
Equipada con cabezal de corte (original), izquierda/derecha	3,4/4,4	3,4/4,4
Equipada con hoja para hierba (original), izquierda/derecha	5,2/5,1	5,2/5,1
Equipada con hoja de sierra (original), izquierda/derecha	–	4,5/4,2

<b>B40 B Elite, B40 BT Elite</b>		
<b>Accesorios homologados</b>	<b>Tipo</b>	<b>Protección del equipo de corte, n.º de referencia</b>
Orificio central en hojas/cuchillas Ø 25,4 mm		
Rosca del eje de salida M12		
Hoja para hierba/cuchilla para hierba	Hoja para hierba 255-4, 1" (Ø 255, 4 dientes)	580 30 50-01
	Hoja para hierba 255-3 (Ø 255, 3 dientes)	580 30 50-01
Hoja de sierra	Hoja de sierra 200-22 (ø 200 - 22 dientes)	581 33 84-01
Cabezal de corte	P35	580 30 50-01
Cazoleta de apoyo	Fija	–

<sup>26</sup> Los datos referidos del nivel de presión sonora equivalente tienen una dispersión estadística habitual (desviación típica) de 1 dB (A).

<sup>27</sup> Los datos referidos del nivel de vibración poseen una dispersión estadística habitual (desviación típica) de 1 m/s<sup>2</sup>.

---

# Declaración de conformidad CE

---

## Declaración de conformidad CE

**Husqvarna AB**, SE-561 82 Huskvarna, Suecia, tel. +46-36-146500, declara que la recortadora **McCulloch B40 B Elite** a partir del número de serie del año 2021 (el año se indica claramente en la placa de características, seguido del número de serie) cumple con las disposiciones de la DIRECTIVA DEL CONSEJO:

- Del 17 de mayo de 2006 "relativa a máquinas", **2006/42/CE**.
- del 26 de febrero de 2014 "relativa a compatibilidad electromagnética", **2014/30/UE**.
- Del 8 de mayo de 2000 "relativa a emisiones sonoras en el entorno", **2000/14/CE**. Declaración de conformidad efectuada conforme al anexo V. Para obtener información respecto a las emisiones sonoras, consulte el capítulo sobre datos técnicos.
- De 8 de junio de 2011 "sobre restricciones de utilización de determinadas sustancias peligrosas en aparatos eléctricos y electrónicos" **2011/65/UE**.

Se han aplicado las normas siguientes:

**EN ISO 12100:2010, CISPR 12:2007+A1:2009, EN ISO 14982:2009, EN ISO 11806-1:2011, EN IEC 63000:2018**

RISE SMP Svensk Maskinprovning AB, Box 7035, SE-750 07 Uppsala, Sweden ha llevado a cabo un examen voluntario en nombre de Husqvarna AB. Los certificados tienen el número: **SEC/12/2339** - B40 B Elite, B40 BT Elite

RISE SMP Svensk Maskinprovning AB ha comprobado también la conformidad con el apéndice V de la Directiva del Consejo 2000/14/CE.

Huskvarna, 2020-08-25



Pär Martinsson, director de desarrollo (representante autorizado de Husqvarna AB y responsable de la documentación técnica)

---

## Inhalt

---

Einleitung.....	238	Wartung.....	260
Sicherheit.....	241	Technische Daten.....	263
Montage.....	249	EU-Konformitätserklärung.....	265
Betrieb.....	253	.....	0

---

## Einleitung

---

### Produktbeschreibung

Bei diesem Gerät handelt es sich um eine Motorsense mit einem Verbrennungsmotor.

Wir arbeiten laufend daran, Ihre Sicherheit und die Effektivität während des Betriebs zu verbessern. Ihr Servicehändler steht Ihnen gern für weitere Informationen zur Verfügung.

### Verwendungszweck

Verwenden Sie das Gerät mit einer Sägeklinge, einer Grasklinge oder einem Trimmerkopf, um unterschiedliche Arten von Vegetationen zu schneiden. Verwenden Sie das Gerät nicht für andere Zwecke als

zum Rasentrimmen und -freischneiden sowie Freischneiden in der Forstwirtschaft. Verwenden Sie eine Sägeklinge, um faserige Holzarten zu schneiden. Verwenden Sie zum Schneiden von Gras eine Grasklinge oder einen Trimmerkopf.

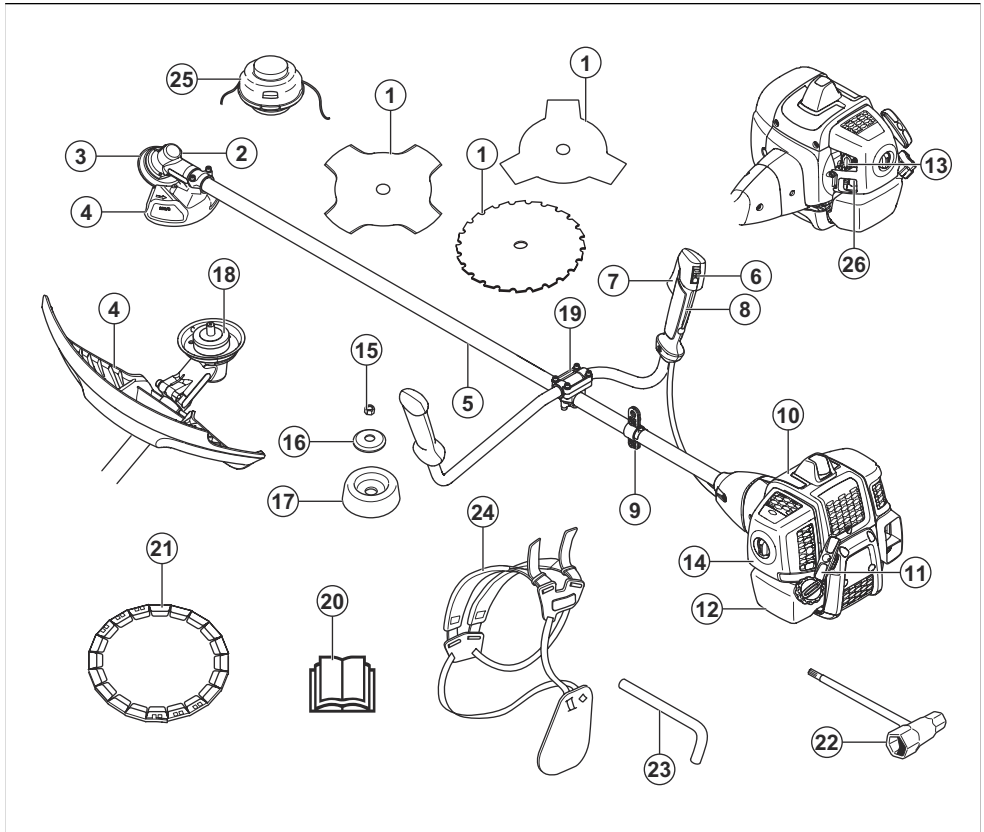
---

**Hinweis:** Nationale oder regionale Bestimmungen regeln ggf. die Verwendung. Die festgelegten Bestimmungen erfüllen.

---

Verwenden Sie das Gerät nur mit Zubehörteilen, die vom Hersteller genehmigt sind. Siehe *Technische Daten auf Seite 263*.

## Geräteübersicht



1. Klingenscheibe (nicht für alle Märkte)
2. Einfüllöffnung für Schmierfett, Winkelgetriebe
3. Winkelgetriebe
4. Schutz für die Schneidausrüstung
5. Führungsrohr
6. Stoppschalter
7. Gashebel
8. Gashebelsperre
9. Aufhängöse
10. Zylinderdeckel
11. Starthandgriff
12. Kraftstofftank
13. Choke-Hebel
14. Luftfilterdeckel
15. Sicherungsmutter
16. Stützflansch
17. Stützkappe
18. Mitnehmerrad

19. Lenkerklemme
20. Bedienungsanleitung
21. Transportschutz (nicht für alle Märkte)
22. Steckschlüssel
23. Sperrstift (für Geräte ohne Inbusschlüssel)
24. Tragegurt
25. Trimmerkopf
26. Kraftstoffpumpenblase

### Symbole auf dem Gerät



**WARNUNG!** Dieses Gerät ist gefährlich. Wenn das Gerät nicht sorgfältig und korrekt verwendet wird, kann es zu Verletzungen oder zum Tod des Bedieners oder anderer Personen kommen. Zur Vermeidung von Verletzungen des Bedieners oder umstehender Personen lesen und

befolgen Sie alle Sicherheitshinweise in der Bedienungsanleitung.



Lesen Sie die Bedienungsanleitung sorgfältig durch, und machen Sie sich vor der Verwendung des Geräts mit ihrem Inhalt vertraut.



Tragen Sie dort, wo Gegenstände auf Sie fallen können, einen Schutzhelm. Tragen Sie einen zugelassenen Gehörschutz. Tragen Sie einen zugelassenen Augenschutz.



Tragen Sie zugelassene Schutzhandschuhe.



Tragen Sie robuste und rutschfeste Stiefel.



Das Gerät kann Objekte umherschleudern und Verletzungen verursachen.



Maximale Drehzahl der Abtriebswelle.



Halten Sie während des Betriebs des Geräts einen Mindestabstand von 15 m/ 50 ft zu Personen oder Tieren ein.



Falls die Schneidausrüstung auf einen Gegenstand trifft, besteht die Gefahr eines Klingenstoßes. Das Gerät kann Körperteile abtrennen. Halten Sie während des Betriebs des Geräts einen Mindestabstand von 15 m/50 ft zu Personen oder Tieren ein.



Verwenden Sie ausschließlich einen flexiblen Schneidfaden. Verwenden Sie keine Schneidelemente aus Metall. Wenden Sie dies für das Grasschutzzubehör an.



Die Pfeile zeigen die Begrenzungen für die Position des Griffs.



Kraftstoffpumpenblase.



Füllen Sie Kraftstoff ein.



Choke.



Umweltbelastende Geräuschemissionen gemäß der entsprechenden europäischen Richtlinie 2000/14/EG und der australischen „Protection of the Environment Operations (Noise Control) Regulation 2017“ („Umweltschutz-/ Lärmschutzbestimmung“) von New South Wales. Informationen zur Geräuschemission sind auf dem Geräteschild und im Abschnitt *Technische Daten auf Seite 263* angegeben.



Dieses Gerät entspricht den geltenden EG-Richtlinien.

yyyywwxxxx

Auf dem Typenschild oder der Lasergravur ist die Seriennummer angegeben. **yyyy** ist das Produktionsjahr, **ww** steht für die Produktionswoche.

---

**Hinweis:** Weitere Symbole/Aufkleber auf dem Gerät beziehen sich auf die Zertifizierungsanforderungen für andere kommerzielle Bereiche.

---

## Produkthaftung

Im Sinne der Produkthaftungsgesetze übernehmen wir keine Haftung für Schäden, die unser Gerät verursacht, wenn...

- das Gerät nicht ordnungsgemäß repariert wird.
- das Gerät mit Teilen repariert wird, die nicht vom Hersteller stammen oder nicht vom Hersteller zugelassen sind.
- ein Zubehörteil mit dem Gerät verwendet wird, das nicht vom Hersteller stammt oder nicht vom Hersteller zugelassen ist.
- das Gerät nicht bei einem zugelassenen Service Center oder von einem zugelassenen Fachmann repariert wird.

## Emissionen nach Euro V



**WARNUNG:** Bei jeglichen Manipulationen des Motors erlischt die EU-Typgenehmigung für dieses Produkt.

---



---

# Sicherheit

---

## Sicherheitsdefinitionen

Die nachstehenden Definitionen geben den Schweregrad für jedes Signalwort an.



**WARNUNG:** Personenschäden.



**ACHTUNG:** Schäden am Gerät.

**Hinweis:** Diese Informationen erleichtern die Verwendung des Geräts.

## Allgemeine Sicherheitshinweise



**WARNUNG:** Lesen Sie die folgenden Warnhinweise, bevor Sie das Gerät verwenden.

- Dieses Gerät erzeugt beim Betrieb ein elektromagnetisches Feld. Dieses Feld kann sich unter bestimmten Bedingungen auf die Funktionsweise aktiver oder passiver medizinischer Implantate auswirken. Um die Gefahr von Situationen, die zu schweren oder tödlichen Verletzungen führen können, zu reduzieren, sollten Personen mit einem medizinischen Implantat vor der Nutzung dieses Geräts ihren Arzt und den Hersteller des Implantats konsultieren.
- Verwenden Sie das Gerät nicht, wenn Sie müde oder krank sind oder unter Einfluss von Alkohol, Drogen oder Medikamenten stehen. Dies wirkt sich negativ auf Ihre Sehkraft, Ihre Aufmerksamkeit sowie Ihr Koordinations- und Urteilsvermögen aus.
- Vermeiden Sie es, das Produkt bei schlechtem Wetter zu benutzen, beispielsweise bei dichtem Nebel, starkem Regen oder Wind oder bei großer Kälte. Das Arbeiten mit dem Gerät bei schlechtem Wetter kann Sie ermüden und weitere Risiken entstehen lassen, z. B. einen glatten Boden und eine unberechenbare Fällrichtung.
- Lassen Sie immer Vorsicht walten, und arbeiten Sie mit gesundem Menschenverstand. Wenn Sie sich nach dem Lesen der Bedienungsanleitung über eine Arbeitssituation oder einen Betriebsablauf unsicher fühlen, sprechen Sie mit einem Servicehändler, bevor Sie fortfahren.
- Entfernen Sie die Zündkappe, wenn Sie das Produkt außer Sichtweite lassen.

## Sicherheitshinweise für die Montage



**WARNUNG:** Lesen Sie die folgenden Warnhinweise, bevor Sie das Gerät benutzen.

- Tragen Sie beim Zusammenbau des Geräts und der Schneidausrüstung zugelassene Schutzhandschuhe.
- Ziehen Sie die Zündkappe von der Zündkerze ab, bevor Sie das Gerät zusammenbauen.
- Stellen Sie sicher, dass der richtige Lenker und der richtige Schneidausrüstungsschutz montiert sind, bevor Sie das Gerät bedienen.
- Ein fehlerhafter oder falscher Schneidausrüstungsschutz kann Verletzungen verursachen. Verwenden Sie unter keinen Umständen eine Schneidausrüstung ohne einen zugelassenen Schneidausrüstungsschutz.
- Bringen Sie den Kupplungsdeckel und die Welle korrekt an, bevor Sie das Gerät starten.
- Das Mitnehmerrad und der Stützflansch müssen korrekt in die Mittelbohrung der Schneidausrüstung einrasten. Eine Schneidausrüstung, die nicht korrekt angebracht wurde, kann zu Verletzungen oder zum Tod führen.
- Bringen Sie den Tragegurt am Gerät an, um Verletzungen des Bedieners oder anderer Personen zu vermeiden.

## Sicherheitshinweise für den Betrieb



**WARNUNG:** Lesen Sie die folgenden Warnhinweise, bevor Sie das Gerät benutzen.

- Lernen Sie den Unterschied zwischen Freischneiden in der Forstwirtschaft sowie Rasenfreischneiden und -trimmen. Sie müssen den Unterschied verstehen, bevor Sie das Gerät verwenden.
- Informationen zur Verwendung der persönlichen Schutzausrüstung finden Sie in Abschnitt *Persönliche Schutzausrüstung auf Seite 242*.
- Eine längerfristige Beschallung mit Lärm kann zu bleibenden Gehörschäden führen. Tragen Sie stets einen zugelassenen Gehörschutz.
- Achten Sie auf Warnsignale und laute Stimmen, wenn Sie einen Gehörschutz tragen. Nehmen Sie den Gehörschutz immer ab, sobald der Motor stoppt.
- Benutzen Sie das Gerät niemals, wenn es verändert wurde oder fehlerhaft ist.
- Stellen Sie sicher, dass Zündkappe und -kabel unversehrt sind, um die Gefahr von elektrischen Schlägen auszuschließen.

- Sehen Sie sich im Arbeitsbereich um, um sicherzustellen, dass keine Personen, Tiere oder Objekte während der Nutzung des Geräts eine negative Auswirkung auf die Sicherheit haben.
- Sehen Sie sich im Arbeitsbereich um, um sicherzustellen, dass keine Personen oder Tiere die Schneidausrüstung berühren oder von Objekten getroffen werden, die von der Schneidausrüstung weggeschleudert werden.
- Verwenden Sie das Gerät nicht in einer Situation oder an einem Ort, an dem Sie im Falle eines Unfalls keine Hilfe erhalten können.
- Verwenden Sie das Gerät nicht ohne einen zugelassenen Schneidausrüstungsschutz.
- Stellen Sie sicher, dass Personen oder Tiere einen Mindestabstand von 15 m/50 ft. während der Arbeit einhalten. Schauen Sie immer hinter sich, bevor Sie sich mit dem Gerät umdrehen. Stoppen Sie das Produkt sofort, sobald eine Person oder ein Tier diese 15-m/50-ft.-Sicherheitszone betritt. Wenn noch ein weiterer Arbeiter im gleichen Bereich arbeiten sollte, halten Sie einen Mindestsicherheitsabstand von der 2-fachen Baumhöhe (mindestens 15 m/ 50 ft.) ein.
- Untersuchen Sie das Arbeitsumfeld. Vermeiden Sie lose Gegenstände, z. B. Steine, Glasscherben, Nägel, Stahldrähte und Schnüre, die weggeschleudert werden oder sich um die Schneidausrüstung wickeln könnten.
- Stellen Sie sicher, dass Sie sich gefahrlos bewegen können und einen sicheren Halt haben. Prüfen Sie Ihr Umfeld und achten Sie auf Hindernisse wie z. B. Wurzeln, Steine, Äste und Gräben. Seien Sie vorsichtig, wenn Sie an Hängen arbeiten.



- Arbeiten Sie nicht über die normale Reichweite hinaus. Bewahren Sie stets einen stabilen Stand und eine gute Balance.
- Bevor Sie das Gerät starten, legen Sie es auf eine ebene Fläche und in einem Abstand von mindestens 3 m/10 ft. zur Kraftstoffquelle, von wo aus Sie den Kraftstoff auffüllen. Achten Sie darauf, dass sich keine Gegenstände in der Nähe der Schneidausrüstung befinden oder diese berühren.
- Wenn die Schneidausrüstung im Leerlauf rotiert, lassen Sie diese von einer Servicewerkstatt

- einstellen. Verwenden Sie das Gerät erst wieder, wenn es richtig eingestellt ist oder repariert wurde.
- Achten Sie auf weggeschleuderte Gegenstände. Verwenden Sie immer einen zugelassenen Augenschutz, und halten Sie sich vom Schutz der Schneidausrüstung fern. Steine und andere kleine Objekte können in Ihre Augen geschleudert werden und zur Erblindung oder anderen Verletzungen führen.
- Stellen Sie das Gerät niemals mit laufendem Motor ab, es sei denn, Sie haben es gut im Blick.
- Sie dürfen das geschnittene Material nicht selbst entfernen oder von anderen Personen entfernen lassen, wenn der Motor noch eingeschaltet ist oder die Schneidausrüstung sich dreht, weil dies zu schweren Verletzungen führen kann.
- Schalten Sie den Motor immer ab und stellen Sie sicher, dass sich die Schneidausrüstung nicht dreht, bevor Sie das Material entfernen, das sich um die Klingenswelle gewickelt oder zwischen dem Schneidausrüstungsschutz und der Schneidausrüstung verfangen hat.
- Seien Sie vorsichtig, wenn Sie Material aus dem Bereich um die Schneidausrüstung herum entfernen. Das Winkelgetriebe wird während des Betriebs heiß und kann Verbrennungen verursachen.
- Die Abgase des Motors sind heiß und können Funken schlagen. Brandgefahr. Seien Sie vorsichtig in der Nähe von trockenem und brennbarem Material.
- Betreiben Sie das Gerät niemals in Innenräumen oder in Räumen mit unzureichender Belüftung. Die Abgase enthalten Kohlenmonoxid, ein geruchloses, giftiges und sehr gefährliches Gas.
- Stellen Sie den Motor ab, bevor Sie zu einem neuen Arbeitsbereich wechseln. Bringen Sie immer den Transportschutz an, bevor Sie das Gerät bewegen.
- Eine übermäßige Belastung durch Vibrationen kann bei Personen mit Durchblutungsstörungen zu Kreislaufschäden oder Nervenschäden führen. Sprechen Sie mit Ihrem Arzt, wenn Sie nach übermäßiger Belastung durch Vibrationen irgendwelche Beschwerden haben. Beispiele für solche Symptome sind: Einschlafen von Körperteilen, Gefühlsverlust, Jucken, Stechen, Schmerzen, Verlust oder Beeinträchtigung der normalen Körperkraft, Veränderungen der Hautfarbe oder der Haut. Diese Beschwerden treten normalerweise in den Fingern, Händen und Handgelenken auf. Bei niedrigen Temperaturen kann erhöhte Gefahr bestehen.

## Persönliche Schutzausrüstung

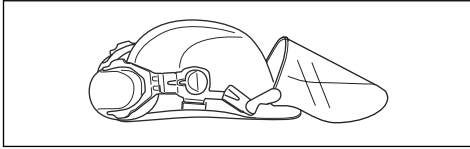


**WARNUNG:** Lesen Sie die folgenden Warnhinweise, bevor Sie das Gerät benutzen.

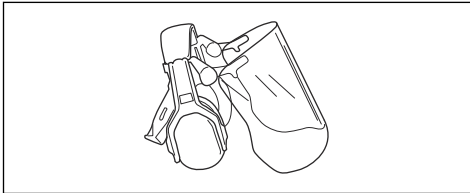
- Verwenden Sie stets die vorgeschriebene persönliche Schutzausrüstung bei der Benutzung

des Geräts. Durch Tragen persönlicher Schutzausrüstung können Verletzungen nicht vollständig ausgeschlossen werden, aber im Ernstfall kann so die Verletzungsschwere reduziert werden. Lassen Sie sich bei der Auswahl der richtigen Ausrüstung von Ihrem Händler beraten.

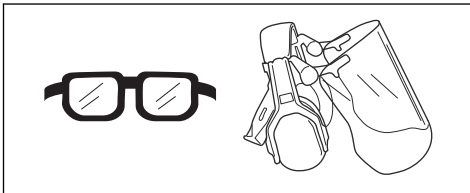
- Tragen Sie einen Helm, wenn die Bäume im Arbeitsbereich höher als 2 m/6,5 ft. sind.



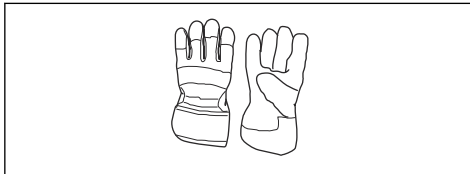
- Tragen Sie einen zugelassenen Gehörschutz.



- Tragen Sie einen zugelassenen Augenschutz. Bei der Benutzung eines Visiers ist außerdem eine zugelassene Schutzbrille zu tragen. Zugelassene Schutzbrillen müssen die Normen ANSI Z87.1 für die USA bzw. EN 166 für EU-Länder erfüllen.



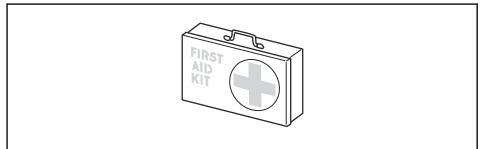
- Tragen Sie bei Bedarf Schutzhandschuhe, beispielsweise bei der Montage, der Untersuchung oder der Reinigung der Schneidausrüstung.



- Tragen Sie Schutzstiefel mit Stahlkappen und rutschfesten Sohlen.



- Tragen Sie Kleidung aus reißfestem Material. Tragen Sie stets lange Hosen aus schwerem Stoff und lange Ärmel. Tragen Sie keine weite Kleidung, die sich leicht an Ästen und Zweigen verfangen könnte. Tragen Sie keinen Schmuck, kurze Hosen oder Sandalen. Gehen Sie nicht barfuß. Binden Sie Ihre Haare sicherheitshalber zusammen, so dass sie nicht über Ihre Schultern fallen.
- Eine Erste-Hilfe-Ausrüstung sollte stets griffbereit bereitgehalten werden.



## Sicherheitsvorrichtungen am Gerät

Für Informationen über Sicherheitsvorrichtungen, siehe *Schutz für die Schneidausrüstung auf Seite 245.*



**WARNING:** Lesen Sie die folgenden Warnhinweise, bevor Sie das Gerät benutzen.

- Benutzen Sie kein Gerät mit defekten Sicherheitsvorrichtungen. Überprüfen und warten Sie die Sicherheitsvorrichtungen regelmäßig. Wenn die Sicherheitsvorrichtungen defekt sind, wenden Sie sich an Ihre McCulloch-Servicewerkstatt.
- Nehmen Sie keine Änderungen an den Sicherheitsvorrichtungen vor. Verwenden Sie das Produkt nicht, wenn Schutzabdeckungen, Sicherheitsschalter oder andere Schutzvorrichtungen nicht montiert oder fehlerhaft sind.
- Für alle Wartungs- und Reparaturarbeiten am Produkt, insbesondere an den Sicherheitsvorrichtungen, ist eine spezielle Schulung erforderlich. Wenn die Sicherheitsvorrichtungen die in dieser Bedienungsanleitung enthaltenen Prüfungen nicht bestehen, müssen Sie sich von einer Servicewerkstatt helfen lassen. Wir garantieren, dass professionelle Reparaturen und Dienste zur Verfügung stehen. Wenn Ihr Händler keine Servicewerkstatt ist, sprechen Sie mit ihm, um

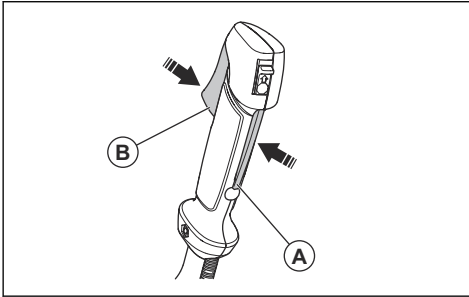
Informationen über die nächste Servicewerkstatt zu erhalten.

- Verwenden Sie keine Schneidausrüstung ohne eine zugelassene und ordnungsgemäß befestigte Schutzvorrichtung. Siehe *Technische Daten auf Seite 263*.

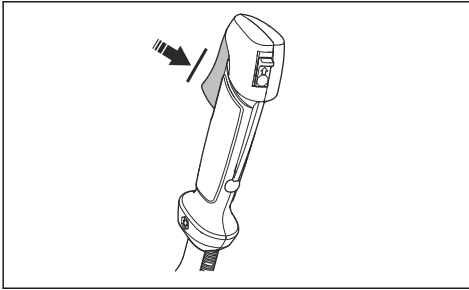
### So prüfen Sie die Gashebelsperre

Die Gashebelsperre soll die unbeabsichtigte Betätigung des Gashebels verhindern.

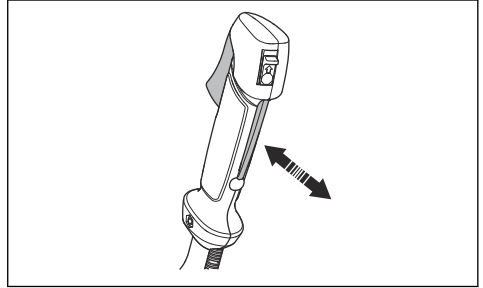
1. Drücken Sie die Gashebelsperre (A) und stellen Sie sicher, dass der Gashebel gelöst ist (B). Wird der Handgriff losgelassen, werden Gashebel und Gashebelsperre wieder in ihre Ausgangsstellung zurückgestellt. Dies geschieht mit Hilfe von zwei Rückzugfedern. Diese Stellung bedeutet, dass der Gashebel im Leerlauf automatisch verriegelt wird.



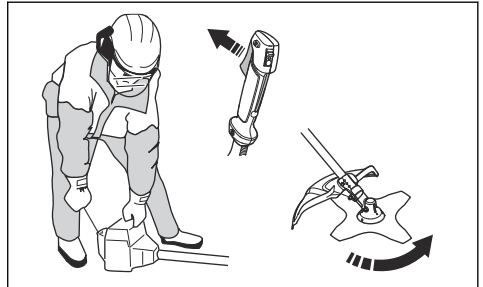
2. Stellen Sie sicher, dass der Gashebel in der Leerlaufstellung verriegelt ist, wenn die Gashebelsperre gelöst wird.



3. Drücken Sie die Gashebelsperre nach unten und kontrollieren Sie, ob sie in die Ausgangsstellung zurückkehrt, wenn sie losgelassen wird.



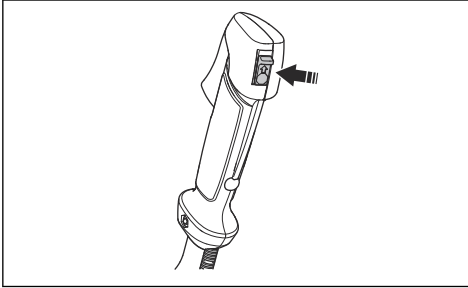
4. Kontrollieren Sie, ob Gashebel und Gashebelsperre mit dem dazugehörigen Rückzugfedersystem leicht funktionieren.
5. Starten Sie das Gerät (siehe Anweisungen unter *Starten und stoppen auf Seite 254*) und geben Sie Vollgas.
6. Lassen Sie den Gashebel los und kontrollieren Sie, ob die Schneidausrüstung völlig zum Stillstand kommt. Stellen Sie den Vergaser ein, wenn sich die Schneidausrüstung bewegt, während sich der Gashebel in Leerlaufstellung befindet. Siehe Anweisungen im Kapitel *So stellen Sie die Leerlaufdrehzahl ein auf Seite 261*.



### So prüfen Sie den Start-/Stopp-Schalter

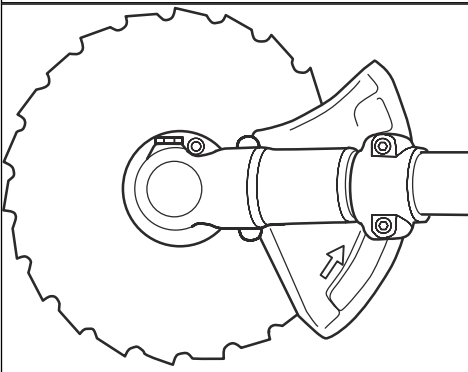
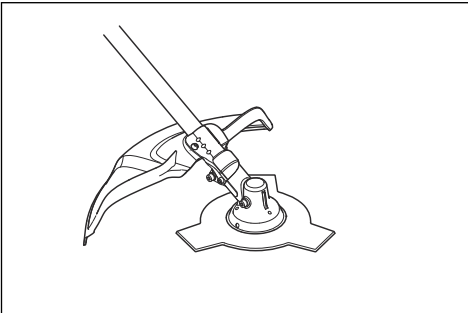
1. Starten Sie den Motor.

2. Stellen Sie den Start-/Stopp-Schalter auf die Position „Aus“, und stellen Sie sicher, dass der Motor zum Stillstand kommt.



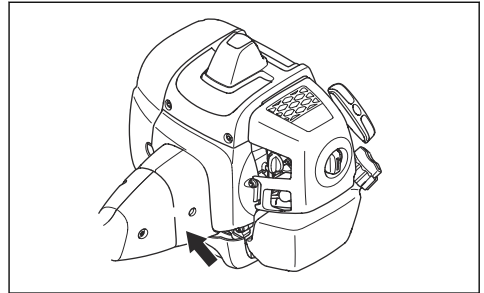
### Schutz für die Schneidausrüstung

Die Schutzvorrichtung der Schneidausrüstung verhindert, dass ein loser Fremdkörper in Richtung des Fahrers geschleudert wird. Überprüfen Sie den Schutz der Schneidausrüstung auf Beschädigung und ersetzen Sie ihn gegebenenfalls. Verwenden Sie nur die zugelassene Schutzvorrichtung für die Schneidausrüstung.



### So prüfen Sie das Antivibrationssystem

Das Antivibrationssystem verringert Vibrationen in den Griffen auf ein Minimum, wodurch die Arbeit erleichtert wird.



1. Stellen Sie den Motor ab.
2. Führen Sie eine Sichtkontrolle auf Verformungen und Beschädigungen (z. B. Risse) durch.
3. Stellen Sie sicher, dass die einzelnen Teile des Antivibrationssystems ordnungsgemäß befestigt sind.

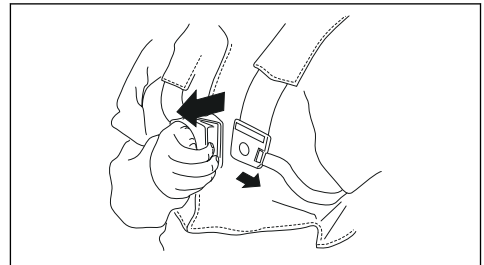
### So prüfen Sie den Schnelllösemechanismus



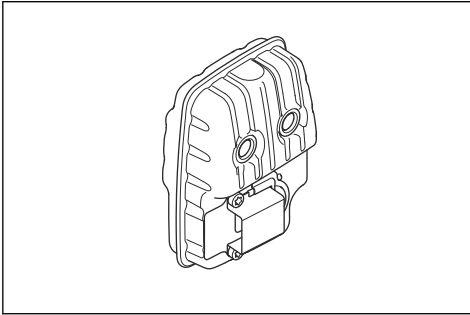
**WARNUNG:** Benutzen Sie keinen Tragegurt, der einen fehlerhaften Schnelllösemechanismus hat.

Der Schnelllösemechanismus lässt den Bediener im Notfall das Produkt schnell vom Tragegurt entfernen.

1. Stoppen Sie den Motor.
2. Führen Sie eine Sichtkontrolle auf Beschädigungen (z. B. Risse) durch.
3. Lösen Sie den Schnelllösemechanismus und befestigen Sie ihn wieder, um sicherzustellen, dass er richtig funktioniert.



## Schalldämpfer



- Verwenden Sie keinen Motor mit defektem Schalldämpfer. Ein beschädigter Schalldämpfer erhöht den Geräuschpegel und die Brandgefahr. Halten Sie stets einen Feuerlöscher griffbereit.
- Überprüfen Sie regelmäßig, ob der Schalldämpfer mit dem Gerät verbunden ist.
- Berühren Sie den Motor oder den Schalldämpfer nicht, solange der Motor eingeschaltet ist. Warten Sie nach dem Abstellen des Motors eine Weile, bevor Sie den Motor oder den Schalldämpfer berühren. Heiße Oberflächen können zu Verletzungen führen.
- Ein heißer Schalldämpfer kann einen Brand verursachen. Seien Sie vorsichtig, wenn Sie das Gerät in der Nähe von entzündlichen Flüssigkeiten oder Gasen verwenden.
- Berühren Sie keine Teile im Schalldämpfer, wenn der Schalldämpfer beschädigt ist. Diese Teile können krebserregende Stoffe enthalten.
- Wenn das Gerät über einen Funkenfänger verfügt, reinigen Sie diesen regelmäßig. 🔧

### So befestigen und entfernen Sie die Sicherungsmutter

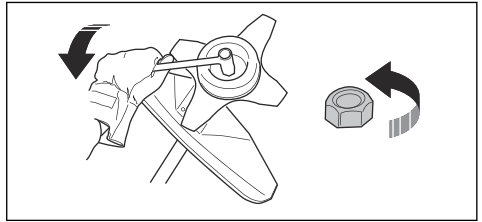


**WARNUNG:** Stellen Sie den Motor ab, tragen Sie Schutzhandschuhe und lassen Sie Vorsicht vor den scharfen Kanten der Schneidausrüstung walten.

Die Kontermutter wird zum Sichern bestimmter Schneidausrüstungen verwendet. Die Kontermutter hat ein Linksgewinde.

- Ziehen Sie bei der Montage die Kontermutter entgegen der Rotationsrichtung der Schneidausrüstung an.
- Lösen Sie bei der Demontage der Kontermutter die Kontermutter in Rotationsrichtung der Schneidausrüstung.

- Verwenden Sie zum Lösen und Anziehen der Kontermutter einen Steckschlüssel mit langem Schaft. Der Pfeil in der Abbildung zeigt den Bereich, wo Sie den Steckschlüssel ansetzen können.



**WARNUNG:** Beim Lösen und Anziehen der Kontermutter besteht Gefahr, sich an der Klinge zu verletzen. Während dieses Vorgangs müssen Sie stets sicherstellen, dass Sie der Klingenschutz vor Verletzungen an der Hand schützt.

**Hinweis:** Stellen Sie sicher, dass Sie die Sicherungsmutter nicht von Hand drehen können. Ersetzen Sie die Mutter, wenn die Nyllonsicherung nicht über einen Widerstand von mindestens 1,5 Nm verfügt. Nachdem sie ca. 10 Mal aufgeschraubt wurde, müssen Sie die Kontermutter ersetzen.

## Schneidausrüstung

Wählen und warten Sie die Schneidausrüstung, um:

- Maximale Schneidleistung zu erreichen
- Die Lebensdauer der Schneidausrüstung zu erhöhen.
- Befolgen Sie die Kontroll-, Wartungs- und Service-Anweisungen für den Schalldämpfer.
- Verwenden Sie immer die empfohlene Schutzvorrichtung für die Schneidausrüstung. Siehe Technische Daten.



**WARNUNG:** Die Schneidausrüstung immer nur mit dem von uns empfohlenen Schutz verwenden! Siehe Kapitel Technische Daten. Informationen zum korrekten Einlegen des Trimmerfadens und zur Wahl des richtigen Fadendurchmessers finden Sie in den Anweisungen für die Schneidausrüstung.



**WARNUNG:** Eine falsche Schneidausrüstung kann die Unfallgefahr erhöhen.

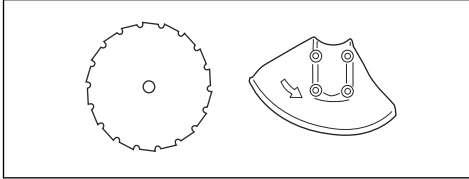


**WARNUNG:** Stellen Sie den Motor immer ab, bevor irgendwelche Arbeiten an der Schneidausrüstung ausgeführt werden.

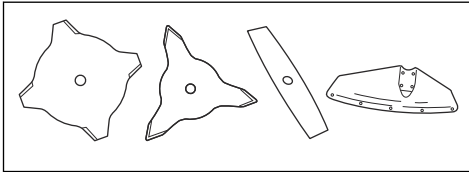
Diese rotiert noch weiter, nachdem der Gashebel losgelassen wurde. Kontrollieren Sie, ob die Schneidausrüstung völlig stillsteht. Ziehen Sie die Zündkappe ab, bevor Sie mit der Arbeit an der Schneidausrüstung beginnen.

### Schneidausrüstung

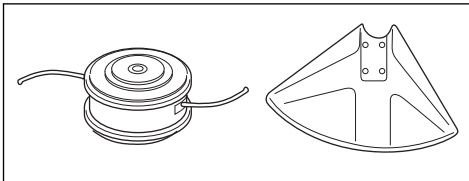
- Verwenden Sie die Sägeklinge, um faserige Holzarten zu schneiden.



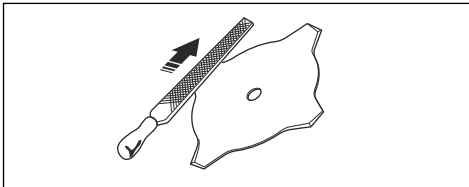
- Verwenden Sie zum Schneiden von dichtem Gras eine Grasklinge.



- Verwenden Sie zum Schneiden von Rasen den Trimmerkopf.



- Eine falsch geschärfte oder beschädigte Klinge erhöht die Unfallgefahr. Sorgen Sie dafür, dass die Schneidzähne der Klinge stets gut und ordnungsgemäß geschärft sind. Befolgen Sie die Anweisungen in *So schärfen Sie Grasmesser und Grasklingen auf Seite 248*, und verwenden Sie die empfohlene Schärfflehre.

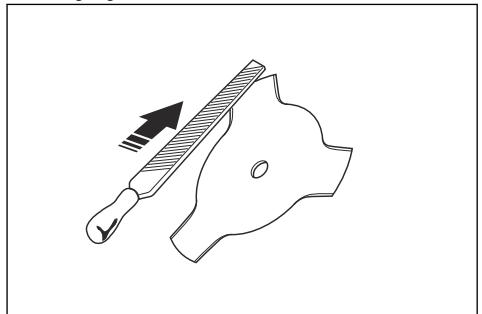


- Überprüfen Sie die Schneidausrüstung auf Beschädigung und Risse. Ersetzen Sie ggf. die beschädigte Schneidausrüstung.

- Verwenden Sie die Schneidausrüstung immer nur mit dem empfohlenen Schutz. Siehe *Technische Daten auf Seite 263*.

### Messer

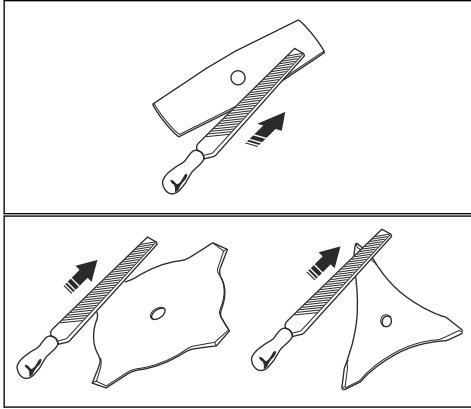
- Verwenden Sie das Gerät mit einer zugelassenen Klinge. Verwenden Sie eine Klinge nur bei korrekter Installation aller erforderlichen Teile. Stellen Sie sicher, dass die Installation abgeschlossen ist und dass die richtigen Teile verwendet werden. Eine fehlerhafte Installation kann dazu führen, dass die Klinge sich löst und schwere Verletzungen des Bedieners oder umstehender Personen verursacht.
- Tragen Sie bei der Handhabung und bei der Wartung der Klinge Schutzhandschuhe.
- Verwenden Sie beim Bedienen eines Geräts mit Klinge einen Kopfschutz.
- Eine Klinge kann zu Verletzungen führen, wenn sie sich dreht, nachdem der Motor gestoppt oder der Gashebel losgelassen wurde. Stellen Sie sicher, dass die Klinge vollständig zum Stillstand gekommen ist, bevor Sie Wartungsarbeiten vornehmen.
- Stellen Sie den Motor immer ab, bevor irgendwelche Arbeiten an der Schneidausrüstung ausgeführt werden. Stellen Sie sicher, dass die Schneidausrüstung vollständig zum Stillstand gekommen ist. Ziehen Sie das Zündkerzenkabel von der Zündkerze ab.
- Halten Sie die Schneidzähne der Klinge stets korrekt und gut geschärft!



- Verwenden Sie keine beschädigte Schneidausrüstung.
- Befestigen Sie für Transport und Lagerung des Geräts den Transportschutz an der Klinge.

### So schärfen Sie Grasmesser und Grasklingen

- Schärfen Sie alle Kanten der Grasmesser und -klingen gleichmäßig, um das Gleichgewicht zu erhalten. Verwenden Sie eine einfache Flachfeile.

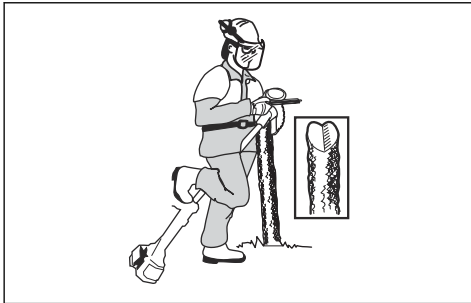


### So schärfen Sie die Sägeklinge

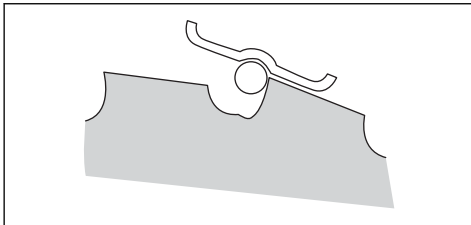


**WARNUNG:** Stoppen Sie den Motor. Tragen Sie stets Schutzhandschuhe.

- Um die Klinge ordnungsgemäß zu schärfen, lesen Sie die Anweisungen, die mit der Klinge ausgeliefert werden.
- Stellen Sie sicher, dass das Produkt und die Klinge ausreichend Unterstützung beim Schärfen haben.

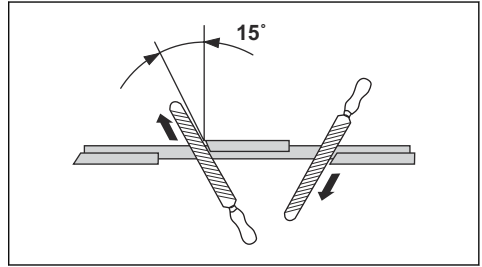


- Verwenden Sie eine 5,5-mm-Rundfeile zusammen mit einem Feilenhalter.



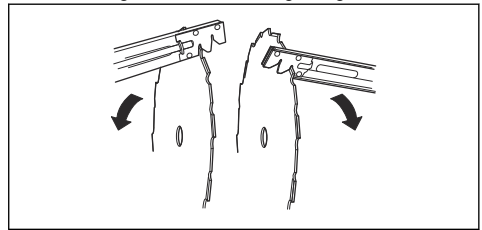
- Halten Sie die Feile in einem Winkel von 15°.

- Schärfen einen Zahn der Sägeklinge nach rechts und den nächsten Zahn nach links (siehe Abbildung).



**Hinweis:** Schärfen Sie die Kanten der Zähne mit einer Flachfeile, falls die Klinge stark abgenutzt ist. Schärfen Sie danach mit einer Rundfeile weiter.

- Schärfen Sie alle Kanten gleichmäßig, damit die Klinge ausgeglichen bleibt.
- Stellen Sie die Klinge mit dem empfohlenen Setzwerkzeug auf 1 mm ein. Befolgen Sie die Anweisungen, die mit der Klinge mitgeliefert werden.

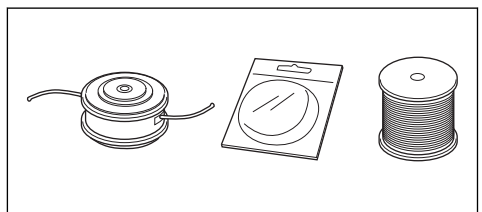


**WARNUNG:** Entsorgen Sie immer eine beschädigte Klinge. Versuchen Sie nicht, eine verbogene oder verdrehte Klinge wieder gerade zu biegen und sie anschließend erneut zu benutzen.

### Trimmerkopf



**WARNUNG:** Achten Sie stets darauf, dass der Trimmerfaden fest und gleichmäßig auf die Rolle gewickelt wird, um gesundheitsschädliche Vibrationen zu vermeiden.





- Verwenden Sie nur empfohlene Trimmerköpfe und -fäden.
- Benutzen Sie nur empfohlene Schneidausrüstung.
- Ein kleineres Gerät erfordert kleine Trimmerköpfe und umgekehrt.
- Die Länge des Trimmerfadens ist wichtig. Bei gleichem Fadendurchmesser erfordert ein längerer Trimmerfaden eine größere Motorleistung als ein kürzerer.
- Achten Sie darauf, dass das Messer am Trimmerschutz intakt ist. Dieses schneidet den Trimmerfaden auf die richtige Länge.
- Weichen Sie den Trimmerfaden vor der Verwendung für einige Tage in Wasser ein, um die Lebensdauer zu erhöhen.
- Füllen Sie keinen Kraftstoff nach, während der Motor läuft.
- Vergewissern Sie sich, dass der Motor abgekühlt ist, bevor Sie Kraftstoff nachfüllen.
- Öffnen Sie vor dem Nachfüllen den Tankdeckel langsam, und lassen Sie den Druck vorsichtig entweichen.
- Füllen Sie keinen Kraftstoff in den Motor, wenn Sie sich in einem Innenraum befinden. Eine mangelhafte Luftzirkulation kann zu schweren oder tödlichen Verletzungen durch Erstickten oder eine Kohlenmonoxidvergiftung führen.
- Drehen Sie den Tankdeckel sorgfältig zu, da ansonsten Brandgefahr besteht.
- Stellen Sie das Gerät vor dem Einschalten in einem Abstand von mindestens 3 m von der Stelle auf, wo Sie den Tank befüllt haben.

## Sicherer Umgang mit Kraftstoff

- Starten Sie das Gerät nicht, wenn sich Kraftstoff oder Öl darauf befindet. Entfernen Sie den unerwünschten Kraftstoff bzw. das Öl, und lassen Sie das Gerät trocknen. Entfernen Sie unerwünschten Kraftstoff aus dem Gerät.
- Wechseln Sie sofort die Kleidung, wenn Sie Kraftstoff darauf verschüttet haben.
- Lassen Sie keinen Kraftstoff auf Ihren Körper gelangen, denn dies kann zu Verletzungen führen. Wenn Kraftstoff auf Ihre Haut gelangt, waschen Sie diesen mit Wasser und Seife ab.
- Starten Sie den Motor niemals, wenn Sie Öl oder Kraftstoff auf das Gerät oder auf Ihren Körper verschüttet haben.
- Starten Sie das Gerät nicht, wenn der Motor undicht ist. Überprüfen Sie den Motor regelmäßig auf Undichtigkeiten.
- Gehen Sie vorsichtig mit Kraftstoff um. Kraftstoff ist feuergefährlich, und die Dämpfe sind explosiv und können zu Verletzungen oder sogar zum Tod führen.
- Atmen Sie die Kraftstoffdämpfe nicht ein, denn sie sind gesundheitsschädigend. Achten Sie auf ausreichende Belüftung.
- Rauchen Sie nicht in der Nähe des Kraftstoffs oder des Motors.
- Stellen Sie keine heißen Gegenstände in der Nähe des Kraftstoffs oder Motors ab.
- Überfüllen Sie den Kraftstofftank nicht.
- Stellen Sie sicher, dass kein Kraftstoff austreten kann, wenn Sie das Gerät oder den Kraftstoffbehälter transportieren.
- Bringen Sie weder das Gerät noch einen Kraftstoffbehälter in Bereiche mit offenem Feuer, Funkenbildung oder Zündflammen. Stellen Sie sicher, dass sich im Lagerbereich keine offene Feuerquelle befindet.
- Verwenden Sie nur zugelassene Behälter, wenn Sie den Kraftstoff transportieren oder einlagern.
- Leeren Sie den Kraftstofftank, bevor Sie das Gerät für längere Zeit einlagern. Entsorgen Sie den Kraftstoff an Orten, die durch die lokalen gesetzlichen Bestimmungen dafür vorgesehen sind.
- Reinigen Sie das Gerät, bevor Sie es für längere Zeit einlagern.
- Ziehen Sie das Zündkerzenkabel ab, bevor Sie das Gerät einlagern, um sicherzustellen, dass der Motor nicht unbeabsichtigt starten kann.

## Sicherheitshinweise für die Wartung

- Wenden Sie sich an Ihr Service Center, wenn Sie die Schneidausrüstung nicht durch die Einstellung der Leerlaufdrehzahl stoppen können. Sie dürfen das Gerät nicht einsetzen, bis es korrekt eingestellt oder repariert wurde.

---

## Montage

---



**WARNUNG:** Lesen Sie vor dem Zusammensetzen des Geräts das Kapitel über Sicherheit.



**WARNUNG:** Ziehen Sie den Zündkerzenstecker von der Zündkerze ab, bevor Sie das Gerät zusammenbauen.

---

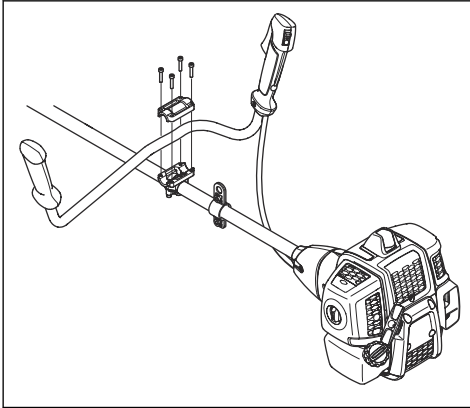
## Einleitung



**WARNUNG:** Vor dem Betrieb des Gerätes müssen Sie die Sicherheitsinformationen lesen und verstehen.

## So montieren Sie den Lenker

1. Befestigen Sie den Lenker auf der Halterung wie abgebildet.



## So montieren Sie Klingen und Trimmerköpfe



**WARNUNG:** Verwenden Sie nur den zugelassenen Klingenschutz. Siehe *Technische Daten auf Seite 263*. Ein defekter Schutz kann Verletzungen verursachen.

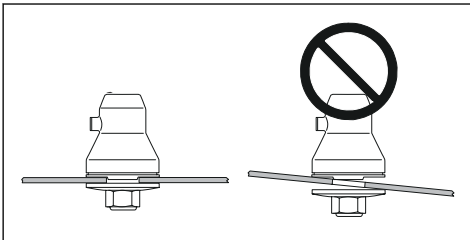


**WARNUNG:** Wenn Sie das Gerät mit einer Grasklinge betreiben, montieren Sie zunächst den korrekten Lenker, Klingenschutz und Tragegurt.



**WARNUNG:** Sind die Klingen nicht richtig montiert, kann es zu Verletzungen kommen.

1. Stellen Sie sicher, dass der erhöhte Teil des Mitnehrrads/Stützflansches korrekt in die mittlere Öffnung der Klingen greift.
2. Montieren Sie die Klingen.



## Montieren des Klingenschutzes, der Grasklinge und des Grasmessers

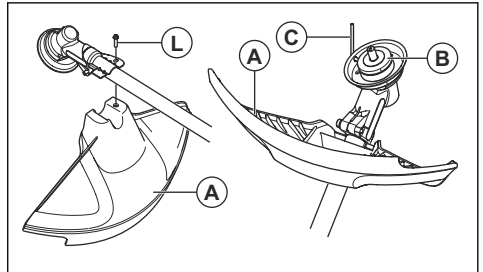


**ACHTUNG:** Verwenden Sie nur den zugelassenen Klingenschutz. Siehe *Bedienungshandbuch*.



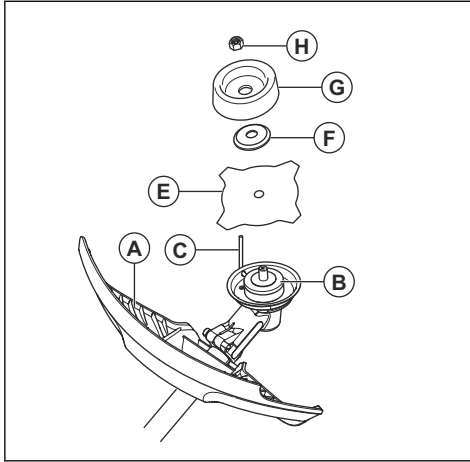
**ACHTUNG:** Stellen Sie sicher, dass die Schutzverlängerung entfernt wurde.

1. Befestigen Sie den Klingenschutz/Schutz für die Schneidausrüstung (A) auf dem Führungsrohr und ziehen Sie die Schraube (L) fest an.



2. Montieren Sie das Mitnehrrad (B) an der Abtriebswelle.
3. Drehen Sie die Abtriebswelle, bis sich eines der Löcher des Mitnehrrads mit dem entsprechenden Loch im Getriebegehäuse deckt.
4. Stecken Sie den Sperrstift (C) in das Loch, sodass die Welle fixiert ist.
5. Platzieren Sie die Klingenscheibe (E), den Stützflansch (F) und die Stützkappe (G) an der Abtriebswelle.

- Montieren Sie die Mutter (H). Halten Sie den Schaft des Schlüssels so nah wie möglich am Klingenschutz. Zum Festziehen der Mutter müssen Sie den Schlüssel in die der Drehrichtung entgegengesetzte Richtung drehen. Die Mutter mit einem Moment von 35-50 Nm (3,5-5 kpm) anziehen.

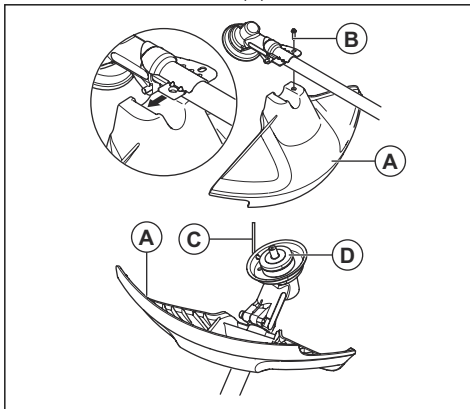


**Hinweis:** Linksgewinde.

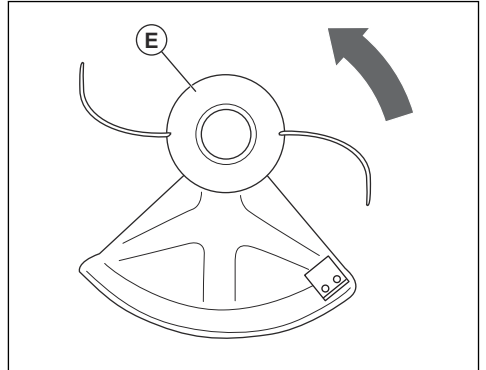
### So bringen Sie den Trimmerschutz und den Trimmerkopf an

**Hinweis:** Stellen Sie sicher, dass Sie den richtigen Trimmerschutz für den passenden Trimmerkopf verwenden.

- Setzen Sie den richtigen Trimmerschutz/Kombischutz (A) für den Trimmerkopf ein.
- Bringen Sie den Trimmerschutz/Kombischutz um das Führungsrohr herum an und ziehen Sie ihn mit der Schraube (B) fest. Verwenden Sie den Sperrstift oder den Inbusschlüssel (C).



- Stecken Sie den Sperrstift oder Inbusschlüssel (C) in die Nut des Schraubenkopfes, und ziehen Sie diesen an.
- Montieren Sie das Mitnehmerrad (D) an der Abtriebswelle.
- Drehen Sie die Abtriebswelle, bis sich eines der Löcher des Mitnehmerrads mit dem entsprechenden Loch im Getriebegehäuse deckt.
- Stecken Sie den Sperrstift oder den Inbusschlüssel (C) in das Loch, um die Welle zu fixieren.
- Montieren Sie den Trimmerkopf/die Kunststoffklingen (E). Drehen Sie den Trimmerkopf/die Kunststoffklingen (H) gegen den Uhrzeigersinn.



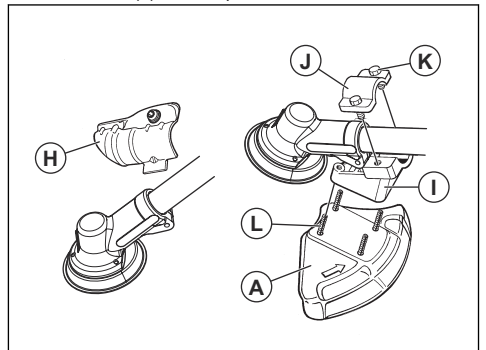
- Der Ausbau erfolgt in umgekehrter Reihenfolge.

### Anbringen von Klingenschutz und Sägeklinge

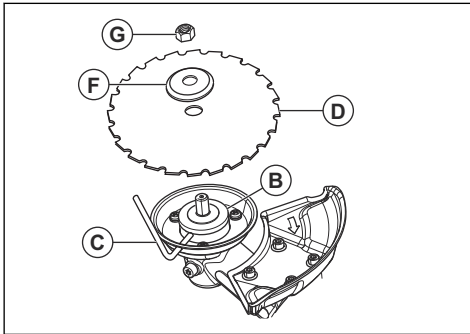


**ACHTUNG:** Verwenden Sie nur den zugelassenen Klingenschutz. Siehe *Technische Daten auf Seite 263.*

- Das Befestigungsblech (H) demontieren.
- Montieren Sie den Adapter (I) und den Bügel (J) mit den beiden Schrauben (K).
- Montieren Sie den Klingenschutz (A) mit den vier Schrauben (L) am Adapter.

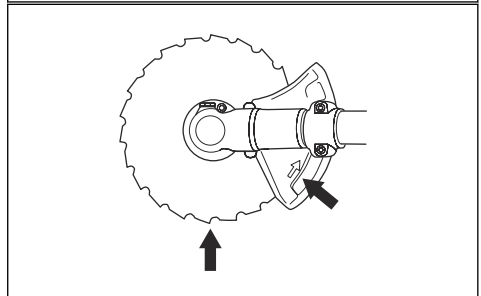
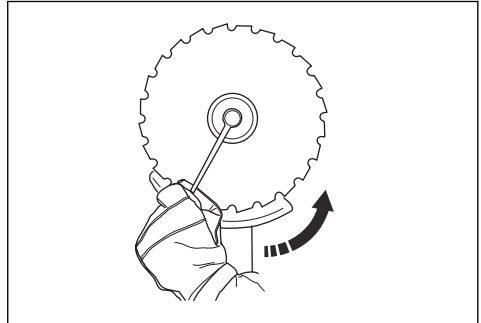


4. Montieren Sie das Mitnehmerrad (B) an der Abtriebswelle.
5. Drehen Sie die Klingenachse, bis sich eines der Löcher des Mitnehmers mit dem entsprechenden Loch im Getriebegehäuse deckt.
6. Stecken Sie den Sperrstift (C) in das Loch, so dass die Achse fixiert ist.
7. Platzieren Sie die Klingenscheibe (D) und den Stützflansch (F) an der Abtriebswelle.
8. Bringen Sie die Mutter (G) an. Die Mutter ist mit einem Moment von 35-50 Nm (3,5-5 kpm) anzuziehen. Verwenden Sie den Steckschlüssel aus dem Werkzeugsatz. Greifen Sie den Schaft des Schlüssels so nah wie möglich am Klingenschutz. Um die Mutter anzuziehen, drehen Sie den Schraubenschlüssel entgegen der Rotationsrichtung.



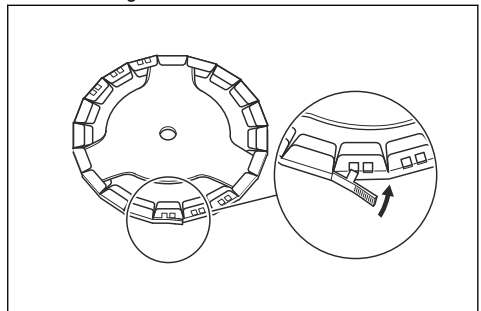
**Hinweis:** Linksgewinde.

9. Beim Lösen und Anziehen der Sägeklingenmutter besteht die Gefahr, dass man sich an den Zähnen der Sägeklinge verletzt. Achten Sie daher immer darauf, dass Ihre Hand durch den Klingenschutz abgesichert wird. Verwenden Sie immer einen Steckschlüssel mit ausreichend langem Schaft, damit dies möglich ist. Der Pfeil in der Abbildung zeigt, in welchem Bereich der Steckschlüssel beim Lösen bzw. Anziehen arbeiten soll.



### Anbringen des Transportschutzes

1. Bringen Sie den Transportschutz gemäß Abbildung an der Klinge an.



### So stellen Sie den Tragegurt ein



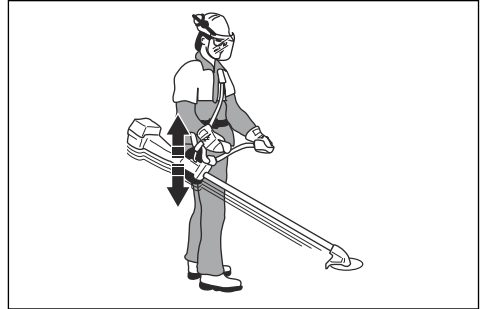
**WARNUNG:** Das Gerät muss immer sicher am Tragegurt befestigt sein. Wenn dies nicht der Fall ist, können Sie das Gerät nicht sicher steuern, und es kann zu

Verletzungen bei Ihnen selbst oder bei anderen kommen. Verwenden Sie den Tragegurt nicht, wenn er defekt ist. Benutzen Sie keinen Tragegurt mit defektem Schnellverschluss.

1. Legen Sie den Tragegurt an.
2. Verbinden Sie das Gerät mit dem Tragegurt.
3. Stellen Sie den Tragegurt auf die optimale Arbeitsstellung ein.
4. Stellen Sie den Seitenriemen so ein, dass das Gewicht des Geräts gleichmäßig auf Ihren Schultern verteilt ist.



5. Stellen Sie den Tragegurt so ein, dass die Schneidausrüstung parallel zum Boden hängt.



6. Die Schneidausrüstung leicht auf dem Boden aufliegen lassen. Stellen Sie den Tragegurthalter ein, um das Gerät korrekt auszubalancieren.

**Hinweis:** Wenn Sie eine Grasklinge verwenden, muss sie sich ca. 10 cm / 4 Zoll über dem Boden befinden.

## Betrieb



**WARNUNG:** Lesen Sie vor der Nutzung des Geräts das Kapitel über Sicherheit, und machen Sie sich damit vertraut.

nach der Verbrennung ist bei diesem Kraftstoff niedriger. Dadurch bleiben die Bauteile des Motors sauberer.

### Einleitung



**WARNUNG:** Vor dem Betrieb des Geräts müssen Sie die Sicherheitsinformationen lesen und verstehen.

### So mischen Sie Kraftstoff vor

#### Benzin

- Verwenden Sie hochwertiges bleifreies Benzin mit maximal 10 % Ethanol (E10).

### Kraftstoff

Dieses Produkt verfügt über einen Zweitaktmotor.



**ACHTUNG:** Die Verwendung eines falschen Kraftstoffs kann zu einer Beschädigung des Motors führen. Verwenden Sie eine Mischung aus Benzin und Zweitaktöl.



**ACHTUNG:** Verwenden Sie kein Benzin mit einer geringeren Oktanzahl als 90 RON (87 AKI). Bei Einsatz von Kraftstoff mit niedrigerer Oktanzahl kann es zu einem Klopfen im Motor kommen, das Motorschäden verursacht.

### Vorgemischter Kraftstoff

- Verwenden Sie McCulloch vorgemischten Alkylatkraftstoff. Dies sorgt für die beste Leistung und eine Verlängerung der Lebensdauer des Motors. Im Vergleich zu herkömmlichem Kraftstoff enthält dieser Kraftstoff weniger gesundheitsschädliche Substanzen, wodurch der Ausstoß schädlicher Abgase verringert wird. Die Menge von Rückständen

#### Zweitaktöl

- Verwenden Sie für beste Ergebnisse und die beste Leistung McCulloch Zweitaktöl.
- Wenn McCulloch Zweitaktöl nicht verfügbar ist, verwenden Sie ein qualitativ hochwertiges Zweitaktöl für luftgekühlte Motoren. Wenden Sie sich an Ihren Kundendienst zur Auswahl der richtigen Ölsorte.



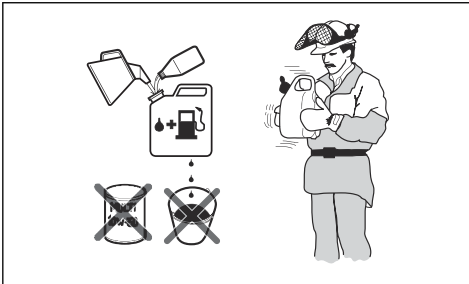
**ACHTUNG:** Verwenden Sie kein Zweitaktöl für wassergekühlte Außenbordmotoren (auch Outboardoil genannt). Verwenden Sie kein Öl für Viertaktmotoren.

## So mischen Sie Benzin und Zweitaktöl

Benzin, Liter	Zweitaktöl, Liter
	<b>2 % (50:1)</b>
5	0,10
10	0,20
15	0,30
20	0,40
US-Gallonen	Flüssige US-Unzen
1	2 ½
2 1/2	6 ½
5	12 ¾



**ACHTUNG:** Beim Mischen kleiner Kraftstoffmengen wirken sich auch kleine Abweichungen bei der Ölmenge stark auf das Mischungsverhältnis aus. Um das korrekte Mischungsverhältnis sicherzustellen, muss die beizumischende Ölmenge genau abgemessen werden.



1. Füllen die Hälfte des Benzins in einen sauberen Kraftstoffbehälter.
2. Fügen Sie die gesamte Menge Öl hinzu.
3. Schütteln Sie die Kraftstoffmischung.
4. Geben Sie dann den Rest des Benzins in den Behälter dazu.
5. Schütteln Sie die Kraftstoffmischung sorgfältig.



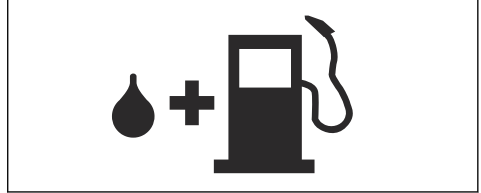
**ACHTUNG:** Mischen Sie Kraftstoff höchstens für einen Monat im Voraus.

## So füllen Sie den Kraftstofftank



**WARNUNG:** Befolgen Sie zu Ihrer eigenen Sicherheit das folgende Verfahren.

1. Stellen Sie den Motor ab, und lassen Sie den Motor abkühlen.
2. Säubern Sie den Bereich rund um den Tankdeckel.



3. Schütteln Sie den Behälter, und stellen Sie sicher, dass der Kraftstoff vollständig vermischt ist.
4. Entfernen Sie den Tankdeckel langsam, damit der Druck entweichen kann.
5. Füllen Sie den Kraftstofftank auf.



**ACHTUNG:** Stellen Sie sicher, dass der Kraftstofftank nicht zu viel Kraftstoff enthält. Der Kraftstoff dehnt sich beim Erwärmen aus.

6. Ziehen Sie den Kraftstofftankdeckel vorsichtig fest.
7. Reinigen Sie das Gerät und den umgebenden Bereich von verschüttetem Kraftstoff.
8. Bewegen Sie das Gerät vor dem Start mindestens 3 m (10 ft) aus dem Auftankbereich und von der Kraftstoff-Auftankquelle weg.

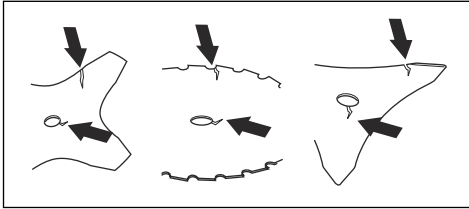
**Hinweis:** Um herauszufinden, wo sich der Kraftstofftank an Ihrem Gerät befindet, siehe *Geräteübersicht auf Seite 239*.

## Starten und stoppen

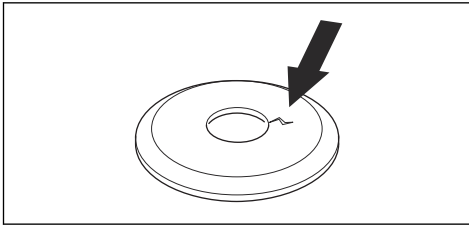
### Bevor Sie das Produkt in Betrieb nehmen

- Untersuchen Sie den Arbeitsbereich, um sicherzustellen, dass Sie die Art des Geländes, die Neigung des Bodens und mögliche Hindernisse wie Steine, Äste und Gräben kennen.
- Führen Sie eine Überholung des Geräts durch.
- Führen Sie Sicherheitskontrollen, Wartungen und Servicemaßnahmen durch, die in dieser Bedienungsanleitung beschrieben sind.
- Stellen Sie sicher, dass alle Abdeckungen, Schutzvorrichtungen, Griffe und die Schneidausrüstung richtig montiert und nicht beschädigt sind.
- Stellen Sie sicher, dass es keine Risse auf der Unterseite der Sägeklinge oder den

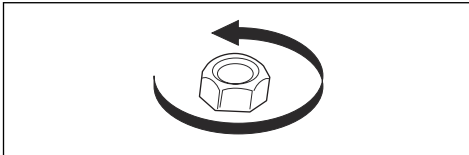
Grasklingenzähnen oder am Mittelloch der Klinge gibt. Ersetzen Sie die Klinge bei Beschädigung.



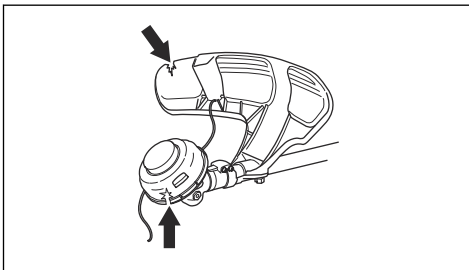
- Überprüfen Sie den Stützflansch auf Risse. Ersetzen Sie den Stützflansch bei Beschädigung.



- Stellen Sie sicher, dass die Sicherungsmutter nicht von Hand entfernt werden kann. Wenn Sie sie von Hand entfernen, hält sie die Schneidausrüstung nicht ausreichend in Stellung, und Sie müssen sie ersetzen.

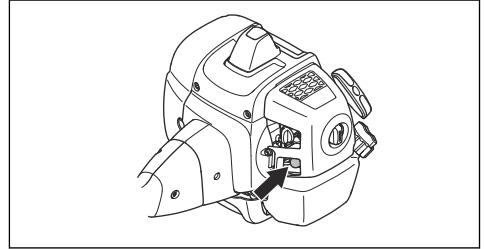


- Überprüfen Sie den Klingenschutz auf Beschädigungen oder Risse. Ersetzen Sie den Klingenschutz bei Beschädigungen oder Rissen.
- Überprüfen Sie den Trimmerkopf und die Schutzvorrichtung für die Schneidausrüstung auf Beschädigungen oder Risse. Ersetzen Sie den Trimmerkopf und die Schutzvorrichtung für die Schneidausrüstung bei Beschädigungen oder Rissen.

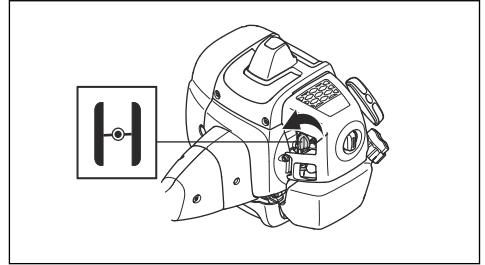


## So lassen Sie den Motor an

1. Stellen Sie das Gerät auf einer ebenen, stabilen Oberfläche ab. Lassen Sie die Schneidausrüstung nicht den Boden berühren.
2. Drücken Sie die Blase der Kraftstoffpumpe mehrmals, bis sich die Pumpe mit Kraftstoff füllt. Es ist nicht erforderlich, die Kraftstoffpumpenblase vollständig zu füllen.

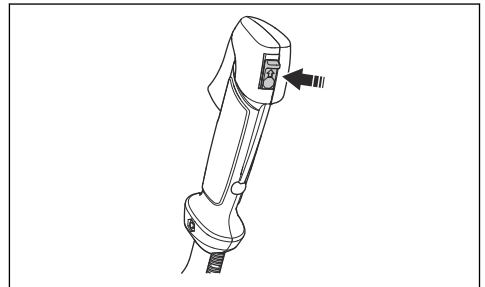


3. Bewegen Sie den Chochehebel in die Choke-Lage.

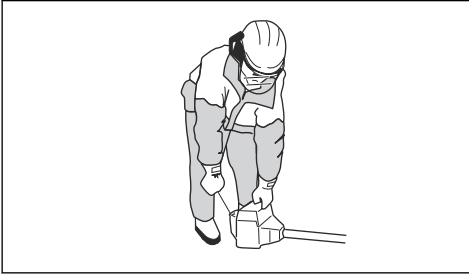


**WARNUNG:** Die Schneidausrüstung beginnt sofort zu rotieren, wenn Sie den Motor mit dem Choke starten.

4. Schalten Sie den Start-/Stopp-Schalter in die Betriebsposition.



5. Drücken Sie den Gerätekörper mit der linken Hand gegen den Boden.



6. Halten Sie den Startseilgriff mit der rechten Hand.  
7. Ziehen Sie das Startseil mit der rechten Hand langsam heraus, bis ein Widerstand zu spüren ist.



**WARNUNG:** Wickeln Sie das Startseil nicht um Ihre Hand.

8. Ziehen Sie schnell und kraftvoll am Startseil. Ziehen Sie wiederholt am Starterseil, bis der Motor anspringt.

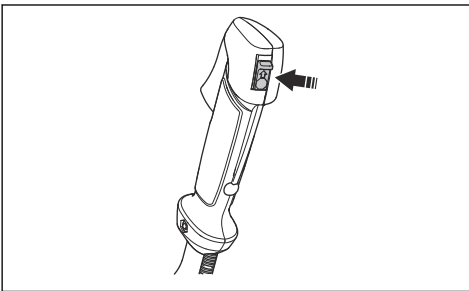


**ACHTUNG:** Ziehen Sie das Startseil nicht ganz heraus, und lassen Sie den Starthandgriff aus ganz herausgezogener Lage nicht los. Dadurch kann das Gerät beschädigt werden.

9. Stellen Sie den Choke sofort zurück, wenn der Motor zündet.  
10. Betätigen Sie den Gashebel stufenweise, wenn der Motor anspringt.  
11. Stellen Sie sicher, dass der Motor einwandfrei läuft, und lassen Sie den Motor vor dem Betrieb 1 bis 2 Minuten lang warm werden.

### So stoppen Sie das Gerät

- Drücken Sie den Stopp-Schalter, um den Motor auszustellen.



## Klingenstoß

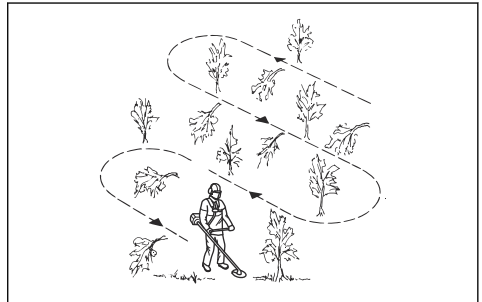
- Ein Klingenstoß ist eine plötzliche Bewegung des Geräts zur Seite, nach vorn oder nach hinten. Ein Klingenstoß tritt auf, wenn die Grasklinge auf ein Objekt trifft, das nicht geschnitten werden kann. In Bereichen, in denen das zu schneidende Material schwer zu sehen ist, ist das Risiko eines Klingenstoßes erhöht.
- Wenn ein Klingenstoß auftritt, besteht das Risiko, dass das Gerät oder der Bediener ihre Position ändern. Eine sich bewegende Klinge kann umstehende Personen treffen und Verletzungen verursachen.
- Entsorgen Sie verbogene, gerissene oder beschädigte Klingen.
- Arbeiten Sie stets mit einer gut geschärften Klinge. Die Gefahr eines Klingenstoßes nimmt zu, wenn die Klinge nicht scharf ist.

## Allgemeine Arbeitsanweisungen



**WARNUNG:** Seien Sie beim Schneiden von Bäumen, die unter Spannung stehen, vorsichtig. Er kann vor oder nach dem Schneiden in seine normale Position zurückspringen und Sie verletzen oder das Produkt beschädigen.

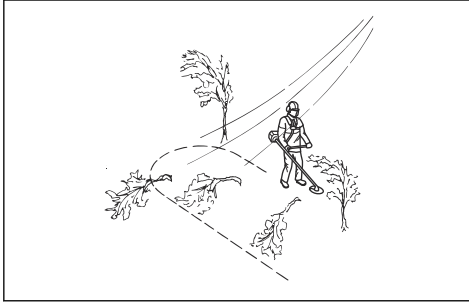
- Machen Sie eine Stelle am Ende des Arbeitsbereichs frei, und beginnen Sie von dort aus mit der Arbeit.
- Bewegen Sie sich in einem regelmäßigen Muster über den Arbeitsbereich.



- Bewegen Sie das Produkt ganz nach links und rechts, um jedes Mal eine Breite von 4–5 m freizumachen.
- Machen Sie eine Strecke von 75 m frei, bevor Sie umkehren und zurückgehen. Nehmen Sie den Kraftstoffkanister mit sich, während Sie fortfahren.
- Bewegen Sie sich in eine Richtung, wo Sie nicht mehr als nötig über Gräben und Hindernisse gehen müssen.



- Bewegen sich in eine Richtung, wo der Wind die geschnittene Vegetation in den bereits freigeschnittenen Bereich fallen lässt.



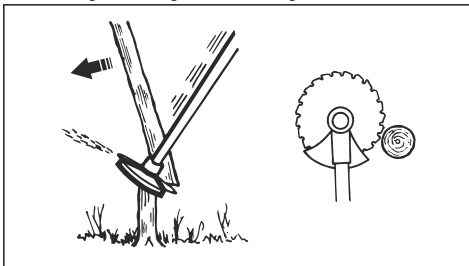
- Bewegen Sie sich den Hängen entlang, nicht auf und ab.

## Freischneiden mit einer Sägeklinge

### So fällen Sie einen Baum nach links

Um nach links zu fällen, drücken Sie den unteren Teil des Baumes nach rechts.

1. Geben Sie Vollgas.
2. Stellen Sie die Sägeklinge entsprechend der Abbildung gegen den Baum.
3. Neigen Sie die Sägeklinge, und drücken Sie sie mit Kraft diagonal nach rechts unten. Drücken Sie den Baum gleichzeitig mit dem Klingenschutz.

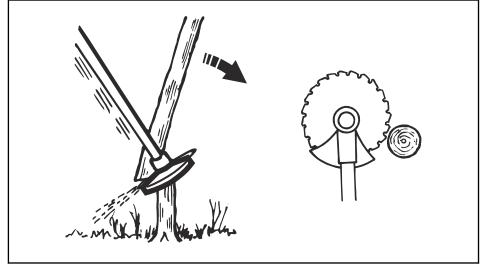


### So fällen Sie einen Baum nach rechts

Um nach rechts zu fällen, drücken Sie den unteren Teil des Baumes nach links.

1. Geben Sie Vollgas.
2. Stellen Sie die Sägeklinge entsprechend der Abbildung gegen den Baum.

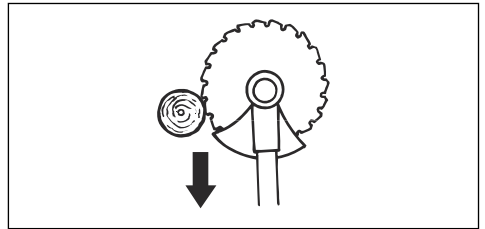
3. Neigen Sie die Sägeklinge, und drücken Sie sie mit Kraft diagonal nach rechts oben. Drücken Sie den Baum gleichzeitig mit dem Klingenschutz.



### So fällen Sie einen Baum nach vorne

Um nach vorne zu fällen, drücken Sie den unteren Teil des Baumes nach hinten.

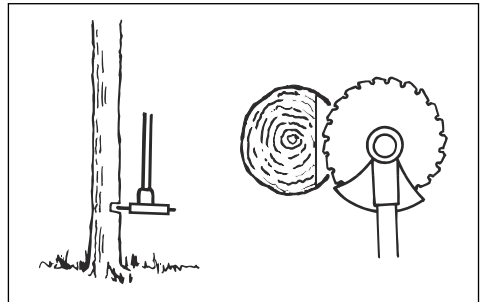
1. Geben Sie Vollgas.
2. Stellen Sie die Sägeklinge entsprechend der Abbildung gegen den Baum.
3. Ziehen Sie die Sägeklinge mit einer schnellen Bewegung nach hinten.



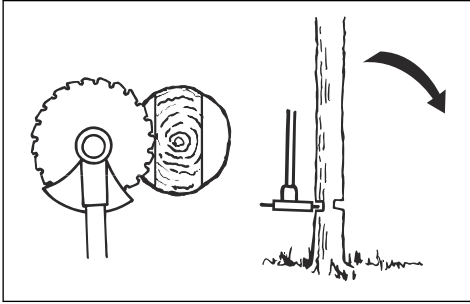
### So fällen Sie große Bäume

Größere Bäume müssen von 2 Seiten geschnitten werden.

1. Prüfen Sie, in welche Richtung der Baum fallen wird.
2. Geben Sie Vollgas.
3. Machen Sie den ersten Schnitt auf der Seite des Baumes, in die er fallen wird.



4. Durchschneiden Sie den Baum von der anderen Seite.



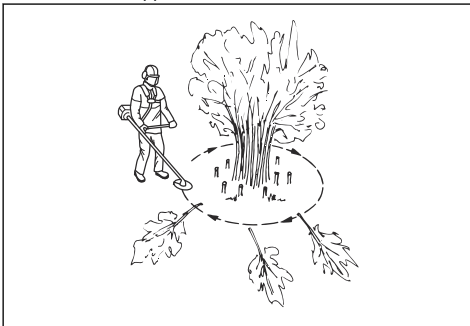
**ACHTUNG:** Falls sich die Sägeklinge verfängt, ziehen Sie das Produkt nicht mit einer plötzlichen Bewegung. Dadurch können die Sägeklinge, das Winkelgetriebe, die Welle oder der Lenker beschädigt werden. Lassen Sie die Griffe los, halten Sie die Welle mit beiden Händen und ziehen Sie das Produkt vorsichtig heraus.

**Hinweis:** Üben Sie mehr Druck zum Fällen von kleinen Bäumen aus. Üben Sie weniger Druck zum Fällen von großen Bäumen aus.

## So schneiden Sie Gestrüpp mit einer Sägeklinge

Um nach links zu fällen, drücken Sie den unteren Teil des Baumes nach rechts.

- Schneiden Sie dünne Bäume und Gestrüpp.
- Bewegen Sie das Produkt von einer Seite zur anderen.
- Schneiden Sie viele Bäume in einer Bewegung.
- Bei einer Gruppe von dünnen Bäumen:



- Schneiden Sie die äußeren Bäume hoch.
- Schneiden Sie die äußeren Bäume auf die richtige Höhe.

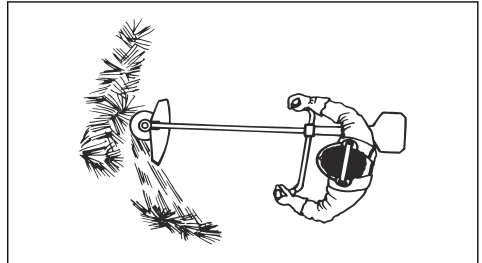
- Schneiden Sie von der Mitte. Wenn Sie die Mitte nicht erreichen können, schneiden Sie die äußeren Bäume hoch und lassen Sie sie herunterfallen. Dies verringert das Risiko, dass die Sägeklinge sich verfängt.

## Grasfreischneiden mit Grasklinge



**ACHTUNG:** Verwenden Sie Grasklingen und Grasmesser nicht auf Holz. Verwenden Sie Grasklingen und Grasmesser nur für langes und grobes Gras.

- Bewegen Sie das Produkt von einer Seite zur anderen.
- Wenn Sie schneiden, beginnen Sie die Bewegung von rechts nach links. Bevor Sie erneut schneiden, bewegen Sie das Produkt nach rechts.
- Schneiden Sie mit der linken Seite der Grasklinge.

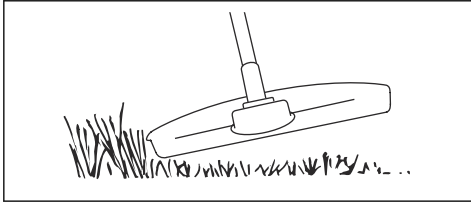


- Neigen Sie die Grasklinge nach links, damit das Gras in einer Linie fällt. Dadurch können Sie den Grasschnitt einfacher einsammeln.
- Behalten Sie eine stabile Stellung mit gespreizten Beinen bei.
- Bewegen Sie sich nach jeder Rechtsbewegung vorwärts, und stellen Sie sicher, dass Sie wieder eine stabile Position haben, bevor Sie erneut schneiden.
- Halten Sie die Stützkappe mit einem leichten Druck gegen den Boden, um sicherzustellen, dass die Grasklinge nicht auf den Boden trifft.
- Befolgen Sie diese Anweisungen, um das Risiko zu verringern, dass sich Schnittmaterial um die Grasklinge herum wickelt:
  - Geben Sie Vollgas.
  - Bewegen Sie die Grasklinge nicht durch bereits geschnittenes Material, wenn Sie das Produkt von links nach rechts bewegen.
- Bevor Sie das Schnittgut aufsammeln, schalten Sie den Motor ab und entfernen Sie das Produkt aus dem Tragegurt. Stellen Sie das Produkt auf dem Boden ab.

## Grastrimmen mit Trimmerkopf

### So trimmen Sie Gras

1. Halten Sie den Trimmerkopf nah über dem Boden und neigen Sie ihn dabei etwas. Drücken Sie den Trimmerfaden nicht in das Gras.



2. Verringern Sie die Länge des Trimmerfadens um 10-12 cm.
3. Senken Sie die Motordrehzahl, um das Risiko, Pflanzen zu beschädigen, zu verringern.
4. Arbeiten Sie mit 80 % Gas, wenn Sie Gras in der Nähe von Objekten schneiden.



### So schneiden Sie Gras

1. Halten Sie den Trimmerkopf über dem Boden.
2. Neigen Sie den Trimmerkopf.
3. Schneiden Sie mit dem Ende des Trimmerfadens um Objekte im Arbeitsbereich.

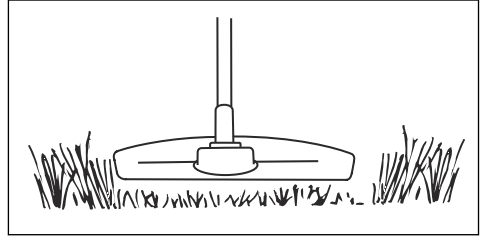


**ACHTUNG:** Schneiden Sie Gras. Andere Objekte, die von der Trimmerlinie getroffen werden, erhöhen den Verschleiß der Trimmerlinie.

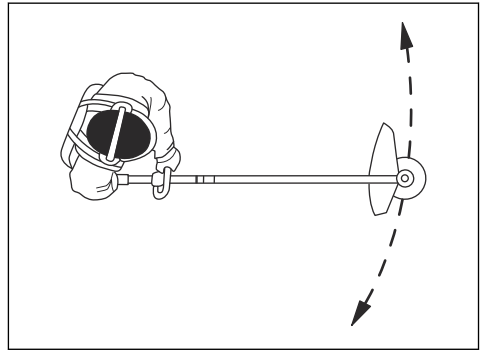
4. Verwenden Sie 80 % der Geschwindigkeit, wenn Sie Vegetation schneiden. Dies verringert den Verschleiß des Trimmerkopfes und der Trimmerlinie.

### So mähen Sie den Rasen

1. Stellen Sie sicher, dass der Trimmerfaden beim Schneiden parallel zum Boden läuft.



2. Drücken Sie den Trimmerkopf nicht auf den Boden. Dies kann das Gerät beschädigen.
3. Schwenken Sie das Gerät von Seite zu Seite, während Sie das Gras schneiden. Nutzen Sie die volle Geschwindigkeit.



### So blasen Sie Gras fort

Der Luftstrom aus dem rotierenden Trimmerfaden kann verwendet werden, um Gras zu entfernen.

1. Halten Sie den Trimmerkopf und den Trimmerfaden parallel zum Boden und über dem Boden.
2. Geben Sie Vollgas.
3. Bewegen Sie den Trimmerkopf von einer Seite zur anderen und blasen Sie das Gras fort.



**WARNUNG:** Reinigen Sie die Trimmerkopfabdeckung jedes Mal, wenn Sie einen neuen Trimmerfaden zusammenbauen, um Unwucht und Vibrationen in den Griffen zu vermeiden. Sie sollten auch die anderen Teile des Trimmerkopfs überprüfen und bei Bedarf reinigen.

# Wartung

## Einleitung

Sicherheit, und machen Sie sich damit vertraut.



**WARNUNG:** Lesen Sie vor dem Warten des Geräts das Kapitel über

## Wartungsplan

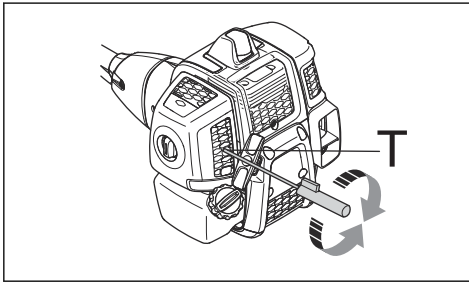
Wartung	Täglich	Wöchentlich	Monatlich
Die Außenfläche reinigen.	X		
Tragegurt auf Beschädigungen untersuchen.	X		
Gashebelsperre und Gashebel überprüfen. Siehe <i>So prüfen Sie die Gashebelsperre auf Seite 244.</i>	X		
Griff und Lenker auf Beschädigungen überprüfen und sicherstellen, dass sie korrekt angebracht sind.	X		
Den Stoppschalter prüfen. Siehe <i>So prüfen Sie den Start-/Stopp-Schalter auf Seite 244.</i>	X		
Sicherstellen, dass die Schneidausrüstung im Leerlauf nicht rotiert.	X		
Den Luftfilter reinigen. Bei Beschädigung ersetzen.	X		
Schutz der Schneidausrüstung auf Beschädigung und Risse überprüfen.	X		
Sicherstellen, dass die Sägeklinge oder die Grasklinge richtig angebracht ist. Sicherstellen, dass die Sägeklinge oder die Grasklinge scharf und unbeschädigt ist.	X		
Trimmerkopf auf Beschädigung und Risse überprüfen. Bei Beschädigung ersetzen.	X		
Bei Schneidausrüstungen mit Sicherungsmutter die Sicherungsmutter vollständig anziehen.	X		
Transportschutz auf Beschädigungen überprüfen und sicherstellen, dass er korrekt angebracht werden kann.	X		
Muttern und Schrauben festziehen.	X		
Motor, Kraftstofftank und Kraftstoffleitungen auf Undichtigkeiten überprüfen.	X		
Startvorrichtung und Startseil auf Beschädigungen überprüfen.		X	
Die Zündkerze überprüfen. Siehe <i>So überprüfen Sie die Zündkerze auf Seite 262.</i> Ersetzen Sie die Zündkerze bei Bedarf. Sicherstellen, dass die Zündkerze über eine Funkentstörung verfügt.		X	
Die Außenseite des Vergasers und den umliegenden Bereich reinigen.		X	
Sicherstellen, dass das Winkelgetriebe korrekt mit Schmierfett gefüllt ist. Siehe <i>Winkelgetriebe auf Seite 262.</i>		X	
Kraftstofffilter auf Verschmutzungen und den Kraftstoffschlauch auf Risse oder andere Beschädigungen überprüfen. Ggf. ersetzen.			X
Alle Kabel und Anschlüsse überprüfen.			X

Wartung	Täglich	Wöchentlich	Monatlich
Die Zündkerze ersetzen. Sicherstellen, dass die Zündkerze über eine Funkenstörung verfügt.			X

## So stellen Sie die Leerlaufdrehzahl ein

Die Nadel für hohe Drehzahl und die Nadel für niedrige Drehzahl sind fest eingestellt und können nicht angepasst werden. Die Leerlaufdrehzahl kann als einzige Funktion angepasst werden.

1. Starten Sie den Motor und stellen Sie sicher, dass er warm ist, bevor Sie beginnen, die Leerlaufdrehzahl anzupassen.
2. Drehen Sie die Leerlaufdrehzahlschraube im Uhrzeigersinn, bis die Schneidausrüstung beginnt, sich zu drehen.



3. Drehen Sie die Leerlaufdrehzahlschraube gegen den Uhrzeigersinn, bis die Schneidausrüstung stehen bleibt.
4. Die Leerlaufdrehzahl muss niedriger sein als die Drehzahl, bei der sich die Schneidausrüstung zu drehen beginnt. Die Leerlaufdrehzahl ist richtig eingestellt, wenn der Motor in allen Stellungen gleichmäßig läuft.

## Wartung des Schalldämpfers

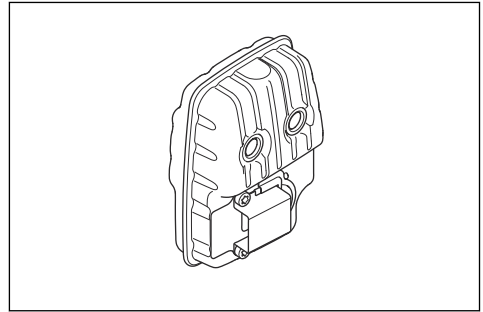
Der Schalldämpfer hat die Aufgabe, den Geräuschpegel zu dämpfen und die Abgase vom Anwender wegzuleiten.



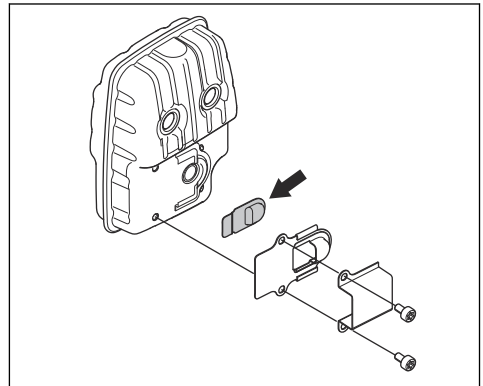
**WARNUNG:** Schalldämpfer mit Katalysator können während des Betriebs sehr heiß werden und bleiben auch einige Zeit nach dem Abstellen des Geräts heiß. Dies gilt auch für den Leerlaufbetrieb. Wenn Sie das Gerät berühren, kann dies zu Verbrennungen führen. Denken Sie auch an die Brandgefahr.

1. Schalten Sie das Gerät aus und lassen Sie es abkühlen.

2. Entfernen Sie den Schalldämpfer.



3. Entfernen Sie die Schrauben, die das Funkenfängernetz befestigen.



4. Reinigen Sie das Funkenfängernetz bei Verstopfung bzw. wechseln Sie es bei Schäden aus.



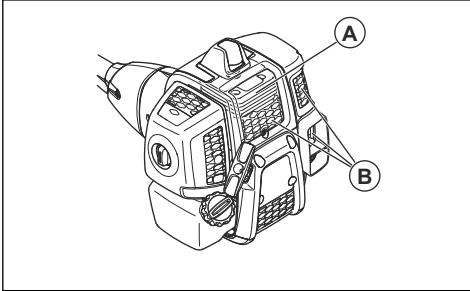
**ACHTUNG:** Weist das Funkenfängernetz Schäden auf, muss es ausgewechselt werden. Benutzen Sie das Gerät nicht ohne oder mit defektem Funkenfängernetz.



**ACHTUNG:** Wenn das Funkenfängernetz häufig verstopft ist, kann dies ein Zeichen dafür sein, dass der Katalysator nicht einwandfrei arbeitet. Lassen Sie den Schalldämpfer von Ihrem Servicehändler kontrollieren. Ein verstopftes Funkenfängernetz kann zu Überhitzung führen, wodurch Schäden an Zylinder und Kolben entstehen können.

## So reinigen/warten Sie das Kühlsystem

Dieses Gerät hat ein Kühlsystem. Eine Verschmutzung oder Verstopfung des Kühlsystems kann zur Überhitzung des Geräts führen, was Zylinder und Kolben beschädigen kann. Überprüfen und reinigen Sie das Kühlsystem einmal pro Woche mit einer Bürste, bei anspruchsvollen Bedingungen öfter. Das Kühlsystem verfügt über Kühlrippen am Zylinder (A) und Lufteinlässe (B).



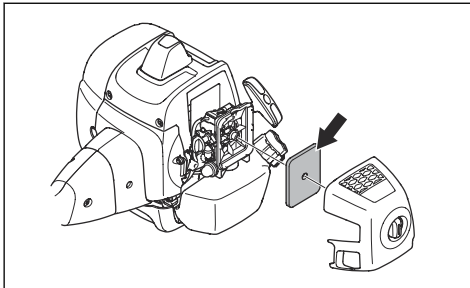
## Luftfilter

Ein verschmutzter Luftfilter kann zu einer Fehlfunktion des Vergasers, Startproblemen, einem Leistungsverlust des Motors und einem Verschleiß der Motorkomponenten führen. Außerdem verbrennt dadurch der Motor mehr Kraftstoff als nötig. Reinigen Sie den Filter in einem Intervall von 8 Stunden oder häufiger, wenn das Produkt sich in einer staubigen Umgebung befindet.

**Hinweis:** Nachdem der Luftfilter gereinigt oder ersetzt wurde, könnte eine Motoreinstellung erforderlich sein. Siehe *So stellen Sie die Leerlaufdrehzahl ein auf Seite 261*.

## So reinigen Sie den Luftfilter und untersuchen ihn

1. Entfernen Sie den Luftfilter.



2. Reinigen Sie den Filzluftfilter mit Druckluft.

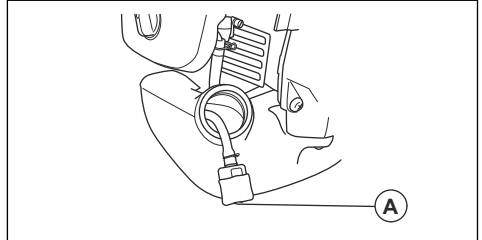


**ACHTUNG:** Tauschen Sie den Filzluftfilter aus, falls er nicht vollständig gereinigt werden kann. Tauschen Sie einen beschädigten Filzluftfilter stets aus.

3. Reinigen Sie die Innenseite des Luftfilterdeckels. Verwenden Sie dazu Druckluft oder eine Bürste.

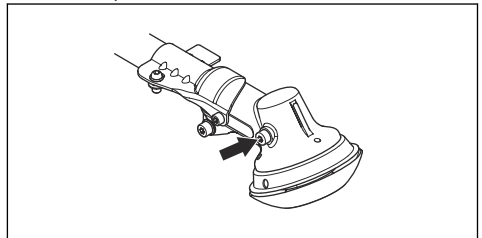
## Kraftstofffilter

Wenn der Motor nicht ausreichend mit Kraftstoff versorgt wird, stellen Sie sicher, dass der Luftspalt in Tankdeckel und Kraftstofffilter (A) sauber ist.



## Winkelgetriebe

Das Winkelgetriebe ist ab Werk mit der korrekten Menge Schmierfett gefüllt. Aber, bevor Sie das Gerät verwenden, stellen Sie sicher, dass das Winkelgetriebe zu 3/4 mit Schmiermittel gefüllt ist. Verwenden Sie McCulloch-Spezialfett.



Das Schmierfett im Winkelgetriebe muss nur gewechselt werden, wenn das Winkelgetriebe repariert wird.

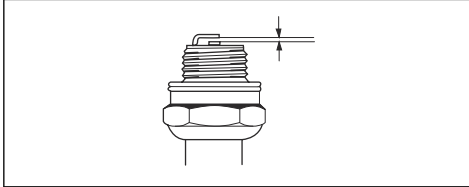
## So überprüfen Sie die Zündkerze



**ACHTUNG:** Verwenden Sie stets den vom Hersteller empfohlenen Zündkerzentyp! Die Verwendung eines falschen Zündkerzentyps kann zu Schäden am Gerät führen.

- Überprüfen Sie die Zündkerze, wenn der Motor nur schwache Leistung bringt, sich nur schwer starten lässt oder im Leerlauf nicht ordnungsgemäß funktioniert.
- Wenn Sie diese Anweisungen befolgen, verringern Sie die Gefahr von unerwünschtem Material an den Elektroden der Zündkerze:

- a) Stellen Sie sicher, dass die Leerlaufdrehzahl richtig eingestellt ist.
  - b) Vergewissern Sie sich, dass das Kraftstoffgemisch korrekt ist.
  - c) Vergewissern Sie sich, dass der Luftfilter sauber ist.
- Ist die Zündkerze verschmutzt, so ist sie zu reinigen; gleichzeitig ist zu prüfen, ob der Elektrodenabstand korrekt ist, siehe *Technische Daten auf Seite 263*.



## Technische Daten

	B40 B Elite	B40 BT Elite
<b>Motor</b>		
Hubraum, cm <sup>3</sup>	40,1	40,1
Zylinderdurchmesser, Ø mm	40,5	40,5
Zylinderhublänge, mm	31,1	31,1
Leerlaufdrehzahl, U/min	3.000	3.000
Empfohlene max. Drehzahl, U/min	12000	12000
Drehzahl der Abtriebswelle, U/min	8220	8220
Motorhöchstleistung gemäß ISO 8893, kW bei U/min	1,5 bei 9000	1,5 bei 9000
<b>Zündanlage</b>		
Zündkerze	NGK CMR7H-10	NGK CMR7H-10
Elektrodenabstand, mm	0,9-1,0	0,9-1,0
<b>Kraftstoff- und Schmiersystem</b>		
Hersteller/Vergasertyp	Ruixing H225D-	Ruixing H225D-
Volumen des Kraftstofftanks, l/cm <sup>3</sup>	1/1000	1/1000
<b>Gewicht</b>		
Ohne Kraftstoff, Schneidusrüstung und Schutz, kg	7,3	7,4
<b>Geräuschemissionen<sup>28</sup></b>		

<sup>28</sup> Umweltbelastende Geräuschemissionen, gemessen als Schalleistung ( $L_{WA}$ ) gemäß EG-Richtlinie 2000/14/EG. Der aufgezeichnete Schalleistungspegel für das Gerät wurde unter Verwendung der originalen Schneidusrüstung, die den höchsten Pegel ergibt, gemessen. Der Unterschied zwischen garantiertem und gemessenem Schalleistungspegel besteht darin, dass beim garantierten Schalleistungspegel auch eine Streuung im Messergebnis und Variationen zwischen verschiedenen Geräten desselben Modells gemäß der Richtlinie 2000/14/EG berücksichtigt werden.

	<b>B40 B Elite</b>	<b>B40 BT Elite</b>
Schalleistungspegel, gemessen dB(A)	112	112
Schalleistungspegel, garantiert L <sub>WA</sub> dB (A)	118	118
<b>Geräuschpegel<sup>29</sup></b>		
Der äquivalente Schalldruckpegel am Ohr des Anwenders, gemessen nach EN/ISO 11806 und ISO 22868, dB(A), min./max.		
Ausgestattet mit Trimmerkopf (Original)	100	100
Ausgestattet mit Grasklinge (Original)	99	99
Ausgestattet mit Sägeblatt (Original)	–	99
<b>Vibrationspegel<sup>30</sup></b>		
Äquivalente Vibrationspegel (a <sub>hv,eq</sub> ) an den Griffen, gemessen gemäß EN/ISO 11806 und ISO 22867, m/s <sup>2</sup>		
Ausgestattet mit Trimmerkopf (Original), links/rechts	3,4/4,4	3,4/4,4
Ausgestattet mit Grasklinge (Original), links/rechts	5,2/5,1	5,2/5,1
Ausgestattet mit Sägeklinge (Original), links/rechts	–	4,5/4,2

<b>B40 B Elite, B40 BT Elite</b>		
<b>Zugelassenes Zubehör</b>	<b>Typ</b>	<b>Schutz für die Schneidausrüstung, Teile-Nr.</b>
Mittelloch in Klingen/Messern Ø 25,4 mm		
Gewinde der Abtriebswelle M12		
Grasklinge/Grasmesser	Grasklinge 255-4, 1 Zoll (Ø 255, 4 Zähne)	580 30 50-01
	Grasklinge 255-3 (Ø 255, 3 Zähne)	580 30 50-01
Sägeblatt	Sägeklinge 200-22 (Ø 200-22 Zähne)	581 33 84-01
Trimmerkopf	P35	580 30 50-01
Stützkappe	Fest	–

<sup>29</sup> Berichten zufolge liegt der äquivalente Schalldruckpegel normalerweise bei einer Ausbreitungsklasse (standardmäßige Ausbreitung) von 1 dB (A).

<sup>30</sup> Berichten zufolge liegt der Vibrationspegel normalerweise bei einer Ausbreitungsklasse (Standardabweichung) von 1 m/s<sup>2</sup>.



## EU-Konformitätserklärung

**Husqvarna AB**, SE-561 82 Huskvarna, Schweden, Tel.: +46-36-146500, erklärt hiermit, dass die Trimmer **McCulloch B40 B Elite** mit Seriennummer ab 2021 (die Jahreszahl wird im Klartext auf dem Typenschild angegeben, mitsamt einer nachfolgenden Seriennummer) den Vorschriften der RICHTLINIE DES RATES entsprechen:

- „Maschinen-Richtlinie“ **2006/42/EG** vom 17. Mai 2006
- „Richtlinie über elektromagnetische Verträglichkeit“ **2014/30/EU** vom 26. Februar 2014
- Richtlinie „über umweltbelastende Geräuschemissionen von zur Verwendung im Freien vorgesehenen Geräten und Maschinen“ **2000/14/EG** vom 8. Mai 2000. Beurteilung der Übereinstimmung gemäß Anhang V. Informationen zu Geräuschemissionen finden Sie im Kapitel „Technische Daten“.
- „Richtlinie zur Beschränkung der Verwendung bestimmter gefährlicher Stoffe in Elektro- und Elektronikgeräten“ **2011/65/EU** vom 8. Juni 2011.

Die folgenden Normen werden erfüllt:

**EN ISO 12100:2010, CISPR 12:2007+A1:2009, EN ISO 14982:2009, EN ISO 11806-1:2011, EN IEC 63000:2018**

RISE SMP Svensk Maskinprovning AB, Box 7035, SE-750 07 Uppsala, Sweden hat im Auftrag von Husqvarna AB eine freiwillige Baumusterprüfung durchgeführt. Die Zertifikate haben die Nummern: **SEC/12/2339** - B40 B Elite, B40 BT Elite

RISE SMP Svensk Maskinprovning AB hat auch die Übereinstimmung mit Anhang V der Richtlinie 2000/14/EG des Rates bestätigt.

Huskvarna, 2020-08-25



Pär Martinsson, Entwicklungsleiter (bevollmächtigter Vertreter für Husqvarna AB, verantwortlich für die technische Dokumentation)

---

## ÍNDICE

---

Introdução.....	266	Manutenção.....	287
Segurança.....	269	Especificações técnicas.....	290
Montagem.....	277	Declaração CE de conformidade.....	292
Funcionamento.....	280	.....	0

---

## Introdução

---

### Descrição do produto

O produto é uma roçadora com um motor de combustão.

Decorre um trabalho constante para aumentar a sua segurança e eficiência durante o funcionamento. Para mais informações, contacte o revendedor com assistência técnica.

### Finalidade

Utilize o produto com uma lâmina de serra, uma lâmina de relva ou cabeça do aparador para cortar diferentes tipos de relva. Não utilize o produto para outras tarefas

que não aparar relva ou desbaste florestal. Utilize uma lâmina de serra para cortar madeiras fibrosas. Utilize uma lâmina de relva ou cabeça do aparador para cortar relva.

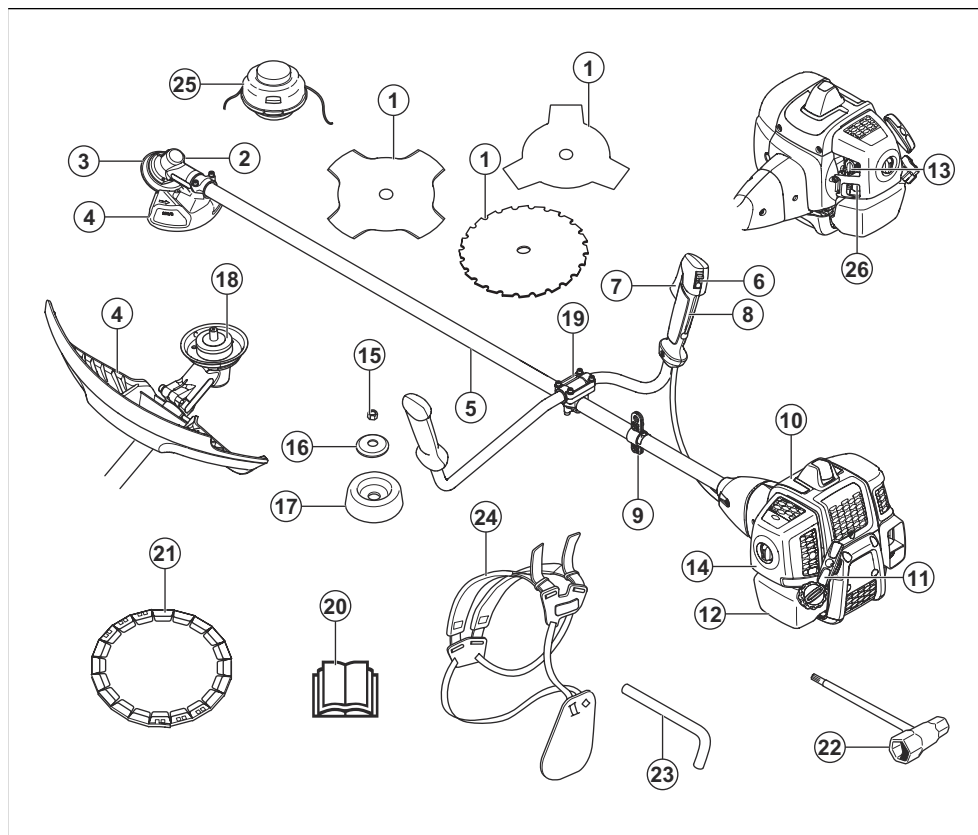
---

**Nota:** A utilização pode estar sujeita a regulamentos nacionais ou locais. Respeite os regulamentos estabelecidos.

---

Utilize apenas o produto com acessórios aprovados pelo fabricante. Consulte *Especificações técnicas na página 290*.

## Vista geral do produto



- |   |  |
|---|--|
| 1. Lâmina (não incluída em todos os mercados)           | 18. Acionador  |
| 2. Enchimento de massa lubrificante, engrenagem angular | 19. Grampo da barra de direcção                                  |
| 3. Engrenagem cônica                                    | 20. Manual do utilizador   |
| 4. Proteção do acessório de corte                       | 21. Proteção para transporte (não incluída em todos os mercados) |
| 5. Eixo   | 22. Chave de caixa   |
| 6. Interruptor de paragem                               | 23. Pino de bloqueio (para produtos sem chave sextavada)         |
| 7. Acelerador   | 24. Cablagem   |
| 8. Bloqueio do acelerador                               | 25. Cabeça do aparador   |
| 9. Olhal de suspensão                                   | 26. Ampola da purga de ar  |
| 10. Cobertura do cilindro                               |  |
| 11. Punho de arranque                                   |  |
| 12. Depósito de combustível                             |  |
| 13. Controlo do estrangulador                           |  |
| 14. Cobertura do filtro de ar                           |  |
| 15. Porca de fixação                                    |  |
| 16. Flange de apoio                                     |  |
| 17. Copo de apoio                                       |  |

### Símbolos no produto



**AVISO!** Este produto é perigoso. Uma utilização não cuidadosa e incorreta poderá provocar ferimentos ou a morte do operador ou de terceiros. Para evitar ferimentos ao operador ou a terceiros, leia

e cumpra todas as instruções de segurança do manual do utilizador.



Leia o manual do utilizador com atenção e certifique-se de que compreende as instruções antes de utilizar o produto.



Utilize um capacete de proteção em locais onde possam cair objetos sobre si. Utilize protetores acústicos aprovados. Utilize proteção ocular aprovada.



Utilize luvas de proteção aprovadas.



Use botas antiderrapantes resistentes.



O produto pode causar a projeção de objetos, o que pode resultar em ferimentos.



Velocidade máxima do eixo de saída.



Mantenha pessoas e animais a uma distância mínima de 15 m/50 pés durante o funcionamento do produto.



Risco de arremesso da lâmina se o equipamento de corte tocar num objeto que não é imediatamente cortado. O produto pode cortar partes do corpo. Mantenha pessoas e animais a uma distância mínima de 15 m/50 pés durante o funcionamento do produto.



Utilize apenas um arame de corte flexível. Não utilize elementos de corte metálicos. Aplicar ao acessório de proteção contra relva.



As setas apresentam o limite para a posição do punho.



Ampola da purga de ar.



Encher o depósito de combustível.



Estrangulador.



Emissões de ruído para o meio ambiente de acordo com a Diretiva Europeia 2000/14/CE e com o regulamento "Protection of the Environment Operations (Noise Control) Regulation 2017" (regulamento de proteção de operações no meio ambiente [controlo do ruído] de 2017 da Nova Gales do Sul). Os dados das emissões de ruído podem ser encontrados na etiqueta da máquina e em *Especificações técnicas na página 290.*



O produto está em conformidade com as diretivas CE aplicáveis.

yyyywwxxxx

A etiqueta de tipo ou a impressão a laser apresenta o número de série. **aaaa** é o ano de fabrico, **ss** é a semana de fabrico.

**Nota:** Os restantes símbolos/autocolantes existentes no produto dizem respeito a exigências para homologação em outras áreas comerciais.

## Responsabilidade pelo produto

Como referido nas leis de responsabilidade pelo produto, não somos responsáveis por danos causados pelo nosso produto se:

- o produto tiver sido incorretamente reparado.
- o produto tiver sido reparado com peças que não sejam do fabricante ou que não sejam aprovadas pelo fabricante.
- o produto tiver um acessório que não seja do fabricante ou que não seja aprovado pelo fabricante.
- o produto não tiver sido reparado por um centro de assistência autorizado ou por uma autoridade aprovada.

## Emissões Euro V



**ATENÇÃO:** A adulteração do motor anula a aprovação deste produto pela UE.

---

# Segurança

---

## Definições de segurança

As definições abaixo indicam o nível de gravidade para cada palavra do sinal.



**ATENÇÃO:** Ferimentos pessoais.



**CUIDADO:** Danos ao produto.

**Nota:** Esta informação facilita a utilização do produto.

## Instruções de segurança gerais



**ATENÇÃO:** Leia as instruções de aviso que se seguem antes de utilizar o produto.

- Este produto produz um campo eletromagnético durante o funcionamento. Em determinadas circunstâncias, este campo pode interferir com o funcionamento de implantes médicos ativos ou passivos. Para diminuir o risco de ferimentos graves ou mortais, recomendamos que os portadores de implantes médicos consultem o seu médico e o fabricante do implante antes de utilizar este produto.
- Não utilize o produto se estiver cansado, doente ou sob a influência de álcool, drogas ou medicamentos. Estes têm um efeito negativo na sua visão, atenção, capacidade de discernimento ou controlo físico.
- Não opere o produto em condições meteorológicas desfavoráveis, como nevoeiro denso, chuva intensa, ventos fortes ou frio extremo. Utilizar o produto em más condições climáticas pode fazer com que se sinta mais cansado e trazer riscos adicionais como, por exemplo, solo escorregadio e direção de abate improvisável.
- Seja sempre cuidadoso e use o seu senso comum. Se não se sentir seguro em relação a uma situação de trabalho ou aos procedimentos de funcionamento após a leitura do manual do utilizador, consulte um representante de assistência antes de continuar.
- Remova a cobertura da vela de ignição quando o deixar fora de vista.

## Instruções de segurança para montagem



**ATENÇÃO:** Leia as instruções de aviso que se seguem antes de utilizar o produto.

- Utilize luvas de proteção aprovadas quando montar o produto e o acessório de corte.
- Retire a cobertura da vela de ignição antes de montar o produto.
- Antes de utilizar o produto, certifique-se de que a barra de direção e a proteção do acessório de corte instaladas são as adequadas.
- Uma proteção do acessório de corte com defeito ou desadequada pode causar ferimentos. Não utilize um acessório de corte sem que esteja montada a respetiva proteção do acessório de corte aprovada.
- Antes de ligar o produto, fixe corretamente a cobertura da embraiagem e o eixo.
- O acionador e a flange de apoio têm de encaixar corretamente no furo central do equipamento de corte. Um acessório de corte ligado incorretamente pode causar ferimentos ou morte.
- Fixe a correia ao produto para evitar ferimentos no utilizador ou noutras pessoas.

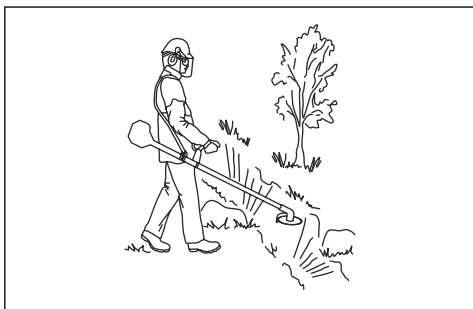
## Instruções de segurança para funcionamento



**ATENÇÃO:** Leia as instruções de aviso que se seguem antes de utilizar o produto.

- Antes de utilizar o produto, é necessário aprender e compreender a diferença entre trabalhos de desbaste florestal e aparar relva.
- Use equipamento de proteção pessoal, consulte *Equipamento de proteção pessoal na página 270*.
- A exposição prolongada a ruídos pode provocar a perda auditiva permanente. Utilize sempre protetores acústicos aprovados.
- Verifique se ouve os sinais de aviso e vozes altas quando está a utilizar os protetores acústicos. Retire os protetores acústicos sempre que o motor parar.
- Nunca utilize um produto que esteja alterado ou com defeito.
- Certifique-se de que a cobertura da vela de ignição e a bobina de ignição não estão danificadas para evitar o risco de choques elétricos.
- Observe a zona em torno da área de trabalho para se certificar de que não existem pessoas, animais ou objetos que comprometam a segurança do funcionamento do produto.
- Observe a zona em torno da área de trabalho para se certificar de que nenhuma pessoa ou animal entra em contacto com o equipamento de corte ou é atingido por objetos projetados pelo equipamento de corte.
- Não utilize o produto numa situação ou local onde não consegue obter ajuda em caso de acidente.

- Não utilize o produto sem uma proteção do acessório de corte aprovada.
- Certifique-se de que as pessoas ou animais se mantêm a uma distância mínima de 15 m/50 pés durante a operação. Olhe sempre para trás de si antes de se virar para trás com o produto. Desligue imediatamente o produto se alguma pessoa ou animal entrar na zona de segurança de 15 m/50 pés. Caso exista mais do que 1 operador a trabalhar na mesma área, mantenha uma distância de segurança mínima de 2 vezes a altura da árvore e, no mínimo, 15 m/50 pés.
- Examine a área de trabalho. Evite objetos soltos, tais como pedras, pedaços de vidro, pregos, arame e cordas, que possam ser projetados ou enredar-se no acessório de corte.
- Certifique-se de que consegue deslocar-se de forma segura e que está numa posição estável. Observe a área à sua volta para detetar eventuais obstáculos como raízes, pedras, galhos e valas. Tenha cuidado ao executar trabalhos em declives.



- Não se debruce. Mantenha sempre os pés numa posição estável e um bom equilíbrio.
- Antes de ligar o produto, coloque-o numa superfície plana, a uma distância mínima de 3 m/10 pés da fonte de combustível e do local onde abastece o combustível. Certifique-se de que não existem objetos próximos ou em contacto com o equipamento de corte.
- Se o equipamento de corte estiver a funcionar em ralenti, efetue a afinação necessária numa oficina autorizada. Não utilize o produto até que esteja devidamente afinado ou reparado.
- Tenha cuidado com a projeção de objetos. Utilize sempre proteção ocular aprovada e mantenha-se afastado da proteção do equipamento de corte. Podem ser projetadas pedras e outros objetos pequenos para os seus olhos e causar cegueira ou outros ferimentos.
- Nunca pouse o produto com o motor em funcionamento a menos que tenha uma boa visibilidade do mesmo.
- Não retire nem deixe que outras pessoas retirem o material cortado com o motor ligado ou com o equipamento de corte em funcionamento, pois tal poderá resultar em ferimentos graves.

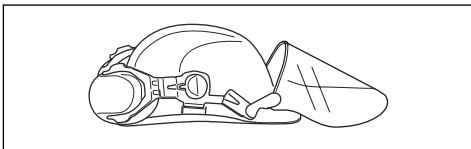
- Desligue sempre o motor e certifique-se de que o equipamento de corte não está em rotação antes de remover o material enredado no eixo da lâmina ou preso entre a proteção do acessório de corte e o respetivo acessório de corte.
- Tenha cuidado ao remover material à volta do acessório de corte. A engrenagem cônica aquece durante o funcionamento e pode causar queimaduras.
- Os gases de escape do motor são quentes e podem conter faíscas. Risco de incêndio. Tenha cuidado na presença de materiais secos e inflamáveis.
- Nunca utilize o produto em espaços interiores ou em espaços sem ventilação adequada. Os gases de escape contêm monóxido de carbono, um gás inodoro, tóxico e altamente perigoso.
- Desligue o motor antes de se deslocar para uma nova área de trabalho. Coloque sempre a proteção de transporte antes de mover o equipamento.
- A sobreexposição a vibrações pode levar a lesões arteriais ou nervosas em pessoas com má circulação sanguínea. Consulte um médico em caso de sintomas relacionados com a sobre-exposição a vibrações. Estes sintomas podem manifestar-se como torpor, ausência de sensibilidade, 'cócegas', 'picadelas', dor, falta ou redução de força normal, alterações de cor da pele ou da sua superfície. Estes sintomas surgem normalmente nos dedos, nas mãos ou nos pulsos. O risco dessas lesões aumenta a baixas temperaturas.

## Equipamento de proteção pessoal

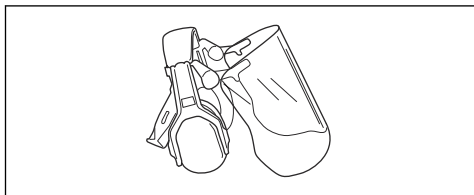


**ATENÇÃO:** Leia as instruções de aviso que se seguem antes de utilizar o produto.

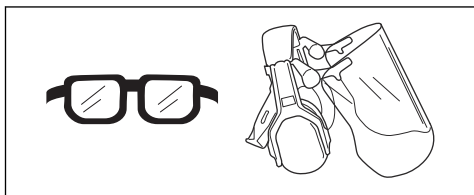
- Utilize sempre equipamento de proteção pessoal aprovado ao utilizar o produto. O equipamento de proteção pessoal não previne totalmente os ferimentos mas diminui a respetiva gravidade em caso de acidente. Obtenha ajuda junto do seu concessionário para selecionar o equipamento certo.
- Utilize um capacete se as árvores na sua área de trabalho tiverem mais de 2 m/6,5 pés de altura.



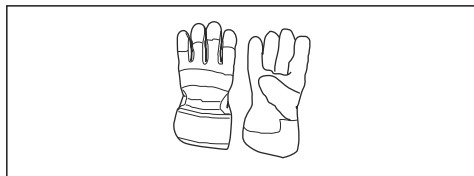
- Utilize protetores acústicos aprovados.



- Utilize proteção ocular aprovada. Mesmo com viseira, é necessário utilizar óculos de proteção aprovados. É necessário que os óculos de proteção aprovados estejam em conformidade com a norma ANSI Z87.1 nos EUA ou a norma EN 166 nos países da UE.



- Utilize luvas sempre que necessário; por exemplo, ao fixar, examinar ou limpar o equipamento de corte.

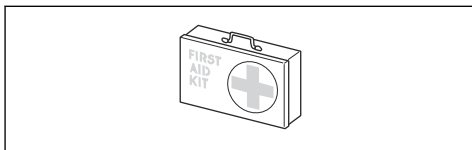


- Utilize botas de proteção com biqueira de aço e solas antiderrapantes.



- Utilize vestuário fabricado com um tecido resistente. Utilize sempre calças e mangas compridas grossas. Não utilize vestuário largo que possa ficar preso em galhos e ramos. Não utilize joias, calções ou sandálias. Não realize as tarefas descalço(a). Coloque o seu cabelo acima dos ombros para maior segurança.

- Mantenha equipamentos de primeiros socorros sempre à mão.



## Dispositivos de segurança no produto

Para saber onde pode encontrar os dispositivos de segurança, consulte *Proteção do acessório de corte na página 272*.



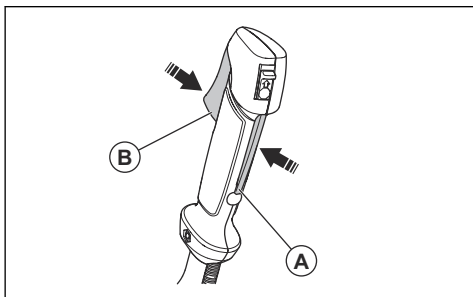
**ATENÇÃO:** Leia as instruções de aviso que se seguem antes de utilizar o produto.

- Não utilize o produto com dispositivos de segurança defeituosos. Verifique e efetue a manutenção dos dispositivos de segurança regularmente. Se os dispositivos de segurança estiverem defeituosos, fale com a sua oficina McCulloch autorizada.
- Não faça alterações aos dispositivos de segurança. Não utilize o produto se as coberturas de proteção, os interruptores de segurança e outros dispositivos de proteção não estiverem fixos ou estiverem defeituosos.
- É necessária formação especial para realizar qualquer tarefa de manutenção ou reparação no produto, sobretudo nos dispositivos de segurança. Se os dispositivos de segurança não passarem os testes de verificação referidos neste manual do utilizador, tem de contactar uma oficina autorizada. Garantimos a disponibilidade de serviços profissionais de reparação e assistência. Se o seu revendedor não for uma oficina autorizada, pergunte-lhes onde se situa a oficina autorizada mais próxima.
- Não utilize um acessório de corte sem uma proteção para o acessório de corte aprovada e corretamente instalada. Consulte o capítulo *Especificações técnicas na página 290*.

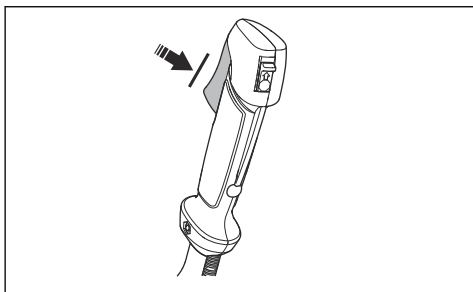
## Verificar o bloqueio do acelerador

O bloqueio do acelerador é construído para evitar a activação involuntária do acelerador.

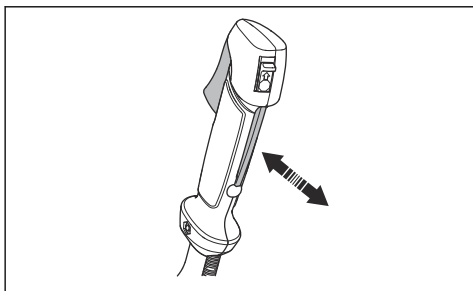
1. Prima o bloqueio do acelerador (A) e certifique-se de que o acelerador é libertado (B). Quando solta o punho, tanto o acelerador como o respetivo bloqueio retornam às suas posições iniciais. Este movimento é controlado por duas molas de retorno. Nesta posição o acelerador fica bloqueado automaticamente na marcha em vazio



2. Quando soltar o bloqueio do acelerador, certifique-se de que o acelerador está bloqueado na posição de ralenti.

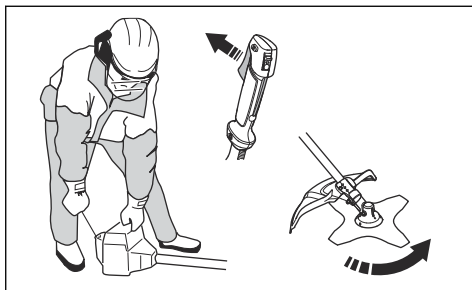


3. Pressione o bloqueio do acelerador e certifique-se de que este regressa à sua posição inicial quando o libertar.



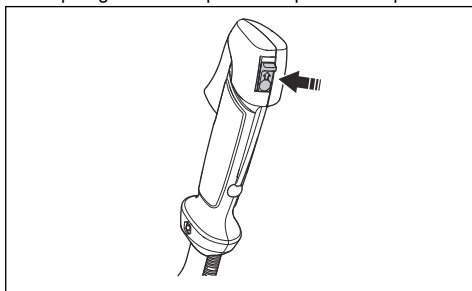
4. Verifique se o acelerador e o bloqueio do acelerador se movem livremente e se os respetivos sistemas de mola de retorno funcionam corretamente.
5. Ligue o produto (consulte as instruções em *Ligar e desligar na página 281*) e aplique aceleração total.

6. Solte o acelerador e certifique-se de que o acessório de corte para e permanece imóvel. Ajuste o carburador se o equipamento de corte se deslocar com o acelerador na posição de ralenti. Consulte as instruções no capítulo *Ajustar o ralenti na página 288*.



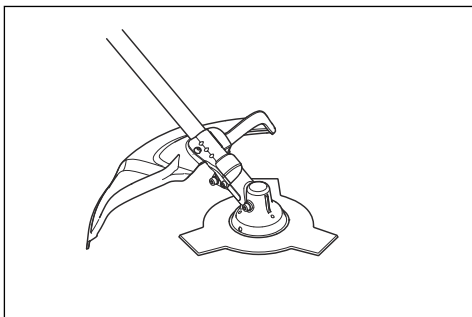
### Verificar o interruptor de paragem

1. Ligue o motor.
2. Desloque o interruptor de paragem para a posição de paragem e certifique-se de que o motor para.

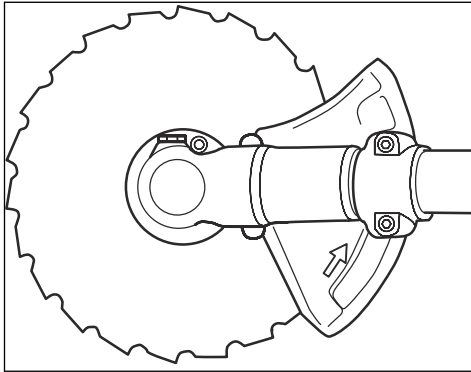


### Proteção do acessório de corte

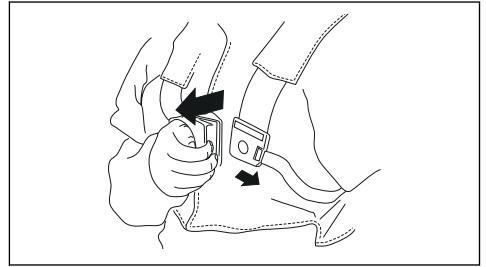
A proteção do acessório de corte evita a projeção de objetos soltos em direção ao operador. Examine a proteção do acessório de corte quanto a danos e substitua se estiver danificada. Utilize apenas a proteção aprovada para o acessório de corte.





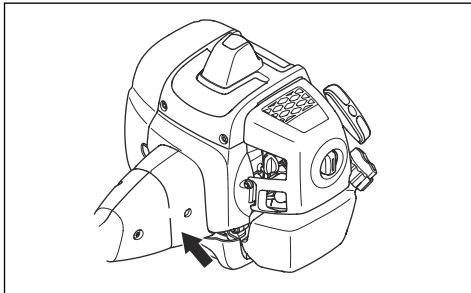


3. Liberte e volte a encaixar o mecanismo de desengate rápido para se certificar de que está a funcionar corretamente.



### Verificar o sistema antivibração

O sistema antivibração diminui as vibrações nos punhos para um mínimo que torna o funcionamento mais fácil.



1. Desligue o motor.
2. Efetue uma inspeção visual para verificar se existem deformações e danos, como, por exemplo, fissuras.
3. Certifique-se de que os elementos do sistema antivibração estão corretamente montados.

### Para verificar o mecanismo de desengate rápido

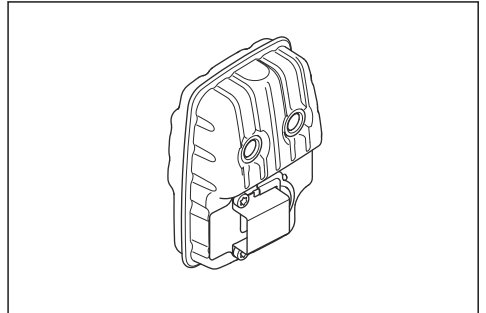


**ATENÇÃO:** Não utilize uma correia com um mecanismo de desengate rápido defeituoso.

O mecanismo de desengate rápido permite que o operador retire o produto rapidamente da correia em caso de emergência.

1. Desligue o motor.
2. Efetue uma inspeção visual para verificar se existem danos, como por exemplo fissuras.

### Silenciador



- Não utilize um motor com um silenciador danificado. Um silenciador danificado aumenta o nível de ruído e o risco de incêndio. Mantenha um extintor de incêndios por perto.
- Examine regularmente se o silenciador está fixo ao produto.
- Não toque no motor ou no silenciador quando o motor está ligado. Não toque no motor ou no silenciador durante algum tempo após a paragem do motor. As superfícies quentes podem causar ferimentos.
- Um silenciador quente pode provocar um incêndio. Tenha cuidado se utilizar o produto nas proximidades de líquidos inflamáveis ou gases.
- Não toque nas peças do silenciador, caso este esteja danificado. As peças podem conter alguns produtos químicos cancerígenos.
- Se o produto tiver uma rede retentora de faíscas, limpe-a regularmente. 🧽

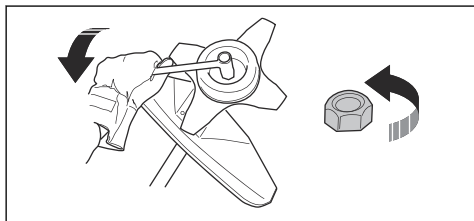
### Fixar e remover a porca de fixação



**ATENÇÃO:** Pare o motor, use luvas de proteção e tenha cuidado junto às extremidades afiadas do acessório de corte.

Uma porca de fixação é utilizada para bloquear alguns tipos de acessórios de corte. A porca de fixação tem uma rosca à esquerda.

- Para fixar, aperte a porca de fixação no sentido oposto ao sentido de rotação do acessório de corte.
- Para remover a porca de fixação, desaperte-a no sentido da rotação do acessório de corte.
- Para desapertar e apertar a porca de fixação, utilize uma chave de caixa com um eixo longo. A seta na imagem mostra a área em que pode utilizar a chave de caixa.



**ATENÇÃO:** Ao desapertar ou apertar a porca de fixação, existe um risco de ferimentos causados pela lâmina. Quando realizar esta operação, certifique-se sempre de que a proteção da lâmina protege a sua mão de ferimentos.

**Nota:** Certifique-se de que não pode rodar a porca de fixação com a mão. Substitua a porca, se o revestimento de nylon não tiver uma resistência de, no mínimo, 1,5 Nm. A porca de fixação tem de ser substituída depois de ser apertada cerca de 10 vezes.

## Equipamento de corte

Escolher e manter o equipamento de corte para:

- Obter o máximo rendimento de corte.
- Aumentar a vida útil do equipamento de corte.
- Cumpra as instruções de verificação, manutenção e assistência técnica do silenciador.
- Utilize sempre a proteção recomendada para o equipamento de corte. Consulte as Especificações técnicas.



**ATENÇÃO:** Use somente o equipamento de corte junto com a proteção recomendada! Consulte o capítulo de Especificações Técnicas. Consulte as instruções do acessório de corte para verificar a forma correta de carregar a linha do aparador e o respetivo diâmetro correto.



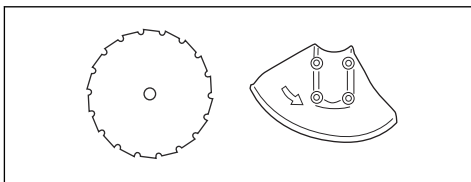
**ATENÇÃO:** Um equipamento de corte incorrecto pode aumentar o risco de acidentes.



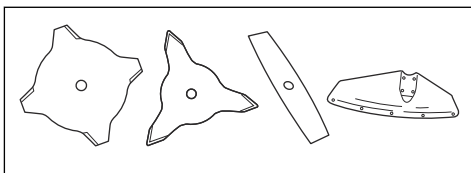
**ATENÇÃO:** pare sempre o motor antes de trabalhar no equipamento de corte. Este continua a girar mesmo depois de se soltar o acelerador. Certifique-se de que o acessório de corte parou completamente e retire a cobertura da vela de ignição antes de começar qualquer trabalho.

## Equipamento de corte

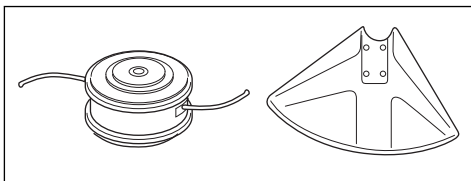
- Utilize a lâmina de serra para cortar madeiras fibrosas.



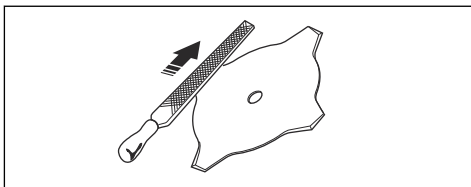
- Utilize as lâminas e facas de jardineiro para cortar relva espessa.



- Utilize a cabeça do aparador para cortar a relva.



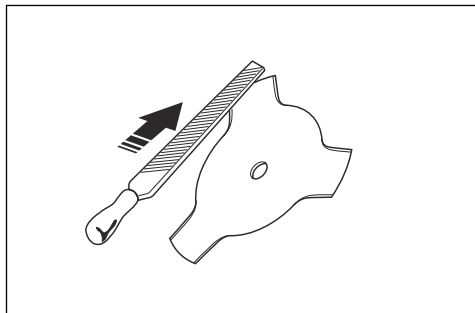
- Uma lâmina mal afiada ou danificada aumenta o risco de acidente. Mantenha sempre os dentes de corte da lâmina bem afiados. Siga as instruções em *Afiar as lâminas e as cortadoras de relva na página 275* e utilize o calibrador de lima recomendado.



- Verifique se o acessório de corte apresenta danos e fissuras. Substitua o acessório de corte danificado.
- Utilize apenas acessórios de corte com as proteções recomendadas. Consulte *Especificações técnicas na página 290*.

## Lâminas

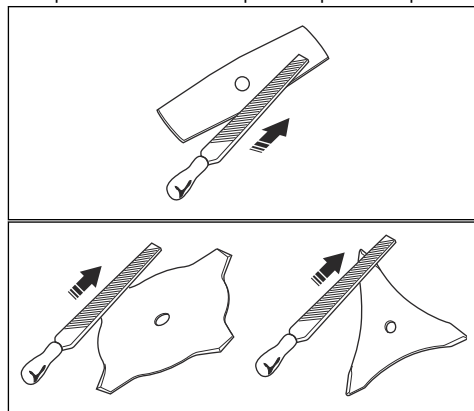
- Utilize o produto com uma lâmina aprovada. Não utilize uma lâmina sem instalar adequadamente todas as peças necessárias. Certifique-se de que a instalação é feita corretamente e que são utilizadas as peças adequadas. Uma instalação incorreta pode fazer com que a lâmina se desprenda e cause ferimentos graves ao operador ou a terceiros.
- Utilize luvas de proteção quando manusear a lâmina ou efetuar a manutenção.
- Utilize proteção para a cabeça quando utilizar um produto com uma lâmina.
- A lâmina pode causar ferimentos ao rodar depois de o motor ser desligado ou o acelerador ser libertado. Certifique-se de que a lâmina parou completamente de rodar antes de efetuar a manutenção.
- Pare o motor antes de realizar tarefas no acessório de corte. Certifique-se de que o acessório de corte para completamente. Remova o cabo da vela de ignição.
- Mantenha sempre os dentes de corte da lâmina bem afiados.



- Não utilize um acessório de corte danificado.
- Fixe a proteção para transporte na lâmina quando transportar ou armazenar o produto.

## Afiar as lâminas e as cortadoras de relva

- Afie todas as bordas das lâminas e das cortadoras de relva do mesmo modo, a fim de manter o equilíbrio. Use uma lima plana de picado simples.

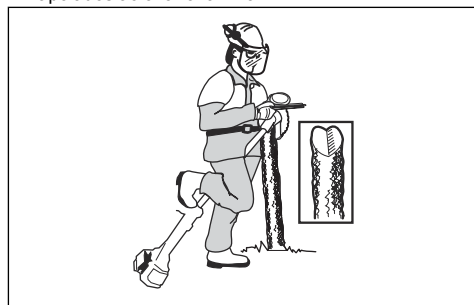


### Para afiar a lâmina de serra

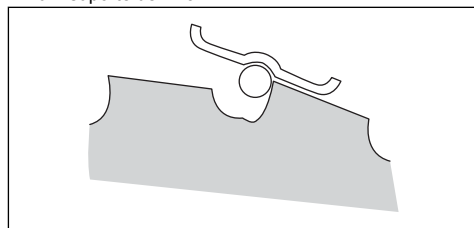


**ATENÇÃO:** Desligue o motor. Utilize luvas de proteção.

- Para afiar corretamente a lâmina, consulte as instruções fornecidas com a lâmina.
- Certifique-se de que o produto e a lâmina estão bem apoiados ao afiar a lâmina.

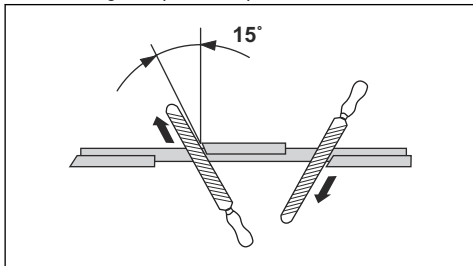


- Utilize uma lima redonda de 5,5 mm juntamente com um suporte de lima.



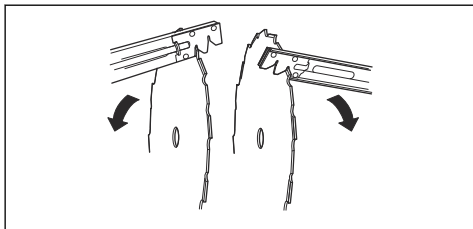
- Segure a lima num ângulo de 15°.

- Afie um dente da lâmina de serra para direita e o dente seguinte para a esquerda, conforme ilustrado.



**Nota:** Afie as extremidades dos dentes com uma lima plana se a lâmina estiver muito desgastada. Continue a afiar com a lima redonda.

- Afie todas as extremidades da mesma forma para manter a lâmina equilibrada.
- Ajuste o travamento dos dentes da lâmina para 1 mm com a ferramenta de travamento recomendada. Consulte as instruções fornecidas com a lâmina.

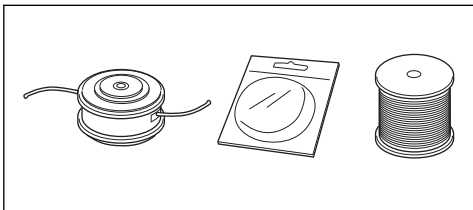


**ATENÇÃO:** Deite sempre fora qualquer lâmina que esteja danificada. Não tente endireitar uma lâmina dobrada ou torcida para a utilizar novamente.

### Cabeçote de recorte



**ATENÇÃO:** Certifique-se sempre de que a linha do aparador é enrolada firme e uniformemente à volta do tambor, para evitar a ocorrência de vibrações prejudiciais.



- Utilize apenas linhas e cabeças do aparador recomendadas.
- Utilize apenas acessórios de corte recomendados.

- Máquinas mais pequenas requerem cabeças do aparador pequenas e vice-versa.
- O comprimento da linha do aparador é importante. Uma corda de corte mais comprida requer maior potência do motor do que uma corda mais curta de igual diâmetro.
- Certifique-se de que a cortadora da proteção de recorte está intacta. Isto corta a linha do aparador com o comprimento correto.
- Embeba a linha do aparador em água durante dois dias antes da utilização para aumentar a vida útil.

### Segurança no manuseamento do combustível

- Não ligue o produto se houver combustível ou óleo do motor sobre o produto. Remova o combustível/ óleo indesejado e deixe o produto secar. Remova o combustível indesejado do produto.
- Se derramar combustível na sua roupa, troque de roupa imediatamente.
- Não deixe que o combustível entre em contacto com o seu corpo, pois pode causar ferimentos. Se o combustível entrar em contacto com o seu corpo, use sabão e água para o remover.
- Não ligue o motor se derramar óleo ou combustível no produto ou no seu corpo.
- Não ligue o produto se o motor tiver uma fuga. Examine regularmente o motor quanto a fugas.
- Tenha cuidado com o combustível. O combustível é inflamável e os gases são explosivos e podem causar ferimentos ou morte.
- Não respire os gases do combustível, podem causar ferimentos. Certifique-se de que existe um fluxo de ar suficiente.
- Não fume perto de combustível ou do motor.
- Não coloque objetos quentes perto do combustível ou do motor.
- Não acrescente combustível com o motor em funcionamento.
- Certifique-se de que o motor está frio antes de reabastecer.
- Antes de reabastecer, abra lentamente a tampa do depósito de combustível e liberte a pressão com cuidado.
- Não adicione combustível ao motor numa área interior. O fluxo de ar insuficiente pode causar ferimentos ou morte devido a asfixia ou monóxido de carbono.
- Aperte a tampa do depósito de combustível com cuidado ou pode ocorrer um incêndio.
- Desloque o produto a uma distância mínima de 3 m (10 pés) da posição onde abasteceu o depósito antes de começar.
- Não encha demasiado o depósito de combustível.
- Certifique-se de que não ocorrem fugas quando desloca o produto ou o recipiente de combustível.
- Não coloque o produto ou um recipiente de combustível onde houver uma chama aberta, fásca

ou luz piloto. Certifique-se de que a área de armazenamento não contém uma chama aberta.

- Utilize apenas recipientes aprovados quando deslocar ou armazenar o combustível.
- Esvazie o depósito de combustível antes do armazenamento a longo prazo. Respeite a legislação local sobre a eliminação de combustível.
- Limpe o produto antes do armazenamento a longo prazo.
- Remova o cabo de vela de ignição antes de armazenar o produto, para se certificar de que o motor não arranca acidentalmente.

## Instruções de segurança para manutenção

- Se não for possível ajustar o ralenti para parar o acessório de corte, fale com o seu centro de assistência. Não utilize o produto até este estar corretamente regulado ou reparado.

## Montagem



**ATENÇÃO:** Leia o capítulo sobre segurança antes de montar o produto.

### Introdução



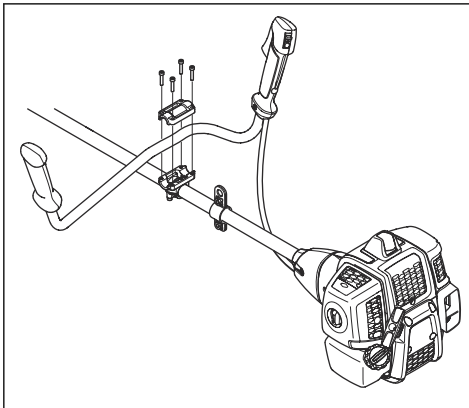
**ATENÇÃO:** Antes de montar o produto, tem de ler e compreender o capítulo sobre segurança.



**ATENÇÃO:** Retire o cabo da vela de ignição antes de montar o produto.

### Instalar a barra de direção

1. Fixe a barra de direção no suporte de montagem conforme apresentado.



### Instalar lâminas e cabeças de aparador



**ATENÇÃO:** Utilize apenas a proteção aprovada para as lâminas. Consulte o capítulo *Especificações técnicas na página*

290. Uma proteção com defeito pode causar ferimentos.

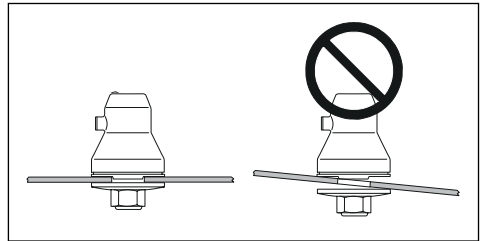


**ATENÇÃO:** Se utilizar o produto com uma lâmina de relva, instale primeiro a barra de direção, a proteção da lâmina e a correia corretas.



**ATENÇÃO:** A instalação incorreta das lâminas pode causar ferimentos.

1. Certifique-se de que a secção elevada do acionador/flange de apoio encaixa corretamente no orifício central das lâminas.
2. Instale as lâminas.



### Instalar a proteção da lâmina, a lâmina de relva e a cortadora de relva

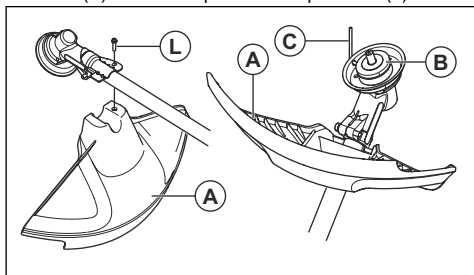


**CUIDADO:** Utilize apenas a proteção aprovada para as lâminas. Consulte o manual do utilizador.

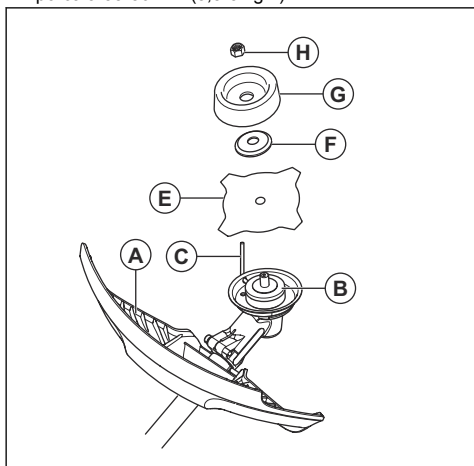


**CUIDADO:** Certifique-se de que extensão da proteção é removida.

1. Fixe a proteção da lâmina/proteção do acessório de corte (A) ao eixo e aperte com o parafuso (L).



2. Instale o acionador (B) no eixo de saída.
3. Rode o eixo de saída até que um dos orifícios do acionador fique alinhado com o orifício correspondente na caixa de engrenagem.
4. Coloque o pino de bloqueio (C) no orifício para bloquear o eixo.
5. Coloque a lâmina (E), o flange de apoio (F) e o copo de apoio (G) no eixo de saída.
6. Instale a porca (H). Segure o eixo da chave o mais próximo possível da proteção da lâmina. Para apertar a porca, é necessário rodar a chave no sentido oposto ao sentido da rotação. Aperte a porca a 35-50 Nm (3,5-5 kgm).



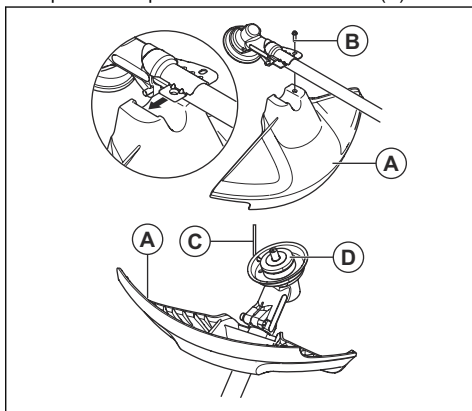
**Nota:** Rosca do lado esquerdo.

### Para fixar a proteção e a cabeça do aparador

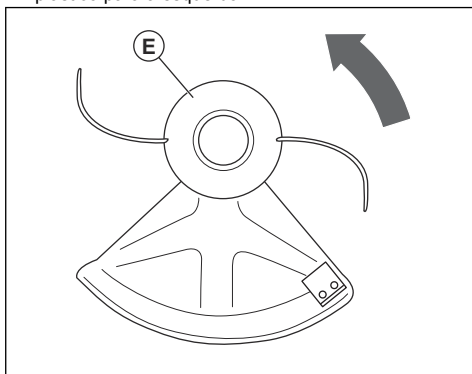
**Nota:** Certifique-se de que utiliza a proteção do aparador correta para a cabeça do aparador correta.

1. Fixe a proteção do aparador/proteção combinada correta (A) para a cabeça do aparador.

2. Instale a proteção do aparador/proteção combinada à volta do eixo e aperte-a com o parafuso (B). Utilize o pino de bloqueio ou a chave sextavada (C).



3. Coloque o pino de bloqueio ou a chave sextavada (C) na ranhura da cabeça do parafuso e aperte.
4. Fixe o acionador (D) no eixo de saída.
5. Rode o eixo de saída até que um dos orifícios do acionador fique alinhado com o orifício correspondente na caixa de engrenagem.
6. Instale o pino de bloqueio ou a chave sextavada (C) no orifício para bloquear o eixo.
7. Monte a cabeça do aparador/as lâminas de plástico (E). Rode a cabeça do aparador/as lâminas de plástico para a esquerda.



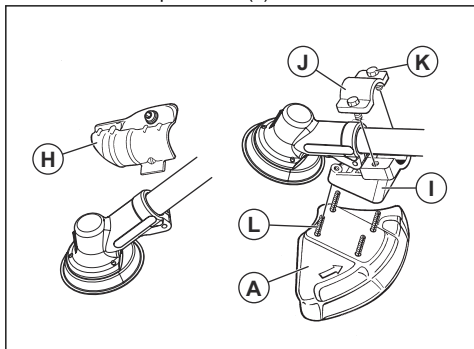
8. Para desmontar, siga as instruções na sequência oposta.

### Para instalar uma proteção da lâmina e lâmina de serra

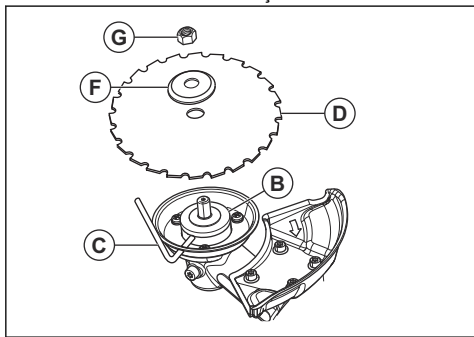


**CUIDADO:** Utilize apenas a proteção aprovada para as lâminas. Consulte o capítulo *Especificações técnicas na página 290*.

1. Desmonte a fixação (H).
2. Instale o adaptador (I) e o suporte (J) com os dois parafusos (K).
3. Instale a proteção da lâmina (A) no adaptador utilizando os 4 parafusos (L).

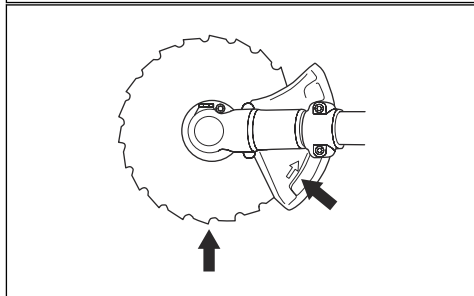
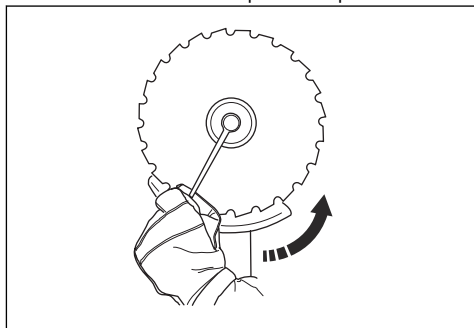


4. Instale o acionador (B) no eixo de saída.
5. Gire o eixo da lâmina até que um dos orifícios do acionador coincida com o orifício correspondente na caixa de engrenagem.
6. Introduza o pino de bloqueio (C) no orifício para bloquear o eixo.
7. Coloque a lâmina (D) e o flange de apoio (F) no eixo de saída.
8. Instale a porca (G). A porca tem de ser apertada com um binário de 35-50 Nm. Utilize a chave de caixa do jogo de ferramentas. Mantenha o cabo da chave o mais próximo possível da proteção da lâmina. Para apertar a porca, rode a chave no sentido contrário ao da rotação.



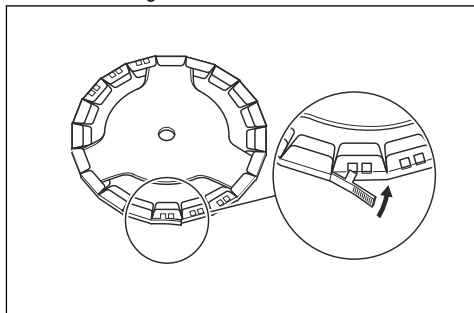
**Nota:** Rosca do lado esquerdo.

9. Ao afrouxar ou apertar a porca da lâmina de serra, há risco de ferimento causado pelos dentes da lâmina. Portanto, certifique-se sempre de que a sua mão está protegida pela proteção da lâmina. Utilize sempre uma chave de caixa com um eixo com um comprimento suficiente para permitir esta operação. A seta na figura apresenta a área onde deve utilizar a chave de caixa ao desapertar ou apertar.



### Para fixar a proteção para transporte

1. Fixe a proteção para transporte na lâmina conforme indicado na figura.



### Ajustar a correia

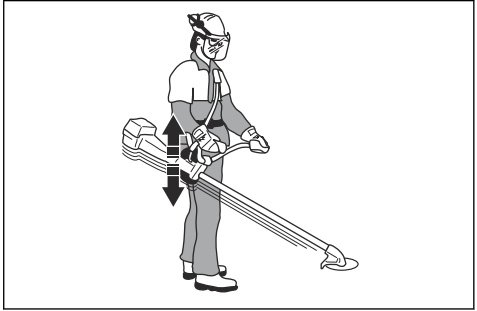


**ATENÇÃO:** O produto tem de estar sempre bem fixo à correia. Caso contrário, não será possível controlar o produto de forma segura, o que pode resultar em ferimentos para o utilizador ou para

terceiros. Não utilize uma correia danificada. Não utilize uma correia com um mecanismo de desengate rápido defeituoso.

5. Ajuste a correia até o acessório de corte ficar paralelo ao chão.

1. Pegue no suporte.
2. Ligue o produto à correia.
3. Ajuste a correia para a melhor posição de trabalho.
4. Ajuste as alças laterais de forma a que o produto exerça o mesmo peso em cada ombro.



6. Apoie ligeiramente o acessório de corte no chão. Ajuste o grampo da correia para equilibrar corretamente o produto.

**Nota:** Se utilizar uma lâmina de relva, tem de equilibrar o produto a cerca de 10 cm/4 pol. do chão.



## Funcionamento



**ATENÇÃO:** Certifique-se de que lê e compreende o capítulo sobre segurança antes de operar o produto.

### Para misturar o combustível

#### Gasolina

- Utilize gasolina sem chumbo de boa qualidade com um conteúdo de etanol de, no máximo, 10%.

### Introdução



**ATENÇÃO:** Antes de utilizar o produto, tem ler e compreender o capítulo sobre segurança.



**CUIDADO:** Não utilize gasolina com um índice de octanas inferior a 90 RON/87 AKI. A utilização de um índice de octanas inferior pode causar batimento do motor, o que provoca danos no motor.

### Combustível

Este produto tem um motor de dois tempos.



**CUIDADO:** O tipo errado de combustível pode resultar em danos no motor. Utilize uma mistura de gasolina e óleo para motor de dois tempos.

### Óleo para motores a dois tempos

- Para obter melhores resultados e desempenho, use o óleo para motor de dois tempos da McCulloch.
- Se o óleo para motores de dois tempos da McCulloch não estiver disponível, use um óleo para motores de dois tempos de boa qualidade destinado a motores arrefecidos a ar. Entre em contacto com o seu revendedor com assistência técnica para selecionar o óleo correto.

### Combustível previamente misturado

- Utilize combustível alquilado previamente misturado da McCulloch para obter o melhor desempenho e prolongar a vida útil do motor. Este combustível contém substâncias químicas menos nocivas em comparação com o combustível normal, o que reduz os gases de escape nocivos. A quantidade de resíduos após a combustão é inferior com este combustível, o que mantém os componentes do motor mais limpos.



**CUIDADO:** Não use óleo para motores de dois tempos formulado para motores fora de borda arrefecidos a água, também conhecido como óleo para motores fora de borda. Não utilize óleo para motores a quatro tempos.

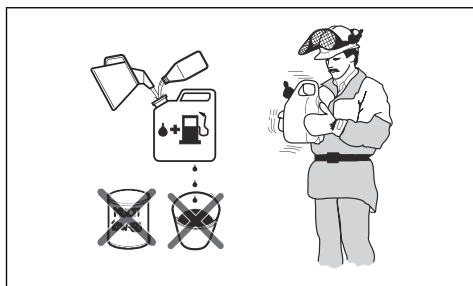


## Misturar gasolina e óleo para motores de dois tempos

Gasolina, litros	Óleo para motor de dois tempos, litros
	<b>2% (50:1)</b>
5	0,10
10	0,20
15	0,30
20	0,40
EUA, galões	EUA, fl. oz.
1	2 ½
2 1/2	6 ½
5	12 ½



**CUIDADO:** Ao misturar pequenas quantidades de combustível, existe o risco de pequenos erros poderem influenciar drasticamente a proporção da mistura. Meça cuidadosamente a quantidade de óleo e certifique-se de que obtém a mistura correta.



1. Encha metade da quantidade de gasolina num recipiente limpo para combustível.
2. Adicione a quantidade total de óleo.
3. Agite bem a mistura de combustível.
4. Adicione a restante quantidade de gasolina ao recipiente.
5. Agite cuidadosamente a mistura de combustível.



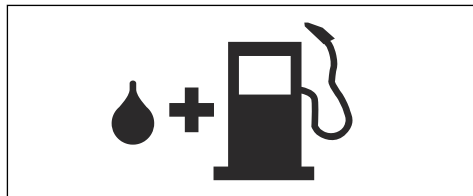
**CUIDADO:** Não misture combustível para mais de 1 mês de cada vez.

## Para encher o depósito de combustível



**ATENÇÃO:** Cumpra o procedimento que se segue para sua segurança.

1. Desligue o motor e deixe-o arrefecer.
2. Limpe bem à volta da tampa do depósito de combustível.



3. Agite ligeiramente o recipiente e certifique-se de que o combustível fica totalmente misturado.
4. Retire a tampa do depósito de combustível lentamente para libertar a pressão.
5. Encha o depósito de combustível.



**CUIDADO:** Certifique-se de que não existe demasiado combustível no respetivo depósito. O combustível expande-se quando fica quente.

6. Aperte com cuidado a tampa do depósito de combustível.
7. Limpe o combustível derramado sobre e à volta do produto.
8. Antes de ligar o motor, afaste o produto, no mínimo, 3 m/10 pés da fonte de combustível e do local de abastecimento.

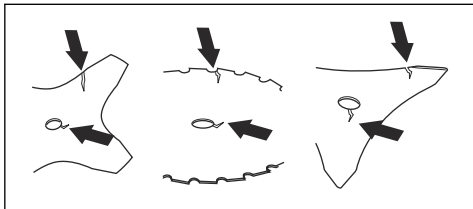
**Nota:** Para ver onde se encontra o depósito de combustível no seu produto, consulte *Vista geral do produto na página 267*.

## Ligar e desligar

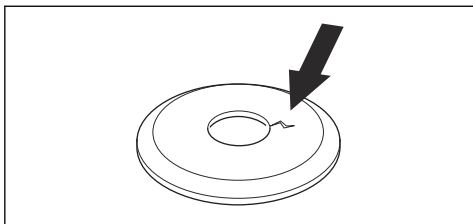
### Antes de utilizar o produto

- Examine a área de trabalho para se certificar de que conhece o tipo de terreno, a inclinação do solo e a existência de obstáculos como pedras, ramos e valas.
- Efetue uma inspeção de revisão do produto.
- Efetue as inspeções de segurança, manutenção e assistência fornecidas neste manual.
- Certifique-se de que todas as coberturas, proteções, punhos e equipamento de corte estão devidamente instalados e não estão danificados.
- Certifique-se de que não existem fissuras na parte inferior da lâmina de serra, nos dentes da lâmina de

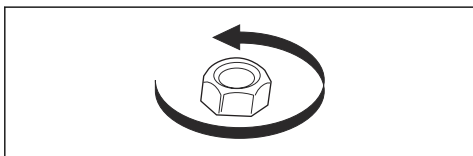
relva ou no orifício central da lâmina. Substitua a lâmina, caso esteja danificada.



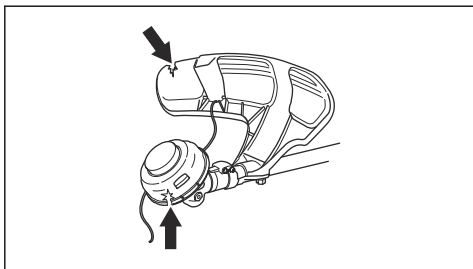
- Examine o flange de apoio quanto à existência de fissuras. Substitua o flange de apoio, caso esteja danificado.



- Certifique-se de que a porca de fixação não pode ser retirada manualmente. Se conseguir retirá-la manualmente, é sinal de que não está a fixar bem o equipamento de corte e que é necessário substituí-la.

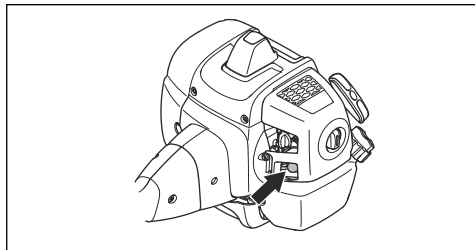


- Examine se a proteção da lâmina está danificada ou se apresenta fissuras. Substitua a proteção da lâmina se esta tiver sido atingida ou se tiver fissuras.
- Examine a cabeça do aparador e a proteção do acessório de corte quanto a danos ou fissuras. Substitua a cabeça do aparador e a proteção do acessório de corte, caso tenham sido atingidos ou se tiverem fissuras.

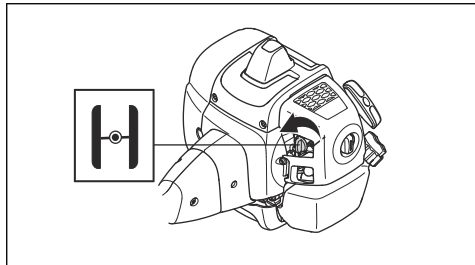


## Arrancar o motor

1. Coloque o produto numa superfície plana e estável. Mantenha o acessório de corte fora do solo.
2. Prima a ampola da purga de ar repetidamente, até o combustível começar a encher a ampola. Não é necessário encher a ampola da purga de ar totalmente.

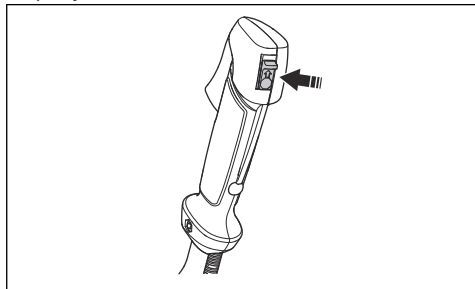


3. Desloque a alavanca do estrangulador para a posição de estrangular.

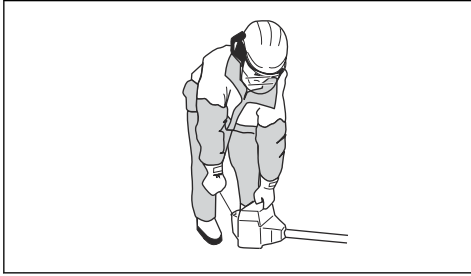


**ATENÇÃO:** O acessório de corte começa imediatamente a rodar quando liga o motor com o estrangulador.

4. Coloque o interruptor de arranque/paragem na posição de FUNCIONAMENTO.



5. Apoie o corpo do produto contra o solo com a mão esquerda.



6. Segure o punho do cabo de arranque com a mão direita.  
7. Puxe lentamente o cabo de arranque com a mão direita até sentir alguma resistência.



**ATENÇÃO:** Não enrole o cabo de arranque na mão.

8. Puxe a corda rapidamente e com força. Puxe o cabo de arranque repetidamente até que o motor arranque.

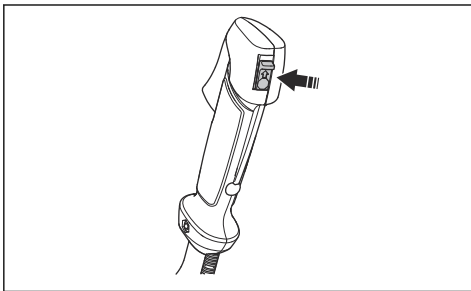


**CUIDADO:** Não puxe totalmente o cabo de arranque nem solte o punho do cabo de arranque se o cabo de arranque estiver totalmente distendido. Caso contrário, pode causar danos no produto.

9. Reponha o estrangulador quando o motor arrancar.  
10. Acione o acelerador gradualmente quando o motor arrancar.  
11. Certifique-se de que o motor funciona suavemente e deixe-o aquecer durante 1 a 2 minutos antes da operação.

## Desligar o produto

- Empurre o interruptor de paragem para parar o motor.



## Arremesso da lâmina

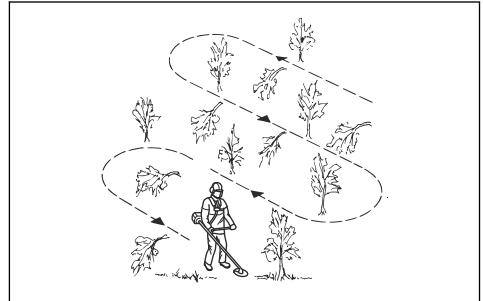
- Um arremesso da lâmina é um movimento súbito do produto para o lado, para a frente ou para trás. O arremesso da lâmina ocorre quando a lâmina de relva atinge um objeto que não pode ser cortado. Nas zonas onde que não é fácil ver o material a cortar, o risco de arremesso da lâmina aumenta.
- Quando ocorre um arremesso da lâmina, existe o risco de o produto ou o operador mudar de posição. Uma lâmina que se desloque pode atingir terceiros e, por isso, existe o risco de causar ferimentos.
- Se uma lâmina estiver dobrada, apresentar fissuras, estiver partida ou danificada, elimine-a.
- Use uma lâmina afiada. O risco de arremesso da lâmina aumenta quando a lâmina não está afiada.

## Instruções gerais de trabalho



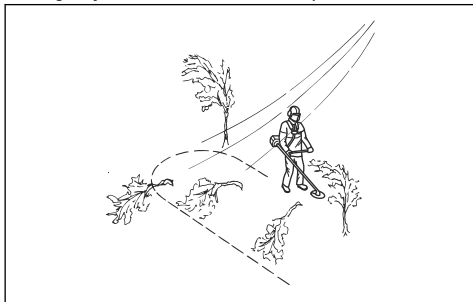
**ATENÇÃO:** Tenha cuidado ao cortar uma árvore que se encontra sob tensão. Pode voltar à sua posição normal antes ou depois do corte e atingi-lo a si ou ao produto, provocando ferimentos.

- Limpe uma área numa das extremidades da área de trabalho e comece o trabalho a partir daí.
- Desloque-se em padrões regulares ao longo da área de trabalho.



- Mova o equipamento totalmente para a esquerda e para a direita para limpar uma área de 4-5 m de cada vez.
- Limpe uma área de 75 m antes de se virar e voltar atrás. Mova o recipiente de combustível juntamente consigo à medida que avança.
- Desloque-se numa direção em que não atravesse mais valas e obstáculos do que o necessário.

- Desloque numa direção em que o vento faça cair a vegetação cortada numa área limpa.



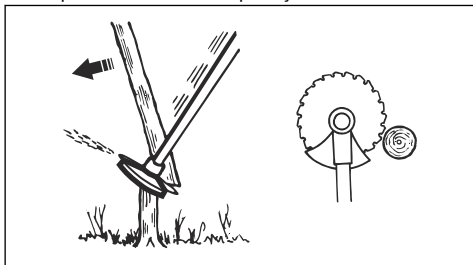
- Mova-se ao longo dos declives e não a subir e a descer.

## Desbaste florestal com uma lâmina de serra

### Para abater uma árvore para a esquerda

Para um derrube à esquerda, empurre a parte inferior da árvore para a direita.

1. Acelere ao máximo.
2. Encoste a lâmina de serra à árvore conforme ilustrado na imagem.
3. Incline a lâmina de serra e empurre-a com força na diagonal, para baixo e para a direita. Em simultâneo, empurre a árvore com a proteção da lâmina.

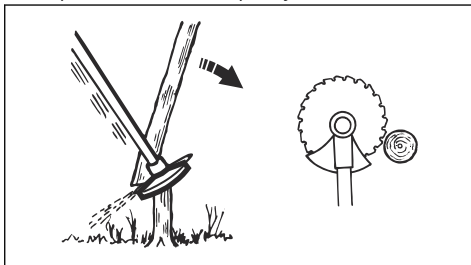


### Para abater uma árvore para a direita

Para abater uma árvore para a direita, empurre a parte inferior da árvore para a esquerda.

1. Acelere ao máximo.
2. Encoste a lâmina de serra à árvore conforme ilustrado na imagem.

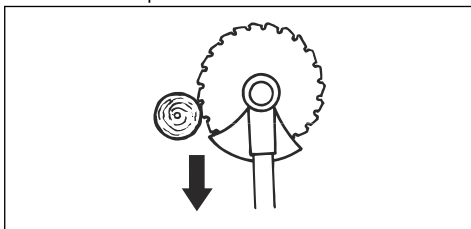
3. Incline a lâmina de serra e empurre-a com força na diagonal, para cima e para a direita. Em simultâneo, empurre a árvore com a proteção da lâmina.



### Para abater uma árvore para a frente

Para abater para a frente, empurre a parte inferior da árvore para trás.

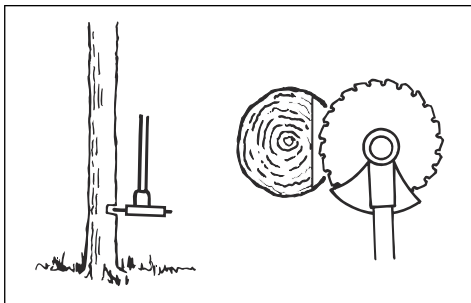
1. Acelere ao máximo.
2. Encoste a lâmina de serra à árvore conforme ilustrado na imagem.
3. Puxe a lâmina de serra para trás com um movimento rápido.



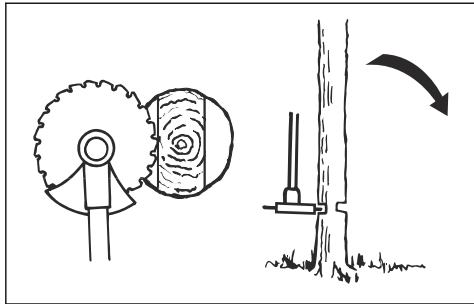
### Para abater árvores grandes

As árvores grossas têm de ser serradas dos 2 lados.

1. Avalie a direção de queda da árvore.
2. Acelere ao máximo.
3. Faça o primeiro corte no lado para o qual a árvore vai cair.



4. Serre o tronco da árvore a partir do lado oposto.



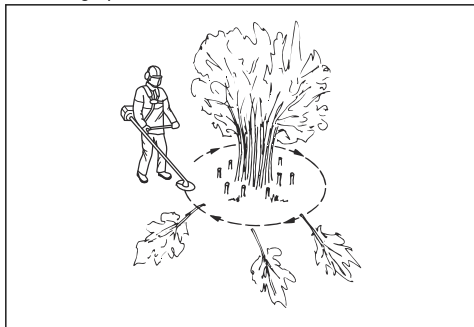
**CUIDADO:** Se a lâmina de serra ficar bloqueada, não puxe o produto com um movimento brusco. Isso pode danificar a lâmina de serra, a engrenagem cônica, o eixo ou a barra de direção. Largue os punhos, segure o eixo com as 2 mãos e puxe cuidadosamente o produto.

**Nota:** Utilize mais a pressão de corte para abater árvores pequenas. Utilize menos pressão de corte para abater árvores grandes.

## Roçar arbustos com a lâmina de serra

Para um derrube à esquerda, empurre a parte inferior da árvore para a direita.

- Corte árvores finas e varras.
- Mova o produto de um lado para o outro.
- Corte muitas árvores num só movimento.
- Para grupos de árvores finas:



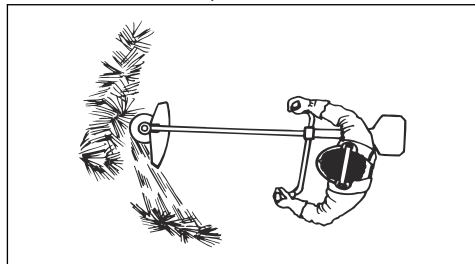
- a) Corte as árvores externas em pontos altos.
- b) Corte as árvores externas à altura correta.
- c) Corte a partir do centro. Se tiver acesso ao centro, corte as árvores externas em pontos altos e deixe-as cair. Isto diminui o risco de a lâmina de serra ficar bloqueada.

## Desbastar relva com a lâmina de relva



**CUIDADO:** Não utilize lâminas de relva nem facas de jardineiro em madeira. Utilize lâminas de relva e facas de jardineiro apenas em relva densa.

- Mova o produto de um lado para o outro.
- Inicie o movimento da direita para a esquerda ao cortar. Mova o produto para a direita antes voltar a cortar.
- Corte com o lado esquerdo da lâmina de relva.

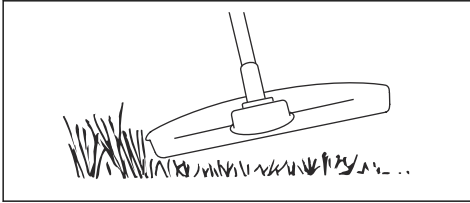


- Incline a lâmina de relva para a esquerda para fazer com que a relva caia em linha. Isto facilita a recolha da relva.
- Mantenha-se numa posição estável com os pés afastados.
- Desloque-se para a frente após cada movimento para a direita e certifique-se de que mantém uma posição estável antes de voltar a cortar.
- Mantenha o copo de apoio com uma ligeira pressão contra o solo para garantir que a lâmina de relva não atinge o solo.
- Respeite estas instruções para diminuir o risco de o material cortado se enredar na lâmina de relva:
  - a) Acelere ao máximo.
  - b) Não mova a lâmina de relva através do material cortado quando movimento o produto da esquerda para a direita.
- Antes de recolher o material cortado, pare o motor e retire o produto da correia. Pouse o produto no solo.

## Corte de relva com um cabeçote de recorte

### Aparar a relva

1. Mantenha a cabeça do aparador um pouco acima do solo a um determinado ângulo. Não empurre a linha do aparador para a relva.



2. Reduza o comprimento da linha do aparador em 10-12 cm/4-4,75 pol.
3. Reduza a velocidade do motor para diminuir o risco de danos nas plantas.
4. Utilize 80% da aceleração quando cortar relva perto de objetos.



### Limpar relva

1. Mantenha a cabeça do aparador acima do solo.
2. Incline a cabeça do aparador.
3. Corte com a extremidade da linha do aparador ao redor de objetos na área de trabalho.

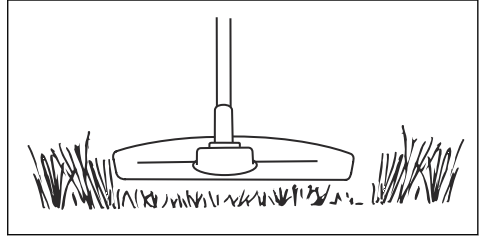


**CUIDADO:** Corte relva. Outros objetos que sejam atingidos pela linha do aparador aumentam o desgaste da linha do aparador.

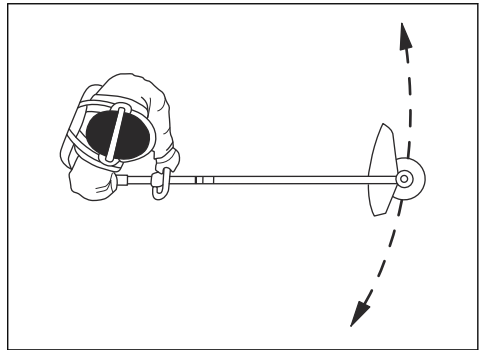
4. Utilize 80% da velocidade para cortar e limpar vegetação. Desta forma, diminui o desgaste da cabeça do aparador e da linha do aparador.

## Cortar a relva

1. Certifique-se de que a linha do aparador está paralela ao solo quando cortar.



2. Não empurre a cabeça do aparador para o solo. Caso contrário, pode causar danos no produto.
3. Desloque o produto de um lado para o outro quando cortar relva. Use a rotação máxima.



### Para aparar a relva

O fluxo de ar da linha do aparador a girar pode ser utilizado para remover a relva cortada de uma área.

1. Mantenha a cabeça e a linha do aparador paralelas ao solo e acima do mesmo.
2. Acelere ao máximo.
3. Mova a cabeça do aparador de um lado para o outro e apare a relva.



**ATENÇÃO:** Limpe a cobertura da cabeça do aparador sempre que instalar uma nova linha do aparador para evitar desequilíbrios e vibrações nos punhos. Efetue também uma verificação das outras peças da cabeça do aparador e limpe-as, se necessário.

# Manutenção

## Introdução

antes de realizar tarefas de manutenção no produto.



**ATENÇÃO:** Certifique-se de que leu e compreendeu o capítulo sobre segurança

## Esquema de manutenção

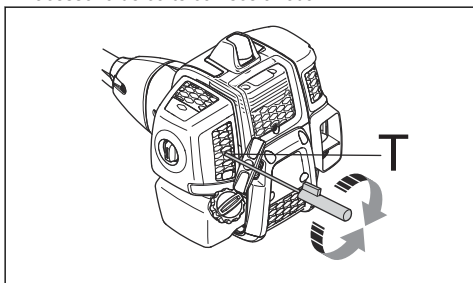
Manutenção	Diariamente	Semanalmente	Mensalmente
Limpe a superfície externa.	X		
Verifique se a correia apresenta sinais de danos.	X		
Verifique o bloqueio do acelerador e o acelerador. Consulte <i>Verificar o bloqueio do acelerador na página 271.</i>	X		
Examine o punho e a barra de direção quanto à existência de danos e certifique-se de que estão ligados corretamente.	X		
Verifique o interruptor de paragem. Consulte <i>Verificar o interruptor de paragem na página 272.</i>	X		
Verifique se o acessório de corte não gira ao ralenti.	X		
Limpe o filtro de ar. Se estiver danificado, substitua-o.	X		
Examine a proteção do acessório de corte quanto a danos e fissuras.	X		
Certifique-se de que a lâmina de serra ou a lâmina de relva está corretamente montada. Certifique-se de que a lâmina de serra ou a lâmina de relva está afiada e não está danificada.	X		
Examine a cabeça do aparador quanto a danos e fissuras. Se estiver danificado, substitua-o.	X		
Aperte totalmente a porca de fixação para acessórios de corte com uma porca de fixação.	X		
Examine a proteção para transporte quanto à existência de danos e certifique-se de que pode ser fixada corretamente.	X		
Aperte as porcas e os parafusos.	X		
Examine o motor, o depósito de combustível e os tubos de combustível quanto a fugas.	X		
Verifique o dispositivo de arranque e a corda de arranque quanto a danos.		X	
Examine a vela de ignição. Consulte <i>Examinar a vela de ignição na página 289.</i> Se for necessário, substitua a vela de ignição. Certifique-se de que a vela de ignição está equipada com um supressor.		X	
Limpe a superfície exterior do carburador e a área circundante.		X	
Certifique-se de que a engrenagem cônica está corretamente cheia de massa lubrificante. Consulte <i>Engrenagem cônica na página 289.</i>		X	
Verifique o filtro de combustível quanto à existência de contaminação e a mangueira de combustível quanto a fissuras e outros defeitos. Substitua, se necessário.			X

Manutenção	Diariamente	Semanalmente	Mensalmente
Examine todos os cabos e ligações.			X
Substitua a vela de ignição. Certifique-se de que a vela de ignição está equipada com um supressor.			X

## Ajustar o ralenti

A agulha de alta rotação e a agulha de baixa rotação estão permanentemente definidas e não podem ser ajustadas. O ralenti é a única função que pode ser ajustada.

1. Ligue o motor e certifique-se de que este está quente antes de começar a ajustar o ralenti.
2. Rode o parafuso do ralenti para a direita até que o acessório de corte comece a rodar.



3. Rode o parafuso do ralenti para a esquerda até que o acessório de corte pare.
4. O ralenti tem de ser inferior à velocidade quando o equipamento de corte começar a rodar. O ralenti está correto se o motor funcionar suavemente em todas as posições.

## Efetuar a manutenção do silenciador

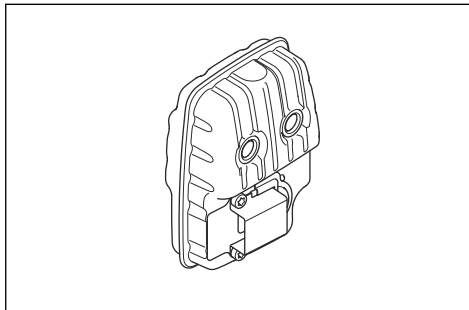
O silenciador reduz o nível de ruído e afasta os gases de escape do operador.



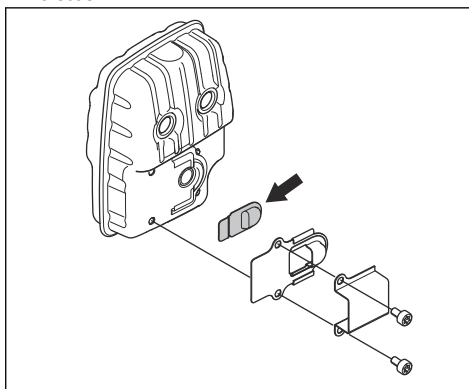
**ATENÇÃO:** Os silenciadores que têm catalisadores aquecem muito durante o funcionamento e permanecem quentes durante algum tempo após parar o produto. Isto também se verifica na marcha em vazio. O contacto com o produto pode causar queimaduras na pele. Lembre-se do risco de incêndio.

1. Pare o produto e deixe-o arrefecer.

2. Retire o silenciador.



3. Retire os parafusos que fixam a rede retentora de faíscas.



4. Limpe a rede retentora de faíscas se estiver bloqueada, ou substitua-a caso esteja danificada.



**CUIDADO:** A rede retentora de faíscas tem de ser substituída se estiver danificada. Não utilize o produto se o silenciador não tiver uma rede retentora de faíscas ou se esta estiver defeituosa.



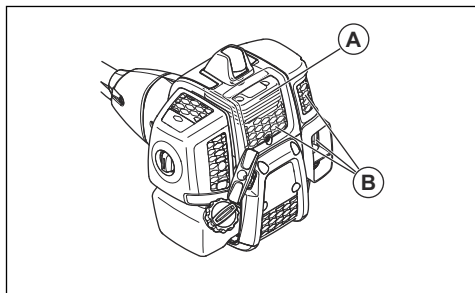
**CUIDADO:** Se a rede retentora de faíscas estiver frequentemente obstruída, pode ser indício de que o desempenho do catalisador está reduzido. Contacte o seu revendedor com assistência técnica para examinar o silenciador. Uma rede retentora de faíscas obstruída provoca



sobreaquecimento, danificando o cilindro e o pistão.

## Limpar/efetuar a manutenção no sistema de arrefecimento

Este produto possui um sistema de arrefecimento. Se o sistema de arrefecimento estiver sujo ou obstruído, tal pode sobreaquecer o produto, o que pode danificar o pistão e o cilindro. Verifique e limpe o sistema de arrefecimento com uma escova uma vez por semana, ou com mais frequência em condições de trabalho intensas. O sistema de arrefecimento tem aletas de arrefecimento no cilindro (A) e na admissão de ar (B).



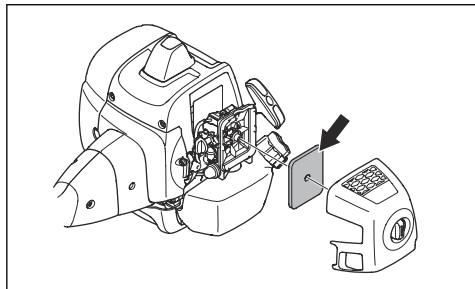
## Filtro de ar

Um filtro de ar sujo pode provocar o mau funcionamento do carburador, problemas de arranque, perda de potência do motor e desgaste das peças do motor. Também faz com que o motor consuma mais combustível do que o necessário. Limpe o filtro em intervalos de 8 horas, ou mais frequentemente se o produto for utilizado num ambiente poeirento.

**Nota:** Pode ser necessário ajustar o motor após a limpeza ou substituição do filtro de ar. Consulte o capítulo *Ajustar o ralenti na página 288*.

## Limpar e examinar o filtro de ar

1. Retire o filtro de ar.



2. Limpe o filtro de ar de feltro com ar comprimido.

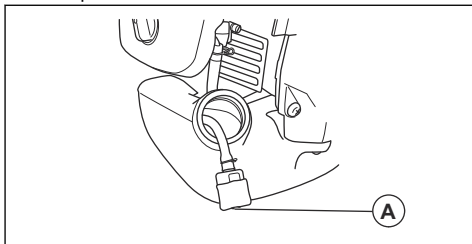


**CUIDADO:** Substitua o filtro de ar de feltro se este não puder ser totalmente limpo. Substitua sempre um filtro de ar de feltro danificado.

3. Limpe a superfície interior da cobertura do filtro de ar. Utilize ar comprimido ou uma escova.

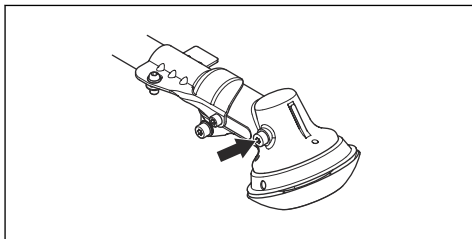
## Filtro de combustível

Se a alimentação de combustível ao motor falhar, certifique-se de que o orifício de ar na tampa do depósito de combustível e o filtro de combustível (A) estão limpos.



## Engrenagem cônica

A engrenagem cônica é lubrificada de fábrica com a quantidade de massa lubrificante adequada. Mas, antes de utilizar o produto, certifique-se de que a engrenagem cônica apresenta 3/4 do volume total de massa lubrificante. Utilize massa lubrificante especial McCulloch.



Não é necessário substituir a massa lubrificante na engrenagem cônica, a menos que a engrenagem cônica seja reparada.

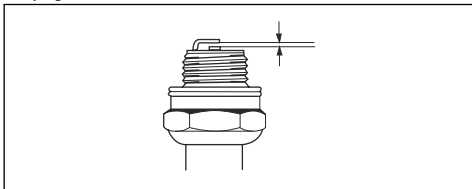
## Examinar a vela de ignição



**CUIDADO:** utilize sempre o tipo de vela de ignição recomendado. Um tipo de vela de ignição incorreto pode provocar danos no produto.

- Examine a vela de ignição para verificar se o motor apresenta uma potência reduzida ou dificuldades de arranque, ou se não funciona corretamente ao ralenti.
- Para diminuir o risco de materiais indesejados nos elétrodos da vela de ignição, siga estas instruções:

- a) Assegure-se de que a rotação em vazio está corretamente regulada.
- b) Certifique-se de que a mistura de combustível está correta.
- c) Certifique-se de que o filtro de ar está limpo.
- Se a vela de ignição estiver suja, limpe-a e certifique-se de que a distância entre os eletrodos está correta; consulte *Especificações técnicas na página 290*.
- Se for necessário, substitua a vela de ignição.



## Especificações técnicas

	B40 B Elite	B40 BT Elite
<b>Motor</b>		
Cilindrada, cm <sup>3</sup>	40,1	40,1
Diâmetro do cilindro, Ø mm	40,5	40,5
Comprimento de curso do cilindro, mm	31,1	31,1
Velocidade ao ralenti, rpm	3000	3000
Rotação em aceleração máxima recomendada, r/min	12000	12000
Velocidade do eixo de saída, rpm	8220	8220
Potência máx. do motor, de acordo com a norma ISO 8893, kW @ rpm	1,5 a 9000	1,5 a 9000
<b>Sistema de ignição</b>		
Vela de ignição	NGK CMR7H-10	NGK CMR7H-10
Distância entre os eletrodos, mm	0,9-1,0	0,9-1,0
<b>Sistema de lubrificação e combustível</b>		
Fabricante/tipo de carburador	Ruixing H225D-	Ruixing H225D-
Capacidade do depósito de combustível, l/cm <sup>3</sup>	1/1000	1/1000
<b>Peso</b>		
Sem combustível, acessório de corte e proteção, kg	7,3	7,4
<b>Emissões de ruído<sup>31</sup></b>		

<sup>31</sup> Emissões de ruído para as imediações, medidas sob forma de potência sonora ( $L_{WA}$ ) em conformidade com a diretiva da CE 2000/14/CE. O nível de potência sonora registado para a máquina foi medido com o equipamento de corte original que debita o nível mais alto. A diferença entre a potência sonora garantida e medida é que a potência sonora garantida inclui também a dispersão no resultado da medição e as variações entre diferentes máquinas do mesmo modelo, de acordo com a diretiva 2000/14/CE.

	<b>B40 B Elite</b>	<b>B40 BT Elite</b>
Nível de potência sonora, dB(A) medidos	112	112
Nível de potência sonora, garantido $L_{WA}$ dB(A)	118	118
<b>Níveis acústicos<sup>32</sup></b>		
Nível de pressão sonora equivalente, ao nível do ouvido do utilizador, medido de acordo com as normas EN ISO 11806 e ISO 22868, dB (A), mín/máx.		
Equipado com cabeçote de recorte (original)	100	100
Equipado com lâmina de relva (original)	99	99
Equipado com lâmina de serra (original)	–	99
<b>Níveis de vibração<sup>33</sup></b>		
Níveis de vibração equivalentes ( $a_{nv,eq}$ ) nos punhos, medidos de acordo com as normas EN ISO 11806 e ISO 22867, $m/s^2$		
Equipado com cabeçote de recorte (original), esquerda/direita	3,4/4,4	3,4/4,4
Equipado com lâmina de relva (original), esquerda/direita	5,2/5,1	5,2/5,1
Equipado com lâmina de serra (original), esquerda/direita	–	4,5/4,2

<b>B40 B Elite, B40 BT Elite</b>		
<b>Acessórios aprovados</b>	<b>Tipo</b>	<b>Protecção para equipamento de corte, Art. nº</b>
Orifício central nas lâminas Ø 25,4 mm		
Passo de rosca do veio da lâmina M12		
Lâmina de relva/cortadora de relva	Lâmina de relva 255-4 1" (Ø 255, 4 dentes)	580 30 50-01
	Lâmina de relva 255-3 (Ø 255 3 dentes)	580 30 50-01
Lâmina de serra	Lâmina de serra 200-22 (Ø 200, 22 dentes)	581 33 84-01
Cabeça do aparador	P35	580 30 50-01
Copo de apoio	Fixo	–

<sup>32</sup> Os dados comunicados relativamente ao nível de pressão sonora equivalente têm uma dispersão estatística típica (desvio padrão) de 1 dB (A).

<sup>33</sup> Os dados comunicados relativamente ao nível de vibração têm uma dispersão estatística típica (desvio padrão) de 1  $m/s^2$ .

---

## Declaração CE de conformidade

---

### Declaração CE de conformidade

**Husqvarna AB**, SE-561 82 Huskvarna, Suécia, tel: +46-36-146500, declara que o aparador **McCulloch B40 B Elite** com números de série de 2021 e posteriores (o ano é claramente indicado na etiqueta de tipo, seguido do número de série), cumpre as disposições constantes na DIRETIVA DO CONSELHO:

- de 17 de maio de 2006 "referente a máquinas" **2006/42/CE**
- de 26 de fevereiro de 2014, "referente à compatibilidade eletromagnética", **2014/30/UE**
- de 8 de maio de 2000, "referente a emissões de ruído para o ambiente" **2000/14/CE**. Avaliação de conformidade efetuada de acordo com as disposições do Anexo V. Para informações referentes às emissões sonoras, ver o capítulo Especificações técnicas.
- de 8 de junho de 2011 "relativa à restrição do uso de determinadas substâncias perigosas em equipamento elétrico e eletrônico" **2011/65/UE**.

Foram respeitadas as seguintes normas:

**EN ISO 12100:2010, CISPR 12:2007+A1:2009, EN ISO 14982:2009, EN ISO 11806-1:2011, EN IEC 63000:2018**

A RISE SMP Svensk Maskinprovning AB, Box 7035, SE-750 07 Uppsala, Sweden realizou o exame de tipo voluntário em nome da Husqvarna AB. Os certificados têm os números: **SEC/12/2339** - B40 B Elite, B40 BT Elite

A RISE SMP Svensk Maskinprovning AB verificou também a conformidade com o anexo V da diretiva do conselho 2000/14/CE.

Huskvarna, 2020-08-25



Pär Martinsson, Chefe de Desenvolvimento  
(representante autorizado da Husqvarna AB e responsável pela documentação técnica)

---

## Содержание

---

Введение.....	293	Техническое обслуживание.....	315
Безопасность.....	296	Технические данные.....	318
Сборка.....	305	Декларация соответствия ЕС.....	321
Эксплуатация.....	308	.....	0

---

## Введение

---

### Описание изделия

Данное изделие представляет собой кусторез с двигателем внутреннего сгорания.

Мы постоянно совершенствуем свою продукцию с целью повысить вашу безопасность и эффективность во время работы. Для получения более подробной информации обратитесь к своему дилеру по обслуживанию.

### Назначение

Изделие предназначено для использования с режущим диском, лезвием для травы или головкой триммера для скашивания различных типов растительности. Изделие разрешается использовать

только для расчистки леса, кошения травы и триммерной стрижки травы. Для срезания кустарников и тонких деревьев используйте режущий диск. Для стрижки травы используйте лезвие для травы или головку триммера.

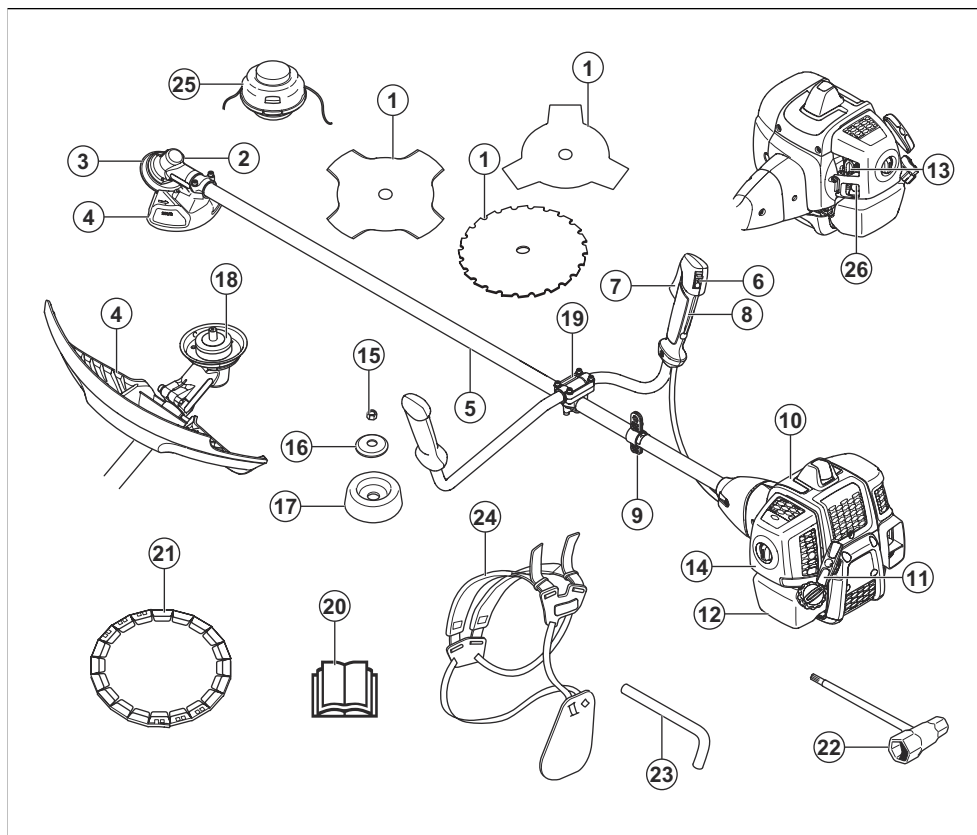
---

**Примечание:** Эксплуатация данного изделия может регулироваться государственными или региональными нормативными требованиями. Соблюдайте действующие требования.

---

Используйте с этим инструментом только одобренные производителем принадлежности. См. раздел *Технические данные на стр. 318*.

## Обзор изделия



1. Нож (не для всех рынков)
2. Колпачок отверстия для заправки консистентной смазки, зубчатая передача
3. Зубчатая передача
4. Щиток режущего оборудования
5. Штанга
6. Выключатель
7. Дроссельный регулятор
8. Стопор рычага дросселя
9. Петля для подвешивания
10. Крышка цилиндра
11. Ручка стартера
12. Топливный бак
13. Рычажок заслонки
14. Крышка воздушного фильтра
15. Контргайка
16. Опорный фланец
17. Опорная чашка

18. Ведущий диск
19. Фиксатор рукоятки
20. Руководство по эксплуатации
21. Транспортировочная защита (не для всех рынков)
22. Торцевой ключ
23. Стопорный штифт (для изделий без шестигранного ключа)
24. Оснастка
25. Головка триммера
26. Груша нагнетателя

### Условные обозначения на изделии



**ПРЕДУПРЕЖДЕНИЕ!** Данное изделие является опасным инструментом. Небрежная или неправильная эксплуатация может привести к травме или смерти оператора или посторонних наблюдателей. Во избежание травм

оператора или посторонних наблюдателей прочитайте и соблюдайте все инструкции по безопасности, приведенные в руководстве по эксплуатации.



Перед началом работы внимательно прочитайте руководство по эксплуатации и убедитесь, что понимаете приведенные в нем инструкции.



Используйте защитный шлем в тех местах, где существует вероятность падения предметов. Используйте одобренные средства защиты органов слуха. Используйте одобренные средства защиты глаз.



Используйте проверенные защитные перчатки.



Надевайте прочные нескользкие ботинки.



Изделие может отбрасывать предметы, что может стать причиной травмы.



Максимальная частота вращения выходного вала.



Посторонние лица и животные должны находиться на расстоянии не менее 15 м/50 футов от работающего инструмента.



Риск отскакивания ножа, если режущее оборудование касается предмета, который не разрезается мгновенно. При работе с изделием существует риск пореза частей тела. Посторонние лица и животные должны находиться на расстоянии не менее 15 м/50 футов от работающего инструмента.



Используйте только гибкую режущую леску. Не используйте металлические режущие элементы. Касается принадлежностей для стрижки травы.



Стрелками обозначены крайние положения рукоятки.



Груша нагнетателя.



Залейте топливо.



Воздушная заслонка.



Эмиссия шума в окружающую среду согласно Директиве Европейского союза 2000/14/ЕС и законодательству Нового Южного Уэльса "Регламент 2017 года по защите окружающей среды (контроль уровня шума)". Данные об эмиссии шума приведены на паспортной табличке изделия и в разделе *Технические данные на стр. 318*.



Изделие соответствует действующим директивам ЕС.

yyyywwxxxx

На паспортной табличке или лазерной гравировке указан серийный номер. **yyyy** означает год производства, **ww** — производственную неделю.

**Примечание:** Остальные символы/наклейки на изделии отвечают требованиям, предъявляемым к сертификации в других коммерческих зонах.

## Ответственность изготовителя

В соответствии с законами об ответственности изготовителя мы не несем ответственности за ущерб, вызванный эксплуатацией нашего изделия в результате:

- ненадлежащего ремонта изделия;
- использования для ремонта изделия неоригинальных деталей или деталей, не одобренных производителем;
- использования неоригинальных дополнительных принадлежностей или принадлежностей, не одобренных производителем;
- ремонта изделия в неавторизованном сервисном центре или неквалифицированным специалистом;

## Соответствие уровня токсичных выбросов стандарту Euro V

данное изделие перестанет соответствовать нормативам ЕС.



**ПРЕДУПРЕЖДЕНИЕ:** В случае вмешательства в работу двигателя

## Безопасность

### Инструкции по технике безопасности

Ниже приведены определения уровня опасности для каждого сигнального слова.



**ПРЕДУПРЕЖДЕНИЕ:**  
Травмирование человека.



**ВНИМАНИЕ:** Повреждение изделия.

**Примечание:** Эта информация поможет упростить эксплуатацию изделия.

### Общие инструкции по технике безопасности



**ПРЕДУПРЕЖДЕНИЕ:** В обязательном порядке прочитайте следующие инструкции по технике безопасности, прежде чем приступить к эксплуатации изделия.

- Во время работы данное изделие создает электромагнитное поле. В определенных обстоятельствах это поле может создавать помехи для пассивных и активных медицинских имплантатов. В целях снижения риска серьезной или смертельной травмы лицам с медицинскими имплантатами рекомендуется проконсультироваться с врачом и изготовителем имплантата, прежде чем приступить к эксплуатации данного изделия.
- Ни в коем случае не используйте изделие, если вы устали, больны или находитесь под воздействием спиртного, наркотических веществ или лекарственных препаратов. Это может повлиять на ваше зрение, реакцию, координацию или оценку действительности.
- Не эксплуатируйте изделие в плохих погодных условиях, таких как густой туман, сильный дождь, порывистый ветер или сильный холод. Эксплуатация изделия в плохую погоду сильно утомляет и вызывает дополнительный риск, например, от скользкого грунта или непредсказуемого направления падения дерева.

- Всегда соблюдайте осторожность и руководствуйтесь здравым смыслом. Если после изучения руководства по эксплуатации у вас возникли вопросы относительно эксплуатации изделия и условий работы, прежде чем приступить к работе, обратитесь за консультацией к специалисту по обслуживанию.
- Снимите колпачок свечи зажигания, если вы оставляете изделие без присмотра.

### Инструкции по технике безопасности во время сборки



**ПРЕДУПРЕЖДЕНИЕ:** В обязательном порядке прочитайте следующие инструкции по технике безопасности, прежде чем приступить к эксплуатации изделия.

- При сборке изделия и установке режущего оборудования всегда надевайте защитные перчатки.
- Перед сборкой изделия снимите со свечи зажигания колпачок свечи зажигания.
- Перед началом работы с изделием убедитесь, что рукоятка и щиток режущего оборудования установлены правильно.
- Неисправный или неподходящий щиток может стать причиной травмы. Запрещается использовать режущее оборудование без одобренного щитка режущего оборудования.
- Перед запуском изделия правильно установите крышку сцепления и вал.
- Ведущий диск и опорный фланец должны правильно входить в центральное отверстие режущего оборудования. Неправильная установка режущего оборудования может привести к травме или смерти.
- Закрепите оснастку на изделии, чтобы предотвратить травмы оператора или других людей.

### Инструкции по технике безопасности во время эксплуатации



**ПРЕДУПРЕЖДЕНИЕ:** В обязательном порядке прочитайте следующие инструкции по технике



безопасности, прежде чем приступить к эксплуатации изделия.

- Перед началом работы с изделием вы должны понять разницу между расчисткой леса, кошением травы и триммерной стрижкой.
- Пользуйтесь средствами индивидуальной защиты, см. раздел *Средства индивидуальной защиты на стр. 298*.
- Продолжительное воздействие шума может повлечь за собой неизлечимую потерю слуха. Всегда пользуйтесь защитными наушниками.
- При использовании защитных наушников обращайте внимание на предупреждающие сигналы и громкие голоса. Всегда снимайте наушники после остановки двигателя.
- Запрещается использовать изделие, если оно повреждено или в его конструкцию были внесены изменения.
- Убедитесь, что колпачок свечи зажигания и провод зажигания не повреждены, чтобы избежать риска поражения электрическим током.
- Осмотрите рабочую зону и убедитесь, что в ней отсутствуют посторонние лица, животные или предметы, которые могут отрицательно повлиять на безопасность работы изделия.
- Осмотрите рабочую зону и убедитесь, что исключен контакт посторонних лиц или животных с режущим оборудованием или предметами, отбрасываемыми режущим оборудованием.
- Не используйте изделие в тех местах или ситуациях, когда вы не можете получить помощь при возникновении несчастного случая.
- Запрещается использовать изделие без одобренного щитка режущего оборудования.
- Убедитесь, что посторонние лица и животные находятся на расстоянии не менее 15 м/50 футов от работающего изделия. Перед поворотом вместе с изделием всегда смотрите назад. Незамедлительно останавливайте работу изделия, если посторонний человек или животное вошли в 15-метровую/50-футовую зону безопасности. Если на одном участке одновременно работают несколько операторов, минимальное безопасное расстояние между ними должно составлять 15 м/50 футов или равняться двойной высоте дерева.
- Проверьте рабочую зону. Уберите все свободно лежащие предметы, например камни, разбитое стекло, гвозди, стальную проволоку и веревки, которые может отбросить или намотать на режущее оборудование.
- Убедитесь, что вы можете безопасно перемещаться и работать в безопасном устойчивом положении. Проверьте, нет ли вокруг вас помех и препятствий, например, корней,

каменной, веток и ям. Соблюдайте осторожность во время работы на склонах.



- Не вытягивайте руки с агрегатом слишком далеко. Всегда занимайте устойчивое положение и сохраняйте равновесие.
- Перед запуском изделия разместите его на плоской поверхности, минимум в 3 м/10 футов от источника топлива и места заправки топливом. Убедитесь, что посторонние предметы не находятся рядом с режущим оборудованием и не касаются его.
- Если режущее оборудование вращается при работе на холостых оборотах, обратитесь в сервисный центр для его регулировки. Запрещается пользоваться изделием, пока не будет выполнена его регулировка или ремонт.
- Берегитесь отбрасываемых предметов. Всегда пользуйтесь одобренными средствами защиты глаз; ни одна часть тела не должна находиться рядом с щитком режущего оборудования. Отбрасываемые изделием камни и другие мелкие предметы могут попасть в глаза, что может привести к слепоте или другим травмам.
- Не следует опускать изделие на землю при работающем двигателе, за исключением случаев, когда его хорошо видно.
- Ни оператор, ни другие лица не должны пытаться убирать в сторону срезанный материал при работающем двигателе или вращающемся режущем оборудовании, т.к. это может привести к серьезным травмам.
- Каждый раз перед удалением срезанного материала, намотавшегося вокруг вала диска или застрявшего в пространстве между щитком режущего оборудования и режущим оборудованием, в обязательном порядке остановите двигатель и убедитесь, что режущее оборудование не вращается.
- Соблюдайте осторожность при удалении намотавшегося вокруг режущего оборудования материала. Зубчатая передача нагревается во время работы и может стать причиной ожогов.
- Выхлопные газы двигателя имеют высокую температуру и могут содержать искры. Риск пожара. Соблюдайте осторожность при работе

вблизи легковоспламеняющихся и сухих химических материалов.

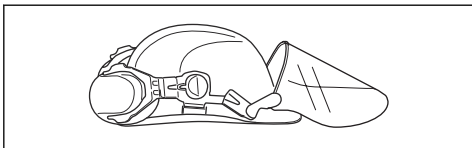
- Ни при каких обстоятельствах не используйте изделие в помещении или в местах без надлежащей вентиляции. Выхлопные газы содержат окись углерода — не имеющий запаха, токсичный и чрезвычайно опасный газ.
- Перед перемещением в другую рабочую зону останавливайте двигатель. Перед перемещением оборудования всегда устанавливайте транспортировочный щиток.
- Длительное воздействие вибрации может привести к нарушению кровообращения или расстройствам нервной системы у людей с нарушенным кровообращением. В случае появления симптомов перегрузки от вибрации следует обратиться к врачу. К таким симптомам относятся онемение, потеря чувствительности, ощущение щекотки и покалывания, боли, потеря силы или слабость, изменение цвета или состояния кожи. Как правило, подобные симптомы проявляются на пальцах, руках или запястьях. При низкой температуре риск увеличивается.

## Средства индивидуальной защиты

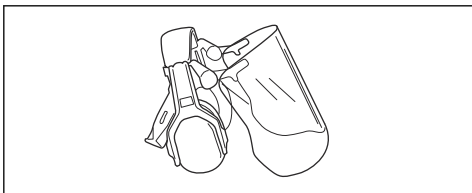


**ПРЕДУПРЕЖДЕНИЕ:** В обязательном порядке прочитайте следующие инструкции по технике безопасности, прежде чем приступать к эксплуатации изделия.

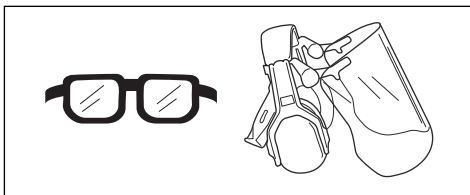
- Каждый раз при работе с изделием следует использовать одобренные средства индивидуальной защиты. Средства индивидуальной защиты не могут полностью исключить риск получения травмы, но при несчастном случае они снижают тяжесть травмы. Обратитесь к дилеру за помощью в подборе надлежащих средств защиты.
- Используйте шлем, если деревья в рабочей зоне имеют высоту более 2 м/6,5 фута.



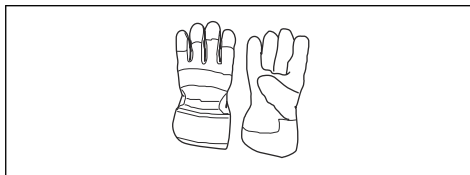
- Всегда пользуйтесь защитными наушниками.



- Пользуйтесь проверенными средствами защиты глаз. При использовании защитной маски следует пользоваться также одобренными защитными очками. Под одобренными защитными очками подразумеваются очки, отвечающие требованиям стандарта ANSI Z87.1 для США или EN 166 для стран ЕС.



- При необходимости надевайте перчатки, например, при закреплении, проверке или очистке режущего оборудования.



- Надевайте защитные ботинки со стальным носком и нескользкой подошвой.



- Надевайте одежду из прочного материала. Всегда надевайте длинные прочные брюки и верхнюю одежду с длинными рукавами. Запрещается надевать свободную одежду, которая может зацепиться за ветви или кустарник. Не надевайте ювелирные украшения, короткие брюки или сандалии. Не ходите босиком. Зафиксируйте волосы выше уровня плеч.
- Средства оказания первой помощи всегда должны быть под рукой.



## Защитные устройства на изделии

Информацию о расположении защитных устройств см. в разделе *Щиток режущего оборудования на стр. 300.*



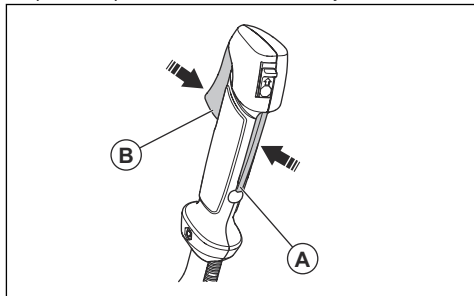
**ПРЕДУПРЕЖДЕНИЕ:** В обязательном порядке прочитайте следующие инструкции по технике безопасности, прежде чем приступить к эксплуатации изделия.

- Запрещается использовать изделие с неисправными защитными устройствами. Регулярно выполняйте проверку и техническое обслуживание защитных устройств. Если защитные устройства неисправны, обратитесь в сервисный центр McCulloch.
- Не вносите никаких изменений в защитные устройства. Запрещается использовать изделие с поврежденными или отсутствующими защитными крышками, защитными переключателями и прочими защитными устройствами.
- Для выполнения любых работ по сервисному обслуживанию и ремонту компонентов изделия, особенно защитных устройств, необходимо пройти специальное обучение. При обнаружении на защитных устройствах любых из описанных в руководстве по эксплуатации неисправностей обратитесь за помощью в сервисный центр. Мы гарантируем доступность услуг по профессиональному ремонту и сервисному обслуживанию. Если ваш дилер не занимается сервисным обслуживанием, обратитесь к нему для получения информации о ближайшем сервисном центре.
- Запрещается использовать режущее оборудование без одобренного и правильно установленного щитка режущего оборудования. См. раздел *Технические данные на стр. 318.*

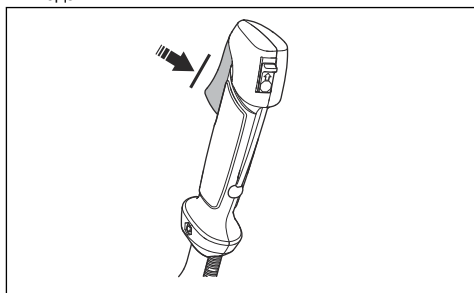
### Проверка стопора дроссельного регулятора

Стопор рычага дросселя позволяет избежать случайного включения рычага дросселя.

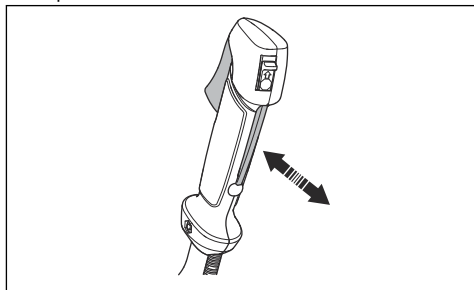
1. Нажмите на стопор рычага дросселя (А) и убедитесь, что рычаг дросселя при этом разблокируется (В). Когда вы отпускаете рукоятку, рычаг дросселя и стопор рычага дросселя возвращаются в первоначальное положение. Эти перемещения контролируются двумя возвратными пружинами. Такое устройство обеспечивает автоматическую блокировку рычага дросселя на холостом ходу.



2. Убедитесь, что при отпускании стопора рычага дросселя блокируется в положении холостого хода.

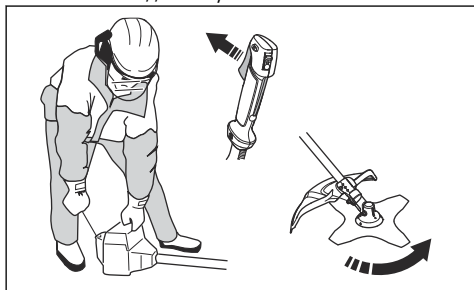


3. Нажмите на стопор рычага дросселя и убедитесь, что при отпускании он возвращается в первоначальное положение.



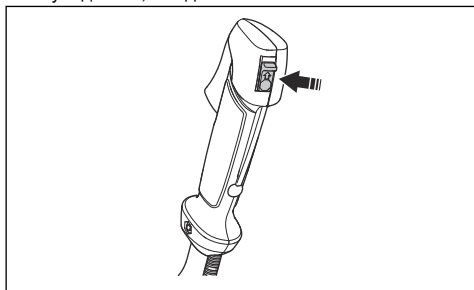
4. Проверьте плавность работы рычага дросселя и его стопора, а также исправность возвратных пружин.
5. Запустите изделие (см. инструкции в разделе *Запуск и остановка на стр. 310*) и полностью откройте дроссель.

6. Отпустите рычаг дросселя и убедитесь, что режущее оборудование останавливается и остается неподвижным. Отрегулируйте карбюратор, если режущее оборудование вращается, когда дроссельная заслонка находится в положении холостого хода. См. инструкции в разделе *Регулировка оборотов холостого хода* на стр. 316.



### Проверка выключателя

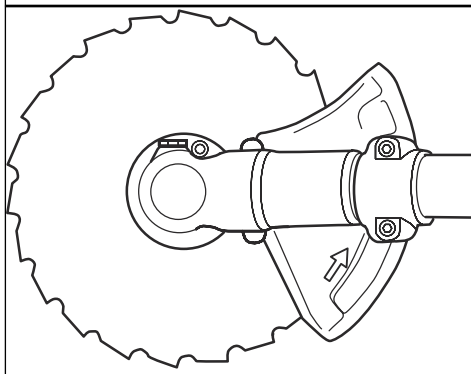
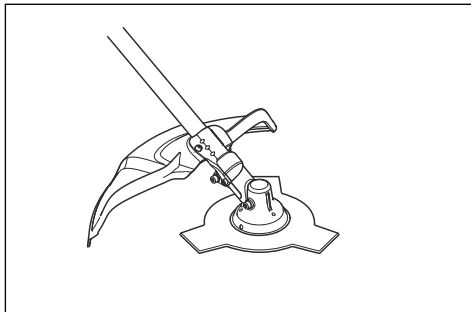
1. Запустите двигатель.
2. Переместите выключатель в положение останова и убедитесь, что двигатель останавливается.



### Щиток режущего оборудования

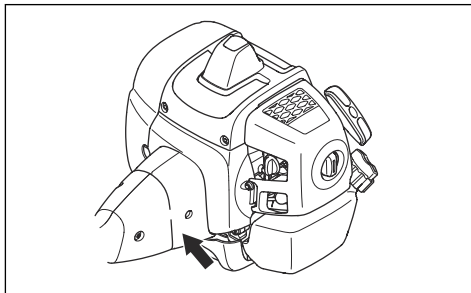
Щиток режущего оборудования предотвращает выброс предметов в сторону оператора. Проверьте щиток режущего оборудования на наличие повреждений и замените его, если он поврежден.

Используйте для режущего оборудования только одобренный щиток.



### Проверка системы гашения вибраций

Система гашения вибрации снижает уровень вибрации на ручках до минимума, что упрощает работу.



1. Остановите двигатель.
2. Осмотрите на наличие деформаций и повреждений, например, трещин.
3. Убедитесь, что элементы системы гашения вибрации правильно закреплены.

## Проверка устройства быстрого расцепления

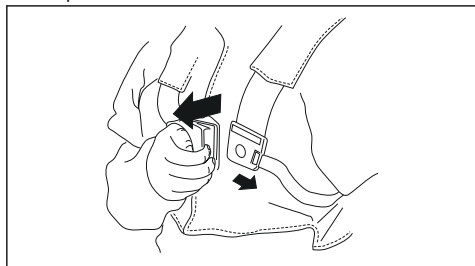


### ПРЕДУПРЕЖДЕНИЕ:

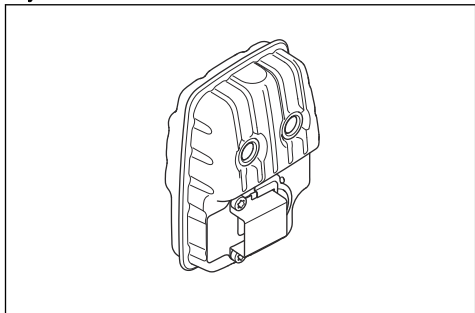
Запрещается использовать оснастку со сломанным устройством быстрого расцепления.

Устройство быстрого расцепления позволяет оператору быстро снять изделие с оснастки в случае возникновения аварийной ситуации.

1. Остановите двигатель.
2. Осмотрите на наличие повреждений, например трещин.
3. Отсоедините и подсоедините устройство быстрого расцепления, чтобы проверить его исправность.



## Глушитель



- Запрещается использовать двигатель с поврежденным глушителем. Поврежденный глушитель повышает уровень шума и риск пожара. Держите огнетушитель в пределах досягаемости.
- Периодически проверяйте надежность крепления глушителя к корпусу изделия.
- Не прикасайтесь к двигателю или глушителю во время работы двигателя. Не прикасайтесь к двигателю или глушителю в течение некоторого времени после выключения двигателя. Горячие поверхности могут стать причиной травм.
- Горячий глушитель может стать причиной пожара. Соблюдайте осторожность при

использовании изделия вблизи легковоспламеняющихся жидкостей или газов.

- Не прикасайтесь к деталям глушителя, если он поврежден. На деталях могут находиться канцерогенные химические вещества.
- Если устройство имеет искрогаситель, регулярно производите его очистку.

## Установка и снятие контргайки

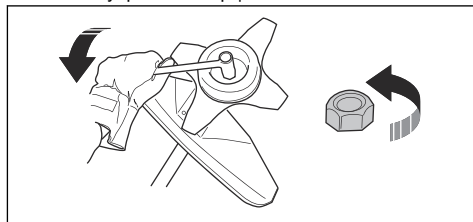


### ПРЕДУПРЕЖДЕНИЕ:

Остановите двигатель, наденьте защитные перчатки и обращайтесь с острыми краями режущего оборудования с осторожностью.

На некоторых типах режущего оборудования для крепления используется контргайка. Контргайка имеет левостороннюю резьбу.

- При сборке следует затягивать контргайку против направления вращения режущего оборудования.
- При разборке необходимо поворачивать контргайку в направлении вращения режущего оборудования.
- Используйте торцевой ключ с длинной ручкой для ослабления и затягивания контргайки. На рисунке стрелкой показан участок, откуда вы можете управлять торцевым ключом.



**ПРЕДУПРЕЖДЕНИЕ:** При ослаблении и затягивании контргайки существует риск травмирования лезвием. При выполнении этих операций всегда обеспечивайте защиту рук, используя щиток ножа.

**Примечание:** Убедитесь, что вы не можете повернуть контргайку вручную. Замените гайку, если сопротивление нейлоновой прокладки не составляет минимум 1,5 Нм. Контргайку следует заменить после примерно 10-кратного использования.

## Режущее оборудование

Правильный подбор и надлежащее обслуживание режущего оборудования позволяют:

- Достичь максимального эффекта при резке.
- Продлить срок службы режущего оборудования.

- Следуйте инструкциям по проверке, обслуживанию и ремонту глушителя.
- В обязательном порядке используйте рекомендованный для режущего оборудования щиток. См. раздел "Технические данные".



### ПРЕДУПРЕЖДЕНИЕ:

Пользуйтесь режущим оборудованием только с рекомендованной защитой! См. раздел "Технические данные". См. инструкции по использованию режущего оборудования для правильной установки режущей лески и выбора правильного диаметра лески.



### ПРЕДУПРЕЖДЕНИЕ:

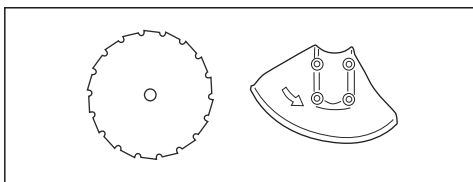
Неисправное режущее оборудование увеличивает риск несчастных случаев.



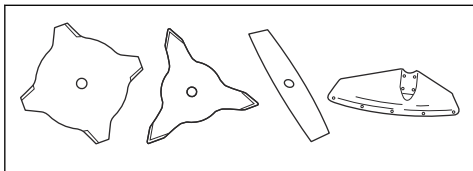
**ПРЕДУПРЕЖДЕНИЕ:** Всегда выключайте двигатель перед тем, как приступить к работе над какой-либо частью режущего оборудования. Оно продолжает вращаться даже при отпущенном дросселе. Убедитесь, что режущее оборудование полностью остановилось, и отсоедините колпачок свечи зажигания, прежде чем приступить к работе с ним.

### Режущее оборудование

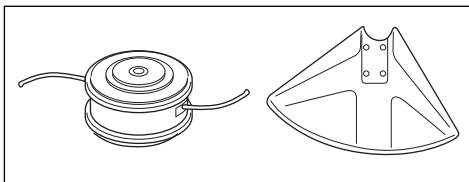
- Для срезания кустарников и тонких деревьев используйте режущий диск.



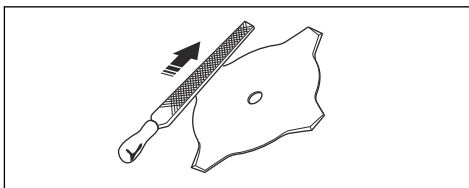
- Для стрижки жесткой травы используйте лезвия и ножи для травы.



- Для стрижки травы используйте головку триммера.



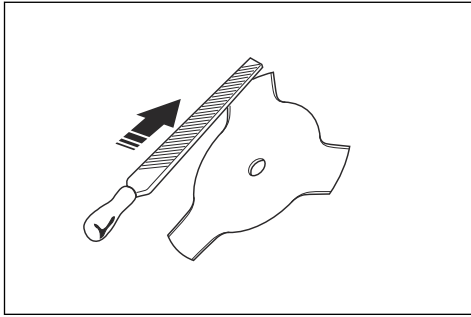
- Неправильно заточенный или поврежденный нож увеличивает риск несчастных случаев. Режущие зубья ножа должны быть правильно заточены. Следуйте инструкциям, приведенным в разделе *Заточка ножей и лезвий для травы на стр. 303*, и используйте рекомендованный шаблон для затачивания.



- Осмотрите режущее оборудование на наличие повреждений и трещин. Замените поврежденное режущее оборудование.
- Пользуйтесь режущим оборудованием только с рекомендованной защитой. См. раздел *Технические данные на стр. 318*.

### Ножи

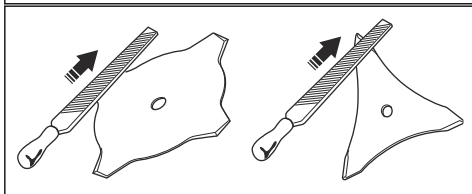
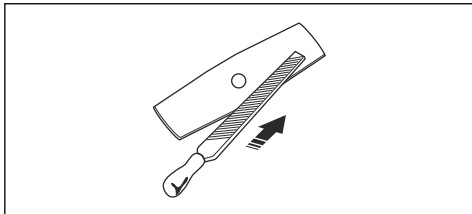
- Используйте изделие с рекомендованным ножом. Запрещается использовать нож, если все необходимые детали не установлены должным образом. Убедитесь, что установка выполнена правильно и используются соответствующие детали. Неправильная установка может привести к отрыву ножа и серьезной травме оператора или находящихся рядом посторонних лиц.
- Наденьте защитные перчатки при работе с ножом или выполнении технического обслуживания.
- При использовании изделия с ножом надевайте защитный шлем.
- Нож может стать причиной травмы, если он вращается после остановки двигателя или отпущения рычага дросселя. Убедитесь, что нож полностью остановился, прежде чем выполнять техническое обслуживание.
- Всегда выключайте двигатель, прежде чем приступить к работе с режущим оборудованием. Убедитесь, что режущее оборудование полностью остановилось. Отсоедините провод свечи зажигания.
- Режущие зубья ножа должны быть правильно заточены.



- Не используйте поврежденное режущее оборудование.
- Перед транспортировкой или помещением изделия на хранение установите на нож транспортировочный щиток.

### Заточка ножей и лезвий для травы

- Равномерно заточите все кромки ножей и лезвий для травы, чтобы сохранить баланс. Используйте плоский напильник с односторонним узором.



### Заточка режущего диска

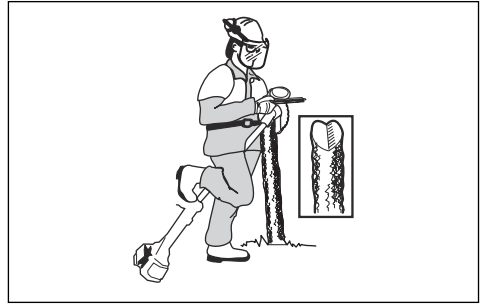


#### **ПРЕДУПРЕЖДЕНИЕ:**

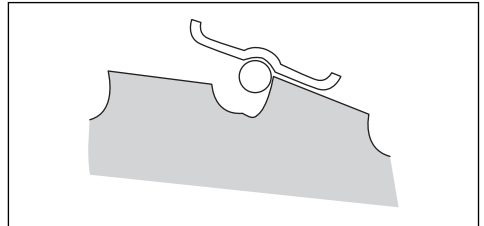
Остановите двигатель. Используйте защитные перчатки.

- Правильную процедуру заточки диска см. в инструкциях, поставляемых вместе с диском.

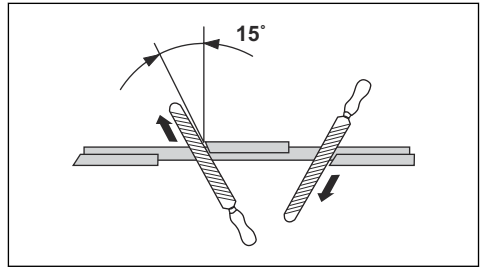
- Обеспечьте изделию и диску надлежащую опору при заточке диска.



- Пользуйтесь круглым напильником на 5,5 мм (7/32 дюйма) с держателем.



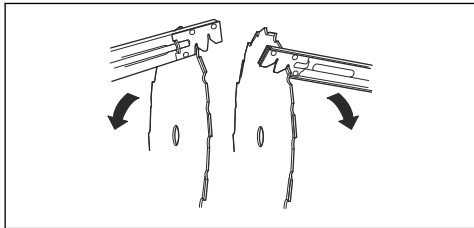
- Держите напильник под углом 15°.
- Затачивайте один зуб режущего диска вправо, а следующий зуб — влево, см. рисунок.



**Примечание:** Если диск сильно изношен, затачивайте кромки зубьев плоским напильником. Продолжите заточку круглым напильником.

- Для сохранения балансировки диска все кромки должны быть заточены одинаково.

- Отрегулируйте разводку режущего диска до 1 мм (0,04 дюйма) с помощью рекомендуемого инструмента для разводки. См. инструкции, поставляемые вместе с диском.

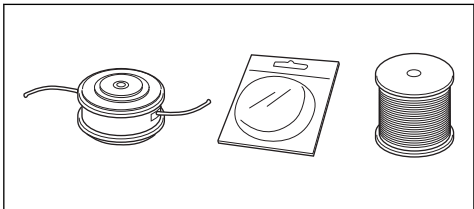


**ПРЕДУПРЕЖДЕНИЕ:** Всегда утилизируйте поврежденные ножи. Не пытайтесь выпрямить изогнутый или перекошенный нож для его повторного использования.

### Головка триммера



**ПРЕДУПРЕЖДЕНИЕ:** В обязательном порядке убедитесь, что режущая леска плотно и равномерно намотана на барабан во избежание вредной вибрации.



- Используйте только рекомендованные головки триммера и режущие лески.
- Используйте только рекомендованное режущее оборудование.
- Для меньшего инструмента требуются головки триммера меньшего размера и наоборот.
- Крайне важна длина режущей лески. Более длинная леска требует более мощного двигателя, чем короткая леска такого же диаметра.
- Убедитесь, что нож, размещенный на щитке триммера, не поврежден. Он обрезает режущую леску до необходимой длины.
- Для продления срока службы режущей лески ее можно вымачивать в воде в течение нескольких дней перед использованием.

### Правила безопасного обращения с топливом

- Запрещается запускать изделие, если на него попало топливо или моторное масло. Удалите постороннее топливо/масло и дайте изделию высохнуть. Удалите постороннее топливо с поверхности изделия.
- Если топливо попало на одежду, немедленно смените ее.
- Не допускайте попадания топлива на тело, это может причинить вред здоровью. При попадании топлива на тело смойте его водой с мылом.
- Запрещается запускать двигатель, если вы пролили масло или топливо на изделие или тело.
- Запрещается запускать изделие при наличии утечки из двигателя. Регулярно проверяйте двигатель на наличие утечек.
- Соблюдайте осторожность при обращении с топливом. Топливо является легковоспламеняющейся жидкостью со взрывоопасными парами и может привести к серьезным или смертельным травмам.
- Запрещается вдыхать пары топлива, т. к. это может причинить вред здоровью. Убедитесь в наличии достаточного потока воздуха.
- Запрещается курить вблизи топлива или двигателя.
- Запрещается ставить теплые предметы рядом с топливом или двигателем.
- Запрещается доливать топливо при работающем двигателе.
- Прежде чем заправить изделие, убедитесь, что двигатель полностью остыл.
- Перед заправкой топлива медленно откройте крышку топливного бака и осторожно сбросьте давление.
- Запрещается заливать топливо в двигатель в помещении. Недостаточная вентиляция может привести к травме или смерти в результате удушья или отравления угарным газом.
- Аккуратно затяните крышку топливного бака во избежание возгорания.
- Переместите изделие минимум на 3 м (10 футов) от места заправки топливом, прежде чем запустить его.
- Не наливайте в топливный бак слишком много топлива.
- Убедитесь, что при перемещении изделия или емкости для топлива невозможно возникновение утечки.
- Запрещает размещать изделие или емкость для топлива вблизи открытого огня, искр или горящих фитилей. Убедитесь, что в месте хранения отсутствует открытый огонь.
- Используйте только одобренные емкости для переноски и хранения топлива.
- Сливайте топливо из топливного бака перед размещением изделия на длительное хранение.



Соблюдайте требования местного законодательства в отношении места утилизации топлива.

- Очистите изделие, прежде чем поместить его на длительное хранение.
- Прежде чем поместить изделие на хранение, снимите кабель свечи зажигания во избежание случайного запуска двигателя.

## Инструкции по безопасности во время технического обслуживания

- Если вы не можете отрегулировать скорость холостого хода для остановки режущего оборудования, обратитесь в сервисный центр. Запрещается пользоваться изделием, пока не будет выполнена точная регулировка или ремонт.

## Сборка



**ПРЕДУПРЕЖДЕНИЕ:** Перед сборкой изделия ознакомьтесь с разделом безопасности.

### Введение



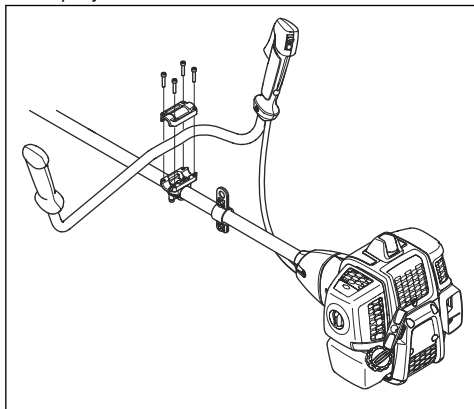
**ПРЕДУПРЕЖДЕНИЕ:** Перед сборкой изделия ознакомьтесь с разделом, посвященным безопасности, и усвойте его содержание.



**ПРЕДУПРЕЖДЕНИЕ:** Перед сборкой изделия снимите со свечи зажигания провод свечи зажигания.

### Установка рукоятки

1. Закрепите рукоятку на кронштейне, как показано на рисунке.



### Установка лезвий для травы и головок триммера



**ПРЕДУПРЕЖДЕНИЕ:** Используйте для ножей только одобренный щиток. См. раздел *Технические данные* на стр. 318.

Неисправный щиток может стать причиной серьезной травмы.

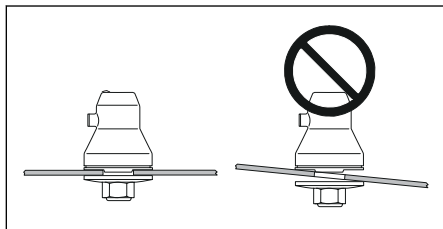


**ПРЕДУПРЕЖДЕНИЕ:** При использовании изделия с лезвием для травы установите сначала соответствующую рукоятку, щиток лезвия и оснастку.



**ПРЕДУПРЕЖДЕНИЕ:** Неправильно установленные лезвия могут стать причиной травмы.

1. Убедитесь, что поднятая секция на ведущем диске/опорном фланце правильно вошла в центральное отверстие в лезвии.
2. Установите лезвия.



### Установка щитка лезвия, лезвия для травы и ножа для травы

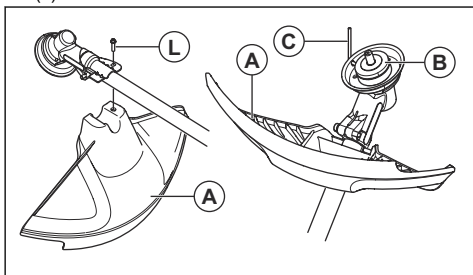


**ВНИМАНИЕ:** Используйте для лезвий только одобренный щиток. См. руководство для оператора.

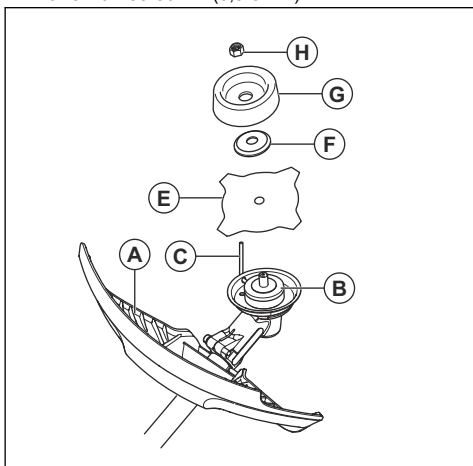


**ВНИМАНИЕ:** В обязательном порядке снимите дополнительное ограждение.

1. Установите щиток лезвия/режущего оборудования (A) на штангу и закрепите болтом (L).



2. Наденьте на выходной вал ведущий диск (B).
3. Поворачивайте выходной вал до тех пор, пока одно из отверстий ведущего диска не совместится с отверстием в корпусе зубчатой передачи.
4. Вставьте стопорный штифт (C) в отверстие, чтобы зафиксировать выходной вал.
5. Установите лезвие (E), опорный фланец (F) и опорную чашку (G) на выходной вал.
6. Установите гайку (H). Держите ручку ключа как можно ближе к щитку ножа. Чтобы затянуть гайку, поворачивайте ключ в сторону, противоположную направлению вращения. Затяните гайку моментом 35-50 Нм (3,5-5 кгм).

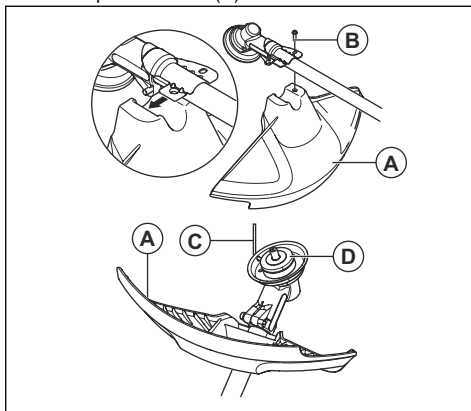


**Примечание:** Левосторонняя резьба.

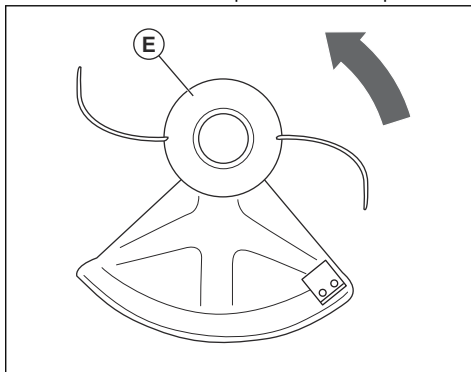
### Крепление щитка и головки триммера

**Примечание:** Убедитесь, что вы используете щиток, соответствующий головке триммера.

1. Установите щиток триммера/комбинированный щиток (A), подходящий для головки триммера.
2. Установите щиток триммера/комбинированный щиток вокруг вала и зафиксируйте его болтом (B). Используйте стопорный штифт или шестигранный ключ (C).



3. Вставьте стопорный штифт или шестигранный ключ (C) в паз на головке винта и затяните.
4. Закрепите ведущий диск (D) на выходном валу.
5. Поворачивайте выходной вал до тех пор, пока одно из отверстий ведущего диска не совместится с отверстием в редукторе.
6. Вставьте стопорный штифт или шестигранный ключ (C) в отверстие, чтобы зафиксировать вал.
7. Установите головку триммера/пластмассовые ножи (E). Поверните головку триммера/пластмассовые ножи против часовой стрелки.



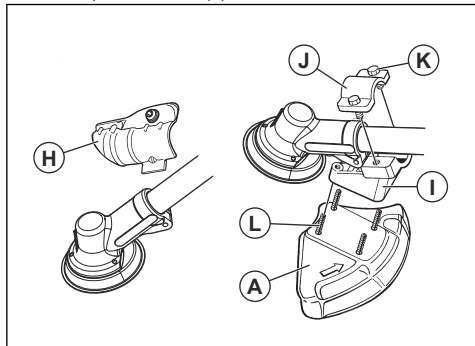
8. Для снятия выполните все операции в обратном порядке.

## Установка щитка лезвия и режущего диска

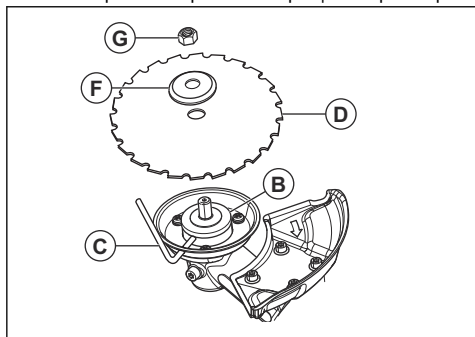


**ВНИМАНИЕ:** Используйте для лезвий только одобренный щиток. См. раздел *Технические данные* на стр. 318.

1. Снимите крепежную пластину (H).
2. Установите переходник (I) и скобу (J) с помощью двух болтов (K).
3. Установите щиток лезвия (A) на переходник с помощью 4 винтов (L).

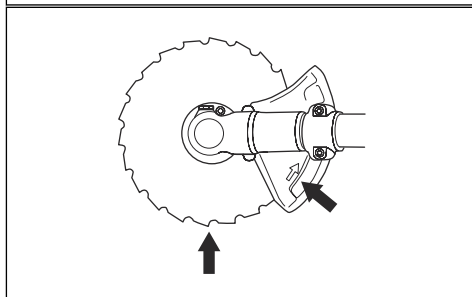
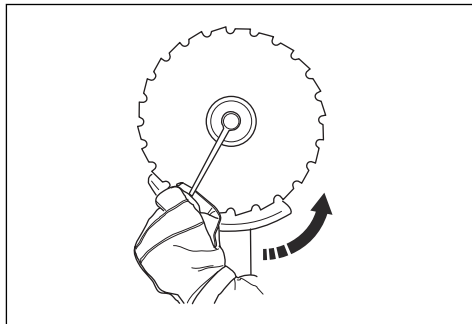


4. Наденьте на выходной вал ведущий диск (B).
5. Поворачивайте вал диска до тех пор, пока одно из отверстий в ведущем диске не совместится с отверстием в корпусе редуктора.
6. Вставьте стопорный штифт (C) в отверстие, чтобы зафиксировать выходной вал.
7. Установите нож (D) и опорный фланец (F) на выходной вал.
8. Установите гайку (G). Момент затяжки гайки составляет 35-50 Нм (3,5-5 кгм). Используйте торцевой ключ из набора инструментов. Держите ручку ключа как можно ближе к щитку лезвия. Гайка затягивается при вращении торцевого ключа против направления вращения триммера.



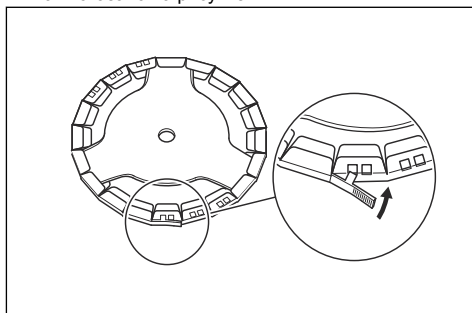
**Примечание:** Левосторонняя резьба.

9. При ослаблении и затягивании гайки режущего диска существует риск травмирования зубьями режущего диска. Поэтому следите за тем, чтобы ваша рука всегда находилась за щитком лезвия. С этой целью необходимо всегда использовать торцевой ключ с длинной рукояткой. На рисунке стрелкой показан участок, в котором следует располагать торцевой ключ при ослаблении или затягивании гайки.



## Установка транспортировочного щитка

1. Установите транспортировочный щиток на нож, как показано на рисунке.



## Регулировка оснастки

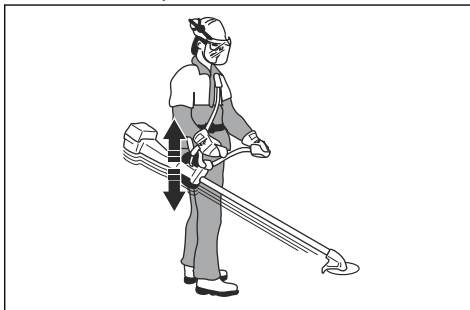


**ПРЕДУПРЕЖДЕНИЕ:** Изделие всегда должно быть правильно закреплено на оснастке. В противном случае вы не сможете безопасно использовать изделие, что может привести к травмированию вас или окружающих. Не используйте неисправную оснастку. Запрещается использовать оснастку со сломанным устройством быстрого расцепления.

1. Наденьте оснастку.
2. Подключите изделие к оснастке.
3. Отрегулируйте оснастку до оптимального рабочего положения.
4. Отрегулируйте боковые ремни таким образом, чтобы вес изделия равномерно распределялся на плечи.



5. Отрегулируйте положение оснастки таким образом, чтобы режущее оборудование находилось параллельно земле.



6. Режущее оборудование должно слегка касаться земли. Затем отрегулируйте фиксатор оснастки для правильного баланса изделия.

**Примечание:** При использовании лезвия для травы сбалансированное положение должно находиться на высоте приблизительно 10 см/4 дюйма над землей.

## Эксплуатация



**ПРЕДУПРЕЖДЕНИЕ:** Перед началом эксплуатации изделия внимательно изучите раздел техники безопасности.

### Введение



**ПРЕДУПРЕЖДЕНИЕ:** Перед эксплуатацией прибора необходимо внимательно изучить раздел безопасности.

### Топливо

Данное изделие оборудовано двухтактным двигателем.



**ВНИМАНИЕ:** Заправка неподходящим типом топлива может привести к повреждению двигателя. Используйте смесь бензина и масла для двухтактных двигателей.

### Предварительно смешанное топливо

- Для обеспечения оптимальной производительности и продления срока службы двигателя используйте предварительно смешанное топливо-алкилат McCulloch. Данный тип топлива содержит меньшее количество вредных веществ по сравнению с обычным топливом, что приводит к сокращению вредных выбросов. Такое топливо при сгорании образует меньшее количество остатков, благодаря чему компоненты двигателя остаются более чистыми.

### Смешивание топлива

#### Бензин

- Используйте неэтилированный бензин надлежащего качества с максимальным содержанием этанола 10%.



**ВНИМАНИЕ:** Не используйте бензин с октановым числом меньше 90 RON/87 AKI. При более низком октановом числе двигатель может

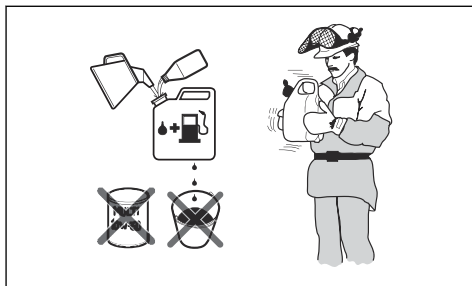
производить стук, что в свою очередь может привести к повреждению двигателя.

### Масло для двухтактных двигателей

- Для достижения оптимальных результатов и мощности пользуйтесь маслом McCulloch для двухтактных двигателей.
- Если у вас нет масла McCulloch для двухтактных двигателей, вы можете использовать высококачественное масло, предназначенное для двухтактных двигателей с воздушным охлаждением. Для выбора правильного масла обратитесь к своему дилеру по обслуживанию.



**ВНИМАНИЕ:** Запрещается использовать масло, предназначенное для двухтактных двигателей с внешним водяным охлаждением, т.н. "outboard oil".  
Использовать масло для четырехтактных двигателей запрещается.



1. Добавьте половину количества бензина в чистую емкость для топлива.
2. Добавьте все количество масла.
3. Взболтайте топливную смесь.
4. Добавьте оставшуюся часть бензина в емкость.
5. Осторожно взболтайте топливную смесь.



**ВНИМАНИЕ:** Срок хранения топливной смеси не должен превышать 1 месяца.

### Смешивание бензина и масла для двухтактных двигателей

Бензин, л	Масло для двухтактных двигателей, л
	<b>2% (50:1)</b>
5	0,10
10	0,20
15	0,30
20	0,40
<b>амер. галлон</b>	<b>амер. жидкая унция</b>
1	2 ½
2 1/2	6 ½
5	12 ⅝



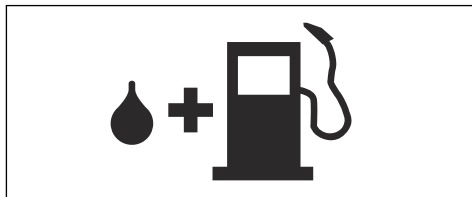
**ВНИМАНИЕ:** Небольшие неточности при смешивании небольшого количества топлива могут значительно повлиять на соотношение компонентов в смеси. Внимательно измеряйте количество масла, чтобы обеспечить правильное соотношение компонентов.

### Заправка топливного бака



**ПРЕДУПРЕЖДЕНИЕ:** Следуйте приведенным ниже инструкциям для вашей безопасности.

1. Остановите двигатель и дайте ему остыть.
2. Очистите поверхность вокруг крышки топливного бака.



3. Взболтайте емкость и убедитесь, что топливо полностью смешалось.
4. Медленно снимите крышку топливного бака, чтобы стравить давление.
5. Заполните топливный бак.



**ВНИМАНИЕ:** Убедитесь, что в топливном баке не слишком много топлива. При нагреве топливо расширяется.

6. Аккуратно затяните крышку топливного бака.
7. Уберите пролитое топливо с изделия и вокруг него.

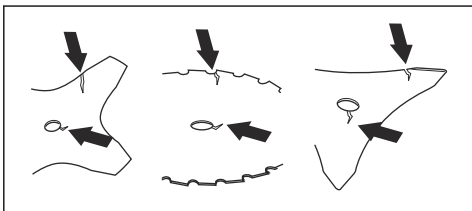
8. Перед запуском двигателя относите изделие в сторону не менее чем на 3 м / 10 футов от источника топлива и места заправки топливом.

**Примечание:** Информацию по расположению топливного бака на изделии см. в разделе *Обзор изделия на стр. 294*.

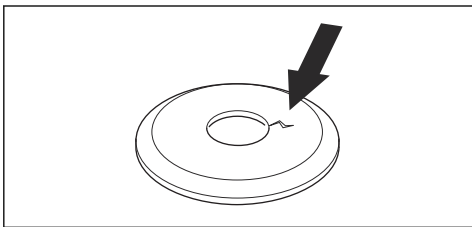
## Запуск и остановка

### Перед началом эксплуатации изделия

- Проверьте рабочую зону, тип участка, наклон рельефа, наличие посторонних предметов, например, камней, веток и ям.
- Проведите тщательный осмотр изделия.
- Проведите проверку безопасности и процедуры технического и сервисного обслуживания, приведенные в данном руководстве.
- Проверьте правильность установки и целостность всех кожухов, щитков, рукояток и режущего оборудования.
- Осмотрите режущий диск/лезвие для травы и убедитесь, что в основании диска или зубьев лезвия для травы или около центрального отверстия диска нет трещин. В случае повреждения диска замените его.

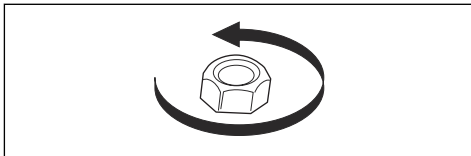


- Осмотрите опорный фланец на наличие трещин. В случае повреждения опорного фланца замените его.

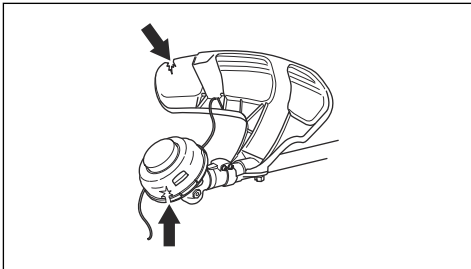


- Убедитесь, что снять контргайку вручную невозможно. Если вы можете снять контргайку вручную, это значит, что гайка не фиксирует

должным образом режущее оборудование и должна быть заменена.

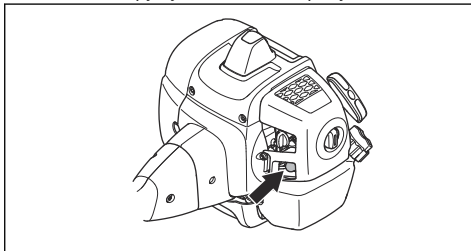


- Осмотрите защитный щиток на наличие повреждений и трещин. Замените защитный щиток, если он поврежден или имеет трещины.
- Осмотрите головку триммера и щиток режущего оборудования на наличие повреждений и трещин. Если головка триммера и щиток режущего оборудования повреждены или имеют трещины, замените их.

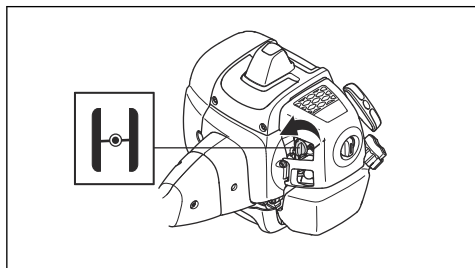


### Запуск двигателя

1. Разместите изделие на ровной устойчивой поверхности. Режущее оборудование не должно касаться земли.
2. Несколько раз нажмите на грушу нагнетателя, пока ее не начнет заполнять топливо. Полностью заполнять грушу топливом не требуется.

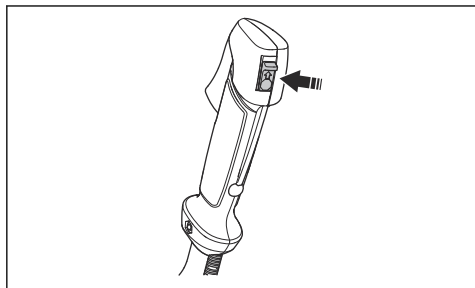


3. Переведите рычаг управления заслонкой в положение заслонки.

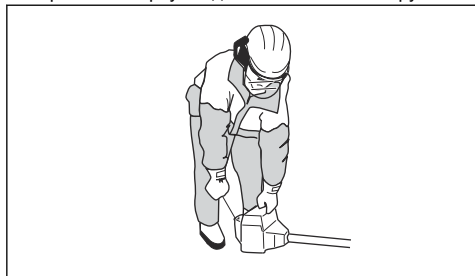


**ПРЕДУПРЕЖДЕНИЕ:** При запуске двигателя с закрытой заслонкой режущее оборудование сразу начинает вращаться.

4. Переведите переключатель запуска/остановки в положение RUN.



5. Прижмите корпус изделия к земле левой рукой.



6. Держите ручку шнура стартера правой рукой.  
7. Правой рукой медленно вытягивайте шнур стартера, пока не почувствуете сопротивление.



**ПРЕДУПРЕЖДЕНИЕ:** Не накручивайте шнур стартера вокруг руки.

8. Быстро и с усилием потяните за шнур. Несколько раз потяните шнур стартера, пока двигатель не запустится.

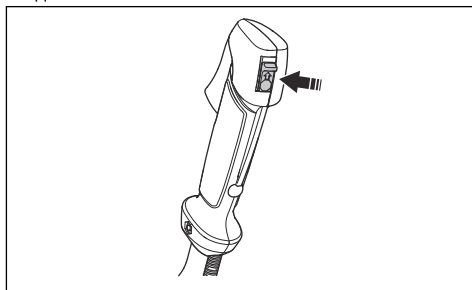


**ВНИМАНИЕ:** Не вытягивайте шнур стартера полностью и не отпускайте ручку стартера при полностью вытянутом шнуре. Это может привести к повреждению изделия.

9. Переведите заслонку в первоначальное положение, когда двигатель заработает.  
10. Когда двигатель запустится, постепенно задействуйте рычаг дросселя.  
11. Перед началом работы убедитесь, что двигатель работает плавно, и прогрейте его 1-2 минуты.

### Остановка изделия

- Нажмите на выключатель, чтобы остановить двигатель.



### Отскакивание ножа

- Отскакивание ножа — это резкое движение изделия в сторону, вперед или назад. Отскакивание происходит, когда лезвие для травы ударяется о предмет, не поддающийся резке. В местах, где затруднен обзор разрезаемого материала, риск отскакивания ножа возрастает.
- При отскакивании ножа существует риск смещения положения изделия или оператора. Движущийся нож может ударить стоящих рядом людей и стать причиной травм.
- Утилизируйте нож, если он деформирован, имеет трещины, сломан или поврежден.
- Пользуйтесь заточенным ножом. Риск отскакивания ножа возрастает при использовании незаточенного ножа.

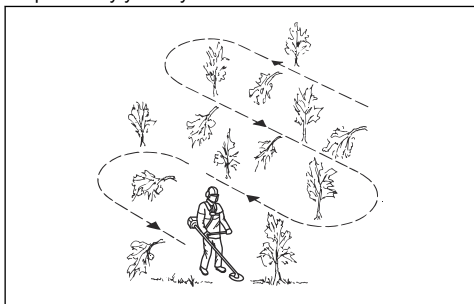
### Общие инструкции по эксплуатации



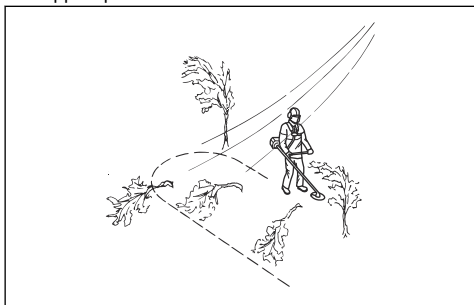
#### ПРЕДУПРЕЖДЕНИЕ:

Соблюдайте осторожность при пилении напряженных стволов деревьев. Ствол может спружиться, вернувшись в первоначальное положение до или после пиления, и повредить изделие или нанести вам травму.

- Создайте открытый участок на одном из концов рабочей зоны и начинайте работу оттуда.
- В ходе работы системно перемещайтесь по рабочему участку.



- Двигайтесь вперед и смещайте изделие влево и вправо до конца, чтобы при каждом смещении в сторону очищать участок шириной 4-5 м.
- Расчистите участок длиной 75 м, после чего поворачивайтесь и возвращайтесь назад. По мере продвижения вперед держите рядом с собой канистру с топливом.
- Двигайтесь в таком направлении, при котором пересечение канав и препятствий будет сведено к минимуму.
- Двигайтесь в таком направлении, при котором срезанная растительность под воздействием ветра будет падать на уже очищенную территорию.



- Работайте поперек склона, не передвигайтесь вверх и вниз по склону.

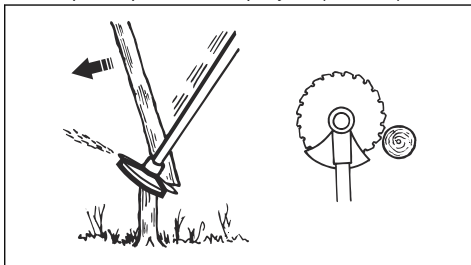
## Очистка леса режущим диском

### Валка дерева в левую сторону

Чтобы дерево упало влево, нижнюю часть дерева следует сдвинуть вправо.

1. Полностью откройте дроссель.
2. Поднесите режущий диск к дереву, как показано на рисунке.

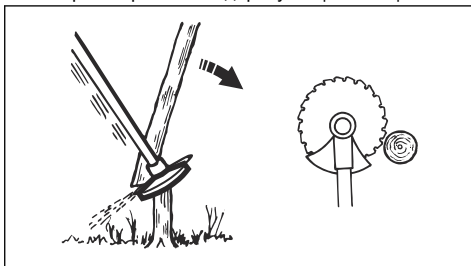
3. Наклоните режущий диск и резким движением переместите его по диагонали вниз вправо. В то же время прижмите к дереву защитный щиток.



### Валка дерева в правую сторону

Чтобы дерево упало вправо, нижнюю часть дерева следует сдвинуть влево.

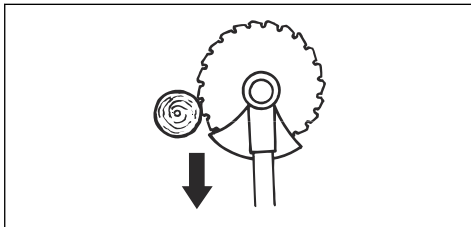
1. Полностью откройте дроссель.
2. Поднесите режущий диск к дереву, как показано на рисунке.
3. Наклоните режущий диск и резким движением переместите его по диагонали вверх вправо. В то же время прижмите к дереву защитный щиток.



### Валка дерева вперед

Чтобы дерево упало вперед, нижнюю часть дерева следует потянуть назад.

1. Полностью откройте дроссель.
2. Поднесите режущий диск к дереву, как показано на рисунке.
3. Переместите режущий диск резким движением назад.

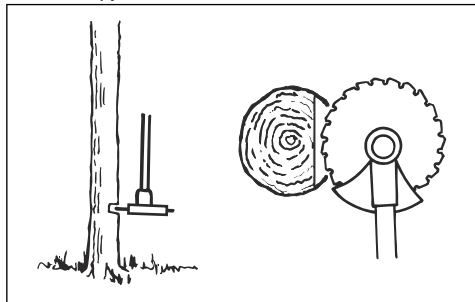




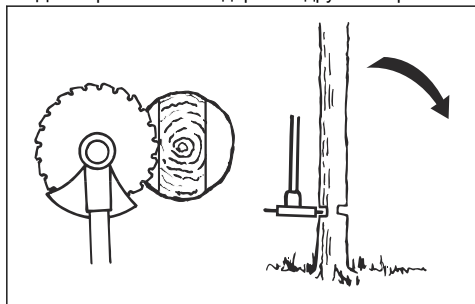
## Валка крупных деревьев

Крупные деревья следует распилить с двух сторон.

1. Решите, в каком направлении должно упасть дерево.
2. Полностью откройте дроссель.
3. Сделайте первый пропил с той стороны дерева, на которую вы хотите его повалить.



4. Далее распилите дерево с другой стороны.



**ВНИМАНИЕ:** В случае застревания режущего диска не пытайтесь вытащить изделие резким движением. Это может привести к повреждению режущего диска, зубчатой передачи, штанги или рукоятки. Отпустите рукоятки, ухватите обеими руками штангу и осторожно потяните изделие, чтобы освободить его.

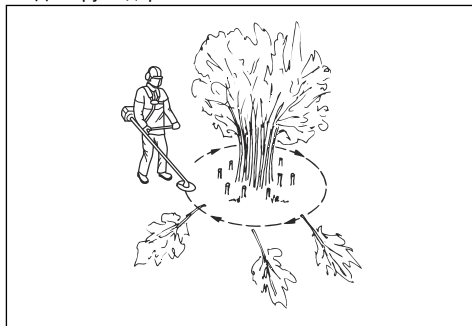
**Примечание:** Для валки небольших деревьев прикладывайте большее давление резки. Для валки крупных деревьев прикладывайте меньшее давление резки.

## Резка кустарника режущим диском

Чтобы дерево упало влево, нижнюю часть дерева следует сдвинуть вправо.

- Скашивайте деревья с тонкими стволами и кустарники.

- Перемещайте изделие из стороны в сторону.
- Одним движением скашивайте большое количество деревьев.
- Для групп деревьев с тонкими стволами:



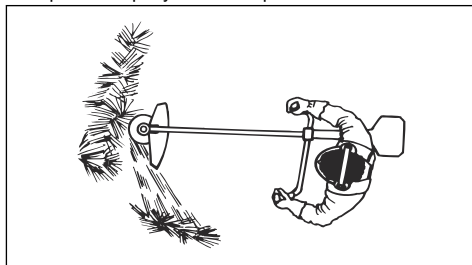
- а) Срежьте внешние деревья выше требуемой высоты.
- б) Обрежьте внешние деревья до требуемой высоты.
- с) Начинайте резку с середины. Если это невозможно, срежьте внешние деревья выше требуемой высоты и дайте им упасть на землю. Это снижает риск застревания режущего диска.

## Стрижка травы лезвием для травы



**ВНИМАНИЕ:** Лезвия и ножи для травы не должны использоваться для срезания стволов. Используйте лезвия и ножи для травы только для стрижки длинной и разросшейся травы.

- Перемещайте изделие из стороны в сторону.
- Срезайте траву движением справа налево. После чего перемещайте изделие обратно вправо и снова начинайте стрижку.
- Срезайте траву левой стороной лезвия.



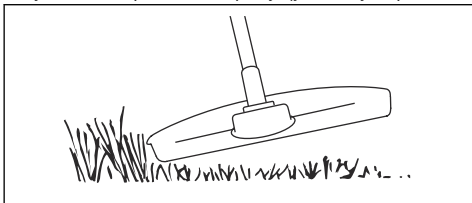
- При стрижке наклоняйте лезвие для травы влево, чтобы скошенная трава укладывалась ровными рядами. Это упростит ее сгребание.
- Занимайте устойчивое положение, поставив стопы ног на некотором расстоянии друг от друга.

- Двигайтесь вперед после каждого перемещения изделия вправо и перед следующим срезающим движением убедитесь, что занимаете устойчивое положение.
- Опорный колпак должен слегка прилегать к земле, тем самым он защищает лезвие от соприкосновения с грунтом.
- Соблюдайте эти инструкции, чтобы снизить риск обмотки скошенной материала вокруг лезвия для травы:
  - а) Полностью откройте дроссель.
  - б) При перемещении изделия слева направо не проводите лезвие для травы через скашиваемый материал.
- Прежде чем начать собирать скошенную траву, остановите двигатель и снимите изделие с оснастки. Положите изделие на землю.

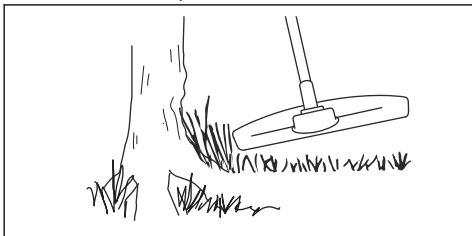
## Триммерная стрижка газонов головкой триммера

### Стрижка травы

1. Держите головку триммера чуть выше земли под углом. Не прижимайте режущую леску к траве.



2. Уменьшите длину режущей лески на 10-12 см / 4-4,75 дюйма.
3. Уменьшите частоту вращения двигателя, чтобы уменьшить риск повреждения растений.
4. При стрижке травы вблизи предметов дроссель должен быть открыт на 80%.



### Подрезка травы

1. Держите головку триммера над землей.
2. Наклоните головку триммера.
3. Используйте конец режущей лески для срезания травы вокруг объектов на участке работы.

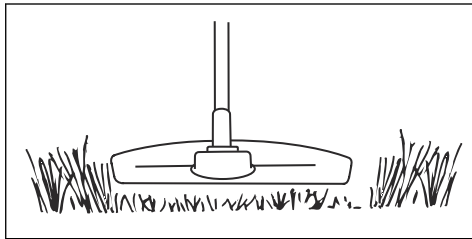


**ВНИМАНИЕ:** Выполните стрижку травы. При ударе режущей лески о другие предметы повышается износ режущей лески.

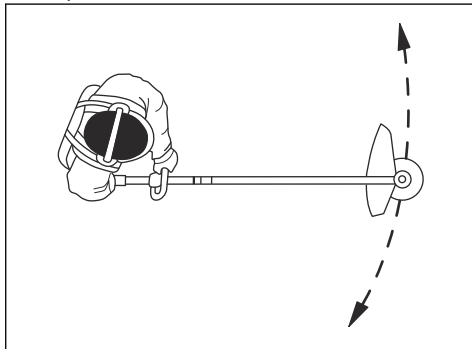
4. При стрижке и подрезке растительности используйте 80% от максимальной частоты вращения. Это снижает износ головки триммера и режущей лески.

### Кошение травы

1. При кошении травы держите режущую леску параллельно земле.



2. Не прижимайте головку триммера к земле. Это может привести к повреждению изделия.
3. При стрижке травы перемещайте изделие из стороны в сторону. Работайте на полных оборотах.



### Уборка травы

Воздушный поток от вращающейся режущей лески можно использовать для очистки участка от скошенной травы.

1. Держите головку триммера вместе с леской параллельно земле, не касаясь ее.
2. Полностью откройте дроссель.
3. Перемещайте триммер из стороны в сторону и очистите участок от скошенной травы.



**ПРЕДУПРЕЖДЕНИЕ:** Во избежание разбалансировки и вибраций на рукоятках каждый раз при установке

новой режущей лески очищайте кожух головки триммера. Кроме того, проверяйте другие детали головки

триммера и при необходимости очищайте их.

## Техническое обслуживание

### Введение

внимательно изучите раздел техники безопасности.



**ПРЕДУПРЕЖДЕНИЕ:** Перед техническим обслуживанием изделия

### График технического обслуживания

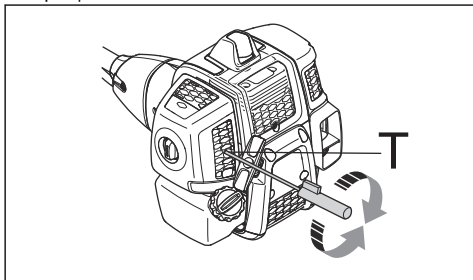
Техническое обслуживание	Еже-дневно	Еже-недельно	Еже-месячно
Очистите наружные поверхности.	X		
Осмотрите оснастку на наличие повреждений.	X		
Проверьте стопор дроссельного регулятора и сам дроссельный регулятор. См. раздел <i>Проверка стопора дроссельного регулятора на стр. 299.</i>	X		
Осмотрите ручку и рукоятку на наличие повреждений и проверьте правильность их установки.	X		
Проверьте выключатель. См. раздел <i>Проверка выключателя на стр. 300.</i>	X		
Убедитесь, что режущее оборудование не вращается на холостых оборотах.	X		
Очистите воздушный фильтр. При необходимости выполните замену.	X		
Осмотрите щиток режущего оборудования на наличие повреждений и трещин.	X		
Убедитесь, что режущий диск или лезвие для травы установлены надлежащим образом. Убедитесь, что режущий диск или лезвие для травы заточены и не повреждены.	X		
Осмотрите головку триммера на наличие повреждений и трещин. При необходимости выполните замену.	X		
На режущем оборудовании с контргайкой до упора затяните контргайку.	X		
Осмотрите транспортировочный щиток на наличие повреждений и убедитесь, что его можно закрепить на изделии надлежащим образом.	X		
Затяните гайки и винты.	X		
Проверьте двигатель, топливный бак и топливопроводы на наличие утечек.	X		
Осмотрите стартер и шнур стартера на наличие повреждений.		X	
Проверьте свечу зажигания. См. раздел <i>Проверка свечи зажигания на стр. 318.</i> При необходимости замените свечу зажигания. Убедитесь, что свеча зажигания оснащена изоляцией радиопомех.		X	
Очистите наружные поверхности карбюратора и область вокруг него.		X	
Убедитесь, что зубчатая передача правильно заполнена смазкой. См. раздел <i>Зубчатая передача на стр. 317.</i>		X	

Техническое обслуживание	Еже-дневно	Еже-дельно	Ежеме-сячно
Проверьте топливный фильтр на наличие загрязнения и топливный шланг на наличие трещин или других дефектов. При необходимости выполните замену.			X
Осмотрите все провода и соединения.			X
Замените свечу зажигания. Убедитесь, что свеча зажигания оснащена изоляцией радиопомех.			X

## Регулировка оборотов холостого хода

Игольчатые клапаны высоких и низких оборотов не подлежат регулировке. Единственным параметром, который можно регулировать, является скорость холостого хода.

1. Прежде чем приступить к регулировке скорости холостого хода, запустите двигатель и убедитесь, что он прогрет.
2. Поворачивайте винт регулировки скорости холостого хода по часовой стрелке до тех пор, пока режущее оборудование не начнет вращаться.



3. Затем поворачивайте винт регулировки скорости холостого хода против часовой стрелки, пока режущее оборудование не остановится.
4. Скорость холостого хода должна быть ниже скорости, при которой режущее оборудование начинает вращаться. Обороты холостого хода правильные, если двигатель работает ровно во всех положениях.

## Техобслуживание глушителя

Глушитель снижает уровень шума и отводит выхлопные газы от пользователя.

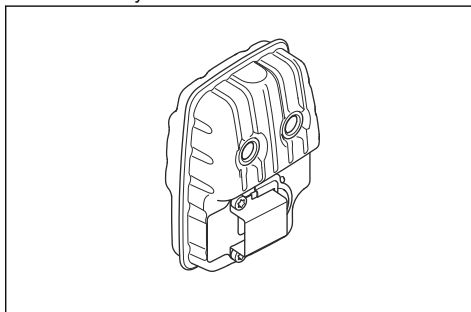


### ПРЕДУПРЕЖДЕНИЕ:

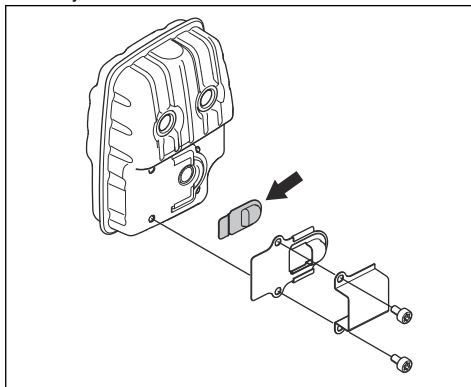
Глушитель, оснащенный катализатором, очень сильно нагревается во время работы и остается горячим некоторое время после остановки изделия. Это происходит и в режиме холостого хода. При прикосновении к изделию можно

получить ожоги. Помните об опасности пожара.

1. Остановите изделие и дайте ему остыть.
2. Снимите глушитель.



3. Отверните винты и снимите искрогасительную сетку.



4. Очистите искрогасительную сетку, если она засорена, или замените ее в случае повреждения.



**ВНИМАНИЕ:** В случае повреждения искрогасительную сетку следует заменить. Запрещается использовать изделие с поврежденной или

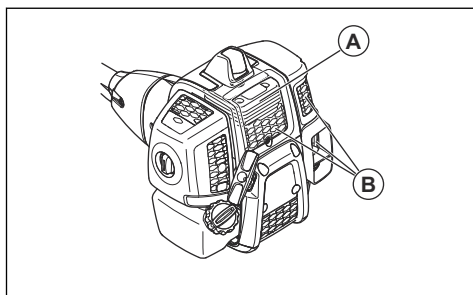
отсутствующей искрогасительной сеткой глушителя.



**ВНИМАНИЕ:** Если искрогасительная сетка часто бывает засорена, это может быть признаком нарушения работы катализатора. Обратитесь к своему сервисному дилеру для проверки глушителя. При засорении искрогасительной сетки возможен перегрев двигателя, что приведет к повреждению цилиндра и поршня.

## Очистка/техобслуживание системы охлаждения

Данное изделие оборудовано системой охлаждения. Загрязнение или засорение системы охлаждения может привести к перегреву изделия, в результате которого возможно повреждение поршня и цилиндра. Проверяйте и очищайте систему охлаждения щеткой раз в неделю или чаще при эксплуатации в тяжелых условиях. Система охлаждения включает ребра охлаждения на цилиндре (А) и воздухозаборнике (В).



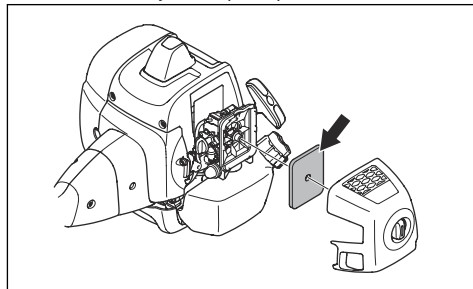
## Воздушный фильтр

Загрязненный воздушный фильтр может стать причиной неисправности карбюратора, проблем при запуске, снижения мощности двигателя и износа деталей двигателя. Кроме того, при загрязнении фильтра двигатель потребляет больше топлива, чем того требует. Выполняйте очистку фильтра через каждые 8 часов работы или чаще при работе в запыленной среде.

**Примечание:** После очистки или замены воздушного фильтра может потребоваться регулировка двигателя. См. раздел *Регулировка оборотов холостого хода* на стр. 316.

## Очистка и проверка воздушного фильтра

1. Снимите воздушный фильтр.



2. Продуйте войлочный воздушный фильтр сжатым воздухом.

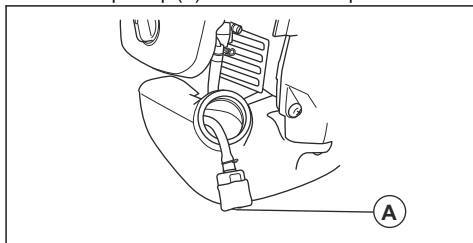


**ВНИМАНИЕ:** Если войлочный воздушный фильтр не получается полностью очистить, замените его. Всегда заменяйте поврежденный войлочный воздушный фильтр.

3. Очистите внутреннюю поверхность крышки воздушного фильтра. Используйте для очистки сжатый воздух или щетку.

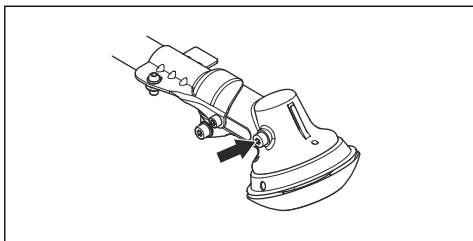
## Топливный фильтр

Когда в двигателе заканчивается топливо, проверьте воздушное отверстие в крышке топливного бака и топливный фильтр (А) на наличие засоров.



## Зубчатая передача

Зубчатую передачу заполняют достаточным количеством консистентной смазки на заводе-изготовителе. Тем не менее, прежде чем перейти к эксплуатации изделия, убедитесь, угловая зубчатая передача заполнена смазкой на 3/4. Используйте специальную смазку McCulloch.



Заменять смазку в зубчатой передаче не нужно, кроме случаев ремонта конического зубчатого колеса.

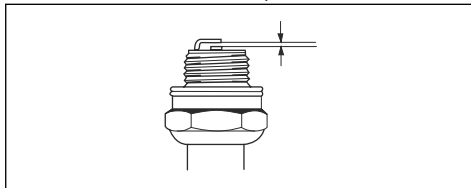
## Проверка свечи зажигания



**ВНИМАНИЕ:** Всегда используйте только указанный тип свечи. Использование неправильного типа свечи зажигания может привести к повреждению изделия.

- Проверьте свечу зажигания, если двигатель не набирает мощность, плохо заводится или плохо работает на холостых оборотах.

- Чтобы уменьшить риск появления нежелательного материала на электродах свечи зажигания, соблюдайте следующие инструкции:
  - а) Убедитесь в правильности регулировки частоты оборотов холостого хода.
  - б) Убедитесь, что используется надлежащая топливная смесь.
  - в) Убедитесь, что воздушный фильтр чист.
- Если свеча зажигания загрязнена, очистите ее и проверьте зазор между электродами, см. раздел *Технические данные на стр. 318.*



- При необходимости замените свечу зажигания.

## Технические данные

	<b>B40 V Elite</b>	<b>B40 VT Elite</b>
<b>Двигатель</b>		
Объем цилиндра, см <sup>3</sup>	40,1	40,1
Диаметр цилиндра, Ø мм	40,5	40,5
Длина хода поршня цилиндра, мм	31,1	31,1
Обороты холостого хода, об/мин	3000	3000
Рекомендованные макс. обороты, об/мин	12 000	12 000
Частота вращения выходного вала, об/мин	8220	8220
Макс. выходная мощность двигателя согласно ISO 8893, кВт при об/мин	1,5 при 9000	1,5 при 9000
<b>Система зажигания</b>		
Свеча зажигания	NGK CMR7H-10	NGK CMR7H-10
Зазор между электродами, мм	0,9-1,0	0,9-1,0
<b>Топливная система и система смазки</b>		
Изготовитель/тип карбюратора	Ruixing H225D-	Ruixing H225D-
Емкость топливного бака, л/см <sup>3</sup>	1 / 1000	1 / 1000
<b>Масса</b>		
Без топлива, режущего оборудования и щитка, кг	7,3	7,4

	<b>B40 B Elite</b>	<b>B40 BT Elite</b>
<b>Излучение шума<sup>34</sup></b>		
Уровень мощности звука, измеренный, дБ(А)	112	112
Уровень мощности звука, гарантированный, L <sub>WA</sub> дБ(А)	118	118
<b>Уровни шума<sup>35</sup></b>		
Эквивалентный уровень шумового давления на уровне уха пользователя, измерен согласно EN ISO 11806 и ISO 22868, дБ(А), мин./макс.		
С головкой триммера (оригинальной)	100	100
С лезвием для травы (оригинальным)	99	99
С режущим диском (оригинальным)	-	99
<b>Уровни вибрации<sup>36</sup></b>		
Эквивалентные уровни вибрации (a <sub>hν,eq</sub> ) на ручках, измерены согласно EN ISO 11806 и ISO 22867, м/с <sup>2</sup>		
С головкой триммера (оригинальной), слева / справа	3,4 / 4,4	3,4 / 4,4
С лезвием для травы (оригинальным), слева / справа	5,2 / 5,1	5,2 / 5,1
С режущим диском (оригинальным), слева/справа	-	4,5 / 4,2

<b>B40 B Elite, B40 BT Elite</b>		
<b>Одобрённые принадлежности</b>	<b>Тип</b>	<b>Защита режущего оборудования, арт. Ю.</b>
Центральное отверстие в лезвиях/ножах, Ø 25,4 мм		
Выходной вал с резьбой M12		
Лезвие для травы/нож для травы	Лезвие для травы 255-4 1" (Ø 255 4 зубца)	580 30 50-01
	Лезвие для травы 255-3 (Ø 255, 3 зубца)	580 30 50-01
Режущий диск	Режущий диск 200-22 (Ø 200-22 зубца)	581 33 84-01
Головка триммера	P35	580 30 50-01

<sup>34</sup> Излучение шума в окружающую среду измеряется как мощность звука (L<sub>WA</sub>) согласно директиве ЕС 2000/14/ЕС. Указанный уровень мощности звука для устройства измерен с оригинальным режущим оборудованием, дающим наивысший уровень. Разница между гарантированной и измеренной мощностью звука заключается в том, что гарантированная мощность звука включает результаты измерений как диапазон и их отклонение для устройств одной и той же модели согласно директиве 2000/14/ЕС.

<sup>35</sup> Указанные данные об эквивалентном уровне шумового давления имеют среднестатистический разброс (стандартное отклонение) в 1 дБ (А).

<sup>36</sup> Указанные данные об уровне вибрации имеют типичный статистический разброс (стандартное отклонение) в 1 м/с<sup>2</sup>.

<b>B40 B Elite, B40 BT Elite</b>		
Опорная чашка	Неподвижный	-



---

# Декларация соответствия ЕС

---

## Декларация соответствия ЕС

**Husqvarna AB**, SE-561 82 Huskvarna, Швеция, тел.: +46-36-146500, настоящим заявляет, что триммер **McCulloch B40 B Elite** с серийными номерами от 2021 и далее (год производства четко указан на паспортной табличке рядом с серийным номером) соответствуют требованиям ДИРЕКТИВЫ СОВЕТА ЕС:

- от 17 мая 2006 года "о механическом оборудовании" **2006/42/ЕС**
- от 26 февраля 2014 года "об электромагнитной совместимости" **2014/30/EU**
- от 8 мая 2000 года "относительно излучения шума в окружающую среду" **2000/14/ЕС**. Оценка соответствия нормам выполнена согласно Приложению V. Информация по эмиссии шума представлена в разделе "Технические характеристики".
- от 8 июня 2011 года "об ограничении использования определенных опасных веществ в электрическом и электронном оборудовании" **2011/65/EU**.

Применяются следующие стандарты:

**EN ISO 12100:2010, CISPR 12:2007+A1:2009, EN ISO 14982:2009, EN ISO 11806-1:2011, EN IEC 63000:2018**

RISE SMP Svensk Maskinprovning AB, Box 7035, SE-750 07 Uppsala, Sweden по собственному желанию осуществила типовую проверку от имени компании Husqvarna AB. Сертификатам присвоены номера: **SEC/12/2339** - B40 B Elite, B40 BT Elite

Организация RISE SMP Svensk Maskinprovning AB также заверила соответствие приложению V Директивы совета 2000/14/EG.

Huskvarna, 2020-08-25



Пер Мартинссон (Pär Martinsson), директор Отдела разработок (уполномоченный представитель компании Husqvarna AB и ответственный за техническую документацию)

141400, Московская обл., Г. Химки, ул. Ленинградская, владение 39, строение 6, здание II этаж 4, помещение OB02\_04, телефон горячей линии 8-800-200-1689

---

## Съдържание

---

Въведение.....	322	Поддръжка.....	344
Безопасност.....	325	Технически данни.....	347
Монтиране.....	333	Декларация за съответствие на ЕО.....	350
Експлоатация.....	337	.....	0

---

## Въведение

---

### Описание на продукта

Този продукт е хросторез с двигател с вътрешно горене.

Ние работим постоянно, за да подобряваме Вашата безопасност и ефективност по време на работа. Свържете се с дистрибутор по обслужването за повече информация.

### Предназначение

Използвайте продукта с циркуляр, резец за косене или тримерна глава за рязане на различни видове растителност. Не използвайте продукта за дейности,

различни от подрязване на трева, косене на трева и подкастриране на клони. Използвайте циркуляр за рязане на влакнеста дървесина. Използвайте резец за косене или тримерна глава за рязане на трева.

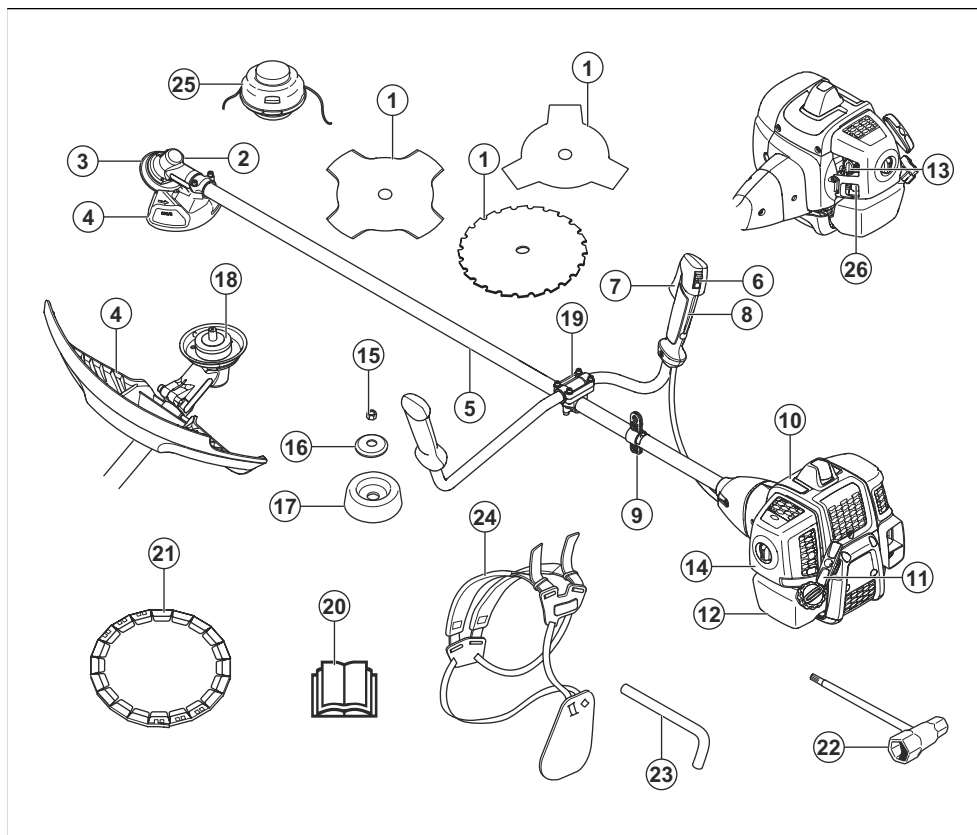
---

**Забележка:** Възможно е използването на продукта да се регулира от националните или местните разпоредби. Съобразявайте с предоставените разпоредби.

---

Използвайте продукта само с принадлежностите, които са одобрени от производителя. Вижте *Технически данни на страница 347*.

## Общ преглед на продукта



- |   |  |
|---|--|
| <ol style="list-style-type: none"> <li>1. Нож (не се предлага на всички пазари)</li> <li>2. Капачка за пълнене с грес, ъглова зъбна предавка</li> <li>3. Ъглова зъбна предавка</li> <li>4. Предпазител на режещо оборудване</li> <li>5. Двусекционен вал</li> <li>6. Превключвател за спиране</li> <li>7. Регулатор за газа</li> <li>8. Фиксатор на дроселната клапа</li> <li>9. Пръстен на окачването</li> <li>10. Капак на цилиндъра</li> <li>11. Дръжка на стартера</li> <li>12. Резервоар за гориво</li> <li>13. Смукач</li> <li>14. Капак на въздушния филтър</li> <li>15. Контрагайка</li> <li>16. Опорен фланец</li> <li>17. Сферична опора</li> </ol> | <ol style="list-style-type: none"> <li>18. Задвижващ диск</li> <li>19. Скоба на управлението</li> <li>20. Инструкция за експлоатация</li> <li>21. Защита при транспортиране (не се предлага на всички пазари)</li> <li>22. Глух гаечен ключ</li> <li>23. Шплинт (за продукти без шестостенен ключ)</li> <li>24. Самар</li> <li>25. Тримерна глава</li> <li>26. Купол на горивната помпа</li> </ol> |
|---|--|

### Символи върху машината



**ПРЕДУПРЕЖДЕНИЕ!** Този продукт е опасен. Невнимателното или погрешното използване на продукта може да доведе до нараняване или смърт на оператора или наблюдатели. За да предотвратите нараняване на оператора или наблюдатели, прочетете

и спазвайте всички инструкции за безопасност в ръководството на оператора.



Прочетете внимателно ръководството за оператора и се уверете, че разбирате инструкциите, преди да използвате машината.



Използвайте защитна каска на местата, където върху Вас могат да паднат предмети. Използвайте одобрени антифони. Използвайте одобрени защитни средства за очите.



Използвайте одобрени защитни ръкавици.



Използвайте устойчиви на плъзгане ботуши за тежък режим на работа.



Възможно е изхвърчане на предмети от продукта, което може да доведе до нараняване.



Максимални обороти на изходния вал.



Поддържайте минимално разстояние от 15 m/50 ft спрямо хора и животни по време на работа с продукта.



Съществува риск от откат на резаца, ако режещото оборудване докосне предмети, които не разреже веднага. Продуктът може да отреже части от тялото. Поддържайте минимално разстояние от 15 m/50 ft спрямо хора и животни по време на работа с продукта.



Използвайте само гъвкава тел за рязане. Не използвайте метални режещи елементи. Приложете това за приставка за предпазване срещу трева.



Стрелките показват ограничената за положението на ръкохватката.



Купол на горивната помпа.



Наливане на гориво.



Смукач.



Шумови емисии към околната среда съгласно Европейска директива 2000/14/ЕО и законодателството на Нов Южен Уелс "Регламент 2017 относно защитата на дейности, оказващи влияние на околната среда (контрол на шума)". Данните за шумови емисии се намират на етикета на машината и в *Технически данни на страница 347*.



Продуктът е в съответствие с приложимите директиви на ЕО.

ууууwxxxx

На типовата табелка или с лазерен печат е изписан серийният номер. **уууу** е годината на производство, **w** – седмицата на производство.

**Забележка:** Останалите символи/лепенки върху продукта се отнасят до изисквания по отношение на сертификати за други търговски зони.

## Отговорност за продукта

Както е посочено в законите за отговорност за вреди, причинени от стоки, ние не носим отговорност за щети, причинени от нашия продукт, ако:

- продуктът е неправилно ремонтиран.
- продуктът е ремонтиран с части, които не са от производителя или не са одобрени от производителя.
- продуктът има принадлежност, която не е от производителя или не е одобрена от производителя.
- продуктът не е ремонтиран в одобрен сервизен център или от одобрен орган.

## Емисии Euro V



**ПРЕДУПРЕЖДЕНИЕ:** Намесата в двигателя прави невалидно ЕС одобрението на тип на този продукт.

---

# Безопасност

---

## Дефиниции за безопасност

Дефинициите по-долу предоставят нивото на сериозност за всяка една предупредителна дума.



### ПРЕДУПРЕЖДЕНИЕ:

Нараняване на лица.



**ВНИМАНИЕ:** Повреда на продукта.

**Забележка:** Тази информация прави продукта по-лесен за използване.

## Общи инструкции за безопасност



**ПРЕДУПРЕЖДЕНИЕ:** Прочетете следващите предупредителни указания, преди да използвате продукта.

- Тази машина създава електромагнитно поле по време на работа. При някои условия това поле може да интерферира с активни или пасивни медицински имплантанти. За да намалите риска от тежко или смъртоносно нараняване, ние препоръчваме лицата с медицински импланти да говорят с лекаря си и производителя на медицинския имплант, преди да започнат да работят с тази машина.
- Не използвайте продукта, ако сте уморени, болни или под въздействието на алкохол, наркотици или лекарства. Това състояние оказва отрицателно въздействие върху Вашето зрение, бдителност, координация и преценка.
- Не работете с продукта в лошо време, например гъста мъгла, силен дъжд, силен вятър и силен студ. Работата с продукта в лошо време може да Ви измори и да създаде рискове, като например залежаване на земята и непредвидима посока на повалянето.
- Винаги бъдете внимателни и подхождайте разумно. Ако след като прочетете ръководството за оператора, чувствате неувереност относно дадена работна ситуация или процедурите за работа, се свържете със сервизния дистрибутор, преди да продължите.
- Отстранете лулата на запалителната свещ, ако изгубите продукта от поглед.

## Инструкции за безопасност при монтаж



**ПРЕДУПРЕЖДЕНИЕ:** Прочетете следващите предупредителни указания, преди да използвате продукта.

- Използвайте одобрени защитни ръкавици, когато монтирате продукта и режещото оборудване.
- Отстранете лулата на запалителната свещ от запалителната свещ, преди да сглобите продукта.
- Преди да работите с продукта, се уверете, че са монтирани правилното управление и правилният предпазител на режещото оборудване.
- Дефектният или неправилният предпазител на режещото оборудване може да причини нараняване. Не използвайте режещо оборудване, без да е монтиран одобрен предпазител на режещото оборудване.
- Прикрепете правилно капака на съединителя и двусекционния вал, преди да стартирате продукта.
- Задвижващият диск и опорният фланец трябва да са правилно поставени в централния отвор на режещото оборудване. Неправилно поставеното режещо оборудване може да причини нараняване или смърт.
- Прикрепете самара към продукта, за да предотвратите нараняване на оператора или други хора.

## Инструкции за безопасност за работа



**ПРЕДУПРЕЖДЕНИЕ:** Прочетете следващите предупредителни указания, преди да използвате продукта.

- Преди да използвате продукта, трябва да разберете и правите разлика между прочистване на горски участъци, косене и дооформяне на тревни площи.
- Използвайте лични предпазни средства, направете справка с *Лични предпазни средства на страница 326*.
- Дълготрайното излагане на шум може да доведе до постоянна загуба на слуха. Винаги използвайте одобрени антифони.
- Ослушвайте се за предупредителни сигнали и силни шумове, когато използвате антифони. Винаги сваляйте антифоните след спиране на двигателя.

- Никога не използвайте продукта, ако е променен или неизправен.
- Уверете се дали лулата на запалителната свещ и запалващият кабел не са повредени, за да избегнете опасността от токов удар.
- Огледайте работната зона, за да се уверите, че няма хора, животни или предмети, които да застрашават безопасността на работата с продукта.
- Огледайте работната зона, за да се уверите, че няма хора или животни, които докосват режещото оборудване или са ударени от предмети, които са изхвърчали от режещото оборудване.
- Не използвайте продукта в ситуация или на място, където не можете да получите помощ, ако възникне инцидент.
- Не използвайте продукта без одобрен предпазител на режещото оборудване.
- Уверете се, че хората и животните са на разстояние от минимум 15 m/50 ft по време на работа. Винаги поглеждайте назад, преди да завиете обратно с продукта. Спрете продукта незабавно, ако човек или животно влезе в безопасната зона от 15 m/50 ft. Ако в една и съща зона работи повече от 1 оператор, поддържайте безопасно разстояние от минимум 2 пъти височината на дървото и най-малко 15 m/50 ft.
- Огледайте работната зона. Избягвайте свободностоящите предмети, като камъни, счупени стъкла, гвоздеи, стоманена тел и жица, които могат да бъдат изхвърлени или да се омотаят около режещото оборудване.
- Уверете се, че можете да се движите безопасно и сте заели безопасна позиция. Огледайте зоната около Вас за препятствия като корени, камъни, клони и канали. Внимавайте при работа по наклони.
- Ако режещото оборудване се върти на обороти на празен ход, то трябва да се регулира от сервиз. Не използвайте продукта, докато не бъде регулиран или ремонтиран.
- Внимавайте за хвърчащи предмети. Винаги използвайте одобрени защитни средства за очите и стойте надалеч от предпазителя на режещото оборудване. Камъни или други малки предмети могат да изхвърчат в очите Ви и да доведат до слепота или други наранявания.
- Никога не поставяйте продукта на земята с двигателя, освен ако нямате ясна видимост.
- Не премахвайте изрязания материал, и не позволявайте на други хора да премахват изрязания материал, докато двигателят работи или режещото оборудване се върти, тъй като това може да доведе до сериозно нараняване.
- Винаги спирайте двигателя и се уверявайте, че режещото оборудване не се върти, преди да премахвате материала, който е увит около оста на резаца или е заклещен между предпазителя на режещото оборудване и режещото оборудване.
- Внимавайте, когато отстранявате материал от околната среда на режещото оборудване. Ъгловата зъбна предавка се нагрява по време на работа и може да причини изгаряне.
- Отработените газове от двигателя са горещи и могат да съдържат искри. Риск от пожар. Бъдете внимателни около сухи и запалими материали.
- Никога не използвайте продукта на закрито или в пространства без достатъчна вентилация. Отработените газове съдържат въглероден окис, много опасен, отровен газ без миризма.
- Спрете двигателя, преди да преминете към нова работна зона. Винаги прикрепяйте защитата при транспортиране, преди да преместите оборудването.
- Прекомерно излагане на вибрации може да доведе до поражения върху кръвоносни съдове и нервната система на лица със смущения в кръвообращението. Потърсете лекарска помощ, ако се появят симптоми, които могат да са резултат от прекомерно излагане на вибрации. Такива симптоми са например изтръпване, загуба на чувствителност, "иглички", "боджежи", болки, загуба на сила, промяна на цвета или състоянието на кожата. Тези симптоми се появяват обикновено на пръстите, ръцете или китките. Рискът може да се увеличи при ниски температури.



- Не се протягайте прекалено надалеч, докато работите. През цялото време поддържайте стабилна позиция с краката и добър баланс.
- Преди да стартирате продукта, поставете го на равна повърхност, минимум на 3 m/10 ft от източника на гориво и от мястото, на което наливате гориво. Уверете се, че няма предмети близо до или докосващи режещото оборудване.

## Лични предпазни средства

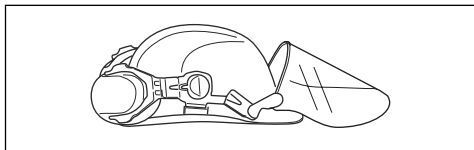


**ПРЕДУПРЕЖДЕНИЕ:** Прочетете следващите предупредителни указания, преди да използвате машината.

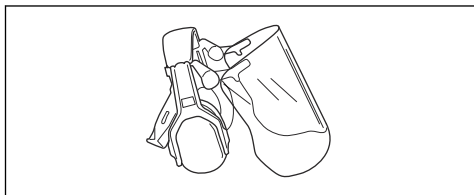
- При работа с продукта винаги използвайте одобрени лични предпазни средства. Личните

предпазни средства не изключват изцяло риска от нараняване, но намаляват степента на нараняването при злополука. Нека Вашият дистрибутор Ви помогне да изберете правилното оборудване.

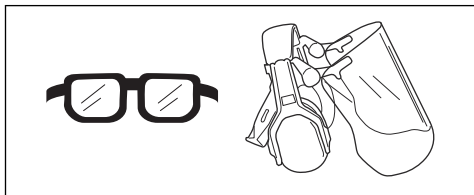
- Използвайте каска, ако дърветата в работната зона са високи над 2 м/6,5 ft.



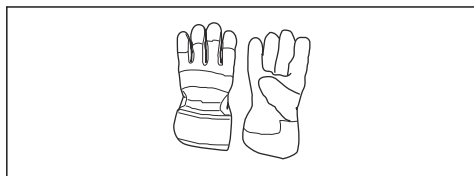
- Използвайте одобрени антифони.



- Използвайте одобрени защитни средства за очите. Ако използвате маска, използвайте също и одобрени защитни очила. Одобрените защитни очила трябва да отговарят на стандарт ANSI Z87.1 за САЩ или EN 166 за страните от ЕС.



- Когато е необходимо, носете ръкавици, например когато закрепвате, проверявате или почиствате режещото оборудване.



- Носете защитни ботуши със стоманени бомбета и противоплъзгащи подметки.



- Използвайте дрехи, направени от здрава тъкан. Винаги използвайте здрави, дълги панталони и дълги ръкави. Не носете използваните дрехи, които могат да се захванат за храсти и клони. Не носете бижута, къси панталони или сандали. Не ходете боси. Носете косата си безопасно над нивото на рамената.
- Дръжте наблизо комплект за първа помощ.



## Приспособления за безопасност на машината

За информация относно това къде да намерите приспособленията за безопасност *Предпазител на режещо оборудване на страница 329.*



**ПРЕДУПРЕЖДЕНИЕ:** Прочетете следващите предупредителни указания, преди да използвате машината.

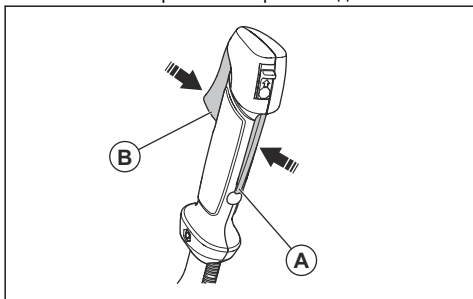
- Не използвайте машина с неизправни приспособления за безопасност. Проверявайте редовно и извършвайте техническо обслужване на приспособленията за безопасност. Ако приспособленията за безопасност са дефектни, говорете с Вашия сервис McCulloch.
- Не правете промени по приспособленията за безопасност. Не използвайте продукта, ако предпазните капаци, ключовете за безопасност или други предпазни устройства не са монтирани или са дефектни.
- За всички работи по поддръжката и поправката на продукта – особено за приспособленията за безопасност – е необходимо специално обучение. Ако приспособленията за безопасност не преминат успешно проверките от тази инструкция за експлоатация, трябва да получите помощ от сервис. Гарантираме, че има налични професионални ремонти и обслужване. Ако Вашият дилър не предлага сервисно обслужване, говорете с него, за да Ви даде информация за най-близкия сервис.

- Не използвайте режещо оборудване без одобрен и правилно поставен предпазител на режещото оборудване. Вижте *Технически данни на страница 347*.

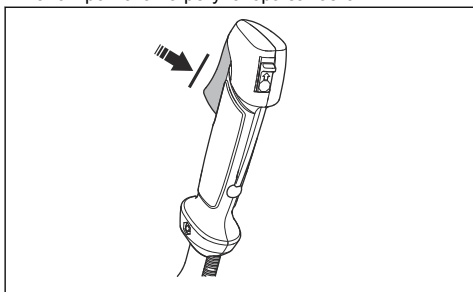
### За проверка на блокировката на регулатора на газта

Фиксаторът на дроселната клапа е предназначен за предотвратяване на неволното задействане на регулатора на дроселната клапа.

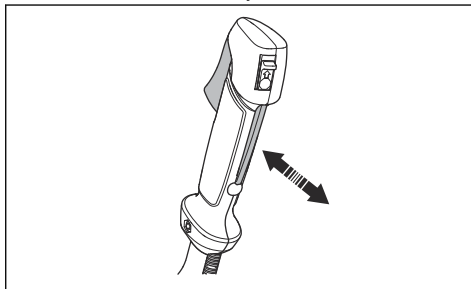
1. Натиснете блокировката на регулатора за газта (А) и се уверете, че регулаторът на дроселната клапа е освободен (В). Когато отпуснете ръкохватката, регулаторът на дроселната клапа и блокировката на регулатора за газта се връщат в изходното си положение. Това движение се осъществява с помощта на две възвратни пружини. В това положение регулаторът на дроселната клапа застана автоматично в положение на работа на празен ход.



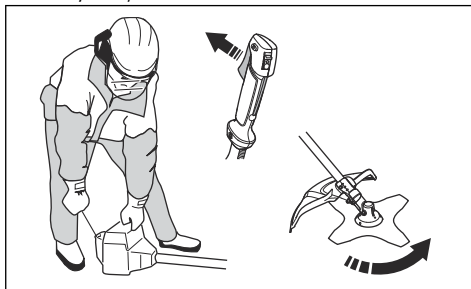
2. Уверете се, че регулаторът на дроселната клапа е фиксиран на празен ход, когато се освобождава блокировката на регулатора за газта.



3. Натиснете блокировката на регулатора за газта и се уверете, че се връща в изходното си положение, когато я отпуснете.



4. Проверете дали регулаторът на дроселната клапа и блокировката на регулатора за газта се движат свободно и възвратните пружини са в изправност.
5. Стартирайте продукта (направете справка с инструкциите в *За стартиране и спиране на страница 338*) и дайте пълна газ.
6. Отпуснете газта и се уверете, че режещото оборудване спира и остава неподвижно. Регулирайте карбуратора, ако аксесоара за рязане се движи с дросела, когато е в позиция на празен ход. Направете справка с инструкциите в глава *Регулиране на оборотите на празния ход на страница 345*.

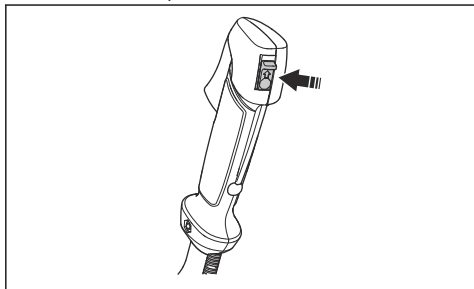


### За проверка на превключвателя за спиране

1. Стартирайте двигателя.

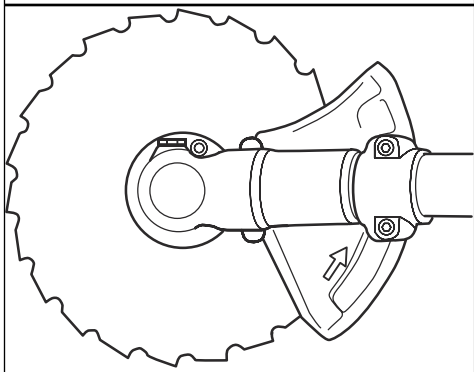
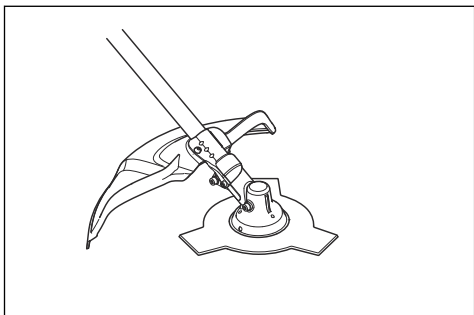


2. Преместете превключвателя за спиране на положение за спиране и се уверете, че двигателят спира.



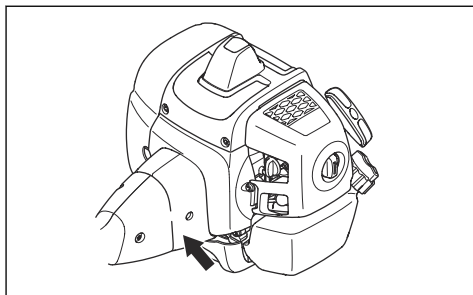
### Предпазител на режещо оборудване

Предпазителят на режещото оборудване предотвратява изхвърляне на свободни предмети по посока на оператора. Проверете предпазителя на режещото оборудване за повреда и го сменете, ако е повреден. Използвайте само одобрен предпазител за режещото оборудване.



### За проверка на антивибрационната система

Антивибрационната система намалява вибрациите в ръкохватките до минимално ниво, което улеснява работата.



1. Спрете двигателя.
2. Извършете визуална проверка за деформация и повреда, например пукнатини.
3. Уверете се, че елементите на антивибрационната система са правилно закрепени.

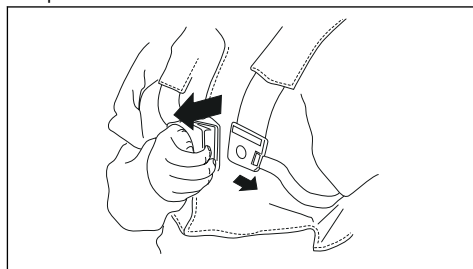
### За проверка на механизма за бързо освобождаване



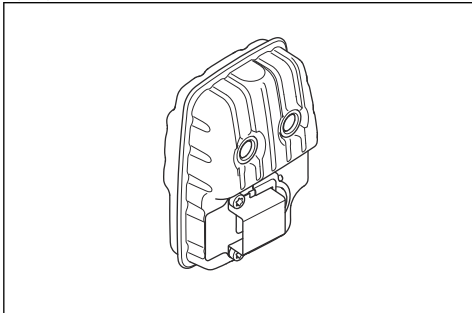
**ПРЕДУПРЕЖДЕНИЕ:** Не използвайте самар с дефектен механизъм за бързо освобождаване.

Механизмът за бързо освобождаване позволява на оператора бързо да извади продукта от самара в случай на авария.

1. Спрете двигателя.
2. Извършете визуална проверка за щети, например пукнатини.
3. Освободете и закрепете механизма за бързо освобождаване, за да се уверите, че работи правилно.



## Ауспук



- Не използвайте двигател с повреден ауспук. Повреденият ауспук повишава нивото на шума и риска от пожар. Съхранявайте наблизко пожарогасител.
- Редовно проверявайте дали ауспукът е закрепен към продукта.
- Не докосвайте двигателя или ауспуха, когато двигателят е включен. Не докосвайте двигателя или ауспуха за известно време след спиране на двигателя. Горещите повърхности могат да причинят нараняване.
- Горещият ауспук може да причини пожар. Бъдете внимателни, ако използвате продукта близо до запалителни течности или изпарения.
- Не докосвайте частите в ауспуха, ако е повреден. Частите могат да съдържат канцерогенни химикали.
- Почиствайте искрогасителя на редовни интервали от време, в случай че продуктът има искрогасител. ⚡

## За закрепване и премахване на контрагайка

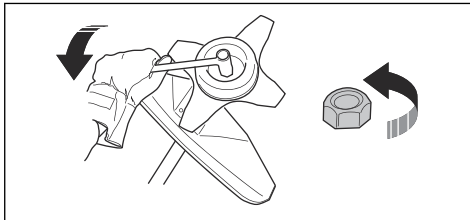


**ПРЕДУПРЕЖДЕНИЕ:** Спрете двигателя, използвайте защитни ръкавици и бъдете внимателни около острите ръбове на режещото оборудване.

Контрагайка се използва за закрепване на някои видове режещо оборудване. Контрагайката е с лява резба.

- За да прикрепите, затегнете контрагайката обратно на посоката на въртене на режещото оборудване.
- За да отстраните контрагайката, разхлабете я по посоката на въртене на режещото оборудване.

- За да разхлабите и затегнете контрагайката, използвайте глух гаечен ключ с дълга дръжка. Стрелката на снимката показва зоната, където можете да работите с глухия гаечен ключ.



**ПРЕДУПРЕЖДЕНИЕ:** Когато разхлабвате и затягате контрагайката, съществува опасност от нараняване от резеца. Когато правите това, трябва винаги да сте сигурни, че предпазният щит на резеца не позволява нараняване на ръката Ви.

**Забележка:** Уверете се, че не можете да въртите контрагайката на ръка. Сменете гайката, ако найлоновото вътрешно покритие няма съпротивление от минимум 1,5 Nm. Контрагайката трябва да се смени, след като е завинтована приблизително 10 пъти.

## Режещо оборудване

Изберете и поддържайте режещото оборудване, за да:

- Получите максимална ефективност на рязане.
- Увеличите експлоатационния ресурс на режещото оборудване.
- Спазвайте инструкциите за проверка, поддръжка и сервис за ауспуха.
- Винаги използвайте препоръчания предпазител за режещото оборудване. Вижте техническите характеристики.



## ПРЕДУПРЕЖДЕНИЕ:

Използвайте режещо оборудване само с препоръчаното от нас предпазно оборудване. Вижте раздел Технически характеристики. Направете справка с инструкциите за режещото оборудване за правилното намотаване на кордата на тримера и избора на правилен диаметър на кордата на тримера.



## ПРЕДУПРЕЖДЕНИЕ:

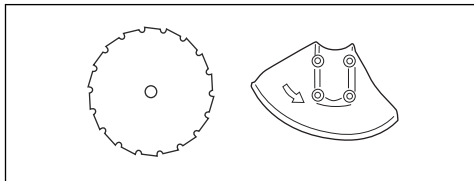
Неподходящо режещо оборудване може да повиши вероятността от злополуки.



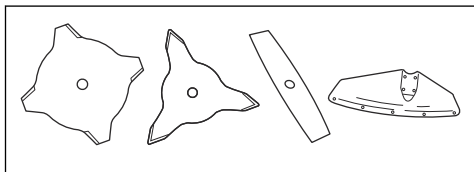
**ПРЕДУПРЕЖДЕНИЕ:** Спирайте винаги двигателя преди да започнете да работите с някои част от режещото оборудване. То продължава да се върти дори, когато сте пуснали регулатора на газа. Убедете се, че режещото оборудване е спряло напълно и разкачете лулата на запалителната свещ, преди да започнете работа по него.

### Режещо оборудване

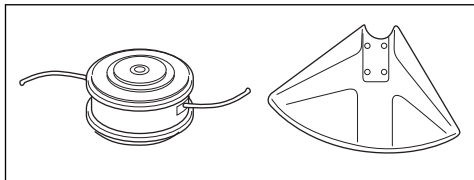
- Използвайте циркуляра за рязане на влакната дървесина.



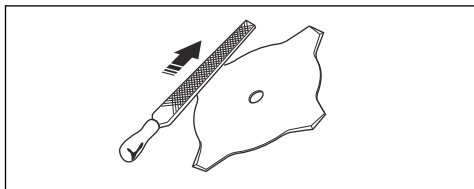
- Използвайте резците и ножовете за трева за косене на груба трева.



- Използвайте тримерната глава за косене на трева.



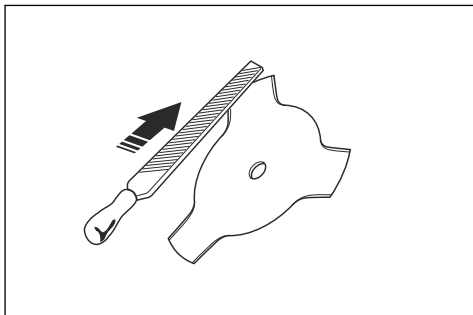
- Неправилно наточените или повредени ножове увеличават риска от злополуки. Поддържайте режещите зъбци на острието правилно заточени. Спазвайте инструкциите в *Заточване на резци за трева и резци за косене на страница 332* и използвайте препоръчания шаблон за чапразене.



- Проверете режещото оборудване за повреда и пукнатини. Подменяйте повреденото режещо оборудване.
- Използвайте режещо оборудване само с препоръчаното предпазно оборудване. Вижте *Технически данни на страница 347*.

### Ножове

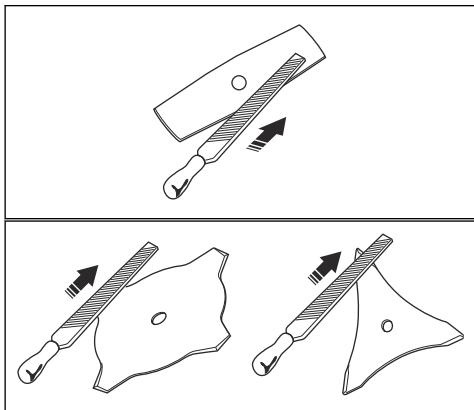
- Използвайте продукта с одобрен резец. Не използвайте резец, без да са точно монтирани всички необходими части. Уверете се, че монтажът е изпълнен правилно и че са използвани точните части. В резултат на неточния монтаж резецът може да отхвъркне и да нарани сериозно оператора или страничните наблюдатели.
- Носете предпазни очила, когато боравите с резаца или извършвате поддръжка.
- Използвайте защита за глава, когато работите с продукт, който има резец.
- Резецът може да причини нараняване, когато се върти, след като двигателят е спрял или регулаторът за газа е освободен. Уверете се, че резецът е напълно спрял да се върти, преди да извършите поддръжка.
- Винаги спирайте двигателя преди работа по някоя част от режещото оборудване. Уверете се, че режещото оборудване е напълно спряло. Разединете кабела от запалителната свещ.
- Поддържайте режещите зъбци на ножа правилно заточени.



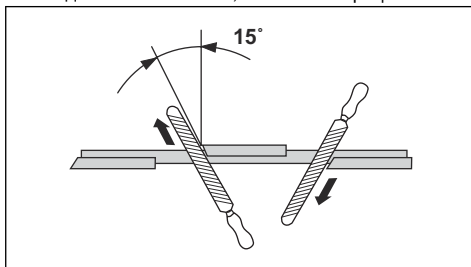
- Не използвайте повредено режещо оборудване.
- Поставете защита при транспортиране на резаца при транспортиране или съхранение на продукта.

### Заточване на резци за трева и резци за косене

- Заточете всички ръбове на резците за трева и резците за косене еднакво, за да се запази балансът. Използвайте плоска пила.

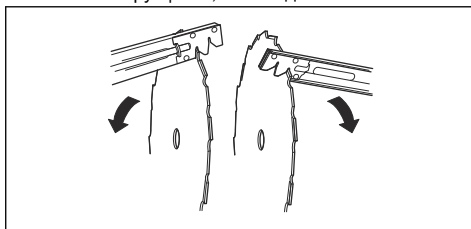


- Заточете единия зъб от циркуляра отдясно и след това зъба отляво, вижте илюстрацията.



**Забележка:** Заточете краищата на зъбите с плоска пила, ако ножът е много износен. Продължете да заточвате с кръгла пила.

- Заточете равномерно всички краища за поддържане на баланса на ножа.
- Регулирайте ножа на 1 mm (0,04 инча) с препоръчителния инструмент за чапразене. Вижте инструкциите, които идват с ножа.



### За заточване на циркуляра

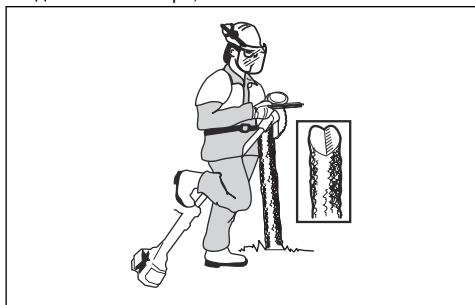


**ПРЕДУПРЕЖДЕНИЕ:** Спрете двигателя. Използвайте защитни ръкавици.

- За правилно заточване на ножа направете справка с инструкциите, които идват с него.
- Уверете се, че продуктът и ножът имат достатъчна опора, когато ги заточвате.



**ПРЕДУПРЕЖДЕНИЕ:** Винаги изхвърляйте повреден нож. Не се опитвайте да изправите огънат нож и да го използвате отново.

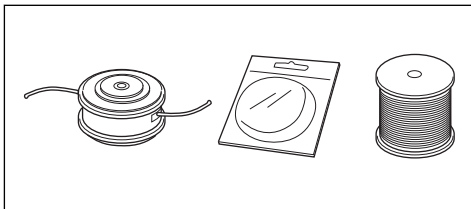


### Тримерна глава



**ПРЕДУПРЕЖДЕНИЕ:** Винаги се уверявайте, че кордата на тримера е навита плътно и равномерно около барабана, за да се предотврати вредна вибрация.

- Използвайте кръгла пила 5,5 mm (7/32 инча) с държач за нея.



- Използвайте само препоръчаните тримерни глави и тримерни корди.

- Използвайте само препоръчаното режещо оборудване.
- По-малките машини изискват малки тримерни глави и обратно.
- Дължината на кордата на тримера е важна. По-дългата корда изисква по-голяма мощност на двигателя отколкото късата корда със същия диаметър.
- Уверете се, че резецът на предпазителя на тримера не е повреден. Това реже кордата на тримера до правилната дължина.
- Накиснете кордата на тримера във вода за няколко дни преди употреба, за да увеличите продължителността на работния ресурс.

## Безопасност при работа с гориво

- Не включвайте продукта, ако върху него има гориво или моторно масло. Отстранете нежеланото гориво/масло и оставете продукта да изсъхне. Отстранете нежеланото гориво от продукта.
- Ако разлеете гориво по дрехите си, сменете ги незабавно.
- Внимавайте да не попадне гориво върху тялото Ви, това може да доведе до телесни увреждания. Ако гориво попадне върху тялото Ви, използвайте сапун и вода, за да го отстраните.
- Не стартирайте двигателя, ако разлеете масло или гориво върху продукта или тялото си.
- Не стартирайте продукта, ако от двигателя има теч. Проверявайте редовно двигателя за течове.
- Внимавайте с горивото. Горивото е запалимо, изпаренията са взривоопасни и могат да причинят телесни увреждания или смърт.
- Не вдишвайте горивните изпарения, това може да доведе до телесни увреждания. Уверете се, че има достатъчен въздушен поток.
- Не пушете близо до горивото или двигателя.
- Не поставяйте топли предмети близо до горивото или двигателя.
- Не добавяйте гориво, когато двигателят работи.
- Уверете се, че двигателят е изстинал преди зареждане с гориво.
- Преди зареждане с гориво отворете бавно капачката на резервоара за гориво и освободете внимателно налягането.
- Не добавяйте гориво към двигателя на закрито. Недостатъчният въздушен поток може да доведе до нараняване или смърт поради задушаване или въглероден окис.
- Затегнете внимателно капачката на резервоара за гориво или може да възникне пожар.
- Преди да включите двигателя, преместете продукта на най-малко 3 m (10 ft) от мястото, където сте заредили резервоара.
- Не препълвайте резервоара за гориво.
- Уверете се, че няма течове, когато местите продукта или резервоара за гориво.
- Не поставяйте продукта или резервоара за гориво на място, където има открит огън, искри или постоянна малка горелка. Уверете се, че в зоната за съхранение няма открит огън.
- При преместване или съхранение на гориво използвайте само одобрени за целта контейнери.
- Изпразнете резервоара за гориво преди дългосрочно съхранение. Спазвайте местните закони за това къде да изхвърляте горивото.
- Почистете продукта преди дългосрочно съхранение.
- Отстранете проводника на запалителната свещ, преди да оставите продукта за съхранение, за да се уверите, че двигателят няма случайно да се включи.

## Инструкции за безопасност за поддръжка

- Ако не можете да регулирате оборотите на празния ход, за да накарате режещото оборудване да спре, консултирайте се с Вашия сервизен център. Не използвайте продукта, преди да е правилно регулиран или ремонтиран.

## Монтиране



**ПРЕДУПРЕЖДЕНИЕ:** Прочетете главата за безопасност преди сглобяване на продукта.



**ПРЕДУПРЕЖДЕНИЕ:** Отстранете кабела на запалителната свещ от запалителната свещ, преди да сглобите продукта.

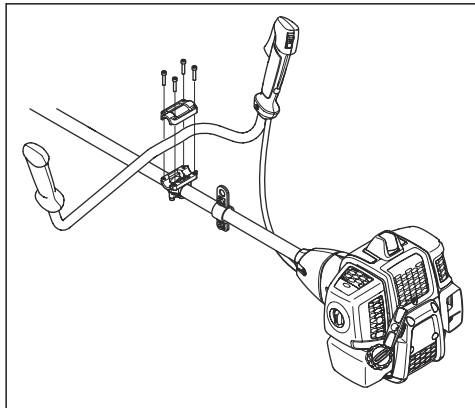
## Въведение



**ПРЕДУПРЕЖДЕНИЕ:** Преди сглобяване на продукта трябва да прочетете и разберете главата за безопасност.

## Монтиране на управлението

1. Монтирайте управлението върху монтажната конзола, както е показано.



## Монтиране на ножове и тримерни глави



### ПРЕДУПРЕЖДЕНИЕ:

Използвайте само одобрен предпазител за ножовете. Вижте *Технически данни на страница 347*. Дефектният предпазител може да причини нараняване.

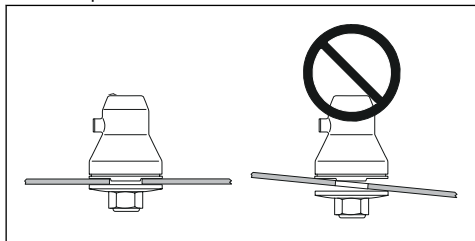


**ПРЕДУПРЕЖДЕНИЕ:** Ако ще работите с продукта с резец за косене, първо монтирайте правилното управление, предпазния щит на резеца и самара.



**ПРЕДУПРЕЖДЕНИЕ:** Ако не монтирате ножовете правилно, това може да доведе до нараняване.

1. Уверете се, че повдигнатата секция на задвижващия диск/опорния фланец попада правилно в централния отвор на ножовете.
2. Монтирайте ножовете.



## За да монтирате предпазния щит на резеца, резеца за косене и резеца за трева

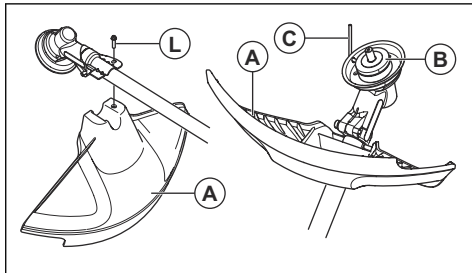


**ВНИМАНИЕ:** Използвайте само одобрен предпазител за ножовете. Вижте инструкцията за експлоатация.



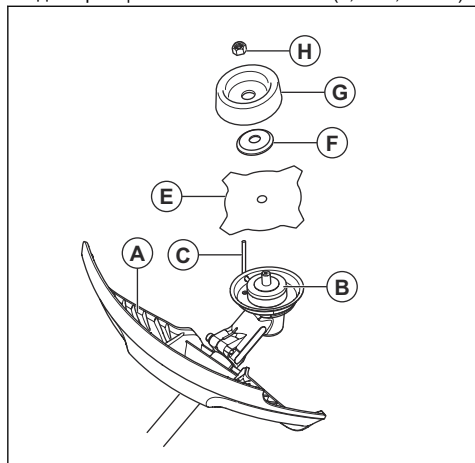
**ВНИМАНИЕ:** Уверете се, че защитният удължител е отстранен.

1. Поставете предпазния щит на резеца/предпазителя на режещото оборудване (A) върху двусекционния вал и го затегнете с болта (L).



2. Монтирайте задвижващия диск (B) върху изходния вал.
3. Завъртете изходния вал, докато един от отворите в задвижващия диск се изравни със съответния отвор в корпуса на скоростната кутия.
4. Поставете шплинта (C) в отвора, за да заключи двусекционния вал.
5. Поставете резеца (E), опорния фланец (F) и сферичната опора (G) на изходния вал.

- Монтирайте гайката (H). Дръжте двусекционния вал на гаечния ключ по възможност по-близо до предпазния щит на резеца. За да затегнете гайката, трябва да завъртите гаечния ключ в посока, обратна на въртенето. Затягвайте гайката до въртящ момент от 35 – 50 Н.м (3,5 – 5,0 кгс.м).

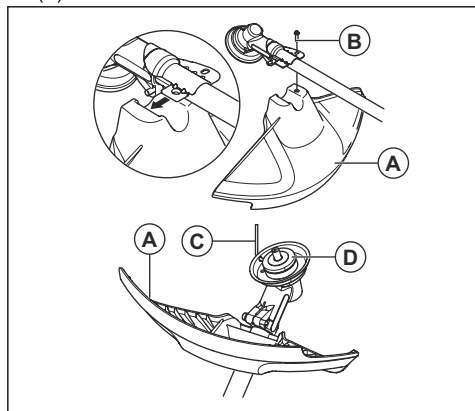


**Забележка:** Лева резба.

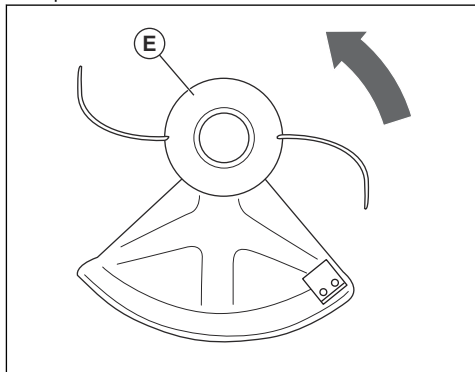
### За поставяне на защитата на тримера и тримерната глава

**Забележка:** Не забравяйте да използвате правилната защита на тримера за правилната тримерна глава.

- Прикачете правилната защита на тримера/комбинирана защита (A) за тримерната глава.
- Монтирайте защитата на тримера/комбинираната защита около вала и я затегнете с болта (B). Използвайте шплинта или шестостенния ключ (C).



- Поставете шплинта или шестостенния ключ (C) в канала върху главата на винта и затегнете.
- Прикачете задвижващия диск (D) върху изходния вал.
- Завъртете изходния вал, докато един от отворите в задвижващия диск се подравни със съответния отвор в корпуса на скоростната кутия.
- Монтирайте шплинта или шестостенния ключ (C) в отвора, за да фиксирате вала.
- Сглобете тримерната глава/пластмасовите ножове (E). Завъртете тримерната глава/пластмасовите ножове обратно на часовниковата стрелка.



- За да разглобите, следвайте инструкциите в обратен ред.

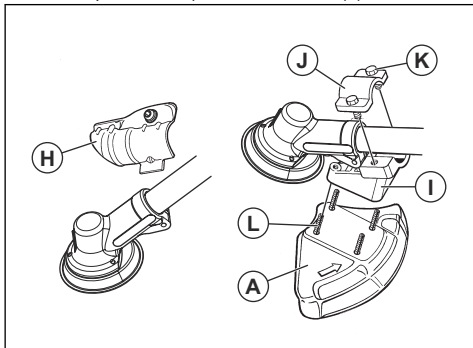
### За поставяне на предпазен щит на резеца и циркуляр



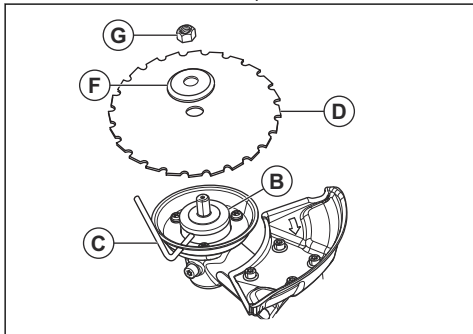
**ВНИМАНИЕ:** Използвайте само одобрен предпазител за ножовете. Вижте *Технически данни на страница 347.*

- Свалете монтажната планка (H).
- Монтирайте адаптера (I) и скобата (J) с двата винта (K).

3. Монтирайте предпазния щит на резаца (А) към адаптера с помощта на 4-те винта (L).

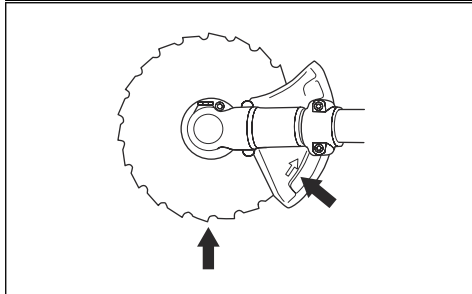
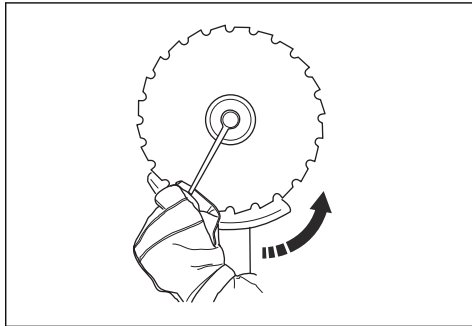


4. Монтирайте задвижващия диск (В) върху изходния вал.
5. Завъртете вала на ножа, докато един от отворите в задвижващия диск се изравни със съответния отвор в корпуса на скоростната кутия.
6. Поставете шплинта (С) в отвора, за да се фиксира вала.
7. Поставете ножа (D) и опорния фланец (F) върху изходния вал.
8. Монтирайте гайката (G). Гайката трябва да е затегната до въртящ момент на затягане от 35–50 Н.м (3,5 – 5 кгс.м). Използвайте глухия гаечен ключ от комплекта инструменти. Хванете дръжката на ключа колкото е възможно по-близо до предпазния щит на ножа. За да затегнете гайката, завъртете ключа в противоположната посока на посоката на въртене.



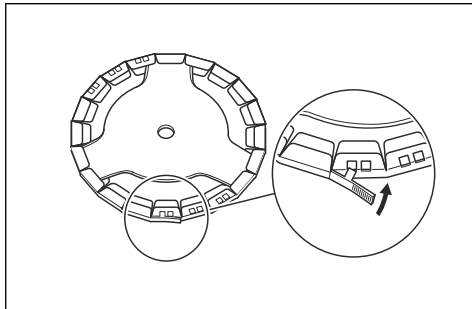
**Забележка:** Лева резаба.

9. При разхлабване и затягане на гайката на резаца за сечене, съществува риск от нараняване от зъбите на резаца за сечене. Затова винаги се уверявайте, че ръката Ви е защитена от предпазния щит на резаца. Използвайте винаги глух гаечен ключ с достатъчно дълга дръжка, който дава възможност за това. Стрелката на рисунката показва участъкът, където трябва да бъде разположен глухият гаечен ключ при разхлабване или затягане.



### За закрепване на защитата при транспортиране

1. Поставете защитата при транспортиране върху ножа, както е показано на илюстрацията.





## Регулиране на самара

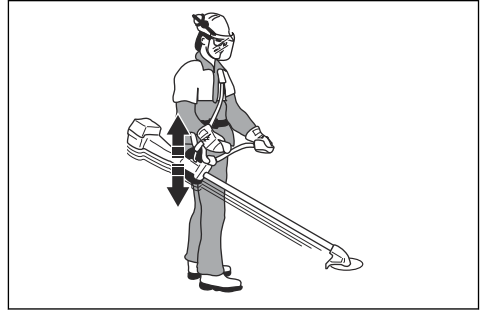


**ПРЕДУПРЕЖДЕНИЕ:** Продуктът трябва винаги да бъде правилно закачен за самара. Ако не е, няма да можете да управлявате продукта безопасно и в резултат на това може да нараните себе си или други хора. Не използвайте дефектен самар. Не използвайте самар с дефектно бързо откопчаване.

1. Поставете самара.
2. Свържете продукта със самара.
3. Регулирайте самара за най-добро работно положение.
4. Регулирайте страничните ремъци, за да разпределите равномерно теглото на продукта върху раменете си.



5. Регулирайте самара, докато режещото оборудване застане успоредно на земята.



6. Оставете режещото оборудване леко подпряно на земята. Регулирайте скобата на самара, за да балансирате правилно продукта.

**Забележка:** Ако използвате резец за косене, той трябва да балансира на около 10 cm/4 in над земята.

## Експлоатация



**ПРЕДУПРЕЖДЕНИЕ:** Прочетете и разберете раздела с инструкции за безопасност преди работа с продукта.

### Въведение



**ПРЕДУПРЕЖДЕНИЕ:** Преди работа с продукта трябва да прочетете и разберете главата за безопасност.

### Гориво

Този продукт разполага с двутактов двигател.



**ВНИМАНИЕ:** Неподходящият тип гориво може да доведе до повреда на двигателя. Използвайте смес от бензин и масло за двутактови двигатели.

### Предварително смесено гориво

- За постигане на оптимални работни характеристики и за удължаване на срока на експлоатация на двигателя използвайте предварително смесено алкилатно гориво на

McCulloch. Това гориво съдържа по-малко вредни химикали в сравнение с обикновеното гориво и това намалява вредните отработени газове. С това гориво количеството остатъци след изгарянето е по-ниско, което запазва компонентите на двигателя по-чисти.

### За изготвяне на горивна смес

#### Бензин

- Използвайте качествен безоловен бензин с максимално съдържание на етанол 10%.



**ВНИМАНИЕ:** Не използвайте бензин с октаново число по-малко от 90 RON/87 AKI. Използването на по-ниско октаново число може да доведе до детонационно горене в двигателя, което предизвиква повреда в него.

### Масло за двутактов двигател

- За постигане на най-добри резултати и работни характеристики използвайте масло за двутактови двигатели на McCulloch.

- Ако не разполагате с масло за двутактови двигатели на McCulloch, използвайте друго висококачествено масло за двутактови двигатели, разработено за двигатели с въздушно охлаждане. Говорете с дистрибутора по сервизното обслужване за избор на точното масло.



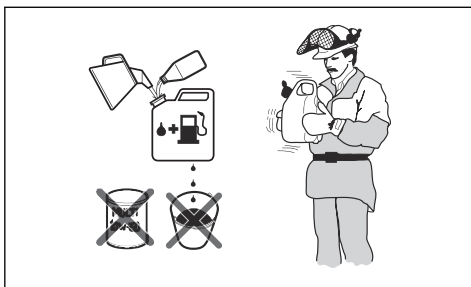
**ВНИМАНИЕ:** Не използвайте масло за извънбордови двутактови двигатели с водно охлаждане, понякога наричано извънбордово масло. Не използвайте масло за четиритактови двигатели.

#### Смесване на бензин и масло за двутактов двигател

Бензин, литри	Масло за двутактов двигател, литри
	<b>2% (50:1)</b>
5	0,10
10	0,20
15	0,30
20	0,40
Галони на САЩ	САЩ fl. oz.
1	2 ½
2 1/2	6 ½
5	12 ¾



**ВНИМАНИЕ:** Малки грешки могат да повлияят драстично на съотношението в сместа, когато смесвате малки количества гориво. Измервайте внимателно количеството масло, за да сте сигурни, че ще получите правилната смес.



1. Налейте половината гориво в чист съд за гориво.

2. Добавете цялото количество масло.
3. Разклатете горивната смес.
4. Долейте останалото количество бензин в съда.
5. Разклатете внимателно горивната смес.



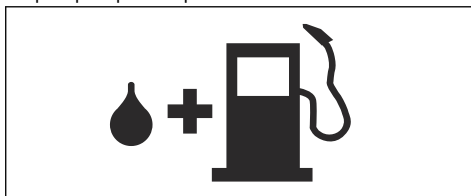
**ВНИМАНИЕ:** Не смесвайте количество гориво, което ще престои повече от 1 месец.

#### Пълнене на резервоара за гориво



**ПРЕДУПРЕЖДЕНИЕ:** Спазвайте следната процедура за Ваша безопасност.

1. Спрете двигателя и го оставете да се охлади.
2. Почистете областта около капачката на резервоара за гориво.



3. Разклатете контейнера и се уверете, че горивото е напълно смесено.
4. Отстранете бавно капачката на резервоара за гориво, за да освободите налягането.
5. Напълнете резервоара за гориво.



**ВНИМАНИЕ:** Уверете се, че в резервоара за гориво няма твърде много гориво. Когато се нагрее, горивото се разширява.

6. Затегнете капачката на резервоара за гориво внимателно.
7. Почистете разлятото гориво върху продукта и около него.
8. Преди стартиране на двигателя преместете продукта на 3 m/10 ft или повече от мястото, където се извършва зареждането с гориво и където се намира източникът на горивото.

**Забележка:** За местоположението на резервоара за гориво на Вашия продукт направете справка с *Общ преглед на продукта на страница 323*.

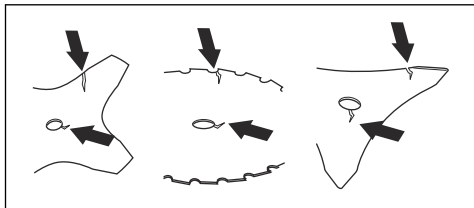
#### За стартиране и спиране

##### Преди да започнете работа с продукта

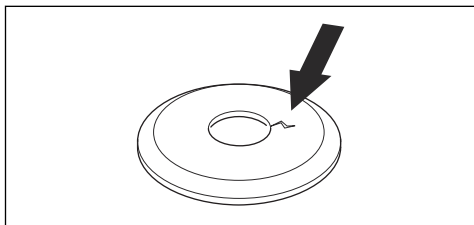
- Прегледайте работната зона, за да се уверите, че познавате типа на терена, наклона на земята

и дали има някакви препятствия като камъни, клони и канавки.

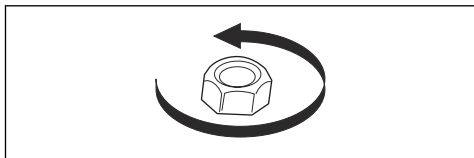
- Извършете цялостна инспекция на продукта.
- Извършете инспекциите за безопасност, техническо обслужване и обслужване, които са посочени в това ръководство.
- Уверете се, че всички капаци, предпазители, ръкохватки и режещо оборудване са правилно закрепени и не са повредени.
- Уверете се, че няма пукнатини в долната част на циркуляра или зъбите на резаца за косене или до централния отвор на ножа. Подменете ножа, ако е повреден.



- Проверете опорния фланец за пукнатини. Сменете опорния фланец, ако е повреден.

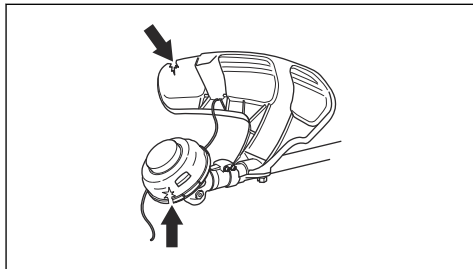


- Уверете се, че контрагайката не може да бъде извадена с ръка. Ако можете да я извадите с ръка, тя не заключва достатъчно режещото оборудване и трябва да я смените.



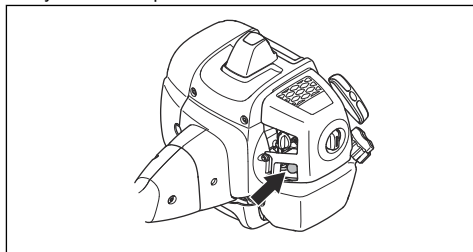
- Проверете предпазния щит на резаца за повреди или пукнатини. Подменете предпазния щит на резаца, ако е бил ударен или ако по него има пукнатини.
- Проверете тримерната глава и предпазителя на режещото оборудване за повреди и пукнатини. Подменете тримерната глава и предпазителя на

режещото оборудване, ако са били ударени или ако по тях има пукнатини.

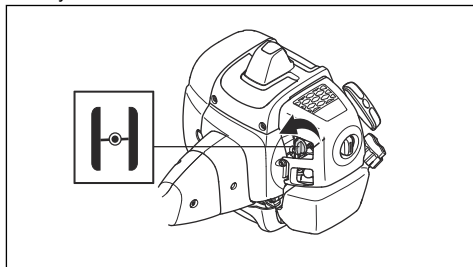


### За стартиране на двигателя

1. Поставете продукта върху равна и стабилна повърхност. Дръжте режещото оборудване над земята.
2. Натискайте многократно купола на горивната помпа, докато горивото не започне да изпълва купола. Не е необходимо да се пълни докрай куполът на горивната помпа.



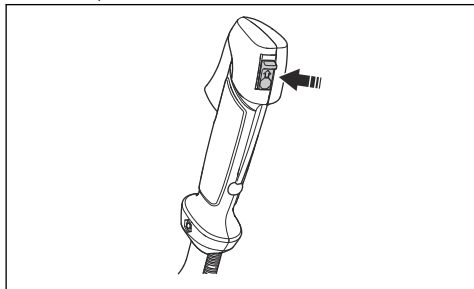
3. Преместете лоста на смукача в позиция със смукач.



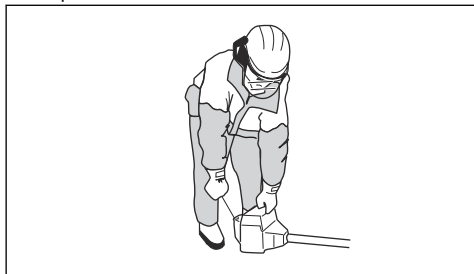
### ПРЕДУПРЕЖДЕНИЕ:

Режещото оборудване започва да се върти веднага щом стартирате двигателя със смукача.

4. Задайте превключвателя за стартиране/спиране в позиция за РАБОТА.



5. Дръжте корпуса на продукта на земята с лявата си ръка.



6. Дръжте дръжката на стартерното въже с дясната си ръка.
7. Изтеглете бавно стартерното въже с дясната си ръка до положение, в което усещате съпротивление.



**ПРЕДУПРЕЖДЕНИЕ:** Не навивайте стартерното въже около ръката си.

8. Дръпнете шнура бързо и силно. Дърпайте стартерното въже отново и отново, докато двигателят запали.

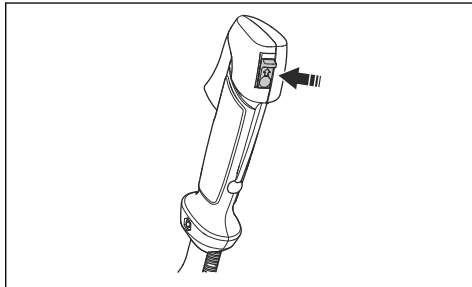


**ВНИМАНИЕ:** Не бива да се издърпва изцяло стартерното въже и да се отпусна ръкохватката на стартера, когато въжето е напълно изтеглено. Това може да повреди продукта.

9. Когато двигателят запали, върнете смукача.
10. Когато двигателят запали, постепенно натиснете газта.
11. Уверете се, че двигателят работи плавно и оставете двигателя да се загрее 1 – 2 минути преди работа.

## Спиране на продукта

- Натиснете превключвателя за спиране, за да спрете двигателя.



## Откат на резеца

- Откат на резеца е внезапно движение на продукта настрани, напред или назад. Откат на резеца настъпва, когато резецът за косене удари предмет, който не може да бъде отрязан. В области, където не е лесно да се вижда рязаният материал, опасността от откат на резеца нараства.
- При откат на резеца съществува опасност продуктът или операторът да се отместят. Отместеният резец може да удари страничните наблюдатели и съществува опасност от нараняване.
- Ако един резец е огънат, напукан, счупен или повреден, го изхвърлете.
- Използвайте заточен резец. Опасността от откат на резеца нараства, когато той не е наточен.

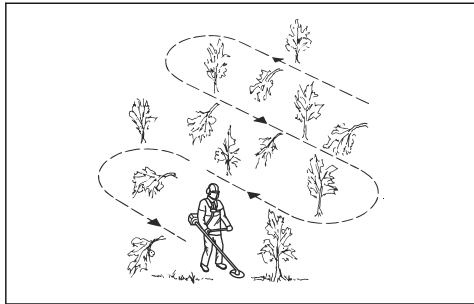
## Основни инструкции за работа



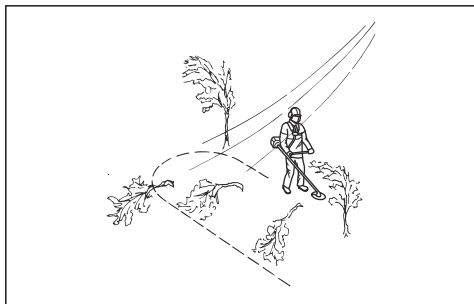
**ПРЕДУПРЕЖДЕНИЕ:** Бъдете внимателни, когато режете дърво, което е под напрежение. То може да отскочи в нормалното си положение преди или след изрязването и да удари Вас или продукта и да причини нараняване.

- Освободете отворено пространство в единия край на работната зона и започнете работата от там.

- Движете се в постоянна линия в работната зона.



- Движете продукта докрай наляво и надясно, за да прочистите ширина от 4 – 5 m при всеки ход.
- Изчистете дължина от 75 m, преди да се обърнете и да се върнете. Местете тубата с гориво с Вас, докато продължавате.
- Движете се в посока, в която вятърът позволява изрязаната растителност да пада в прочистената зона.



- Движете се по наклони, а не нагоре и надолу.

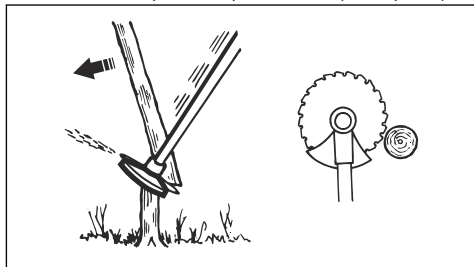
## Прочистяване на горски участъци с циркуляр

### За поваляне на дърво наляво

За да повалите наляво, натиснете долната част на дървото надясно.

1. Приложете пълна газ.
2. Поставете циркуляра до дървото, както е посочено на снимката.

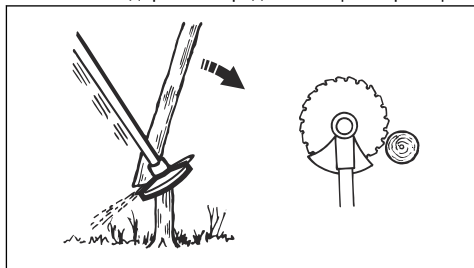
3. Наклонете циркуляра и го натиснете със сила пряко надолу и надясно. Едновременно с това натиснете дървото с предпазния щит на реза.



### За поваляне на дърво надясно

За да повалите надясно, натиснете долната част на дървото наляво.

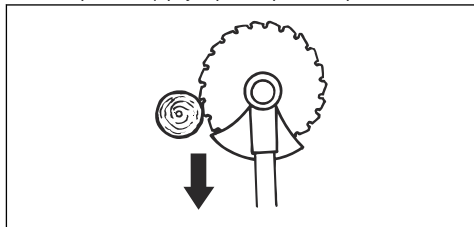
1. Приложете пълна газ.
2. Поставете циркуляра до дървото, както е посочено на снимката.
3. Наклонете циркуляра и го натиснете със сила пряко нагоре и надясно. Едновременно с това натиснете дървото с предпазния щит на реза.



### Поваляне на дърво напред

За поваляне напред натиснете долната част на дървото назад.

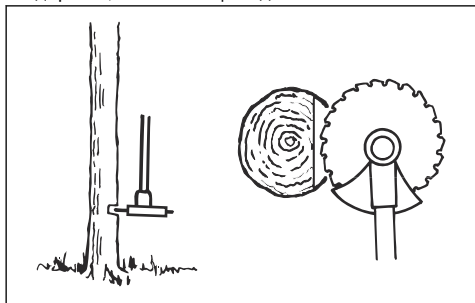
1. Приложете пълна газ.
2. Поставете циркуляра до дървото, както е посочено на снимката.
3. Издърпайте циркуляра напред с бързо движение.



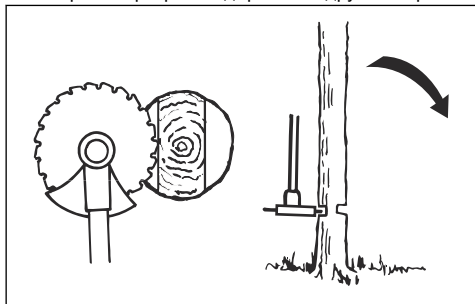
### Поваляне на големи дървета

Големите дървета трябва да се режат от 2 страни.

1. Определете първо в каква посока ще падне дървото.
2. Приложете пълна газ.
3. Направете първия разрез от страната на дървото, към която ще падне.



4. Направете разрез на дървото от другата страна.



**ВНИМАНИЕ:** Ако циркулярът блокира, не дърпайте продукта с рязко движение. Така може да повредите циркуляра, ъгловата зъбна предавка, вала или управлението. Отпуснете ръкохватките, хванете с 2 ръце двусекционния вал и бавно изтеглете продукта.

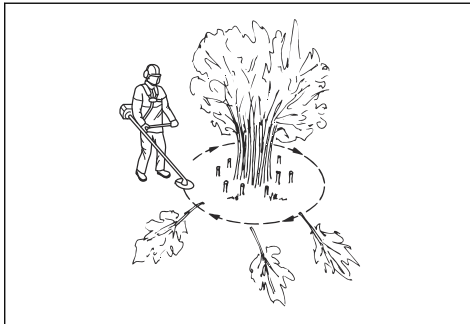
**Забележка:** За поваляне на малки дървета използвайте повече натиск при рязане. За поваляне на големи дървета използвайте по-малко натиск при рязане.

## Рязане на храсти с циркуляр

За да повалите наляво, натиснете долната част на дървото надясно.

- Изрязване на тънки дървета и храсти.
- Движете продукта от едната на другата страна.
- Режете много дървета с едно движение.

- За групи от тънки дървета:



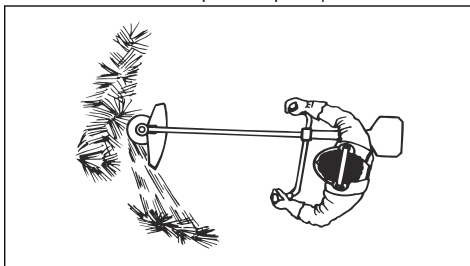
- a) Изрежете външните дървета, които са нависоко.
- b) Изрежете външните дървета до правилната височина.
- c) Режете от центъра. Ако нямате достъп до центъра, изрежете външните дървета нависоко и ги оставете да паднат. Това намалява опасността циркулярът да блокира.

## Косене на трева с помощта на резец за косене



**ВНИМАНИЕ:** Не използвайте резци за косене и ножове за трева на дървета. Използвайте резци за косене и ножове за трева единствено за дълга или тежка трева.

- Движете продукта от едната на другата страна.
- Започнете движението от дясно наляво, когато режете. Движете продукта надясно, преди да изрежете отново.
- Режете с лявата страна на резеца за косене.



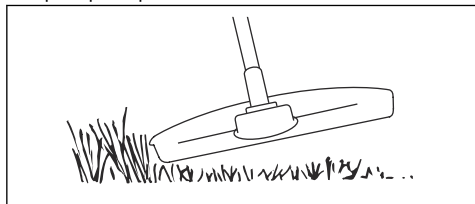
- Завъртете резеца за косене наляво, за да позволите на тревата да падне в една линия. Това улеснява събирането на тревата.
- Застанете стабилно с лек разкряч.
- Движете се напред след всяко движение надясно и се уверете, че сте застанали стабилно, преди да започнете отново за режете.

- Поддържайте сферичната опора с лек натиск към земята, за да се уверите, че резецът за косене не се удря в земята.
- Спазвайте тези инструкции, за да намалите опасността от увиване на отрязан материал около резеца за косене:
  - а) Приложете пълна газ.
  - б) Не движете резеца за косене през изрязания материал, когато движите продукта от ляво надясно.
- Преди да съберете отрязания материал, спрете двигателя и отстранете продукта от самара. Поставете продукта на земята.

## Дооформяне на трева с тримерна глава

### Кастрене на трева

1. Дръжте тримерната глава непосредствено над земята под ъгъл. Не натискайте кордата на тримера в тревата.



2. Намалете дължината на кордата на тримера с 10 – 12 cm/4 – 4,75 in.
3. Намалете оборотите на двигателя, за да понижите опасността от увреждане на растенията.
4. Използвайте 80% газ, когато режете трева близо до обекти.



### За да почистите затревени зони

1. Придържайте тримерната глава над земята.
2. Наклонете тримерната глава.
3. Окосете с края на кордата на тримера около обектите в работната зона.



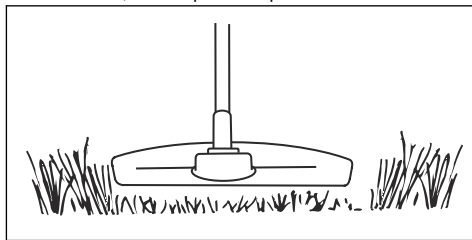
**ВНИМАНИЕ:** Косете само тревата. Удрянето на кордата на

тримера в други обекти увеличава износването на кордата.

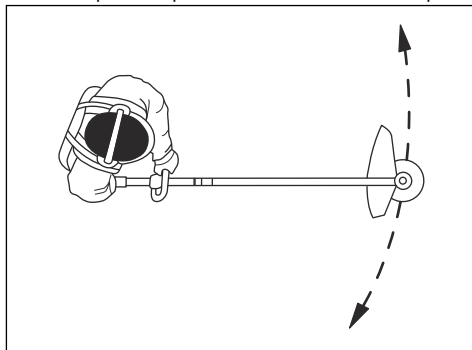
4. Използвайте 80% от оборотите, когато почиствате затревени зони или растителност. По този начин се намалява износването на тримерната глава и на кордата на тримера.

## Рязане на трева

1. Уверете се, че кордата на тримера е успоредна на земята, когато режете тревата.



2. Не натискайте тримерната глава към земята. Това може да повреди продукта.
3. Движете продукта от едната към другата страна, когато режете трева. Работете на пълни обороти.



## За почистване на трева

Въздушният поток от кордата на въртящия се тример може да се използва за отстраняване на отрязана трева от зоната.

1. Хванете тримерната глава и кордата на тримера успоредно на земята и над земята.
2. Приложете пълна газ.
3. Движете тримерната глава от едната страна до другата и почиствайте тревата.



## ПРЕДУПРЕЖДЕНИЕ:

Почиствайте капака на тримерната глава всеки път, когато монтирате нова корда на тримера, за да предотвратите нарушаване на баланса и вибрации в ръкохватките. Освен това извършете

проверка на другите части на тримерната глава и я почистете, ако е необходимо.

## Поддръжка

### Въведение

безопасност, преди да започнете техническо обслужване на продукта.



**ПРЕДУПРЕЖДЕНИЕ:** Прочетете и разберете главата с инструкции за

### График за техническо обслужване

Техническо обслужване	Еже-дневно	Всяка седмица	Всеки месец
Почистете външната повърхност.	X		
Проверете самара за повреди.	X		
Извършете проверка на блокировката на регулатора за газта и на регулатора за газта. Вижте <i>За проверка на блокировката на регулатора на газта на страница 328.</i>	X		
Проверете дръжката и управлението за повреди и се уверете, че са правилно закрепени.	X		
Проверете превключвателя за спиране. Вижте <i>За проверка на превключвателя за спиране на страница 328.</i>	X		
Уверете се, че режещото оборудване не се върти при обороти на празен ход.	X		
Почистете въздушния филтър. Сменете я при повреда.	X		
Проверете предпазителя на режещото оборудване за повреда и пукнатини.	X		
Уверете се, че циркулярът или резецът за косене е закрепен правилно. Уверете се, че циркулярът или резецът за косене е остър и не е повреден.	X		
Проверете тримерната глава за повреди и пукнатини. Сменете я при повреда.	X		
Затегнете контрагайката изцяло за режещо оборудване с контрагайка.	X		
Проверете защитата при транспортиране за повреда и се уверете, че можете правилно да я закрепите.	X		
Затегнете гайките и винтовете.	X		
Проверете двигателя, резервоара за гориво и горивните линии за течове.	X		
Проверете стартера и въжето за стартиране за повреди.		X	
Проверете запалителната свещ. Вижте <i>За проверка на запалителната свещ на страница 347.</i> Сменете запалителната свещ, ако е необходимо. Уверете се, че към запалителната свещ има монтиран супресор.		X	
Почистете външната повърхност на карбуратора и мястото около него.		X	
Уверете се, че ъгловата зъбна предавка е напълнена правилно с грес. Вижте <i>Ъглова зъбна предавка на страница 346.</i>		X	

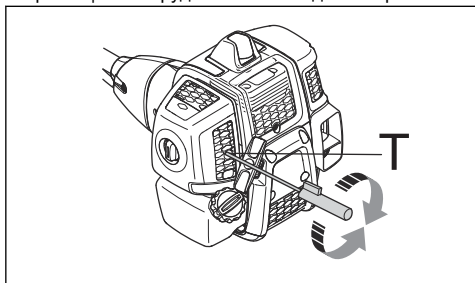


Техническо обслужване	Еже-дневно	Всяка седмица	Всеки месец
Проверете горивния филтър за замърсяване и маркуча за горивото за пукнатини и други дефекти. Сменете ги при необходимост.			X
Проверете всички кабели и връзки.			X
Подменете запалителната свещ. Уверете се, че към запалителната свещ има монтиран супресор.			X

## Регулиране на оборотите на празния ход

Игленият регулатор за високите обороти и игленият регулатор за ниските обороти са зададени за постоянно и не могат да се регулират. Оборотите на празния ход са единствената функция, която може да се регулира.

1. Стартирайте двигателя и се уверете, че е топъл, преди да започнете да регулирате оборотите на празния ход.
2. Завъртете винта за обороти на празния ход по посока на часовниковата стрелка, докато режещото оборудване започне да се върти.



3. Завъртете винта за обороти на празния ход обратно на часовниковата стрелка, докато режещото оборудване спре.
4. Оборотите на празния ход трябва да бъдат под оборотите, при които режещото оборудване започва да се върти. Оборотите на празния ход са правилни, когато двигателят работи плавно във всяко положение.

## За техническо обслужване на ауспуха

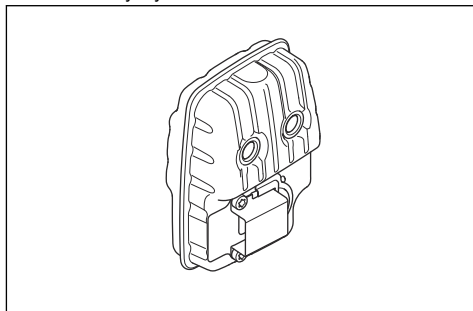
Ауспухът намалява нивото на шума и насочва отработените газове далеч от оператора.



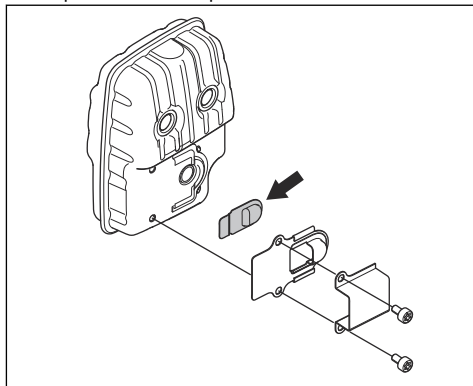
**ПРЕДУПРЕЖДЕНИЕ:** Ауспуси, които имат катализатор, се нагряват много по време на работа и остават горещи известно време след спиране на продукта. Това е валидно и за празния ход. Ако докоснете продукта, ще изгорите

кожата си. Вземайте предвид риска от пожар.

1. Спрете продукта и го оставете да се охлади.
2. Свалете ауспуха.



3. Свалете винтовете, които държат искрогасителната мрежа.



4. Почистете искрогасителната мрежа, ако е блокирана, или я сменете, ако е повредена.



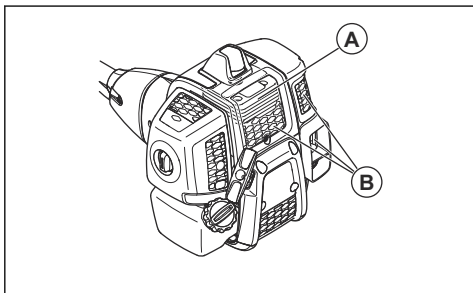
**ВНИМАНИЕ:** В случай на повреда искрогасителната мрежа трябва да бъде сменена. Не използвайте даден продукт, ако искрогасителната мрежа на ауспуха липсва или е дефектна.



**ВНИМАНИЕ:** Ако искрогасителната мрежа се запушва често, това може да е признак, че ефективността на катализатора е намалена. Обърнете се към Вашия сервизен дистрибутор за проверка на ауслуха. Запушена искрогасителна мрежа може да предизвика прегряване, което да доведе до повреда на цилиндъра и буталото.

## За почистване/поддръжка на системата за охлаждане

Този продукт разполага със система за охлаждане. Замърсената или блокирана система за охлаждане може да направи продукта твърде горещ, което може да доведе до повреждане на буталото и цилиндъра. Проверявайте и почиствате системата за охлаждане с четка веднъж седмично или по-често при повискателни условия. Системата за охлаждане има охлаждащи ребра на цилиндъра (A) и смукателния въздухопровод (B).



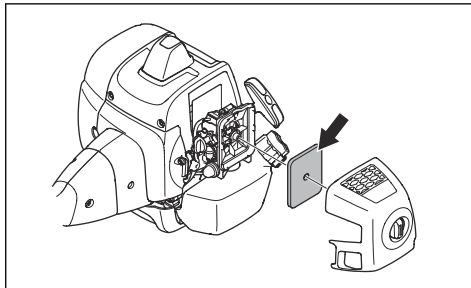
## Въздушен филтър

Мръсният въздушен филтър може да доведе до неизправност в карбуратора, проблеми при стартиране, загуба на двигателна мощност и износване на частите на двигателя. Това също така кара двигателя да използва повече гориво от необходимото. Почиствайте филтъра на интервал от 8 часа или по-често, ако продуктът работи в запрашена среда.

**Забележка:** Може да се наложи корекция на двигателя при почистване или подмяна на въздушния филтър. Вижте *Регулиране на оборотите на празния ход на страница 345*.

## За да почистите и проверите въздушния филтър

1. Свалете въздушния филтър.



2. Почиствайте филцовия въздушен филтър с въздух под налягане.

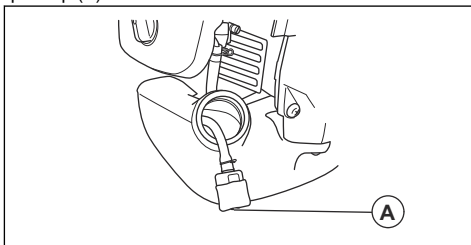


**ВНИМАНИЕ:** Сменете филцовия въздушен филтър, ако не може да се почисти напълно. Винаги сменяйте повреден филцов въздушен филтър.

3. Почистете вътрешната повърхност на капака на въздушния филтър. Използвайте състен въздух или четка.

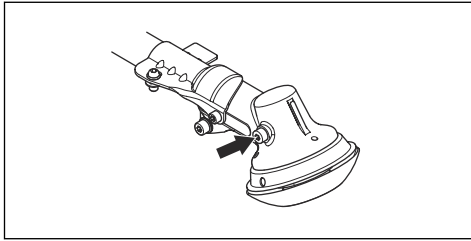
## Горивен филтър

Когато горивото на двигателя не е достатъчно за нормална работа, уверете се, че отворът за въздух на капачката на резервоара за гориво и горивният филтър (A) са чисти.



## Ъглова зъбна предавка

Ъгловата зъбна предавка е напълнена с правилното количество грес в завода. Преди да използвате продукта обаче, проверете дали ъгловата зъбна предавка е 3/4 пълна с грес. Използвайте специална грес McCulloch.



Не е необходимо да сменят греста на ъгловата зъбна предавка, освен ако не е ремонтирана.

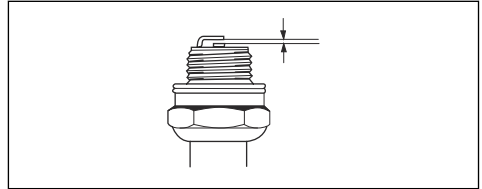
## За проверка на запалителната свещ



**ВНИМАНИЕ:** Използвайте винаги запалителните свещи от препоръчания вид. Използването на запалителна свещ от неправилен тип може да повреди продукта.

- Проверете запалителната свещ, ако двигателят е с понижена мощност, стартира трудно или работи неправомерно при обороти на празен ход.

- За да намалите опасността от попадане на нежелани материали върху електродите на запалителната свещ, следвайте тези инструкции:
  - а) Проверете дали оборотите на празния ход са правилно регулирани.
  - б) Уверете се, че горивната смес е правилна.
  - в) Уверете се, че въздушният филтър е чист.
- Ако запалителната свещ е замърсена, почистете я и проверете дали разстоянието между електродите е правилно, направете справка с *Технически данни на страница 347.*



- Сменете запалителната свещ, ако е необходимо.

## Технически данни

	B40 B Elite	B40 BT Elite
<b>Двигател</b>		
Обем на цилиндъра, cm <sup>3</sup>	40,1	40,1
Диаметър на цилиндъра, Ø mm	40,5	40,5
Дължина на хода на цилиндъра, mm	31,1	31,1
Обороти на празния ход, об/мин	3000	3000
Препоръчвани макс. обороти, об/мин	12 000	12 000
Скорост на изходния вал, об/мин	8220	8220
Макс. мощност на двигателя съгласно ISO 8893, kW при об/мин	1,5 при 9000	1,5 при 9000
<b>Запалителна система</b>		
Запалителна свещ	NGK CMR7H-10	NGK CMR7H-10
Разстояние между електродите, mm	0,9 – 1,0	0,9-1,0
<b>Горивна и смазочна система</b>		
Производител/тип на карбуратора	Ruixing H225D-	Ruixing H225D-
Вместимост на резервоара за гориво, l/cm <sup>3</sup>	1/1000	1/1000
<b>Тегло</b>		
Без гориво, режещо оборудване и предпазител, kg	7,3	7,4

	B40 B Elite	B40 BT Elite
<b>Шумови емисии<sup>37</sup></b>		
Ниво на звуковата мощност, измерена в dB(A)	112	112
Ниво на звуковата мощност, гарантирана L <sub>WA</sub> dB(A)	118	118
<b>Нива на звука<sup>38</sup></b>		
Еквивалентно ниво на звуково налягане при ухото на оператора, измерено съгласно EN ISO 11806 и ISO 22868, dB(A), мин./макс.		
Оборудван с тримерна глава (оригинална)	100	100
Оборудван с нож за косене (оригинален)	99	99
Оборудван с циркуляр (оригинален)	–	99
<b>Нива на вибрациите<sup>39</sup></b>		
Еквивалентни нива на вибрациите (a <sub>hν,eq</sub> ) върху ръкохватките, измерени съгласно EN ISO 11806 и ISO 22867, m/s <sup>2</sup>		
Оборудван с тримерна глава (оригинална), лява/дясна	3,4/4,4	3,4/4,4
Оборудван с резец за косене (оригинален), ляв/десен	5,2/5,1	5,2/5,1
Оборудван с циркуляр (оригинален), ляво/дясно	–	4,5/4,2

B40 B Elite, B40 BT Elite		
Одобрени приспособления	Тип	Предпазител на режещо оборудване, арт. №
Централен отвор в ножове/резци, Ø 25,4 mm		
Изходен вал, резба M12		
Нож за трева/резец за трева	Резец за трева 255-4 1" (Ø 255, 4 зъба)	580 30 50-01
	Резец за косене 255-3 (Ø 255, 3 зъба)	580 30 50-01
Циркулярен диск	Циркуляр 200-22 (ø 200, 22 зъба)	581 33 84-01
Тримерна глава	P35	580 30 50-01

<sup>37</sup> Емисии на шума в околната среда, измерени като звукова мощност (L<sub>WA</sub>) в съответствие с директива на ЕО 2000/14/ЕО. Отчетените нива на шума за машината са измерени с оригиналното режещо оборудване, което дава най-високото ниво. Разликата между гарантираното и измереното ниво на шума е в това, че гарантираното ниво на шума включва също и дисперсията в резултатите от измерването, както и вариациите между различните машини от един и същи модел в съответствие с Директива 2000/14/ЕО.

<sup>38</sup> Отчетените данни за еквивалентно ниво на звуковото налягане имат типична статистическа дисперсия (стандартно отклонение) от 1 dB (A).

<sup>39</sup> Отчетените данни за равнището на вибрации имат типична статистическа дисперсия (стандартно отклонение) от 1 m/s<sup>2</sup>.

<b>B40 B Elite, B40 BT Elite</b>		
Сферична опора	Фиксирана	-

---

## Декларация за съответствие на ЕО

---

### Декларация за съответствие на ЕО

**Husqvarna AB**, SE-561 82 Huskvarna, Швеция, тел.: +46-36-146500, удостоверява, че тримерът **McCulloch B40 B Elite** със серийни номера от 2021 и нататък (годината е ясно обозначена върху типовата табелка, следвана от серийния номер) отговаря на изискванията в ДИРЕКТИВА НА СЪВЕТА:

- от 17 май 2006 г., "относно машините" **2006/42/ЕО**
- от 26 февруари 2014 г., "относно електромагнетичната съвместимост" **2014/30/ЕС**
- от 8 май 2000 г., "относно шумовите емисии в околната среда" **2000/14/ЕО**. Оценка за съответствие съгласно Анекс V. За информация относно шумовите емисии вижте раздел "Технически характеристики".
- от 08 юни 2011 г. "по отношение на ограничението за използване на определени опасни вещества в електрическо и електронно оборудване" **2011/65/ЕС**.

Приложени са следните стандарти:

**EN ISO 12100:2010, CISPR 12:2007+A1:2009, EN ISO 14982:2009, EN ISO 11806-1:2011, EN IEC 63000:2018**

RISE SMP Svensk Maskinprovning AB, Box 7035, SE-750 07 Uppsala, Sweden извърши доброволен типов контрол на моделите от името на Husqvarna AB. Сертификатите са с номера: **SEC/12/2339** – B40 B Elite, B40 BT Elite

RISE SMP Svensk Maskinprovning AB има и съответстващ договор спрямо приложение V от директива на съвета 2000/14/ЕО.

Huskvarna, 2020-08-25



Pär Martinsson, мениджър "Разработки и развитие"  
(оторизиран представител на Husqvarna AB и отговорник за техническата документация)

---

# TARTALOMJEGYZÉK

---

Bevezető.....	351	Karbantartás.....	371
Biztonság.....	354	Műszaki adatok.....	374
Összeszerelés.....	362	EK megfelelőségi nyilatkozat.....	377
Üzemeltetés.....	365	.....	0

---

## Bevezető

---

### Termékleírás

A termék egy belső égésű motorral működő bokorvágó.

Folyamatosan dolgozunk azon, hogy javítani tudjuk az ügyfeleink használat közbeni biztonságát és hatékonyságát. További tájékoztatásért forduljon az illetékes szakszervizhez.

### Rendeltetésszerű használat

A termékre szerelt fűrészlárcsával, fűvágó késsel vagy szegélyvágó fejjel különféle növényzetet vághat. Ne

használja a terméket fűvágástól, fűritkítástól, erdőtisztogatástól eltérő célokra. A fűrészlárcsával faszzerű növényeket vághat. A fűvágó késsel és a szegélyvágó fejjel fűvet vághat.

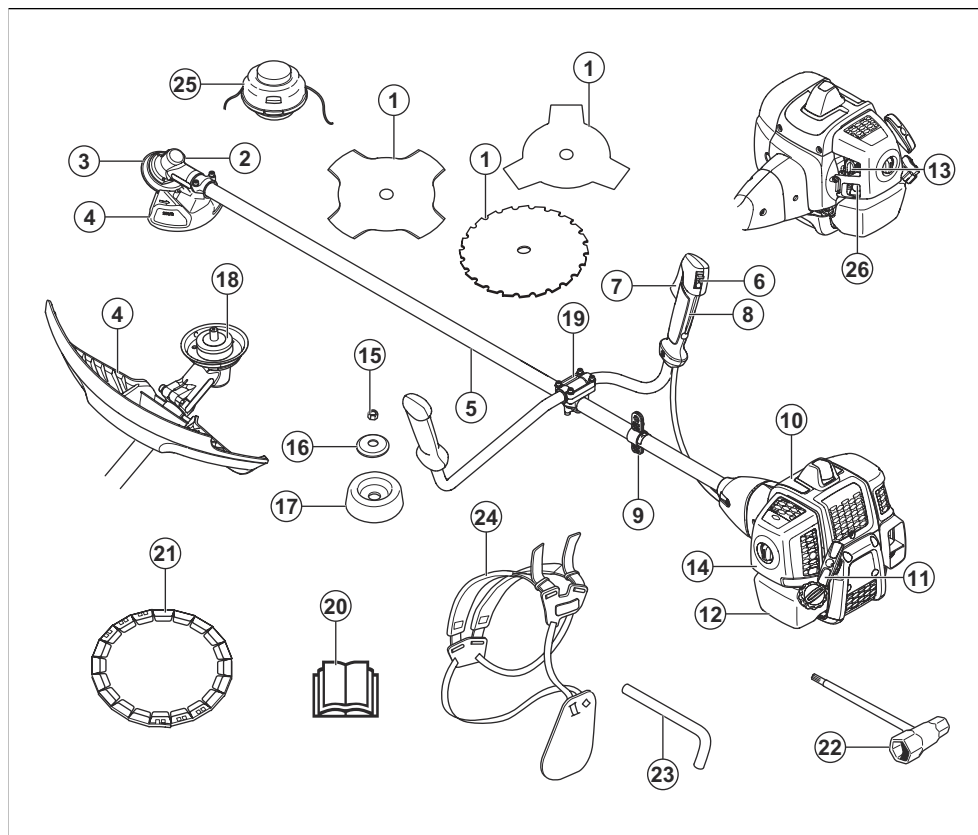
---

**Megjegyzés:** A használatot nemzeti vagy helyi előírások szabályozhatják. Tartsa be a vonatkozó előírásokat.

---

Csak a gyártó által jóváhagyott tartozékokat használjon. Lásd: *Műszaki adatok* 374. oldalon.

## A termék áttekintése



- |                                    |   |
|------------------------------------|---|
| 1. Penge (nem minden piacon)       | 19. Kormányrögítő   |
| 2. Zsírbetöltősapka, szöghajtás    | 20. Kezelői kézikönyv                                       |
| 3. Szöghajtás                      | 21. Szállítási biztosítószerkezet (nem minden piacon)       |
| 4. A vágófelszerelés védőburkolata | 22. Csőkulcs  |
| 5. Nyél                            | 23. Rögzítőcsap (imbuszkulccsal nem rendelkező termékekhez) |
| 6. Leállítókapcsoló                | 24. Heveder   |
| 7. Gázadagoló                      | 25. Damilfej  |
| 8. Gázadagoló-retesz               | 26. Üzemanyagpumpa  |
| 9. Függesztőkarika                 |   |
| 10. Hengerburkolat                 |   |
| 11. Indítófogantyú                 |   |
| 12. Üzemanyagtartály               |   |
| 13. Szívatókar                     |   |
| 14. Légszűrő fedél                 |   |
| 15. Önbiztosító anya               |   |
| 16. Támkarima                      |   |
| 17. Támasztócsésze                 |   |
| 18. Hajtótárcsa                    |   |



**FIGYELEM!** A termék veszélyes. A kezelőre és a közelben állókra is vonatkozó sérülés és halál kockázata áll fenn, amennyiben a terméket nem megfelelően és körültekintően használják. A kezelő és a közelben állók biztonságának érdekében olvassa el és



tartsa be a használati utasítás minden biztonsági utasítását.



Olvassa el figyelmesen a használati utasítást, és győződjön meg arról, hogy megértette azt, mielőtt a terméket használatba veszi.



Használjon védősisakot minden olyan helyen, ahol tárgyak hullhatnak le. Használjon jóváhagyott fülvédőt. Használjon jóváhagyott védőszemüveget.



Használjon jóváhagyott védőkesztyűt.



Használjon csúszásálló munkavédelmi bakancsot.



A termék tárgyakat repíthet szét, amelyek sérülést okozhatnak.



A kimenőtengely maximális fordulatszáma.



A termék használata közben tartson legalább 15 méteres távolságot az emberektől és az állatoktól.



Késülökés veszélye, ha a vágószerkezet akadályba ütközik. A termék akár testrészeket is levághat. A termék használata közben tartson legalább 15 méteres távolságot az emberektől és az állatoktól.



Kizárólag rugalmas vágószálat használjon. Ne használjon fém vágóelemeket. Ez a fűvágó védőburkolathoz tartozik.



A nyílak a fogantyú véghezlyezeteit mutatják.



Üzemanyagpumpa.



Töltsön be üzemanyagot.



Szívató.



A 2000/14/EK számú európai irányelvnek és New South Wales „Környezetben történő munkavégzés (zajszabályozás) szabályozása, 2017” irányelvnek megfelelő környezeti zajszennyezés. A zajszennyezésre vonatkozó adatok a gép címkején és a következő fejezetben található: *Műszaki adatok374. oldalon.*



Ez a termék megfelel a vonatkozó EK-irányelveknek.

ééééhxxxx

A típus táblán vagy a lézernyomatott jelölésen megtalálható a sorozatszám. **ééééé** a gyártási év, a **hh** pedig a gyártási hét.

**Megjegyzés:** A terméken szereplő többi jelölés/címke a további piacok specifikus vizsgáztatási követelményeire vonatkozik.

## Termékszavatosság

A termékszavatosságra vonatkozó jogszabályok értelmében nem vagyunk felelősek a termékeink által okozott károkért az alábbi esetekben:

- a termék javítását helytelenül végezték;
- a termék javítása nem a gyártótól származó vagy általa jóváhagyott alkatrészekkel történt;
- a terméket nem a gyártótól származó vagy általa jóváhagyott kiegészítővel szerelték fel;
- a termék javítását nem hivatalos szakszerviz vagy jóváhagyott egyéb szerviz végezte.

## Euro V. kibocsátási norma



**FIGYELMEZTETÉS:** A motor módosítása érvényteleníti a termékre vonatkozó európai uniós típusjóváhagyást.

# Biztonság

## Biztonsági fogalom meghatározások

Az alábbi fogalom meghatározások az egyes figyelmeztetésekhez tartozó, lehetséges veszélyek súlyosságát határozzák meg.



**FIGYELMEZTETÉS:** Személyi sérülés veszélye.



**VIGYÁZAT:** A termék károsodásának veszélye.

**Megjegyzés:** Ezek az információk a termék használatát könnyítik meg.

## Általános biztonsági utasítások



**FIGYELMEZTETÉS:** A termék használata előtt olvassa el az alábbi figyelmeztetéseket.

- A termék működés közben elektromágneses mezőt hoz létre. Ez bizonyos körülmények esetén hatással lehet az aktív vagy passzív orvosi implantátumokra. A súlyos vagy halálos sérülés kockázatának csökkentése érdekében azt javasoljuk, hogy az orvosi implantátumot használó személyek a termék alkalmazása előtt kérjék ki orvosuk vagy az orvosi implantátum gyártójának tanácsát.
- Ne használja a terméket, ha fáradt, beteg, illetve alkohol, drog vagy gyógyszer hatása alatt áll. Ez negatív hatással van a látására, az éberségére, a koordinációjára és az ítélőképességére.
- Ne használja a gépet rossz időjárási körülmények között, például sűrű ködben, erősen zuhogó esőben vagy nagy hidegben. Ha rossz időjárási körülmények között használja a terméket, nemcsak gyorsan elfáradhat, hanem egyéb kockázatoknak, például a jeges talaj okozta kiszámíthatatlan csúszásiránynak is kitéheti magát.
- Mindig megfontoltan és előrelátóan cselekedjen. Amennyiben a használati utasítás elolvasását követően is bizonytalannak érzi magát a munkakörülményekkel vagy az üzemeltetési eljárásokkal kapcsolatban, a munka megkezdése előtt kérje ki egy szervizműhely véleményét.
- Vegye le a gyertyapipát, ha a terméket felügyelet nélkül hagyja.

## Biztonsági utasítások az összeszereléshez



**FIGYELMEZTETÉS:** A termék használata előtt olvassa el az alábbi figyelmeztetéseket.

- Használjon jóváhagyott védőkesztyűt a termék és a vágófelszerelés összeszerelésekor.
- A termék összeszerelése előtt távolítsa el a gyertyapipát a gyújtógyertyáról.
- A termék használata előtt győződjön meg arról, hogy a megfelelő fogantyút és vágófelszerelés-védőburkolat van-e felszerelve.
- A hibás vagy nem megfelelő védőburkolat használata komoly sérülést okozhat. Vágófelszerelést ahhoz tartozó jóváhagyott védőburkolat nélkül semmilyen körülmények között ne használjon.
- A termék elindítása előtt csatlakoztassa a tengelykapcsoló fedelét és a nyelet.
- A hajtótárcsának és a támkarimának megfelelően rögzülnie kell a vágófelszerelés középponti nyílásában. A nem megfelelően csatlakoztatott vágófelszerelés sérülést és halált okozhat.
- A kezelő és más személyek sérülésének elkerülése érdekében csatlakoztassa a hevedert a termékhez.

## Biztonsági utasítások az üzemeltetéshez



**FIGYELMEZTETÉS:** A termék használata előtt olvassa el az alábbi figyelmeztetéseket.

- A termék használata előtt tájékozódjon az erdőtisztogatás, a fűritkítás és a fűnyírás közötti különbségről.
- Használjon személyi védőfelszerelést, lásd: *Személyi védőfelszerelés 355. oldalon.*
- A zajnak való hosszú távú kitettség maradó halláskárosodást okozhat. Mindig használjon jóváhagyott fülvédőt.
- Hallásvédő használata közben is figyeljen a veszélyjelzésekre és a kiáltásokra. A motor leállítása után mindig vegye le a hallásvédőt.
- Ne használja a terméket, ha valamilyen tekintetben megváltozott vagy egyértelműen hibás.
- Az áramütés veszélyének elkerülése érdekében győződjön meg a gyertyapipa és a gyújtáskábel épségéről.
- Ellenőrizze, hogy a munkaterületen sem emberek, sem állatok, sem tárgyak nem akadályozzák a termék biztonságos használatát.

- Ellenőrizze, hogy a munkaterületen sem emberek, sem állatok nem érhetnek a vágófelszereléshez, és őket sem érhetik el a vágófelszerelésből esetlegesen kirepülő tárgyak.
- Ne használja a terméket olyan helyen vagy helyzetben, ahol nem kaphat segítséget, ha baleset történik.
- Ne használja a terméket jóváhagyott vágófelszerelés-védőburkolat nélkül.
- A termék használata közben tartson legalább 15 méteres távolságot az emberektől és az állatoktól. Mindig nézzen maga mögé, mielőtt megfordulna a termékkel. Azonnal állítsa le a terméket, ha személy vagy állat lép a 15 méteres körzeten belülré. Ha ugyanazon a helyen többen is dolgoznak, akkor a tartandó biztonsági távolság legalább a fmagasság kétszerese és legalább 15 méter.
- Ellenőrizze a munkaterületet. Kerüljön el minden olyan mozdítható tárgyat – pl. köveket, törött üveget, szökeket, fémdrótokat, zsinégeket stb. – amelyeket a vágófelszerelés kirepíthet, vagy amelyek esetleg a felszerelésre csavarodhatnak.
- Győződjön meg arról, hogy biztonságosan tud mozogni és biztonságos testtartást tud felvenni. Mérje fel a közeli akadályokat, például a gyökereket, köveket, ágakat és gödröket. Legyen különösen óvatos, ha lejtőn dolgozik.



- Ne nyújtózkodjon a termékkel. Minden helyzetben stabilan támaszkodjon lábaira, tartson megfelelő egyensúlyt.
- A termék beindítása előtt helyezze azt lapos felületre, valamint az üzemanyagtól és az üzemanyagöltés helyétől legalább 3 méterre. Ellenőrizze, hogy semmilyen tárgy nincs a vágófelszerelés közelében.
- Ha a vágófelszerelés alapjáratú fordulatszámom is forog, kérjen beállítást szervizműhelytől. Ne használja a terméket addig, amíg az nincs beállítva vagy megjavítva.
- Figyeljen a felcsapódó tárgyra. Mindig használjon jóváhagyott védőszemüveget, és tartsa távol saját magát a vágófelszerelés védőburkolatától. Kövek és egyéb kisebb tárgyak repülhetnek szemei felé, amelyek látáskárosulást és egyéb sérülést okozhatnak.

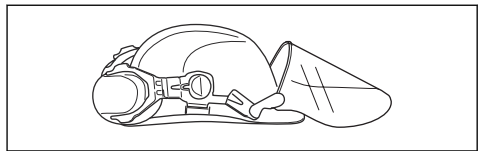
- Ne tegye le a terméket járó motorral, hacsak nem tudja szemmel tartani azt.
- Amíg a motor jár vagy a vágószerkezet forog, ne távolítsa el és másoknak se engedje, hogy eltávolítsák a levágott anyagokat a termékről, mert ez súlyos sérüléseket okozhat.
- A késtengelyre tekeredett vagy a vágófelszerelés és a védőburkolata közé szorult anyagok eltávolítása előtt mindig állítsa le a motort, és ellenőrizze, hogy a vágószerkezet álló helyzetben van-e.
- Legyen óvatos, amikor eltávolítja az anyagot a vágószerkezetről. A szöghajtás működés közben felforrósodik, és égési sérüléseket okozhat.
- A motor kipufogógázai forróak, a gázokkal együtt akár szikrák is távozhatnak a motorból. Tűzveszély. Legyen óvatos a száraz és gyúlékony anyagok körül.
- Soha ne használja a terméket beltéren, illetve megfelelő szellőzés nélküli helyen. A kipufogógázok szén-monoxidot tartalmaznak, ami nagyon veszélyes, szagtalan, mérgező gáz.
- Állítsa le a motort, mielőtt új munkaterületre megy. Mindig csatlakoztassa a szállítási biztosítószerkezetet a termék áthelyezése előtt.
- Az erős rezgés miatt a vérkeringési zavarokban szenvedő személyeknél ér- vagy idegsérülések léphetnek fel. Forduljon orvoshoz, ha olyan tüneteket tapasztal, amelyeket feltehetőleg az erős rezgés okozott. Ezek a tünetek lehetnek többek között: zsibbadás, érzékiesség, bizsergés, szúró érzés, fájdalom, erőtlenység, a bőr színének vagy felületének megváltozása. A tünetek többnyire az ujjakban, a kézben vagy a csuklóban jelentkeznek. Alacsony hőmérsékleten a veszély növekedhet.

## Személyi védőfelszerelés

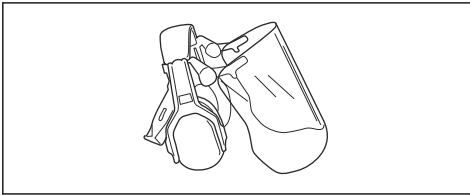


**FIGYELMEZTETÉS:** A termék használata előtt olvassa el az alábbi figyelmeztetéseket.

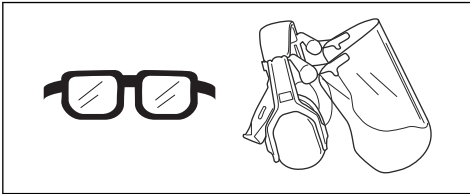
- A termék használata során viseljen jóváhagyott személyi védőfelszerelést. A személyi védőfelszerelés nem küszöböli ki teljes mértékben a sérülés kockázatát, de csökkenti a sérülés mértékét, ha bekövetkezik a baleset. A megfelelő felszerelés kiválasztásában kérje a kereskedő segítségét.
- Használjon sisakot, ha a munkaterületen lévő fák 2 méternél magasabbak.



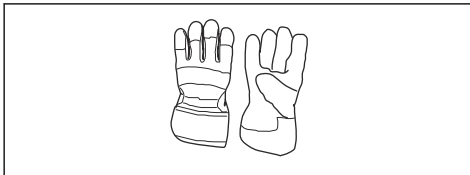
- Használjon jóváhagyott fülvédőt.



- Használjon jóváhagyott védőszemüveget. Ha arcvédőt használ, jóváhagyott védőszemüveget is kell viselnie. Jóváhagyott védőszemüvegek azok, amelyek megfelelnek az ANSI Z87.1 (USA), illetve EN 166 (EU-országok) szabványoknak.



- Ha szükséges, viseljen kesztyűt – például a vágóeszközök felhelyezésekor, ellenőrzésekor vagy tisztításakor.

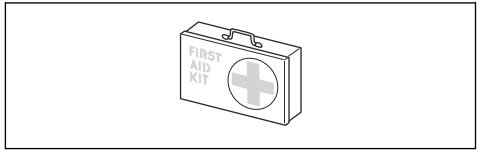


- Használjon acéllemezes lábujjvédővel és csúszásgátló talppal ellátott védőbakancsot.



- Viseljen sűrű szövésű anyagból készült ruházatot. Vastag, hosszú nadrágot és hosszú ujjú felsőrészt viseljen. Ne viseljen bő ruházatot, mert az beakadhat a gallyakba és a bokrok ágaiba. Ne viseljen ékszereket, rövidnadrágot vagy szandált. Ne legyen meztláb. Igazítsa haját vállmagasság fölé.

- Tartsa kéznél az elsősegélykészletet.



## Biztonsági eszközök a terméken

A biztonsági eszközök helyére vonatkozó további információkért lásd: *A vágófelszerelés védőburkolata357. oldalon.*



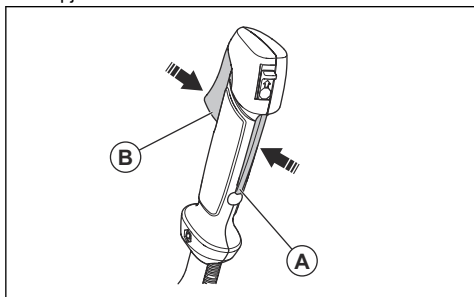
**FIGYELMEZTETÉS:** A termék használata előtt olvassa el az alábbi figyelmeztetéseket.

- Ne használjon olyan terméket, amelynek hibásak a biztonsági eszközei. Rendszeresen ellenőrizze a biztonsági eszközöket és rendszeresen végezzen rajtuk karbantartást. A biztonsági eszközök meghibásodása esetén vegye fel a kapcsolatot a McCulloch szervizműhellyel.
- Ne módosítsa a biztonsági eszközöket. Nem csatlakoztatott vagy hibás védőburkolatok, biztonsági kapcsolók és más védőeszközök esetén ne működtesse a gépet.
- A gépen végzett minden szerviz- és javítási munkát szakképzettséget igényel, különös tekintettel a biztonsági eszközökre. Ha a biztonsági eszközök nem felelnek meg a jelen használati utasításban megadott ellenőrzések során, szervizműhely segítségét kell kérnie. Garantáljuk a szakképzett szervizszolgáltatást, javítást. Ha viszonteladója nem szervizműhely, forduljon hozzájuk a legközelebbi szervizműhellyel kapcsolatban.
- Ne használja a vágófelszerelést jóváhagyott és megfelelően felhelyezett védőburkolat nélkül. Lásd: *Műszaki adatok374. oldalon.*

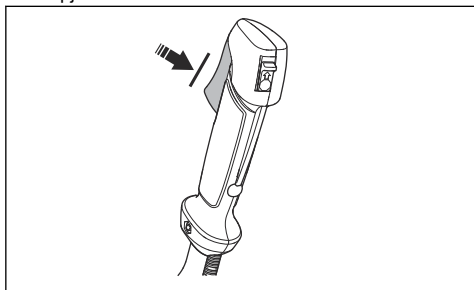
## A gázadagoló reteszének ellenőrzése

A gázadagoló retesze úgy van kialakítva, hogy megakadályozza a véletlen gázadást.

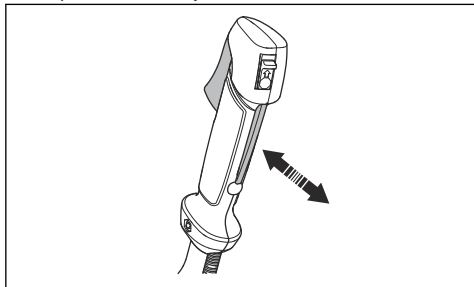
1. Nyomja le a gázadagoló reteszt (A), és győződjön meg arról, hogy a gázadagoló (B) kioldott-e. A fogantyú elengedésekor a gázadagoló és a retesz egyaránt visszaáll eredeti állásába. Erről két visszatérítő rugó gondoskodik. Ez a kialakítás az eredményezi, hogy a gázadagoló automatikusan alapjáraton reteszeli.



2. Ellenőrizze, hogy a retesz elengedve a gázadagoló alapjáraton reteszeli-e.

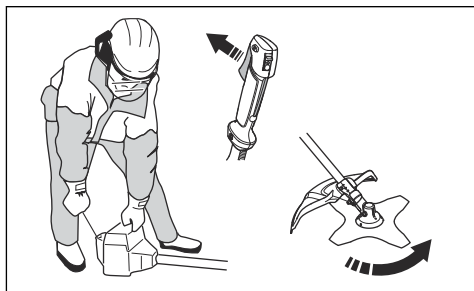


3. Nyomja le a gázadagoló reteszt, és győződjön meg arról, hogy a felengedése után visszatér-e az alapértelmezett helyzetbe.



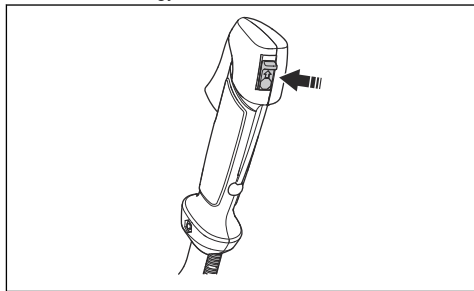
4. Ellenőrizze, hogy a gázadagoló és a retesz akadálymentesen mozog-e, a visszatérítő rugók pedig megfelelően működnek-e.
5. Indítsa el a terméket (lásd az utasításokat a következő fejezetben: *Indítás és leállítás* 366. oldalon), és adjon teljes gázt.

6. Engedje el a gázszabályozót és győződjön meg róla, hogy a vágófelszerelés leállt és teljesen mozdulatlan. Állítsa be a karburátort, ha a vágófelszerelés mozog, amikor a gázszabályozó üresjárati helyzetben van. Lásd a következő fejezetben szereplő utasításokat: *Az alapjárat fordulatszám beállítása* 372. oldalon.



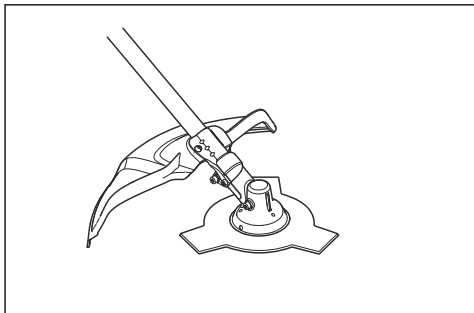
#### A leállítókapcsoló ellenőrzése

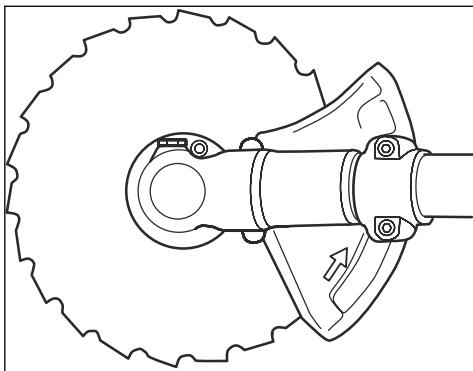
1. Indítsa be a motort.
2. Állítsa a leállítókapcsolót a stop pozícióba és ellenőrizze, hogy a motor leállt-e.



#### A vágófelszerelés védőburkolata

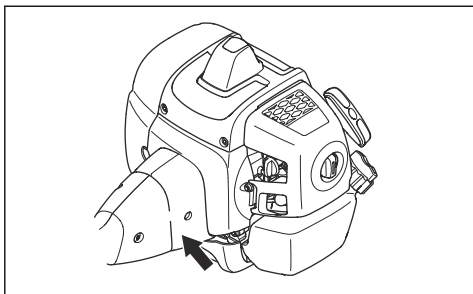
A vágófelszerelés védőburkolata megakadályozza, hogy az elszabadult tárgyak elérjék a kezelőt. Vizsgálja meg a vágófelszerelés védőburkolatának épségét, és cserélje ki, ha megsérült. A vágófelszereléshez csak a jóváhagyott védőburkolatot használjon.





### A rezgéscsillapító rendszer ellenőrzése

A rezgéscsillapító rendszer a minimumra csökkenti a fogantyút érő rezgés erősségét, megkönnyítve ezzel a berendezés kezelését.



1. Állítsa le a motort.
2. Keressen deformációt és sérüléseket, például repedéseket.
3. Ügyeljen arra, hogy a rezgéscsillapító rendszer elemei megfelelően legyenek csatlakoztatva.

### A gyorskioldó mechanizmus ellenőrzése

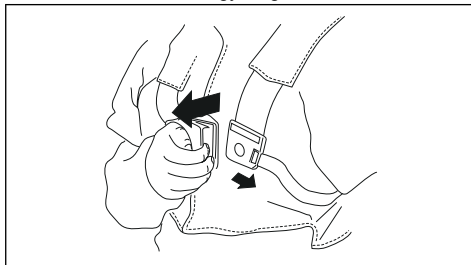


**FIGYELMEZTETÉS:** Ne használjon olyan hevedert, amelynek gyorskioldója meghibásodott.

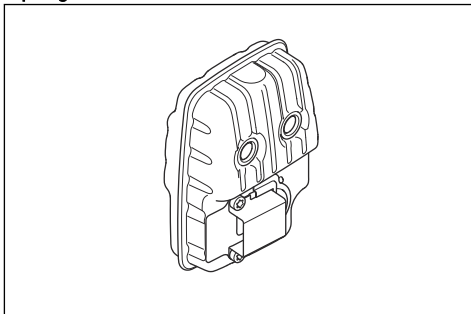
A gyorskioldó mechanizmus segítségével a kezelő vészhelyzet esetén gyorsan leveheti a terméket a hevederről.

1. Állítsa le a motort.
2. Ellenőrizze, nincsenek-e sérülések, például repedések.

3. Oldja ki, majd rögzítse a gyorskioldó mechanizmust – ellenőrizve ezzel, hogy megfelelően működik.



### Kipufogódob



- Ne indítsa be a motort, ha a kipufogódob megsérült. A hibás kipufogódob növeli a zajszintet és a tűzveszélyt. Legyen a közelben tűzoltó készülék.
- Ellenőrizze rendszeresen a kipufogódob rögzítettségét.
- Ne érjen a motorhoz vagy a kipufogódobhoz, ha jár a motor. Ne érjen a motorhoz vagy a kipufogódobhoz még egy darabig, miután leállította a motort. A forró felületek sérülést okozhatnak.
- A forró kipufogódob tüzet okozhat. Legyen óvatos, ha a terméket gyúlékony folyadékok vagy gázok közelében használja.
- Ne érjen a kipufogódob alkatrészeihez, ha a kipufogódob megsérült. Az alkatrészek rákkeltő vegyi anyagokat tartalmazhatnak.
- Ha a termék fel van szerelve szikrafogóval, tisztítsa meg azt rendszeres időközönként.

### A zárónya rögzítése és eltávolítása

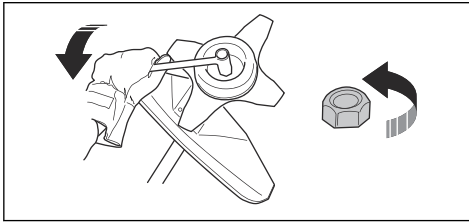


**FIGYELMEZTETÉS:** Állítsa le a motort, húzzon védőkesztyűt, és legyen óvatos a vágófelszerelés élei környékén.

A zárónya a vágófelszerelés egyes típusainak rögzítésére szolgál. A zárónya balmenetes.

- Rögzítéshez a zárónyát a vágófelszerelés forgásával ellentétes irányba csavarva húzza meg.

- Leszerelésnél a záróanyát a vágófelszerelés forgásának megfelelő irányban csavarva lazítsa meg.
- A záróanya meglazításához és meghúzásához hosszú nyelű csókulcsot használjon. A képen szereplő nyíl azt a területet jelzi, ahol a csókulcsot használhatja.



**FIGYELMEZTETÉS:** A záróanya meglazítása és meghúzása során a penge sérülést okozhat. Mindig ügyeljen arra, hogy a művelet során védje a kezét a pengevédőtől.

**Megjegyzés:** Győződjön meg, hogy a záróanya kézzel nem forgatható. Cserélje ki az anyát, ha a nejlombbetétek nincs legalább 1,5 Nm-es ellenállása. A záróanyát kb. 10 alkalommal történt rácsavarás után is kell cserélni.

### Vágószerkezet

Válassza ki és tartsa karban a vágószerkezetet ahhoz, hogy:

- Maximális legyen a vágási teljesítmény.
- Növelje a vágószerkezet élettartamát.
- Kövesse a hangfogóra vonatkozó ellenőrzéssel, karbantartással és szervizeléssel kapcsolatos utasításokat.
- A vágószerkezethez csak a jóváhagyott védőburkolatot használja. Lásd a műszaki adatokat.



**FIGYELMEZTETÉS:** A vágófelszerelést kizárólag az általunk ajánlott védelemmel használja. Lásd a Műszaki adatok című fejezetet. A helyes zsinóradozathoz és megfelelő zsinórátmérő kiválasztásához lásd a vágófelszerelésre vonatkozó utasításokat.



**FIGYELMEZTETÉS:** A hibás vágófelszerelés használata növelheti a balesetveszélyt.

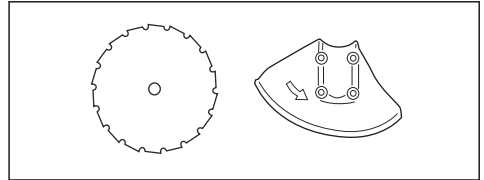


**FIGYELMEZTETÉS:** Mielőtt bármilyen munkát végezne a vágófelszerelésen, kapcsolja ki a motort. A vágófelszerelés a gázzszabályozó

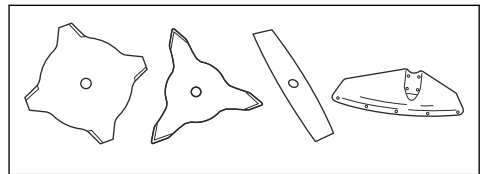
elengedése után is forog. Győződjön meg róla, hogy a vágóeszköz leállt, vegye le a gyertyapipát, és csak ezután kezdjen dolgozni rajta.

### Vágófelszerelés

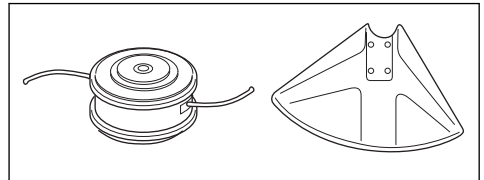
- A fűrész tárcsával faszzerű növényeket vághat.



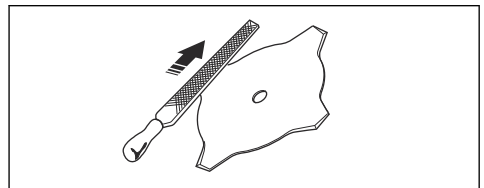
- Erőteljes fű vágásához használja a pengéket és fűvágó késeket.



- A fűnyírásához használja a damilfejet.



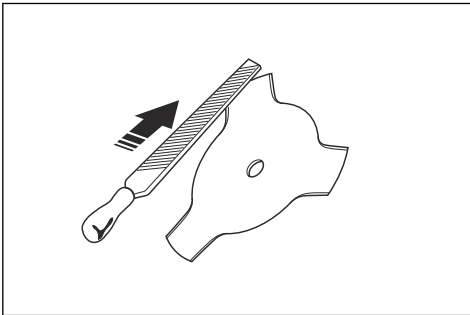
- Egy helytelenül élezett, vagy sérült penge növeli a balesetveszélyt. A penge vágófogai mindig legyenek megfelelően élezve. Csak a javasolt reszelősablont használja, és tartsa be a következő fejezetben található utasításokat: *A fűvágó kések és fűvágófejek élesítése* 360. oldalon.



- Ellenőrizze, hogy nem található-e sérülés vagy repedés a vágófelszerelésen. Ha a vágófelszerelés sérült, cserélje ki.
- A vágófelszerelést kizárólag az ajánlott védőburkolattal használja. Lásd: *Műszaki adatok* 374. oldalon.

## Kések

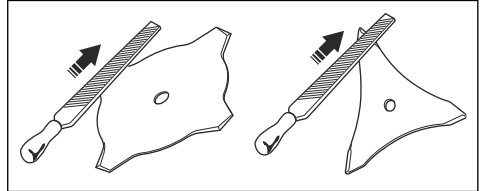
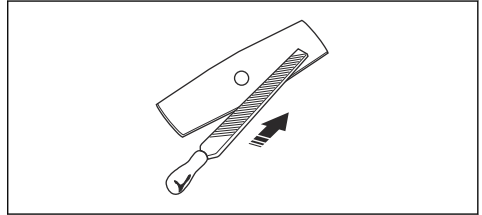
- A terméket jóváhagyott késsel használja. A kést csak az összes szükséges alkatrész megfelelő felszerelése után használja. Ellenőrizze a megfelelő felszerelést és azt, hogy a megfelelő alkatrészeket használja. A nem megfelelő felszerelés miatt a kés lerepülhet, ami súlyos sérülést okozhat a kezelőnek vagy a körülötte tartózkodó személyeknek.
- A kés kezelésekor és a karbantartás során viseljen védőkesztyűt.
- Viseljen védőkesztyűt, ha a terméket késsel használja.
- A kés sérülést okozhat, ha a motor leállítására vagy a gázadároló elengedése után tovább pörög. Karbantartás előtt ellenőrizze, hogy a kés teljesen megállt-e.
- Mielőtt munkát végezne a vágófelszerelésen, állítsa le a motort. Győződjön meg róla, hogy a vágófelszerelés teljesen leállt. Vegye le a vezetékét a gyűjtőgyertyáról.
- A penge vágófogai mindig legyenek megfelelően élveze.



- Ne használjon sérült vágófelszerelést!
- A termék szállítása vagy tárolása esetén rögzítse a késre a szállítási biztosító szerkezetet.

## A fűvágó kések és fű vágófejek élesítése

- A fűvágó kések és fű vágófejek élesítését egyenlő mértékben végezze, hogy megmaradjon az egyensúlyuk. Szimplavágású lapos reszelőt használjon.

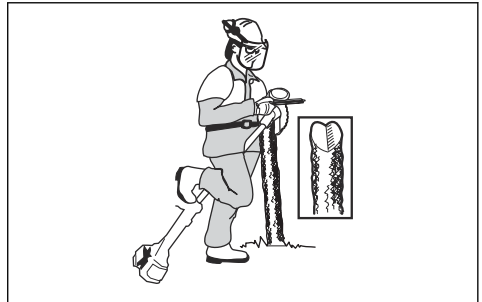


## A fűrésztárcsa élézése

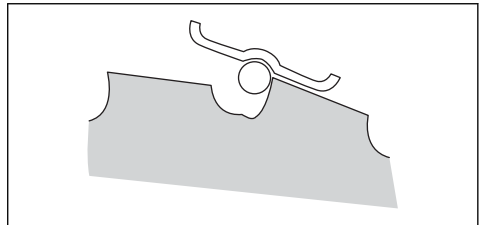


**FIGYELMEZTETÉS:** Állítsa le a motort. Használjon védőkesztyűt.

- A tárcsa helyes élzéséhez olvassa el a hozzá tartozó használati útmutatót.
- Győződjön meg arról, hogy a termék és a pengét megfelelően alátámasztotta az élzéshez.



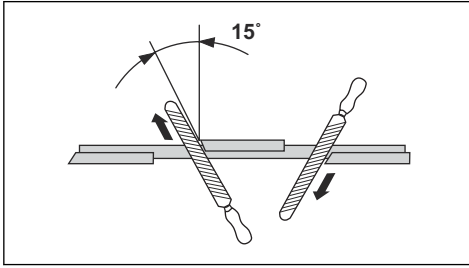
- Használjon 5,5 mm-es hengeres reszelőt, tartóval együtt.



- Tartsa a reszelőt 15°-os szögben.

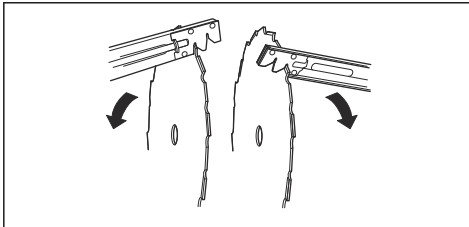


- Élezze meg a fűrészlánc egyik fogát jobbra, a következőt pedig balra, az ábra szerint.



**Megjegyzés:** Ha a penge erősen kopott, élezze meg a fogak oldalait lapos reszelővel. Ezután élezze meg őket kerek reszelővel is.

- A penge egyensúlyának megtartása érdekében minden oldalt egyenlő mértékben élezzen meg.
- Igazítsa a fogakat 1 mm-hez az ajánlott igazítóeszközzel. Kövesse a penge használati útmutatóját.

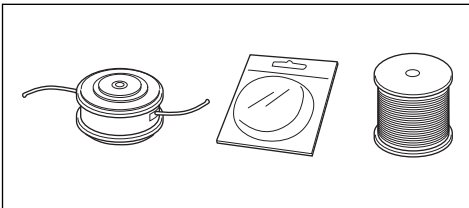


**FIGYELMEZTETÉS:** A sérült pengéket cserélje le. Ne próbáljon használhatóvá tenni elgörbült vagy megszarvarodott pengét.

#### Damilfej



**FIGYELMEZTETÉS:** Az egészségre ártalmas rezgések elkerülése érdekében ügyeljen arra, hogy a zsinór legyen mindig szorosan és egyenletesen a dobra tekerve.



- Csak a javasolt damilfejeket és zsinórokat használja.
- Csak a javasolt váltófelszereléseket használja.

- Kisebb géphez általában kisebb damilfej szükséges, és fordítva.
- A zsinór hossza ugyancsak lényeges. A hosszabb zsinór nagyobb teljesítményű motort igényel, mint az ugyanolyan keresztmetszetű rövidebb zsinór.
- A szegélynyíró védőburkolatán lévő késnek épek kell lennie. A kés a zsinór megfelelő méretűre történő vágására szolgál.
- A zsinór élettartamának növelése érdekében használat előtt áztassa vízbe néhány napra.

#### Üzemanyaggal kapcsolatos biztonság

- Ne indítsa be a terméket, ha üzemanyag vagy motorolaj került rá. Távolítsa el a nem kívánt üzemanyagot/motorolajat és hagyja megszáradni a terméket. Távolítsa el a nem kívánt üzemanyagot a termékről.
- Ha a kiömlött üzemanyag a ruhájára csöppent, öltözzön át azonnal.
- Ügyeljen arra, hogy ne kerüljön üzemanyag a testére, mert az sérülést okozhat. Ha üzemanyag került a testére, távolítsa el szappannal és vízzel.
- Ne indítsa be a motort, ha olaj vagy üzemanyag került a termékre vagy Önre.
- Ne indítsa be a motort, ha szivárog a motor. Vizsgálja meg rendszeresen a motort szivárgás szempontjából.
- Bánjon óvatosan az üzemanyaggal. Az üzemanyag gyúlékony, a gőzei robbanásveszélyesek, ezért súlyos, akár végzetes sérülést is okozhat.
- Ne lélegezze be az üzemanyag gőzeit, egészségkárosodást okozhatnak. Gondoskodjon megfelelő légáramlásról.
- Az üzemanyag vagy a motor közelében ne dohányozzon.
- Az üzemanyag vagy a motor közelébe ne tegyen forró tárgyakat.
- Ne tankoljon járó motornál.
- Várja meg a tankolással, amíg lehül a motor.
- Tankolás előtt nyissa meg lassan a tanksapkát, engedje ki óvatosan a nyomást.
- Ne beltérben tankoljon. A nem elegendő mértékű légáramlás fulladás vagy szén-monoxid miatt egészségkárosodást, akár halált is okozhat.
- Körültekintően húzza meg a tanksapkát, különben tűz keletkezhet.
- Vigye legalább 3 m (10 láb) távolságra a terméket a tankolás helyétől, mielőtt beindítaná.
- Ne töltsen túl üzemanyaggal a terméket.
- Ügyeljen arra, hogy ne forduljon elő szivárgás, amikor a terméket vagy az üzemanyagtartályt mozgatja.
- Ne vigye olyan helyre a terméket vagy az üzemanyagtartályt, ahol nyílt láng, szikra vagy őrláng található. Győződjön meg arról, hogy a tárolás helyén nem található nyílt láng.
- Csak jóváhagyott tartályt használjon az üzemanyag szállítására vagy tárolására.

- Hosszú távú tárolás előtt ürítse ki az üzemanyagot a termékből. A lefejtett üzemanyag elhelyezésekor járjon el a hatályos helyi előírások szerint.
- Hosszú távú tárolás előtt tisztítsa meg a terméket.
- Húzza le a gyertyapipát, mielőtt a terméket elteszi, hogy a motor ne indulhasson be véletlenül.

## Biztonsági utasítások a karbantartáshoz

- Ha az alapjáratot nem lehet úgy beállítani, hogy a vágófelszerelés ne forogjon, forduljon szakszervizhez. Ne használja a terméket addig, amíg az nincs helyesen beállítva, illetve megjavítva.

## Összeszerelés



**FIGYELMEZTETÉS:** Olvassa el a biztonságról szóló fejezetet, mielőtt összeszerelné a terméket.



**FIGYELMEZTETÉS:** Ha a terméket fűvágó késsel használja, először szerelje fel a megfelelő fogantyúrudat, a pengevédőt és a hámot.

### Bevezető



**FIGYELMEZTETÉS:** A termék összeszerelése előtt el kell olvasnia és meg kell értenie a biztonságról szóló fejezetet.



**FIGYELMEZTETÉS:** Ha a késeket nem megfelelően szereli fel, azok személyi sérülést okozhatnak.

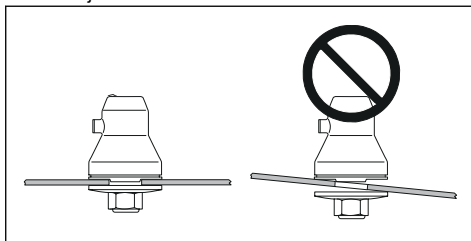
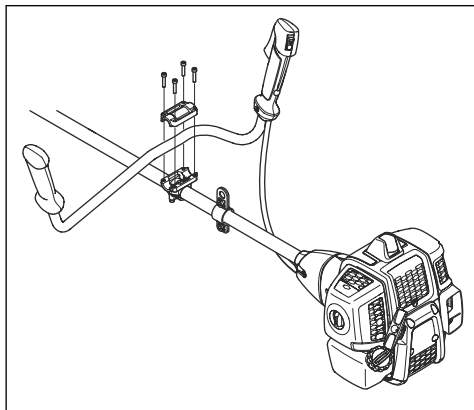


**FIGYELMEZTETÉS:** A termék összeszerelése előtt távolítsa el a gyújtógyertya kábelét a gyújtógyertyából.

1. Ügyeljen rá, hogy a meghajtótárcsa/támkarima megemelt része helyesen illeszkedjen a kések középponti nyílásába.
2. Szerelje fel a késeket.

### A fogantyúrúd felszerelése

1. Rögzítse a fogantyút a rögzítőbilincsekre a képen látható módon.



### A pengevédő, a fűvágó kés és a fűvágófej felszerelése



**VIGYÁZAT:** A késekhez csak a jóváhagyott védőburkolatot használja. Lásd a kezelési kézikönyvet.



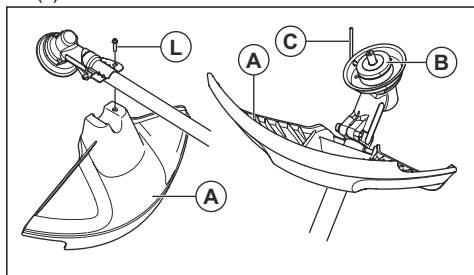
**VIGYÁZAT:** Ellenőrizze, hogy eltávolította-e a védőtoldatot.

### A kések és szegélynyíró fejek felszerelése

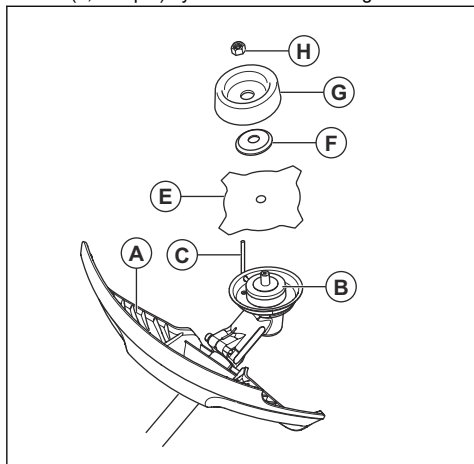


**FIGYELMEZTETÉS:** A késekhez csak a jóváhagyott védőburkolatot használja. Lásd *Műszaki adatok374. oldalon*. A hibás védőburkolat sérülést okozhat.

1. Szerelje fel a pengevédőt/a vágófelszerelés-védőburkolatot (A) a nyélre, és rögzítse a csavarral (L).



2. Szerelje fel a hajtótárcsát (B) a kimenőtengelyre.
3. Forgassa a kimenőtengelyt addig, amíg a hajtótárcsában lévő lyukak egyike egy vonalba nem kerül a hajtóműházon lévő megfelelő lyukkal.
4. Helyezze be a rögzítőcsapot (C) a nyílásba a nyél rögzítéséhez.
5. Helyezze a kimenőtengelyre a kést (E), a támkarimát (F) és a támasztócsészét (G).
6. Szerelje fel az anyát (H). Tartsa a szerszám nyelét a lehető legközelebb a pengevédőhöz. Az anya meghúzásához fordítsa a kulcsot a tengely forgásirányával ellentétes irányba. A csavart 35-50 Nm (3,5-5 kpm) nyomatékkal húzza meg.

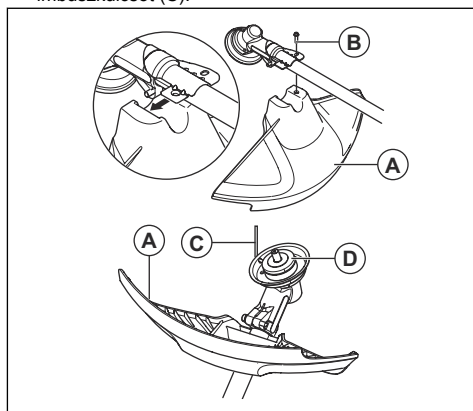


**Megjegyzés:** Balmenet.

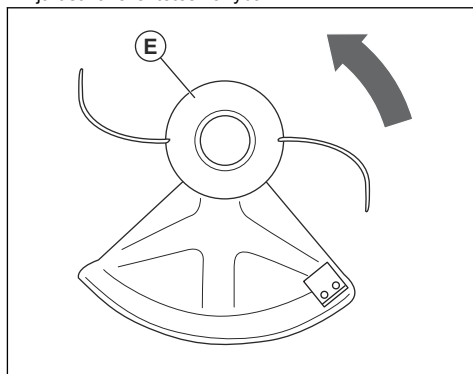
### A damilfej-védőburkolat és a damilfej rögzítése

**Megjegyzés:** Ügyeljen arra, hogy a megfelelő trimmervédőt szerelje fel az adott nyírőfejre.

1. Szerelje fel a nyírőfejhez megfelelő trimmervédőt/kombinációs védőburkolatot (A).
2. Szerelje fel a trimmervédőt/kombinációs védőburkolatot a tengelyre, majd szorítsa meg a csavarral (B). Használja a rögzítőcsapot vagy az imbuszkulcsot (C).



3. Tegye a rögzítőcsapot vagy az imbuszkulcsot (C) a csavarfej hornyába, és szorítsa meg.
4. Szerelje fel a hajtótárcsát (D) a kimenőtengelyre.
5. Forgassa a kimenőtengelyt addig, amíg a hajtótárcsában lévő lyukak egyike egy vonalba nem kerül a hajtóműházon lévő megfelelő lyukkal.
6. Helyezze be a rögzítőcsapot vagy az imbuszkulcsot (C) a nyílásba a tengely rögzítéséhez.
7. Szerelje össze a nyírőfejet/műanyag késeket (E). Fordítsa a nyírőfejet/műanyag késeket az óramutató járásával ellentétes irányba.



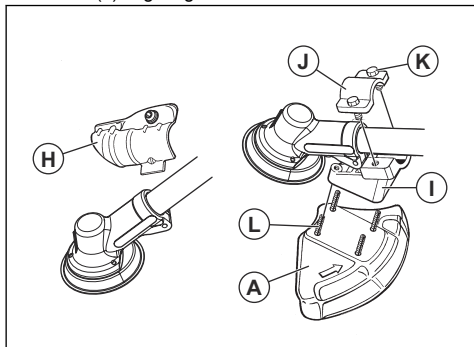
8. A leszereléshez fordított sorrendben végezze el a fenti lépéseket.

## A pengevédő és a fűrészpenge felszerelése

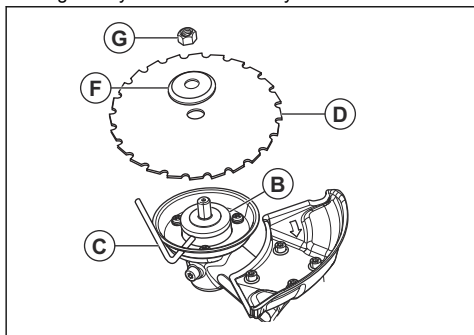


**VIGYÁZAT:** A késekhez csak a jóváhagyott védőburkolatot használja. Lásd: *Műszaki adatok374. oldalon.*

1. Távolítsa el a rögzítőlemezt (H).
2. Szerelje fel az adaptert (I) és a szorítóbilincset (J) a két csavar (K) segítségével.
3. Szerelje fel a pengevédőt (A) az adapterre a négy csavar (L) segítségével.

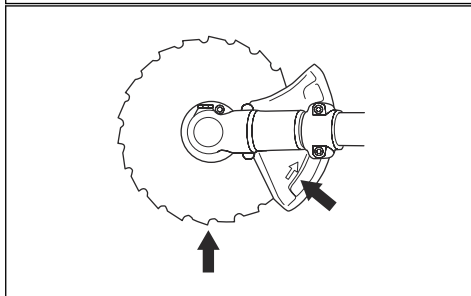
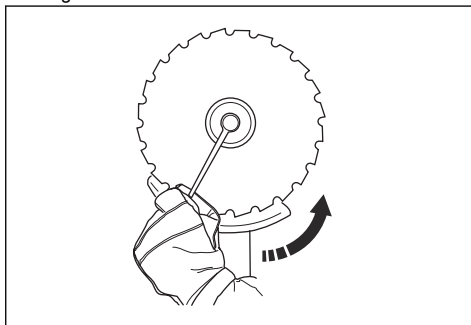


4. Szerelje fel a hajtótárcsát (B) a kimenőtengelyre.
5. Forgassa a késtengelyt addig, amíg a hajtótárcsában lévő lyukak egyike egy vonalba nem kerül a hajtóműházon lévő megfelelő lyukkal.
6. Helyezze be a rögzítőcsapot (C) a nyílásba a tengely rögzítéséhez.
7. Helyezze a pengét (D) és a támkarimát (F) a kimenőtengelyre.
8. Szerelje fel az anyát (G). Az anya meghúzásai nyomátéka 35-50 Nm (3,5-5kpm) legyen. Használja a szerszámkészletben található csőkulcsot. Tartsa a kulcsot a lehető legközelebb a pengevédőhöz. Az anya meghúzásához forgassa a csőkulcsot a tengely forgásirányával ellentétes irányba.



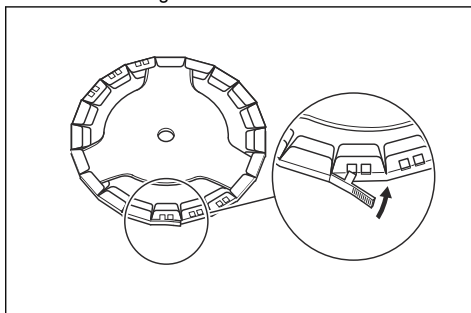
**Megjegyzés:** Balmenet.

9. A csavaranya meglazítása és meghúzása során a fűrészfogak felsérthetik a kezet. Ezért kezeit e művelet során mindig tartsa a pengevédő védelmében. Ennek érdekében ehhez a művelethez mindig hosszú nyelű csőkulcsot használjon. A képen szereplő nyíl azt a területet jelzi, ahol a csőkulcsot használnia kell a csavaranya meglazítása és meghúzása során.



## A szállítási biztosítószerkezet felszerelése

1. Rögzítse a szállítási biztosítószerkezetet a pengére az ábrának megfelelően.



## A heveder beállítása



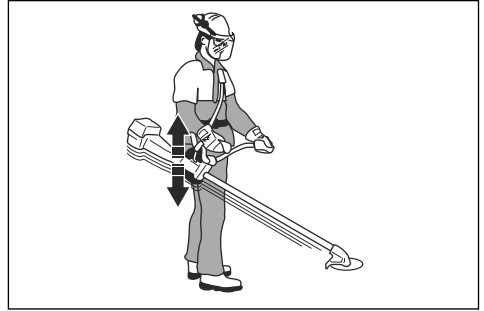
**FIGYELMEZTETÉS:** A termék mindig legyen megfelelően a hevederhez rögzítve. Ha a termék nincs megfelelően a

hevederhez rögzítve, a termék nem irányítható biztonságosan, ez pedig a kezelő vagy más személyes sérülését okozhatja. Ne használjon hibás hevedert. Soha ne használjon olyan hevedert, amelynek gyorskioldója meghibásodott.

1. Vegye fel a hevedert.
2. Csatlakoztassa a terméket a hevederhez.
3. Állítsa be a hámot úgy, hogy az a legkényelmesebb munkahelyzetet nyújtsa.
4. Állítsa be az oldalsó szíjakat úgy, hogy a termék mindkét vállára egyenlő mértékben nehezedjen.



5. Állítsa be úgy a hevedert, hogy a vágófelszerelés párhuzamos legyen a talajjal.



6. A vágófelszerelés fekdőjön fel könnyedén a talajon. Állítsa be a hámbilincs helyzetét a termék megfelelő kiegyensúlyozásához.

**Megjegyzés:** Fűvágó kés használata esetén a terméket körülbelül 10 cm-rel a talaj fölött kell kiegyensúlyozni.

## Üzemeltetés



**FIGYELMEZTETÉS:** Olvassa el és értelmezze a biztonságról szóló fejezetet, mielőtt használni kezdené a terméket.

### Bevezető



**FIGYELMEZTETÉS:** A termék működtetése előtt el kell olvasnia és meg kell értenie a biztonságról szóló fejezetet.

### Üzemanyag

A termékben kétütemű motor működik.



**VIGYÁZAT:** A nem megfelelő üzemanyag használata a motor károsodásához vezethet. Benzin és kétütemű motorolaj keverékét használja üzemanyagként.

### Előkevert üzemanyag

- A jó teljesítmény és a motor élettartamának megnövelése érdekében előkevert McCulloch alkilüzemanyagot használjon. Ez az üzemanyag típus kevesebb a hagyományos üzemanyagokhoz képest kevesebb vegyszert tartalmaz, így a kipufogó károsanyag-kibocsátása is mérséklődik. Az égés után visszamaradó anyagok mennyisége ezen üzemanyag esetében kevesebb, ami tisztább állapotban tartja a motor alkotóelemeit.

### Az üzemanyag keverése

#### Benzin

- Jó minőségű, legfeljebb 10% etanolt (E10) tartalmazó, ólmozatlan benzint használjon.



**VIGYÁZAT:** Ne használjon 90 RON/87 AKI értéknel alacsonyabb oktánszámú benzint. Alacsonyabb oktánszám esetén kopogás jelentkezik a motorban, ami a motor károsodását okozhatja.

#### Kétütemű motorhoz való olaj

- A legjobb eredmények és teljesítmény érdekében használjon McCulloch kétütemű motorolajat.
- Ha nem áll rendelkezésre McCulloch kétütemű motorolaj, használjon más jó minőségű, léghűtéses motorokhoz készült kétütemű olajat. A megfelelő olaj kiválasztását illetően forduljon az illetékes szakszervizhez.



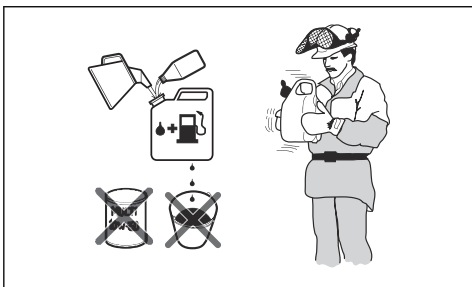
**VIGYÁZAT:** Ne használjon vízhűtéses külső motorokhoz való kétütemű motorolajat (más néven „outboard” olajat). Soha ne használjon négyütemű motorokhoz való olajat.

## Benzin és kétütemű olaj összekeverése

Benzin, liter	Kétütemű olaj, liter
	<b>2% (50:1)</b>
5	0,10
10	0,20
15	0,30
20	0,40
Egyesült államokbeli gallon	Egyesült államokbeli uncia
1	2 ½
2 1/2	6 ½
5	12 ¾



**VIGYÁZAT:** Kisebb mennyiségű üzemanyag kikeverésekor fennáll a veszélye, hogy az apróbb hibák jelentősen befolyásolják a keverési arányt. A helyes keverési arány érdekében gondosan mérje ki a keverékhez adagolandó olaj mennyiségét.



1. Töltse bele a benzin felét egy üzemanyaghoz való, tiszta tartályba.
2. Töltse be a teljes olajmennyiséget.
3. Rázza össze az üzemanyag-keveréket.
4. Öntse bele a benzin megmaradó részét a tartályba.
5. Óvatosan rázza össze az üzemanyag-keveréket.



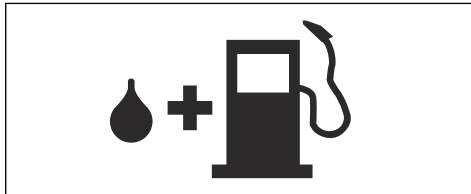
**VIGYÁZAT:** Ne keverjen be 1 havi adagnál több üzemanyagot egyszerre.

## Az üzemanyagtartály feltöltése



**FIGYELMEZTETÉS:** Biztonsága érdekében tartsa be az alábbi eljárást.

1. Állítsa le a motort, és várja meg, amíg lehül.
2. Tartsa tisztán az üzemanyagtartály sapkájának környékét.



3. Rázza össze a tartályt, és győződjön meg róla, hogy az üzemanyag megfelelően összekeveredett-e.
4. Lassan távolítsa el az üzemanyagtartály sapkáját, hogy kiengedje a nyomást.
5. Töltse fel az üzemanyagtartályt.



**VIGYÁZAT:** Ügyeljen arra, hogy ne töltsön túl sok üzemanyagot az üzemanyagtartályba. Hő hatására az üzemanyag kitágul.

6. Húzza meg óvatosan az üzemanyagtartály sapkáját.
7. Távolítsa el a kiömlött üzemanyagot a termékről és környékéről.
8. A motor beindítása előtt, vigye el a terméket a tankolás helyétől és forrásától legalább 3 m távolságra.

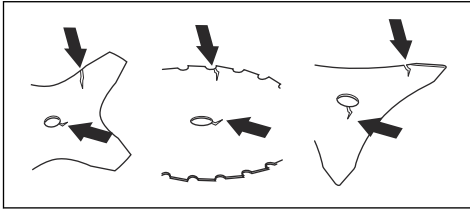
**Megjegyzés:** Ha szeretné megtudni, hogy az üzemanyagtartály hol van a terméken, lásd: *A termék áttekintése 352. oldal.*

## Indítás és leállítás

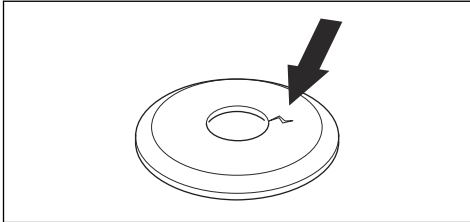
### A termék működtetése előtt

- Ellenőrizze a munkaterületet; mérje fel a terep jellegét, a talaj lejtését, valamint keressen esetleges akadályokat, például köveket, ágakat, gödröket.
- Végezzen átfogó ellenőrzést a terméken.
- Végezze el a használati utasításban közölt biztonsági ellenőrzéseket, valamint karbantartási és szervizelési feladatokat.
- Győződjön meg arról, hogy minden fedőelem, burkolat, fogantyú és vágószerkezet megfelelően rögzítve van és sérülésmentes.

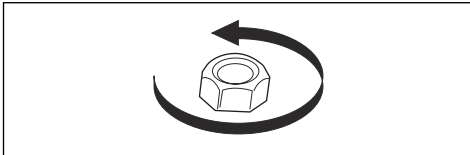
- Győződjön meg arról, hogy nincsenek repedések a fűrésztárcsa vagy a fűvágó kés fogain és középső furatán. Ha sérülést talál, cserélje ki az elemet.



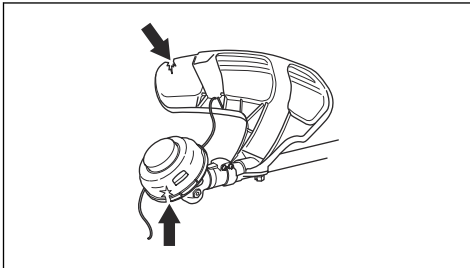
- Keressen repedéseket a támkarimán. Ha a támkarima sérült, cserélje ki.



- Győződjön meg arról, hogy a záróanya nem mozgatható el kézzel. Ha el tudja mozdítani kézzel, akkor nem rögzíti megfelelően a vágófelszerelést, ezért cserélnie kell.



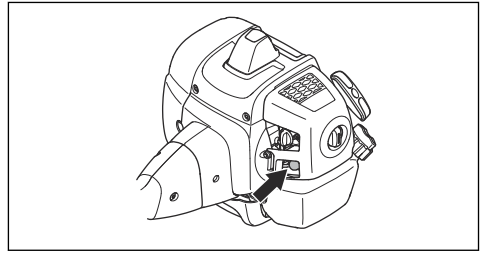
- Keressen sérülést, repedést a pengevédőn. Cserélje a pengevédőt, ha sérült vagy repedt.
- Keressen sérülést, repedést a szegélyvágó fejen és a vágófelszerelés védőburkolatán. Ha a szegélyvágó fej vagy a vágófelszerelés védőburkolata sérült vagy repedt, cserélje ki.



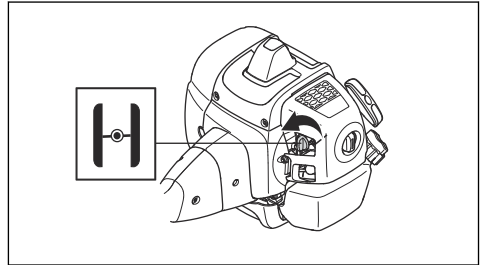
## A motor beindítása

1. Fektesse a terméket vízszintes és stabil felületre. A vágófelszerelés ne érintkezzen a talajjal.

2. Nyomja meg többször az üzemanyagpumpát, amíg tölteni nem kezd üzemanyaggal. Az üzemanyagpumpát nem szükséges teljes mértékben megtölteni.

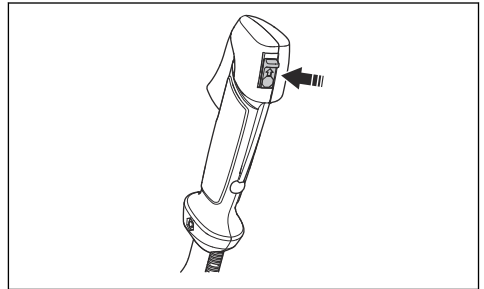


3. A szivatókart tojja a szivató állásba.

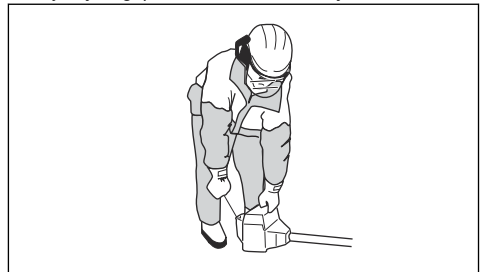


**FIGYELMEZTETÉS:** Ha a motort a szivatókarral indítja el, a vágófelszerelés azonnal forogni kezd.

4. Az indító-/leállítókapcsolót állítsa a RUN (ÜZEM) pozícióba.



5. Nyomja a géptestet bal kézzel a talajnak.



6. Fogja meg a berántókötél fogantyúját jobb kézzel.
7. Húzza ki lassan az indítózsínort a jobb kezében tartva, amíg ellenállást nem érez.



**FIGYELMEZTETÉS:** Ne tekerje a berántókötélet a keze köré.

8. Gyorsan és erőteljesen húzza ki a zsinórt. Húzza meg többször az indítózsínort, amíg a motor be nem indul.

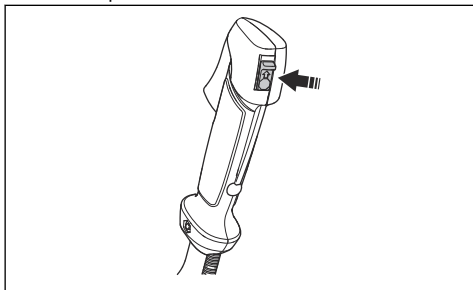


**VIGYÁZAT:** Ne húzza ki az indítózsínort teljesen, és ne engedje el az indítófogantyút, ha a zsinór teljesen kihúzott állapotban van. Ezzel kárt tehet a termékben.

9. Amikor a motor begyújt, állítsa vissza a szívatót.
10. A motor beindulásakor fokozatosan kezdje működtetni a gázadagolót.
11. Használat előtt győződjön meg arról, hogy a motor egyenletesen jár-e, és hagyja 1-2 percig melegedni.

## A termék leállítása

- A motor leállításához nyomja meg a leállítókapcsolót.



## Késlökés

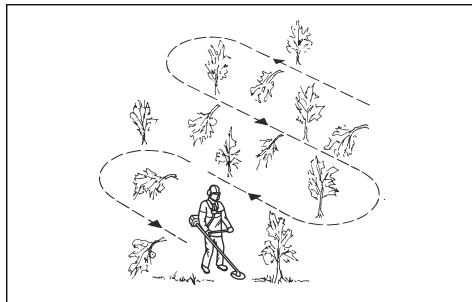
- A kés visszarugása a termék hirtelen elmozdulása oldalra, előre vagy hátrafelé. Akkor történik késlökés, ha a fűvágó kés olyan tárgynak ütközik, amit nem tud elvágni. A kés visszarugása gyakrabban következik be olyan területen, ahol a vágandó anyagot nem lehet jól látni.
- A kés visszarugása esetén előfordulhat, hogy a termék vagy a kezelője kibillen a helyzetéből. Az elmozduló kés közeli személyeket is elérhet, így fennáll a sérülés kockázata.
- Ha a kés elgörbült, megrepedt vagy más módon megsérült, ki kell cserélni.
- Használjon éles kést. A visszarugás esélye megnő, ha a kés nem éles.

## Általános munkavégzési utasítások

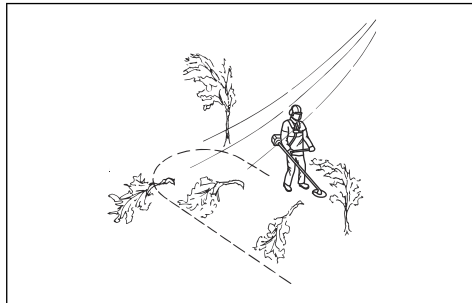


**FIGYELMEZTETÉS:** Legyen óvatos, ha feszülő fát vág. A vágás közben vagy a vágás végén váratlanul a helyére mozdulhat, és ezzel a terméknek ütődve sérülést okozhat.

- Tisztítson meg egy nyílt területet a munkaterület egyik végén, és kezdje onnan a munkát.
- Szabályos vonalban haladjon végig a munkaterületen.



- Fordítsa a terméket teljesen balra és jobbra, minden fordulattal 4-5 méter széles területet megtisztítva.
- Tisztítson meg 75 méter hosszúságú területet, mielőtt visszaindul. Vigye magával az üzemanyagkannát is.
- Olyan útvonalat válasszon, amelyen keresztül a lehető legkevesebb árkon és akadályon kell átkelnie.
- Olyan irányba haladjon, hogy a szél a megtisztított területre döntse a levágott növényzetet.



- Haladjon a lejtők mentén, ne azokon át.

## Erdőritkítás fűrészlárcsával

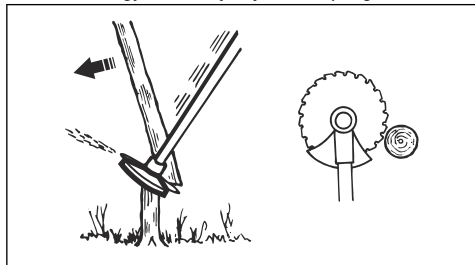
### Fák kidöntése balra

Ahhoz, hogy a fa balra dőljön, a fa alsó részét jobbra kell tölni.

1. Adjon teljes gázt.
2. Helyezze a fűrészlárcsát a fához az ábrának megfelelően.



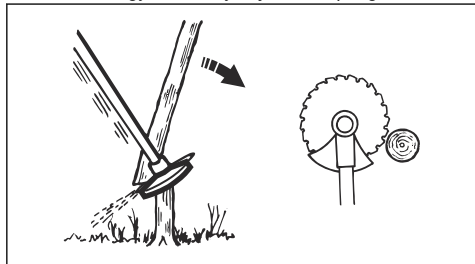
3. Döntse meg a fűrésztrácsát és nyomja erősen jobbra le. Ezzel egy időben nyomja a fát a pengevédővel.



### Fák kidöntése jobbra

Ahhoz, hogy a fa jobbra dőljön, a fa alsó részét balra kell tolni.

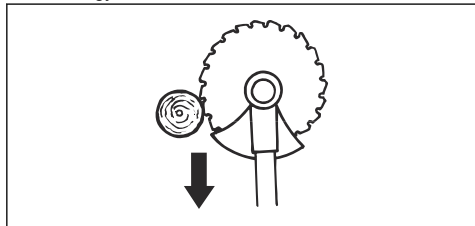
1. Adjon teljes gázt.
2. Helyezze a fűrésztrácsát a fához az ábrának megfelelően.
3. Döntse meg a fűrésztrácsát és nyomja erősen jobbra fel. Ezzel egy időben nyomja a fát a pengevédővel.



### Fák kidöntése előre

Ahhoz, hogy a fa előre dőljön, a fa alsó részét hátrafelé kell tolni.

1. Adjon teljes gázt.
2. Helyezze a fűrésztrácsát a fához az ábrának megfelelően.
3. Húzza gyors mozdulattal előre a fűrésztrácsát.

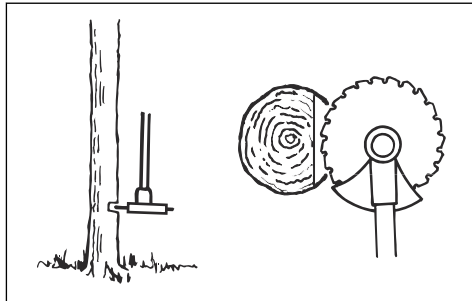


### Nagyobb fák kidöntése

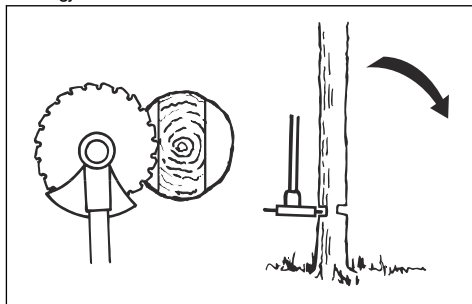
A nagyobb fákat két oldalról kell vágni.

1. Határozza meg, hogy melyik irányba fog dőlni a fa.
2. Adjon teljes gázt.

3. Ejtse meg az első vágást a fa dőlési oldalán.



4. Vágja át a fát a másik oldalról.



**VIGYÁZAT:** Ne próbálja hirtelen mozdulattal kihúzni a terméket, ha a fűrésztrácsa megakad. Ez károsíthatja a fűrésztrácsát, a szöghajtást, a tengelyt és a markolatot is. Engedje el a markolatot, tartsa a tengelyt két kézzel, majd óvatosan húzza ki a terméket.

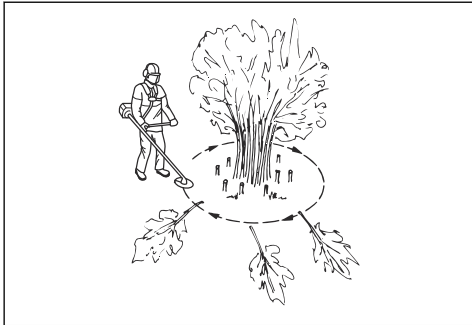
**Megjegyzés:** A kisebb fákhöz alkalmazzon nagyobb vágónyomást. A nagyobb fákhöz alkalmazzon kisebb vágónyomást.

### Bokorítás fűrésztrácsával

Ahhoz, hogy a fa balra dőljön, a fa alsó részét jobbra kell tolni.

- Vágja meg a vékony fákat és bokrokat.
- Mozgassa a terméket oldalról oldalra.
- Egy mozdulattal több fát is vágjon meg.

- Vékony fák csoportban:



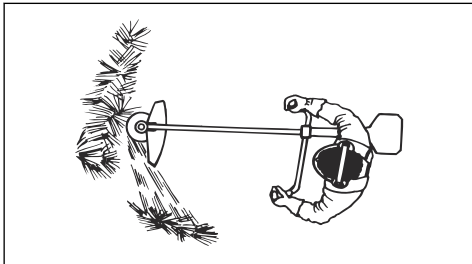
- Vágja a külső fákat magasan.
- Vágja a külső fákat a megfelelő magasságra.
- Vájon középről. Ha nem fér hozzá a csoport közepéhez, vágja meg a külső fákat magasan, és hagyja kidőlni őket. Ezzel csökkentheti annak az esélyét, hogy a fűrésztárcsa megakad.

## Fűritkítás fűvágó késsel



**VIGYÁZAT:** Ne használjon fűvágó kést és fűvágó pengét fán. A fűvágó késeket és a fűvágó pengéket csak magas vagy sűrű fűhöz használja.

- Mozgassa a terméket oldalról oldalra.
- A vágást jobbról balra kezdje végezni. A következő vágás előtt helyezze a terméket jobbra.
- A fűvágó kés bal oldalával vágjon.



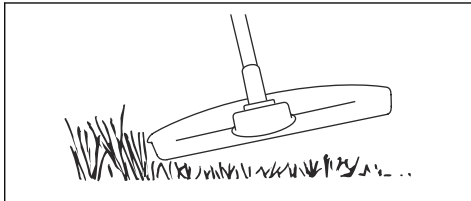
- Döntse balra a fűvágó kést, hogy a fű egy vonalba essen. Így könnyebben összegyűjthető.
- Stabilan, terpeszben támaszkodjon.
- Lépjen előre minden jobbra irányuló mozdulat után és vegyen fel stabil testhelyzetet a következő vágás előtt.
- Tartsa a támasztócsészét enyhe erővel a talajnak, hogy a fűvágó kés ne érje el a földet.
- Tartsa be ezeket az utasításokat, hogy csökkenthesse annak esélyét, hogy a levágott fű a fűvágó kése tekeredik:
  - Adjon teljes gázt.
  - Ne érintse a levágott fűvet a fűvágó késsel, miközben a terméket balról jobbra mozdítja.

- A levágott fű összegyűjtése előtt állítsa le a motort és vegye le a terméket a hevederről. Helyezze a terméket a talajra.

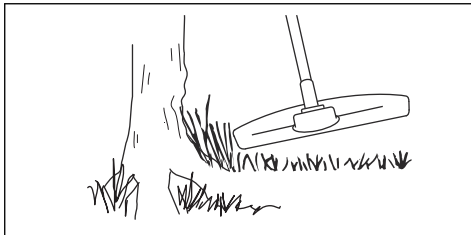
## Fűnyírás a szegélyvágó fej használatával

### Fűszegély nyírás

- Tartsa a szegélynyíró fejet közvetlenül a talajszint felett ferdén. Ne nyomja bele a damilt a fűbe.



- Csökkentse a fűvágó damil hosszát 10-12 cm-re.
- Csökkentse a motor fordulatszámát, hogy megóvja a növényeket a károsodástól.
- Csak 80% gázt adjon, amikor akadályok közelében végez fűnyírást.



### Fűritkítás

- Tartsa a damilfejet a föld fölött.
- Döntse meg a damilfejet.
- A munkaterületen található tárgyak körül a vágódamil végével végezze a nyírást.

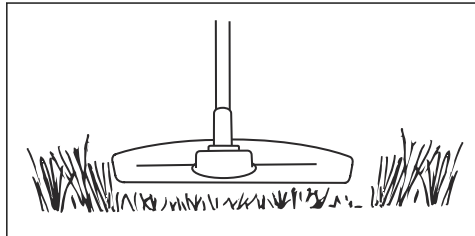


**VIGYÁZAT:** Csak fűvet nyírjon. A vágódamilhoz ütődő egyéb tárgyak gyorsítják a damil kopását.

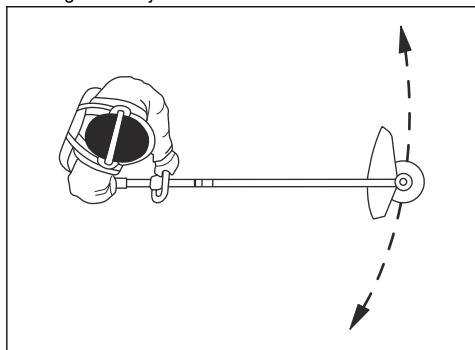
- A növényzet nyírását és ritkítását 80%-os fordulatszámon végezze. Ez csökkenti a damilfej és a vágódamil kopását.

## Fűnyírás

1. A vágódamill a fű nyírásakor legyen párhuzamos a talajjal.



2. Ne nyomja le a talajra a damilfejet. Ezzel kárt tehet a termékben.
3. A fűnyírást kaszáló mozdulatokkal végezze. Dolgozzon teljes fordulatszámom.



## A fű seprése

A forgó zsinór légáramlatával eltávolíthatja a levágott fűvet a munkaterületről.

1. Tartsa a damilfejet és a zsinórt a talaj felett, arra párhuzamosan.
2. Adjon teljes gázt.
3. A szegélyvágó fejet oldalról oldalra mozgatva seperje a fűvet.



**FIGYELMEZTETÉS:** Minden alkalommal tisztítsa meg a damilfej borítását, amikor új vágózsínort helyez fel, hogy egyensúlyt biztosíthasson és elkerülhesse a markolat vibrálását. Ellenőrizze és szükség esetén tisztítsa meg a szegélyvágó fej egyéb elemeit is.

## Karbantartás

### Bevezető



**FIGYELMEZTETÉS:** A termék karbantatása előtt olvassa el és értelmezze a biztonsággal foglalkozó fejezetet.

### Karbantartási terv

Karbantartás	Naponta	Hetente	Havi
Tisztítsa meg a külső felületeket.	X		
Ellenőrizze a heveder épségét.	X		
Ellenőrizze a gázadagoló reteszét és a gázadagolót. Lásd: <i>A gázadagoló reteszének ellenőrzése 356. oldalon.</i>	X		
Keressen sérülést a fogantyún és a markolaton; ellenőrizze, hogy megfelelően vannak-e rögzítve.	X		
Ellenőrizze a leállítókapcsolót. Lásd: <i>A leállítókapcsoló ellenőrzése 357. oldalon.</i>	X		

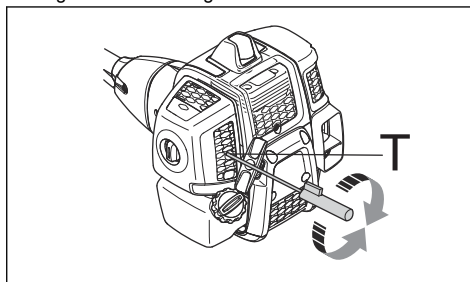
Karbantartás	Naponta	Hetente	Havi
Győződjön meg arról, hogy a vágófelszerelés alapjárat fordulatszámom nem fog.	X		
Tisztítsa meg a légszűrőt. Ha sérült, cserélje ki.	X		
Keressen sérülést és repedést a vágófelszerelés védőburkolatán.	X		
Ellenőrizze, hogy a fűrésztárcsa vagy fűvágó kés megfelelően van-e rögzítve. Ellenőrizze, hogy a fűrésztárcsa vagy fűvágó kés éles és sértetlen-e.	X		
Keressen sérülést és repedést a szegélyvágó fejen. Ha sérült, cserélje ki.	X		
Szorítsa meg teljesen a rögzítőanyát a rögzítőanyával ellátott vágófelszerelésen.	X		
Keressen sérülést a szállítási biztosítószerkezeten; ellenőrizze, hogy megfelelően csatlakoztatható.	X		
Húzza meg a csavarokat és az anyákat.	X		
Keressen szivárgást a motoron, az üzemanyagtartályon és az üzemanyag-vezetékeken.	X		
Keressen sérülést az indítón és az indítózsínóról.		X	
Ellenőrizze a gyújtógyertyát. Lásd: <i>A gyújtógyertya ellenőrzése.374. oldalon.</i> Szükség esetén cserélje ki a gyújtógyertyát. Bizonyosodjon meg róla, hogy a gyújtógyertya olyan típusú, amely a rádióadást nem zavarja.		X	
Tisztítsa meg a porlasztó külsejét és környezetét.		X	
Ellenőrizze, hogy a szöghajtás megfelelően fel van-e töltve zsírral. Lásd: <i>Szöghajtás374. oldalon.</i>		X	
Ellenőrizze, hogy az üzemanyagszűrő nincs-e elszennyeződve, és hogy az üzemanyag-vezetékeken nincsenek-e repedések vagy egyéb sérülések. Szükség esetén cserélje ki.			X
Ellenőrizze az összes kábelt és csatlakozót.			X
Cserélje a gyújtógyertyát. Bizonyosodjon meg róla, hogy a gyújtógyertya olyan típusú, amely a rádióadást nem zavarja.			X

## Az alapjárat fordulatszám beállítása

A magas és alacsony fordulatszám tije állandó szinten van rögzítve, és nem módosítható. Egyedül az alapjárat fordulatszám funkció módosítható.

1. Az alapjárat fordulatszám beállításának megkezdése előtt indítsa be a motort, és hagyja felmelegedni.

2. Csavarja az alapjárat-beállító csavart az óramutató járásával megegyező irányba, amíg a vágófelszerelés forogni nem kezd.



3. Csavarja az alapjárat-beállító csavart az óramutató járásával ellenkező irányba, amíg a vágófelszerelés le nem áll.

4. Az alapjáratú fordulatszámnak alacsonyabbnak kell lennie a vágófelszerelés forgásához szükséges fordulatszámnál. Az alapjáratú fordulatszám akkor van helyesen beállítva, ha a motor minden helyzetben egyenletesen jár.

## A hangfogó karbantartása

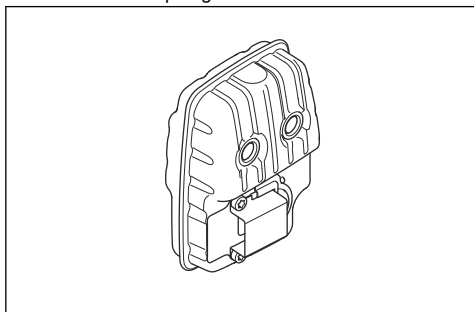
A hangfogó csökkenti a zajszintet, és eltereli a kipufogógázokat a gép kezelőjétől.



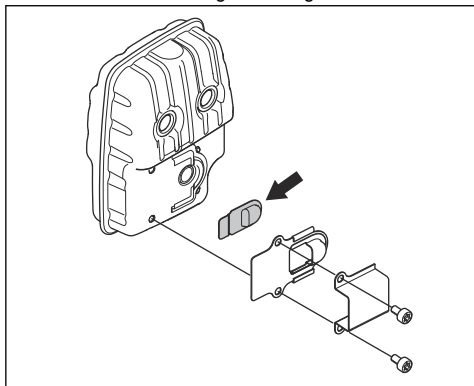
### FIGYELMEZTETÉS: A

katalizátorral ellátott hangfogók erősen felhevülnek üzemeltetés közben, és egy ideig a termék leállítását követően is forróak maradnak. Ez az üresjáratra is vonatkozik. A termék megérintése égési sérülést okozhat. Ne feledkezzen meg a tűzveszélyről.

1. Állítsa le, és hagyja lehűlni a terméket.
2. Távolítsa el a kipufogódobot.



3. Távolítsa el a szikrafogó hálót rögzítő csavarokat.



4. Eltömődés esetén tisztítsa meg, sérülés esetén pedig cserélje ki a szikrafogó hálót.



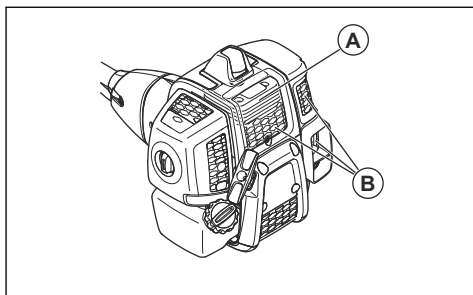
**VIGYÁZAT:** Ha a szikrafogó háló megsérült, akkor ki kell cserélni. Ha a hangfogó szikrafogó hálója hiányzik vagy hibás, ne használja a terméket.



**VIGYÁZAT:** Ha a szikrafogó háló gyakran eltömődik, ez annak lehet a jele, hogy csökkent a katalizátor teljesítménye. A hangfogó ellenőrzésével kapcsolatban forduljon a szakszervizhez. Egy eltömődött szikrafogó háló a termék túlmelegedéséhez, valamint a henger és a dugattyú sérüléséhez vezet.

## A hűtőrendszer tisztítása/karbantartása

A termék hűtőrendszerrel van felszerelve. A szennyezett vagy eltömődött hűtőrendszer a gép túlhevüléséhez vezethet, ami a dugattyú és a henger károsodását okozhatja. Ellenőrizze és tisztítsa meg kefével a hűtőrendszert hetente egyszer, erős igénybevétel esetén gyakrabban is. A hűtőrendszer a hengeren (A) és a levegőbeömlő nyíláson (B) található hűtőbordákból áll.



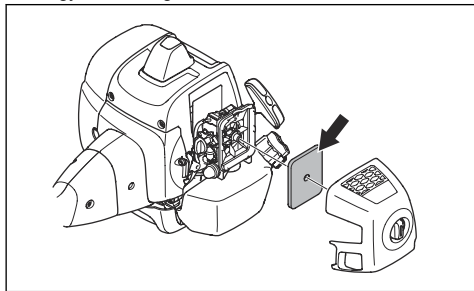
## Légszűrő

A szennyezett légszűrő karburátorhibát, indítási problémákat, a motorteljesítmény romlását és a motoralkatrészek kopását okozhatja. Emellett a motor a szükségesnél több üzemanyagot használhat fel. Tisztítsa a szűrőt legalább 8 óránként, vagy ennél gyakrabban, ha a terméket poros környezetben használja.

**Megjegyzés:** A légszűrő tisztítása vagy cseréje után szükség lehet a motor beállítására. Lásd: *Az alapjáratú fordulatszám beállítása* 372. oldalon.

## A levegőszűrő tisztítása és ellenőrzése

1. Vegye ki a levegőszűrőt.



2. Fúvassa ki a filc levegőszűrőt sűrített levegővel.

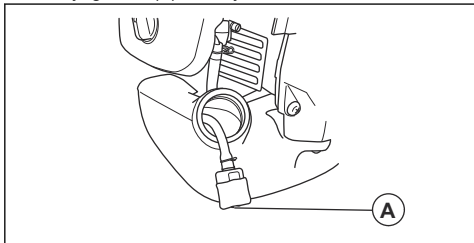


**VIGYÁZAT:** Cserélje ki a filc levegőszűrőt, ha az nem tisztítható meg teljesen. Mindig cserélje ki a sérült filc levegőszűrőt.

3. Tisztítsa meg a levegőszűrő fedelének belső felületét. Ezt sűrített levegő vagy egy kefe segítségével végezheti el.

## Üzemanyagszűrő

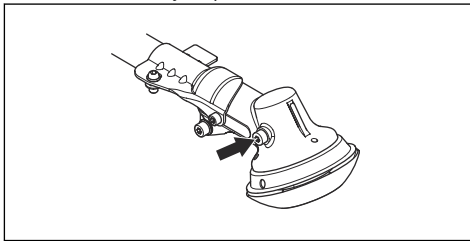
Ha a motor nem kap elég üzemanyagot, győződjön meg róla, hogy a tanksapkán lévő szellőzőnyílás és az üzemanyagszűrő (A) szennyeződésmentes-e.



## Szöghajtás

A szöghajtás gyárilag fel van töltve megfelelő mennyiségű zsírral. A termék használata előtt azonban

ellenőrizze, hogy a szöghajtás 3/4 részig fel van-e töltve kenőzsírral. Használjon speciális McCulloch zsírt.



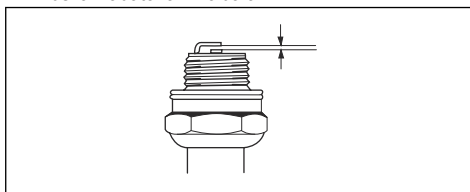
A szöghajtásban található kenőzsírt csak a szöghajtás javítása esetén kell kicserélni.

## A gyújtógyertya ellenőrzése.



**VIGYÁZAT:** Használja mindig az előírt típusú gyújtógyertyát. A nem megfelelő gyújtógyertya károsíthatja a terméket.

- Vizsgálja meg a gyújtógyertyát, ha gyenge a motor, nehezen indul, vagy egyenetlen az alapjárata.
- A gyújtógyertya elektródái közötti lerakódások kialakulásának csökkentése érdekében tartsa be az alábbi utasításokat:
  - a) gondoskodjon az alapjárat fordulatszám megfelelő beállításáról;
  - b) gondoskodjon a megfelelő üzemanyag-keverékről;
  - c) gondoskodjon a levegőszűrő tisztaságáról.
- Ha a gyújtógyertya piszkos, tisztítsa meg, és ellenőrizze, hogy a szikraköz megfelelő-e, lásd: *Műszaki adatok 374. oldalon.*



- Szükség esetén cserélje ki a gyújtógyertyát.

## Műszaki adatok

	B40 B Elíte	B40 BT Elíte
<b>Motor</b>		
Hengerűrtartalom, cm <sup>3</sup>	40,1	40,1
Hengerátmérő, Ø mm	40,5	40,5
Henger lökethossza, mm	31,1	31,1
Üresjárat fordulat/szám, ford./perc	3000	3000

	<b>B40 B Elite</b>	<b>B40 BT Elite</b>
Javasolt maximális fordulatszámot, ford./perc	12000	12000
Kimenőtengely fordulatszáma, ford./perc	8220	8220
Legnagyobb motorteljesítmény az ISO 8893 szabvány szerint, kW/ford./perc	1,5/9000	1,5/9000
<b>Gyújtásrendszer</b>		
Gyújtógyertya	NGK CMR7H-10	NGK CMR7H-10
Elektródahézag, mm	1,0-0,9	1,0-0,9
<b>Üzemanyag- és olajozási rendszer</b>		
Karburátor gyártója/típusa	Ruixing H225D-	Ruixing H225D-
Üzemanyagtartály úrtartalma, l/cm <sup>3</sup>	1/1000	1/1000
<b>Tömeg</b>		
Tömeg üzemanyag, vágófelszerelés és védőburkolat nélkül, kg	7,3	7,4
<b>Zajkibocsátás<sup>40</sup></b>		
Hangteljesítményszint, dB(A)-ben mérve	112	112
Hangteljesítményszint, garantált, L <sub>WA</sub> dB(A)	118	118
<b>Zajszintek<sup>41</sup></b>		
A kezelő hallószervére gyakorolt, EN ISO 11806 és ISO 22868 szabvány szerint mért ekvivalens hangnyomásszint, dB(A), min./max.		
Szegélyvágó fejjel ellátva (eredeti)	100	100
Fűvágó késsel ellátva (eredeti)	99	99
Fűrészláncával ellátva (eredeti)	–	99
<b>Rezgésszintek<sup>42</sup></b>		
Az EN ISO 11806 és az ISO 22867 szabvány szerint mért ekvivalens rezgésszintek (a <sub>h<sub>v</sub>,eq</sub> ) a fogantyún, m/s <sup>2</sup>		
Szegélynyíró fejjel ellátva (eredeti), bal/jobb	3,4/4,4	3,4/4,4
Fűvágó késsel ellátva (eredeti), bal/jobb	5,2/5,1	5,2/5,1
Fűrészpengével ellátva (eredeti), bal/jobb	–	4,5/4,2

<sup>40</sup> A környezetben a 2000/14/EK sz. EK irányelvvel összhangban hangteljesítményként mért zajkibocsátás (L<sub>WA</sub>). A gép jelentésben szereplő hangteljesítményszintjét a legmagasabb szintet produkáló eredeti vágófelszereléssel mérték. A garantált és a mért hangteljesítmény közötti különbségnek az az oka, hogy a garantált hangteljesítmény tartalmazza a mérési eredményben lévő ingadozást és az azonos modellű gépek közti eltéréseket is a 2000/14/EK jelű irányelv értelmében.

<sup>41</sup> Az ekvivalens hangnyomásszintre vonatkozó jelentési adatok az 1 dB (A) tipikus statisztikus ingadozásával (szórásával) rendelkeznek.

<sup>42</sup> A rezgésszintre vonatkozó jelentési adatok az 1 m/s<sup>2</sup> tipikus statisztikus ingadozásával (szórásával) rendelkeznek.

<b>B40 B Elite, B40 BT Elite</b>		
<b>Eredeti tartozékok</b>	<b>Típus</b>	<b>Vágófelszerelés védőburkolata, cikksz.</b>
Pengék/vágófejek központi furata, Ø 25,4 mm		
Kimenőtengely csavarmenete: M12		
Fűpenge/fűvágó kés	Fűvágó kés 255-4, 1" (Ø 255 4 fog)	580 30 50-01
	Fűvágó kés 255-3 (Ø 255 3 fog)	580 30 50-01
Fűrész tárcsa	Fűrészpenge 200-22 (ø 200-22 fog)	581 33 84-01
Damilfej	P35	580 30 50-01
Támasztócsésze	Fix	–



---

# EK megfelelési nyilatkozat

---

## EK megfelelési nyilatkozat

**Husqvarna AB**, SE-561 82 Husqvarna, Svédország, tel: +46-36-146500, kijelenti, hogy azok a **McCulloch B40 B Elite** szegélyvágók, amelyek a 2021 évtől kezdve kaptak sorozatszámot (az év jól látható a típustáblán, a sorozatszám előtt), megfelelnek az EGK TANÁCSA következő IRÁNYELVEINEK:

- a 2006. május 17-i, „gépekre vonatkozó” **2006/42/EK** sz. irányelv
- a 2014. február 26-i, „elektromágneses megfeleléssel kapcsolatos” **2014/30/EU** sz. irányelv
- a 2000. május 8-i, „környezeti zajkibocsátással kapcsolatos” irányelv **2000/14/EK**. Megfelelési felmérés az V. melléklet szerint. A zajszennyezésre vonatkozó további információkat a Műszaki adatok fejezetben találja.
- a 2011. június 8-i, „az egyes veszélyes anyagok elektromos és elektronikus berendezésekben való alkalmazásának korlátozására” vonatkozó irányelv **2011/65/EU**.

A következő szabványok kerültek alkalmazásra:

**EN ISO 12100:2010, CISPR 12:2007+A1:2009, EN ISO 14982:2009, EN ISO 11806-1:2011, EN IEC 63000:2018**

ARISE SMP Svensk Maskinprovning AB, Box 7035, SE-750 07 Uppsala, Sweden önkéntes típusvizsgálatot végzett a Husqvarna AB nevében. A bizonyítványok számai: **SEC/12/2339** - B40 B Elite, B40 BT Elite

Az RISE SMP Svensk Maskinprovning AB a tanács 2000/14/EK irányelve V. függelékének való megfelelést is igazolta.

Husqvarna, 2020-08-25



Pär Martinsson, Fejlesztési igazgató (A Husqvarna AB technikai dokumentációért felelős hivatalos képviselője)

---

## SPIS TREŚCI

---

Wstęp.....	378	Przegląd.....	399
Bezpieczeństwo.....	381	Dane techniczne.....	402
Montaż.....	389	Deklaracja zgodności WE.....	404
Obsługa.....	392	.....	0

---

## Wstęp

---

### Opis produktu

Niniejszy produkt jest wykaszarką do trawy z silnikiem spalinowym.

Nieustannie prowadzone są prace w celu zwiększenia bezpieczeństwa użytkownika i wydajności pracy. Dodatkowe informacje można uzyskać w punkcie serwisowym.

### Przeznaczenie

Produktu należy używać wraz z ostrzem tnącym, tarczą tnącą do trawy lub głowicą żyłkową do ścinania różnego rodzaju roślin. Nie używać produktu do innych zadań niż

przycinanie trawy, wykaszanie trawy i wykaszanie zarośli leśnych. Ostrza tnącego używać do cięcia włóknistych gatunków drewna. Tarczy tnącej do trawy lub głowicy żyłkowej używać do cięcia trawy.

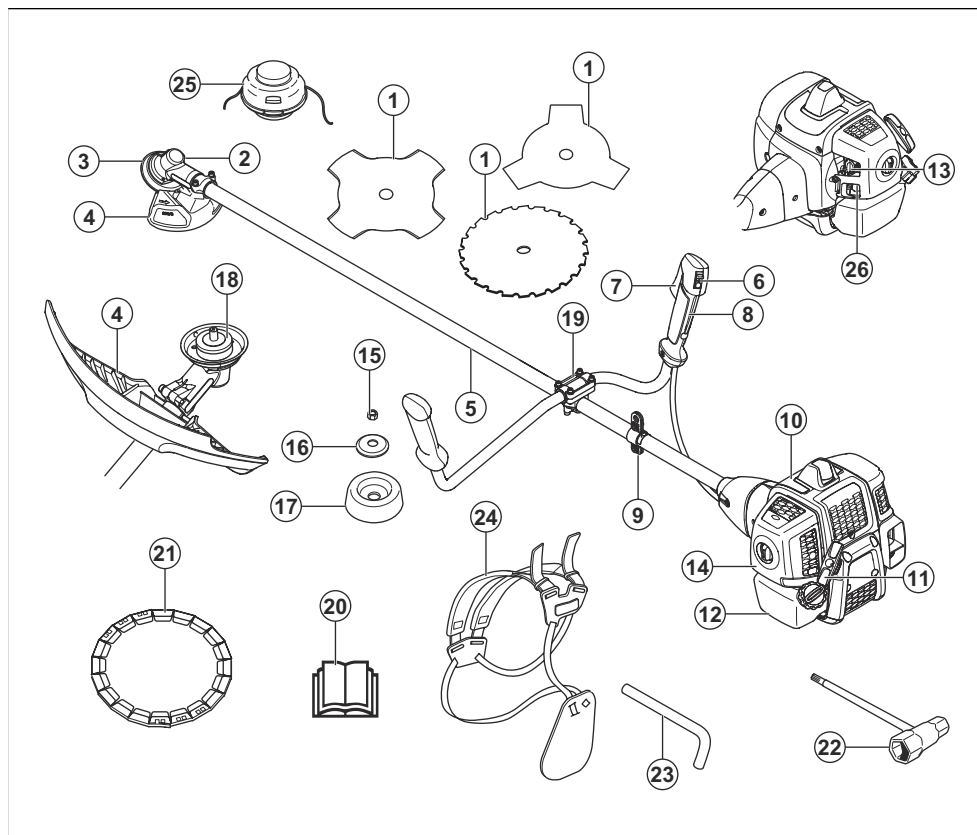
---

**Uwaga:** Użytkowanie może podlegać regulacji przepisami państwowymi lub lokalnymi. Należy przestrzegać odpowiednich przepisów

---

Należy korzystać wyłącznie z akcesoriów zatwierdzonych do użytku przez producenta. Patrz *Dane techniczne na stronie 402*.

## Przegląd produktu



- |   |  |
|---|--|
| 1. Tarcza (nie dla wszystkich rynków)                           | 18. Tarcza zabierakowa                                   |
| 2. Uzupelnianie środka smarującego, przekładnia zębata stożkowa | 19. Zacisk uchwyty sterowniczo                           |
| 3. Przekładnia zębata stożkowa                                  | 20. Instrukcja obsługi                                   |
| 4. Osłona osprzętu tnącego                                      | 21. Osłona transportowa (nie dla wszystkich rynków)      |
| 5. Wałek  | 22. Klucz nasadowy                                       |
| 6. Przycisk stop  | 23. Kołek blokujący (do produktów bez klucza imbusowego) |
| 7. Manetka gazu   | 24. Szelki   |
| 8. Blokada dźwigni gazu   | 25. Głowica żyłkowa                                      |
| 9. Zaczep do zawieszania  | 26. Gruszka pompki paliwa                                |
| 10. Pokrywa cylindra  |  |
| 11. Uchwyt rozrusznika  |  |
| 12. Zbiornik paliwa   |  |
| 13. Dźwignia ssania   |  |
| 14. Pokrywa filtra powietrza                                    |  |
| 15. Przeciwnakrętka   |  |
| 16. Kołnierzyk oporowy  |  |
| 17. Talerz dystansowy   |  |

### Symbole znajdujące się na produkcie



**OSTRZEŻENIE!** Ten produkt może być niebezpieczny. W następstwie nieuważnej lub nieprawidłowej obsługi może dojść do obrażeń ciała lub śmierci operatora bądź innych osób. Aby zapobiec obrażeniom ciała u operatora oraz osób postronnych, należy przestrzegać wszystkich zasad

bezpieczeństwa zawartych w niniejszej instrukcji obsługi.



Przed przystąpieniem do pracy należy dokładnie i ze zrozumieniem zapoznać się z treścią niniejszej instrukcji obsługi.



Stosować kask ochronny w miejscach zagrożonych spadającymi obiektami. Stosować atestowane ochronniki słuchu. Stosować atestowane środki ochrony oczu.



Nosić rękawice ochronne.



Stosować mocne, przeciwpoślizgowe obuwie ochronne.



Należy pamiętać o niebezpieczeństwie wyrzucania cząstek ciał stałych, które mogą spowodować obrażenia ciała.



Maksymalna prędkość wałka zdawczego.



Podczas korzystania z produktu należy zachować minimalną odległość 15 m/50 ft od innych osób lub zwierząt.



Ryzyko niekontrolowanych ruchów noża, jeżeli osprzęt tnący dotknie przedmiotu, który nie zostanie natychmiastowo odcięty. Produkt może odciąć części ciała. Podczas korzystania z produktu należy zachować minimalną odległość 15 m/50 stóp od innych osób lub zwierząt.



Używać wyłącznie elastycznej żyłki tnącej. Nie używać metalowego osprzętu tnącego. Stosować z osłoną do koszenia trawy.



Strzałki wskazują położenie graniczne dla uchwytu.



Gruszka pompki paliwa.



Uzupełnianie paliwa.



Ssanie.



Emisje hałasu do środowiska zgodnie z dyrektywą europejską 2000/14/WE i przepisami Nowej Południowej Walii „Protection of the Environment Operations (Noise Control) Regulation 2017”. Dane dotyczące emisji hałasu można znaleźć na etykiecie urządzenia oraz w rozdziale *Dane techniczne na stronie 402.*



Produkt jest zgodny z odpowiednimi dyrektywami Komisji Europejskiej.

yyyywwxxxx

Tabliczka znamionowa lub laserowy nadruk zawiera numer seryjny: **yyyy** to rok produkcji, a **ww** oznacza tydzień produkcji.

---

**Uwaga:** Pozostałe symbole/naklejki samoprzylepne umieszczone na produkcie dotyczą wymogów związanych z certyfikatami w innych obszarach komercyjnych.

---

## Odpowiedzialność za produkt

Zgodnie z przepisami dotyczącymi odpowiedzialności za produkt nie ponosimy odpowiedzialności za szkody spowodowane przez nasz produkt, jeśli:

- produkt jest nieprawidłowo naprawiany.
- produkt jest naprawiany przy użyciu części nie pochodzących od producenta lub niezatwierdzonych przez producenta.
- produkt jest wyposażony w akcesoria nie pochodzące od producenta lub niezatwierdzone przez producenta.
- produkt nie jest naprawiany w autoryzowanym centrum serwisowym lub przez autoryzowaną placówkę.

## Emisje Euro V



**OSTRZEŻENIE:** Ingerencja w silnik powoduje unieważnienie europejskiego zatwierdzenia typu produktu.

---

# Bezpieczeństwo

## Definicje dotyczące bezpieczeństwa

Poniższe definicje nadają poziom znaczenia każdemu słowu sygnałowemu.



**OSTRZEŻENIE:** obrażenia osób.



**UWAGA:** uszkodzenie produktu.

**Uwaga:** Ta informacja ułatwia używanie maszyny.

## Ogólne zasady bezpieczeństwa



**OSTRZEŻENIE:** Przed rozpoczęciem użytkowania produktu przeczytać następujące ostrzeżenia.

- Niniejszy produkt podczas pracy wytwarza pole elektromagnetyczne. W pewnych okolicznościach pole to może zakłócać pracę aktywnych lub pasywnych implantów medycznych. Przed użyciem tego produktu osoby z wszczepionym implantem medycznym powinny skonsultować się z lekarzem i producentem implantu w celu ograniczenia ryzyka poważnych lub śmiertelnych obrażeń.
- Osoba, która jest zmęczona, chora lub pod wpływem alkoholu, narkotyków lub lekarstw nie może obsługiwać urządzenia. Stany te mają negatywny wpływ na wzrok, uwagę, koordynację i osąd.
- Nie używać produktu w niesprzyjających warunkach atmosferycznych, np. w gęstej mgłę, w mocnym deszczu, przy silnym wietrze lub na silnym mrozie. Praca w złych warunkach pogodowych jest męcząca i niesie ze sobą dodatkowe zagrożenia, np. oblodzenie gruntu czy nieprzewidywalny kierunek obalania drzew.
- Zawsze zachowywać ostrożność i kierować się zdrowym rozsądkiem. Jeśli po przeczytaniu niniejszej instrukcji obsługi występują jakiegokolwiek wątpliwości związane z warunkami pracy lub procedurami obsługi, przed dalszą pracą należy skontaktować się z punktem serwisowym.
- Zdjąć nasadkę świecy zapłonowej, jeśli produkt będzie pozostawiony poza zasięgiem wzroku.

## Instrukcje bezpieczeństwa dotyczące montażu



**OSTRZEŻENIE:** Przed rozpoczęciem użytkowania produktu przeczytać następujące ostrzeżenia.

- Stosować rękawice ochronne podczas montażu produktu i osprzętu tnącego.
- Przed rozpoczęciem montażu produktu odłączyć fajkę świecy zapłonowej od świecy zapłonowej.
- Przed rozpoczęciem pracy z urządzeniem należy upewnić się, że zamontowana jest odpowiednia osłona uchwyty sterowniczej i osprzętu tnącego.
- Uszkodzona lub nieodpowiednia osłona osprzętu tnącego może doprowadzić do odniesienia obrażeń ciała. W żadnym wypadku nie wolno używać osprzętu tnącego bez zamontowanej zatwierdzonej osłony.
- Przed uruchomieniem produktu należy prawidłowo przymocować osłonę sprzęgła i walek.
- Pierścieni sprzęgający i kołnierze oporowe muszą być prawidłowo umieszczone w środkowym otworze osprzętu tnącego. Nieprawidłowy montaż osprzętu tnącego może spowodować obrażenia ciała lub śmierć.
- Przymocować szelki do produktu, aby uniknąć odniesienia obrażeń ciała przez operatora lub osoby postronne.

## Instrukcje bezpieczeństwa dotyczące obsługi



**OSTRZEŻENIE:** Przed rozpoczęciem użytkowania produktu przeczytać następujące ostrzeżenia.

- Przed przystąpieniem do użytkowania należy zapoznać się z różnicami między wykaszaniem zarośli leśnych, wykaszaniem trawy i przycinaniem trawy.
- Stosować środki ochrony osobistej, patrz *Środki ochrony osobistej na stronie 382*.
- Długotrwałe przebywanie w hałasie może doprowadzić do trwałej utraty słuchu. Należy zawsze stosować atestowane ochronniki słuchu.
- Należy słuchać sygnałów ostrzegawczych i głośnych głosów podczas korzystania z ochronników słuchu. Ochronniki słuchu zdejmować po wyłączeniu silnika.
- Nie stosować produktu uszkodzonego lub poddanego nieautoryzowanym modyfikacjom.
- W celu uniknięcia porażenia prądem zadbać, aby kapturek świecy zapłonowej i przewód zapłonowy nie były uszkodzone.

- Rozejrzeć się po obszarze pracy, aby mieć pewność, że nie znajdują się w nim inne osoby, zwierzęta ani obiekty mogące negatywnie wpłynąć na bezpieczeństwo podczas korzystania z produktu.
- Rozejrzeć się po obszarze pracy, aby mieć pewność, że inne osoby lub zwierzęta nie mają kontaktu z osprzętem tnącym ani nie są narażone na uderzenie przez obiekt wyrzucony podczas pracy osprzętu tnącego.
- Nie używać produktu w sytuacjach lub miejscach, w których nie można uzyskać pomocy w razie wystąpienia wypadku.
- Nie używać produktu bez założenia zatwierdzonej osłony osprzętu tnącego.
- Podczas pracy upewnić się, że w odległości co najmniej 15 m / 50 stóp od produktu nie przebywają żadne osoby ani zwierzęta. Zawsze oglądać się za siebie przed obrotem się z produktem. Należy natychmiast wyłączyć produkt, jeśli osoba lub zwierzę zbliży się na odległość 15 m / 50 stóp. Jeśli na tym samym obszarze pracuje więcej niż jeden operator, należy zachować bezpieczną odległość, wynoszącą nie mniej niż 15 m / 50 stóp lub minimum dwukrotność wysokości drzewa.
- Sprawdzić obszar pracy. Unikać wszystkich porzucanych przedmiotów, takich jak kamienie, rozbite szkło, gwoździe, druty i sznurki, które mogą zostać odrzucone przez maszynę lub zaplątać się na osprzęcie tnącym.
- Upewnić się, że można poruszać się bezpiecznie i przyjąć bezpieczną postawę. Sprawdzić, czy w obszarze pracy nie znajdują się przeszkody, np. korzenie, skały, gałęzie i rowy. Zachować ostrożność podczas pracy na zboczach.



- Nie należy przeceniać swoich możliwości. Cały czas trzymać stopy stabilnie na podłożu i zachowywać równowagę.
- Przed uruchomieniem należy umieścić produkt na płaskiej powierzchni w odległości co najmniej 3 m / 10 stóp od źródła paliwa oraz miejsca wlewania paliwa. Upewnić się, że żadne przedmioty nie dotykają osprzętu tnącego ani nie znajdują się w jego pobliżu.
- Jeśli osprzęt tnący obraca się w biegu jałowym, zlecić regulację warsztatowi obsługi technicznej. Nie

używać produktu, dopóki nie zostanie wyregulowany lub naprawiony.

- Uważać na odrzucane przedmioty. Zawsze stosować zatwierdzone środki ochrony oczu i utrzymywać bezpieczną odległość od osłony osprzętu tnącego. Wyrzucone przez osprzęt tnący kamienie lub inne małe przedmioty mogą trafić w oczy i spowodować utratę wzroku lub inne obrażenia.
- Nigdy nie pozostawiać produktu z włączonym silnikiem bez nadzoru.
- Nie próbować odciągać ciętego materiału ani nie pozwalać tego robić innym, kiedy silnik pracuje lub osprzęt tnący się obraca, gdyż może to doprowadzić do poważnych obrażeń.
- Przed przystąpieniem do usuwania materiału owiniętego wokół wałka noża lub zablokowanego między osłoną a osprzętem tnącym bezwzględnie wyłączyć silnik i upewnić się, że osprzęt tnący się nie obraca.
- Należy zachować ostrożność podczas usuwania materiału z okolic osprzętu tnącego. Przekładnia zębata stożkowa nagrzewa się podczas pracy i może spowodować poparzenia.
- Spaliny silnikowe mają wysoką temperaturę, mogą zawierać iskry, które mogą się stać przyczyną pożaru. Ryzyko pożaru. Zachować ostrożność w pobliżu suchych i łatwopalnych materiałów.
- Nigdy nie używać urządzenia w pomieszczeniach zamkniętych lub w miejscu bez odpowiedniej wentylacji. Spaliny zawierają tlenek węgla, który jest bezwonnym, trującym i niebezpiecznym gazem.
- Przed zmianą obszaru pracy wyłączyć silnik. Przed przeniesieniem sprzętu zawsze zakładać osłonę transportową.
- Nadmierne wibracje mogą spowodować uszkodzenia naczyń krwionośnych lub nerwów u osób mających problemy z krążeniem. W przypadku rozpoznania u siebie objawów, których przyczyną może być narażenie na nadmierne wibracje, należy zwrócić się do lekarza. Przykładowymi takimi objawami są drętwienie, brak czucia, „łaskotanie”, „kłucie”, ból, całkowita lub częściowa utrata siły, zmiany koloru skóry lub naskórka. Objawy te występują zazwyczaj w palcach, dłońach lub nadgarstkach. Ryzyko wzrasta przy niskich temperaturach.

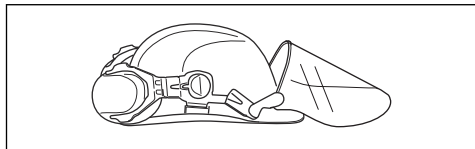
## Środki ochrony osobistej



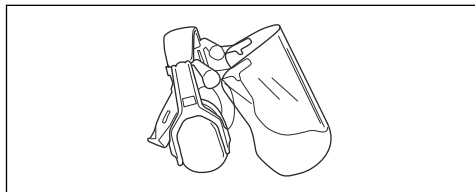
**OSTRZEŻENIE:** Przed rozpoczęciem użytkowania produktu, należy zapoznać się z poniższymi ostrzeżeniami.

- Podczas używania produktu zawsze nosić na sobie zatwierdzone środki ochrony osobistej. Środki ochrony osobistej nie eliminują ryzyka odniesienia obrażeń, ograniczają natomiast ich rozmiar w razie zaistnienia wypadku. Dobór odpowiednich środków ochrony osobistej należy skonsultować z dealermem.

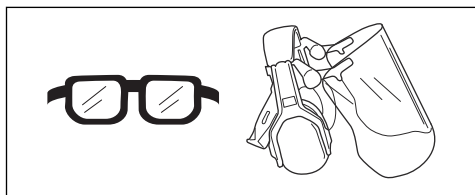
- Jeśli drzewa w obszarze roboczym mają wysokość powyżej 2 m / 6,5 stopy, należy nosić kask ochronny.



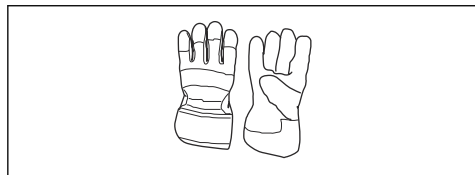
- Stosować atestowane ochronniki słuchu.



- Stosować atestowane środki ochrony oczu. Używając maski ochronnej twarzy, nosić także zatwierdzone okulary ochronne. Za zatwierdzone okulary ochronne uważane są takie, które są zgodne z normami ANSI Z87.1 dla USA lub EN 166 dla krajów UE.



- W razie potrzeby, na przykład podczas mocowania, sprawdzania lub czyszczenia osprzętu tnącego, stosować rękawice ochronne.



- Zakładać obuwie ochronne ze stalowymi noskami i antypoślizgowymi podszewkami.



- Noś odzież wykonaną z mocnego materiału. Noś odzież z długimi nogawkami i długimi rękawami,

wykonaną z mocnego materiału. Luźne części odzieży mogą zahaczyć o krzewy lub gałęzie. Nie nosić biżuterii, krótkich spodni ani sandałów. Nie pracować boso. Związuź włosy w sposób bezpieczny powyżej poziomu barków.

- Zawsze mieć pod ręką apteczkę.



## Zespoły zabezpieczające na urządzeniu

Aby uzyskać informacje na temat lokalizacji urządzeń zabezpieczających, patrz *Ostłona osprzętu tnącego na stronie 384*.



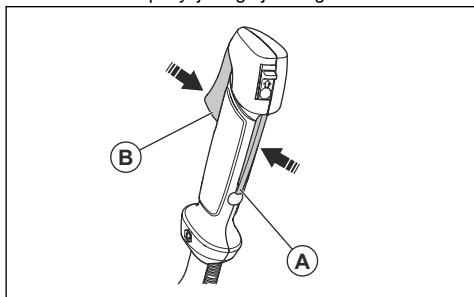
**OSTRZEŻENIE:** Przed rozpoczęciem użytkowania produktu przeczytać następujące ostrzeżenia.

- Nie należy używać maszyny z uszkodzonymi urządzeniami zabezpieczającymi. Regularnie sprawdzać urządzenia zabezpieczające i wykonywać czynności konserwacyjne. Jeśli urządzenia zabezpieczające są uszkodzone, skontaktować się z warsztatem obsługi technicznej McCulloch.
- Nie wolno dokonywać modyfikacji urządzeń zabezpieczających. Nie wolno używać urządzenia, jeśli osłony ochronne, wyłączniki bezpieczeństwa i inne urządzenia zabezpieczające nie są zamontowane lub są uszkodzone.
- Do wykonywania wszelkich prac serwisowych i naprawczych, zwłaszcza w przypadku urządzeń zabezpieczających, konieczne jest specjalistyczne przeszkolenie. Jeśli urządzenia zabezpieczające nie spełniają któregokolwiek z warunków objętych czynnościami kontrolnymi opisanymi w niniejszym podręczniku, należy skontaktować się z warsztatem obsługi technicznej. Gwarantujemy profesjonalną naprawę i serwis. Jeśli dany dealer nie jest autoryzowanym punktem serwisowym, poproś sprzedawcę o informacje na temat najbliższego autoryzowanego punktu serwisowego.
- Nie wolno używać osprzętu tnącego bez zatwierdzonej i prawidłowo zamocowanej osłony. Patrz *Dane techniczne na stronie 402*.

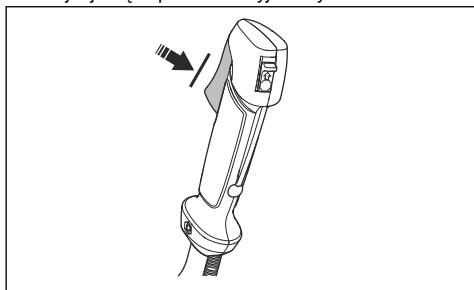
## Sprawdzanie blokady dźwigni gazu

Blokada dźwigni gazu zabezpiecza przed przypadkowym naciśnięciem dźwigni gazu.

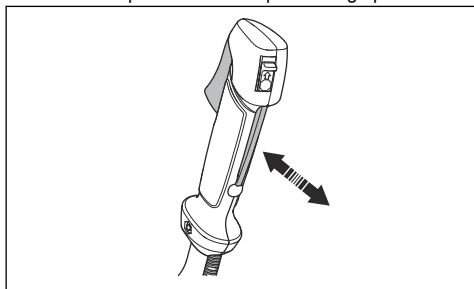
1. Nacisnąć blokadę dźwigni gazu (A) i upewnić się, że dźwignia gazu jest zwolniona (B). Po zwolnieniu uchwytu dźwigni gazu i blokada powrócą do swoich pozycji wyjściowych. Ruch ten kontrolują dwie sprężyny powrotne. Oznacza to, że gdy użytkownik puści uchwyt dźwigni gazu jest automatycznie blokowana w pozycji biegu jałowego.



2. Sprawdzić, czy dźwignia gazu jest zablokowana w położeniu biegu jałowego, gdy blokada dźwigni gazu znajduje się w położeniu wyjściowym.

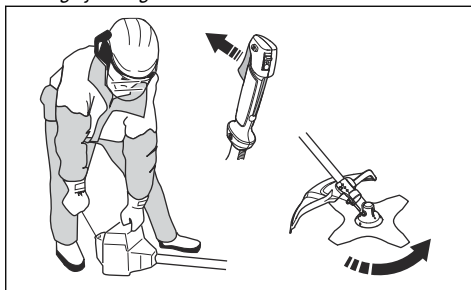


3. Nacisnąć blokadę dźwigni gazu i upewnić się, czy po zwolnieniu powraca ona do pierwotnego położenia.



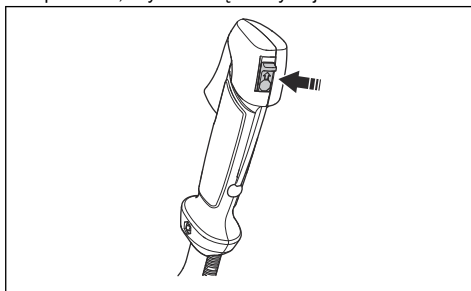
4. Sprawdzić, czy dźwignia gazu i jej blokada poruszają się płynnie i czy sprężyny powrotne działają prawidłowo.
5. Uruchomić urządzenie (patrz wskazówki zawarte w części *Uruchamianie i wyłączenie na stronie 393*) i ustawić maksymalne obroty.

6. Zwolnić dźwignię gazu i upewnić się, że osprzęt tnący zatrzymał się i nie porusza się. Wyregulować gaźnik, jeśli osprzęt tnący porusza się przy przepustnicy w położeniu biegu jałowego. Patrz instrukcje zawarte w rozdziale *Regulacja obrotów biegu jałowego na stronie 400*.



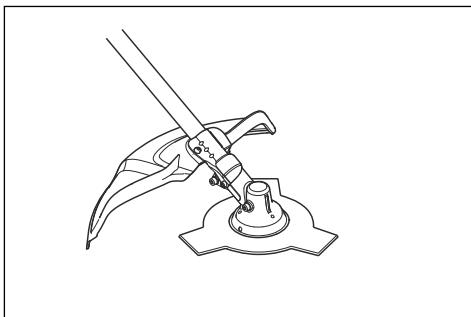
### Sprawdzanie wyłącznika

1. Uruchomić silnik.
2. Przewrócić wyłącznik do położenia STOP i sprawdzić, czy silnik się zatrzymuje.

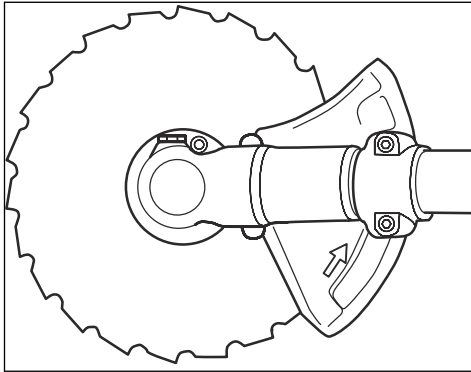


### Oslona osprzętu tnącego

Oslona osprzętu tnącego zapobiega odrzuceniu luźnego przedmiotu w kierunku operatora. Sprawdzić osłonę osprzętu tnącego pod kątem uszkodzeń i w razie potrzeby wymienić ją. Używać wyłącznie zatwierdzonej osłony osprzętu tnącego.

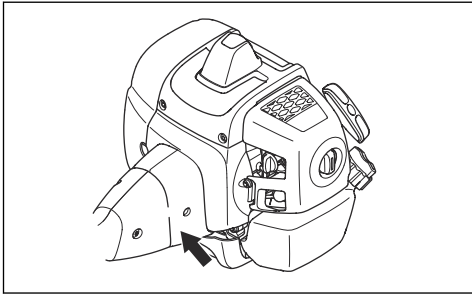






### Sprawdzanie systemu tłumienia drgań

Układ amortyzowania drgań zmniejsza do minimum poziom drgań w uchwytach, aby ułatwić pracę operatorowi.



1. Zatrzymać silnik.
2. Przeprowadzić kontrolę wzrokową pod kątem odkształceń i uszkodzeń, na przykład pęknięć.
3. Upewnić się, że elementy układu tłumienia drgań są prawidłowo zamocowane.

### Sprawdzanie mechanizmu szybkiego rozpinania

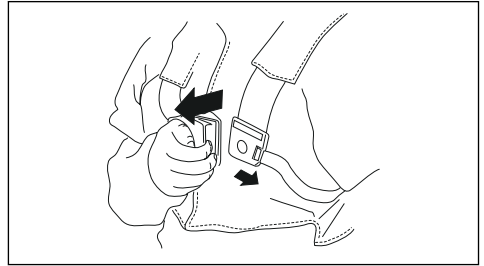


**OSTRZEŻENIE:** Nie używać szelek z zepsutym mechanizmem szybkiego rozpinania.

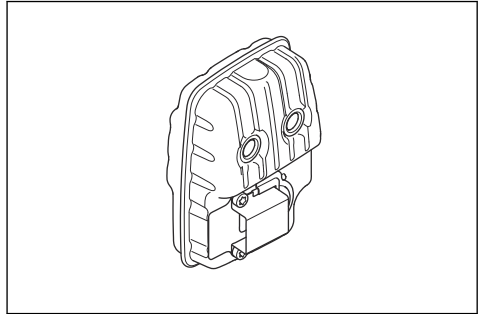
Mechanizm szybkiego rozpinania umożliwia operatorowi szybkie zdjęcie produktu z szelek w sytuacji awaryjnej.

1. Zatrzymać silnik.
2. Przeprowadzić kontrolę wzrokową pod kątem uszkodzeń, na przykład pęknięć.

3. Wypiąć i wpiąć mechanizm szybkiego rozpinania, aby sprawdzić, czy działa prawidłowo.



### Tłumik



- Nie używać silnika z uszkodzonym tłumikiem. Uszkodzony tłumik zwiększa poziom hałasu i ryzyko pożaru. Przechowywać gaśnicę w pobliżu.
- Regularnie sprawdzać, czy tłumik jest przymocowany do maszyny.
- Nie dotykać silnika ani tłumika podczas pracy silnika. Nie dotykać silnika ani tłumika przez pewien czas po zatrzymaniu silnika. Dotknięcie gorącej powierzchni może spowodować obrażenia.
- Gorący tłumik może wywołać pożar. Należy zachować ostrożność w przypadku używania produktu w pobliżu łatwopalnych cieczy lub oparów.
- Nie dotykać części tłumika, jeśli jest on uszkodzony. Części mogą zawierać rakotwórcze środki chemiczne.
- Jeśli produkt jest wyposażony w siatkę przeciwwiskrową, należy ją regularnie czyścić. 🗑️

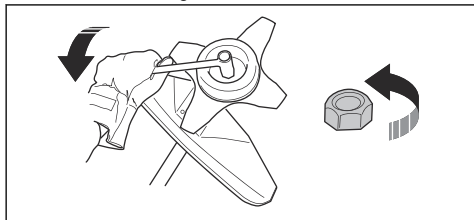
### Montaż i demontaż przeciwnakrętki



**OSTRZEŻENIE:** Zatrzymać silnik, stosować rękawice ochronne i uważać na ostre krawędzie osprzętu tnącego.

Przeciwnakrętka służy do mocowania niektórych rodzajów osprzętu tnącego. Przeciwnakrętka jest lewoskrętna.

- Podczas montażu należy dokręcić przeciwnakrętkę w kierunku przeciwnym do kierunku obrotów osprzętu tnącego.
- Podczas demontażu należy odkręcić przeciwnakrętkę w kierunku zgodnym z kierunkiem obrotów osprzętu tnącego.
- Do odkręcania i dokręcania przeciwnakrętki należy używać długiego klucza nasadowego. Strzałka na ilustracji wskazuje obszar, w którym należy użyć klucza nasadowego.



**OSTRZEŻENIE:** Podczas odkręcania i dokręcania przeciwnakrętki istnieje ryzyko skaleczenia się zębami ostrza tnącego. Należy zawsze upewnić się, że osłona osprzętu tnącego ochrania w tym czasie dłonie.

**Uwaga:** Upewnij się, że nie można odkręcić przeciwnakrętki ręką. Wymienić przeciwnakrętkę, jeśli nylonowy pierścień nie zapewnia oporu co najmniej 1,5 Nm. Po około dziesiątym przykręceniu przeciwnakrętki należy wymienić ją na nową.

### Osprzęt tnący

Wybrać i odpowiednio konserwować osprzęt tnący, aby:

- Uzyskać maksymalną wydajność skrawania
- Przedłużyć okres eksploatacji osprzętu tnącego.
- Zachować zgodność z instrukcjami dotyczącymi kontroli, konserwacji i obsługi tłumika.
- Używać wyłącznie zatwierdzonej osłony osprzętu tnącego. Patrz dane techniczne.



**OSTRZEŻENIE:** Korzystaj wyłącznie z osprzętu tnącego wraz z zalecanymi przez nas osłonami! Patrz rozdział Dane techniczne. Procedura prawidłowego doboru średnicy żyłki wykaszarki i jej zakładania znajduje się w instrukcjach dotyczących osprzętu tnącego.



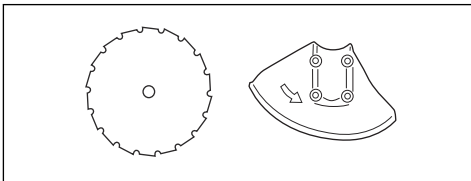
**OSTRZEŻENIE:** Niewłaściwy lub uszkodzony osprzęt tnący zwiększa ryzyko wypadku.



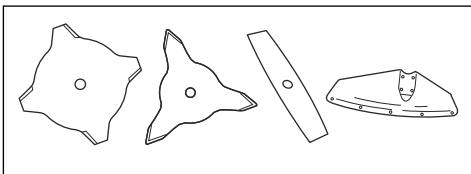
**OSTRZEŻENIE:** Przed przystąpieniem do pracy z jakimkolwiek osprzętem tnącym należy zawsze wyłączyć silnik. Wiruje on jeszcze przez jakiś czas po zwolnieniu dźwigni gazu. Przed przystąpieniem do jakichkolwiek prac należy upewnić się, że osprzęt tnący zatrzymał się całkowicie i odłączyć nasadkę świecy zapłonowej.

### Osprzęt tnący

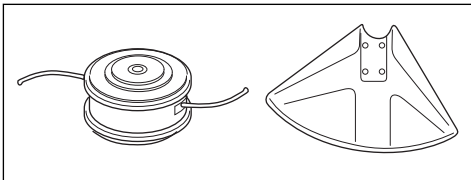
- Do piłowania gatunków drewna opałowego należy użyć tarczy tnącej.



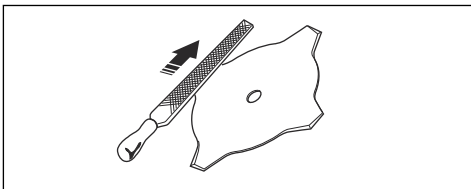
- Do koszenia nierównej trawy należy użyć ostrej i noży tnących do trawy.



- Do cięcia trawy należy użyć głowicy żyłkowej.



- Nieprawidłowo naostrzone bądź uszkodzone ostrza zwiększają ryzyko wypadku. Zęby tnące ostrza powinny być odpowiednio naostrzone. Przestrzegać instrukcji zawartych w części *Ostrzenie noży do trawy i tarcz tnących do trawy na stronie 387* i używać zalecanego prowadnika pilnika.

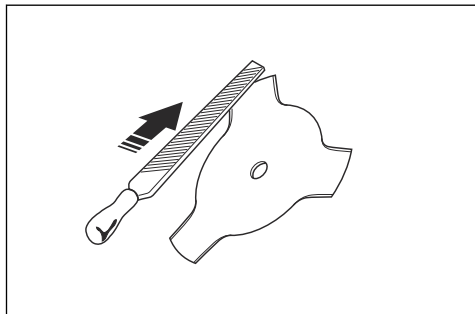


- Sprawdzić, czy osprzęt tnący nie jest uszkodzony ani pęknięty. Wymienić uszkodzony osprzęt tnący.

- Korzystać wyłącznie z osprzętu tnącego wraz z zalecanymi osłonami. Patrz *Dane techniczne na stronie 402*.

## Noże

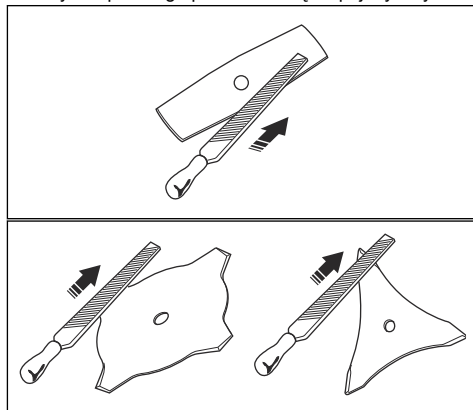
- Korzystać z urządzenia z zatwierdzoną tarczą tnącą. Nie używać tarczy tnącej bez prawidłowego montażu wszystkich wymaganych części. Upewnić się, że montaż został wykonany prawidłowo oraz że użyto prawidłowych części. Nieprawidłowy montaż może spowodować odpadnięcie tarczy i skutkować poważnymi obrażeniami operatora lub osób postronnych.
- W czasie montażu lub konserwacji tarczy należy włożyć rękawice ochronne.
- Podczas korzystania z urządzenia z tarczą tnącą należy stosować środki ochrony głowy.
- Tarcza tnąca może spowodować obrażenia, jeśli obraca się po zatrzymaniu silnika lub zwolnieniu manetki gazu. Przed przystąpieniem do konserwacji należy poczekać, aż tarcza całkowicie przestanie się obracać.
- Wyłączać silnik przed przystąpieniem do pracy z osprzętem tnącym. Poczekać na całkowite zatrzymanie osprzętu tnącego. Zdejmij przewód ze świecy zapłonowej.
- Zęby tnące ostrza powinny być odpowiednio naostrzone.



- Nie wolno używać uszkodzonego osprzętu tnącego.
- Na czas transportu lub przechowywania przymocować osłonę do tarczy tnącej.

## Ostrzenie noży do trawy i tarcz tnących do trawy

- Ostrzyć wszystkie krawędzie nożyc do trawy i tarcz tnących równomiernie, aby zachować równowagę. Używać płaskiego pilnika o nacięciu pojedynczym.

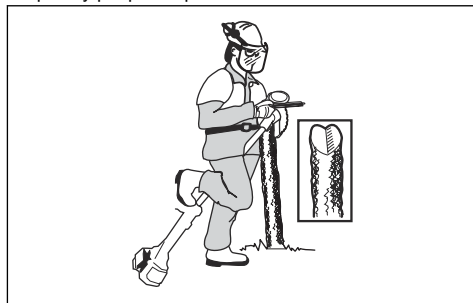


## Ostrzenie ostrza tnącego

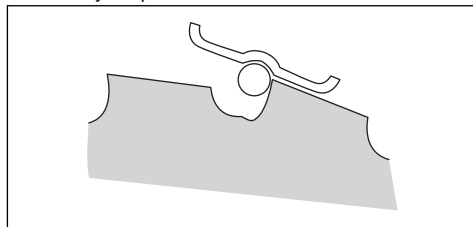


**OSTRZEŻENIE:** Zatrzymać silnik.  
Stosować rękawice ochronne.

- Aby naostrzyć ostrze i zapewnić prawidłowe rozwarście zębów, patrz instrukcje dołączone do tarczy.
- Zadbaj o to, aby produkt i ostrze miały stabilne punkty podparcia podczas ostrzenia.

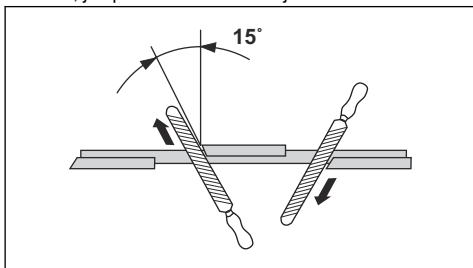


- Użyć okrągłego pilnika o średnicy 5,5 mm (7/32 cala) z uchwytem pilnika.



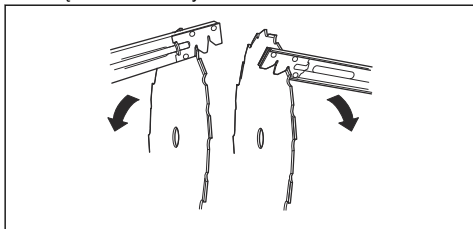
- Przytrzymać plik pod kątem 15°.

- Ostrzyć jeden ząb tarczy tnącej w prawo, a kolejny w lewo, jak pokazano na ilustracji.



**Uwaga:** Naostrzyć krawędzie zębów za pomocą płaskiego pilnika, gdy są mocno zużyte. Kontynuować ostrzenie za pomocą okrągłego pilnika.

- Naostrzyć jednakowo wszystkie krawędzie, aby zachować wyważenie.
- Wyregulować ostrze do wartości 1 mm (0,04 cala) za pomocą zalecanego narzędzia. Patrz instrukcje dołączone do tarczy.

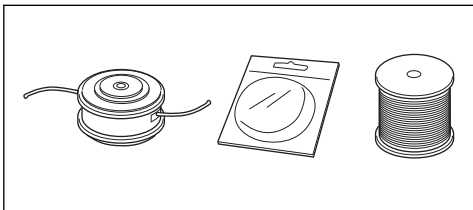


**OSTRZEŻENIE:** Zawsze wyrzucać uszkodzone ostrza. Nie wolno prostować zgięty lub skreconych ostrzy w celu ich ponownego użycia.

### Głowica żytkowa



**OSTRZEŻENIE:** Należy zawsze upewnić się, czy żyłka jest równo i mocno nawinięta na bęben, aby zapobiec generowaniu szkodliwych dla zdrowia drgań.



- Stosować wyłącznie zalecane głowice żytkowe oraz żytki.
- Używać tylko zalecanego osprzętu tnącego.

- Maszyny z silnikiem o małej mocy wymagają stosowania małych głowic żytkowych i vice versa.
- Długość żyłek również jest ważna. Dłuższa żyłka wymaga większej mocy silnika niż krótsza żyłka o tej samej średnicy.
- Zwróć uwagę, aby przecinacz żyłki znajdujący się na osłonie głowicy, nie był uszkodzony. Służy on do przycinania żyłki na odpowiednią długość.
- Przed użyciem należy zamoczyć żyłkę w wodzie na kilka dni, aby wydłużyć jej okres eksploatacji.

### Zasady bezpieczeństwa - paliwo

- Nie uruchamiać produktu, jeśli znajduje się na nim paliwo lub olej silnikowy. Usunąć zabrudzenia paliwem/olejem i odczekać, aż produkt wyschnie. Usunąć niepożądane paliwo z produktu.
- W przypadku rozlania paliwa na ubranie należy je natychmiast zmienić.
- Nie dopuścić do kontaktu paliwa z ciałem, ponieważ może to spowodować obrażenia. Jeśli dojdzie do kontaktu paliwa z ciałem, zmyć paliwo używając wody z mydłem.
- Nie uruchamiać silnika, jeśli doszło do rozlania paliwa lub oleju na maszynę lub na ciało.
- Nie uruchamiać maszyny, jeśli silnik jest nieszczelny. Regularnie sprawdzać silnik pod kątem nieszczelności.
- Zachować ostrożność przy pracy z paliwem. Paliwo jest łatwopalne, a jego opary mogą wybuchnąć, powodując obrażenia lub śmierć.
- Nie wdychać oparów paliwa, ponieważ może to być groźne dla zdrowia lub życia. Zapewnić odpowiednią wentylację.
- Nie palić tytoniu w pobliżu paliwa lub silnika.
- Nie umieszczać gorących przedmiotów w pobliżu paliwa lub silnika.
- Nie dolewać paliwa podczas pracy silnika.
- Przed tankowaniem upewnić się, że silnik jest zimny.
- Przed tankowaniem pomału odkręcić korek zbiornika paliwa i ostrożnie zwolnić ciśnienie.
- Nie dolewać paliwa do silnika w zamkniętym pomieszczeniu. Niewystarczający przepływ powietrza może doprowadzić do obrażeń lub śmierci na skutek uduszenia lub zatrucia tlenkiem węgla.
- Dokładnie dokręcić korek zbiornika paliwa, aby nie dopuścić do pożaru.
- Przed uruchomieniem przesunąć produkt o co najmniej 3 m (10 stóp) od miejsca, w którym było dolewane paliwo.
- Nie wlewać zbyt dużo paliwa do zbiornika.
- Podczas ruchu produktu lub pojemnika na paliwo istnieje niebezpieczeństwo wycieku paliwa. Podjąć odpowiednie działania, aby nie dopuścić do wycieku.
- Nie umieszczać produktu lub pojemnika na paliwo w pobliżu otwartego płomienia, iskry lub płomienia zapłonowego. Należy upewnić się, że w miejscu przechowywania nie ma źródła otwartego płomienia.

- Do transportu i przechowywania paliwa należy używać wyłącznie zatwierdzonych zbiorników.
- Opróżnić zbiornika paliwa przed długim przechowywaniem. Przestrzegać lokalnych przepisów dotyczących utylizacji paliwa.
- Wyczyścić maszynę przed długim przechowywaniem.
- Odłączyć przewód świecy zapłonowej przed przechowywaniem produktu, aby uniemożliwić przypadkowe uruchomienie silnika.

## Instrukcje bezpieczeństwa dotyczące konserwacji

- Jeśli nie jest możliwe wyregulowanie obrotów biegu jałowego w celu zatrzymania osprzętu tnącego, skontaktować się z centrum serwisowym. Nie należy używać produktu, dopóki nie zostanie prawidłowo wyregulowany lub naprawiony.

## Montaż



**OSTRZEŻENIE:** Przed przystąpieniem do montażu produktu zapoznać się z rozdziałem dotyczącym bezpieczeństwa.

### Wstęp



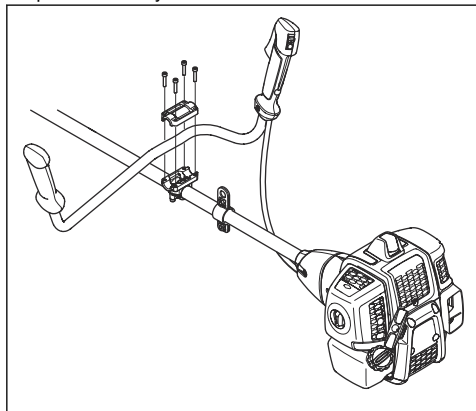
**OSTRZEŻENIE:** Przed złożeniem produktu należy przeczytać ze zrozumieniem rozdział poświęcony bezpieczeństwu.



**OSTRZEŻENIE:** Przed rozpoczęciem montażu produktu odłączyć przewód świecy zapłonowej od świecy zapłonowej.

### Montaż uchwytu sterowniczego

1. Zamocować uchwyt do wspornika montażowego, jak pokazano na rysunku.



### Montaż tarcz tnących i głowic żyłkowych



**OSTRZEŻENIE:** Używać wyłącznie zatwierdzonej osłony tarcz. Patrz *Dane techniczne na stronie 402*. Uszkodzona osłona może spowodować poważne obrażenia ciała.

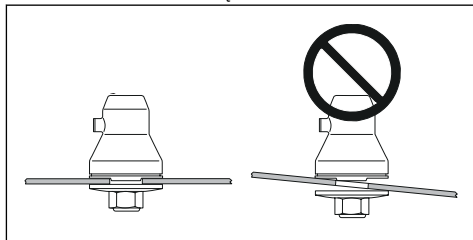


**OSTRZEŻENIE:** W przypadku korzystania z urządzenia z tarczą tnącą do trawy w pierwszej kolejności należy zamontować prawidłowy uchwyt sterowniczy, osłonę tarczy i szelki.



**OSTRZEŻENIE:** Nieprawidłowy montaż tarcz tnących może być przyczyną obrażeń.

1. Należy upewnić się, że uniesiona część tarczy zabierakowej/kołnierza oporowego jest prawidłowo osadzona w środkowym otworze tarcz tnących.
2. Zamontować tarcze tnące.



### Montaż osłony tarczy, tarczy tnącej do trawy i noża do trawy

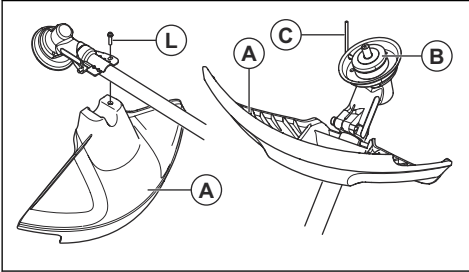


**UWAGA:** Używać wyłącznie zatwierdzonej osłony tarcz. Patrz instrukcja obsługi.

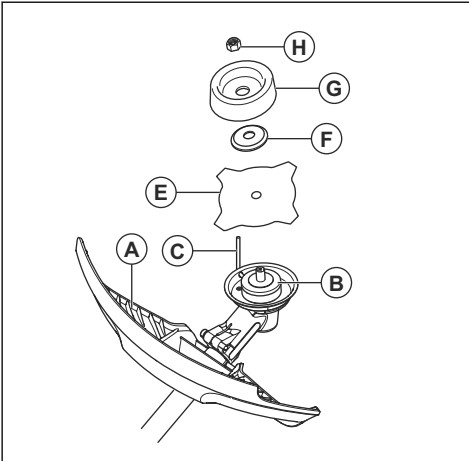


**UWAGA:** Upewnij się, że przedłużenie osłony jest zdemontowane.

1. Założyć osłonę tarczy/osprzętu tnącego (A) na wałek i dokręcić śrubą (L).



2. Zamontować tarczę zabierakową (B) na wałek zdawczy.
3. Obrócić wałek zdawczy, aby jeden z otworów tarczy zabierakowej znalazł się dokładnie naprzeciw odpowiadającego mu otworu w obudowie przekładni.
4. Umieścić kołek blokujący (C) w otworze, aby zabezpieczyć wałek.
5. Założyć na wałek zdawczy tarczę (E), kołnierz oporowy (F) oraz talerz dystansowy (G).
6. Przykręcić nakrętkę (H). Przytrzymać wałek kluczem jak najbliższej osłony tarczy. Aby dokręcić nakrętkę, należy obrócić klucz w kierunku przeciwnym do kierunku obrotów. Nakrętkę należy dokręcać momentem 35–50 Nm (3,5–5 kpm).

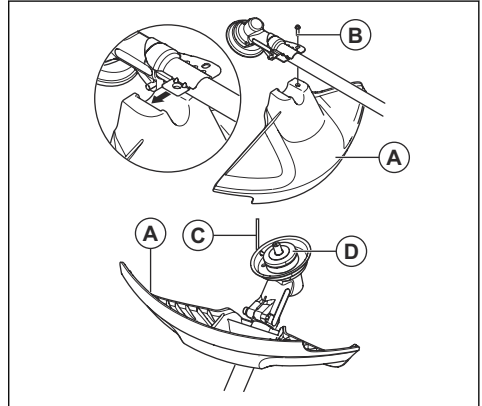


**Uwaga:** Gwint lewoskrętny.

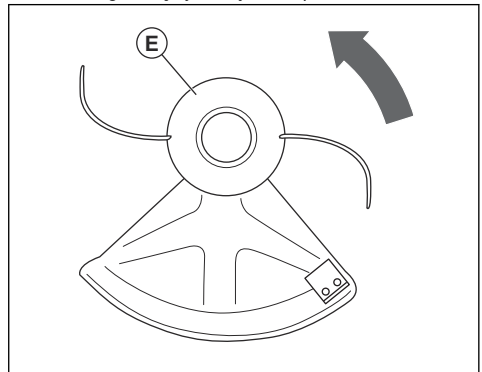
## Montowanie osłony głowicy i głowicy żyłkowej

**Uwaga:** Należy używać prawidłowej osłony głowicy do odpowiedniej głowicy żyłkowej.

1. Zamocować odpowiednią osłonę głowicy / osłonę wielofunkcyjną (A) dla głowicy żyłkowej.
2. Zamontować osłonę głowicy / osłonę wielofunkcyjną wokół wału i dokręcić ją śrubą (B). Użyć kołka blokującego lub klucza imbusowego (C).



3. Włożyć kołek blokujący lub klucz imbusowy (C) w rowek na łbie śruby i dokręcić śrubę.
4. Zamontować tarczę zabierakową (D) na wałek zdawczy.
5. Obrócić wałek zdawczy, aby jeden z otworów tarczy zabierakowej znalazł się dokładnie naprzeciw otworu w obudowie przekładni.
6. Włożyć kołek blokujący lub klucz imbusowy (C) w otwór, aby zablokować wałek.
7. Zamontować głowicę żyłkową / noże plastikowe (E). Obrócić głowicę żyłkową / noże plastikowe w lewo.



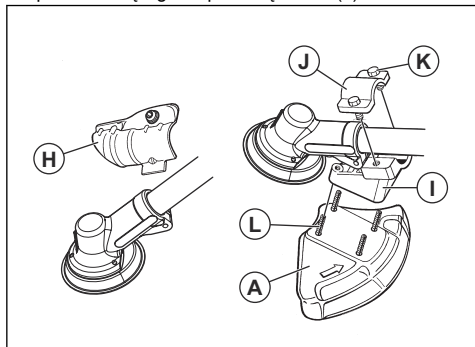
8. W celu demontażu należy wykonać instrukcje w odwrotnej kolejności.

## Montaż osłony tarczy i tarczy tnącej

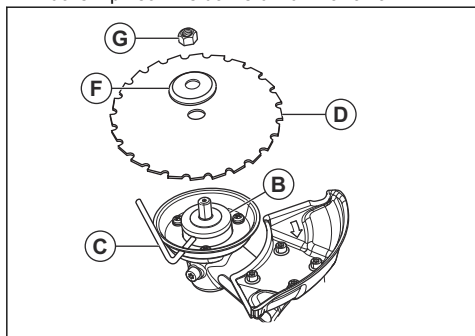


**UWAGA:** Używać wyłącznie zatwierdzonej osłony tarcz. Patrz *Dane techniczne* na stronie 402.

1. Zdemontować płytkę mocującą (H).
2. Zamontować element pośredniczący (I) i zacisk (J) za pomocą dwóch śrub (K).
3. Zamontować osłonę tarczy (A) do elementu pośredniczącego za pomocą 4 śrub (L).

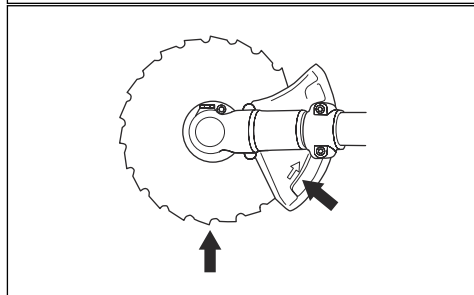
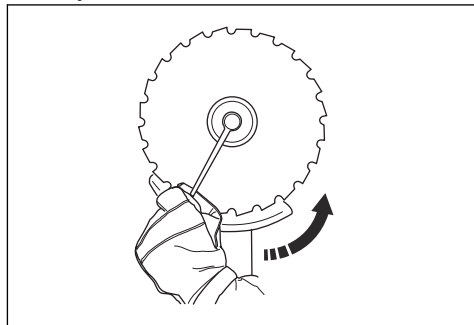


4. Zamontować tarczę zabierakową (B) na wałku zdawczym.
5. Obróć wałek do nasadzenia ostrza, tak aby jeden z otworów pierścienia sprzęgającego zwrócił się z odpowiednim otworem na obudowie przekładni.
6. Włożyć kołek blokujący (C) do otworu, tak aby wałek został zabezpieczony.
7. Umieścić tarczę (D) i kołnierz oporowy (F) na wałku zdawczym.
8. Przykręcić nakrętkę (G). Nakrętkę należy dokręcać momentem 35–50 Nm (3,5–5 kpm). Użyć klucza nasadowego wchodzącego w skład zestawu narzędzi. Trzymać uchwyt klucza możliwie najbliżej osłony tarczy. Nakrętkę przykręca się, obracając kluczem przeciwnie do kierunku wirowania.



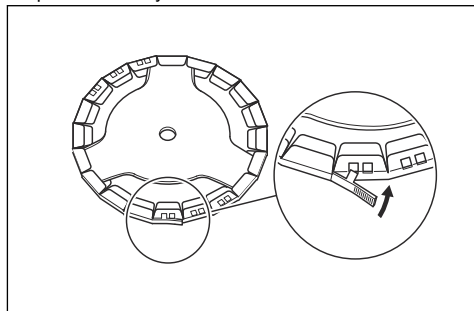
**Uwaga:** Gwint lewoskrętny.

9. Podczas odkręcania i przykręcania nakrętki tarczy tnącej zawsze istnieje ryzyko skażenia się o zęby tarczy tnącej. Należy zatem pamiętać, aby podczas wykonywania tej czynności ręka była chroniona przez osłonę ostrza. Aby było to możliwe, używać zawsze klucza nasadowego z rękojeścią o odpowiedniej długości. Strzałka na rysunku wskazuje obszar, w którym należy operować kluczem nasadowym przy odpowiednim odkręcaniu i dokręcaniu.



## Mocowanie osłony transportowej

1. Zamocować na ostrzu osłonę transportową, jak pokazano na rysunku.



## Regulacja szelek

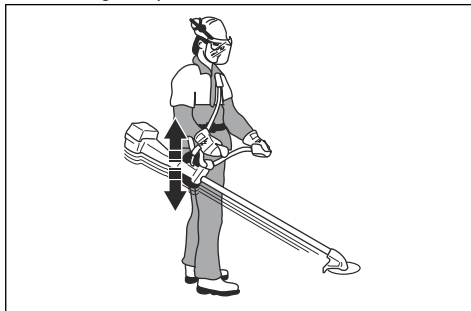


**OSTRZEŻENIE:** Produkt musi być zawsze przyczepiony do szelek. Jeśli tak nie jest, nie można obsługiwać produktu w bezpieczny sposób, co może skutkować odniesieniem obrażeń przez operatora i osoby postronne. Nie należy używać uszkodzonych szelek. Nigdy nie używać szelek z zepsutym mechanizmem szybkiego rozpinania.

1. Nałożyć szelki.
2. Przymocować produkt do szelek.
3. Wyregulować szelki, aby zapewniały jak najlepszą pozycję podczas pracy.
4. Wyregulować boczne paski, aby ciężar produktu rozkładał się równo na oba ramiona.



5. Wyregulować szelki, aby osprzęt tnący znajdował się równoległe do podłoża.



6. Osprzęt tnący powinien lekko przylegać do ziemi. Wyregulować klamrę szelek, aby prawidłowo wyważyć produkt.

**Uwaga:** W przypadku używania tarczy tnącej do trawy musi się ona znajdować około 10 cm /4 cale nad ziemią.

## Obsługa



**OSTRZEŻENIE:** Przed przystąpieniem do używania produktu zapoznać się z rozdziałem dotyczącym bezpieczeństwa.

### Wstęp



**OSTRZEŻENIE:** Przed użyciem urządzenia należy przeczytać ze zrozumieniem rozdział poświęcony bezpieczeństwu.

### Paliwo

Produkt jest wyposażony w silnik dwusuwowy.



**UWAGA:** Nieprawidłowy rodzaj paliwa może doprowadzić do uszkodzenia silnika. Używać mieszanki benzyny i oleju do silników dwusuwowych.

### Wstępnie wymieszane paliwo

- W celu zapewnienia najlepszej wydajności i wydłużenia żywotności silnika należy używać

wstępnie wymieszanego paliwa alkilowego McCulloch. Takie paliwo zawiera mniej szkodliwych substancji chemicznych w porównaniu z tradycyjnym paliwem, dzięki czemu wytwarza mniej szkodliwych gazów wydechowych. Ilość pozostałości po spaleniu tego paliwa jest mniejsza, co zapewnia większą czystość elementów silnika.

### Mieszanie paliwa

#### Benzyzna

- Należy używać wysokiej jakości benzyny bezołowiowej o maks. 10% zawartości etanolu.



**UWAGA:** Nie używać benzyny o liczbie oktanowej niższej niż 90 RON/ 87 AKI. Używanie benzyny o niższej liczbie oktanowej może powodować odgłosy stukania i prowadzić do uszkodzenia silnika.

#### Olej do silników dwusuwowych

- Aby uzyskać najlepsze wyniki i wydajność, należy używać oleju do silników dwusuwowych McCulloch.



- Jeśli olej McCulloch do silników dwusuwowych nie jest dostępny, należy użyć dobrej jakości oleju do silników dwusuwowych chłodzonych powietrzem. Skontaktować się z dealerem ds. serwisu w celu wybrania właściwego oleju.



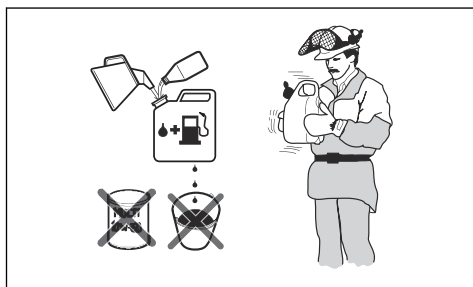
**UWAGA:** Nigdy nie używaj oleju do silników dwusuwowych przeznaczonego do chłodzonych wodą, zaburtowych silników do łodzi. Nie używać oleju przeznaczonego do silników czterusuwowych.

#### Mieszanie benzyny i oleju do silników dwusuwowych

Benzyna, w litrach	Olej do silników dwusuwowych, w litrach
	<b>2% (50:1)</b>
5	0,10
10	0,20
15	0,30
20	0,40
Galony amerykańskie	US fl. oz.
1	2 ½
2 1/2	6 ½
5	12 ¾



**UWAGA:** Podczas mieszania małych ilości paliwa niewielkie błędy mogą mieć znaczny wpływ na proporcje mieszanki. W celu uzyskania prawidłowej mieszanki należy dokładnie odmierzyć ilość dodawanego oleju.



1. Wlać połowę objętości benzyny do czystego pojemnika na paliwo.
2. Wlać pełną ilość oleju.

3. Wymieszać dokładnie paliwo z olejem, potrząsając pojemnikiem.
4. Dodać pozostałą objętość benzyny do pojemnika.
5. Wymieszać dokładnie paliwo z olejem, potrząsając pojemnikiem.



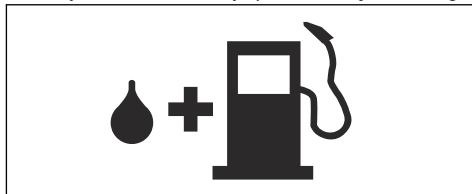
**UWAGA:** Nie mieszać jednorazowo większej ilości paliwa niż wymagana na 1 miesiąc pracy.

#### Napełnianie zbiornika paliwa



**OSTRZEŻENIE:** Należy przestrzegać następującej procedury w celu zapewnienia bezpieczeństwa użytkownika.

1. Wyłączyć silnik i poczekać, aż ostygnie.
2. Oczyścić korek wlewowy i powierzchnię wokół niego.



3. Wstrząsnąć pojemnikiem i upewnić się, że paliwo jest dobrze wymieszone.
4. Wyjąć korek zbiornika paliwa w celu wyrównania ciśnienia.
5. Napełnianie zbiornika paliwa.



**UWAGA:** Upewnić się, że w zbiorniku paliwa nie ma zbyt dużo paliwa. Paliwo rozszerza się po nagraniu.

6. Ostrożnie dokręcić korek zbiornika paliwa.
7. Usunąć rozlane paliwo z produktu i jego otoczenia.
8. Przed uruchomieniem silnika należy przenieść produkt na odległość 3 m/10 stóp lub więcej od miejsca tankowania i przechowywania paliwa.

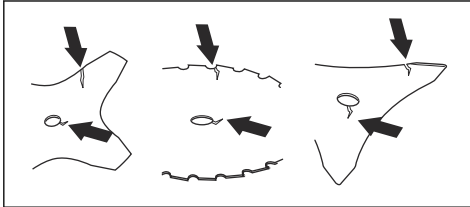
**Uwaga:** Aby sprawdzić, gdzie w produkcie znajduje się zbiornik paliwa, patrz *Przegląd produktu* na stronie 379.

#### Uruchamianie i wyłączanie

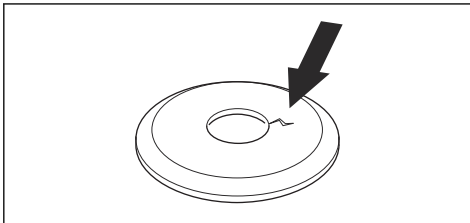
##### Przed użyciem urządzenia

- Sprawdzić obszar roboczy, aby poznać rodzaj terenu i nachylenie podłoża, oraz upewnić się, że nie występują przeszkody takie jak kamienie, gałęzie czy rowy.
- Przeprowadzić inspekcję produktu.

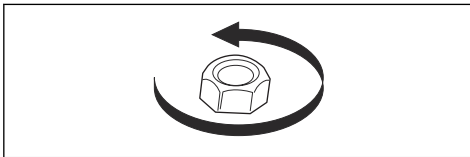
- Wykonać kontrole bezpieczeństwa, czynności konserwacyjne i czynności serwisowe opisane w niniejszej instrukcji.
- Upewnić się, że narzędzie tnące oraz wszystkie pokrywy, osłony i uchwyty są prawidłowo zamocowane i nie są uszkodzone.
- Upewnić się, że nie występują żadne pęknięcia w dolnej części ostrza tnącego lub na zębach tarczy tnącej do trawy, ani w okolicy środkowego otworu zastosowanego ostrza. Wymienić ostrze, jeżeli jest uszkodzone.



- Sprawdzić, czy na kołnierzu oporowym nie ma pęknięć. Wymienić kołnierz oporowy, jeżeli jest uszkodzony.

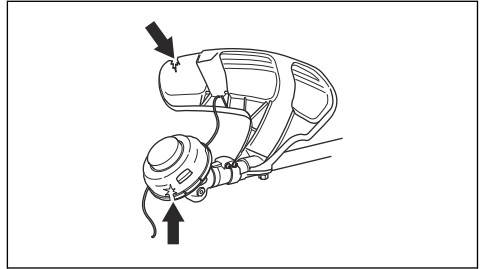


- Upewnić się, że przeciwnakrętki nie da się odkręcić ręką. Jeśli można ją odkręcić ręcznie, oznacza to, że nie jest w stanie utrzymać osprzętu tnącego we właściwej pozycji i należy ją wymienić.



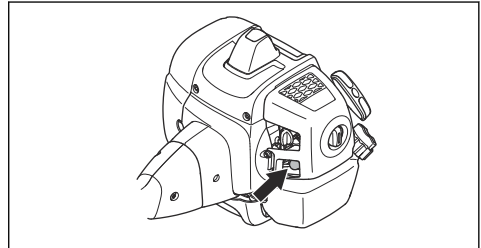
- Sprawdzić osłonę ostrza pod kątem uszkodzeń i pęknięć. Wymienić osłonę ostrza, jeśli została uderzona lub jest pęknięta.
- Sprawdzić głowicę żyłkową i osłonę osprzętu tnącego pod kątem uszkodzeń lub pęknięć.

Wymienić głowicę żyłkową i osłonę osprzętu tnącego, jeżeli zostały uderzone lub są popękane.

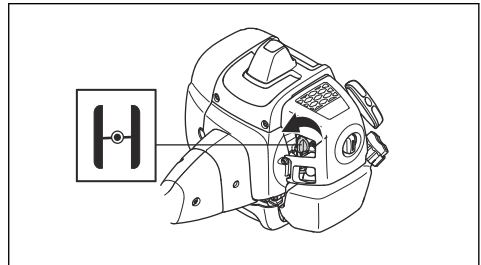


### Uruchamianie silnika

1. Umieścić produkt na płaskiej i stabilnej powierzchni. Osprzęt tnący należy trzymać nad ziemią.
2. Nacisnąć kilkakrotnie gruszkę ręcznej pompy paliwowej, aby napełniła się paliwem. Nie jest konieczne całkowite napełnienie gruszki pompki paliwa.

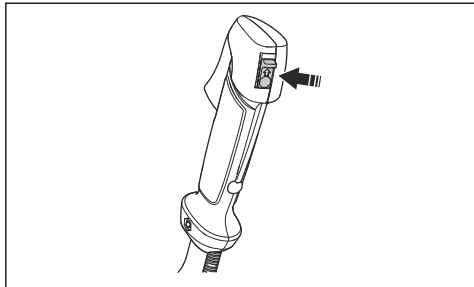


3. Przesunąć dźwignię ssania w położenie włączenia.

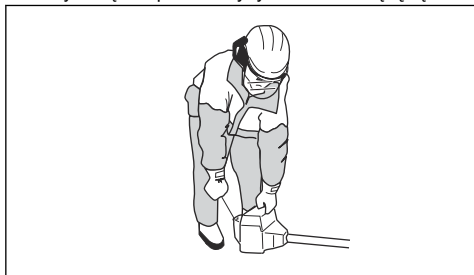


**OSTRZEŻENIE:** Osprzęt tnący zacznie obracać się natychmiast po uruchomieniu silnika z włączonym ssaniem.

4. Przesunąć przełącznik start/stop w położenie pracy.



5. Przycisnąć korpus maszyny do ziemi lewą ręką.



6. Należy trzymać rączkę linki rozrusznika prawą dłonią.  
7. Powoli wyciągnąć linkę rozrusznika prawą ręką aż do wycucia oporu.



**OSTRZEŻENIE:** Nie owijać linki rozrusznika wokół dłoni.

8. Pociągnąć linkę szybkim i mocnym ruchem. Pociągnąć linkę rozrusznika kilkakrotnie aż do uruchomienia silnika.

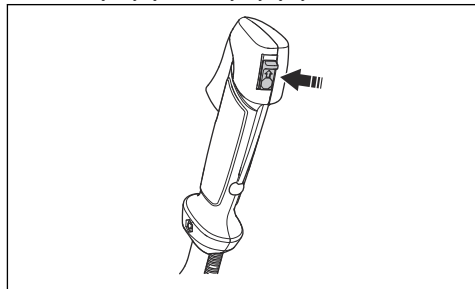


**UWAGA:** Nie wyciągać linki rozrusznika całkowicie ani nie puszczać jej nagle, gdy jest wyciągnięta. Niezastosowanie się do tego zalecenia może spowodować uszkodzenie produktu.

9. Gdy silnik zacznie pracować, wyłączyć ssanie.  
10. Po uruchomieniu silnika stopniowo wyregulować przepustnicę.  
11. Przed rozpoczęciem pracy należy upewnić się, że silnik pracuje płynnie i odczekać przez 1–2 minuty, aż się rozgrzeje.

## Wyłączenie produktu

- Nacisnąć wyłącznik, aby wyłączyć silnik.



## Odbicie tarczy

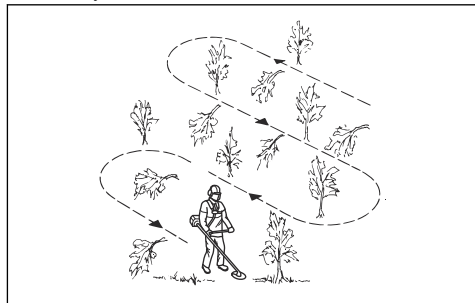
- Odbicie tarczy to gwałtowny ruch urządzenia w bok, do przodu lub do tyłu. Odbicie tarczy następuje, gdy tarcza tnąca do trawy uderzy w przedmiot, którego nie może przeciąć. Ryzyko odbicia tarczy wzrasta w obszarach, w których nie można zobaczyć ciętego materiału.
- W przypadku wystąpienia odbicia tarczy istnieje ryzyko przesunięcia urządzenia lub operatora. Odbita tarcza może uderzyć osoby znajdujące się w pobliżu, stwarzając zagrożenie.
- Jeśli tarcza jest wygięta, popękana, uszkodzona lub zniszczona, należy ją wyrzucić.
- Należy używać ostrej tarczy tnącej. Ryzyko odbicia tarczy wzrasta, gdy tarcza nie jest ostra.

## Ogólne zalecenia robocze

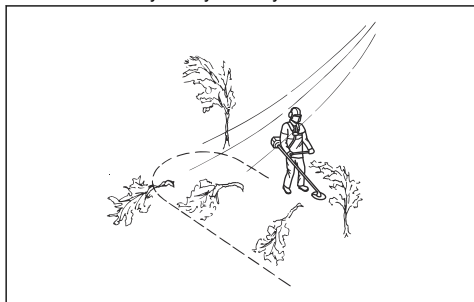


**OSTRZEŻENIE:** Zachować szczególną ostrożność podczas cięcia naprężonych drzew. Przed lub po wykonaniu cięcia mogą one odbić do pierwotnego położenia i uderzyć w operatora lub produkt, powodując obrażenia ciała lub uszkodzenie produktu.

- Wykosić otwartą przestrzeń na jednym końcu obszaru roboczego i rozpocząć pracę z tego końca.
- Poruszać się równomiernym torem przez obszar roboczy.



- Wykonywać pełne ruchy produktem na lewo i prawo, aby wykosić pas szerokości 4-5 m za każdym obrotem.
- Wykosić pas o długości 75 m i zawrócić. Przenieść zbiornik paliwa wraz z kontynuowaniem prac.
- Poruszać się w kierunku, w którym nie trzeba będzie omijać rowów i przeszkód częściej, niż jest to konieczne.
- Poruszać się w takim kierunku, aby wiatr obalał ścinane rośliny na wykoszony obszar.



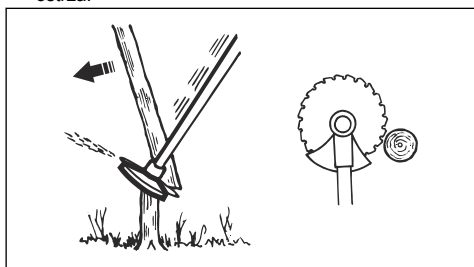
- Poruszać się wzdłuż zbocza, a nie w górę i w dół.

## Wykaszenie zarośli leśnych za pomocą ostrza tnącego

### Obalanie drzewa na lewo

Aby obalić drzewo na lewo, przesunąć jego dolną część w prawo.

1. Włączyć pełen gaz.
2. Przystawić ostrze tnące do drzewa w sposób pokazany na ilustracji.
3. Pochylić ostrze i prowadzić je na ukos w dół w prawą stronę. Naciskać jednocześnie na pień osłoną ostrza.

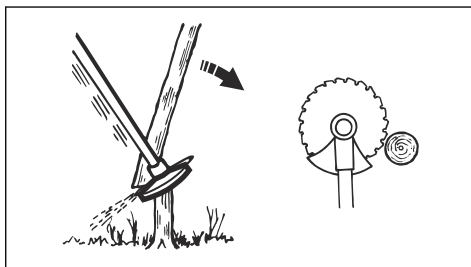


### Obalanie drzewa na prawo

Aby obalić drzewo na prawo, przesunąć jego dolną część w lewo.

1. Włączyć pełen gaz.
2. Przystawić ostrze tnące do drzewa w sposób pokazany na ilustracji.

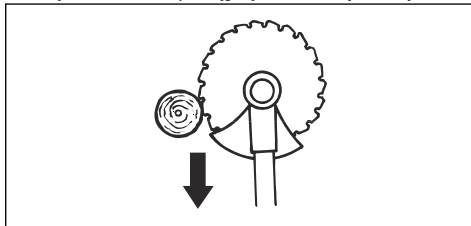
3. Pochylić ostrze i prowadzić je na ukos w górę w prawą stronę. Naciskać jednocześnie na pień osłoną ostrza.



### Obalanie drzewa do przodu

Aby obalić drzewo do przodu, przesunąć jego dolną część do tyłu.

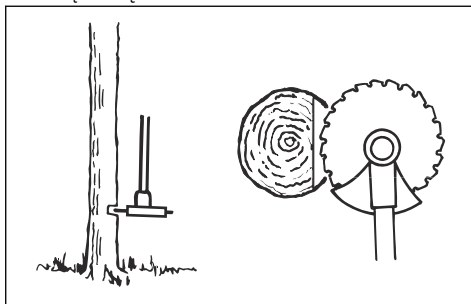
1. Włączyć pełen gaz.
2. Przystawić ostrze tnące do drzewa w sposób pokazany na ilustracji.
3. Szybkim ruchem pociągnąć ostrze tnące do tyłu.



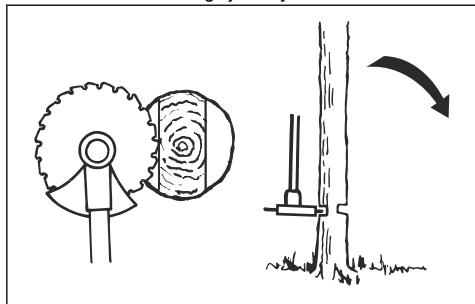
### Obalanie dużych drzew

Szerokie pnie muszą być piłowane z dwóch stron.

1. Ustalić kierunek obalania drzewa.
2. Włączyć pełen gaz.
3. Wykonać pierwsze cięcie na tej stronie drzewa, na którą ma się ono obalić.



#### 4. Ścinać drzewo z drugiej strony.



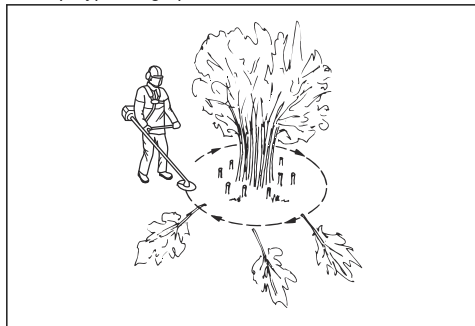
**UWAGA:** Jeśli ostrze tnące się zablokuje, nie ciągnąć produktu gwałtownie. Może to spowodować uszkodzenie ostrza tnącego, przekładni katowej, wysięgnika lub uchwytu sterowniczego. Puścić uchwyt, chwycić obiema rękami za wysięgnik i powoli wyciągnąć produkt.

**Uwaga:** Stosować większy nacisk podczas cięcia w celu obalenia małych drzew. Stosować mniejszy nacisk podczas cięcia w celu obalenia dużych drzew.

#### Wykaszenie krzewów za pomocą ostrza tnącego

Aby obalić drzewo na lewo, przesunąć jego dolną część w prawo.

- Ścinać cienkie drzewa i krzewy.
- Poruszać produktem z boku na bok.
- Ścinać wiele drzew jednym ruchem.
- W przypadku grup cienkich drzew:



- a) Ścinać zewnętrzne drzewa na dużej wysokości.
- b) Ścinać zewnętrzne drzewa na prawidłowej wysokości.

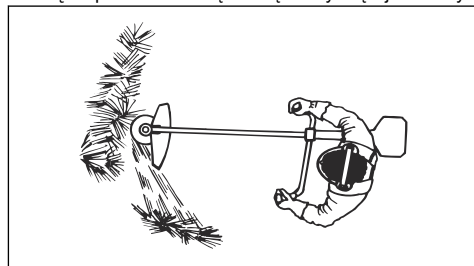
- c) Ścinanie rozpoczynać od środka. Jeśli nie można uzyskać dostępu do środka obszaru, ścinać zewnętrzne drzewa na dużej wysokości. Zmniejsza to ryzyko zablokowania ostrza tnącego.

#### Wykaszenie trawy tarczą tnącą do trawy



**UWAGA:** Nie używać tarczy tnącej do trawy ani noży do trawy do cięcia drewna. Używać tarczy tnącej do trawy oraz noży do trawy do cięcia tylko długich i ciężkich traw.

- Poruszać produktem z boku na bok.
- Podczas cięcia rozpoczynać ruch od prawej do lewej strony. Przesunąć produkt do prawej strony przed kolejnym cięciem.
- Cięcie prowadzić lewą stroną tarczy tnącej do trawy.

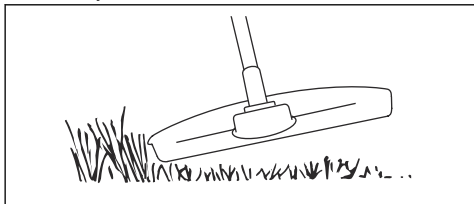


- Ustawić tarczę tnącą do trawy pod kątem w lewo, aby trawa układała się w równych pokosach. Ułatwia to zbieranie skoszonej trawy.
- Zachować stabilną pozycję z rozstawionymi nogami.
- Przesuwać się do przodu po każdym ruchu w prawo i zapewnić stabilną pozycję przed przystąpieniem do kolejnego cięcia.
- Oprzeć delikatnie talerz dystansowy o podłoże, aby mieć pewność, że tarcza tnąca do trawy nie uderzy o podłoże.
- Należy przestrzegać poniższych instrukcji, aby zmniejszyć ryzyko owinięcia się ścinanego materiału wokół tarczy tnącej do trawy:
  - a) Włączyć pełen gaz.
  - b) Nie przesuwaj tarczy tnącej po ściętym materiale podczas poruszania produktem na boki.
- Przed przystąpieniem do zbierania ściętego materiału wyłączyć silnik i wypiąć produkt z szelek. Położyć produkt na podłożu.

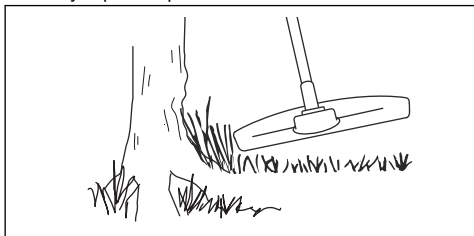
## Przycinanie trawy głowicą żyłkową

### Podkaszanie trawy

1. Trzymać głowicę żyłkową tuż nad ziemią, przechylając ją lekko pod kątem. Nie dociskać żyłki do trawy.



2. Zmniejszyć długość żyłki o 10–12 cm / 4–4,75 cala.
3. Zmniejszyć prędkość obrotową silnika, aby zmniejszyć ryzyko uszkodzenia roślin.
4. Wykorzystać przepustnicę w 80% podczas koszenia trawy w pobliżu przedmiotów.



### Usuwanie trawy

1. Trzymaj głowicę żyłkową nad ziemią.
2. Przechyl głowicę żyłkową.
3. Tnij końcem żyłki wokół obiektów w obszarze roboczym.

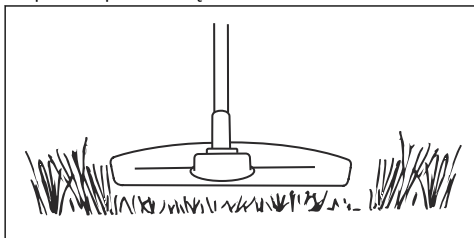


**UWAGA:** Ścinaj trawę. Inne obiekty, które są uderzane przez żyłkę, zwiększają zużycie żyłki.

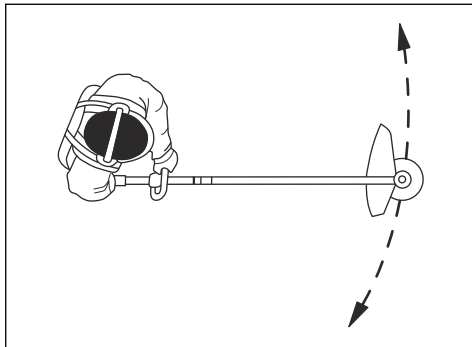
4. Należy użyć 80% prędkości podczas cięcia i czyszczenia roślinności. Zmniejsza to zużycie głowicy żyłkowej i żyłki.

### Koszenie trawy

1. Upewnić się, że żyłka jest ustawiona równolegle do podłoża podczas cięcia.



2. Nie dociskać głowicy żyłkowej do ziemi. Niezastosowanie się do tego zalecenia może spowodować uszkodzenie produktu.
3. Podczas koszenia trawy należy przemieszczać produkt z boku na bok. Pracować przy pełnych obrotach.



### Zamiatanie trawy

Strumień powietrza wytwarzany przez obracającą się głowicę żyłkową można wykorzystać do usuwania skoszonej trawy z danego obszaru.

1. Trzymać głowicę żyłkową oraz żyłkę równolegle nad podłożem.
2. Włączyć pełen gaz.
3. Przesuwać głowicę żyłkową z boku na bok, aby zamieść trawę.



**OSTRZEŻENIE:** Wyczyścić pokrywę głowicy żyłkowej po każdym założeniu nowej żyłki, aby zapewnić prawidłowe wyważenie i zapobiec drganiu uchwytów. Sprawdzić pozostałe elementy głowicy żyłkowej i wyczyścić w razie potrzeby.

# Przegląd

## Wstęp

zapoznać się z rozdziałem dotyczącym bezpieczeństwa.



**OSTRZEŻENIE:** Przed przystąpieniem do konserwacji produktu

## Plan konserwacji

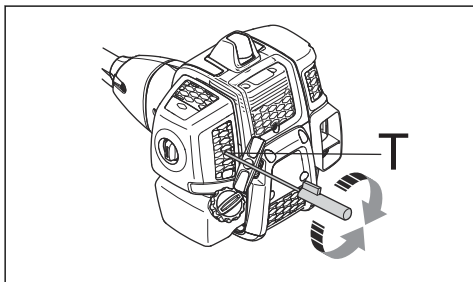
Przegląd	Codziennie	Co tydzień	Co miesiąc
Oczyścić powierzchnię zewnętrzną.	X		
Sprawdzić szelki pod kątem uszkodzeń.	X		
Sprawdzić blokadę dźwigni gazu oraz dźwignię gazu. Patrz <i>Sprawdzanie blokady dźwigni gazu na stronie 383</i> .	X		
Sprawdzić pod kątem uszkodzeń rączkę i uchwyt sterowniczy oraz upewnić się, że są one prawidłowo zamocowane.	X		
Sprawdzić stan wyłącznika. Patrz <i>Sprawdzanie wyłącznika na stronie 384</i> .	X		
Sprawdzić, czy osprzęt tnący się nie obraca, gdy silnik pracuje na biegu jałowym.	X		
Oczyścić filtr powietrza. Wymienić, jeśli jest uszkodzony.	X		
Sprawdzić, czy osprzęt tnący nie jest uszkodzony bądź pęknięty.	X		
Upewnić się, że tarcza tnąca lub tarcza tnąca do trawy są prawidłowo zamocowane. Upewnić się, że tarcza tnąca lub tarcza tnąca do trawy są naostrzone i nieuszkodzone.	X		
Sprawdzić głowicę żyłkową pod kątem uszkodzeń i pęknięć. Wymienić, jeśli jest uszkodzony.	X		
Dokręcić do oporu nakrętkę zabezpieczającą w przypadku osprzętu tnącego wyposażonego w takową.	X		
Sprawdzić osłonę transportową pod kątem uszkodzeń i upewnić się, że można ją prawidłowo założyć.	X		
Dokręcić nakrętki i śruby.	X		
Sprawdzić silnik, zbiornik paliwa i przewody paliwowe pod kątem wycieków.	X		
Sprawdzić rozrusznik i linkę rozrusznika pod kątem uszkodzeń.		X	
Sprawdzić świecę zapłonową. Patrz <i>Sprawdzanie świecy zapłonowej na stronie 401</i> . W razie potrzeby wymienić świecę zapłonową. Upewnić się, czy świeca zapłonowa jest wyposażona w tzw. eliminator zakłóceń radiowych.		X	
Wyczyścić zewnętrzną powierzchnię gaźnika oraz przestrzeń wokół niego.		X	
Sprawdzić, czy przekładnia zębata stożkowa jest prawidłowo wypełniona smarem. Patrz <i>Przekładnia zębata stożkowa na stronie 401</i> .		X	
Sprawdzić, czy filtr paliwa nie jest zanieczyszczony i czy na przewodzie giętkim paliwa nie ma pęknięć ani innych uszkodzeń. W razie potrzeby wymienić.			X
Sprawdzić stan wszystkich przewodów i połączeń.			X

Przegląd	Codzien- nie	Co ty- dzień	Co mie- siąc
Wymienić świecę zapłonową. Upewnić się, czy świeca zapłonowa jest wyposażona w tzw. eliminator zakłóceń radiowych.			X

## Regulacja obrotów biegu jałowego

Iglica wysokich obrotów i iglica niskich obrotów są ustawione na stałe i nie można ich regulować. Obroty biegu jałowego to jedyna funkcją, którą można regulować.

1. Przed przystąpieniem do regulacji obrotów biegu jałowego uruchomić silnik i upewnić się, że jest rozgrzany.
2. Przekręcić śrubę regulacji obrotów biegu jałowego w prawo do momentu, gdy osprzęt tnący zacznie się obracać.



3. Przekręcić śrubę regulacji obrotów biegu jałowego w lewo do momentu, gdy osprzęt tnący zatrzyma się.
4. Wartość obrotów biegu jałowego powinna być niższa od prędkości obrotowej osprzętu tnącego w momencie rozpoczęcia obracania. Obroty jałowe ustawione są prawidłowo, jeżeli silnik pracuje płynnie w każdym położeniu.

## Konserwacja tłumika

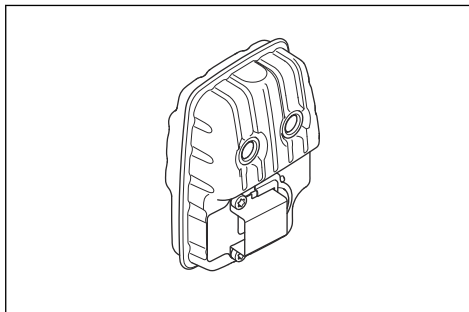
Tłumik obniża poziom hałasu i kieruje gazy spalinowe poza strefę pracy operatora.



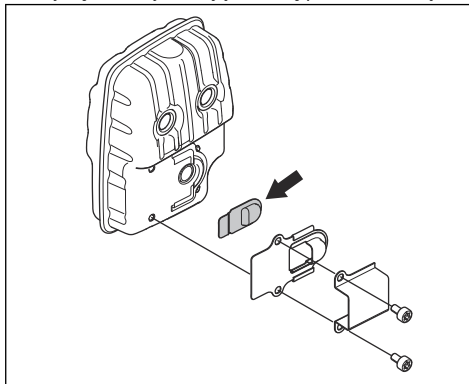
**OSTRZEŻENIE:** Tłumiki z katalizatorem mocno nagrzewają się w trakcie pracy i mogą pozostawać gorące przez pewien czas po wyłączeniu urządzenia. Dotyczy to również pracy silnika na biegu jałowym. Dotknięcie urządzenia może spowodować oparzenia skóry. Należy pamiętać o zagrożeniu pożarem.

1. Wyłączyć produkt i poczekać, aż ostygnie.

2. Zdemontować tłumik.



3. Wykręcić śruby mocujące siatkę przeciwiskrową.



4. Oczyszczyć siatkę przeciwiskrową, jeśli jest ona zapychana. Wymienić ją w przypadku uszkodzenia.



**UWAGA:** Uszkodzoną siatkę przeciwiskrową należy wymienić na nową. Nigdy nie należy używać urządzenia, jeżeli na tłumiku nie ma siatki przeciwiskrowej lub jest ona uszkodzona.

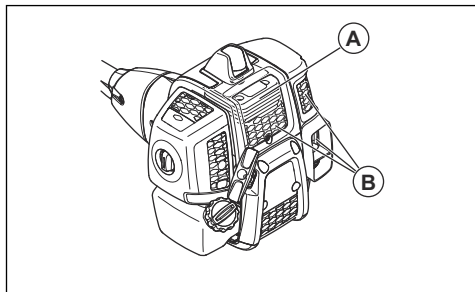


**UWAGA:** Jeżeli siatka zapycha się często, może to oznaczać, że uległa zmniejszeniu efektywność działania katalizatora. W takim przypadku należy oddać tłumik do przeglądu w punkcie serwisowym. W przypadku zapychania siatki silnik nagrzewa się nadmiernie, co może doprowadzić do uszkodzenia cylindra i tłoka.



## Czyszczenie/konserwacja układu chłodzenia

Produkt jest wyposażony w układ chłodzenia. Zanieczyszczony lub zatkany układ chłodzenia powoduje przegrzanie produktu, co może skutkować uszkodzeniem tłoka i cylindra. Sprawdzać i czyścić układ chłodzenia za pomocą szczotki raz w tygodniu lub częściej, gdy zachodzi taka potrzeba. Układ chłodzenia składa się z żeber chłodzących (A) i wlotu powietrza (B).



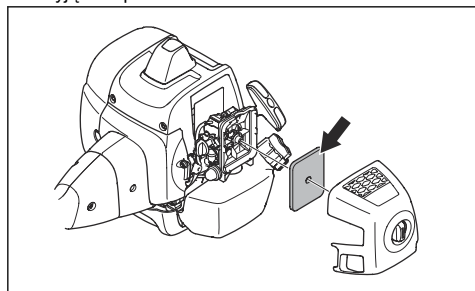
### Filtr powietrza

Zanieczyszczony filtr powietrza może powodować nieprawidłowe działanie gaźnika, problemy z rozruchem, utratę mocy silnika i większe zużycie elementów silnika. Ponadto powoduje zwiększenie zużycia paliwa. Czyścić filtr co 8 roboczogodzin lub częściej, jeśli produkt używany jest w zapyłonych miejscach.

**Uwaga:** Po wyczyszczeniu lub wymianie filtra powietrza może być konieczne przeprowadzenie regulacji silnika. Patrz *Regulacja obrotów biegu jałowego na stronie 400*.

### Czyszczenie i sprawdzanie filtra powietrza

1. Wyjąć filtr powietrza.



2. Oczyszczyć filcowy filtr powietrza za pomocą sprężonego powietrza.



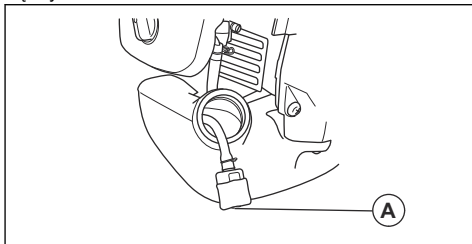
**UWAGA:** Wymienić filcowy filtr powietrza, jeśli nie można go całkowicie

oczyszczyć. Zawsze wymieniać uszkodzony filcowy filtr powietrza.

3. Oczyszczyć wewnętrzną powierzchnię pokrywy filtra powietrza. Użyć sprężonego powietrza lub szczotki.

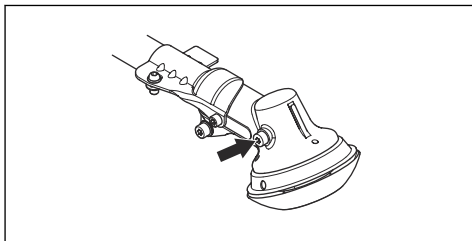
### Filtr paliwa

Gdy silnik gaśnie z powodu braku paliwa, sprawdzić, czy otwór powietrza zakrętki zbiornika paliwa i filtr paliwa (A) są czyste.



### Przekładnia zębata stożkowa

Przekładnia zębata stożkowa jest fabrycznie wypełniona odpowiednią ilością smaru. Jednak przed użyciem urządzenia należy upewnić się, że przekładnia kątowa jest napełniona w 3/4 smarem. Należy użyć specjalnego smaru McCulloch.



Wymiana smaru w przekładni zębatej stożkowej nie jest konieczna, chyba że przekładnia stożkowa została naprawiona.

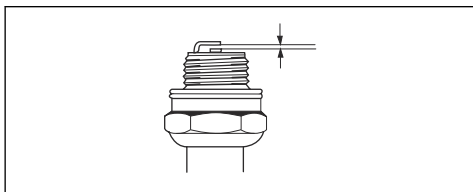
### Sprawdzanie świecy zapłonowej



**UWAGA:** Stosuj wyłącznie świece zapłonowe zalecane przez producenta. Niewłaściwy typ świecy zapłonowej może spowodować uszkodzenie produktu.

- Sprawdzić świecę zapłonową, jeśli silnik ma za małą moc, trudno go uruchomić lub nie działa prawidłowo na biegu jałowym.
- Aby zmniejszyć ryzyko przedostawania się niepożądanych materiałów na elektrody świecy zapłonowej, należy przestrzegać poniższych instrukcji:
  - a) Dopilnować, by obroty biegu jałowego zostały prawidłowo wyregulowane.

- b) Dopilnować, aby używana była odpowiednia mieszanka paliwowa.
- c) Zadbac o czystość filtra powietrza.
- Jeśli świeca zapłonowa jest zabrudzona, należy ją wyczyścić i upewnić się, że odstęp między elektrodami jest prawidłowy, patrz *Dane techniczne na stronie 402*.
- W razie potrzeby wymienić świecę zapłonową.



## Dane techniczne

	B40 B Elite	B40 BT Elite
<b>Silnik</b>		
Pojemność skokowa, cm <sup>3</sup>	40,1	40,1
Średnica cylindra, Ø mm	40,5	40,5
Skok tłoka cylindra, mm	31,1	31,1
Obroty na biegu jałowym, obr./min	3000	3000
Zalecane maks. nadobroty, obr./min	12000	12000
Obroty wałka zdawczego, obr./min.	8220	8220
Maks. moc silnika zgodnie z ISO 8893, kW przy obr./min	1,5 przy 9000	1,5 przy 9000
<b>Układ zapłonowy</b>		
Świeca zapłonowa	NGK CMR7H-10	NGK CMR7H-10
Odstęp między elektrodami, w mm	0,9-1,0	0,9-1,0
<b>Układ zasilania/smarowania</b>		
Producent/typ gaźnika	Ruixing H225D-	Ruixing H225D-
Pojemność zbiornika paliwa, l/cm <sup>3</sup>	1 / 1000	1 / 1000
<b>Waga</b>		
Bez paliwa, osprzętu tnącego i osłony, kg	7,3	7,4
<b>Poziom hałas<sup>43</sup></b>		
Zmierzony poziom mocy akustycznej, w dB(A)	112	112
Poziom głośności, gwarantowana moc akustyczna L <sub>WA</sub> dB(A)	118	118

<sup>43</sup> Emisję hałasu do otoczenia zmierzono jako moc akustyczną (L<sub>WA</sub>), zgodnie z dyrektywą WE 2000/14/WE. Odnotowany poziom ciśnienia akustycznego dla maszyny został zmierzony z oryginalnym osprzętem tnącym, takim który daje najwyższy poziom hałasu. Różnica pomiędzy gwarantowanym a zmierzonym poziomem ciśnienia akustycznego wynika z tego, że poziom gwarantowany zawiera także rozproszenie w wynikach pomiaru oraz różnice pomiędzy różnymi typami maszyn tego samego modelu zgodnie z Dyrektywą 2000/14/WE.

	B40 B Elite	B40 BT Elite
<b>Poziomy głośności<sup>44</sup></b>		
Poziom ciśnienia akustycznego równoważny temu, na który narażony jest użytkownik maszyny, mierzony zgodnie z normami EN/ISO 11806 oraz ISO 22868, dB(A), min./maks.		
W zestawie głowica żyłkowa (oryginalna)	100	100
W zestawie tarcza tnąca do trawy (oryginalna)	99	99
W zestawie tarcza tnąca (oryginalne)	–	99
<b>Poziomy drgań<sup>45</sup></b>		
Równoważne poziomy drgań uchwytów ( $a_{hv,eq}$ ), zmierzone na uchwytach zgodnie z normami: EN ISO 11806 oraz ISO 22867, m/s <sup>2</sup>		
W zestawie głowica żyłkowa (oryginalna), lewa / prawa	3,4 / 4,4	3,4 / 4,4
W zestawie tarcza tnąca do trawy (oryginalna), lewa / prawa	5,2 / 5,1	5,2 / 5,1
W zestawie tarcza tnąca (oryginalna) lewa/prawa	–	4,5 / 4,2

B40 B Elite, B40 BT Elite		
Zatwierdzone akcesoria	Typ	Ochrona osprzętu tnącego, nr art.
Otwór środkowy ostrzy/noży Ø 25,4 mm		
Gwint wałka do nasadzania ostrzy M12		
Tarcza tnąca do trawy/nóż do trawy	Tarcza tnąca do trawy 255-4, 1" (Ø 255 4-zęb.)	580 30 50-01
	Tarcza tnąca do trawy 255-3 (Ø 255 3-zęb.)	580 30 50-01
Tarcza tnąca	Tarcza tnąca 200-22 (Ø 200 22-zęb.)	581 33 84-01
Głowica żyłkowa	P35	580 30 50-01
Talerz dystansowy	Bez regulacji	–

<sup>44</sup> Odnotowane dane dla ciśnienia akustycznego mają typowe rozproszenie statystyczne (odchylenie standardowe) o wartości 1 dB (A).

<sup>45</sup> Odnotowane dane dla poziomu drgań mają typowe rozproszenie statystyczne (odchylenie standardowe) w wysokości 1 m/s<sup>2</sup>.

---

# Deklaracja zgodności WE

---

## Deklaracja zgodności WE

**Husqvarna AB**, SE-561 82 Huskvarna, Szwecja, tel.: +46-36-146500, niniejszym zapewnia, że wykaszarki **McCulloch B40 B Elite**, począwszy od maszyn wyprodukowanych w roku 2021 (rok produkcji jest podany przed numerem seryjnym na tabliczce znamionowej), są zgodne z przepisami zawartymi w DYREKTYWACH RADY:

- dyrektywie maszynowej **2006/42/WE** z 17 maja 2006 r.
- z 26 lutego 2014 r. „dotyczącej kompatybilności elektromagnetycznej” **2014/30/UE**
- dyrektywie **2000/14/WE** „dotyczącej emisji hałasu do otoczenia” z 8 maja 2000 r. Ocena zgodności została przeprowadzona według załącznika V. Informacje dotyczące emisji hałasu można znaleźć w rozdziale Dane techniczne.
- dyrektywie **2011/65/UE** z 8 czerwca 2011 r. dotyczącej ograniczenia użycia niektórych substancji niebezpiecznych w sprzęcie elektrycznym i elektronicznym.

Zostały zastosowane następujące normy:

**EN ISO 12100:2010, CISPR 12:2007+A1:2009, EN ISO 14982:2009, EN ISO 11806-1:2011, EN IEC 63000:2018**

Dobrowolna kontrola homologacyjna na rzecz RISE SMP Svensk Maskinprovning AB została przeprowadzona przez Box 7035, SE-750 07 Uppsala, Sweden, Husqvarna AB. Świadectwa noszą numery: **SEC/12/2339** - B40 B Elite, B40 BT Elite

RISE SMP Svensk Maskinprovning AB zweryfikował także zgodność z załącznikiem V Dyrektywy Rady 2000/14/WE.

Huskvarna, 2020-08-25



Pär Martinsson, dyrektor ds. rozwoju (autoryzowany przedstawiciel Husqvarna AB oraz osoba odpowiedzialna za dokumentację techniczną)

---

## Sisukord

---

Sissejuhatus.....	405	Hooldamine.....	424
Ohutus.....	407	Tehnilised andmed.....	427
Kokkupanek.....	415	EÜ vastavusdeklaratsioon.....	429
Töö.....	418	.....	0

---

## Sissejuhatus

---

### Toote kirjeldus

See toode on sise põlemismootoriga võsalõikur.

Me teeme pidevalt tööd, et tõsta teie ohutust ja tõhusust töötamisel. Lisateabe saamiseks võtke ühendust hooldusesindusega.

### Kasutusotstarve

Eri tüüpi taimestiku lõikamiseks kasutage toodet koos saetera, rohutera või trimmipeaga. Ärge kasutage toodet

muul otstarbel kui muru pügamiseks, rohu niitmiseks ja metsa puhastamiseks. Puitunud tüvede saagimiseks kasutage saetera. Rohu lõikamiseks kasutage rohutera või trimmipead.

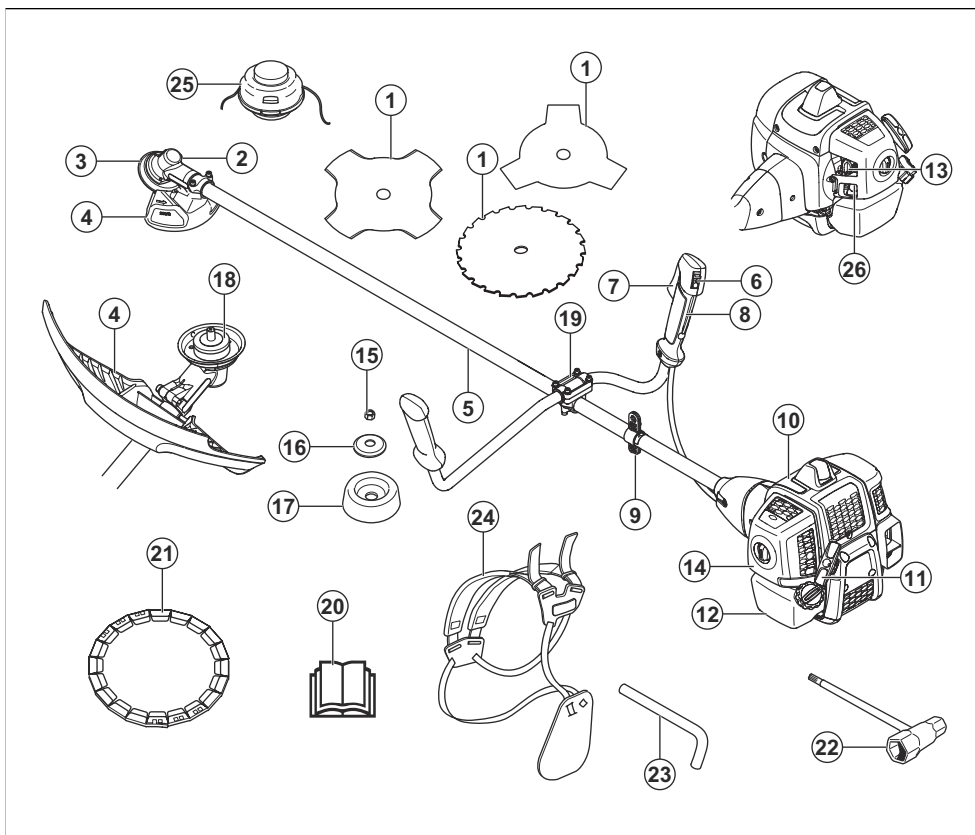
---

**Märkus:** Kasutamist võivad piirata riiklikud või kohalikud määrused. Järgige kõiki määrusi.

---

Kasutage toodet ainult koos tootja heakskiidetud tarvikutega. Vt jaotist *Tehnilised andmed lk 427*.

## Toote tutvustus



1. Tera (mitte kõikidel turgudel)
2. Määrdeaine lisamine, nurkreduktor
3. Reduktor
4. Lõikeosa kaitse
5. Vars
6. Seiskamislüliti
7. Gaasihoovastiku nupp
8. Gaasihoovastiku sulgur
9. Riputuskonks
10. Silindri kate
11. Käiviti käepide
12. Kütusepaak
13. Õhuklapp
14. Õhufiltri kaas
15. Lukustusmutter
16. Tugiäärrik
17. Tugikuppel
18. Vedamisketas

19. Juhtraua klamber
20. Kasutusjuhend
21. Transpordikaitse (mitte kõikidel turgudel)
22. Padrunvõti
23. Lukustusõrm (toodete puhul, millel puudub kuuskantvõti)
24. Kanderihmad
25. Trimmeripea
26. Kütusepump

## Sümbolid tootel



**HOIATUS!** See seade on ohtlik. Hooletu või väär käsitlemine võib põhjustada kehavigastusi või surma kasutajale või juuresolijatele. Kasutaja ja juuresolijate vigastuste vältimiseks loe läbi kõik kasutusjuhendis leiduvad ohutusjuhised ja järgi neid.



Enne seadme kasutamist loe kasutusjuhend hoolikalt läbi ja veendu, et kõik juhised oleksid täiesti arusaadavad.



Kohtades, kus sulle võib peale kukkuda esemeid, kasuta kaitsekiivrit. Kanna heakskiidetud kõrvaklappe. Kanna heakskiidetud kaitseprille.



Kanna heakskiidetud kaitsekindaid.



Kanna vastupidavaid libisemiskindlaid jalanõusid.



Seade võib esemeid õhku paisata ja see võib põhjustada vigastuse.



Väljuva võlli suurim kiirus.



Hoidke seadme kasutamise ajal inimestest ja loomadest vähemalt 15 m kaugusele.



Tagasilöögi oht juhul, kui löikeosa puudutab objekti, mida see kohe läbi ei löika. Seade võib löigata küljest kehaosi. Hoidke seadme kasutamise ajal inimestest ja loomadest vähemalt 15 m kaugusele.



Kasutage ainult elastset jõhvi. Ärge kasutage metallist löikevahendeid. See kehtib rohulõikamistarvikute kohta.



Nooled tähistavad piirasendeid käepideme kinnitamiseks.



Kütusepump.



Kütuse tankimine.



Õhuklapp.



Keskkonda paisatava müra tase vastab Euroopa direktiivi 2000/14/EÜ ja Uus Lõuna-Walesi seaduse „Protection of the Environment Operations (Noise Control) Regulation 2017” nõuetele. Mürataseme andmed on toodud seadme sildil ja *Tehnilised andmed lk 427*.



See seade vastab kehtivatele EÜ direktiividele.

aaaannxxxx

Mudeli etikett või lasertrükk näitab seerianumbrit. **aaaa** on tootmisaasta, **nn** on tootmisnädal.

**Märkus:** Seadmel toodud ülejäänud sümbolid/ tähised vastavad muude kommertsvaldkondade sertifitseerimisnõuetele.

## Tootevastutus

Tootevastutusseaduste alusel ei vastuta me tootest tingitud kahjustuste eest, kui:

- toodet on valesti parandatud;
- toote parandamisel on kasutatud osi, mis ei ole tootja poolt valmistatud või heaks kiidetud;
- tootel on kasutatud tarvikut, mis ei ole tootja poolt valmistatud või heaks kiidetud;
- toodet ei ole parandatud volitatud hoolduskeskuses või volitatud isiku poolt.

## Euro V heitmed



**HOIATUS:** Mootori igasugune modifitseerimine, muutmine või rikkumine tühistab toote EL-i tüübikinnituse.

## Ohutus

### Ohutuse määratlused

Järgnevad määratlused näitavad märgusõnade raskusastet.



**HOIATUS:** Kehavigastused.



**ETTEVAATUST:** Toote kahjustus.

- Seadme operaatori ja teiste isikute vigastuste vältimiseks kinnitage tootele rakmed.

## Ohutusjuhised kasutamisel



**HOIATUS:** Enne toote kasutamist loe läbi järgnevad hoiatused.

- Enne seadme kasutamist tehke endale selgeks, mis vahe on metsa puhastamisel, rohu niitmisel ja muru pügamisel.
- Kasutage isikukaitsevahendeid, vt *Isikukaitsevahendid lk 409*.
- Pikaajaline müra võib tekitada püsiva kuulmiskao. Kandke alati heakskiidetud kõrvaklappe.
- Kui kasutate kõrvaklappe, olge tähelepanelik hõigete ja hoiatussignaali suhtes. Eemaldage alati kõrvaklapid kohe, kui mootor on seiskunud.
- Ärge kasutage seadet, kui seda on muudetud või kui see on kahjustada saanud.
- Veenduge, et süüteküünla kate ja süütejuhe oleksid kahjustamata, et ära hoida elektrilöögi ohtu.
- Vaadake tööalas ringi ja veenduge, et ükski inimene, loom ega ese ei mõjuta negatiivselt seadme ohutut kasutamist.
- Vaadake tööalas ringi ja veenduge, et ükski inimene ega loom ei puuduta löikeosa ega saa pihta löikeosast välja paiskuvate esemetega.
- Ärge kasutage seadet sellises kohas ega olukorras, kus te ei saa õnnetuse korral abi.
- Ärge kasutage toodet ilma nõuetekohase löikeosakaitseta.
- Veenduge, et inimesed ja loomad püsiks töö ajal vähemalt 15 m kaugusel. Enne seadmega ümberpöörämist vaadake alati selja taha. Kui inimene või loom siseneb 15 m turvatsooni, peatage seade viivitamatult. Kui ühes piirkonnas töötatakse mitmekesi, hoidke ohutult kaugust vähemalt kahe puukõrguse jagu või vähemalt 15 m.
- Uurige tööala. Vältige lahtiseid esemeid, nagu kivid, klaasikillud, naelad, traat, nõör, mis võivad eemale paiskuda või löikeosa ümber keeruda.
- Veenduge, et saate liikuda ohutult ja teie tööasend on ohutu. Uurige ümbritsevat ala, et seal ei leiduks

**Märkus:** See teave hõlbustab toote kasutamist.

## Üldised ohutuseeskirjad



**HOIATUS:** Enne toote kasutamist lugege läbi järgnevad hoiatused.

- Seade tekitab töötades elektromagnetvälja. Teatud tingimustel võib väli häirida aktiivsete või passiivsete meditsiiniliste implantaatide tööd. Raskete või surmaga lõppevate kehavigastuste ohtu vähendamiseks soovitage meditsiinilisi implantaate kasutataval inimestel pidada enne selle seadme kasutamist nõu oma arsti ja implantaadi valmistajaga.
- Ärge kasutage toodet, kui olete väsinud, haige või tarvitanud alkoholi, narkootikume või ravimeid. Sellel on negatiivne mõju teie nägemisele, tähelepanuvõimele, liikumisele ja otsustamisvõimele.
- Hoiduge seadme kasutamisest halva ilmaga, nt tihe udu, tugev vihm, tugev tuul või suur külm. Seadme kasutamine halva ilma korral võib teid väsitada, samuti võib sellega kaasneda muidu ohte, nagu jääne maapind ja lõigatava materjali ootamatu kukkumissuund.
- Olge alati ettevaatlik ja toimige arukalt. Kui pärast kasutusjuhendi läbilugemist jääb midagi ebaselgeks, konsulteerige enne seadme kasutamist hooldustöökajaga.
- Kui jätate seadme järelevalveta, eemaldage süüteküünla kate.

## Ohutusjuhised kokkupanekul



**HOIATUS:** Enne seadme kasutamist lugege läbi järgnevad hoiatused.

- Toote ja löikeosa kokkupanemisel kasutage heakskiidetud kaitsekindaid.
- Enne seadme kokkupanemist eemaldage süüteküünala kate süüteküünla küljest.
- Enne seadme kasutamist kontrollige, et seadme külge oleks ühendatud sobiv juhtraud ja löikeosa.
- Vigane või vale löikeosakaitse võib põhjustada vigastusi. Ärge kasutage löikeosa ilma heakskiidetud kaitsekatteta.
- Enne seadme käivitamist kinnitage sidurikate ja vars korrektselt.
- Veoketas ja tugiäärik peavad sobituma õigesti löikeosa keskavasse. Valesti kinnitatud löikeosa võib põhjustada kehavigastuse või surma.



takistusi, nagu juuri, kive, oksa ja kraave. Olge kallakutel töötamise korral ettevaatlik.



- Ärge küünitage liiga kaugele. Säilitage kogu aeg stabiilne jalgade asend ja hea tasakaal.
- Enne seadme käivitamist paigutage see tasasele pinnale vähemalt 3 m kaugusele kütuseallikast ja kohast, kus te seadmesse kütust lisasite. Veenduge, et lõikeosa lähedal ega lõikeosaga kontaktis ei oleks esemeid.
- Kui lõikeosa pöörleb tühikäigul, laske seda hooldustöökojas reguleerida. Ärge kasutage seadet enne, kui see on korralikult reguleeritud või parandatud.
- Hoidu eemal paiskuvate esemete eest. Kasutage alati heakskiidetud kaitseprille ja hoidke lõikeosa kaitsmest eemale. Kivid ja muud väikesed esemed võivad paiskuda teile silma ja põhjustada pimedaksjäämise või muid vigastusi.
- Ärge pange töötava mootoriga seadet maha, kui see pole teil selgelt vaateväljas.
- Ärge eemaldage lõigatud materjali ega laske teistel inimestel lõigatud materjali eemaldada ajal, kui mootor töötab või lõikeosa pöörleb, kuna see võib tekitada tõsise kehavigastuse.
- Enne teravõlli ümber keerdunud või lõikeosa kaitsme ja lõikeosa vahele takerdunud materjali eemaldamist seisake alati mootor ja veenduge, et lõikeosa ei pöörleks.
- Olge ettevaatlik, kui eemaldate materjali lõikeosa ümbert. Nurkreduktor muutub töötamise ajal kuumaks ja võib põhjustada põletusvigastusi.
- Mootori heitgaasid on kuumad ja võivad sisaldada sädemeid. Tuleoht. Olge kuiva ja tuleohtliku materjali lähedal ettevaatlik.
- Ärge kasutage toodet siseruumides või piisava ventilatsioonita kohtades. Heitgaasid sisaldavad vingugaasi: lõhnatut, mürgist ja väga ohtlikku gaasi.
- Enne uude tööalasse liikumist seisake mootor. Enne seadme teisaldamist kinnitage alati transportkaitse.
- Tugeva vibratsiooniga töötamine võib põhjustada vereringe- või närvikahjustusi, eriti neil, kel on vereringehäireid. Pöörduge arsti poole, kui ilmneb nähte, mis võivad olla vibratsioonist põhjustatud. Sellisteks nähtudeks on näiteks muudatused nahas või nahavärv, surin, nõelatorked, tundetus, nõrkus, värvimuutused nahal. Nimetatud nähtused esinevad

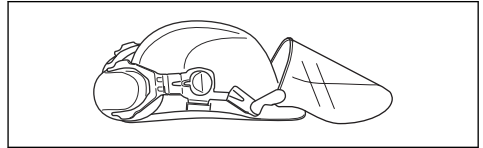
tavaliselt sõrmedes, käelabades ja randmetes. Oht on suurem külma korral.

## Isikukaitsevahendid

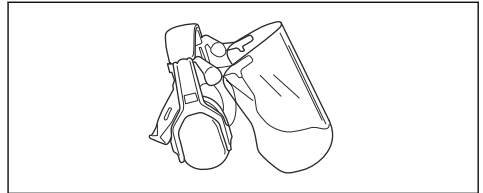


**HOIATUS:** Enne seadme kasutamist lugege läbi järgnevad hoiatused.

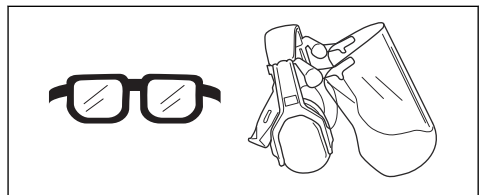
- Seadmega töötamisel tuleb kasutada ettenähtud isikukaitsevarustust. Isikukaitsevarustus ei välista täielikult kehavigastuste ohtu, kuid vähendab õnnetusjuhtumi korral kehavigastuse raskusastet. Õige varustuse valimiseks pöörduge edasimüüja poole.
- Kui tööalal on puid kõrgusega üle kahe meetri, kasutage kiivrit.



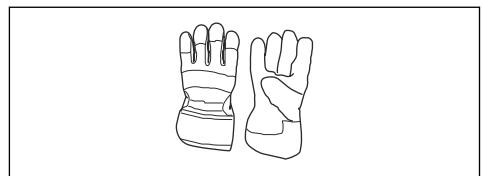
- Kandke heakskiidetud kõrvaklappe.



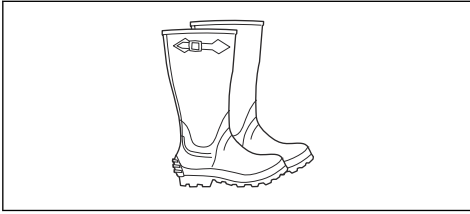
- Kandke heakskiidetud kaitseprille. Näokaitsme kasutamisel tuleb lisaks kasutada heakskiidetud kaitseprille. Heakskiidetud kaitseprillide all mõeldakse selliseid prille, mis vastavad standardile ANSI Z87.1 USA-s või EN 166 Euroopa Liidu riikides.



- Vajaduse korral kandke kindaid, näiteks lõikeosa kinnitades, kontrollides või puhastades.



- Kandke terasest varbakatete ja libisemist takistavate taldadega kaitseapaid.



- Kandke vastupidavast materjalist riideid. Kandke alati pikki raskeid pükse ja pikki varrukaid. Hoiduge liiga avaratest rõivastest, mis võivad okstesse takerduda. Ärge kandke ehteid, lühikesi pükse ega sandaale. Ärge kasutage seadet paljajalu. Kinnitage juuksed ohutult õlgadest kõrgemale.
- Hoidke esmaabikomplekti kättesaadavas kohas.



## Toote ohutusseadised

Teavet selle kohta, kust leida ohutusseadised, vt *Lõikeosa kaitse lk 411*.



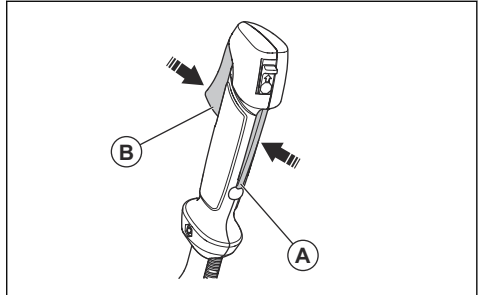
**HOIATUS:** Enne seadme kasutamist lugege läbi järgmised hoiatused.

- Ärge kunagi kasutage seadet, kui selle ohutusseadised on defektsed. Kontrollige ja hooldage ohutusseadiseid regulaarselt. Kui ohutusseadised on defektsed, pöörduge McCulloch hooldustöökotta.
- Ärge muutke ohutusseadiseid. Ärge kasutage seadet, kui kaitsekatted, ohutuslülitid või muud kaitseosad puuduvad või on defektsed.
- Toote hooldamiseks ja remontimiseks, eriti ohutusseadiste puhul, on vaja erioskusi. Kui ohutusseadised ei läbi selles kasutusjuhises toodud kontrole, otsige abi hooldustöökojast. Garanteerime, et saadaval on professionaalne remondi- ja hooldusteenus. Kui edasimüüjal, kellelt toote ostsite, pole hooldustöökoda, küsige neilt teavet lähima hooldustöokoja kohta.
- Ärge kasutage lõikeosa ilma heakskiidetud ja õigesti kinnitatud lõikeosakaitseta. Vt jaotist *Tehnilised andmed lk 427*.

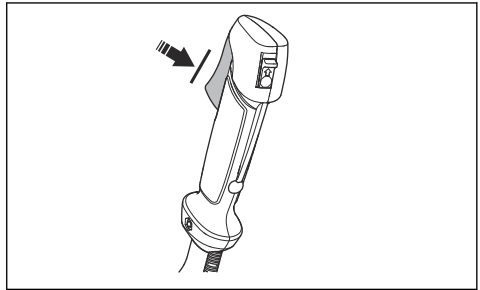
## Gaasihoovastiku nupu luku kontrollimine

Gaasisüsteemi lukustus on mõeldud juhusliku gaasivajutuse vältimiseks.

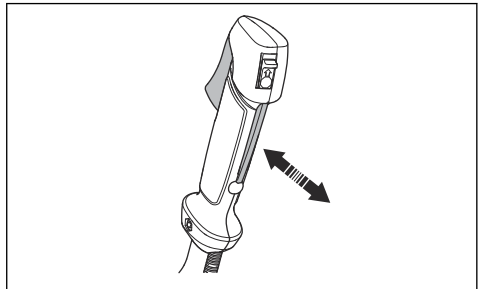
1. Vajutage gaasipäästiku lukku (A) ja veenduge, et gaasihoob oleks vabastatud (B). Käepidemest lahti lastes lähevad nii gaasihoovastik kui sulgur tagasi algasendisse. Seda liigutust juhivad kaks iseseisvat tagastusvedru. Gaasihoovastik sulgeb automaatselt tühikäigule kohe, kui lased käepideme käest.



2. Veenduge, et gaasikäepide oleks lukustatud tühijooksul peal, kui gaasilukk on vabastatud.

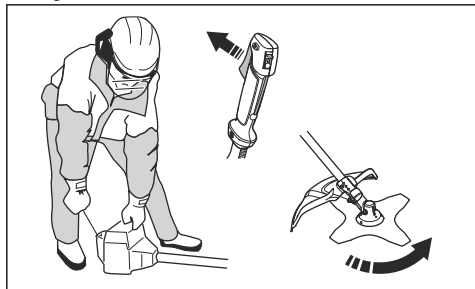


3. Vajutage drosseli lukku alla ning veenduge, et vabastamisel liiguks see tagasi algasendisse.



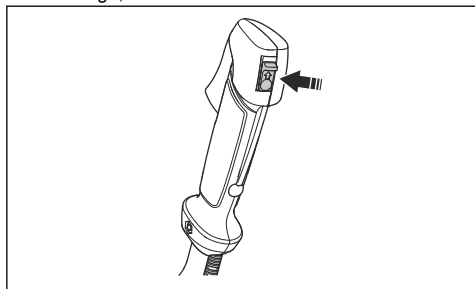
4. Veenduge, et gaasikäepide ja gaasilukk liiguvad takistamatult ning tagastusvedru töötab korrektselt.
5. Käivitage seade (vt juhiseid jaotises *Käivitamine ja seiskamine lk 419*) ja rakendage täisgaas.

6. Lase gaasihoovastik lahti ja kontrolli, et löikeosa jääks täiesti seisma. Reguleerige karburaatorit, kui lõikur liigub drosseli tühikäigu asendis. Vaadake juhiseid jaotisest *Tühikäigu pöörete arvu reguleerimine lk 425*.



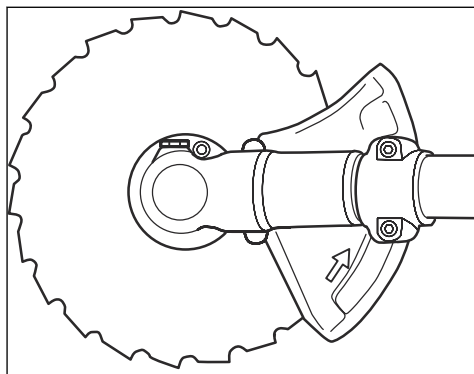
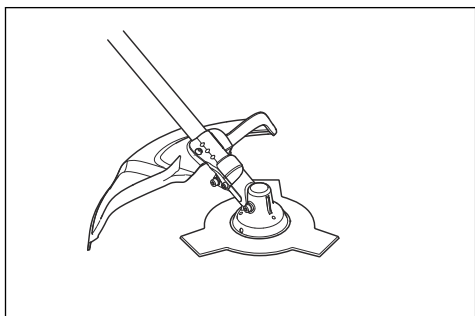
### Seiskamislüli kontrollimine

1. Käivita mootor.
2. Liigutage seiskamislüli seiskamisasendisse ja veenduge, et mootor seiskuks.



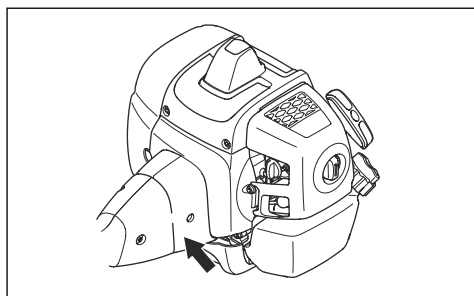
### Lõikeosa kaitse

Lõikeosa kaitse takistab lahtiste esemete paiskumist seadme kasutaja suunas. Kontrollige, kas lõikeosa kaitse on terve; kahjustuse korral asendage lõikeosa. Kasutage lõikeosal üksnes heakskiidetud kaitset.



### Vibratsioonisummutussüsteemi kontrollimine

Vibratsioonisummutussüsteem vähendab vibratsiooni käepidemetes miinimumini, mis muudab seadme kasutamise lihtsamaks.



1. Seiska mootor.
2. Otsige deformatsioone ja kahjustusi, näiteks pragusid.
3. Veenduge, et vibratsioonisummutussüsteemide elemendid on õigesti kinnitatud.

### Kiirvabastusmehhanism kontrollimine

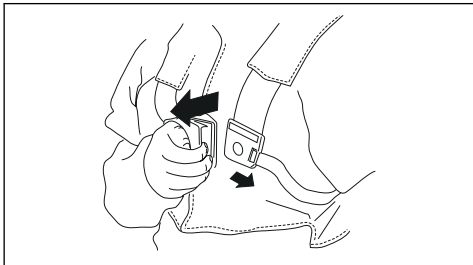


**HOIATUS:** Ärge kunagi kasutage rakmeid, mille kiirvabastusmehhanism on defektne.

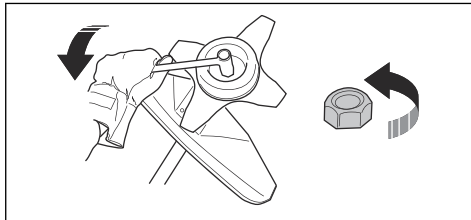
Kiirvabastusmehhanism võimaldab kasutajal hädaolukorras seadme kiiresti rakmete küljest eemaldada.

1. Seisake mootor.
2. Otsige visuaalselt kahjustusi, näiteks pragusid.

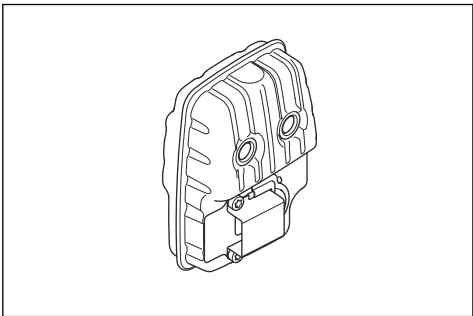
3. Vabastage ja kinnitage kiirvabastusmehhanism, et kontrollida, kas see töötab korralikult.



- Kasutage lukustusmutri vabastamiseks ja pingutamiseks pika varrega padrunvõtit. Joonisel olev nool näitab ala, kus saate ohutult padrunvõtmega töötada.



### Summuti



- Ära kasuta mootorit, kui summuti on kahjustatud. Kahjustatud summuti tõstab mürataset ja suurendab tulekahju ohtu. Hoia tulekustuti käepärast.
- Kontrolli regulaarselt, kas summuti on toote küljes alles.
- Ära puuduta mootorit ega summutit, kui mootor töötab. Ära puuduta mootorit ega summutit mõnda aega pärast mootori seiskamist. Tulised pinnad võivad põhjustada kehavigastusi.
- Tuline summuti võib põhjustada tulekahju. Ole väga ettevaatlik, kui kasutate toodet tuleohtlike vedelike või aurude läheduses.
- Kui summuti on kahjustatud, ära puuduta summuti osi. Osad võivad sisaldada kantserogeenseid aineid.
- Puhastage sädemepüüdjat korrapäraste ajavahemike järel, kui tootel on sädemepüüdja. 🗑️

### Lukustusmutri kinnitamine ja eemaldamine



**HOIATUS:** Seisake mootor, kasutage kaitsekindaid ja olge löikeosa teravate servadega ettevaatlik.

Lukustusmutrit kasutatakse teatud tüüpi löikeosade lukustamiseks. Lukustusmutter on vasakkeermega.

- Kinnikeeramisel keeratakse mutrit löikeosa pöörlemisele vastassuunas.
- Lukustusmutri eemaldamiseks, keeratakse seda löikeosa pöörlemissuunas.



**HOIATUS:** Lukustusmutri lahti ja kinnikeeramisel võib end teraga vigastada. Veenduge alati, et löikeosa kaitse takistab teie kää vigastamist.

**Märkus:** Veenduge, et te ei saa lukustusmutrit käsitsi keerata. Kui nailonlukusti takistus ei ole vähemal 1,5 Nm, vahetage lukustusmutter välja. Pärast lukustusmutri ligikaudu kümnekordset kinnikeeramist tuleb see välja vahetada.

### Löikeosa

Valige sobiv löikeosa ja hooldage seda, et:

- tagada seadme maksimaalne jõudlus;
- pikendada löikeosa tööiga.
- Järgige summuti kontrollimis- ja hooldusjuhiseid.
- Kasutage soovitatud löikeosakatet. Vt tehnilisi andmeid.



**HOIATUS:** Löikeosa tohib kasutada ainult koos selleks ette nähtud kaitsekatttega! Vt peatükki „Tehnilised andmed“. Uurige löikeosa kasutusjuhendist teavet trimmerijõhvi õige paigaldamise ja õige läbimõõduga trimmerijõhvi valimise kohta.



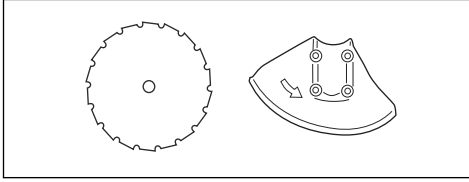
**HOIATUS:** Vale löikeosa võib suurendada õnnetuste ohtu.



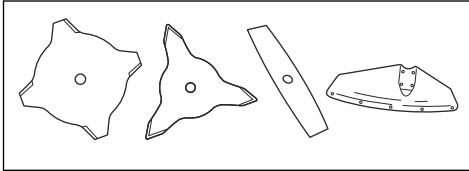
**HOIATUS:** Lülita alati mootor välja, enne kui hakkad löikeosaga midagi tegema. See jätkab pöörlemist ka peale seda, kui oled gaasihoovastiku lahti lasknud. Veenduge, et löikeosa oleks täielikult seiskunud ja ühendage süüteküünlala kate enne tööde alustamist süüteküünlala küljest lahti.

## Lõikeosa

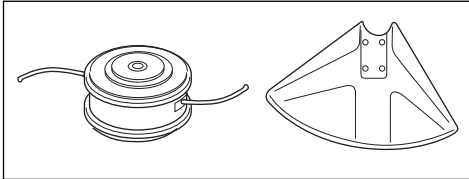
- Puitunud tüvede saagimiseks kasutage saetera.



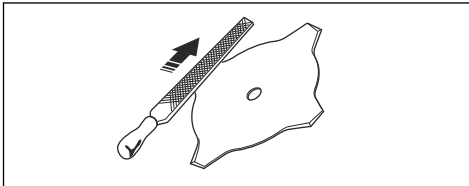
- Paksu muru niitmiseks kasuta lõiketerasid ja rohuterasid.



- Muru pügamiseks kasutage trimmeripead.



- Valessti teritatud või vigastatud lõiketera suurendab õnnetuste ohtu. Jälgi, et lõiketera hambad oleksid teritatud. Järgige jaotise *Rohulõikurite ja rohuterade teritamine lk 413* juhiseid ja kasutage soovitatud teritusmalli.

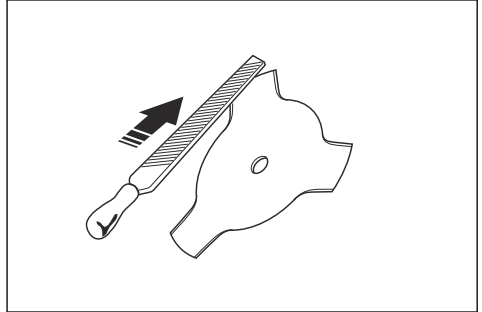


- Kontrollige lõikeosa kahjustuste ja mõrade suhtes. Kahjustatud lõikeosa vahetage välja.
- Kasutage lõikeosa ainult koos soovitatud kaitsekattega! Vt jaotist *Tehnilised andmed lk 427*.

## Terad

- Kasutage toodet heakskiidetud teraga. Ärge kasutage tera enne, kui kõik vajalikud osad on õigesti paigaldatud. Veenduge et kõik vajalikud osad oleksid õigesti paigaldatud. Vale paigaldamise korral võib tera õhku paiskuda ning seadmekasutajat ja kõrvalseisjaid tõsiselt vigastada.
- Kandke tera käsitsenemisel või hooldustööde ajal kaitsekindaid.
- Teraga toote kasutamisel kandke kiivrit.

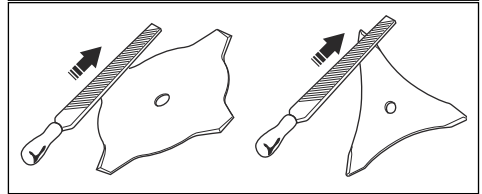
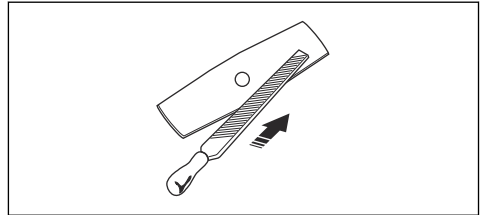
- Kuna tera pöörleb pärast mootori seiskumist ja gaasihoovastiku nupu vabastamist edasi, võib see vigastusi põhjustada. Enne hooldustööde tegemist veenduge, et tera oleks täielikult peatunud.
- Enne kui hakkate lõikeosa kallal töötama, lülitage mootor välja. Veenduge et lõikeosa oleks täielikult peatunud. Ühendage süütejuhe süüteküünlä küljest lahti.
- Jälgige, et lõiketera hambad oleksid teritatud.



- Ärge kasutage kahjustatud lõikeosa.
- Toote transportimisel ja hoiustamisel kinnitage terale transportkaitse.

## Rohulõikurite ja rohuterade teritamine

- Tasakaalu säilitamiseks terita ühtlaselt kõiki rohulõikuri ja lõiketera külgi. Kasutage lihtlameviili.



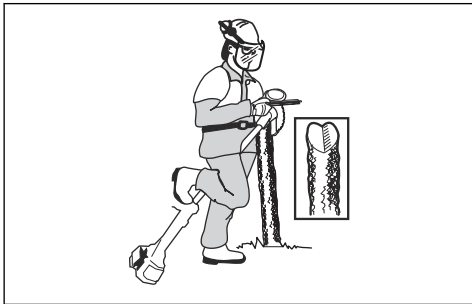
## Saetera teritamine



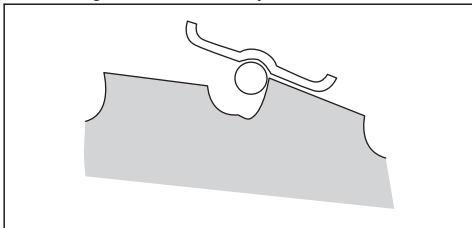
**HOIATUS:** Seisake mootor. Kasutage kaitsekindaid.

- Lõiketera õige teritamise juhised leiате lõiketeraga kaasas olevast juhendist.

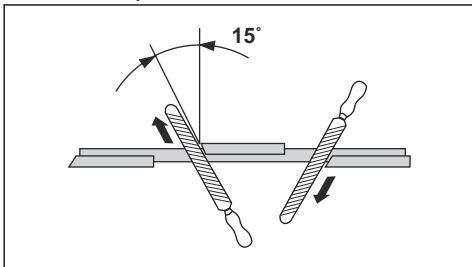
- Veenduge, et seadmel ja lõiketeral oleks teritamise ajal piisav toetus.



- Kasutage 5,5 mm ümarviili ja teritusmalli.

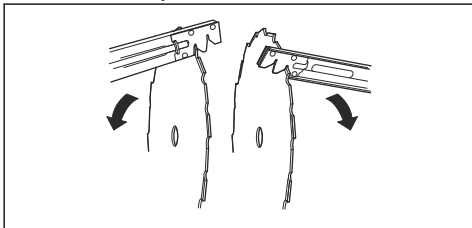


- Hoidke viili 15° nurga all.
- Teritage üks saeterahammas paremale ja teine vasakule, vt joonist.



**Märkus:** Kui saetera on väga kulunud, teritage hammaste servad lameviiliga. Jätka te teritamist ümarviiliga.

- Saetera tasakaalu säilitamiseks teritage kõik servad võrdselt.
- Reguleerige soovitatavat seadistusriista kasutades saetera seadistuseks 1 mm. Lugege saeteraga kaasas olevaid juhiseid.

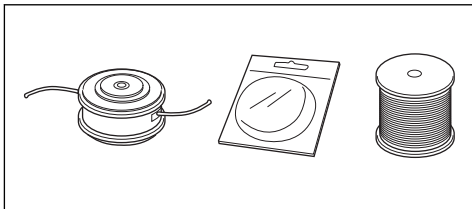


**HOIATUS:** Kahjustatud lõiketera kõrvaldage alati kasutusest. Ärge proovige paindunud või väändunud lõiketera sirgeks ajada ja uuesti kasutada.

### Trimmeripea



**HOIATUS:** Kahjuliku vibratsiooni ärahoidmiseks veenduge alati, et trimmijõhv oleks keritud trumliile ühtlaselt ja tugevalt.



- Kasutage ainult soovitatud trimmipäid ja -jõhve.
- Kasutage ainult soovitatud löikeosa.
- Väiksemad seadmed nõuavad väiksemad trimmipäid ja vastupidi.
- Tähtis on jõhvi pikkus. Sama läbimõõduga pikem jõhv nõuab võimsamat mootorit kui lühike jõhv.
- Kontrollige, et trimmerikaitse peal asetsev nuga ei oleks kahjustatud ega kadunud. Nuga lõikab trimmijõhvi, et selle pikkus oleks õige.
- Trimmijõhvi tööea pikendamiseks leotage seda enne kasutamist paar päeva vees.

### Ohutusnõuded kütuse käsitlemisel

- Ärge käivitage toodet, kui toote pinnale on sattunud kütust või mootoriõli. Eemaldage kütus/õli toote pinnalt ja laske tootel kuivada. Eemaldage kütus toote pinnalt.
- Kui kütus satub rõivastele, siis vahetage kohe riideid.
- Vältige kütuse sattumist nahale, see võib põhjustada kehavigastusi. Kui kütus satub nahale, puhastage piirkond seebi ja veega.
- Ärge käivitage mootorit, kui kütus või õli satub toote pinnale või teie nahale.
- Ärge käivitage toodet, kui mootor lekib. Kontrollige regulaarselt mootori lekkekindlust.
- Olge kütuse käsitlemisel ettevaatlik. Kütus on tuleohtlik ja kütuse aurud on plahvatusohtlikud ning võivad põhjustada kehavigastusi või surma.
- Ärge hingake sisse kütuseaure, see võib põhjustada kehavigastuse. Tagage piisav õhuvahetus.
- Ärge suitsetage kütuse ega mootori läheduses.
- Ärge asetage kuumi esemeid kütuse ega mootori lähedusse.
- Ärge tankige kütust, kui mootor töötab.
- Enne tankimise alustamist veenduge, et mootor oleks külm.

- Enne tankimise alustamist avage aeglaselt kütusepaagi kork ja laske survel alaneda.
- Ärge tankige mootorit siseruumis. Ebapiisav õhuvahetus võib põhjustada lämbumisest või vingugaasimürgistusest tingitud kehavigastuse või surma.
- Keerake kütusepaagi kork hoolikalt kinni, et vältida tulekahju.
- Enne käivitamist viige toode vähemalt 3 m (10 jala) kaugusele kohast, kus toimus kütusepaagi täitmine.
- Ärge tankige paaki liiga palju kütust.
- Veenduge, et toote või kütusenõu liigutamisel ei tekiks leketeid.
- Ärge asetage toodet või kütusenõu kohta, kus on lahtine leek, sädemed või süüteleek. Veenduge, et hoiukohas ei oleks lahtist leeki.

- Kütuse kandmiseks või hoidmiseks kasutage üksnes heakskiidetud mahuteid.
- Enne pikaajalisele hoiule jätmist tühjendage kütusepaak. Järgige kütuse kasutuselt kõrvaldamist reguleerivaid kohalikke eeskirju.
- Enne pikaajalisele hoiule jätmist puhastage toode.
- Enne toote hoiule jätmist eemaldage süüteküünlajuhe, et vältida mootori tahtmatu käivitamise võimalust.

## Ohutusjuhised hooldamisel

- Kui te ei saa löikeosa peatamiseks reguleerida tühikäigu pöörde arvu, pöörduge hoolduskeskusesse. Ärge kasutage toodet enne, kui see on korralikult reguleeritud või parandatud.

## Kokkupanek



**HOIATUS:** Enne toote kokkupanemise alustamist lugege läbi ohutuspeatükk.

### Sissejuhatus



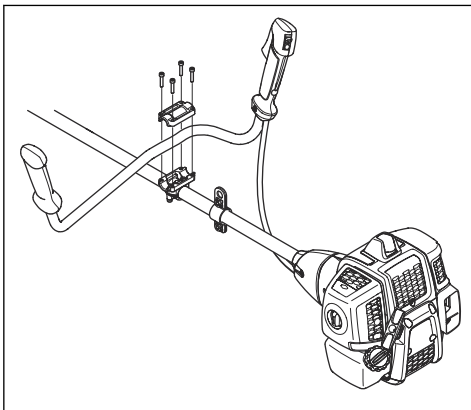
**HOIATUS:** Enne seadme kokkupanemist lugege põhjalikult läbi ohutust puudutav jaotist.



**HOIATUS:** Enne seadme kokkupanemist eemaldage süüteküünala juhe süüteküünla küljest.

### Juhtraua paigaldamine

1. Kinnitage juhtraud kinnitusklambrile vastavalt näidatule.



### Lõiketerade ja trimmeripeade paigaldamine



**HOIATUS:** Kasutage lõiketerade jaoks üksnes heakskiidetud kaitset. Vt jaotist *Tehnilised andmed lk 427*. Vigane kaitse võib põhjustada vigastusi.

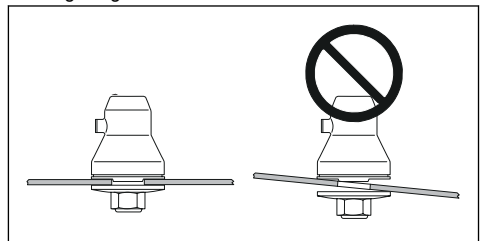


**HOIATUS:** Kui kasutate toodet, millele on paigaldatud rohutera, paigaldage esmalt õige juhtraud, kettakaitse ja õiged rakmed.



**HOIATUS:** Lõiketera tuleb õigesti paigaldada, muidu võib see vigastusi põhjustada.

1. Veenduge et veoketa/tugiääriku kõrgendatud osa sobitaks õigesti lõiketera keskel oleva auguga.
2. Paigaldage lõiketerad.



### Kettakaitse, murutera ja murulõikuri paigaldamine

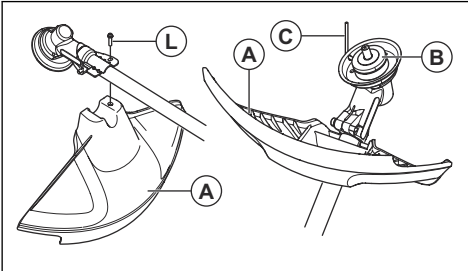


**ETTEVAATUST:** Kasuta lõiketerade jaoks üksnes heakskiidetud kaitset. Vt kasutusjuhendist.

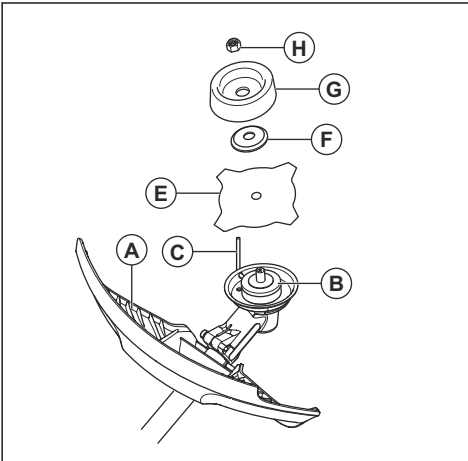


**ETTEVAATUST:** Veenduge, et kaitsemepikendus oleks eemaldatud.

1. Kinnitage lõikeketta kaitse/lõikeosa kaitse (A) varrele ja kinnitage see poldiga (L).



2. Paigalda väljuvale võlliile veoketas (B).
3. Pööra väljuvat võlli, kuni üks veoketta avadest satub kohakuti ülekande avaga.
4. Pane auku splint (C), et võll lukustuks.
5. Asetage murutera (E), tugiäärik (F) ja tugikuppel (G) väljuvale võllile.
6. Paigaldage mutter (H). Hoi a nutrivõtme vart võimalikult kettakaitsme lähedal. Mutri pingutamiseks tuleb nutrivõtiti pöörata vastupidiselt pöörlemissuunale. Keera mutter kinni pingutusmomendiga 35–50 Nm (3,5–5 kpm).

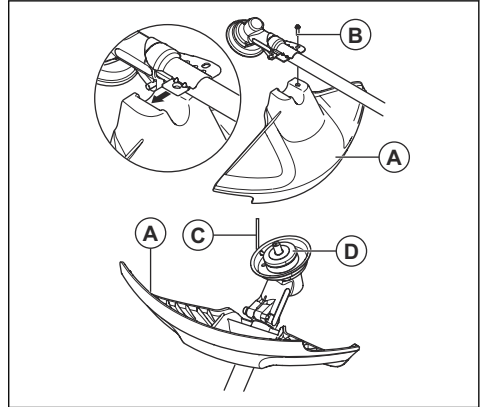


**Märkus:** Vasakkeere.

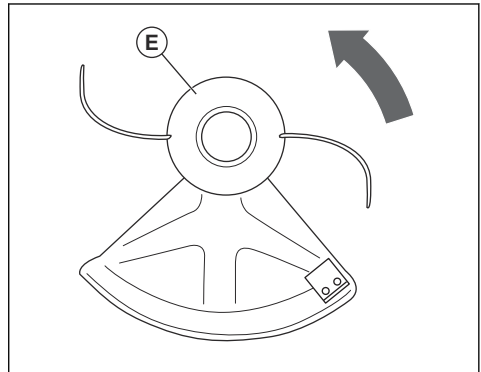
### Trimmerikaitse ja trimmipea kinnitamine

**Märkus:** Kasuta kindlasti trimmipea jaoks õiget kaitset.

1. Paigaldage trimmeripeaga kasutamiseks õige lõikeosa kaitse/kombineeritud kaitse (A).
2. Paigaldage trimmeri kaitse/kombineeritud kaitsekate võlli ümber ja pingutage poldiga (B). Kasutage lukustustihvti või kuuskantvõti (C).



3. Pange lukustustihvt ja kuuskantvõti (C) kruvipeas olevasse avasse ja pingutage.
4. Paigaldage veoketas (D) väljundvõllile.
5. Keerake väljundvõlli ringi, kuni üks veoketta avadest satub kohakuti ülekande korpuse avaga.
6. Pange auku lukustustihvt või kuuskantvõti (C), et võll lukustuks.
7. Pange kokku trimmeripea/plastist lõiketerad (E). Pöörake trimmeripead/plastik lõiketerasidvastupäeva.



8. Demonteerimiseks järgige juhiseid vastaspidises järjekorras.

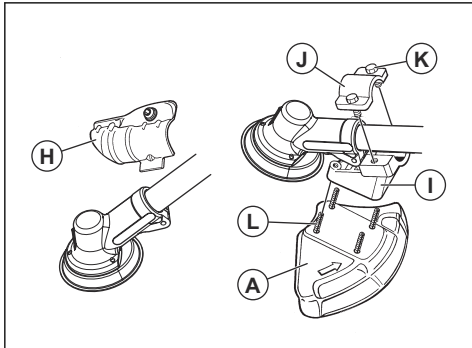
### Lõikeketta kaitse ja saetera paigaldamine



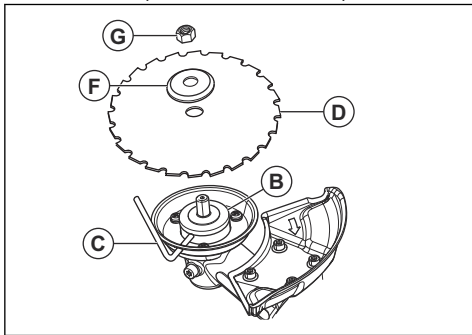
**ETTEVAATUST:** Kasuta lõiketerade jaoks üksnes heakskiidetud kaitset. Vt jaotist *Tehnilised andmed lk 427.*



1. Eemaldage kinnitusplaat (H).
2. Paigaldage adapter (I) ja kronstein (J) kahe kruviga (K).
3. Paigaldage löikeketta kaitse (A) adapterile 4 kruviga (L).

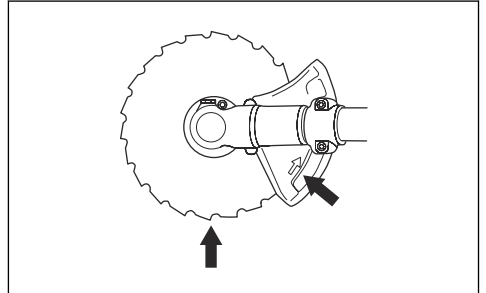
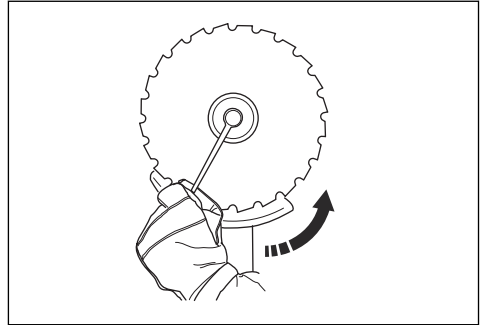


4. Paigalda väljuvale võlliile veoketas (B).
5. Vea teravõlli ringi kuni üks vedamisketta aukudest ühtib reduktori auguga.
6. Pane auku splint (C), et võll lukustuks.
7. Aseta tera (D) ja tugiäärik (F) väljuvale võlliile.
8. Paigaldage mutter (G). Mutter tuleb kinni keerata momendiga 35–50 Nm. Kasutage tööriistakomplekti kuuluvat padrunvõtit. Hoidke võtme vart löiketera kaitsekattele võimalikult lähedal. Mutri pingutamiseks keerake võtit pöörlemissuunale vastupidises suunas.



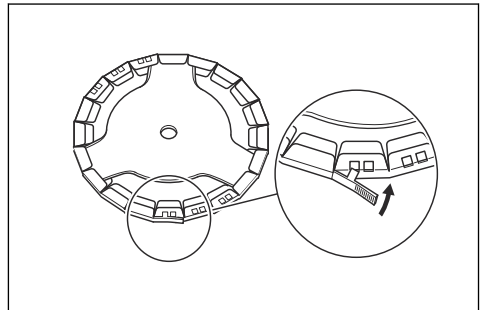
**Märkus:** Vasakkeere.

9. Saetera mutri lahti tegemisel ja kinnitamisel võib end saehammastega vigastada. Seega veenduge, et käsi oleks löikeketta kaitsmega kaitstud. Selleks kasutage alati piisavalt pika varrega võtit. Joonisel on noolega näidatud, kus käsi peaks padrunvõtme abil mutri lahti- ja kinnikeeramisel asetsema.



## Transportkaitsme kinnitamine

1. Kinnitage transportkaitsme löiketerale, nagu joonisel näidatud.



## Kanderihmade reguleerimine



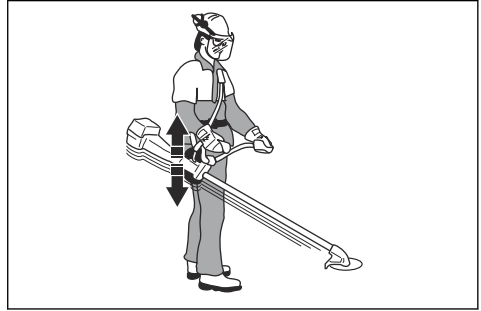
**HOIATUS:** Toode peab olema alati õigesti kanderihmadega ühendatud. Vastasel juhul ei suuda te seadet turvaliselt käsitseda ja selle tagajärjeks võib olla teie või kõrvalseisja kehavigastus. Ära kasuta kahjustatud kanderihmu. Ärge kunagi

kasutage rakmeid, mille kiirkinntus on purunenud.

1. Pane kanderihmad selga.
2. Ühenda toode kanderihmadega.
3. Reguleeri kanderihmad parimasse tööasendisse.
4. Reguleeri külgrihmasid, et seadme raskus jaotuks õlgadele ühtlaselt.



5. Reguleeri kanderihmu, kuni lõikeosa on maapinnaga paralleelselt.



6. Toetage lõikeosa kergelt maha. Reguleeri toote õigeks tasakaalustamiseks kanderihmade klambrit.

**Märkus:** Rohutera kasutamisel peab see olema maapinnast ligikaudu 10 cm / 4 tolli kõrgusel.

## Töö



**HOIATUS:** Enne toote kasutamist lugege ohutuspeatükki ja tehke selles olev teave endale arusaadavaks.



**ETTEVAATUST:** Ärge kasutage bensiini, mille oktaaniarv on alla 90 RON (87 AKI). Madalama oktaaniarvuga bensiini kasutamine võib põhjustada mootori klõppimist, mis omakorda kahjustab mootorit.

### Sissejuhatus



**HOIATUS:** Enne seadme kasutamist lugege põhjalikult läbi ohutust puudutav jaotis.

### Kahetaktiõli

- Parimate tulemuste ja jõudluse saavutamiseks kasutage McCulloch kahetaktiõli.
- Kui McCulloch kahetaktiõli pole saadaval, kasutage õhkjahutusega mootoritele mõeldud kvaliteetset kahetaktiõli. Õige õli valimiseks pöörduge hooldusesindusse.

### Kütus

Tootel on kahetaktiline mootor.



**ETTEVAATUST:** Vale kütuse kasutamine võib mootorit kahjustada. Kasutage bensiini ja kahetaktiõli segu.



**ETTEVAATUST:** Ärge kasutage vesijahutusega përamootoritele mõeldud kahetaktiõli, mida tuntakse ka paadimootoriõlina. Ärge kasutage neljaktimootori õlisid.

### Eelsegatud kütus

- Parima jõudluse saavutamiseks ja mootori tööea pikendamiseks kasutage McCulloch eelsegatud alkülaatkütust. See kütus sisaldab tavalise kütusega võrreldes vähem kahjulikke kemikaale, mis omakorda vähendab kahjulikke heitgaase. Selle kütuse korral on põlemisjääkide hulk väiksem ja see aitab hoida mootoriosad puhtamana.

### Bensiini ja kahetaktiõli segamine

Bensiin, l	Kahetaktiõli, l
	<b>2% (50:1)</b>
5	0,10
10	0,20
15	0,30
20	0,40

### Kütuse segamine

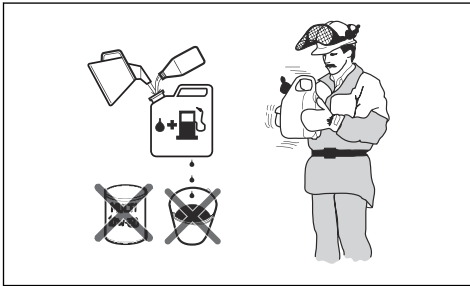
#### Bensiin

- Kasutage kvaliteetset kuni 10% etanoolisisaldusega pliivaba bensiini.

USA gallon	USA vedeli-kuunts
1	2 ½
2 1/2	6 ½
5	12 ¾



**ETTEVAATUST:** Väikeste kütusekoguste segamisel võib väike viga segusuhet oluliselt mõjutada. Mootke segatava õli kogus väga täpselt ja veenduge, et segu oleks õige.



1. Valage puhtasse kütusenõusse pool bensiinikogusest.
2. Valage nõusse kogu vajaminev õlikogus.
3. Segage kütusesegu.
4. Lisage nõusse ülejäänud bensiinikogus.
5. Segage kütusesegu hoolikalt.



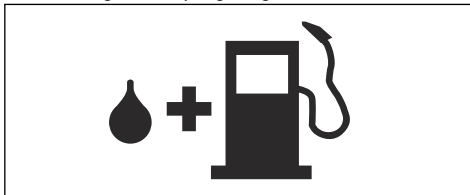
**ETTEVAATUST:** Ärge segage kütust korraga rohkem, kui on teie ühe kuu varu.

### Kütusepaagi täitmine



**HOIATUS:** Ohutuse tagamiseks järgige tegevusjuhiseid.

1. Seisake mootor ja laske mootoril maha jahtuda.
2. Puhastage kütusepaagi korgi ümbrus.



3. Loksutage kütusenõu veendumaks, et kütus on täielikult segunenud.

4. Surve vabastamiseks avage kütusepaagi kork aeglaselt.

5. Täitke kütusepaak.



**ETTEVAATUST:** Veenduge, et paagis ei ole liiga palju kütust. Kuumenedes kütus paisub.

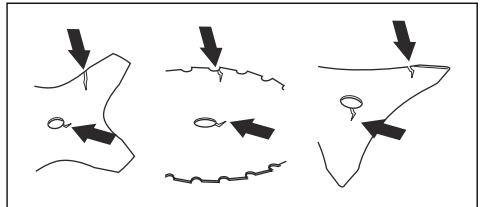
6. Pingutage kütusepaagi korki korralikult.
7. Eemaldage mahavalgunud kütus tootelt ja selle ümbrusest.
8. Enne mootori käivitamist viige seade tankimiskohast ja kütusenõust vähemalt kolme meetri kaugusele.

**Märkus:** Kütusepaagi asukoha leidmiseks oma seadmel vt *Toote tutvustus lk 406*.

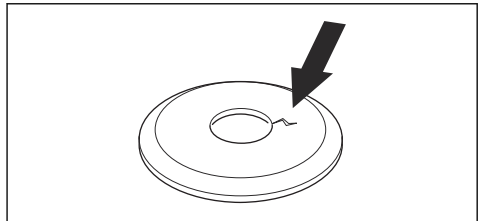
### Käivitamine ja seiskamine

#### Enne toote kasutamist

- Uurige tööala ja veenduge, et tunnete maastikku, maapinna kallakut, ja teate, kas leidub takistusi, nagu kivid, oksad ja kraavid.
- Vaadake seade täielikult üle.
- Teostage selles juhendis toodud ohutuskontrollid ja hooldus.
- Veenduge, et kõik katted, kaitsmed, käepidemed ja löikevarustus oleks õigesti kinnitatud ega oleks kahjustatud.
- Veenduge, et saetera all ega rohuteri hammastel ega tera keskosas ei oleks mõrsid. Kahjustatud löiketera vahetage välja.

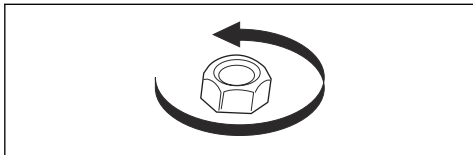


- Kontrollige, et tugiäärikul ei oleks mõrsid. Kahjustatud tugiäärik tuleb välja vahetada.

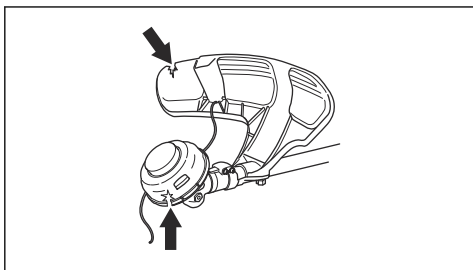


- Veenduge, et lukustusmutrit ei saaks käsitsi eemaldada. Kui selle saab käsitsi eemaldada, ei

lukusta see lõikeosa piisavalt ja mutter tuleb välja vahetada.

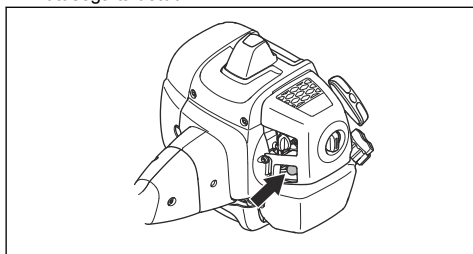


- Kontrollige, et terakaitsemel ei oleks kahjustusi ega mõrsid. Kui terakaitse on saanud löögi või kui selles on mõrsid, vahetage see välja.
- Kontrollige, et trimmipeal ega lõikeosakaitsmel ei oleks kahjustusi ega mõrsid. Kui trimmipea või lõikeosakaits on saanud löögi või kui nendes on mõrsid, vahetage need välja.

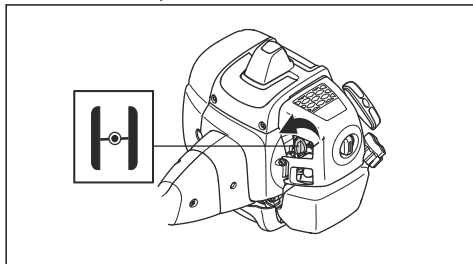


## Mootori käivitamine

1. Asetage toote tasasele stabiilsele pinnale. Hoidke lõikeosa maapinnaga paralleelselt.
2. Vajutage korduvalt kütusepumba pöit, kuni kütus hakkab põide valguma. Kütusepump peab olema kütusega täidetud.

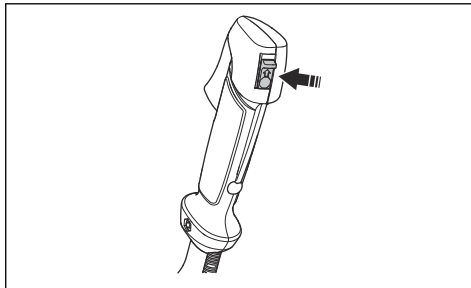


3. Seadke õhuklapi hoob drosseli sentsisse.

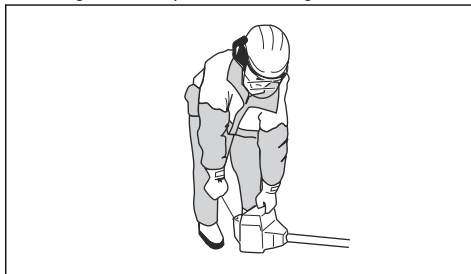


**HOIATUS:** Kui mootor käivitatakse õhuklapiga, hakkab lõikeosa kohe pöörlema.

4. Viige pealüliti RUN asendisse.



5. Suruge toote korpus vasaku käega vastu maad.



6. Hoidke starteri nööri käepidet paremas käes.
7. Tõmmake starteri nööri parema käega, kuni tunnete takistust.



**HOIATUS:** Käivitusnööri ei tohi kerida käe ümber.

8. Tõmba kiirelt ja tugevalt käivitusnööri. Tõmmake kiiresti ja jõuga starteri käepidemest, kuni mootor käivitub.

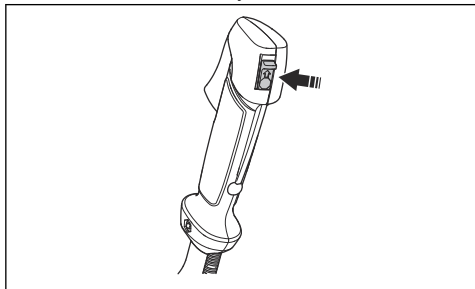


**ETTEVAATUST:** Ärge tõmmake käivitusnööri täies pikkuses välja ja ärge laske käiviti käepidet lahti, kui nöör on välja tõmmatud. See võib toodet kahjustada.

9. Peale küttesegu süttimist mootoris lükake õhuklapp algasendisse tagasi.
10. Mootori käivitumisel vajutage gaasihooba järkjärgult.
11. Veenduge, et mootor töötab sujuvalt ja laske mootoril enne töötamist 1-2 minutit soojeneda.

## Seadme seiskamine

- Mootori seiskamiseks vajuta seiskamislülitit.



## Tagasilöök

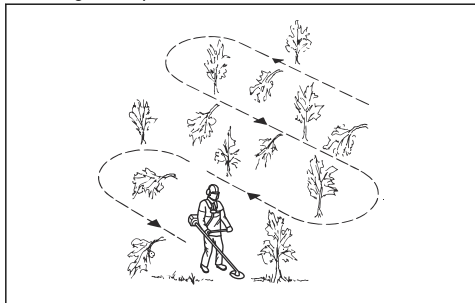
- Tagasilöök on toote järsk liikumine kül-, edasi- või tagasisuunas. Tagasilöök ilmneb siis, kui rohutama puutub vastu eset, mida ei saa lõigata. Tagasilöögioht on suurem aladel, kus lõigatavast materjalist pole head ülevaadet.
- Tagasilöögi korral tekib võib toote või seadmekasutaja asend muutuda. Tekib oht, et liikuv tera puutub vastu kõrvalseisjaid ja keegi saab vigastada.
- Paindunud, mõranenud, katkised ja kahjustunud terad visake ära.
- Kasutage vahedaid terasid. Kui tera on nüri, on tagasilöögioht suurem.

## Üldised tööjuhised



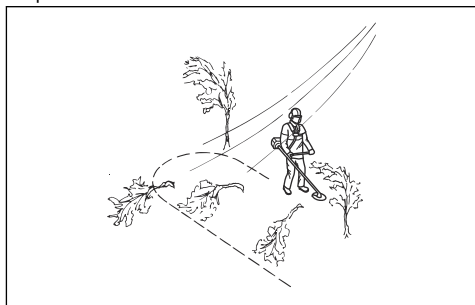
**HOIATUS:** Olge pinge all oleva puu lõikamisel ettevaatlik. See võib enne või pärast lõikamist vetruuda tagasi tavaasendisse, tabada teid või seadet ja põhjustada vigastuse.

- Puhastage tööala ühes otsas vaba ruum ja alustage tööd sealt.
- Liikuge korrapäraselt üle tööala.



- Liigutage seadet täies ulatuses vasakule ja paremale, et puhastaksite iga pöördega 4–5 m laiuse ala.

- Enne ümberpöörämist ja tagasi liikumist puhastage 75 m pikkune ala. Edasi liikudes võtke kütusenõu endaga kaasa.
- Liikuge sellises suunas, kus te ei pea kraave ega muid takistusi ületama rohkem kui hädavajalik.
- Liikuge sellises suunas, kus tuul puhub lõigatud rohu puhastatud alale.



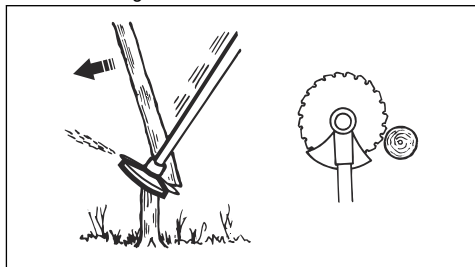
- Liikuge piki kallakut, mitte üles-alla.

## Metsa puhastamine saeteraga

### Puu langetamine vasakule

Et puu langeks vasakule, tuleb tüve alumist osa suunata paremale poole.

1. Rakendage täisgaasi.
2. Pange saetera vastu puud, nagu joonisel näidatud.
3. Kallutage saetera ja suruge seda jõuga diagonaalselt alla paremale. Samal ajal lükake puud terakaitsmega.

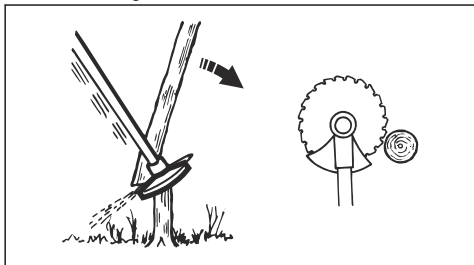


### Puu langetamine paremale

Et puu langeks paremale, tuleb tüve alumist osa suunata vasakule poole.

1. Rakendage täisgaasi.
2. Pange saetera vastu puud, nagu joonisel näidatud.

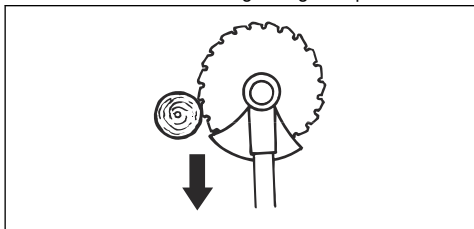
3. Kallutage saetera ja suruge seda jõuga diagonaalselt üles paremale. Samal ajal lükake puud terakaitsmega.



### Puu langetamine ettepoole

Et puu langeks ettepoole, tuleb tüve alumist osa suunata tahapoole.

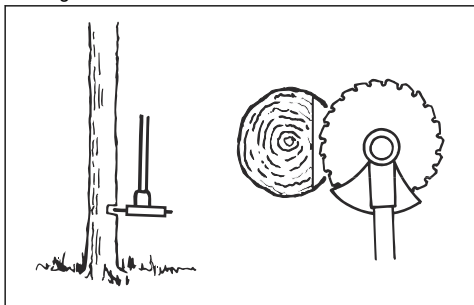
1. Rakendage täisgaasi.
2. Pange saetera vastu puud, nagu joonisel näidatud.
3. Tõmmake saetera kiire liigutusega ettepoole.



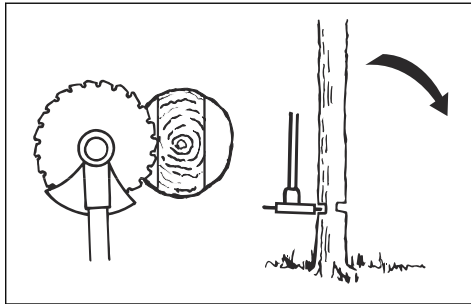
### Suurte puude langetamine

Suuri puid tuleb lõigata kahelt küljelt.

1. Tehke kõigepealt kindlaks puu langemissuund.
2. Rakendage täisgaasi.
3. Esimene lõige tehke puu sellele küljele, kuhu see langeb.



4. Lõigake teiselt poolt tüvi läbi.



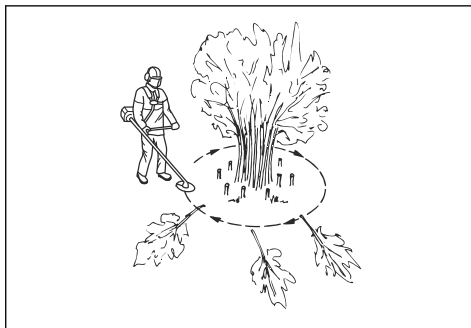
**ETTEVAATUST:** Kui saetera blokeerub, ärge tõmmake seadet äkilise liigutusega. See võib kahjustada saetera, nurkreduktorit, võlli või juhtrauda. Laske käepidemed lahti, võtke mõlema käega varrest kinni ja tõmmake seade aeglaselt lahti.

**Märkus:** Väikeste puude langetamiseks kasutage rohkem lõikesurvet. Suurte puude langetamiseks kasutage vähem lõikesurvet.

### Võsalõikamine saeteraga

Et puu langeks vasakule, tuleb tüve alumist osa suunata paremale poole.

- Lõigake läbi peenikesed puutüved ja võsud.
- Liigutage seadet küljelt küljele.
- Lõigake ühe liigutusega mitu puud.
- Peenikeste tüvede rühma lõikamine



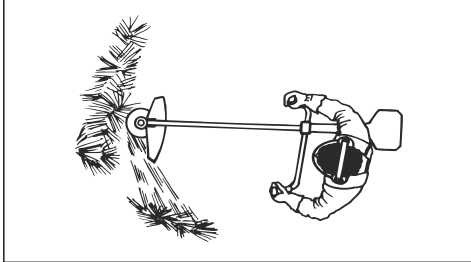
- a) Lõigake välimised tüved kõrgelt.
- b) Lõigake välimised tüved õige kõrguseni.
- c) Lõigake keskelt. Kui te ei pääse keskosale juurde, lõigake välimised tüved kõrgelt ja laske neil kukkuda. See vähendab saetera blokeerumise ohtu.

## Rohu niitmine rohuteraga



**ETTEVAATUST:** Ärge kasutage rohuterasid ega rohunuge puidu puhul. Kasutage rohuterasid ja rohunuge ainult kõrge või tiheda rohu puhul.

- Liigutage seadet küljelt küljele.
- Alustage lõikamisliigutust paremalt vasakule. Enne uut lõiget viige seade paremale.
- Lõigake rohutera vasaku poolega.

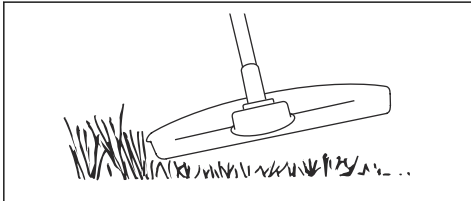


- Keerake rohutera vasakule nurga alla, et rohi langeks vaaluna. See teeb rohu kokkukogumise lihtsamaks.
- Hoidke stabiilset asendit, jalad kergelt harkis.
- Iga paremaleliigutuse järel astuge edasi ja veenduge enne uut lõiget, et teil on stabiilne asend.
- Suruge tugikuppel kergelt vastu maad, et rohutera ei tabaks maapinda.
- Lõigatava materjali ümber rohutera keerdumise ohu vähendamiseks järgige neid juhiseid.
  - a) Rakendage täisgaasi.
  - b) Ärge liigutage rohutera seadme vasakult paremale viimisel läbi lõigatud materjali.
- Enne lõigatud materjali kokkukogumist seisake mootor ja eemaldage seade rakmete küljest. Pange seade maapinnale.

## Muru pügamine trimmipeaga

### Muru pügamine

1. Hoidke trimmipead nurga all maapinna kohal. Ärge vajutage trimmerijõhvi rohu sisse.



2. Lühendage trimmerijõhvi pikkust 10–12 cm (4–4,75 tolli).
3. Taimede kahjustamise ohu vähendamiseks vähendage mootori kiirust.

4. Esemete või rajatiste lähedal asuva muru pügamisel rakendage 80% gaasi.



### Rohu eemaldamine

1. Hoidke trimmeripead maapinna kohal.
2. Kallutage trimmeripead.
3. Lõigake trimmeri jõhvi otsaga rohi tööalal asuvate objektide ümber.

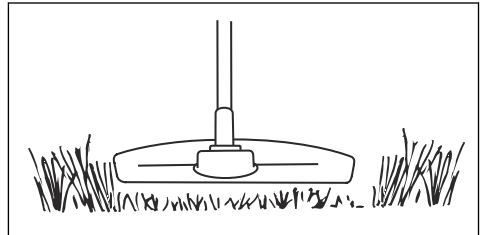


**ETTEVAATUST:** Lõigake rohi. Kui trimmeri jõhv tabab objekte, siis kiirendab see trimmeri kulumist.

4. Taimestiku lõikamisel ja eemaldamisel kasutage 80% kiirust. See vähendab trimmeripea ja trimmeri jõhvi kulumist.

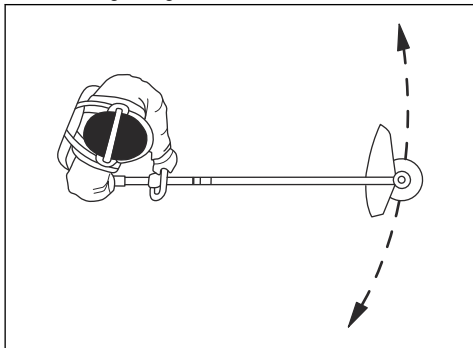
### Rohu lõikamine

1. Rohu lõikamisel jälgige, et trimmeri jõhv asuks maapinnaga paralleelselt.



2. Ärge vajutage trimmeripead vastu maapinda. See võib toodet kahjustada.

3. Liigutage muru lõigates toodet küljelt-küljele.  
Rakendage täisgaasi.



## Muru eemalpeühkimine

Pöörleva trimmerijõhvi ümber tekkivat õhuvoolu saab kasutada lõigatud muru alalt eemaldamiseks.

1. Hoidke trimmeripead ja jõhvi maapinna kohal maapinnaga paralleelselt.
2. Rakendage täisgaasi.
3. Liigutage trimmipead küljelt küljele ja pühkige muru.



**HOIATUS:** Uue trimmerijõhvi paigaldamisel puhastage trimmeripea katet, et vältida tasakaaluhäireid ja käepidemete vibreerimist. Kontrollige ja vajaduse korral puhastage ka trimmipea muid osi.

## Hooldamine

### Sissejuhatus



**HOIATUS:** Enne seadme hooldamist lugege läbi ohutuspeatükk ja veenduge, et see oleks teile täielikult arusaadav.

### Hoolduskeem

Hooldamine	Üks kord päevas	Üks kord nädalas	Iga kuu
Puhasta välispinnad.	X		
Kontrollige rakmeid kahjustuste suhtes.	X		
Kontrollige gaasihoovastiku nupu lukustit ja gaasihoovastiku nuppu. Vt jaotist <i>Gaasihoovastiku nupu luku kontrollimine lk 410</i> .	X		
Kontrollige, et käepidemel ja juhtraual ei oleks kahjustusi, ja veenduge, et need oleksid kinnitatud õigesti.	X		
Kontrollige seiskamislüliti. Vt jaotist <i>Seiskamislüliti kontrollimine lk 411</i> .	X		
Veenduge, et lõikeosa ei pöörleks tühikäigul.	X		
Puhasta õhufilter. Kahjustuste leidmise korral vahetage see välja.	X		
Kontrollige lõikeosakaitset kahjustuste ja mõrade suhtes.	X		
Veenduge, et saetera või rohuter on õigesti kinnitatud. Veenduge, et saetera või rohuter on terav ega ole kahjustatud.	X		
Kontrollige, et trimmipeal ei oleks kahjustusi ega mõrasid. Kahjustuste leidmise korral vahetage see välja.	X		
Lukustusmutriga lõikeosade puhul keerake lukustusmutter täiesti kinni.	X		
Veenduge, et transportkaitsmel ei oleks kahjustusi ja see oleks õigesti kinnitatud.	X		
Keera kinni mutrid ja poldid.	X		

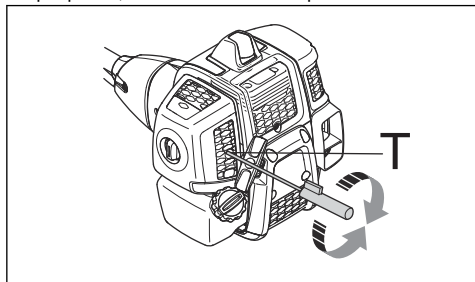


Hooldamine	Üks kord päevas	Üks kord nädalas	Iga kuu
Kontrolli, et mootorist, kütusepaagist ega kütusetorudest ei lekiks kütust.	X		
Kontrolli, kas starter ja käivitusnõör on terved.		X	
Kontrolli süüteküünalt. Vt jaotist <i>Süüteküünla kontrollimine lk 427</i> . Vajaduse korral vahetage süüteküünal välja. Veenduge, et süüteküünal on raadiohäirete kaitse.		X	
Puhasta karburaatori välispind ja selle ümbrus.		X	
Veenduge, et koonusülekanne on reduktorimäärdega õigesti täidetud. Vt jaotist <i>Reduktor lk 426</i> .		X	
Kontrollige, kas kütusefilter on puhas ja kütusevoolik terve. Vajaduse korral vaheta välja.			X
Kontrolli kõiki juhtmeid ja ühendusi.			X
Vaheta süüteküünal. Veenduge, et süüteküünal on raadiohäirete kaitse.			X

## Tühikäigu pöörete arvu reguleerimine

Kiirusnõel ja väikese kiirusega nõel on püsivalt seadistatud ja neid ei saa reguleerida. Tühikäigu pöörlemissagedus on ainus funktsioon, mida saab reguleerida.

1. Käivitage mootor ja veenduge, et see oleks enne tühikäigu pöörete reguleerimist soe.
2. Keerake tühikäigupöörete reguleerimiskruvi päripäeva, kuni löikeosa hakkab pöörlema.



3. Keerake tühikäigupöörete reguleerimiskruvi vastupäeva, kuni löikeosa peatub.
4. Tühikäigu pöörete arv peab jääma allapoole löikeosa pöörlema hakkamise kiirusest. Tühikäigu pöörete arv on õige siis, kui mootor töötab igas asendis ühtlaselt.

## Süüteküünla hooldamine

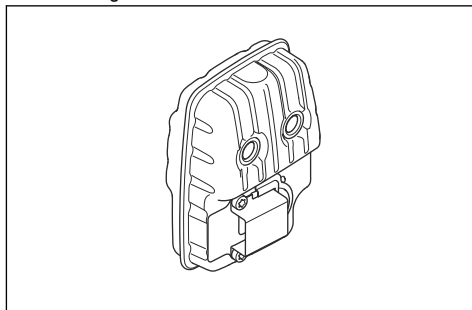
Summuti vähendab müra ja suunab mootori heitgaasid kasutajast eemale.



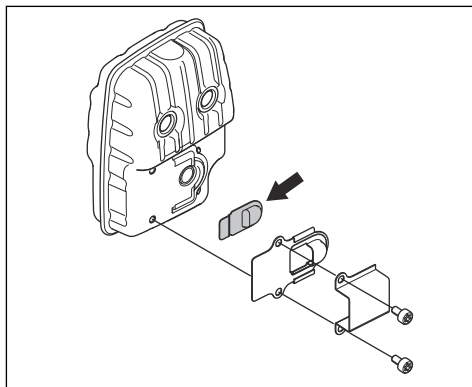
**HOIATUS:** Katalüüsmuunduriga summutid muutuvad töötamise ajal väga kuumaks ja püsivad kuumana ka mõnda aega pärast seadme seiskamist. See kehtib ka tühikäigu puhul. Kokkupuude sellega võib

põhjustada põletushaavu nahal. Mõelge tulekahjuohule.

1. Seisake seade ja laske sel maha jahtuda.
2. Eemaldage summuti.



3. Keerake lahti poldid ja eemaldage sädemepüüdja võrk.



4. Puhastage sädemepüüdja võrk või asendage see uuega, kui see on vigastatud.



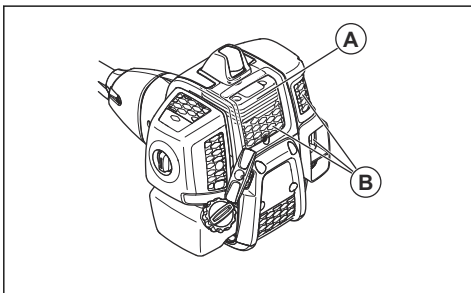
**ETTEVAATUST:** Asenda vigastatud võrk uuega. Ärge kasutage seadet, kui summuti sädemevõrk puudub või on defektne.



**ETTEVAATUST:** Kui võrk on sageli ummistunud, võib see olla signaaliks, et katalüsaator ei tööta täisvõimsusel. Summuti kontrollimiseks võtke ühendust hooldusesindusega. Ummistunud sädemevõrk põhjustab ülekuumenemist, mille tagajärjeks on silindri ja kolvi kahjustused.

## Jahutussüsteem puhastamine/hooldamine

Tootel on jahutussüsteem. Määrdund või ummistunud jahutussüsteemi korral kuumeneb toode üle ning silinder ja kolb võivad kahjustada saada. Puhastage jahutussüsteemi harjaga kord nädalas või nõudlike tingimuste korral sagedamini. Jahutussüsteem koosneb silindrist (A) ja õhuvõtuavast (B).



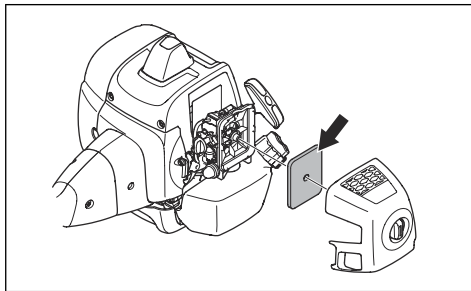
## Õhufilter

Must õhufilter võib põhjustada karburaatori rikkeid, käivitumisprobleeme, mootori võimsuse kadu ja mootoriosade kulumist. Samuti kasutab mootor sellisel juhul tavapärasest rohkem kütust. Puhastage filtrit iga kaheksa tunni järel, või kui seadet kasutatakse tolmuses keskkonnas, siis sagedamini.

**Märkus:** Pärast õhufiltri puhastamist või väljavahetamist võib vajalik olla mootori reguleerimine. Vt jaotist *Tühikäigu pöörete arvu reguleerimine lk 425*.

## Puhastage ja kontrollige õhufiltrit.

1. Eemalda õhufilter.



2. Kasutage õhufiltri puhastamiseks suruõhku.

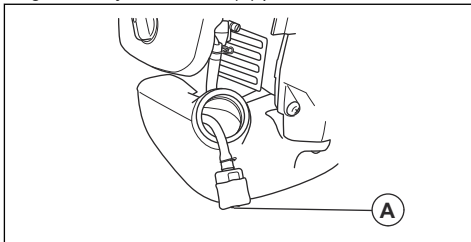


**ETTEVAATUST:** Kui õhufiltrit pole võimalik täielikult puhastada, vaheta see välja. Radiaatori kahjustunud õhufilter tuleb alati välja vahetada.

3. Puhastage õhufiltri katte sisepind. Kasutage suruõhku või harja.

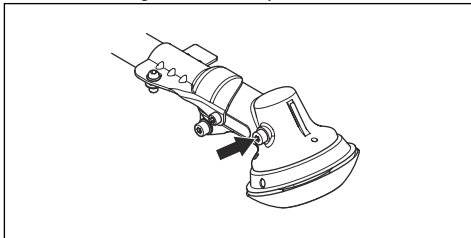
## Kütusefilter

Kui mootoril lõpeb kütus, veenduge, et kütusepaagi korki õhuva ja kütusefilter (A) poleks ummistunud.



## Reduktor

Nurkreduktor on vabrikust tulles täidetud küllaldase määrde kogusega. Enne seadme kasutamist veenduge siiski, et nurkreduktor on 3/4 ulatuses määrdega täidetud. Kasutage McCulloch spetsiaalset määret.



Koonushammasrattal ei ole vaja määret vahetada, kui koonushammasrattast ei remondita.

## Süüteküünla kontrollimine

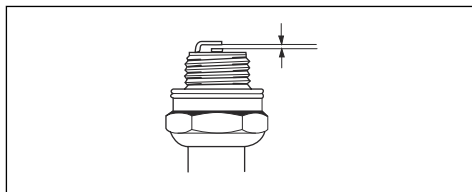


**ETTEVAATUST:** Kasutage alati soovitatud tüüpi süüteküünalt. Vale tüüpi süüteküünal võib toodet kahjustada.

- Kontrollige süüteküünalt, kui mootori võimsus on madal, mootor ei käivitu kergesti või ei tööta tühikäigul korralikult.
- Süüteküünla elektrodidele võõrainete kogunemise ohu vähendamiseks täitke järgmisi juhiseid.
  - Veenduge, et tühikäigu pöörete arv on õigesti seadistatud.
  - Veenduge, et kütusesegu oleks õige.

c) Veenduge, et õhufilter oleks puhas.

- Kui süüteküünal on määratud, puhastage see ja kontrollige, kas elektrodide vahe on õige, vt jaotist *Tehnilised andmed lk 427*.



- Vajaduse korral vahetage süüteküünal välja.

## Tehnilised andmed

	B40 B Elite	B40 BT Elite
<b>Mootor</b>		
Silindrimaht, cm <sup>3</sup>	40,1	40,1
Silindri läbimõõt, Ø mm	40,5	40,5
Silindri töökäigu pikkus, mm	31,1	31,1
Pöörlemiskiirus tühikäigul, p/min	3000	3000
Soovituslik suurim pöörete arv, p/min	12000	12000
Väljuva võlli pöörlemiskiirus, p/m	8220	8220
Mootori max võimsus ISO 8893 järgi, kW / p/min	1,5/9000	1,5/9000
<b>Süütesüsteem</b>		
Süüteküünal	NGK CMR7H-10	NGK CMR7H-10
Elektrodide vahe, mm	0,9-1,0	0,9-1,0
<b>Kütuse-/määrimissüsteem</b>		
Karburaaatori tootja/tüüp	Ruixing H225D-	Ruixing H225D-
Kütusepaagi maht, l/cm <sup>3</sup>	1 / 1000	1/1000
<b>Mass</b>		
Seadme kaal ilma kütuse, löikeosa ja kaitsmeta, kg	7,3	7,4
<b>Müraemissioon<sup>46</sup></b>		
Helitugevuse tase, dB(A)	112	112
Müravõimsustase, garanteeritud L <sub>WA</sub> dB(A)	118	118

<sup>46</sup> Müraemissioon ümbritsevasse keskkonda, mõõdetud helivõimsuse tasemena (L<sub>WA</sub>) vastavalt EÜ direktiivile 2000/14/EÜ. Seadme antud müratase mõõdeti enim müra tekitava originaallöikeosa kasutamisel. Erinevus garanteeritud ja mõõdetud helivõimsustaseme vahel seisneb selles, et direktiivi 2000/14/EÜ alusel hõlmab garanteeritud helivõimsustase ka mõõtmistulemuste dispersiooni ja kõrvalekaldeid sama mudeli erinevate seadmete vahel.

	B40 B Elite	B40 BT Elite
<b>Müüratasemed<sup>47</sup></b>		
Ekvivalentne müra rõhutase kasutaja kõrva juures, mõõdetud EN/ISO 11806 ja ISO 22868 järgi, dBA, väikseim/suurim:		
Originaaltrimmipeaga	100	100
Originaalrohutera	99	99
Originaalsaeteraga	–	99
<b>Vibratsioonitase<sup>48</sup></b>		
Käepidemete ekvivalentsed vibratsioonitasemed ( $a_{Hv,eq}$ ), mõõdetud EN ISO 11806 ja ISO 22867 järgi, m/s <sup>2</sup>		
Vasak-/parempoolse originaaltrimmeripeaga	3,4 / 4,4	3,4/4,4
Vasak-/parempoolse originaalrohulõiketeraga	5,2 / 5,1	5,2/5,1
Originaalsaeteraga, vasak/parem	–	4,5 / 4,2

<b>B40 B Elite, B40 BT Elite</b>		
<b>Heakskidatud lisavarustus</b>	<b>Tüüp</b>	<b>Lõikeosa kaitsekate, art. nr.</b>
Tera/noa keskmine ava on Ø 25,4 mm		
Keermestatud teratelt M12		
Rohutera/rohunuga	Rohutera 255-4, 1" (Ø 255, 4 hammast)	580 30 50-01
	Rohutera 255-3 (Ø 255, 3 hammast)	580 30 50-01
Saetera	Saetera 200-22 (Ø 200, 22 hammast)	581 33 84-01
Trimmeripea	P35	580 30 50-01
Tugikuppel	Kinnitatud	–

<sup>47</sup> Müra rõhutase kohta toodud andmete statistiline dispersioon (standardhälve) on 1 dB(A).

<sup>48</sup> Vibratsioonitase kohta toodud andmete tüüpiline statistiline dispersioon (standardhälve) on 1 m/s<sup>2</sup>.

---

# EÜ vastavusdeklaratsioon

---

## EÜ vastavusdeklaratsioon

Husqvarna ABSE-561 82 Huskvarna, Rootsi +46 36 146500, kinnitab, et võsalõikurid **McCulloch B40 B Elite**, ja seerianumbritega alates 2021 ja edasi (aastaarv ja sellele järgnev seerianumber on selgelt märgitud mudeli andmesildile) vastavad järgmise NÕUKOGU DIREKTIIVI nõuetele:

- **2006/42/EÜ** (17. mai 2006), masinadirektiiv;
- **2014/30/EL** (26. veebruar 2014), elektromagnetilise ühilduvuse direktiiv.
- **2000/14/EÜ** (8. mai 2000), müradirektiiv; Vastavushindamine vastavalt lisale V. Müra kohta leiata teavet tehniliste andmete peatükist.
- 8. juuni 2011. a., „elektri- ja elektroonikaseadmetes teatavate ohtlike ainete kasutamise piiramise direktiiv“ **2011/65/EL**.

Rakendatud on järgmisi standardeid:

**EN ISO 12100:2010, CISPR 12:2007+A1:2009, EN ISO 14982:2009, EN ISO 11806-1:2011, EN IEC 63000:2018**

RISE SMP Svensk Maskinprovning AB, Box 7035, SE-750 07 Uppsala, Sweden on teinud Husqvarna AB tellimusel vabatahtliku tüübihindamise. Sertidel on numbrid: **SEC/12/2339** B40 B Elite, B40 BT Elite

RISE SMP Svensk Maskinprovning AB on ka kinnitanud vastavust nõukogu direktiivi 2000/14/EÜ lisale V.

Huskvarna, 2020-08-25



Pär Martinsson, arendusdirektor (Husqvarna AB volitatud esindaja ja tehnilise dokumentatsiooni vastutav juht)

---

## Saturs

---

Ievads.....	430	Apkope.....	450
Drošība.....	433	Tehniskie dati.....	453
Montāža.....	440	EK atbilstības deklarācija.....	455
Lietošana.....	444	.....	0

---

## Ievads

---

### Izstrādājuma apraksts

Izstrādājums ir krūmgriezis ar iekšdedzes dzinēju.

Mēs nepārtraukti strādājam, lai uzlabotu jūsu drošību un efektivitāti, darbojoties ar šo ierīci. Lai iegūtu plašāku informāciju, sazinieties ar apkopes sniedzēju.

### Paredzētā lietošana

Izmantojiet izstrādājumu ar zāģa asmeni, zāles asmeni vai trimmera galvu, lai grieztu dažāda veida veģetāciju. Neizmantojiet izstrādājumu citiem uzdevumiem, izņemot

zāles plaušanu, zāles aplīdzināšanu un meža tīrīšanu. Izmantojiet zāģa asmeni, lai zāģētu šķiedrainu koku. Izmantojiet zāles asmeni vai trimmera galvu, lai plautu zāli.

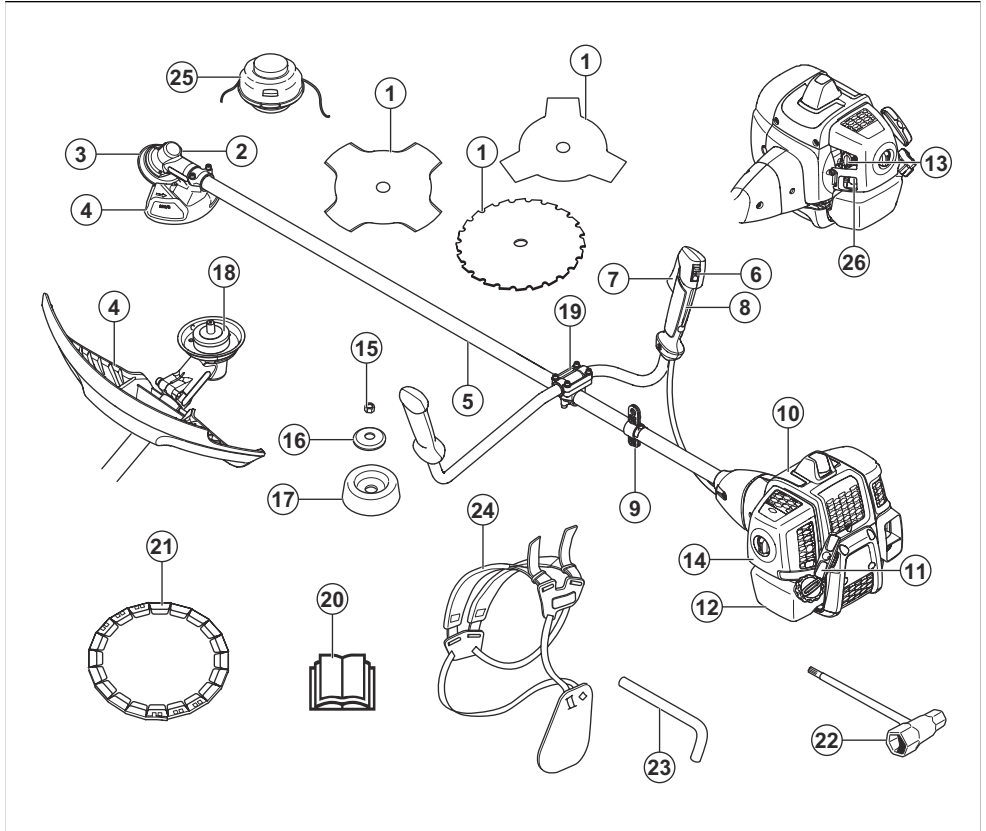
---

**Piezīme:** Uz lietošanu var attiekties valsts vai vietējie noteikumi. Ievērojiet norādītos noteikumus.

---

Izmantojiet izstrādājumu tikai ar ražotāja apstiprinātiem piederumiem. Skatiet šeit: *Tehniskie dati lpp. 453*.

## Izstrādājuma pārskats



- |   |  |
|---|--|
| <ol style="list-style-type: none"> <li>1. Asmens (ne visos tirgos)</li> <li>2. Smērvielu uzpildes vāciņš, koniskais zobrats</li> <li>3. Koniskais zobrats</li> <li>4. Griešanas ierīces aizsargs</li> <li>5. Kāts</li> <li>6. Apturēšanas slēdzis</li> <li>7. Droseles mēlīte</li> <li>8. Droseles blokators</li> <li>9. Uzkaibes cilpa</li> <li>10. Cilindra pārsegs</li> <li>11. Startera rokturis</li> <li>12. Degvielas tvertne</li> <li>13. Gaisa vārsta vadība</li> <li>14. Gaisa filtra vāks</li> <li>15. Pretuzgrieznis</li> <li>16. Balsta atloks</li> <li>17. Balsta uzlika</li> <li>18. Piedziņas disks</li> </ol> | <ol style="list-style-type: none"> <li>19. Roktura skava</li> <li>20. Lietotāja rokasgrāmata</li> <li>21. Transportēšanas aizsargs (ne visos tirgos)</li> <li>22. Ārējā galatslēga</li> <li>23. Fiksēšanas tapa (produktiem bez sešstūra atslēgas)</li> <li>24. Stiprinājuma sikсна (drošības josta)</li> <li>25. Trimmera galva</li> <li>26. Atgaisošanas sūkņa balons</li> </ol> |
|---|--|

### Simboli uz izstrādājuma



**BRĪDINĀJUMS.** Šis izstrādājums ir bīstams. Tas var izraisīt traumas vai nāvi operatoram vai blakus stāvošām personām, ja izstrādājums netiek lietots uzmanīgi un pareizi. Lai novērstu traumas operatoram vai blakus stāvošām personām, izlasiet un ievērojiet visas drošības instrukcijas lietošanas rokasgrāmātā.



Rūpīgi izlasiet šo lietotāja rokasgrāmatu un pirms izstrādājuma lietošanas pārlicinieties, vai izprotat instrukcijas.



Izmantojiet aizsargķiveri vietās, kur jums var uzkrīst priekšmeti. Izmantojiet apstiprinātus dzirdes aizsarglīdzekļus. Izmantojiet apstiprinātus acu aizsarglīdzekļus.



Izmantojiet apstiprinātus aizsargcimdus.



Velciet darba apavus ar neslīdošām zolēm.



Izstrādājums var izsviest objektus, kas var radīt traumas.



Dzenamās vārpstas maksimālais ātrums.



Izstrādājuma lietošanas laikā ievērojiet minimālo attālumu — 15 m/50 pēdas — no personām un dzīvniekiem.



Pastāv asmens atsitiens risks, ja griešanas aprīkojums saskaras ar objektu, kuru tas nevar uzreiz pārgriezt. Izstrādājums var nogriezt ķermeņa daļas. Izstrādājuma lietošanas laikā ievērojiet minimālo attālumu — 15 m/50 pēdas — no cilvēkiem un dzīvniekiem.



Izmantojiet tikai elastīgu griešanas stiepli. Neizmantojiet metāla griešanas elementus. Izmantojiet šo par zāles aizsargpiederumu.



Bultiņas norāda roktura stāvokļa ierobežojumu.



Atgaisošanas sūkņa balans.



Degvielas uzpildīšana.



Gaisa vārsts.



Trokšņa izplūde vidē atbilstoši Eiropas Direktīvai 2000/14/EK un Jaundienvidevlas tiesību aktiem “Darba vides aizsardzības (trokšņa kontroles) regula (2017)”. Trokšņa emisijas dati ir norādīti uz iekārtas etiķetes un sadaļā *Tehniskie dati lpp. 453*.



Šis izstrādājums atbilst piemērojamo EK direktīvu prasībām.

yyyywwxxxx

Datu plāksnītē vai lāzera izdrukā ir norādīts sērijas numurs. **yyyy** ir ražošanas gads, savukārt **ww** ir ražošanas nedēļa.

**Piezīme:** Pārējie uz izstrādājuma norādītie simboli/uzlīmes attiecas uz citu tirdzniecības nozaru sertifikācijas prasībām.

## Atbildība par izstrādājuma kvalitāti

Saskaņā ar likumiem par izstrādājuma kvalitāti mēs neuzņemamies atbildību par bojājumiem, ko radījis mūsu izstrādājums, ja:

- ir veikts nepareizs izstrādājuma remonts;
- izstrādājuma remonts ir veikts, izmantojot detaļas, ko nav nodrošinājis vai apstiprinājis ražotājs;
- izstrādājumam tiek pievienots piederums, ko nav nodrošinājis vai apstiprinājis ražotājs;
- izstrādājuma remonts nav veikts pilnvarotā remontdarbnīcā vai pie pilnvarota speciālista.

## Euro V emisija



**BRĪDINĀJUMS:** Motora atvēršana anulē šī ķēdes zāga ES tipa apstiprinājumu.



# Drošība

## Drošības definīcijas

Tālāk sniegtās definīcijas norāda katra signālvārda nozīmīguma līmeni.



**BRĪDINĀJUMS:** Traumas.



**IEVĒROJIET:** Izstrādājuma bojājumi.

**Piezīme:** Šī informācija atvieglo izstrādājuma lietošanu.

## Vispārīgi norādījumi par drošību



**BRĪDINĀJUMS:** Pirms sākat lietot izstrādājumu, izlasiet turpmāk izklāstītos brīdinājumus.

- Šis izstrādājums darbības laikā rada elektromagnētisko lauku. Noteiktos apstākļos šis lauks var traucēt aktīvā vai pasīvā medicīniskā implantāta darbību. Lai samazinātu nopietnas traumas gūšanas vai dzīvības zaudēšanas risku, mēs iesakām personām, kam ir medicīniskie implantāti, pirms šī izstrādājuma lietošanas konsultēties ar savu ārstu un medicīniskā implantāta ražotāju.
- Neizmantojiet šo izstrādājumu, ja esat noguris, slims vai esat alkohola, narkotiku vai medikamentu izraisītā reibumā. Šāds stāvoklis negatīvi ietekmē jūsu redzi, modrību, koordināciju un spriestspēju.
- Neizmantojiet izstrādājumu sliktos laikapstākļos, piemēram, biežā miglā, stiprā lietū, spēcīgā vējā un lielā aukstumā. Izstrādājuma izmantošana sliktos laikapstākļos, piemēram, apledojuši zeme un neparedzams koku krišanas virziens, liek jums nogurt un palielina riskus.
- Vienmēr rīkojieties piesardzīgi un saprātīgi. Ja neesat pārliecināts par darba situāciju vai darbības procedūrām pēc lietotāja rokasgrāmatas izlasīšanas, sazinieties ar pilnvaroto apkopes sniedzēju.
- Neņemiet aizdedzes sveces uzgali, ja atstājat izstrādājumu bez uzraudzības.

## Norādījumi par drošu uzstādīšanu



**BRĪDINĀJUMS:** Pirms sākat lietot izstrādājumu, izlasiet tālāk izklāstītās brīdinājuma instrukcijas.

- Montējot izstrādājumu un griešanas ierīci, izmantojiet apstiprinātus aizsargcimdus.
- Pirms izstrādājuma montāžas noņemiet aizdedzes sveces uzgali no aizdedzes sveces.
- Pirms izstrādājuma lietošanas pārliecinieties, vai ir uzstādīts pareizais stūres stienis un griešanas ierīces aizsargs.
- Bojāts vai nepareizs griešanas ierīces aizsargs var izraisīt traumu. Ja nav uzstādīts apstiprināts griešanas ierīces aizsargs, nekādā gadījumā nedrīkst izmantot griešanas ierīci.
- Pirms izstrādājuma iedarbināšanas pareizi pievienojiet sajūga vāku un vārpstu.
- Dzenošajam diskam un balsta atlokam ir jābūt pareizi pievienotam griešanas ierīces centrālajā atverē. Griešanas ierīce, kas nav piestiprināta pareizi, var izraisīt traumu vai nāvi.
- Pievienojiet izstrādājumam stiprinājumu, lai nepieļautu operatora vai citu personu traumas.

## Darba drošības instrukcijas



**BRĪDINĀJUMS:** Pirms sākat lietot šo izstrādājumu, izlasiet tālāk izklāstītos brīdinājumus.

- Pirms izstrādājuma lietošanas apgūstiet un izprotiet atšķirības starp meža tīrīšanu, zāles pļaušanu un zāles apgriešanu.
- Lietojiet individuālos aizsardzības līdzekļus, skatiet *Individuālie aizsarglīdzekļi lpp. 434*.
- Ilgstoša uzturēšanās troksnī var radīt pastāvīgu dzirdes zudumu. Vienmēr izmantojiet apstiprinātus dzirdes aizsarglīdzekļus.
- Izmantojot dzirdes aizsarglīdzekļus, klausieties brīdinājuma signālos un skalās balsīs. Līdzko dzinējs apstājas, vienmēr noņemiet dzirdes aizsarglīdzekļus.
- Nekad nelietojiet izstrādājumu, ja tas ir pārveidots vai bojāts.
- Lai izvairītos no elektriskās strāvas trieciena, nodrošiniet, lai aizdedzes sveces uzgalis un aizdedzes vads nebūtu bojāti.
- Pārļūkojiet darba zonu, lai pārliecinātos, ka personas, dzīvnieki vai objekti nevar negatīvi ietekmēt izstrādājuma drošu darbību.
- Pārļūkojiet darba zonu, lai pārliecinātos, ka personas vai dzīvnieki nepieskaras griešanas ierīcei vai tos neskar griešanas ierīces izviesīti objekti.
- Nelietojiet izstrādājumu situācijā vai vietā, kur nevarat saņemt palīdzību, ja notiek negadījums.
- Nelietojiet izstrādājumu bez apstiprināta griešanas ierīces aizsarga.
- Pārliecinieties, ka darba laikā personas vai dzīvnieki atrodas vismaz 15 m attālumā. Kad griešanas apkārt ar izstrādājumu, vienmēr skatieties uz aizmuguri.

Nekavējoties apturiet izstrādājumu, ja persona vai dzīvnieks ieņāk 15 m drošības zonā. Ja vienā teritorijā strādā vairāk nekā viens operators, ievērojiet drošības attālumu, kas ir vismaz 2 reizes lielāks par koka augstumu, un vismaz 15 m/50 pēdas.

- Pārbaudiet darba zonu. Izvairieties no priekšmetiem, piemēram, akmeņiem, stikla lauskām, naglām, metāla paliekām, striķiem un citiem, kas var gadīties ceļā vai iesprūst griešanas ierīcē.
- Pārliecinieties, ka varat droši pārvietoties un droši stāvēt. Pārbaudiet teritoriju sev apkārt, lai konstatētu tādus šķēršļus kā saknes, akmeņus, zarus un grāvjus. Esiet uzmanīgs, strādājot uz nogāzēm.



- Nesniedzieties pārāk tālu. Vienmēr saglabājiet stabilu pēdu stāvokli un labu līdzsvaru.
- Pirms iedarbināt izstrādājumu, novietojiet to uz līdzenas virsmas vismaz 3 m/10 pēdu attālumā no degvielas avota un vietas, kur uzpildāt degvielu. Pārliecinieties, ka tuvumā nav objektu, kas pieskartos griešanas ierīcei.
- Ja griešanas ierīce rotē brīvgaitā, ļaujiet servisa pārstāvim to noregulēt. Nelietojiet izstrādājumu, kamēr tas nav noregulēts vai saremontēts.
- Uzmanieties no izvīstiem objektiem. Vienmēr izmantojiet apstiprinātus acu aizsarglīdzekļus un turieties atstātos no griešanas ierīces aizsarga. Akmeņi un citi mazi objekti var tikt iemesti jūsu acīs, un tas var izraisīt aklumu vai citas traumas.
- Nekad nelieciet izstrādājumu zemē ar ieslēgtu dzinēju, ja jūs nevarat to paturēt savā redzes lokā.
- Nenonēmiat sagrieztu materiālu un neļaujiet citām personām ņemt sagrieztu materiālu, kamēr dzinējs darbojas vai griešanas aprīkojums rotē, jo tas var izraisīt nopietnas traumas.
- Pirms ņemmat materiālu, kas ir aptinies ap asmens vārpstu vai iesprūdis starp griešanas ierīces aizsargu un griešanas ierīci, vienmēr apturiet dzinēju un pārliecinieties, ka griešanas ierīce nerotē.
- Esiet uzmanīgs, ņemot materiālu no griešanas aprīkojuma. Koniskais zobrats darba laikā sakarst un var radīt apdegumus.
- Dzinēja izplūdes gāzes ir karstas, un tajās var būt dzirksteles. Ugunsgrēka risks. Esiet piesardzīgs sausa un uzliesmojoša materiāla tuvumā.

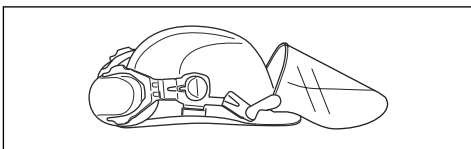
- Nekad nelietojiet izstrādājumu telpās vai vietās, kur nav atbilstošas ventilācijas. Izplūdes gāzes satur oglekļa monoksīdu, kas ir bezkrāsaina un indīga gāze.
- Apturiet dzinēju, pirms pārejat uz jaunu darba zonu. Pirms pārvietojat iekārtu, vienmēr piestipriniet transportēšanas aizsargu.
- Personām ar asinsrites traucējumiem pārmērīga atrašanās vibrāciju ietekmē var izraisīt asinsrites vai nervu sistēmas saslimšanu. Ja jūtat pārmērīgas vibrācijas ietekmes simptomus, sazinieties ar ārstu. Simptomi var būt tirpšana, nejutīgums, nieze, sāpes, bezspēks, kā arī ādas krāsas vai stāvokļa izmaiņas. Šie simptomi parasti ir novērojami pirkstos, rokās vai locītavās. Risks palielinās zemā temperatūrā.

## Individuālie aizsarglīdzekļi

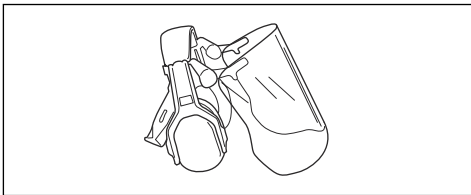


**BRĪDINĀJUMS:** Pirms sākat lietot izstrādājumu, izlasiet turpmāk izklāstītos brīdinājumus.

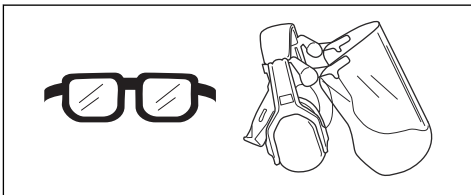
- Izmantojot izstrādājumu, vienmēr lietojiet apstiprinātus individuālos aizsarglīdzekļus. Šādi līdzekļi nevar pilnībā novērst traumu gūšanas risku, taču samazina traumu smaguma pakāpi, ja negadījums tomēr notiek. Ļaujiet izplatītajam palīdzēt jums izvēlēties pareizo aprīkojumu.
- Lietojiet ķiveri, ja koki darba zonā ir garāki par 2 m/6,5 pēdām.



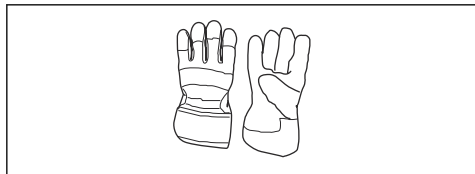
- Izmantojiet apstiprinātus dzirdes aizsarglīdzekļus.



- Izmantojiet apstiprinātus acu aizsarglīdzekļus. Apstiprinātas aizsargbrilles ir jālieto arī tad, ja tiek izmantots sejsēgs. Apstiprinātas aizsargbrilles ir tādas, kas atbilst standartam ANSI Z87.1 prasībām ASV vai standartam EN 166 prasībām ES valstīs.



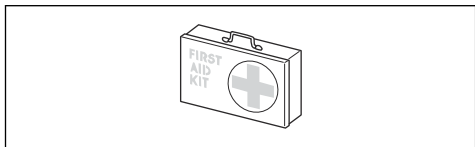
- Vajadzības gadījumā izmantojiet cimdus, piemēram, piestiprinot, pārbaudot vai tīrot griešanas aprīkojumu.



- Lietojiet aizsargapavus ar tērauda purngaliem un neslīdošām zolēm.



- Lietojiet izturīga auduma apģērbu. Vienmēr valkājiet biezas, garas bikses un apģērbu ar garām piedurknēm. Nevalkājiet vaļīgu apģērbu, kas viegli var iekļerties krūmos un zaros. Nevelciet dārglietas, īsas bikses un sandales. Nestaiģājiet basām kājām. Sakārtojiet matus droši virs pleciem.
- Turiet tuvumā neatliekamās palīdzības aprīkojumu.



## Produkta drošības ierīces

Informāciju par to, kur atrodamas drošības ierīces, skatiet šeit: *Griešanas ierīces aizsargs lpp. 436.*



**BRĪDINĀJUMS:** Pirms sākat lietot izstrādājumu, izlasiet tālāk izklāstītās brīdinājuma instrukcijas.

- Nelietojiet izstrādājumu, ja ir bojātas drošības ierīces. Regulāri pārbaudiet drošības ierīces un veiciet to apkopi. Ja drošības ierīces ir bojātas, sazinieties ar savu McCulloch servisa pārstāvi.
- Nepārveidojiet drošības ierīces. Nelietojiet izstrādājumu, ja nav uzstādīti aizsargpārsegi, drošības slēdži un citas aizsargierīces vai tās ir bojātas.
- Visiem izstrādājuma, jo īpaši drošības ierīču, apkopes un remonta darbiem ir vajadzīga īpaša apmācība. Ja drošības ierīces neatbilst lietotāja rokasgrāmatā sniegto pārbauciņu prasībām, jums jāvērsas pie servisa pārstāvja pēc palīdzības. Mēs garantējam, ka ir pieejams profesionāls remonts un apkope. Ja jūsu izplatītājs nav servisa pārstāvis,

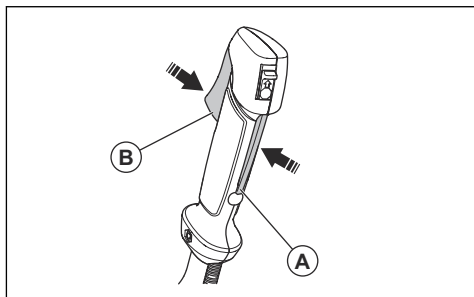
vērsieties pie viņa, lai iegūtu informāciju par tuvāko servisa pārstāvi.

- Nelietojiet griešanas ierīci, ja tai nav pareizi uzstādīts apstiprināts griešanas ierīces aizsargs. Skatiet šeit: *Tehniskie dati lpp. 453.*

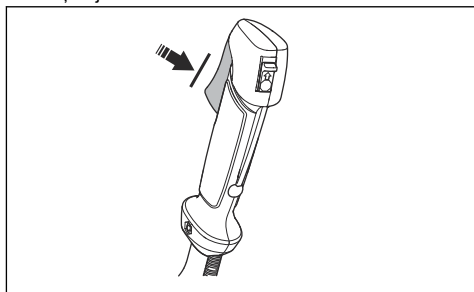
## Droseles mēlītes bloķētāja pārbaude

Droseles bloķētājs novērš nejaušu droseles vadības ierīces nospiešanu.

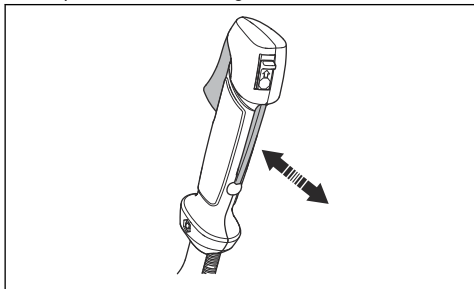
1. Nospiediet droseles mēlītes bloķētāju (A) un pārbaudiet, vai droseles vadības ierīce tiek atlaista (B). Atlaižot rokturi, droseles vadības ierīce un droseles mēlītes bloķētājs pārvietojas atpakaļ sākotnējā stāvoklī. Šo kustību vada divas atgriezes atsperes. Šī konfigurācija nozīmē to, ka droseles vadības ierīce automātiski fiksējas tukšgaitas stāvoklī.



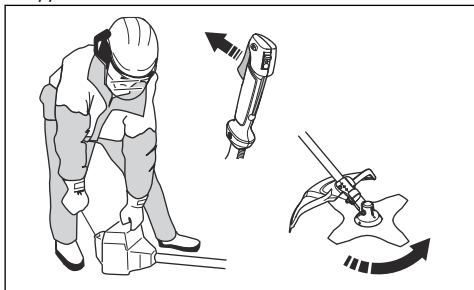
2. Pārlecinieties, vai droseles vadības ierīce ir fiksēta tukšgaitas stāvoklī, atlaižot droseles mēlītes bloķētāju.



3. Nospiediet droseles mēlītes bloķētāju un pārbaudiet, vai pēc atlaišanas tas atgriežas sākuma stāvoklī.

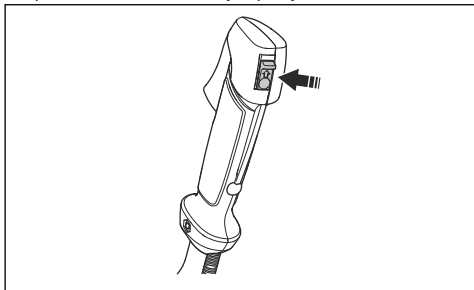


4. Pārbaudiet, vai droseles vadības ierīce un droseles mēlītes bloķētājs kustas brīvi un atgriežas atsperes darbojas pareizi.
5. Iedarbiniet izstrādājumu (skatiet norādījumus šeit: *Ieslēgšana un izslēgšana lpp. 445*) un darbiniet ar maksimālu dzinēja apgriezīgu skaitu.
6. Atlaidiet droseles ierīci un pārbaudiet, vai griešanas ierīce apstājas un paliek nekustīga. Noregulējiet karburatoru, ja plaušanas piederums kustas ar droseles tukšgaitas stāvoklī. Skatiet norādījumus sadaļā *Tukšgaitas apgriezīgu skaita regulēšana lpp. 451*.



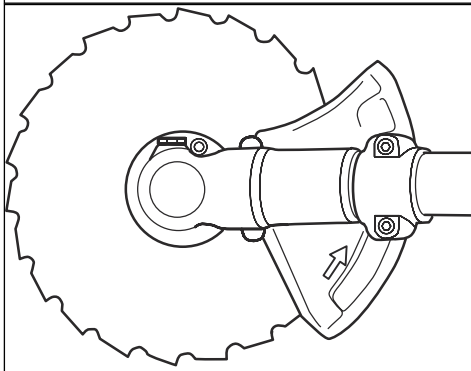
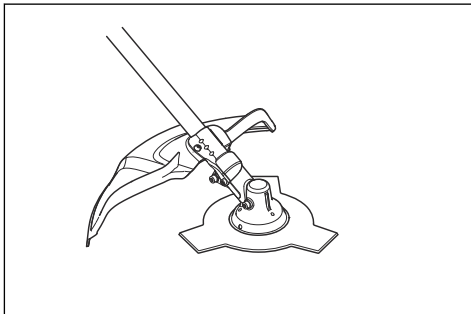
#### Apturēšanas slēdža pārbaude

1. Iedarbiniet dzinēju.
2. Pārvietojiet slēdzi izslēgšanas stāvoklī un pārliecinieties, ka dzinējs apstājas.



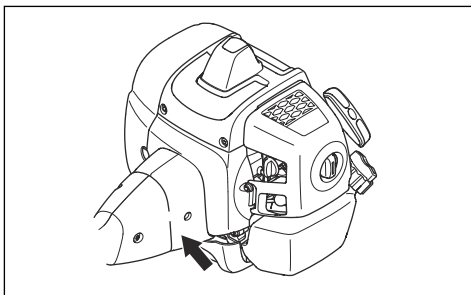
#### Griešanas ierīces aizsargs

Griešanas ierīces aizsargs nelauj vaļīgus objektus izsviest operatora virzienā. Pārbaudiet, vai nav radušies griešanas ierīces aizsarga bojājumi, un nomainiet to, ja tas ir bojāts. Griešanas ierīcei izmantojiet tikai apstiprinātu aizsargu.



#### Vibrāciju slāpēšanas sistēmas pārbaude

Vibrāciju slāpēšanas sistēma līdz minimumam samazina vibrāciju rokturos, tādējādi atvieglojot darbu.



1. Apturiet dzinēju.
2. Vizuāli pārbaudiet, vai nav deformācijas un bojājumu, piemēram, plaisu.
3. Pārliecinieties, vai vibrāciju slāpēšanas sistēmas elementi ir pievienoti pareizi.

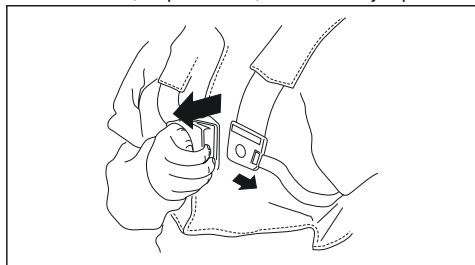
## Ātrās atvienošanas mehānisma pārbaude



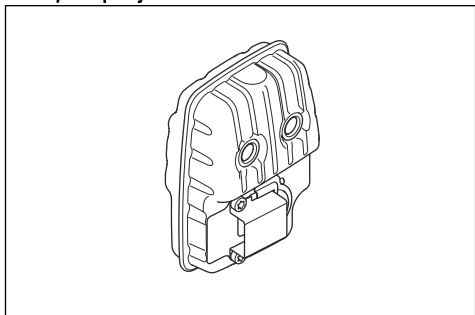
**BRĪDINĀJUMS:** Nelietojiet uzakabi ar bojātu ātrās atvienošanas mehānismu.

Ātrās atvienošanas mehānisms ļauj operatoram ātri noņemt izstrādājumu no uzkabes, ja rodas ārkārtas situācija.

1. Apstādiniet dzinēju.
2. Vizuāli pārbaudiet, vai nav bojājumu, piemēram, plaisu.
3. Atvienojiet un piestipriniet ātrās atvienošanas mehānismu, lai pārbaudītu, vai tas darbojas pareizi.



## Trokšņa slāpētājs



- Neizmantojiet dzinēju, kura trokšņa slāpētājs ir bojāts. Bojāts trokšņa slāpētājs palielina trokšņa līmeni un aizdegšanās risku. Turiet tuvumā ugunsdzēsamo aparātu.
- Regulāri pārbaudiet izstrādājumam pievienoto trokšņa slāpētāju.
- Nepieskarieties dzinējam vai trokšņa slāpētājam, kad dzinējs darbojas. Nepieskarieties dzinējam vai trokšņa slāpētājam vēl brīdi pēc dzinēja apturēšanas. Karstas virsmas var izraisīt traumas.
- Karsts trokšņa slāpētājs var izraisīt aizdegšanos. Esiet uzmanīgs, ja izmantojat izstrādājumu uzliesmojošu šķidrums vai tvaiku tuvumā.
- Nepieskarieties trokšņa slāpētāja detaļām, ja trokšņa slāpētājs ir bojāts. Detaļas var saturēt kancerogēnas ķīmikālijas.

- Ja ierīce ir aprīkota ar dzirkstēļu uztvērēju, regulāri tīriet dzirkstēļu uztvērēju.

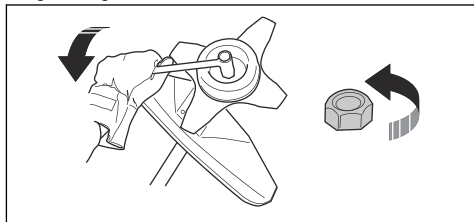
## Pretuzgriežņa piestiprināšana un noņemšana



**BRĪDINĀJUMS:** Apturiet dzinēju, izmantojiet aizsargcimdus un esiet piesardzīgs, rīkojoties ar griešanas ierīces asajām malām.

Pretuzgriežni izmanto dažu veidu griešanas ierīču piestiprināšanai. Pretuzgriežnim ir kreisās puses vītne.

- Lai piestiprinātu, pievelciet pretuzgriežni pretēji griešanas ierīces griešanās virzienam.
- Lai noņemtu pretuzgriežni, palaidiet to vaļīgāk griešanas ierīces rotēšanas virzienā.
- Lai palaistu vaļīgāk un pievilktu pretuzgriežni, izmantojiet ārējo galatslēgu ar garu kātu. Bulta attēlā rāda laukumu, kurā varat droši darboties ar ārējo galatslēgu.



**BRĪDINĀJUMS:** Palaižot vaļīgāk un pievelkot pretuzgriežni, pastāv iespēja savainoties ar asmeni. Veicot šo darbību, vienmēr pārliecinieties, vai asmeņu aizsargs pasargā no rokas savainošanas.

**Piezīme:** Pārbaudiet, vai pretuzgriežni nevar pagriezt ar pirkstiem. Nomainiet pretuzgriežni, ja neilona oderējuma pretestība nav vismaz 1,5 Nm. Pretuzgriežnis ir jānomaina, kad tas ir lietots apmēram 10 reizes.

## Griešanas ierīce

Izvēlieties un apkopiet griešanas aprīkojumu, lai:

- panāktu maksimāla griešanas efektivitāti;
- palielinātu griešanas aprīkojuma darbmūžu.
- levdrošīgu slāpētāja pārbaudes, apkopes un servisa instrukcijas.
- Griešanas aprīkojumam vienmēr izmantojiet tikai apstiprinātu aizsargu. Skatiet tehniskos datus.



**BRĪDINĀJUMS:** Griešanas aprīkojumu lietot tikai komplektā ar mūsu ieteiktu aizsargaprīkojumu! Skatiet sadaļu Tehniskie dati. Lai pareizi uzlītu trimmera auklu un izvēlētos pareizu tās diametru,

skatiet griešanas ierīci pievienotos norādījumus.

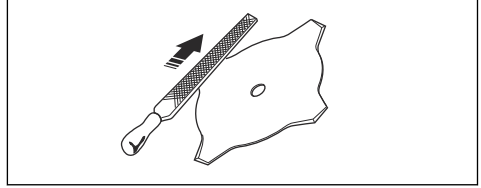


**BRĪDINĀJUMS:** Bojāta griešanas ierīce var palielināt negadījumu rašanās risku.



**BRĪDINĀJUMS:** Vienmēr apturiet motoru, pirms sākat rīkoties ar kādu griešanas aprīkojumu. Tas var turpināt griezties arī pēc tam, kad drosēle ir atlaista. Pārlicinieties, vai griešanas ierīce ir pilnībā apstājusies, un pirms apkopes atvienojiet aizdedzes sveci uzgali.

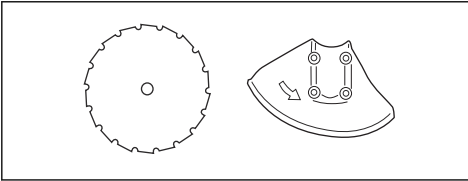
*griezēju un zāles asmeņu asināšana (pp. 439) un izmantojiet ieteikto šablonu.*



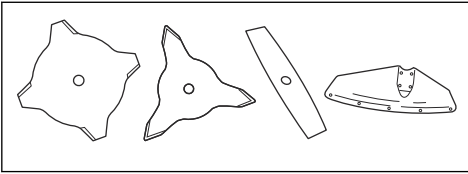
- Pārbaudiet, vai griešanas ierīce nav bojāta vai ieplaisājusi. Nomainiet bojātu griešanas ierīci.
- Lietojiet griešanas ierīces tikai ar ieteiktajiem aizsargiem! Skatiet: *Tehniskie dati lpp. 453.*

### Griešanas ierīce

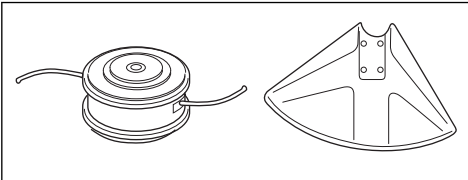
- Izmantojiet zāga asmeni, lai zāgētu šķiedrainu koku.



- Izmantojiet asmeņus un zāles nažus, lai plautu leknu zāli.



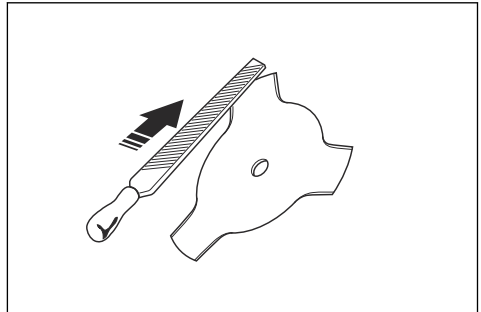
- Izmantojiet trimera galvu, lai apgrieztu zāli.



- Nepareizi uzasināts vai bojāts asmens palielina nelaimes gadījumu risku. Asmens zobiem ir jābūt pareizi uzasinātiem. Ievērojiet norādījumus (*Zāles*

### Asmeņi

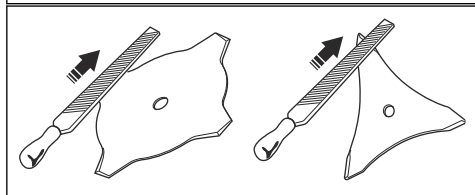
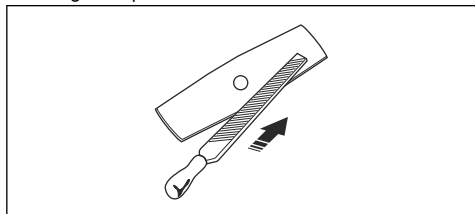
- Izmantojiet izstrādājumu kopā ar apstiprinātu asmeni. Nelietojiet asmeni, ja nav pareizi uzstādītas visas nepieciešamās daļas. Pārlicinieties, vai uzstādīšana ir veikta pareizi un tikušas izmantotas atbilstošas detaļas. Nepareizi uzstādīts asmens var atdalīties no izstrādājuma un radīt nopietnas traumas lietotājam vai citiem tuvumā esošiem cilvēkiem.
- Valkājiet aizsargcimdus, kad veicat darbības ar asmeni, kā arī tehniskās apkopes laikā.
- Izmantojiet galvas aizsarglīdzekļus, kad darbināt ar asmeni aprīkotu izstrādājumu.
- Asmens var radīt traumas, turpinot griezties pēc dzinēja apturēšanas vai drosēles mēlītes atlaišanas. Pirms apkopes veikšanas pārlicinieties, vai asmens ir pilnībā apstājisies.
- Apturiet dzinēju, pirms sākat rīkoties ar griešanas ierīci. Pārlicinieties, vai griešanas ierīce ir pilnībā apstājusies. Atvienojiet vadu no aizdedzes sveces.
- Asmens zobiem ir jābūt pareizi uzasinātiem!



- Neizmantojiet bojātu griešanas ierīci.
- Ja plānojat transportēt vai uzglabāt izstrādājumu, piestipriniet asmenim transportēšanas aizsargu.

## Zāles griežēju un zāles asmeņu asināšana

- Uzasiniet visas zāles griežēju un asmeņu malas vienādi, lai nodrošinātu līdzsvaru. Izmantojiet viengabala plakano vīli.

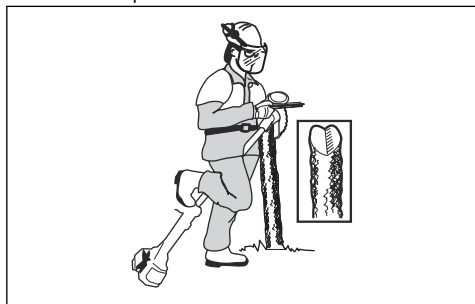


## Zāģa ķēdes asināšana

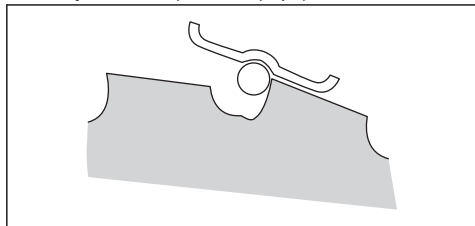


**BRĪDINĀJUMS:** Apstādiniet dzinēju.  
Lietojiet aizsargcimdus.

- Lai pareizi uzasinātu asmeni, skatiet asmenim pievienotās instrukcijas.
- Kad asināt, pārļiecinieties, ka izstrādājumam un asmenim ir pietiekams atbalsts.

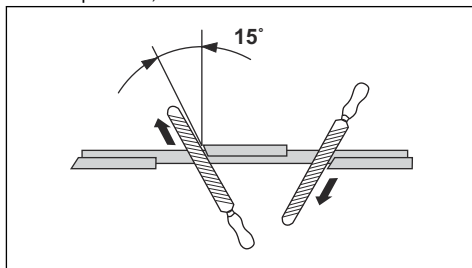


- Lietojiet 5,5 mm (7/32 collu) apaļo vīli ar vīles rokturi.



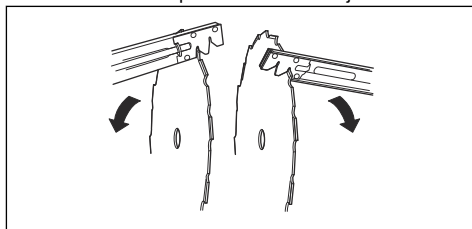
- Turiet vīli 15° leņķī.

- Asiniet vienu zāģa asmens zobu pa labi un nākamo zobu pa kreisi, skatiet attēlu.



**Piezīme:** Asiniet zobu malas ar plakano vīli, ja asmens ir stipri nodilis. Turpiniet asināt ar apaļo vīli.

- Lai nodrošinātu asmens līdzsvaru, visas malas uzasiniet vienādi.
- Noregulējiet asmens zobu izvērsumu uz 1 mm (0,04 collām), izmantojot ieteikto iestatīšanas instrumentu. Skatiet asmenim pievienotās instrukcijas.

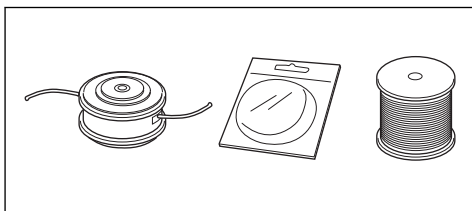


**BRĪDINĀJUMS:** Vienmēr atbrīvojieties no asmens, kas ir bojāts. Nemēģiniet iztaisnot saliektu vai savērtu asmeni un izmantot to vēlreiz.

## Trimera galva



**BRĪDINĀJUMS:** Obligāti pārļiecinieties, vai trimera aukla ir stingri un vienmērīgi uzlīta uz spoles, lai novērstu kaitīgas vibrācijas.



- Lietojiet tikai ieteiktās trimera galvas un trimera auklas.
- Lietojiet tikai ieteiktās griešanas ierīces.
- Mazāka izmēra iekārtām ir nepieciešamas mazas trimera galvas un otrādi.

- Svarīgs ir auklas garums. Garākai auklai ir nepieciešama lielāka motora jauda nekā īsai tāda paša diametra auklai.
- Pārļiecinieties, vai uz trimera aizsarga piestiprinātais griezējs nav bojāts. Tas sagriež auklu pareizajā garumā.
- Pirms lietošanas uz dažām dienām iemērciet trimera auklu ūdenī, lai paildzinātu tās darbūžu.
- Pirms uzpildes lēni atveriet degvielas tvertnes vāciņu un uzmanīgi izlaidiet spiedienu.
- Neveiciet dzinēja degvielas uzpildi telpās. Nepietiekama gaisa plūsmā var izraisīt savainojumus vai nāvi, nosmokot vai saindējoties ar oglekļa monoksīdu (tvana gāzi).
- Rūpīgi pievelciat degvielas tvertnes vāciņu, lai neizraisītu aizdegšanos.

## Drošības norādījumi, rīkojoties ar degvielu

- Nelietojiet izstrādājumu, ja uz tā ir degviela vai dzinēja eļļa. Notīriet nevēlamo degvielu/eļļu un ļaujiet izstrādājumam nožūt. Notīriet no izstrādājuma nevēlamo degvielu.
- Ja degviela ir nokļuvusi uz apģērba, nekavējoties pārgērbieties.
- Nelaujiet degvielai nonākt uz ķermeņa, jo tā var izraisīt savainojumus. Ja degviela ir nonākusi uz ķermeņa, izmantojiet ziepes un ūdeni, lai to nomazgātu.
- Neiedarbiniet dzinēju, ja uz izstrādājuma vai jūsu ķermeņa ir izlijusi eļļa vai degviela.
- Nelietojiet izstrādājumu, ja dzinējā ir sūce. Regulāri pārbaudiet, vai dzinējam nav radusies sūce.
- Rīkojoties ar degvielu, esiet uzmanīgs. Degviela ir viegli uzliesmojoša, tās tvaiki ir sprādzienbīstami, un var izraisīt savainojumus vai nāvi.
- Neieelpojiet degvielas tvaikus, jo tie var izraisīt savainojumus. Pārļiecinieties, vai gaisa plūsmā ir pietiekama.
- Nesmēķējiet degvielas vai dzinēja tuvumā.
- Nenovietojiet siltus objektus degvielas vai dzinēja tuvumā.
- Nepievienojiet degvielu dzinēja darbības laikā.
- Pirms degvielas uzpildes pārļiecinieties, vai dzinējs ir atdzisis.
- Pirms degvielas tvertne pārāk daudz degvielas.
- Pārļiecinieties, vai, pārvietojot izstrādājumu vai degvielas tvertni, nerodas sūce.
- Nenovietojiet izstrādājumu vai degvielas tvertni vietā, kur ir atklāta uguns, dzirksteles vai signāllampiņas. Pārļiecinieties, vai uzglabāšanas vietā nav atklāta uguns.
- Degvielas pārvietošanai un uzglabāšanai izmantojiet tikai tam paredzētas tvertnes.
- Pirms ilgstošas uzglabāšanas iztukšojiet degvielas tvertni. Ievērojiet vietējos noteikumus par atbrīvošanos no degvielas.
- Pirms ilgstošas uzglabāšanas noīriet izstrādājumu.
- Pirms izstrādājuma novietošanas glabāšanā izņemiet aizdedzes sveci, lai nodrošinātu, ka dzinējs nejauši neieslēdzas.

## Norādījumi par drošu apkopi

- Ja nevarat pielāgot brīvgaitas apgriezīnu skaitu, lai apturētu griešanas ierīces darbību, sazinieties ar apkopes centru. Nelietojiet produktu, kamēr tas nav precīzi noregulēts vai saremontēts.

---

## Montāža

---



**BRĪDINĀJUMS:** Pirms izstrādājuma montāžas iepazīstieties ar drošības norādījumiem.

### Ievads



**BRĪDINĀJUMS:** Pirms montējat izstrādājumu, izlasiet nodaļu par drošību un pārļiecinieties, vai saprotat to.

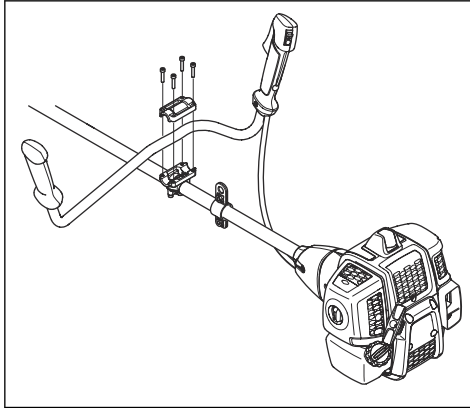


**BRĪDINĀJUMS:** Noņemiet aizdedzes sveces vadu no aizdedzes sveces, pirms montējat izstrādājumu.



## Roktura stieņa uzstādīšana

1. Piestipriniet stūri montāžas kronšteinam, kā parādīts attēlā.



## Asmeņu un trimera galvu uzstādīšana



**BRĪDINĀJUMS:** Izmantojiet tikai apstiprinātu asmeņu aizsargu. Skatiet šeit: *Tehniskie dati lpp. 453*. Bojāts aizsargs var radīt traumu.

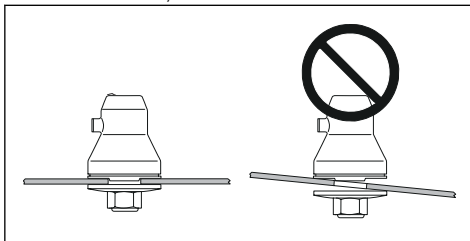


**BRĪDINĀJUMS:** Lietojot trimeri ar zāles asmeni, vispirms uzstādi pareizo roktura stieni, asmens aizsargu un uzlieciet uzskabi.



**BRĪDINĀJUMS:** Ja asmeņi nav uzstādīti pareizi, var tikt gūta trauma.

1. Pārlicinieties, vai piedziņas diska/balsta atloka paceltā daļa pareizi saķeras ar asmens centrālo atveri.
2. Uzstādi asmeņus.



## Asmens aizsarga, zāles asmens un zāles griezēja uzstādīšana

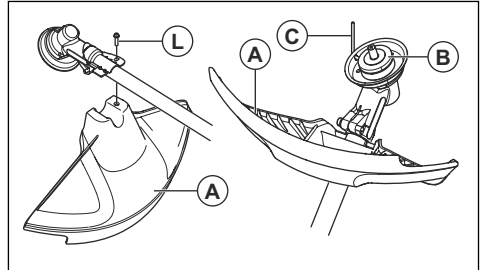


**IEVĒROJIET:** Izmantojiet asmeņiem tikai apstiprinātu aizsargu. Skatiet lietotāja rokasgrāmatu.

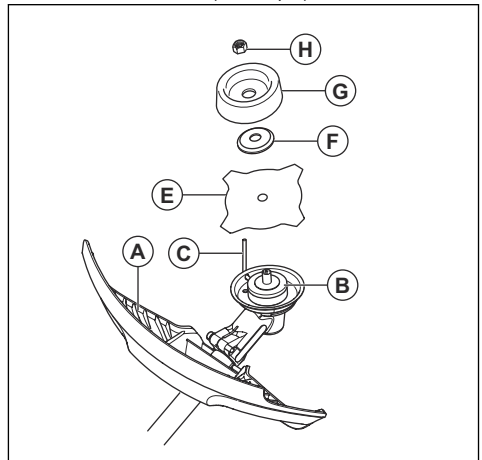


**IEVĒROJIET:** Pārlicinieties, ka aizsarga pagarinājums ir noņemts.

1. Piestipriniet asmens aizsargu/griešanas ierīces aizsargu (A) vārpstai un pievelciet ar skrūvi (L).



2. Uz dzenamās vārpstas uzstādiat piedziņas disku (B).
3. Griežiet dzenamo vārpstu, līdz viena no piedziņas diska atverēm salāgojas ar atbilstošu atveri zobratu korpusā.
4. Lai fiksētu vārpstu, ievietojiet atverē fiksācijas tapu (C).
5. Novietojiet zāles asmeni (E), balsta atloku (F) un balsta uzliku (G) uz piedziņas vārpstas.
6. Uzskrūvējiet uzgriezni (H). Turiet uzgriežnatslēgas rokturi iespējami tuvu asmens aizsargam. Lai pievilktu uzgriezni, uzgriežnatslēga jāgriež rotācijai pretējā virzienā. Uzgrieznis ir jāpievelk ar griezes momentu 35–50 Nm (3,5–5 kpm).

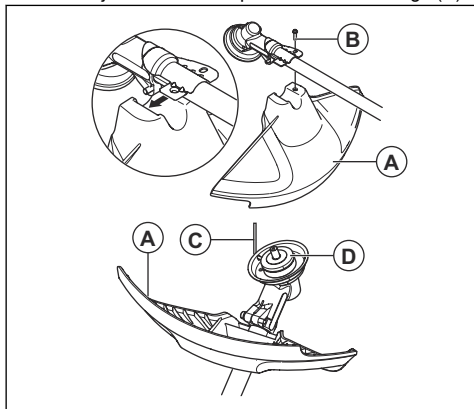


**Piezīme:** Kreisās puses vītne.

## Trimmera aizsarga un trimmera galvas piestiprināšana

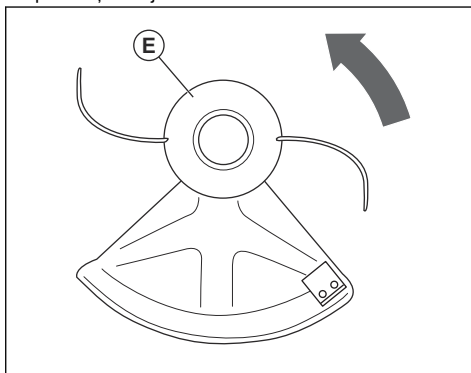
**Piezīme:** Pārlicinieties, vai izmantojat trimmera galvai piemērotu aizsargu.

1. Trimmera galvai piestipriniet pareizu griešanas ierīces aizsargu/kombinēto aizsargu (A).
2. Uzstādiēt griešanas ierīces aizsargu/kombinēto aizsargu uz vārpstas un nostipriniet ar skrūvi (B). Izmantojiet fiksēšanas tapu vai sešstūra atslēgu (C).



3. Ielieciet fiksēšanas tapu vai sešstūra atslēgu (C) skrūves galviņas gropē un nostipriniet.
4. Piestipriniet dzenošo disku (D) pie piedziņas vārpstas.
5. Grieziet piedziņas vārpstu, līdz viens no dzenošā diska caurumiem tiek novietots virs atbilstošā cauruma pārnesumkārbas korpusā.
6. Lai fiksētu vārpstu, ievietojiet atverē fiksācijas tapu vai sešstūra atslēgu (C).

7. Montējiet trimmera galvu / plastmasas asmeņus (E). Grieziet trimmera galvu/plastmasas asmeņus pretēji pulksteņrādītāju kustības virzienam.



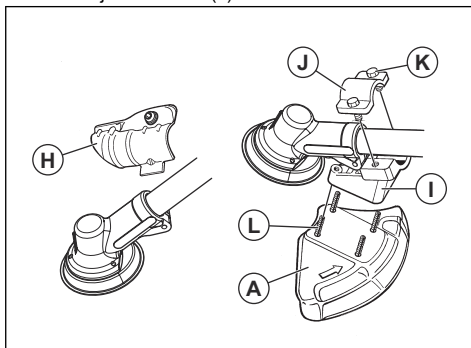
8. Demontāžu veiciet apgriezētā secībā.

## Asmens aizsarga un zāģa asmens uzstādīšana



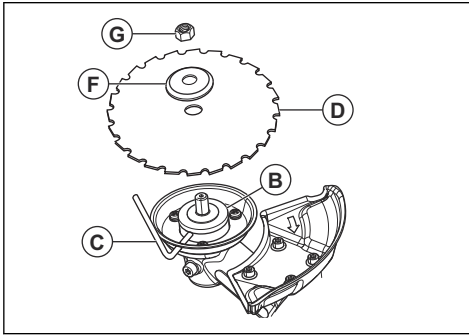
**IEVĒROJIET:** Izmantojiet asmeņiem tikai apstiprinātu aizsargu. Skatiet: *Tehniskie dati lpp. 453.*

1. Noņemiet montāžas plāksni (H).
2. Piemontējiet adapteru (I) un virsliku (J) ar divām skrūvēm (K).
3. Piestipriniet asmens aizsargu (A) adapteram, izmantojot 4 skrūves (L).



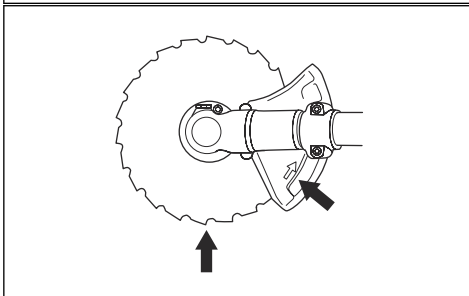
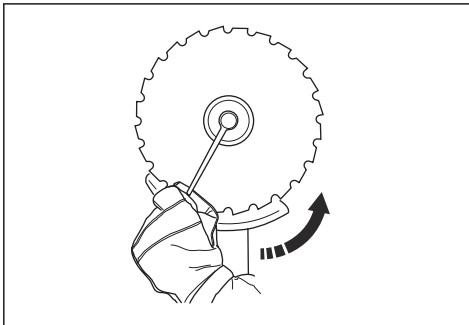
4. Uz dzenamās vārpstas uzstādiēt piedziņas disku (B).
5. Grieziet asmens vārpstu, kamēr viens no dzenošā diska atverēm sakrīt ar attiecīgo atveri reduktora karterī.
6. Lai fiksētu vārpstu, ievietojiet atverē fiksācijas tapu (C).
7. Uzlieciet asmeni (D) un balsta atloku (F) uz piedziņas vārpstas.

8. Uzstādiēt uzgriezni (G). Pievelciet uzgriezni ar 35–50 Nm (3,5–5 kpm) lielu griezes momentu. Izmantojiet instrumentu komplekta uzgriežņu atslēgu. Satveriet uzgriežņu atslēgas vārpstu iespējami tuvu asmeņam aizsargam. Lai pievilktu uzgriezni, grieziet uzgriežņa atslēgu pretēji griešanās virzienam.



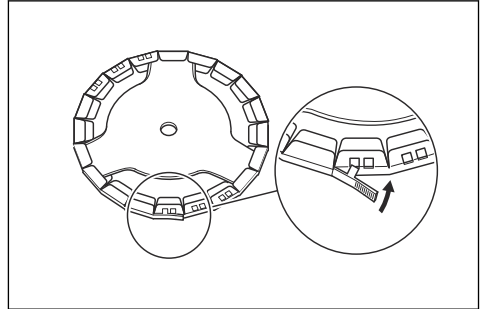
**Piezīme:** Kreisās puses vītne.

9. Piegriežot un atsvabinot zāģasmens uzgriezni, pastāv iespēja ievainot rokas ar zāģasmens zobiem. Tādēļ vienmēr nodrošiniet, lai jūsu roku aizsargātu asmeņam aizsargs. Vienmēr izmantojiet ārējo galatslēgu ar pietiekami garu kātu. Attēlā ir redzams, kur jātur uzgriežņu atslēga, atgriežot un piegriežot uzgriezni.



## Transportēšanas aizsarga piestiprināšana

1. Piestipriniet transportēšanas aizsargu asmeņim, kā parādīts attēlā.



## Uzkabes regulēšana

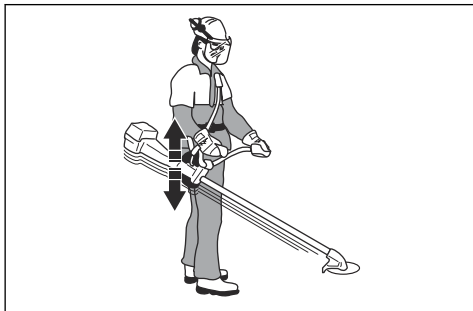


**BRĪDINĀJUMS:** Izstrādājumam vienmēr jābūt pareizi pievienotam uzkabei. Pretējā gadījumā nevarēsīt droši vadīt izstrādājumu, un tā rezultātā var tikt radīta trauma sev un citiem. Nelietojiet bojātu uzkabi. Nelietojiet stiprinājuma siksnu ar bojātu ātrās atvienošanas mehānismu.

1. Uzlieciet uzkabi.
2. Pievienojiet izstrādājumu uzkabei.
3. Noregulējiet uzkabi labākajā darba stāvoklī.
4. Noregulējiet sānu siksnas tā, lai izstrādājuma svars balstītos vienādi uz abiem pleciem.



5. Regulējiet uzkabī, līdz griešanas ierīce ir paralēli zemei.



6. Ļaujiet, lai griešanas ierīce viegli atspiežas pret zemi. Noregulējiet uzkabes skavu, lai pareizi līdzsvarotu izstrādājumu.

**Piezīme:** Ja izmantojat zāles asmeni, tam ir jābūt līdzsvarotam apmēram 10 cm/4 collu augstumā virs zemes.

## Lietošana



**BRĪDINĀJUMS:** Pirms izstrādājuma lietošanas izlasiet un izprotiet drošības norādījumus.

### Ievads



**BRĪDINĀJUMS:** Pirms sākat darbu ar produktu, izlasiet nodaļu par drošību un pārliecinieties, vai saprotat to.

### Degviela

Šim izstrādājumam ir divtaktu dzinējs.



**IEVĒROJIET:** Nepareiza veida degviela var sabojāt dzinēju. Izmantojiet benzīna un divtaktu dzinēja eļļas maisījumu.

### Iepriekš sajaukta degviela

- Lai uzlabotu veiktspēju un pagarinātu motora darbību, izmantojiet McCulloch iepriekš sajauktu alkilātu degvielu. Šī degviela satur mazāk ķīmisku vielu, salīdzinot ar parasto degvielu, tādējādi tiek samazināts kaitīgo izplūdes gāzu apjoms. Izmantojot šo degvielu, atliekvielu līmenis pēc sadegšanas ir zemāks, kas saglabā tīrus motora komponentus.

### Degvielas sajaukšana

#### Benzīns

- Izmantojiet labas kvalitātes bezsvina benzīnu ar maksimālo etanola saturu 10%.



**IEVĒROJIET:** Neizmantojiet benzīnu, kura oktānskaitlis ir mazāks nekā 90 RON/87 AKI. Degviela ar zemāku oktānskaitli var radīt motora

klaudzēšanu, kas savukārt rada motora bojājumus.

#### Divtaktu eļļa

- Lai uzlabotu rezultātus un veiktspēju, izmantojiet McCulloch divtaktu dzinēja eļļu.
- Ja McCulloch divtaktu dzinēja eļļa nav pieejama, izmantojiet kvalitatīvu divtaktu dzinēju eļļu, kas paredzēta motoriem ar gaisa dzesēšanu. Lai izvēlēto pareizu eļļu, sazinieties ar vietējo apkopes sniedzēju.



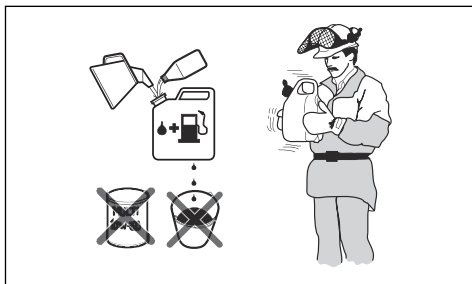
**IEVĒROJIET:** Nelietojiet divtaktu dzinēja eļļu, kas paredzēta ar ūdeni dzesējamiem piekarināmiem dzinējiem; šādu eļļu dēvē arī par piekarināmu dzinēju eļļu. Nelietojiet četrtaktu dzinējiem paredzētu eļļu.

#### Benzīna un divtaktu dzinēja eļļas sagatavošana

Benzīns, litri	Divtaktu dzinēja eļļa, litri
	<b>2% (50:1)</b>
5	0,10
10	0,20
15	0,30
20	0,40
ASV galons	ASV šķidruma unce
1	2½
2 1/2	6 ½
5	12½



**IEVĒROJIET:** Samaisot mazu degvielas daudzumu, nelielas kļūdas var būtiski ietekmēt maisījuma attiecību. Rūpīgi nomēriet eļļas daudzumu un pārbaudiet, vai tiek iegūts pareizs maisījums.



1. Iepildiet pusi benzīna daudzuma tīrā degvielas tvertnē.
2. Pievienojiet visu daudzumu eļļas.
3. Sakratiet degvielas maisījumu.
4. Pievienojiet tvertnē pārējo benzīna daudzumu.
5. Rūpīgi sakratiet degvielas maisījumu.



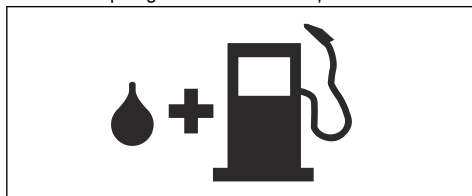
**IEVĒROJIET:** Vienā reizē sajauciet degvielu, lai tās pietiek tikai 1 mēnesim.

### Degvielas tvertnes uzpilde



**BRĪDINĀJUMS:** Drošības nolūkā ievērojiet tālāk norādīto procedūru.

1. Apturiet dzinēja darbību un ļaujiet tam atdzist.
2. Sātīriet ap degvielas tvertnes vāciņu.



3. Sakratiet tvertni un pārbaudiet, vai degviela ir pilnībā sajaucusies ar eļļu.
4. Degvielas tvertnes vāciņu atveriet lēnām, lai samazinātu spiedienu.
5. Uzpildiet degvielas tvertni.



**IEVĒROJIET:** Pārļiecinieties, ka degvielas tvertnē nav pārāk daudz degvielas. Uzkarstot degviela izplešas.

6. Rūpīgi pievelciet degvielas tvertnes vāciņu.

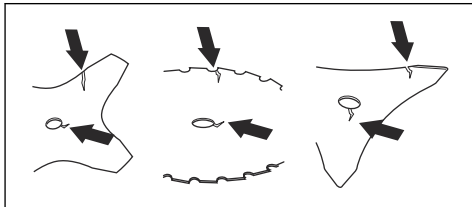
7. Notīriet degvielu, kas izlījus uz izstrādājuma un ap to.
8. Pirms izstrādājuma iedarbināšanas pārvietojiet to vismaz 3 m/10 pēdu attālumā no degvielas uzpildīšanas vietas un degvielas avota.

**Piezīme:** Informāciju par to, kur atrodas konkrētā izstrādājuma degvielas tvertne, sk. *Izstrādājuma pārskats lpp. 431.*

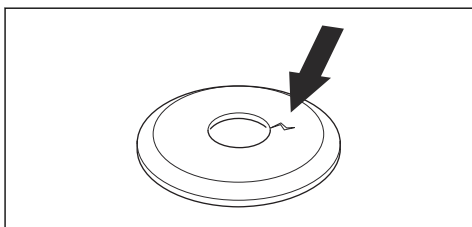
### Ieslēgšana un izslēgšana

#### Pirms izstrādājuma darbināšanas

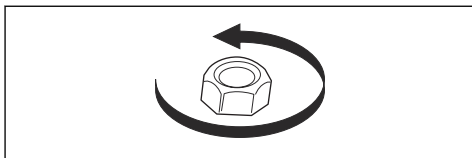
- Pārbaudiet darba zonu, lai pārļiecinātos, ka zināt virsmas veidu, zemes stipumu un to, vai ir šķēršļi, piemēram, akmeņi, zari un grāvji.
- Veiciet rūpīgu izstrādājuma pārbaudi.
- Veiciet drošības pārbaudes, apkopi un remontu, kas ir aprakstīts šajā rokasgrāmatā.
- Pārļiecinieties, ka visi pārsegi, aizsargi, rokturi un griešanas aprīkojums ir pareizi piestiprināti un nav bojāti.
- Pārļiecinieties, ka zāģa asmens vai zāles asmens zobu apakšpusē vai pie asmens centrālās atveres nav plaisu. Ja asmens ir bojāts, nomainiet to.



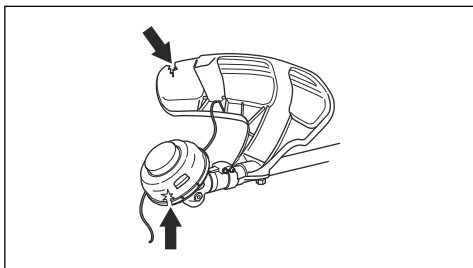
- Pārbaudiet, vai balsta atlokā nav plaisu. Ja balsta atloks ir bojāts, nomainiet to.



- Pārļiecinieties, ka pretuzgriezni nevar noskrūvēt ar roku. Ja varat to noskrūvēt ar roku, tas pietiekami nefiksē griešanas ierīci, un jums tas ir jānomaina.

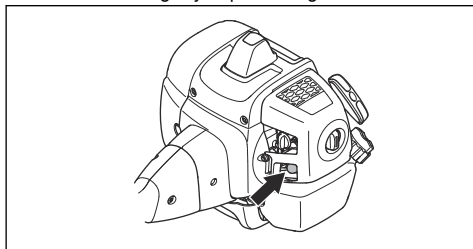


- Pārbaudiet, vai asmens aizsargs nav bojāts vai ieplaisājis. Nomainiet asmens aizsargu, ja tas ir saņēmis sitienu vai tajā ir plaisas.
- Pārbaudiet, vai trimmera galva un griešanas ierīces aizsargs nav bojāti vai ieplaisājuši. Nomainiet rimmera galvu un griešanas ierīces aizsargu, ja tie ir saņēmuši sitienu vai tajos ir plaisas.

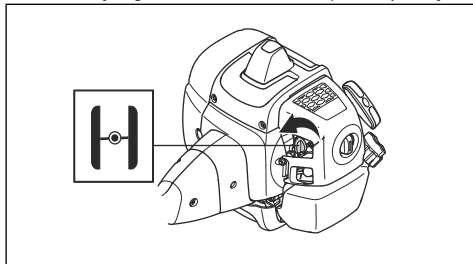


### Dzinēja iedarbināšana

1. Novietojiet izstrādājumu uz līdzenas un stabilas virsmas. Turiet griešanas ierīci virs zemes.
2. Atkārtoti spiediet gaisa izspiešanas pūslīti, līdz degviela sāk piepildīt pūslīti. Atgaisošanas sūkņa balons nav obligāti jāuzpilda līdz galam.

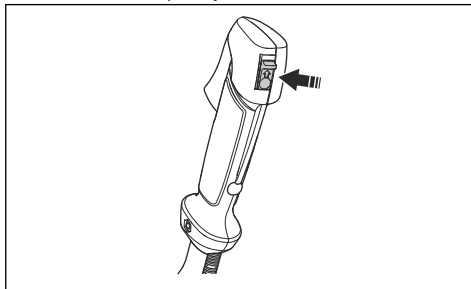


3. Pārvietojiet gaisa vārsta sviru droseļvārsta pozīcijā.

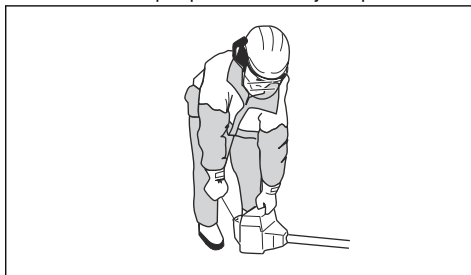


**BRĪDINĀJUMS:** Iedarbinot dzinēju ar droseļvārstu, griešanas ierīce tūlīt sāk griezties.

4. Pārslēdziet ieslēgšanas/apturēšanas slēdzi iedarbināšanas pozīcijā.



5. Ar kreiso roku piespiediet izstrādājumu pie zemes.



6. Turiet startera auklas rokturi ar labo roku.
7. Ar labo roku lēnām velciet startera auklu, līdz sajūtat nelielu pretestību.



**BRĪDINĀJUMS:** Netiniet startera auklu ap roku.

8. Ātri un spēcīgi velciet auklu. Atkārtoti ātri un spēcīgi raujiet startera rokturi, līdz dzinējs iedarbojas.

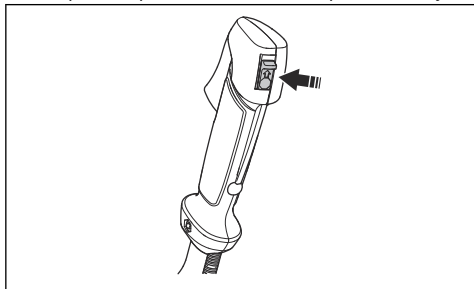


**IEVĒROJIET:** Nevelciet startera auklu līdz galam un neatlaidiet startera rokturi, kad startera aukla ir pilnībā izvilka. Pretējā gadījumā produktu var sabojāt.

9. Kad dzinējs sāk darboties, atiestatiet droseļvārstu.
10. Pēc dzinēja iedarbināšanas lietojiet droseļpakāpeniski.
11. Pārliecinieties, ka motors darbojas nevainojami un ļaujiet motoram pirms darba 1-2 minūtes uzstilt.

## Lai apturētu ierīci

- Nospiediet apturēšanas slēdzi, lai apturētu dzinēju.



## Asmens atsitieni

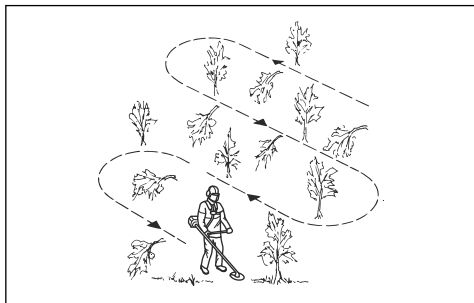
- Asmens grūdiens ir pēkšņa izstrādājuma kustība uz sāniem, uz priekšu vai atpakaļ. Asmens grūdiens rodas tad, ja zāles asmens trāpa objektam, ko nevar pārgriezt. Vietās, kur nav viegli redzēt griežamo materiālu, asmens grūdienu iespējamība palielinās.
- Kad rodas asmens grūdiens, pastāv draudi, ka izstrādājums vai lietotājs tiks izsists no pareizā darba stāvokļa. Asmens, kas kustas, var trāpīt tuvumā esošiem cilvēkiem, radot traumas.
- Ja asmens ir saliecies, saplaisājies vai bojāts, izmetiet to.
- Lietojiet asu asmeni. Ja asmens nav ass, pastāv lielāka asmens grūdienu iespēja.

## Vispārīgas darba instrukcijas



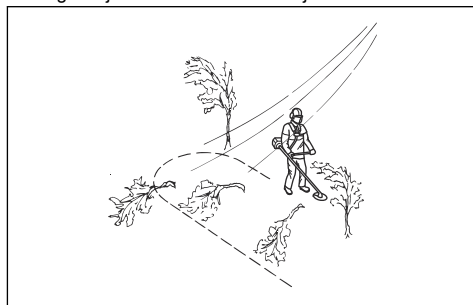
**BRĪDINĀJUMS:** Esiet piesardzīgs, zāgējot koku, kas ir noliekts ar spēku. Tas var atgriezties savā normālajā stāvoklī pirms vai pēc griezuma un trāpīt jums vai izstrādājumam, radot traumas.

- Notīriet atklātu vietu vienā darba zonas malā un sāciet darbu no turienes.
- Pārvietojieties vienmērīgi uz priekšu un atpakaļ pa darba zonu.



- Virziet izstrādājumu pilnībā pa kreisi un pa labi, lai katrā gājienā notīrītu 4–5 m platu teritoriju.

- Tīriet 75 m garumā, pirms pagriežaties un ejat atpakaļ. Turpinot strādāt, pārvietojiet sev līdzī arī degvielu.
- Pārvietojieties virzienā, kur jums nav jāiet pāri grāvjiem un šķēršļiem vairāk, nekā nepieciešams.
- Pārvietojieties virzienā, kādā vēja ietekmē noplautā veģetācija krīt uz notīrītās teritorijas.



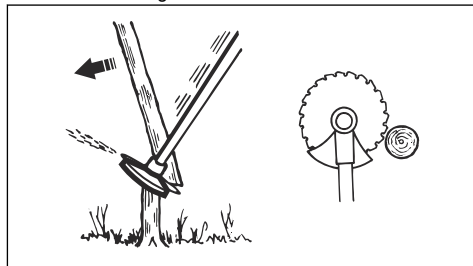
- Uz nogāzēm virzieties gareniski, nevis uz augšu un uz leju.

## Meža tīrīšana, izmantojot zāģa asmeni

### Koka gāšana pa kreisi

Lai koks kristu pa kreisi, stumiet koka stumbra apakšējo daļu pa labi.

1. Pilnībā izmantojiet droseli.
2. Novietojiet zāģa asmeni pret koku, kā parādīts attēlā.
3. Nolieciet zāģa asmeni un stumiet to ar spēku diagonāli uz leju pa labi. Vienlaikus stumiet koku ar asmens aizsargu.

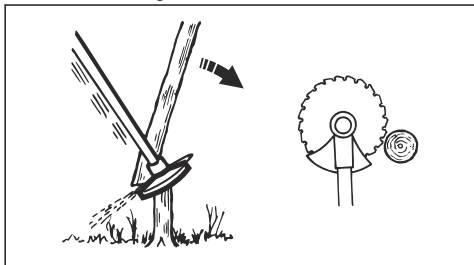


### Koka gāšana pa labi

Lai koks kristu pa labi, stumiet koka stumbra apakšējo daļu pa kreisi.

1. Pilnībā izmantojiet droseli.
2. Novietojiet zāģa asmeni pret koku, kā parādīts attēlā.

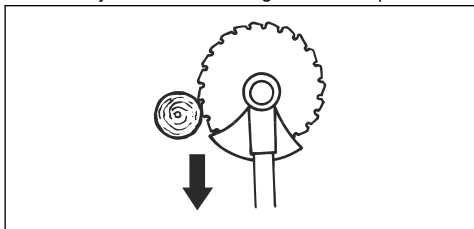
3. Nolieciet zāga asmeni un stumiet to ar spēku diagonāli uz augšu pa labi. Vienlaikus stumiet koku ar asmens aizsargu.



### Koka gāšana uz priekšu

Lai nogāztu koku uz priekšu, stumiet koka stumbra apakšējo daļu uz aizmuguri.

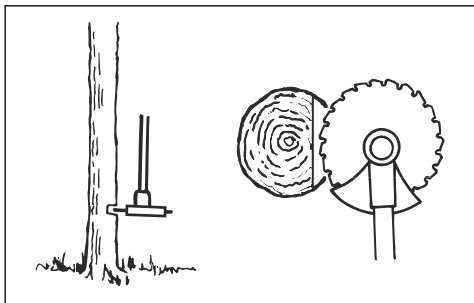
1. Pilnībā izmantojiet droseli.
2. Novietojiet zāga asmeni pret koku, kā parādīts attēlā.
3. Ar strauju kustību velciet zāga asmeni uz priekšu.



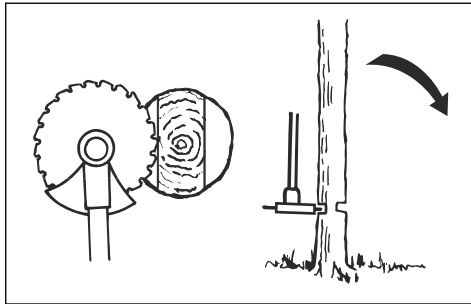
### Lielu koku gāšana

Lieli koki ir jāzāgē no 2 pusēm.

1. Pārbaudiet, kurā virzienā koks kritīs.
2. Pilnībā izmantojiet droseli.
3. Pirmo griezienu veiciet tajā koka pusē, uz kuru tas kritīs.



4. Zāgējiet cauri kokam no otras puses.



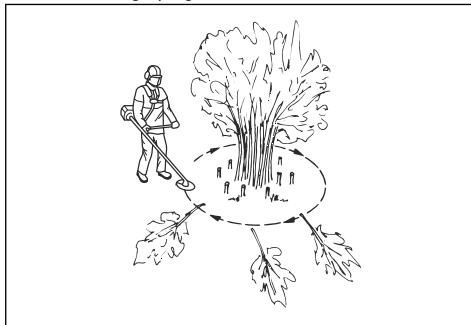
**IEVĒROJIET:** Ja zāga asmens iestrēgst, nevelciet izstrādājumu ar pēkšņu kustību. Tas var sabojāt zāga asmeni, konisko zobratu, vārpstu un rokturi. Atlaidiet rokturus, satveriet vārpstu ar abām rokām un uzmanīgi velciet izstrādājumu.

**Piezīme:** Izmantojiet lielāku zāgēšanas spiedienu, lai nogāztu mazus kokus. Izmantojiet mazāku zāgēšanas spiedienu, lai nogāztu lielus kokus.

### Krūmu griešana, izmantojot zāga asmeni

Lai koks kristu pa kreisi, stumiet koka stumbra apakšējo daļu pa labi.

- Nogrieziet tievos kokus un krūmus.
- Virziet izstrādājumu no vienas puses uz otru.
- Ar vienu kustību grieziet daudzus kokus.
- Tievu koku grupu griešana



- a) Nogrieziet ārējos kokus lielākā augstumā.
- b) Nogrieziet ārējos kokus pareizajā augstumā.
- c) Grieziet no vidus. Ja nevarat piekļūt vidus, grieziet ārējos kokus lielākā augstumā un ļaujiet tiem nokrist. Tas samazina risku, ka zāga asmens var iestrēgt.

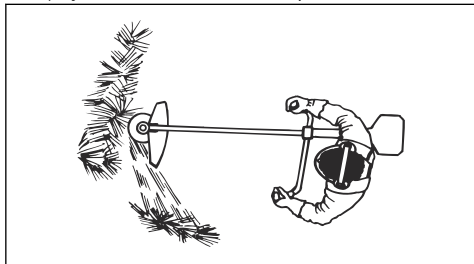


## Zāles griešana, izmantojot zāles asmeni



**IEVĒROJIET:** Neizmantojiet zāles asmeņus un zāles nažus koka griešanai. Zāles asmeņus un zāles nažus izmantojiet tikai garai vai biežai zālei.

- Virziet izstrādājumu no vienas puses uz otru.
- Pļaujot sāciet kustību no labās puses un kreiso. Virziet izstrādājumu pa labi, pirms pļaujāt atkal.
- Pļaujiet ar zāles asmens kreiso pusi.

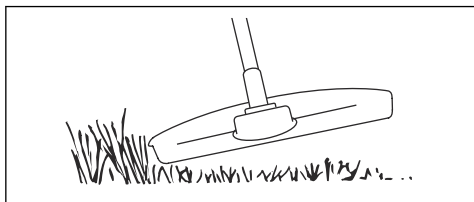


- Nolieciet zāles asmeni leņķī pa kreisi, lai zāle kristu rindā. Tas atvieglo zāles savākšanu.
- Ieņemiet stabilu stāvokli, turot kājas atstātus.
- Virzieties uz priekšu pēc katras kustības pa labi un pārliecinieties, ka atkal stāvat stabili, pirms sākat pļaut no jauna.
- Turiet balsta cilindru viegli atspiestu pret zemi, lai nodrošinātu, ka zāles asmens neatsitas pret zemi.
- Ievērojiet tālāk minētos norādījumus, lai samazinātu risku, ka materiāls aptinas ap zāles asmeni.
  - a) Pilnībā izmantojiet droseli.
  - b) Nevirziet zāles asmeni cauri nopļautajam materiālam, kad virzāt izstrādājumu no kreisās puses uz labo.
- Pirms savācat nopļauto materiālu, apturiet dzinēju un noņemiet izstrādājumu no uzkabes. Novietojiet izstrādājumu uz zemes.

## Zāles griešana, izmantojot trimera galvu

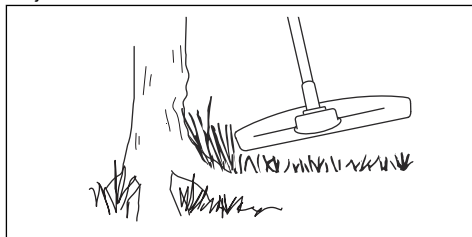
### Zāles apgriešana

1. Turiet trimera galvu slīpi tieši virs zemes. Nespiediet trimera auklu tieši zālē.



2. Saīsiniet trimera auklu par 10–12 cm/4–4,75 collām.

3. Samaziniet dzinēja apgriezumu skaitu, lai samazinātu augiem nodarīta kaitējuma risku.
4. Veicot griešanu objektu tuvumā, izmantojiet 80% jaudas.



### Zāles iztīrīšana

1. Turiet trimera galvu virs zemes līmeņa.
2. Sasveriet trimera galvu.
3. Apgrieziet ar trimera auklas galu apkārt darba zonā esošajiem objektiem.

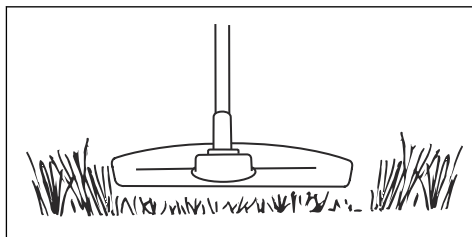


**IEVĒROJIET:** Apgrieziet zāli. Citi objekti, kurus aizskar trimera aukla, palielina trimera auklas nodilumu.

4. Izmantojiet 80% ātrumu, apgriežot un iztīrot augu valsti. Tādējādi tiek samazināts trimera galvas un trimera auklas nodilums.

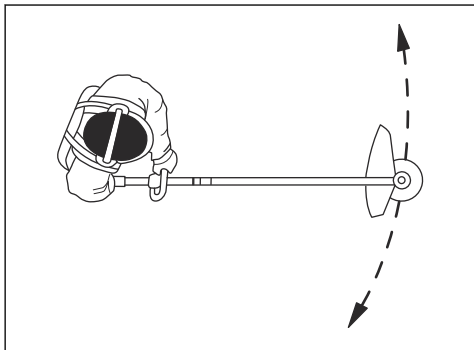
### Zāles griešana

1. Veicot zāles griešanu, trimera auklai jābūt paralēli zemei.



2. Nespiediet trimera galvu pret zemi. Pretējā gadījumā izstrādājums var tikt bojāts.

3. Griežot zāli, virziet izstrādājumu horizontālā virzienā no vienas puses uz otru. Izmantojiet maksimālo ātrumu.



## Zāles aizslaucīšana

Gaisa plūsmu no rotējošās trimmera auklas var izmantot, lai aizvāktu zāli no teritorijas.

1. Turiet trimmera galvu un trimmera auklu paralēli zemei un virs zemes.
2. Pilnībā izmantojiet droseli.
3. Virziet trimmera galvu no vienas puses uz otru un aizslaukiet zāli.



**BRĪDINĀJUMS:** Notīriet trimmera galvas pārsegu katru reizi, kad piestiprināt jaunu trimmera auklu, lai novērstu līdzsvara trūkumu un vibrāciju rokturos. Pārbaudiet arī pārējās trimmera galvas daļas un vajadzības gadījumā tās notīriet.

## Apkope

### Ievads



**BRĪDINĀJUMS:** Pirms ķēdes zāga apkopes veikšanas izlasiet un izprotiet sadaļu par drošības pasākumiem.

### Apkopes grafiks

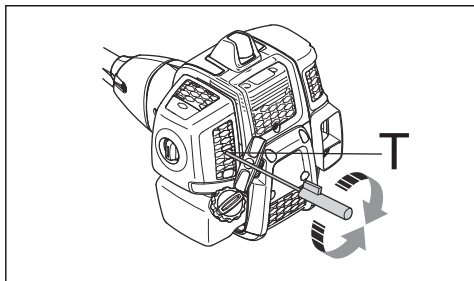
Apkope	Katru dienu	Reizi nedēļā	Reizi mēnesī
Notīriet ārējo virsmu.	X		
Pārbaudiet, vai uzkabē nav bojājumu.	X		
Pārbaudiet droseles mēlītes bloķētāju un droseles mēlīti. Skatiet: <i>Droseles mēlītes bloķētāja pārbaude lpp. 435.</i>	X		
Pārbaudiet, vai rokturos un stūrē nav bojājumu un vai tie ir piestiprināti pareizi.	X		
Pārbaudiet apturēšanas slēdzi. Skatiet: <i>Apturēšanas slēdža pārbaude lpp. 436.</i>	X		
Pārbaudiet, vai griešanas ierīce negriežas, dzinējam darbojoties tukšgaitā.	X		
Iztīriet gaisa filtru. Bojājuma gadījumā nomainiet.	X		
Pārbaudiet, vai griešanas ierīces aizsargs nav bojāts vai ierīcis.	X		
Gādājiet, lai zāga asmens vai zāles asmens ir piestiprināts pareizi. Gādājiet, lai zāga asmens vai zāles asmens ir ass un nav bojāts.	X		
Pārbaudiet, vai trimera galvā nav bojājumu vai plaisu. Bojājuma gadījumā nomainiet.	X		
Pievelciet kontruzgriezni griešanas ierīcēm ar kontruzgriezni.	X		
Pārbaudiet, vai nav bojājumu transportēšanas aizsargā un pārliecinieties, vai to var uzstādīt pareizi.	X		
Pievelciet uzgriežņus un skrūves.	X		

Apkope	Katru dienu	Reizi nedēļā	Reizi mēnesī
Pārbaudiet, vai dzinējā, degvielas tvertnē un degvielas caurulēs nav noplūdes.	X		
Pārbaudiet, vai nav bojāts starteris un startera aukla.		X	
Pārbaudiet aizdedzes sveci. Skatiet: <i>Aizdedzes sveces pārbaude lpp. 453.</i> Ja nepieciešams, nomainiet aizdedzes sveci. Pārbaudiet, vai aizdedzes svece ir aprīkota ar slāpētāju.		X	
Notīriet karburatora ārējo virsmu un ap to esošo laukumu.		X	
Pārbaudiet, vai koniskais zobrats ir pareizi piepildīts ar smērvielu. Skatiet: <i>Koniskais zobrats lpp. 452.</i>		X	
Pārbaudiet, vai degvielas filtrs nav piesārņots un vai degvielas šļūtenē nav ieplaisājumu vai citu defektu. Ja nepieciešams, nomainiet.			X
Pārbaudiet visus kabelus un savienojumus.			X
Nomainiet aizdedzes sveci. Pārbaudiet, vai aizdedzes svece ir aprīkota ar slāpētāju.			X

## Tukšgaitas apgriezienu skaita regulēšana

Lielā ātruma adata un mazā ātruma adata ir pastāvīgi iestatītas, un tās nevar regulēt. Brīvgaitas ātrums ir vienīgā funkcija, ko var regulēt.

1. Iedarbiniet motoru un pārliecinieties, ka tas darbojas silts, un tikai pēc tam sāciet regulēt tukšgaitas ātrumu.
2. Grieziet tukšgaitas regulēšanas skrūvi pulkstenrādītāja kustības virzienā, līdz griešanas ierīce sāk kustēties.



3. Grieziet tukšgaitas regulēšanas skrūvi pretēji pulkstenrādītāja kustības virzienam, līdz griešanas ierīce apstājas.
4. Tukšgaitas apgriezienu skaitam ir jābūt mazākam par to, pie kura griešanas ierīce sāk rotēt. Tukšgaitas apgriezienu skaits ir pareizs, ja dzinējs vienmērīgi darbojas visās pozīcijās.

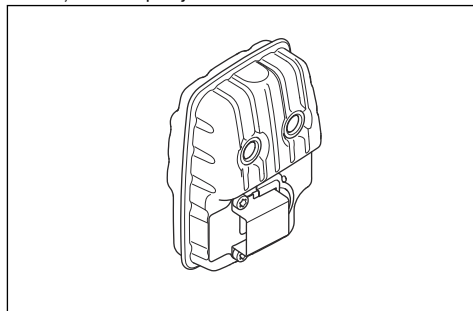
## Slāpētāja apkope

Slāpētājs samazina trokšņa līmeni un novirza izplūdes gāzes prom no operatora.

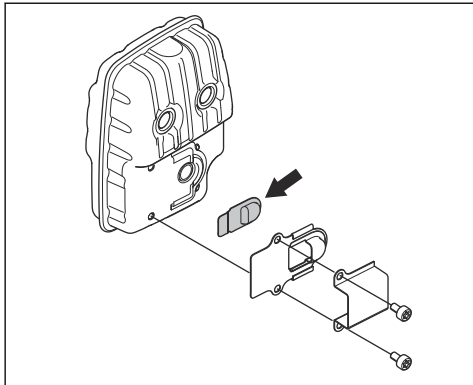


**BRĪDINĀJUMS:** Trokšņa slāpētāji, kuriem ir katalītiskie neitralizatori, izstrādājuma lietošanas laikā būtiski sakarst un būs karsti arī vēl kādu laiku pēc izstrādājuma apturēšanas. Tas attiecas arī uz tukšgaitas režīmu. Pieskaroties izstrādājumam, var tikt gūti ādas apdegumi. Ņemiet vērā aizdegšanās risku.

1. Izslēdziet izstrādājumu un ļaujiet tam atdzist.
2. Noņemiet slāpētāju.



3. Noņemiet skrūves un dzirksteli uztvērēja sietu.



4. Notīriet dzirksteli uztvērēja sietu, ja tas ir bloķēts, vai nomainiet to, ja tas ir bojāts.



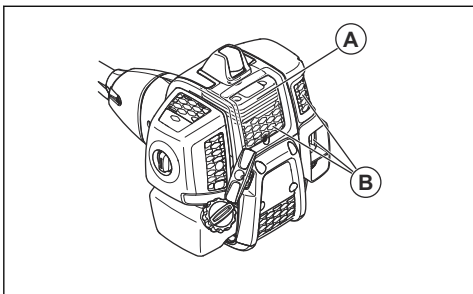
**IEVĒROJIET:** Ja dzirksteli uztvērēja siets ir bojāts, tas jānomaina. Nelietojiet izstrādājumu, ja trūkst dzirksteli uztvērēja sieta vai tas ir bojāts.



**IEVĒROJIET:** Ja dzirksteli uztvērēja siets bieži aizsērē, iespējams, ir pasliktinājiesies katalītiskā neitralizatora darbība. Lai pārbaudītu slāpētāju, sazinieties ar izplatītāju, kas nodrošina apkopi. Aizsērējis dzirksteli uztvērēja siets izraisīs pārkaršanu, kas savukārt radīs cilindra un virzuļa bojājumus.

## Dzesēšanas sistēmas tīrīšana/apkope

Šim izstrādājumam ir dzesēšanas sistēma. Netīra vai aizsērējusi dzesēšanas sistēma izraisa izstrādājuma pārkaršanu, kas var sabojāt virzuli un cilindru. Pārbaudiet un tīriet dzesēšanas sistēmu ar suku reizi nedēļā vai biežāk apstākļos, kad tas ir nepieciešams. Dzesēšanas sistēma sastāv no dzesēšanas ribām, cilindra (A) un gaisa iekļūdes atveres (B).



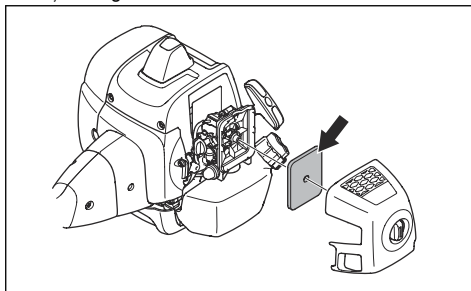
## Gaisa filtrs

Netīrs gaisa filtrs var izraisīt karburatora nepareizu darbību, iedarbināšanas problēmas, dzinēja jaudas zudumu un dzinēja daļu nodilšanu. Tā rezultātā arī dzinējs var patērēt vairāk degvielas, nekā nepieciešams. Tīriet filtru ik pēc 8 stundām vai biežāk, ja izstrādājums tiek darbināts putekļainā vidē.

**Piezīme:** Pēc gaisa filtra tīrīšanas vai nomainīšanas var būt nepieciešama dzinēja regulēšana. Skatiet šeit: *Tukšgaitas apgriezīnu skaita regulēšana lpp. 451.*

## Gaisa filtra tīrīšana un pārbaude

1. Izņemiet gaisa filtru.



2. Tīriet filca gaisa iekļūdes filtru ar saspiestu gaisu.

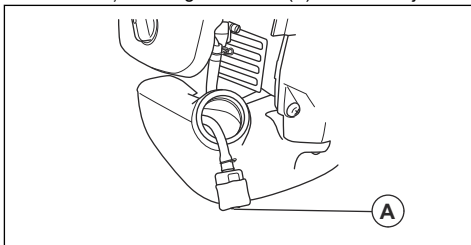


**IEVĒROJIET:** Nomainiet filca gaisa filtru, ja to nevar pilnībā iztīrīt. Vienmēr nomainiet bojātu filca gaisa filtru.

3. Notīriet gaisa filtra vāka iekšējo virsmu. Izmantojiet saspiestu gaisu vai suku.

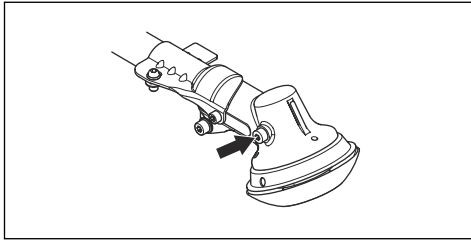
## Degvielas filtrs

Ja dzinējā sāk trūkt degvielas, pārbaudiet, vai degvielas tvertnes vāciņš vai degvielas filtrs (A) nav aizsērējis.



## Koniskais zobrats

Konisko zobratu reduktors jau rūpnīcā ir uzpildīts ar atbilstošu smērvielas daudzumu. Pirms lietot izstrādājumu, tomēr pārliedcinieties, vai koniskais zobrats ir par 3/4 piepildīts ar smērvielu. Lietojiet īpašo McCulloch smērvielu.



Nav nepieciešams mainīt smērvielu koniskajā zobratā, ja koniskais zobrats nav labots.

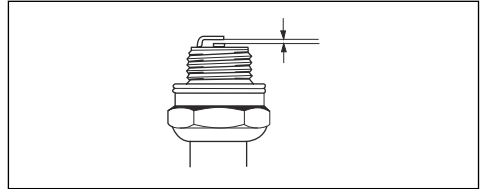
## Aizdedzes sveces pārbaude



**IEVĒROJIET:** Vienmēr lietojiet ieteikto aizdedzes sveces tipu. Nepiemērota aizdedzes svece var radīt izstrādājuma bojājumus.

- Pārbaudiet aizdedzes sveci, ja dzinējam nepietiek jaudas, dzinēju nevar viegli iedarbināt vai arī tas nedarbojas pareizi tukšgaitā.

- Lai samazinātu nevēlamu materiālu uzkrāšanos uz aizdedzes sveces elektrodiem, ievērojiet turpmākos norādījumus.
  - a) Pārlicinieties, vai tukšgaitas apgriezienu skaits ir noregulēts pareizi.
  - b) Pārlicinieties, vai degvielas maisījums ir atbilstošs.
  - c) Pārlicinieties, vai gaisa filtrs ir tīrs.
- Ja aizdedzes svece ir netīra, notīriet to un pārbaudiet, vai atstatums starp elektrodiem ir pareizs; skatiet šeit: *Tehniskie dati lpp. 453.*



- Ja nepieciešams, nomainiet aizdedzes sveci.

## Tehniskie dati

	B40 B Elite	B40 BT Elite
<b>Dzinējs</b>		
Cilindra darba tilpums, cm <sup>3</sup>	40,1	40,1
Cilindra diametrs, Ø mm	40,5	40,5
Cilindra gājienu garums, mm	31,1	31,1
Tukšgaitas apgriezienu skaits, apgr./min	3000	3000
Ieteicamais maksimālais apgriezienu skaits, apgr./min.	12 000	12 000
Dzenamās vārpstas ātrums, apgr./min	8220	8220
Maks. motora jauda saskaņā ar ISO 8893, kW/ apgr./ min.	1,5@9000	1,5@9000
<b>Aizdedzes sistēma</b>		
Aizdedzes svece	NGK CMR7H-10	NGK CMR7H-10
Attālums starp elektrodiem, mm	0,9-1,0	0,9-1,0
<b>Degvielas un eļļošanas sistēma</b>		
Ražotājs/karburatora tips	Ruixing H225D-	Ruixing H225D-
Degvielas tvertnes tilpums, l/cm <sup>3</sup>	1/1000	1/1000
<b>Svars</b>		
Bez degvielas, griešanas ierīces un aizsarga, kg	7,3	7,4

	B40 B Elite	B40 BT Elite
<b>Trokšņa emisija<sup>49</sup></b>		
Skaņas jaudas līmenis, izmēritais dB (A)	112	112
Akustiskās jaudas līmenis, garantētais (L <sub>WA</sub> dB(A))	118	118
<b>Trokšņu līmeņi<sup>50</sup></b>		
Līdzvērtīgs skaņas spiediena līmenis pie lietotāja auss mērīts atbilstoši standartam EN ISO 11806 un ISO 22868, dB (A), min./maks.		
Aprīkots ar trimera galvu (oriģināls)	100	100
Aprīkots ar zāles asmeni (oriģināls)	99	99
Aprīkots ar zāģa asmeni (oriģināls)	–	99
<b>Vibrācijas līmeņi<sup>51</sup></b>		
Līdzvērtīgi vibrācijas līmeņi (a <sub>h<sub>v</sub>,eq</sub> ) pie rokturiem mērīti atbilstoši standartam EN ISO 11806 un ISO 22867, m/s <sup>2</sup>		
Aprīkots ar trimera galvu (oriģinālo), pa kreisi/pa labi	3,4/4,4	3,4/4,4
Aprīkots ar zāles asmeni (oriģinālo), pa kreisi/pa labi	5,2/5,1	5,2/5,1
Aprīkots ar zāģa asmeni (oriģināls), pa kreisi / pa labi	–	4,5/4,2

<b>B40 B Elite, B40 BT Elite</b>		
<b>Apstiprinātie piederumi</b>	<b>Tips</b>	<b>Griešanas aprīkojuma aizsargaprīkojums, Art. nr.</b>
Asmeņu/griežņu centrālā atvere, Ø 25,4 mm		
Piedziņas vārpstas vītne, M12		
Zāles asmens/zāles griezējs	Zāles asmens 255-4, 1" (Ø 255, 4 zobi)	580 30 50-01
	Zāles asmens 255-3 (Ø 255, 3 zobi)	580 30 50-01
Zāģa asmens	Zāģa asmens 200-22 (ø 200, 22 zobi)	581 33 84-01
Trimmera galva	P35	580 30 50-01
Balsta uzlika	Fiksēts	–

<sup>49</sup> Atbilstoši EK direktīvai 2000/14/EK trokšņa emisija apkārtne ir mērīta kā akustiskā jauda (L<sub>WA</sub>). Novērotais ierīces skaņas jaudas līmenis ir izmērīts ar pievienotu oriģinālo griešanas ierīci, kas rada augstāko līmeni. Atšķirība starp garantēto un izmērīto skaņas jaudas līmeni ir tāda, ka garantētā skaņas intensitātes līmeņa mērījumu rezultāts ietver arī izkliedi mērījuma rezultātā un atšķirības dažādām tā paša modeļa ierīcēm atbilstoši direktīvai 2000/14/EK.

<sup>50</sup> Sniegtajos datos par līdzvērtīga skaņas spiediena līmeni ir tipiska statistiskā izkliede 1 dB (A) (standartnovirze).

<sup>51</sup> Sniegtajos datos par vibrācijas līmeni ir tipiska 1 m/s<sup>2</sup> statistiskā izkliede (standarta novirze).

---

# EK atbilstības deklarācija

---

## EK atbilstības deklarācija

Husqvarna ABSE-561 82 Huskvarna, Zviedrija, tālr. +46-36-146500 apliecina, ka trimmeris **McCullochB40 B Elite** ar sērijas numuriem no 2021 (gada un nedēļas skaitļis, kam seko sērijas numurs, ir skaidri norādīts uz datu plāksnītes), atbilst prasībām, kas noteiktas šajā PADOMES DIREKTĪVĀ:

- 2006. gada 17 maijs, Direktīva **2006/42/EK**, "par mašīnu tehniku";
- 2014. gada 26. februāra direktīva **2014/30/ES** "par elektromagnētisko saderību"
- 2000. gada 8. maija Direktīva **2000/14/EK** "par trokšņa emisiju vidē". Atbilstības novērtējums saskaņā ar V pielikumu. Informāciju par trokšņa emisiju skatiet sadaļā Tehniskie dati.
- 2011. gada 8. jūnija Direktīva **2011/65/ES** par dažu bīstamu vielu izmantošanas ierobežošanu elektriskās un elektroniskās iekārtās.

Tiek piemēroti tālāk norādītie standarti.

**EN ISO 12100:2010, CISPR 12:2007+A1:2009, EN ISO 14982:2009, EN ISO 11806-1:2011, EN IEC 63000:2018**

RISE SMP Svensk Maskinprovning AB, Box 7035, SE-750 07 Uppsala, Sweden ir veicis brīvprātīgu tipa pārbaudi Husqvarna AB vārdā. Sertifikātiem ir šādi numuri: **SEC/12/2339** - B40 B Elite, B40 BT Elite;

RISE SMP Svensk Maskinprovning AB ir arī pārbaudījis atbilstību Eiropas Padomes direktīvas 2000/14/EK V pielikumam.

Huskvarna, 2020-08-25



Pērs Martinsons (Pär Martinsson), izstrādes nodaļas vadītājs (pilnvarotais Husqvarna AB pārstāvis, kas atbild par tehnisko dokumentāciju)

---

## TURINYS

---

Įvadas.....	456	Techninė priežiūra.....	476
Sauga.....	458	Techniniai duomenys.....	479
Surinkimas.....	466	EB atitikties deklaracija.....	481
Naudojimas.....	469	.....	0

---

### Įvadas

---

#### Gaminio aprašas

Gaminys yra krūmapjovė su vidaus degimo varikliu.

Nuolat stengiamės padidinti jūsų saugumą ir eksploatacijos efektyvumą. Dėl išsamesnės informacijos prašome kreiptis į savo techninės priežiūros atstovą.

#### Naudojimas

Įrenginys naudojamas su pjūklo disku, žolės pjovimo peiliu arba žoliapjovės galvute įvairių rūšių augmenijai pjauti. Nenaudokite įrenginio jokiems kitiems darbams,

išskyrus žolės pjovimą, žolės valymą ir miško valymą. Pjūklo diską naudokite medžiams ir šakoms pjauti. Žolės pjovimo peilį arba žoliapjovės galvutę naudokite žolei pjauti.

---

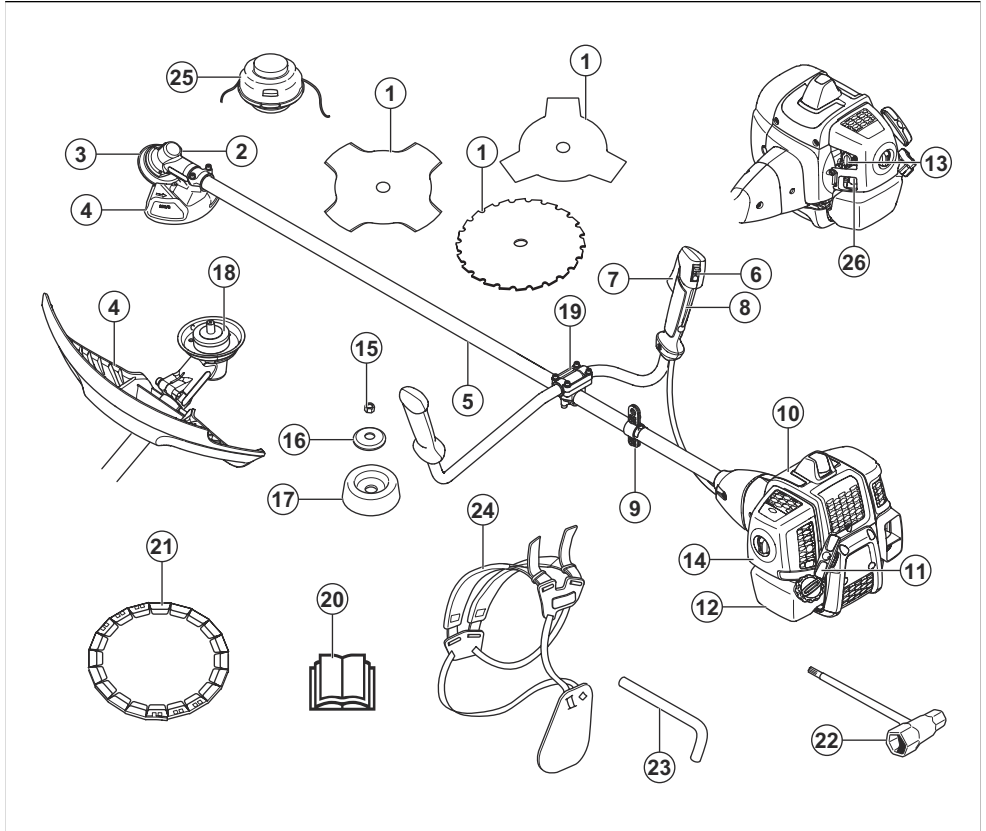
**Pasižymėkite:** Naudojimą gali reglamentuoti nacionalinės arba vietos taisyklės. Laikykitės nustatytų taisyklių.

---

Įrenginį naudokite tik su gamintojo patvirtintais priedais.  
Žr. *Techniniai duomenys psl. 479.*



## Gaminio apžvalga



- |   |  |
|---|--|
| 1. Diskas (ne visoms rinkoms)           | 19. Rankenos spaustuvas                                  |
| 2. Tepimo angos kamštis, kampinė pavara | 20. Naudojimo instrukcija                                |
| 3. Kampinė pavara                       | 21. Transportavimo apsauga (ne visoms rinkoms)           |
| 4. Pjovimo įtaiso apsauginis elementas  | 22. Raktas su galvute                                    |
| 5. Velenas                              | 23. Fiksavimo kaištis (gaminiams be šešiabriaunio rakto) |
| 6. Stabdymo jungiklis                   | 24. Diržai   |
| 7. Akceleratoriaus gaidukas             | 25. Žoliapjovės galvutė                                  |
| 8. Akceleratoriaus gaiduko blokatorius  | 26. Oro šalinimo siurbliukas                             |
| 9. Tvirtinimo kilpa                     |  |
| 10. Cilindro dangtelis                  |  |
| 11. Starterio rankenėlė                 |  |
| 12. Degalų bakelis                      |  |
| 13. Oro sklendės rankenėlė              |  |
| 14. Oro filtro dangtelis                |  |
| 15. Fiksavimo veržlė                    |  |
| 16. Atraminė jungė                      |  |
| 17. Atraminis gaubtas                   |  |
| 18. Varantysis diskas                   |  |

### Simboliai ant gaminio



**[SPĖJIMAS!]** Šis įrenginys pavojingas. Nerūpestingai arba netinkamai naudojant įrenginį gali būti sužeistas ar netgi žūti operatorius arba pašaliniai asmenys. Kad nebūtų sužeistas operatorius arba pašaliniai asmenys, perskaitykite ir laikykitės visų naudojimo instrukcijoje pateiktų saugumo nurodymų.



Prieš naudodami, atidžiai perskaitykite naudojimo instrukciją ir įsitinkite, kad viską gerai supratote.



Vietose, kur ant jūsų gali užkristi daiktų, dėvėkite apsauginį šalną. Naudokite patvirtintas apsaugines ausines. Naudokite patvirtintas akių apsaugos priemones.



Naudokite patvirtintas apsaugines pirštines.



Avėkite patvarius, neslystančius batus.



Iš įrenginio gali išskrieti pašaliniai objektai, kurie gali sužeisti.



Didžiausiasis galios atidavimo veleno greitis.



Naudodami įrenginį laikykitės ne mažesniu kaip 15 m / 50 pėd. atstumu nuo žmonių ir gyvūnų.



Jeigu pjovimo įranga paliečia objektą, kurio iš karto nenupjauna, ašmenys gali atsokti. Įrenginys gali nupjauti kūno dalis. Naudodami įrenginį laikykitės ne mažesniu kaip 15 m / 50 pėd. atstumu nuo žmonių ir gyvūnų.



Naudokite tik lankstų pjaunamąjį valą. Nenaudokite metalinių pjovimo elementų. Ši informacija taikoma žolės apsaugo priedui.



Rodyklės vaizduoja rankenos padėties ribas.



Oro šalinimo siurbliukas.



Degalų pildymas.



Oro sklendė.



Triukšmo emisija į aplinką atitinka Europos direktyvą 2000/14/EB ir Naujojo Pietų Velso įstatymą „2017 m. aplinkos apsaugos (triukšmo kontrolės) reglamentas“. Triukšmo emisijos duomenys nurodyti įrenginio etiketėje ir skyriuje *Techniniai duomenys psl. 479*.



Šis gaminys atitinka taikomas EB direktyvas.

yyyywwxxxx

Lazeriu įspaustoje vardinėje paramet-rų plokštelėje nurodytas serijos nume-ris. **yyyy** yra pagaminimo metai, o **ww** yra pagaminimo savaitė.

**Pasižymėkite:** Kiti ant gaminio pateikti simboliai (lipdukai) nurodo kitų komercinių teritorijų sertifikavimo reikalavimus.

## Atsakomybė už gaminį

Kaip nurodyta atsakomybės už gaminį įstatymuose, mes nesame atsakingi už mūsų gaminio sukeltą žalą, jei:

- gaminys netinkamai suremontuotas;
- gaminys suremontuotas naudojant kito gamintojo arba gamintojo nepatvirtintas dalis;
- gaminys turi kito gamintojo arba gamintojo nepatvirtintą priedą;
- gaminys suremontuotas ne patvirtintame techninės priežiūros centre arba jį suremontavo ne patvirtintas atstovas.

## „Euro V“ standartas



**PERSPĖJIMAS:** Variklio modifikavimas panaikina šio produkto ES tipo patvirtinimą.

## Sauga

### Saugos ženklų reikšmės

Toliau apibrėžiamas signalinių žodžių žymimas pavojus.



**PERSPĖJIMAS:** Gali susižeisti asmenys.



**PASTABA:** Galima sugadinti gaminį.

**Pasižymėkite:** Ši informacija padeda gaminį naudoti saugiau.

## Bendrieji saugos nurodymai



**PERSPĖJIMAS:** Prieš naudodami gaminį, perskaitykite toliau esančius įspėjimus.

- Šis gaminys veikdamas sukuria elektromagnetinį lauką. Tam tikromis aplinkybėmis šis laukas gali trikdyti aktyviųjų arba pasyviųjų medicininių implantų veiklą. Kad sumažėtų sunkių ar mirtinų sužeidimų pavojus, medicininių implantų turintiems asmenims rekomenduojame prieš naudojant šį gaminį pasitarti su gydytoju ir implanto gamintoju.
- Neekspluatuokite gaminio, jeigu esate pavargę, sergate, vartojate alkoholio, narkotikų ar vaistų. Tai neigiamai veikia jūsų regėjimą, nuovoką ar koordinaciją.
- Įrenginio nenaudokite blogu oru, pvz., esant tirštam rūkui, stipriam lietuvi, smarkiam vėjui ar dideliam šalčiui. Naudodami įrenginį blogu oru galite pavargti, be to, kyla papildomų pavojų, pavyzdžiui, apledėjusi žemė ir neprognozuojama pjaunamo medžio kritimo kryptis.
- Visada elkitės atsargiai ir vadovaukitės sveiku protu. Jeigu perskaičius naudotojo instrukciją kiltų dvejonių dėl darbo situacijos arba darbo procedūrų, prieš tęsdami darbą pasitarkite su techninės priežiūros paslaugas teikiančiu prekybos atstovu.
- Jeigu gaminį paliekate neprižiūrimą, nuimkite uždegimo žvakės antgalį.

## Surinkimo saugos instrukcijos



**PERSPĖJIMAS:** Prieš naudodami gaminį, perskaitykite toliau esančius įspėjimus.

- Naudokite patvirtintas apsaugines pirštines, kai surenkate gaminį ir pjovimo įtaisa.
- Prieš surinkdami gaminį nuo uždegimo žvakės atjunkite laidą.
- Prieš naudodami gaminį įsitinkinkite, kad pritvirtinta tinkama rankena ir pjovimo įtaiso apsauginis elementas.

- Naudojant pažeistą arba netinkamą pjovimo įtaisa galima susižeisti. Nenaudokite pjovimo įtaiso, jei neįrengta patvirtinta pjovimo įtaiso apsauga.
- Prieš paleisdami gaminį, tinkamai pritvirtinkite sankabos gaubtą ir veleną.
- Pavaros diskas ir atraminė jungė turi būti tinkamai įleisti į pjovimo įtaiso viduryje esančią angą. Netinkamai uždėtas pjovimo įtaiso gali sunkiai arba mirtinai sužeisti.
- Pritvirtinkite laikymo diržus, kad apsaugotumėte gaminio naudotoją ir kitus asmenis nuo sužalojimų.

## Naudojimo saugos instrukcijos



**PERSPĖJIMAS:** Prieš naudodami gaminį, perskaitykite toliau esančius įspėjimus.

- Prieš naudodami įrenginį išsiaiškinkite ir supraskite skirtumą tarp miško valymo, žolės valymo bei žolės pjovimo.
- Naudokite asmenines apsaugines priemones, žr. *Asmeninės apsauginės priemonės psl. 460*.
- Dėl ilgalaikio triukšmo poveikio galima nepagydomai apkursti. Visada naudokite patvirtintas apsaugines ausines.
- Naudodami apsaugines ausines klausykite įspėjamųjų signalų ir garsių balsų. Išjungę variklį būtina nusiimkite apsaugines ausines.
- Jokių būdu nenaudokite pakeisto arba sugadinto įrenginio.
- Įsitinkinkite, kad nesugadintas uždegimo žvakės antgalis ir uždegimo laidas, kad išvengtumėte elektros smūgio.
- Apžiūrėkite darbo zoną ir įsitinkinkite, kad joje nėra žmonių, gyvūnų ir daiktų, dėl kurių gali būti mažiau saugu naudoti įrenginį.
- Apžiūrėkite darbo zoną ir įsitinkinkite, kad jokie žmonės arba gyvūnai negali paliesti pjovimo įtaiso arba nukentėti dėl objektų, išsviedžiamų iš pjovimo įtaiso.
- Įrenginio nenaudokite tokiomis aplinkybėmis arba tokioje vietoje, kur įvykus nelaimingam atsitikimui jums nebūtų suteikta pagalba.
- Nenaudokite gaminio be patvirtintos pjovimo įtaiso apsaugos.
- Pasirūpinkite, kad dirbant arčiau nei 15 m / 50 pėdų atstumu nebūtų žmonių ir gyvūnų. Prieš sukdami su įrenginiu būtina pažiūrėkite už savęs. Jeigu į 15 m / 50 pėdų saugos zoną įeina žmogus arba gyvūnas, tuojau pat sustabdykite įrenginį. Jeigu toje pačioje zonoje dirba daugiau nei vienas naudotojas, laikykitės saugaus atstumo, kuris turi būti ne mažesnis kaip dvigubas medžių aukštis ir ne mažesnis kaip 15 m / 50 pėdų.
- Patikrinkite darbo zoną. Venkite palaidų daiktų, pavyzdžiui, akmenų, stiklo šukių, vinių, vielų, virvių ir pan., kurie gali iškristi arba apsvynioti aplink pjovimo įtaisa.

- Pasirūpinkite, kad galėtumėte saugiai judėti ir palaikyti saugią stovėseną. Patikrinkite aplinkinę zoną, ar nėra kliūčių, pavyzdžiui, šaknų, akmenų, šakų ir griovių. Dirbdami šlaituose būkite atsargūs.



- Per plačiai neužsimokite. Visada stabiliai stovėkite ir palaikykite gerą pusiausvyrą.
- Prieš užvesdami įrenginį padėkite ant lygaus paviršiaus, mažiausiai 3 m / 10 pėdų atstumu nuo degalų šaltinio ir degalų pildymo vietos. Pasirūpinkite, kad arti pjovimo įtaiso nebūtų ir jo nelieštų jokie daiktai.
- Jeigu varikliui veikiant tuščiaja eiga pjovimo įtaisas sukasi, kreipkitės į techninės priežiūros atstovą, kad sureguliuotų. Nenaudokite įrenginio, kol jis nėra tinkamai sureguliuotas arba sutaisytas.
- Saugokitės išsviedžiamų daiktų. Būtinai naudokite patvirtintas akių apsaugos priemones ir laikykitės atokiau pjovimo įtaiso apsaugo. Išsviedžiami akmenukai arba kiti smulkūs daiktai gali pataikyti į akis ir apakinti arba kitaip sužeisti.
- Neišjungę variklio niekada nedėkite įrenginio ant žemės, jei jo nematote.
- Veikiant varikliui arba sukantis pjovimo įtaisui patys nemėginkite ir kitiems asmenims neleiskite pašalinti nupjautos medžiagos, nes antraip galima sunkiai susižeisti.
- Prieš šalindami medžiagą, apsvyniojusią aplink ašmenų veleną arba įstrigusią tarp pjovimo įtaiso apsauginio elemento ir pjovimo įtaiso, būtinai išjunkite variklį ir įsitinkinkite, kad pjovimo įtaisas nebesisuka.
- Šalindami medžiagą iš pjovimo įrangos, būkite atsargūs. Važiuklės pavara darbo metu tampa karšta ir gali sukelti nudegimų.
- Variklio išmetamosios dujos yra karštos, jose gali būti kibirkščių. Gaisro pavojus. Būkite atsargūs šalia sausų ir degių medžiagų.
- Griežtai draudžiama gaminių naudoti patalpose arba nepakankamai vėdinamose vietose. Išmetamosios dujos yra anglies monoksido (smalkių) – nuodingų, bekvapių ir labai pavojingų dujų.
- Prieš pereidami į kitą darbo zoną išjunkite variklį. Prieš perkeldami įrangą būtinai uždėkite transportavimui skirtą apsauginį elementą.
- Ilgalaikė vibracija gali pakenkti silpnos kraujotakos žmonių kraujotakai ir nervų sistemai.

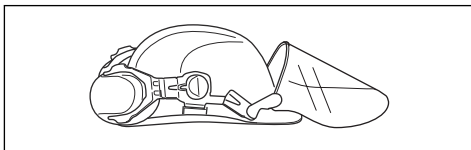
Pajutę pernelyg stiprios vibracijos sukeltus simptomus, kreipkitės į gydytoją. Simptomai yra nutirpimas, nejautrumas, badymas, dilgsėjimas, skausmas, silpnumas, odos spalvos ir būklės pakitimas. Šie simptomai dažniausiai pasireiškia pirštuose, plaštakose ir riešuose. Rizika padidėja esant žemai temperatūrai.

## Asmeninės apsauginės priemonės

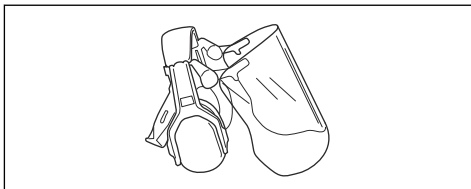


**PERSPĖJIMAS:** Prieš naudodami gaminį, perskaitykite toliau esančius įspėjimus.

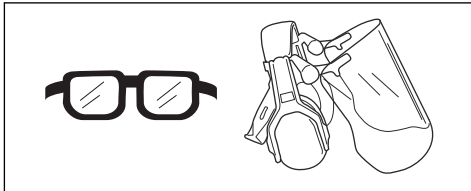
- Naudodami įrenginį būtinai dėvėkite patvirtintas asmenines apsaugines priemones. Asmeninės apsauginės priemonės nepadės visiškai išvengti pavojaus susižeisti, tačiau nelaimingo atsitikimo atveju mažiau nukentėsite. Leiskite prekybos atstovui padėti pasirinkti tinkamą įrangą.
- Jeigu darbo zonoje yra aukštesnių nei 2 m / 6,5 pėdos medžių, dėvėkite šalmą.



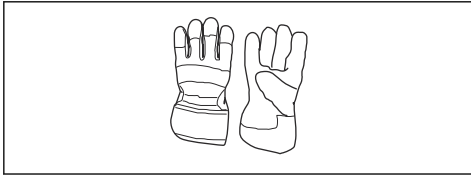
- Naudokite patvirtintas apsaugines ausines.



- Naudokite patvirtintas akių apsaugos priemones. Jei naudojamas apsauginis skydelis, turi būti nešiojami ir patvirtinti apsauginiai akiniai. Patvirtinti apsauginiai akiniai atitinka JAV ANSI Z87.1 standartą arba ES EN 166 standartą.



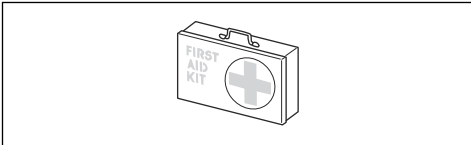
- Kai būtina, pvz., montuojant, apžiūrint arba valant pjovimo įrangą, užsimaukite pirštines.



- Avėkite apsauginius batus su plieninėmis nosimis ir neslystančiais padais.



- Vilkėkite iš stiprios medžiagos pagamintus drabužius. Būtinai mūvėkite tvirtas, ilgas kelnes, vilkėkite aprangą ilgomis rankovėmis. Nevilkėkite laisvų drabužių, kurie gali užkibti už krūmokšnių ir šakų. Nedėvėkite papuošalų, trumpų kelniių ir neavėkite sandalų. Nebūkite basi. Saugiai susisekite plaukus aukščiau pečių.
- Pasirūpinkite, kad netoliese būtų pirmosios pagalbos vaistinė.



## Gaminio apsauginės priemonės

Informacija, kur rasti apsaugines priemones, pateikta *Pjovimo įtaiso apsauga psl. 462*



**PERSPĖJIMAS:** Prieš naudodami gaminį, perskaitykite toliau esančius įspėjimus.

- Nesinaudokite gaminio, jei jo apsauginės priemonės yra netvarkingos. Reguliariai tikrinkite ir prižiūrėkite apsaugines priemones. Jei apsauginės priemonės yra pažeistos, pasitarkite su McCulloch techninės priežiūros atstovu.
- Nekeiskite apsauginių priemonių. Nenaudokite įrenginio, jeigu apsauginiai gaubtai, apsauginiai jungikliai ir kitos apsauginės priemonės yra neįrengtos arba netvarkingos.
- Visiems įrenginio, ypač apsauginių priemonių, techninės priežiūros ir remonto darbams reikia specialaus mokymo. Jeigu šioje naudotojo instrukcijoje aprašytos apsauginių priemonių patikros nesėkmingos, turite kreiptis į techninės priežiūros atstovą pagalbos. Garantuojame, kad bus atliktas

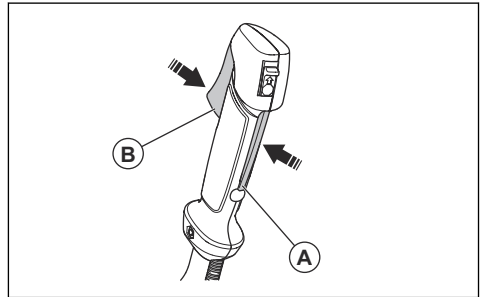
profesionalus remontas ir techninė priežiūra. Jei jūsų pardavėjas nėra techninės priežiūros atstovas, paprašykite jo informacijos apie artimiausią techninės priežiūros atstovą.

- Nenaudokite pjovimo įtaiso be patvirtinto ir tinkamai uždėto pjovimo įtaiso apsaugo. Žr. *Techniniai duomenys psl. 479*

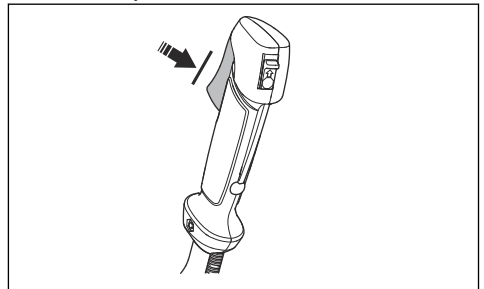
## Akceleratoriaus gaiduko fiksatoriaus patikra

Akceleratoriaus užraktas skirtas apsaugoti akceleratoriaus gaiduką nuo netyčinio paspaudimo.

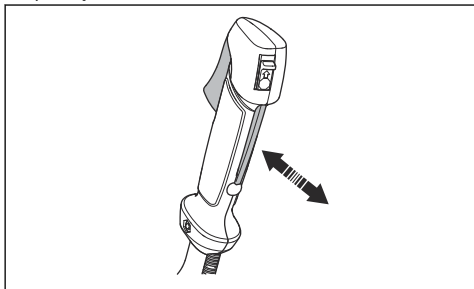
1. Paspauskite akceleratoriaus gaiduko blokatorių (A) ir įsitikinkite, kad akceleratoriaus gaidukas atlaisvintas (B). Kai paleisite rankeną, akceleratoriaus gaidukas ir jo blokatorius grįš į pradinę padėtį. Tai vyksta dėl dviejų atmetamųjų spyruoklių sistemų. Nedirbant įrenginiu akceleratoriaus gaidukas automatiškai užsiblokuoja laisvosios eigos padėtyje.



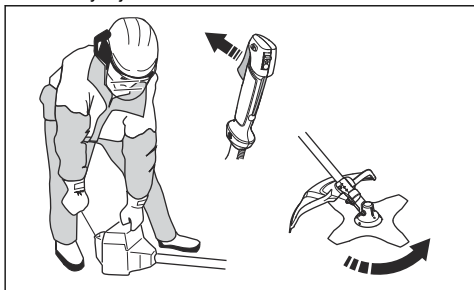
2. Patikrinkite, ar veikiant laisvąja eiga akceleratoriaus gaidukas yra užblokuotas, kai akceleratoriaus blokatorius yra atleistas.



3. Paspauskite akceleratoriaus gaiduko blokatorių ir patikrinkite, ar atleidis jis grįžta į savo pradinę padėtį.

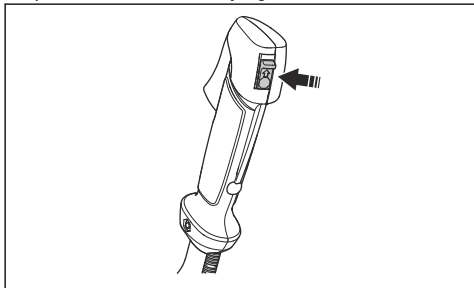


4. Patikrinkite, ar akceleratoriaus gaidukas ir jo blokatorius laisvai junginėjasi ir ar gerai veikia jų spyruoklių sistema.
5. Paleiskite gaminį (instrukcijų ieškokite *Užvedimas ir išjungimas psl. 471*) ir iki galo nuspauskite akceleratoriaus gaiduką.
6. Atleiskite akceleratorių ir patikrinkite, ar pjovimo įranga sustoja ir daugiau nejuda. Sureguliuokite karbiuratorių, jei pjovimo įranga juda, kai akceleratorius yra tuščiosios eigos padėtyje. Žr. instrukcijas *Greičio tuščiaja eiga reguliavimas psl. 477* skyriuje.



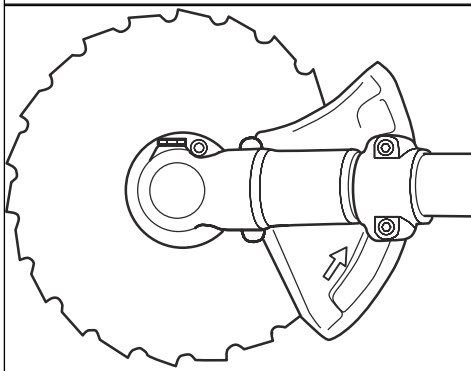
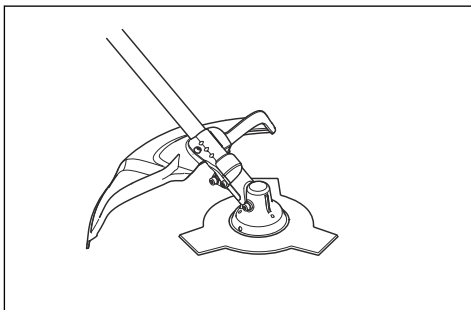
### Stabdymo jungiklio patikra

1. Paleiskite variklį.
2. Perjunkite stabdymo jungiklį į stabdymo padėtį ir patikrinkite, ar variklis išjungiamas.



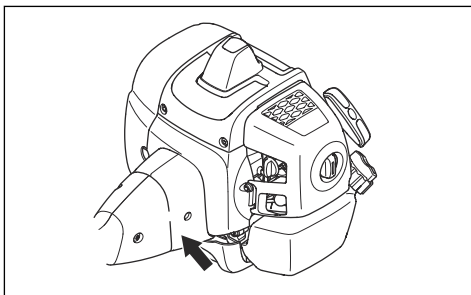
### Pjovimo įtaiso apsauga

Pjovimo įtaiso apsauga saugo, kad gaminio naudotojo kryptimi neišskrietų palaidi objektai. Apžiūrėkite, ar pjovimo įtaiso apsauga nepažeista, ir esant reikalui ją pakeiskite. Naudokite tik patvirtintą pjovimo įtaiso apsaugą.



### Vibracijos slopinimo sistemos patikra

Vibracijos slopinimo sistema mažina rankenų vibraciją, kad būtų lengviau dirbti.



1. Išjunkite variklį.
2. Apžiūrėkite, ar sistema nedeformuota ir nesugadinta, pavyzdžiui, neįskilusi.
3. Įsitinkinkite, ar tinkamai pritvirtinti vibracijos slopinimo sistemos elementai.

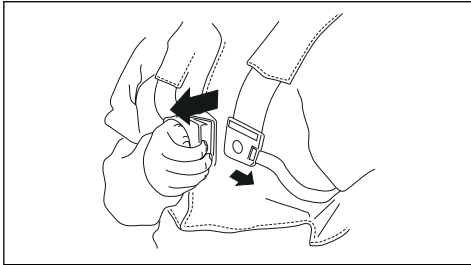
## Greito atsegimo mechanizmo patikra



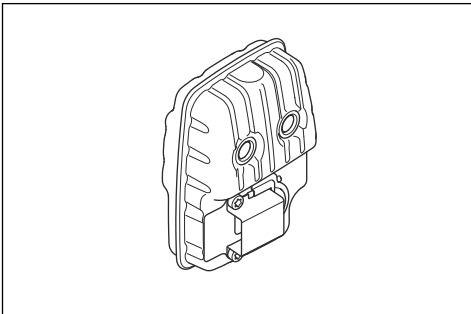
**PERSPĖJIMAS:** Nenaudokite diržų su sugedusiu greito atsegimo mechanizmu.

Naudodamasis greito atsegimo mechanizmu naudotojas gali pavojaus atveju greitai atsegti įrenginį nuo diržų.

1. Išjunkite variklį.
2. Apžiūrėkite, ar apsauga nesugadinta, pavyzdžiui, neįskilusi.
3. Atsekite ir prisekite greito atsegimo mechanizmą, kad patikrintumėte, ar jis tinkamai veikia.



## Duslintuvas



- Nenaudokite variklio su pažeistu duslintuvu. Pažeistas duslintuvas skleidžia daugiau triukšmo ir kelia didesnį gaisro pavojų. Visada šalia turėkite gesintuvą.
- Reguliariai apžiūrėkite, ar duslintuvas pritvirtintas prie gaminio.
- Kai variklis užvestas nelieskite variklio arba duslintuvo. Išjungę variklį kurį laiką nelieskite variklio arba duslintuvo. Įkaitę paviršiai gali sužaloti.
- Karštas duslintuvas gali sukelti gaisrą. Būkite atsargūs naudodami gaminį greta degių skysčių arba dujų.
- Nelieskite pažeisto duslintuvo dalių. Dalyse gali būti kancerogeninių medžiagų.
- Jei gaminys turi kibirkščių sulaikymo tinklėlį, jį reguliariai valykite. 🛠️

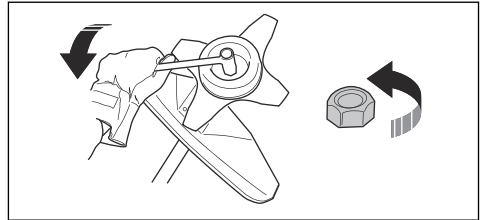
## Antveržlės tvirtinimas ir nuėmimas



**PERSPĖJIMAS:** Išjunkite variklį, mūvėkite apsaugines pirštines ir saugokitės pjovimo įtaiso aštrių briaunų.

Fiksavimo veržlė naudojama kai kuriems pjovimo įtaisams tvirtinti. Antveržlės veržlės sriegis kairinis.

- Tvirtindami fiksavimo veržlę sukite prieš pjovimo įtaiso sukimosi kryptį.
- Nuimdami fiksavimo veržlę sukite pjovimo įtaiso sukimosi kryptimi.
- Norėdami atlaisvinti arba priveržti fiksavimo veržlę, naudokite raktą su galvute ilgu kotu. Paveiksle rodyklė rodo sritį, kurioje galima naudoti raktą su galvute.



**PERSPĖJIMAS:** Atlaisvinant arba priveržiant fiksavimo veržlę jos ašmenys gali sužeisti. Tai darydami visuomet įsitikinkite, kad geležtės apsauga saugo jūsų ranką nuo sužalojimų.

**Pasižymėkite:** Įsitikinkite, kad neįmanoma ranka pasukti antveržlės. Jeigu nailoninės įvorės pasipriešinimas mažesnis nei 1,5 Nm, pakeiskite veržlę. Fiksavimo veržlė turi būti pakeista maždaug po 10 prisukimų.

## Pjovimo įranga

Pasirinkite ir prižiūrėkite pjovimo įrangą taip, kad:

- išgautumėte maksimalią pjovimo jėgą;
- prailgintumėte pjovimo įrangos eksploatavimo trukmę.
- Vykdykite duslintuvo patikros, techninės priežiūros ir aptarnavimo instrukcijas.
- Visada naudokite rekomenduojamą pjovimo įrangos apsaugą. Žr. techninius duomenis.



**PERSPĖJIMAS:** Pjovimo įrangą naudokite tik su mūsų rekomenduojama apsauga! Žr. skyrių „Techniniai duomenys“. Žiūrėkite pjovimo įrangos instrukcijas tam, kad galėtumėte tinkamai įdėti pjovimo lyną bei parinkti tinkamą žoliapjovės lyno skersmenį.



**PERSPĖJIMAS:** Netvarkinga pjovimo įranga padidina nelaimingų atsitikimų pavojų.



**PERSPĖJIMAS:** Prieš pradėdami bet ką dirbti su pjovimo įranga visada pirmiausia išjunkite variklį. Net atleidus akceleratoriaus gaiduką ji kurį laiką dar sukasi. Prieš pradėdami dirbti prie šio įtaiso įsitikinkite, kad pjovimo įtaisas visiškai sustojo, ir atjunkite uždegimo žvakės antgalį.

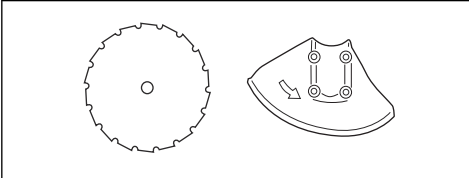
- Pjovimo įtaisas naudokite tik su rekomenduojamomis apsaugos priemonėmis. Žr. *Techniniai duomenys psl. 479*.

### Pėliai

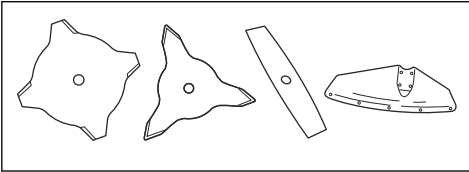
- Naudokite gaminį su patvirtintu pjovimo peiliu. Pjovimo peilį naudokite tik tinkamai pritvirtinę visas reikiamas dalis. Patikrinkite, ar viskas atliktą tinkamai ir kad naudojamos tinkamos dalys. Dėl netinkamai sumontuotų dalių peilis gali nusukti ir rimtai sužaloti naudotoją arba aplinkinius.
- Tvarkydami pjovimo peilį arba atlikdami jo priežiūros darbus, mūvėkite apsaugines pirštines.
- Naudodami gaminį su pjovimo peiliu naudokite galvos apsaugą.
- Sustabdžius variklį arba atleidus akceleratoriaus gaiduką besisukantis pjovimo peilis gali sužaloti. Prieš atlikdami priežiūrą, įsitikinkite, kad pjovimo peilis visiškai sustojo.
- Prieš pradėdami dirbti su pjovimo įranga pirmiausia išjunkite variklį. Įsitikinkite, kad pjovimo įtaisas visiškai sustojo. Nuo degimo žvakės nuimkite laidą.
- Peilio ašmenys turi būti gerai ir teisingai pagalšti.

### Pjovimo įranga

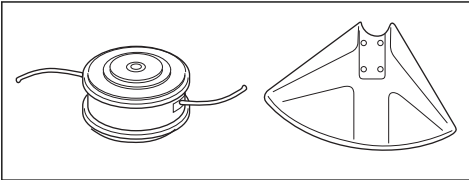
- Pjūklo diską naudokite medžiams ir šakoms pjauti.



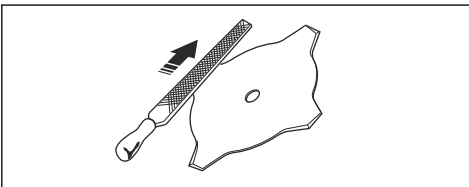
- Stambesnei žolei pjauti naudokite žolės peilius.



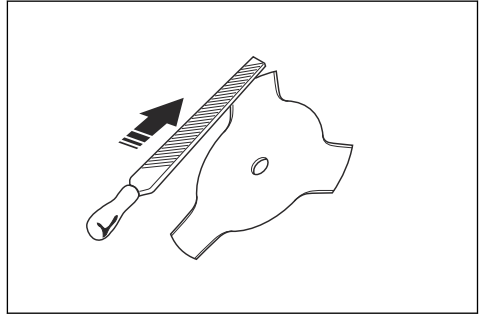
- Žolei pjauti naudokite žoliapjovės galvutę.



- Blogai pagalšta ar sugadinta geležtė padidina nelaimingų atsitikimų pavojų. Peilio ašmenys turi būti gerai ir teisingai pagalšti. Paisykite *Žolės pjovimo įtaisų ir žolės pjovimo peilių galandimas psl. 465* nurodytų instrukcijų ir naudokite rekomenduojamą dildės šablona.



- Apžiūrėkite, ar nesugadintas ir neištrūkęs pjovimo įtaisas. Pakeiskite pažeistą pjovimo įtaisą.

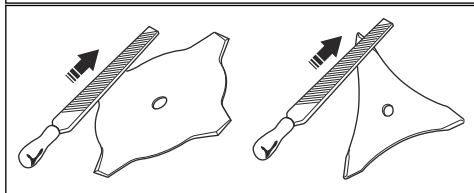
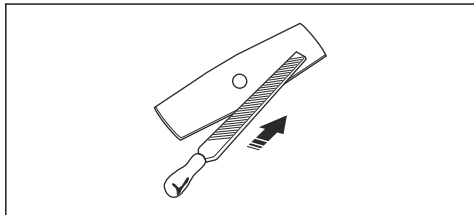


- Sugadinto pjovimo įtaiso nenaudokite.
- Transportuodami arba palikdami saugoti gaminį, pritvirtinkite transportavimui skirtą apsauginį elementą prie pjovimo peilio.



## Žolės pjovimo įtaisų ir žolės pjovimo peilių galandimas

- Pagalškite žolės pjovimo įtaisų ir žolės pjovimo peilių ašmenis vienodai, kad jie išliktų subalansuoti. Naudokite plokščiąją dildę su vienkrypčiais grioveliais.

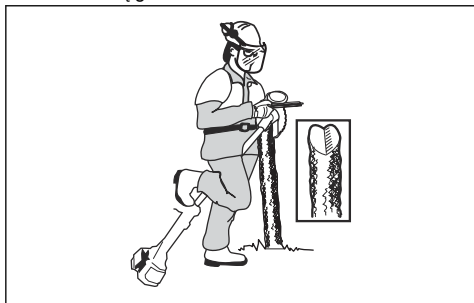


## Pjūklo disko galandimas

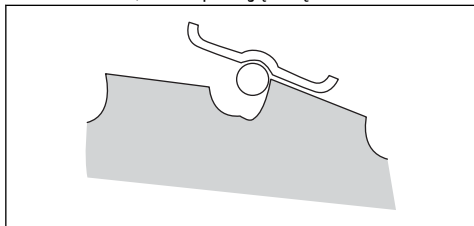


**PERSPĖJIMAS:** Išjunkite variklį. Mūvėkite apsaugines pirštines.

- Kad tinkamai pagalstumėte pjūklo diską, žr. su juo pateiktą instrukciją.
- Galąsdami pasirūpinkite, kad įrenginys ir pjūklo diskas būtų gerai atremti.

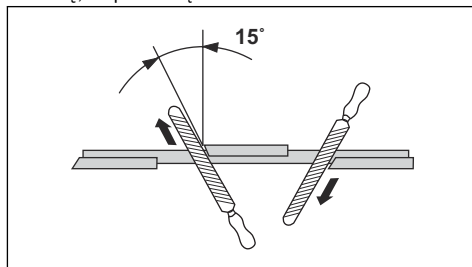


- Naudokite 5,5 mm apvaliąją dildę su rankenėle.



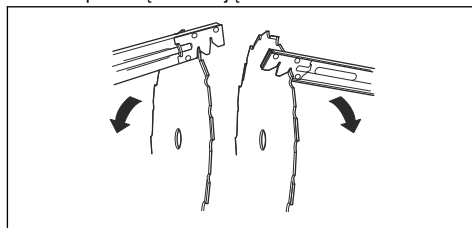
- Laikykite dildę 15° kampu.

- Vieną pjūklo disko dantį galąskite į dešinę, kitą – į kairę, žr. paveikslą.



**Pasižymėkite:** Jeigu pjūklo diskas labai nusidėvėjęs, dantų briaunas pagalškite plokščiąja dilde. Baikite galąsti apvaliąja dilde.

- Kad pjūklo diskas būtų subalansuotas, vienodai pagalškite visas briaunas.
- Rekomenduojamu prapjovos nustatymo įrankiu nustatykite 1 mm pjūklo disko prapjovą. Žr. su pjūklo disku pateiktą instrukciją.

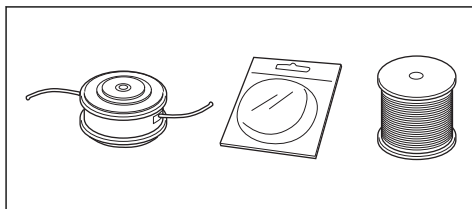


**PERSPĖJIMAS:** Sugadintą pjūklo diską išmeskite. Nemėginkite ištiesinti ir vėl naudoti sulenкто arba išsikraipiusio pjūklo disko.

## Žoliapjovės galvutė



**PERSPĖJIMAS:** Siekiant išvengti pavojingos vibracijos, visuomet įsitikinkite, kad žoliapjovės lynas standžiai ir tolygiai apvyniotas apie būgną.



- Naudokite tik tai rekomenduojamas žoliapjovės galvutes ir žoliapjovės lynus.
- Naudokite tik rekomenduojamus pjovimo įtaisus.

- Mažesniems įrenginiams reikia mažesnių žoliapjovės galvučių ir atvirksčiai.
- Taip pat svarbus žoliapjovės lyno ilgis. Ilgesniam lynui sukti reikia stipresnio variklio nei to paties storio trumpesniam lynui.
- Patikrinkite, ar nepažeistas prie apsauginio žoliapjovės skydelio pritvirtintas peilis. Jis nupjauna reikiamo ilgio žoliapjovės lyną.
- Prieš naudodami žoliapjovės lyną, pamirkykite jį porą dienų vandenyje, kad prailgėtų jo eksploataavimo laikas.
- Prieš pildami kurą įsitikinkite, ar variklis ataušęs.
- Prieš pildami kurą lėtai atidarykite kuro bakelio dangtelį ir atsargiai išleiskite slėgį.
- Nepilkite į variklį kuro būdami patalpoje. Dėl oro stygiaus galima susižaloti arba žūti uždusus arba apsinuodijus anglies monoksidu.
- Kruopščiai priveržkite kuro bakelio dangtelį, nes antraip gali kilti gaisras.
- Prieš pradėdami darbą patraukite gaminį mažiausiai 3 m (10 pėdų) nuo vietos, kurioje pylėte kurą.
- Nepripilkite į kuro bakelį pernelyg daug kuro.
- Pasirūpinkite, kad perkeliant gaminį arba kuro bakelį iš jo neišsiliėtų kuras.
- Nestatykite gaminio arba kuro bakelio greta atviros liepsnos, kibirkščių arba degiklio. Įsitikinkite, kad laikymo patalpoje nėra atviros liepsnos.
- Kurą gabenkite ir laikykite tik patvirtintuose bakeliuose.
- Prieš palikdami gaminį saugoti ilgesniam laikui, ištuštinkite kuro bakelį. Kurą utilizuokite atsižvelgdami į vietinius įstatymus.
- Nuvalykite gaminį prieš palikdami jį saugoti ilgesniam laikui.
- Prieš palikdami gaminį saugoti ilgesnį laiką atjunkite uždegimo žvakės kabelį, kad variklis netikėtai neužsivestų.

## Saugumo reikalavimai kurui

- Neužveskite gaminio, jei ant gaminio yra kuro arba variklio alyvos. Nuvalykite nepageidaujamą kurą / alyvą ir palaukite, kol gaminys išdžius. Nuvalykite nuo gaminio nepageidaujamą kurą.
- Apsipylę drabužius kuru nedelsiant persirenkite.
- Neapsipilkite kūno kuru, nes jis gali sužaloti. Apsipylę kūną kuru, jį nusiplaukite muilu ir vandeniu.
- Neužveskite variklio, jei apļiejote gaminį arba kūną alyva arba kuru.
- Neužveskite gaminio, jei iš variklio sunkiasi skysčiai. Reguliariai tikrinkite, ar iš variklio nesisunkia skysčiai.
- Atsargiai elkitės su kuru. Kuras yra degus, o jo garai – sprogūs, todėl neatsargiai elgiantis galima susižaloti arba žūti.
- Neįkvėpkite kuro garų, nes jie gali sužaloti. Pasirūpinkite tinkamu vėdinimu.
- Nerūkykite greta kuro arba variklio.
- Nedėkite šiltų objektų greta kuro arba variklio.
- Nepilkite kuro, kai variklis užvestas.

## Priežiūros saugos instrukcijos

- Jeigu negalite koreguoti greičio tuščiaja eiga, kad pjovimo įtaisas sustotų, kreipkitės į techninės priežiūros centrą. Nenaudokite įrenginio, kol jis nėra tinkamai sureguliuotas arba suremontuotas.

## Surinkimas



**PERSPĖJIMAS:** Prieš surinkdami gaminį perskaitykite skyrių apie saugą.

### Įvadas



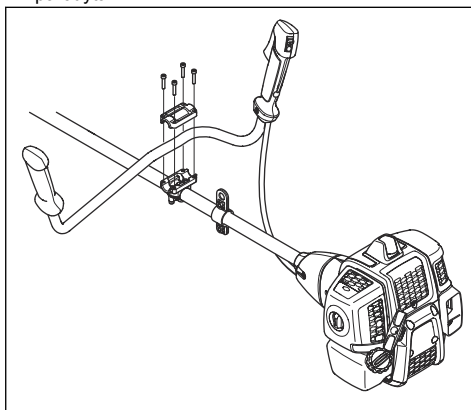
**PERSPĖJIMAS:** Prieš surinkdami įrenginį perskaitykite ir supraskite saugos skyriaus informaciją.



**PERSPĖJIMAS:** Prieš surinkdami gaminį nuo uždegimo žvakės nuimkite dangtelį.

## Rankenos montavimas

1. Pritvirtinkite rankeną prie montavimo laikiklio, kaip parodyta.



## Žolės pjovimo peilių ir žoliapjovės galvučių montavimas



**PERSPĖJIMAS:** Naudokite tik patvirtintą peilių apsaugą. Žr. *Techniniai duomenys psl. 479*. Pažeista apsauga gali sužeisti.

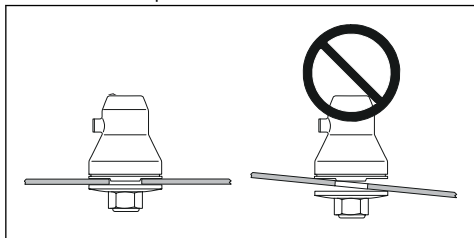


**PERSPĖJIMAS:** Jei naudojate gaminį su žolės pjovimo peiliu, pirmiausia sumontuokite tinkamą rankeną, disko apsaugą ir laikymo diržus.



**PERSPĖJIMAS:** Netinkamai sumontuoti peiliai gali sužeisti.

1. Patikrinkite, ar pakelta varančiojo disko / atraminio flanšo dalis tinkamai įstatyta į centrinę peilių angą.
2. Sumontuokite peilius.



## Geležtės apsaugos, žolės pjovimo geležtės bei žolės pjovimo įtaiso montavimas

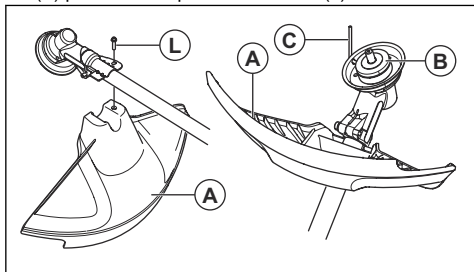


**PASTABA:** Naudokite tik patvirtintą peilių apsaugą. Skaitykite naudojimo instrukciją.

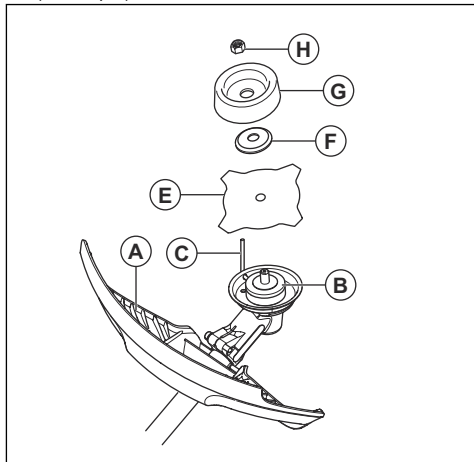


**PASTABA:** Pasirūpinkite, kad būtų nuimta papildoma apsauga.

1. Pritvirtinkite disko apsaugą / pjovimo įtaiso apsaugą (A) prie veleno ir priveržkite varžtu (L).



2. Varantįjį diską (B) pritvirtinkite prie galios atidavimo veleno.
3. Sukite galios atidavimo veleną tol, kol viena iš varančiojo disko angų atsistos ties reikiama skylė pavaros korpuse.
4. Į angą įkiškite fiksavimo kaištį (C), kad jis gerai pritvirtintų veleną.
5. Žolės pjovimo peilį (E), atraminę jungę (F) ir atraminį gaubtą (G) uždėkite ant galios atidavimo veleno.
6. Užsukite veržlę (H). Veržliarakčio rankeną laikykite kaip įmanoma arčiau disko apsaugos. Norėdami priveržti veržlę, sukite veržliaraktį priešinga sukimuisi kryptimi. Veržlės prisukimo momentas 35-50 Nm (3,5-5 kpm).



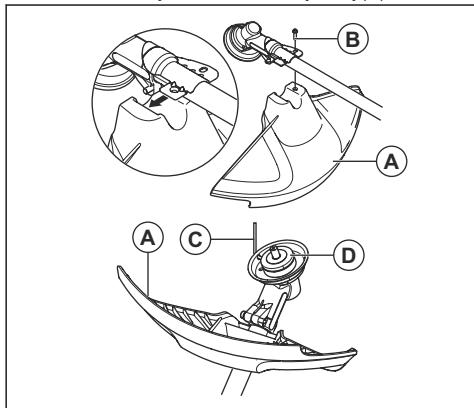
**Pasižymėkite:** Kairinis sriegis.

## Žoliapjovės apsauginio elemento ir žoliapjovės galvutės pritvirtinimas

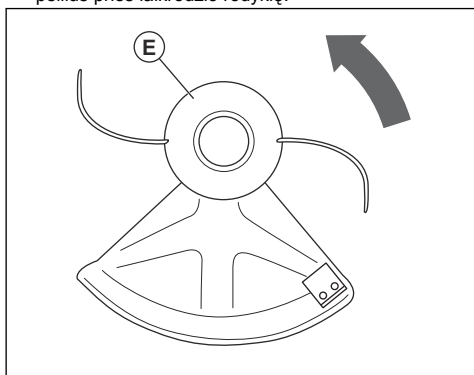
**Pasižymėkite:** Būtinai naudokite tinkamą žoliapjovės apsaugą tinkamai žoliapjovės galvutei.

1. Prijunkite tinkamą žoliapjovės galvutės apsaugą / kombinuotą apsaugą (A).

- Uždėkite žoliapjovės apsaugą / kombinuotą apsaugą ant veleno ir priveržkite varžtu (B). Naudokite fiksavimo kaištį arba šešiabriaunį raktą (C).



- Fiksavimo kaištį arba šešiabriaunį raktą (C) įstatykite į varžto griovelį ir priveržkite.
- Pritvirtinkite varantįjį diską (D) prie galios atidavimo veleno.
- Sukite darbinį veleną tol, kol viena iš varančiojo disko angų atsistos ties skylė pavarų dėžėje.
- Į angą įstatykite fiksavimo kaištį arba šešiabriaunį raktą (C), kad užfiksuotumėte veleną.
- Sumontuokite žoliapjovės galvutę / plastikinius peilius (E). Pasukite žoliapjovės galvutę / plastikinius peilius prieš laikrodžio rodyklę.



- Norėdami išrinkti, vykdykite nurodymus atvirkštine tvarka.

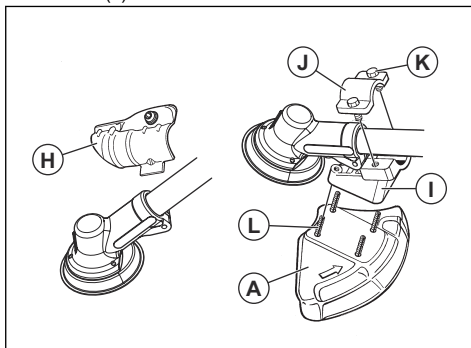
## Disko apsaugos ir pjūklo disko montavimas



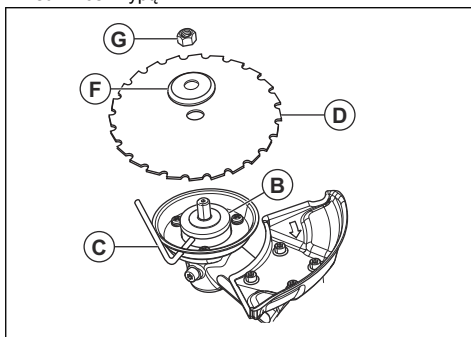
**PASTABA:** Naudokite tik patvirtintą peilių apsaugą. Žr. *Techniniai duomenys psl. 479.*

- Nuimkite tvirtinimo plokštę (H).

- Primontuokite adapterį (I) ir laikiklį (J) dviem varžtais (K).
- Primontuokite disko apsaugą (A) prie adapterio 4 varžtais (L).

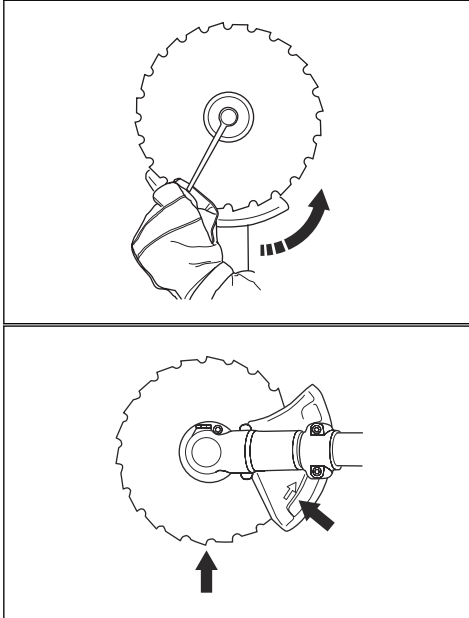


- Varantįjį diską (B) pritvirtinkite prie galios atidavimo veleno.
- Sukite disko veleną tol, kol viena iš varančiojo disko angų atsistos ties skylė pavarų dėžėje.
- Į angą įkiškite fiksavimo kaištį (C), kad jis gerai pritvirtintų veleną.
- Ant galios atidavimo veleno uždėkite peilio diską (D) ir atraminę jungę (F).
- Prisukite varžtą (G). Varžtės prisukimo momentas yra 35–50 Nm (3,5–5 kpm). Naudokite raktą su galvute iš įrankių rinkinio. Rakto rankeną laikykite kiek galima arčiau peilio apsaugos. Varžtė priveržiama sukant varžliarakčių prieš žoliapjovės sukimosi kryptį.



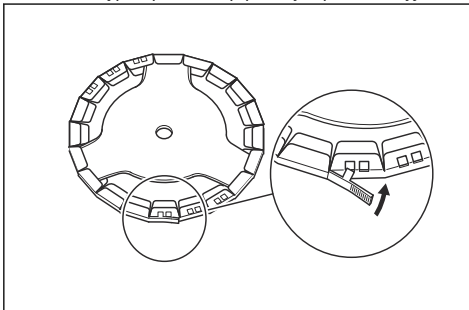
**Pasižymėkite:** Kairinis sriegis.

9. Atsukant ir veržiant pjovimo geležtės veržlę pjovimo geležtės ašmenys gali sužeisti. Todėl ranką visada laikykite prie disko apsaugos. Visada naudokite raktą su galvute, kurio pakankamai ilga rankena. Rodyklė diagramoje nurodo, kur derėtų laikyti uždedamą raktą su galvute atsukant ar priveržiant veržlę.



## Transportavimui skirto apsauginio elemento pritvirtinimas

1. Pritvirtinkite transportavimui skirtą apsauginį elementą prie peilio, kaip parodyta paveikslėlyje.



## Laikymo diržų reguliavimas



**PERSPĖJIMAS:** Įrenginys turi būti visada tinkamai prikabinamas prie laikymo diržų. Jei jis nepritvirtintas, gaminio negalėsite saugiai valdyti ir galite sužeisti save arba kitus. Nenaudokite pažeisto diržo. Nenaudokite laikymo diržų su sugedusiu greito atsegimo mechanizmu.

1. Užsidėkite laikymo diržus.
2. Prijunkite įrenginį prie diržo.
3. Sureguliuokite tinkamiausią darbinę diržo padėtį.
4. Sureguliuokite šoninius diržus taip, kad abu pečiai būtų vienodai apkrauti.



5. Sureguliuokite laikymo diržus taip, kad pjovimo įtaisas būtų lygiagrečiai su žemės paviršiumi.



6. Leiskite pjovimo įtaisui lengvai remtis į žemę. Sureguliuokite laikymo diržų sąvaržas, kad gaminys būtų tinkamai subalansuotas.

**Pasižymėkite:** Jei naudojate žolės pjovimo peilį, jis turi būti balansuojamas maždaug 10 cm / 4 col. virš žemės paviršiaus.

## Naudojimas



**PERSPĖJIMAS:** Prieš naudodami gaminį perskaitykite ir supraskite skyrių apie saugą.

## Įvadas



**PERSPĖJIMAS:** Prieš naudodami gaminį perskaitykite ir supraskite saugos skyriaus informaciją.

## Degalai

Įrenginys turi dvitaktį variklį.



**PASTABA:** Naudojant netinkamo tipo degalus gali būti sugadintas variklis. Naudokite benzino ir dvitaktių variklių alyvos mišinį.

## Iš anksto sumaišyti degalai

- Naudokite McCulloch iš anksto sumaišytus alkilintus degalus, siekdami geriausių rezultatų ir prailginti variklio tarnavimo laiką. Šiuose degaluose palyginti su įprastiniais degalais yra mažiau kenksmingų chemikalų, todėl sumažėja kenksmingų išmetamųjų dujų kiekis. Likučių po degimo kiekis yra mažesnis, naudojant šiuos degalus, todėl variklio komponentai išlieka švaresni.

## Degalų maišymas

### Benzinas

- Naudokite kokybišką bešvinį benzina, kurio etanolio koncentracija yra iki 10 %.



**PASTABA:** Nenaudokite benzino, kurio oktaninis skaičius yra mažesnis nei 90 RON/87 AKI. Naudojant žemesnio oktaninio skaičiaus degalus gali nesklaidžiai veikti variklis, tai pažeis variklį.

### Alyva dvitaktiams varikliams

- Siekdami geriausių rezultatų ir našumo, naudokite McCulloch dvitaktių variklių alyvą.
- Jei negalite gauti McCulloch dvitaktio variklio alyvos, naudokite geros kokybės dvitaktių variklių alyvą, skirtą oru aušinamiems varikliams. Norėdami išsirinkti tinkamą alyvą, kreipkitės į techninio aptarnavimo atstovą.



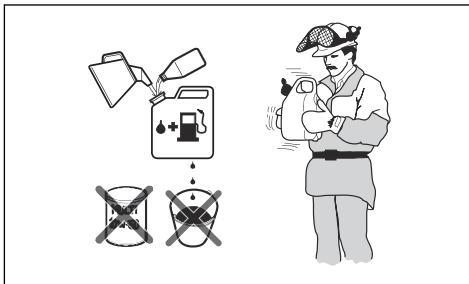
**PASTABA:** Niekada nenaudokite dvitaktės alyvos, skirtos vandeniu aušinamiems valčių varikliams, dar vadinamos valčių variklių alyva. Nenaudokite alyvos, skirtos keturtaktiams varikliams.

## Degalų ir dvitaktių variklių alyvos maišymas

Benzinas, litrais	Dvitaktio variklio alyva, litrais
	<b>2 % (50:1)</b>
5	0,10
10	0,20
15	0,30
20	0,40
JAV galonai	JAV skysčio uncijos
1	2 ½
2 1/2	6 ½
5	12 ¾



**PASTABA:** Maišant nedidelius degalų kiekius, nedidelė paklaida gali stipriai pakeisti mišinio santykį. Kruopščiai pamatuokite alyvos kiekį, kad gautumėte tinkamą mišinį.



- Pripildykite pusę kiekio degalų švarioje talpykloje degalams.
- Supilkite visą alyvos kiekį.
- Suplakite degalų mišinį.
- Tada supilkite likusią benzino dalį į talpyklą.
- Kruopščiai suplakite degalų mišinį.



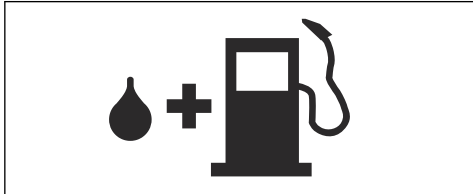
**PASTABA:** Nesumaišykite degalų ilgesniam nei 1 mėnesio laikotarpiui.

## Kuro bakelio užpildymas



**PERSPĖJIMAS:** Laikykitės procedūrų, kurios skirtos užtikrinti jūsų saugą.

1. Išjunkite variklį ir palaukite, kol jis atvės.
2. Nuvalykite sritį aplink kuro bakelio dangtelį.



3. Papurtykite talpyklą, kad degalai gerai susimaišytų.
4. Lėtai nuimkite kuro bakelio dangtelį, kad išleistumėte slėgį.
5. Užpildykite degalų bakelį.



**PASTABA:** Degalų bakelio neperpildykite. Degalams įkaitus šie plečiasi.

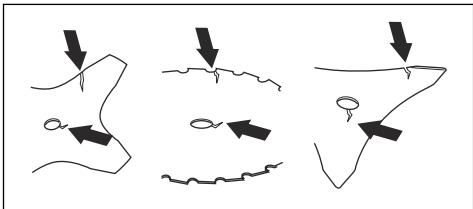
6. Stipriai užsukite degalų bakelio dangtelį.
7. Išvalykite išsiliejusius degalus art gaminio ir aplink jį.
8. Prieš paleidami gaminį visada patraukite jį 3 metrus / 10 pėdų nuo degalų pildymo vietos ir degalų talpyklos.

**Pasižymėkite:** Norėdami sužinoti, kur yra kuro bakelis jūsų gaminyje, žr. *Gaminio apžvalga psl. 457*.

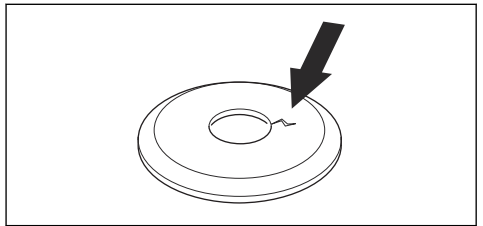
## Užvedimas ir išjungimas

### Veiksmai prieš naudojant įrenginį

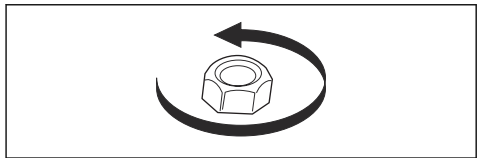
- Patikrinkite darbo zoną, kad išsiaiškintumėte reljefo pobūdį, grunto nuolydį ir galimas kliūtis, pavyzdžiui, akmenis, šakas ir griovius.
- Atlikite įrenginio nuodugnią patikrą.
- Atlikite šioje instrukcijoje aprašytas saugos patikras, priežiūros ir techninės priežiūros procedūras.
- Pasirūpinkite, kad visi dangčiai, apsaugai, rankenos ir pjovimo įranga būtų tinkamai pritvirtinti ir nesugadinti.
- Įsitinkinkite, kad pjūklo disko apačia, žolės disko dantys arba geležtės centrinė anga neįtrūkusi. Sugadintą geležtę pakeiskite.



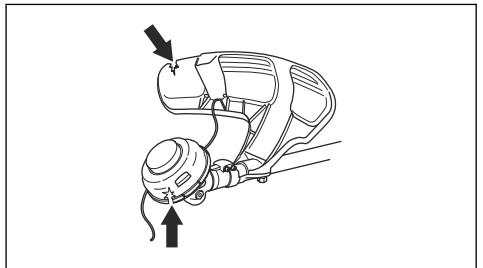
- Patikrinkite, ar neįtrūkusi atraminė jungė. Sugadintą atraminę jungę pakeiskite.



- Įsitinkinkite, kad neįmanoma ranka nusukti antveržlės. Jeigu ją galima nusukti ranka, vadinasi, pjovimo įtaisas tinkamai nefiksuoja ir antveržlę reikia keisti.



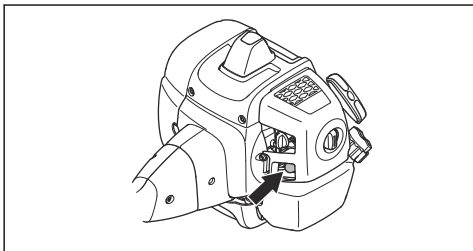
- Patikrinkite, ar nesugadinta ir neįskilusi geležtės apsauga. Jeigu geležtės apsauga buvo sutrenkta arba įskilusi, ją pakeiskite.
- Patikrinkite, ar nesugadinta ir neįskilusi žoliapjovės galvutė ir pjovimo įrangos apsauga. Sugadintą arba įskilusią žoliapjovės galvutę ir pjovimo įrangos apsaugą pakeiskite.



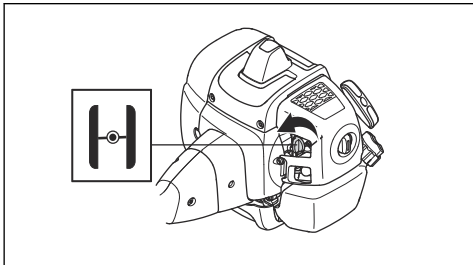
### Variklio užvedimas

1. Padėkite gaminį ant lygaus ir stabilaus paviršiaus. Pjovimo įtaisą laikykite virš žemės paviršiaus.

2. Kelis kartus paspauskite oro šalinimo siurbliuką, kol užsispildys degalais. Nebūtina visiškai pripildyti oro šalinimo siurbliuko.

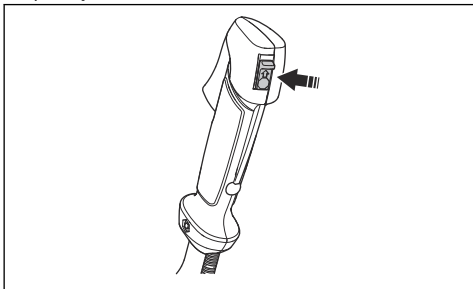


3. Oro sklendės svirtį perjunkite į uždarytą padėtį.

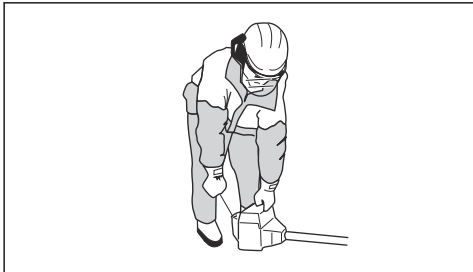


**PERSPĖJIMAS:** Paleidus variklį oro sklendės padėtyje, pjovimo įtaisas pradės iš karto sukstis.

4. Paleidimo / stabdymo jungiklį nustatykite į veikimo padėtį.



5. Laikykite gaminio korpusą ant žemės kairiąją ranka.



6. Dešine ranka laikykite starterio lynelį.

7. Dešine ranka lėtai patraukite starterio lynelį, kol pajausite tam tikrą pasipriešinimą.



**PERSPĖJIMAS:** Nevyniokite starterio virvės sau ant rankos.

8. Tada patraukite lynelį greitai ir iš jėgos. Patraukite starterio rankenėlę kelis kartus, kol variklis užsives.

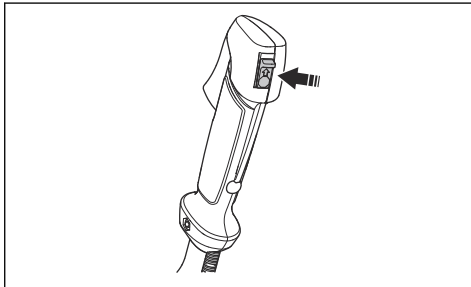


**PASTABA:** Netraukite starterio virvės iki galo ir staigiai nepaleiskite pilnai ištrauktos starterio virvės rankenėlės. Antraip galima sugadinti gaminį.

9. Kai variklis veikia, atstatykite oro sklendę.  
10. Paleidę variklį, akceleratorių spauskite palaipsniui.  
11. Įsitinkinkite, kad variklis veikia sklandžiai, ir leiskite varikliui išilti 1–2 minutes prieš pradėdami darbą.

### Gaminio sustabdymas

- Norėdami išjungti variklį, nspauskite stabdymo mygtuką.



### Atatranka

- Peilio atrama yra staigu gaminio judesys į šoną, priekį arba galą. Peilio atrama atsitinka, kai žolės peilis įsiremia į kliūtį, kurios negali nupjauti. Vietose, kuriose sunkiai matomas pjaunamas paviršius, peilio atramos rizika yra didesnė.
- Peilio atramos atveju kyla pavojus, kad gaminys arba jo naudotojas pasislinks į šalį. Pajudėjęs peilis gali kliudyti aplinkinius, todėl kyla sužeidimų pavojus.
- Jei peilis sulinksta, įskyla, nulūžta arba yra pažeidžiamas, peilį utilizuokite.
- Naudokite aštrius ašmenis. Peilio atramos pavojus padidėja, jei peilis neaštrus.

### Bendrieji darbo nurodymai



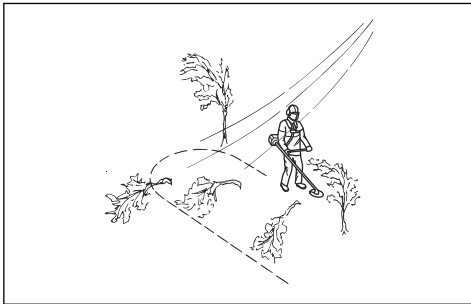
**PERSPĖJIMAS:** Pjaudami įtemptą medį būkite atsargūs. Prieš pjaunant arba baigus pjauti medis gal spyruokliuodamas grįžti į prastą padėtį, atsitrenkti į jus arba įrenginį ir sužeisti.



- Viename darbo zonos gale išvalykite atvirą plotą ir pradėkite dirbti nuo šios vietos.
- Darbo zonoje judėkite besikartojančia trajektorija.



- Įrenginį iki galo sukiokite į kairę ir dešinę, kad kaskart pasukdami išvalytumėte 4–5 m pločio ruožą.
- Išvalę 75 m ilgio ruožą apsisukite ir grįžkite atgal. Dirbdami su savimi neškitės degalų kanistrą.
- Judėkite tokia kryptimi, kad netektų bereikalingai kirsti griovių ir kliūčių.
- Judėkite tokia kryptimi, kad nupjauta augmenija pučiant vėjui kristų į išvalytą plotą.



- Judėkite skersai šlaito, o ne aukštyn ir žemyn.

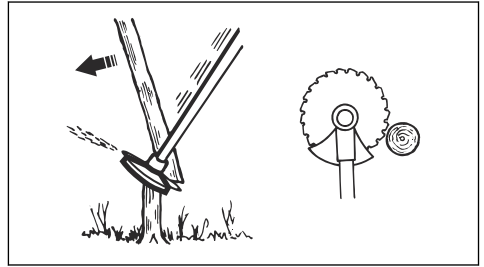
## Miško valymas naudojant pjūklą

### Medžio vertimas į kairę

Kad medis virstų kairėn, apatinę kamieno dalį stumkite dešinėn.

1. Iki galo nuspauskite akceleratorių.
2. Kaip vaizduojama paveiksle, spauskite pjūklą prieš medžio.

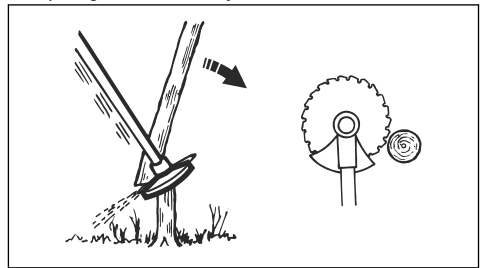
3. Paverskite pjūklą ir stipriai stumkite įstrižai žemyn ir į dešinę. Tuo pačiu metu geležtės apsauga stumkite medį.



### Medžio vertimas į dešinę

Kad medis virstų dešinėn, apatinę kamieno dalį stumkite kairėn.

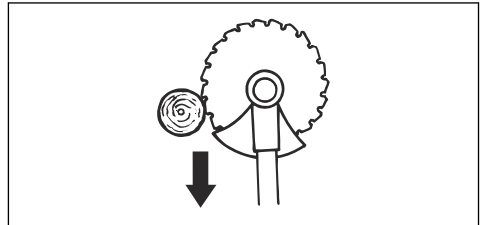
1. Iki galo nuspauskite akceleratorių.
2. Kaip vaizduojama paveiksle, spauskite pjūklą prieš medžio.
3. Paverskite pjūklą ir stipriai stumkite įstrižai aukštyn ir į dešinę. Tuo pačiu metu geležtės apsaugą stumkite medį.



### Medžio vertimas į priekį

Kad medis virstų į priekį, apatinę kamieno dalį stumkite atgal.

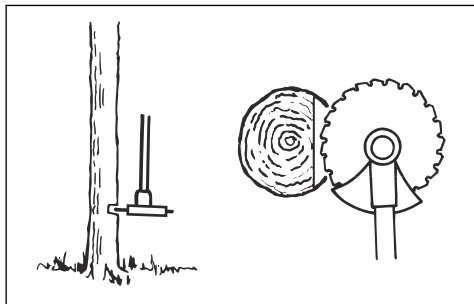
1. Iki galo nuspauskite akceleratorių.
2. Kaip vaizduojama paveiksle, spauskite pjūklą prieš medžio.
3. Greitu judesiu traukite pjūklą atgal.



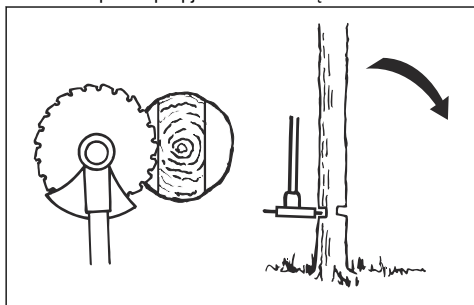
### Didelių medžių vertimas

Didelius medžius reikia pjauti iš dviejų pusių.

1. Nustatykite, kuria kryptimi virs medis.
2. Iki galo nuspauskite akceleratorių.
3. Pirmąjį pjūvį padarykite toje kamieno pusėje, į kurią virs medis.



4. Iš kitos pusės perpjaukite kamieną.



**PASTABA:** Jeigu pjūklo diskas įstrigtų, netraukite įrenginio staigiu judesiu, nes antraip gali būti sugadintas pjūklo diskas, kampinė pavara, velenas arba valdymo rankena. Paleiskite rankenas ir, abiem rankomis tvirtai suėmę už veleno, atsargiai ištraukite įrenginį.

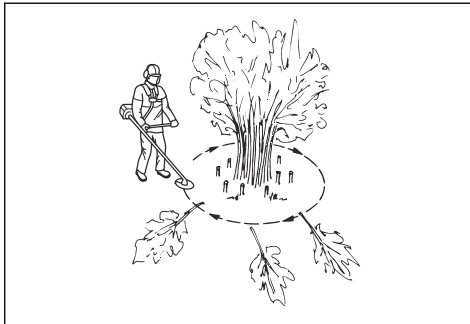
**Pasižymėkite:** Pjaudami plonus medžius pjūklo diską spauskite stipriau. Pjaudami storus medžius pjūklo diską spauskite silpniau.

## Krūmų pjovimas pjūklo disku

Kad krūmai virstų kairėn, apatinę kamieno dalį stumkite dešinėn.

- Nupjaukite plonus medžius ir krūmus.
- Judinkite įrenginį iš vienos pusės į kitą.
- Vienu judesiu nupjaukite daug medelių.

- Grupėmis augančių plonų medelių pjovimas:



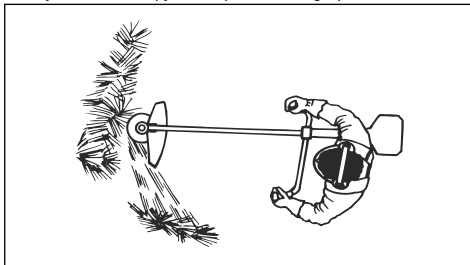
- a) išorinius medelius nupjaukite didesniu aukščiu;
- b) išorinius medelius nupjaukite reikiamu aukščiu;
- c) pjaukite iš vidurio. Jeigu vidurys neprieinamas, didesniu aukščiu nupjaukite išorinius medelius ir leiskite jiems nuvirsti. Šiuo būdu sumažėja pavojus, kad pjūklo diskas įstrigs.

## Žolės valymas naudojant žolės pjovimo peilį



**PASTABA:** Žolės pjovimo peilių ir geležčių nenaudokite medžiams pjauti. Žolės pjovimo peiliais ir geležtėmis pjaukite tik ilgą ir storą žolę.

- Judinkite gaminį iš vienos pusės į kitą.
- Pjaudami pradėkite judinti iš dešinės į kairę. Prieš vėl pjaudami pasukite įrenginį į dešinę.
- Pjaukite žolės pjovimo peilio kairiąja puse.



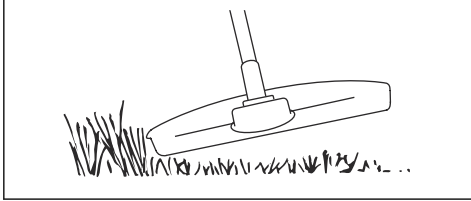
- Paverskite žolės pjovimo peilį, kad žolė kristų tiesiai linija. Taip galima lengviau surinkti nupjautą žolę.
- Stovėkite stabiliai, prasižergę.
- Po kiekvieno judesio į dešinę ženkite į priekį ir pasirūpinkite, kad prieš pradėdami kitą pjūvį vėl stovėtumėte stabiliai.
- Atraminį gaubtą nestipriai spauskite į žemę, kad žolės pjovimo peilis neatsitrenktų į žemę.
- Kad nupjauta medžiaga neapsivyniotų aplink žolės pjovimo peilį, laikykitės toliau pateiktų nurodymų.
  - a) Iki galo nuspauskite akceleratorių.

- b) Judindami įrenginį iš kairės į dešinę netraukite žolės pjovimo peilio per nupjautą medžiagą.
- Prieš rinkdami nupjautą medžiagą išjunkite variklį ir atsekite įrenginį nuo diržų. Padėkite įrenginį ant žemės

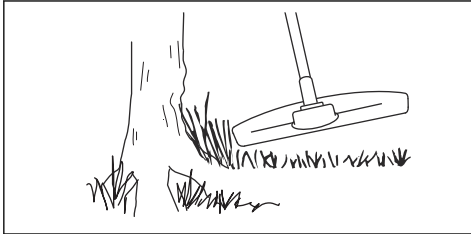
## Žolės pjovimas žoliapjovės galvute

### Žolės trumpinimas

1. Kampu pasuktą žoliapjovės galvutę laikykite prie pat žemės. Nespauskite žoliapjovės lanelio prie žolės.



2. Sutrumpinkite žoliapjovės lanelį 10–12 cm / 4–4,75 col.
3. Sumažinkite variklio apsukas, kad sumažintumėte augalams keliamą pavojų.
4. Pjaudami žolę greta kitų objektų, naudokite 80 % variklio galios.



### Aukštos žolės pjovimas

1. Laikykite žoliapjovės galvutę virš žemės.
2. Pakreipkite žoliapjovės galvutę.
3. Pjaukite pjovimo lynelio galiuku aplink darbo vietoje esančius daiktus.

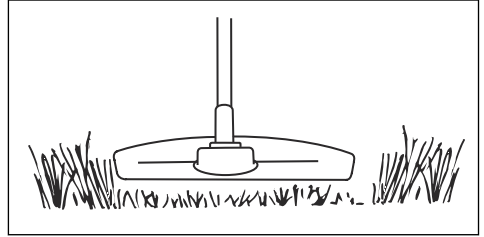


**PASTABA:** Pjaukite tik žolę. Pjovimo lynelis greičiau nusidėvi, jei juo užkliudomi kiti daiktai.

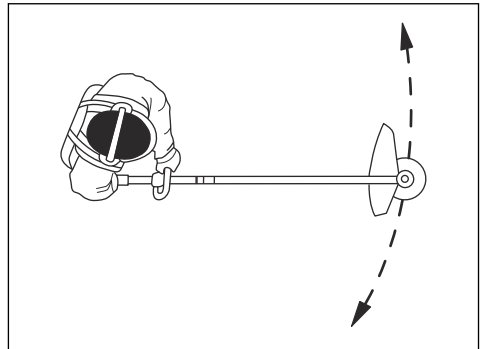
4. Pjaudami augmeniją naudokite 80 % greitį. Tai sumažina žoliapjovės galvutės ir pjovimo lynelio nusidėvėjimą.

## Žolės pjovimas

1. Pjaudami žolę stenkitės pjovimo lynelį laikyti lygiagrečiai žemei.



2. Nespauskite žoliapjovės galvutės prie žemės. Antraip galima sugadinti gaminį.
3. Pjaudami žolę judinkite įrenginį iš vienos pusės į kitą. Naudokite maksimalias apsukas.



## Žolės šlavimas

Besisukančio žoliapjovės lino sukuriama oro srautu galima iš teritorijos pašalinti nupjautą žolę.

1. Laikykite žoliapjovės galvutę ir žoliapjovės lyną lygiagrečius žemės paviršiui ir aukščiau jo.
2. Iki galo nuspauskite akceleratorių.
3. Judinkite žoliapjovės galvutę iš vienos pusės į kitą ir taip šluokite žolę.



**PERSPĖJIMAS:** Kaskart dėdami naują žoliapjovės lyną nuvalykite žoliapjovės galvutę, kad ji neišsibalansuotų ir neviruotų rankenos. Be to, patikrinkite ir prireikus valykite kitas žoliapjovės galvutės dalis.

# Techninė priežiūra

## Įvadas



**PERSPĖJIMAS:** Prieš prižiūrėdami produktą, perskaitykite ir supraskite saugos skyrių.

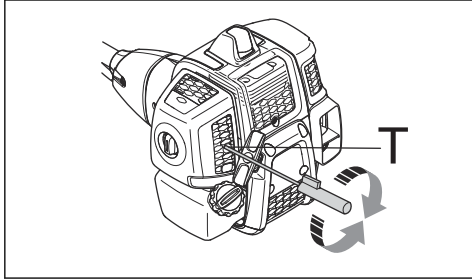
## Techninės priežiūros grafikas

Techninė priežiūra	Kasdien	Savaitinė	Kas mėnesį
Nuvalykite išorinį paviršių.	X		
Patikrinkite, ar nesugadinti diržai.	X		
Patikrinkite akceleratoriaus gaiduko fiksatorių ir akceleratoriaus gaiduką. Žr. <i>Akceleratoriaus gaiduko fiksatoriaus patikra psl. 461.</i>	X		
Patikrinkite, ar nesugadinta ir tinkamai pritvirtinta rankenėlė bei rankena.	X		
Patikrinkite stabdymo jungiklį. Žr. <i>Stabdymo jungiklio patikra psl. 462.</i>	X		
Įsitinkite, kad varikliui veikiant tuščiaja eiga pjovimo įtaisais nesisuka.	X		
Išvalykite oro filtrą. Priešingu atveju detalę pakeiskite nauja.	X		
Apžiūrėkite, ar nesugadinta ir neištrūkusi pjovimo įtaiso apsauga.	X		
Įsitinkite, kad pjūklo diskas arba žolės pjovimo peilis pritvirtinti tinkamai. Įsitinkite, kad pjūklo diskas arba žolės pjovimo peilis yra aštrūs ir nepažeisti.	X		
Patikrinkite, ar nesugadinta ir neištrūkusi žoliapjovės galvutė. Priešingu atveju detalę pakeiskite nauja.	X		
Iki galo priveržkite pjovimo įtaisų veržlę.	X		
Patikrinkite, ar nesugadinta gabenimo apsauga ir įsitinkite, kad ją galima tinkamai uždėti.	X		
Priveržkite veržles ir varžtus.	X		
Patikrinkite variklį, degalų bakelį ir degalų žarneles, ar nėra nuotėkio.	X		
Patikrinkite, ar nesugadintas starteris ir starterio virvė.		X	
Patikrinti uždegimo žvakę. Žr. <i>Uždegimo žvakės tikrinimas psl. 478.</i> Esant reikalui pakeiskite uždegimo žvakę. Įsitinkite, kad degimo žvakėje yra slopintuvas.		X	
Išvalykite karbiuratoriaus išorinį paviršių ir plotą aplink jį.		X	
Būtinai patikrinkite, ar kampinė pavara tinkamai pripildyta tepalo. Žr. <i>Kampinė pavara psl. 478.</i>		X	
Patikrinkite, ar neužterštas degalų filtras, neištrūkusi ir kitaip nesugadinta degalų žarnelė. Jei reikia, pakeiskite.			X
Patikrinkite visus laidus ir jungtis.			X
Pakeiskite uždegimo žvakę. Įsitinkite, kad degimo žvakėje yra slopintuvas.			X

## Greičio tuščiaja eiga reguliavimas

Didelio greičio ir mažo greičio diskiniai vožtuvai yra fiksuoti, jų reguliuoti negalima. Greitis tuščiaja eiga yra vienintelė funkcija, kurią galima reguliuoti.

1. Paleiskite variklį ir prieš pradėdami reguliuoti tuščiosios eigos greitį įsitinkinkite, kad variklis įšilęs.
2. Pirmiausia greičio tuščiaja eiga varžtą sukite pagal laikrodžio rodyklę, kol pjovimo įtaisas pradės sukstis.



3. Greičio laisvąją eiga varžtą sukite prieš laikrodžio rodyklę, kol pjovimo įtaisas sustos.
4. Greitis tuščiaja eiga turi būti mažesnis nei greitis, kuriam esant pradeda sukstis pjovimo įtaisas. Greitis tuščiaja eiga yra tinkamas, kai variklis tolygiai veikia visose padėtyse.

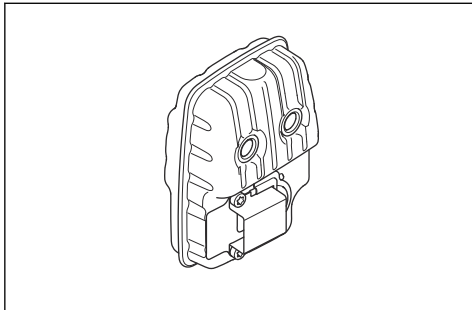
## Duslintuvo priežiūra

Duslintuvus mažina triukšmo lygį ir nukreipia išmetamąsias dujas nuo naudotojo.

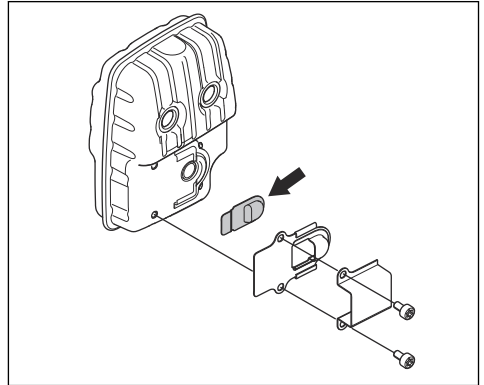


**PERSPĖJIMAS:** Duslintuvai, kuriuose yra katalizatorius, eksploatuojant stipriai įkaista ir kurį laiką lieka karšti sustabdžius gaminį. Tai vyksta ir dirbant tuščiaja eiga. Palietę gaminį, galite nudegti odą. Atsiminkite, kad yra gaisro pavojus.

1. Išjunkite produktą ir atvėsite.
2. Išimkite duslintuvą.



3. Išsukite varžtus, laikančius kibirkščių gesinimo tinklelį.



4. Nuvalykite kibirkščių gesinimo tinklelį, jei jis užsikimšęs, arba pakeiskite, jei pažeistas.



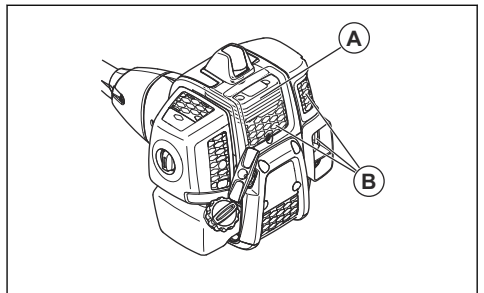
**PASTABA:** Pažeistą kibirkščių gesinimo tinklelį reikia pakeisti. Nenaudokite gaminio, jeigu ant duslintuvo nėra kibirkščių gesinimo tinklelio arba jis pažeistas.



**PASTABA:** Jei kibirkščių gesinimo tinklelis dažnai užsikemša, tai gali reikšti, kad blogai veikia katalizatorius. Dėl duslintuvo patikrinimo kreipkitės į techninės priežiūros atstovą. Dėl užsikimšusio kibirkščių gesinimo tinklelio įrenginys gali perkaisti ir pažeisti cilindrą bei stūmoklį.

## Aušinimo sistemos valymas / priežiūra

Šiame įrenginyje yra aušinimo sistema. Jei aušinimo sistema nešvari ar užsikimšusi, įrenginys gali perkaisti, o tai gali pažeisti cilindrą ir stūmoklį. Patikrinkite ir išvalykite aušinimo sistemą kartą per savaitę arba dažniau, jei to reikalauja naudojimo sąlygos. Aušinimo sistema turi aušinimo junges ant cilindro (A) ir oro įsiurbimo (B).



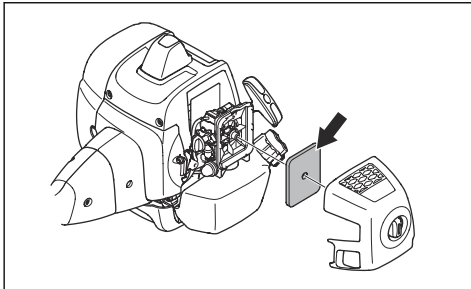
## Oro filtras

Užsiteršus oro filtrui gali sutrikti karbiuratoriaus veikla, sunkiai užsivesti variklis, sumažėti variklio galia ir greičiau dėvėtis variklio dalys. Be to, bereikalingai padidėja degalų sąnaudos. Filtrą valykite kas 8 valandas, o jeigu įrenginį naudojate dulkinoje aplinkoje – dažniau.

**Pasižymėkite:** Išvalius arba pakeitus oro filtrą gali reikėti sureguliuoti variklį. Žr. *Greičio tuščiąja eiga reguliavimas psl. 477*

## Oro filtro valymas ir apžiūra

1. Išimkite oro filtrą.



2. Išvalykite veltinį oro filtrą suspaustu oru.

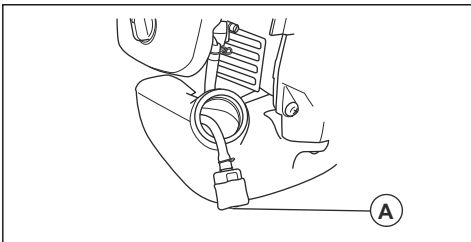


**PASTABA:** Pakeiskite veltinį oro filtrą, jei jo negalima visapusiškai išvalyti. Visada pakeiskite pažeistą veltinį oro filtrą.

3. Nuvalykite oro filtro dangčio vidinį paviršių. Valykite suslėgtu oru arba šepetėliu.

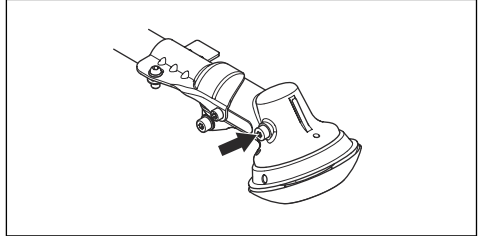
## Degalų filtras

Jei variklis pritrūksta degalų, įsitikinkite, kad degalų bakelio dangtelyje esanti skylutė ir degalų filtras (A) yra švarūs.



## Kampinė pavara

Kampinė pavara yra pakankamai gerai sutepta gamykloje. Tačiau prieš naudodami gaminį, patikrinkite, ar kampinė pavara 3/4 užpildyta tepalu. Naudokite McCulloch specialų tepalą.



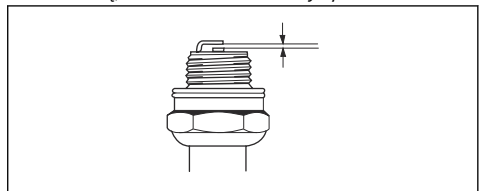
Nebūtina pakeisti kampinės pavaros tepalo, nebent kampinė pavara būtų remontuojama.

## Uždegimo žvakės tikrinimas



**PASTABA:** Visada naudokite rekomenduojamo tipo žvakės. Netinkamo tipo uždegimo žvakė gali pažeisti gaminį.

- Patikrinkite uždegimo žvakę, jei variklio galingumas mažas, jį sunku paleisti arba jis netinkamai veikia tuščiąja eiga.
- Norėdami sumažinti pašalinių medžiagų atsiradimą ant uždegimo žvakės elektrodų, laikykitės šių instrukcijų:
  - a) Įsitikinkite, kad tinkamai sureguliuotas greitis tuščiąja eiga.
  - b) Įsitikinkite, kad naudojate tinkamą kuro mišinį.
  - c) Patikrinkite, ar oro filtras yra švarus.
- Jeigu uždegimo žvakė purvina, nuvalykite ją ir patikrinkite, ar nustatytas tinkamas tarpas tarp elektrodų, žr. *Techniniai duomenys psl. 479*.



- Esant reikalui pakeiskite uždegimo žvakę.

## Techniniai duomenys

	B40 B Elite	B40 BT Elite
<b>Variklis</b>		
Cilindro darbinis tūris, cm <sup>3</sup>	40,1	40,1
Cilindro skersmuo, Ø mm	40,5	40,5
Cilindro takto ilgis, mm	31,1	31,1
Greitis tuščiaja eiga, aps./min.	3000	3000
Rekomenduojamos maks. apskukos be apkrovos, r/min	12000	12000
Galios atidavimo veleno greitis, aps./min	8220	8220
Didžiausioji variklio galia pagal ISO 8893, kW esant aps./min.	1,5 esant 9000	1,5 esant 9000
<b>Uždegimo sistema</b>		
Degimo žvakė	NGK CMR7H-10	NGK CMR7H-10
Tarpas tarp elektrodų, mm	0,9–1,0	0,9–1,0
<b>Degalų ir tepimo sistema</b>		
Gamintojas / karbiuratoriaus tipas	Ruixing H225D-	Ruixing H225D-
Degalų bakelio talpa, l/cm <sup>3</sup>	1/1000	1/1000
<b>Svoris</b>		
Svoris be degalų, pjovimo įtaiso ir apsaugo, kg	7,3	7,4
<b>Skleidžiamas triukšmas<sup>52</sup></b>		
Garso galios lygis, matuojamas dB (A)	112	112
Garso galios lygis, garantuojamas L <sub>WA</sub> dB (A)	118	118
<b>Triukšmo lygiai<sup>53</sup></b>		
Ekvivalentinis garso slėgio lygis ties naudotojo ausimis, išmatuotas pagal EN ISO 11806 ir ISO 22868, dB(A), min. / maks.		
Su originalia žoliapjovės galvute	100	100
Su originaliu žolės pjovimo peiliu	99	99
Su originaliu pjūklo disku	–	99

<sup>52</sup> Triukšmas, skleidžiamas į aplinką, išmatuotas kaip garso galia (L<sub>WA</sub>) pagal EB direktyvą 2000/14/EB. Pateiktas įrenginio garso stiprumo lygis buvo išmatuotas naudojant didžiausią garsą sukeltantį originalų pjovimo įtaisą. Skirtumas tarp garantuojamos ir išmatuotos garso galios yra tas, kad pagal Direktyvą 2000/14/EB garantuojama garso galia apima ir matavimo rezultatų sklaidą bei nukrypimus tarp skirtingų to pačio modelio įrenginių.

<sup>53</sup> Pateikiamų ekvivalentinio garso slėgio duomenų būdingoji statistinė sklaida (standartinis nuokrypis) lygi 1 dB (A).

	B40 B Elite	B40 BT Elite
<b>Vibracijos lygis<sup>54</sup></b>		
Ekvivalentiški rankenų vibracijos lygiai ( $a_{hv,eq}$ ), išmatuoti pagal EN ISO 11806 ir ISO 22867, m/s <sup>2</sup>		
Su originalia kairiaja / dešiniąja žoliapjovės galvute	3,4/4,4	3,4/4,4
Su originaliu kairiuoju / dešiniu žolės pjovimo peiliu	5,2/5,1	5,2/5,1
Su originaliu pjūklo disku, kairėje / dešinėje	–	4,5/4,2

<b>B40 B Elite, B40 BT Elite</b>		
Patvirtinti priedai	Tipas	Pjovimo įrangos apsauginis elementas, gam. nr.
Centrinė kiaurymė geležtėse / peiliuose Ø 25,4 mm		
M12 sriegio galios atidavimo velenas		
Žolės pjovimo peilis / žolės pjovimo įtaisas	Žolės pjovimo peilis 255-4, 1 col. (Ø 255, 4 dantys)	580 30 50-01
	Žolės pjovimo peilis 255-3 (Ø 255 3 dantys)	580 30 50-01
Pjūklo diskas	Pjūklo diskas 200-22 (ø 200, 22 dantys)	581 33 84-01
Žoliapjovės galvutė	P35	580 30 50-01
Atraminis gaubtas	Standi	–

<sup>54</sup> Pateiktuose vibracijos lygio duomenyse yra 1 m/s<sup>2</sup> tipiška statistinė sklaida (standartinis nuokrypis).



---

# EB atitikties deklaracija

---

## EB atitikties deklaracija

**Husqvarna AB**, SE-561 82 Huskvarna, Švedija, tel.: +46-36-146500, patvirtina, kad žoliajovės **McCulloch B40 B Elite**, kurių serijos numeriai yra 2021 ir vėlesni (metai aiškiai nurodyti ant vardinių parametru plokštelių, po jų – serijos numeris), atitinka šių TARYBOS DIREKTYVŲ reikalavimus:

- 2006 m. gegužės 17 d. Direktyvos **2006/42/EB** dėl mašinų;
- 2014 m. vasario 26 d. direktyvos **2014/30/ES** dėl elektromagnetinio suderinamumo.
- 2000 m. gegužės 8 d. Direktyvos **2000/14/EB** dėl į aplinką skleidžiamo triukšmo. Atitikties įvertinimas remiantis V priedu. Daugiau informacijos apie triukšmo emisiją žr. sk. „Techniniai duomenys“.
- 2011 m. birželio 8 d. Direktyvos **2011/65/ES** dėl tam tikrų pavojingų medžiagų naudojimo elektros ir elektroninėje įrangoje apribojimo.

Taikyti šie standartai:

**EN ISO 12100:2010, CISPR 12:2007+A1:2009, EN ISO 14982:2009, EN ISO 11806-1:2011, EN IEC 63000:2018**

RISE SMP Svensk Maskinprovning AB, Box 7035, SE-750 07 Uppsala, Sweden atliko savanorišką tipo tyrimą Husqvarna AB vardu. Serifikatų numeriai: **SEC/12/2339** - B40 B Elite, B40 BT Elite

„RISE SMP Svensk Maskinprovning AB“ taip pat patikrino V priedo atitiktį Tarybos direktyvos 2000/14/EG reikalavimams.

Huskvarna, 2020-08-25



Pär Martinsson, plėtros vadovas (igaliotasis „Husqvarna AB“ atstovas, atsakingas už techninę dokumentaciją)

---

## Obsah

---

Úvod.....	482	Údržba.....	502
Bezpečnosť.....	485	Technické údaje.....	505
Montáž.....	493	ES vyhlásenie o zhode.....	508
Prevádzka.....	496	.....	0

---

## Úvod

---

### Popis výrobku

Tento výrobok je krovínorez so spaľovacím motorom.

Neustále pracujeme na tom, aby sme zabezpečili vyššiu bezpečnosť a efektívnosť počas prevádzky. Ak potrebujete ďalšie informácie, obráťte sa na servisného predajcu.

### Plánované použitie

Osadte výrobok pílovým kotúčom, nožom na trávu alebo vyžínacou hlavou a využite ho na kosenie rôznych druhov rastlín. Výrobok nepoužívajte na iné účely ako

kosenie či vyžínanie trávnatého porastu alebo prerezávanie lesného porastu. Pílový kotúč slúži na rezanie vláknitých druhov dreva. Nôž na trávu a vyžínacia hlava slúžia na kosenie trávy.

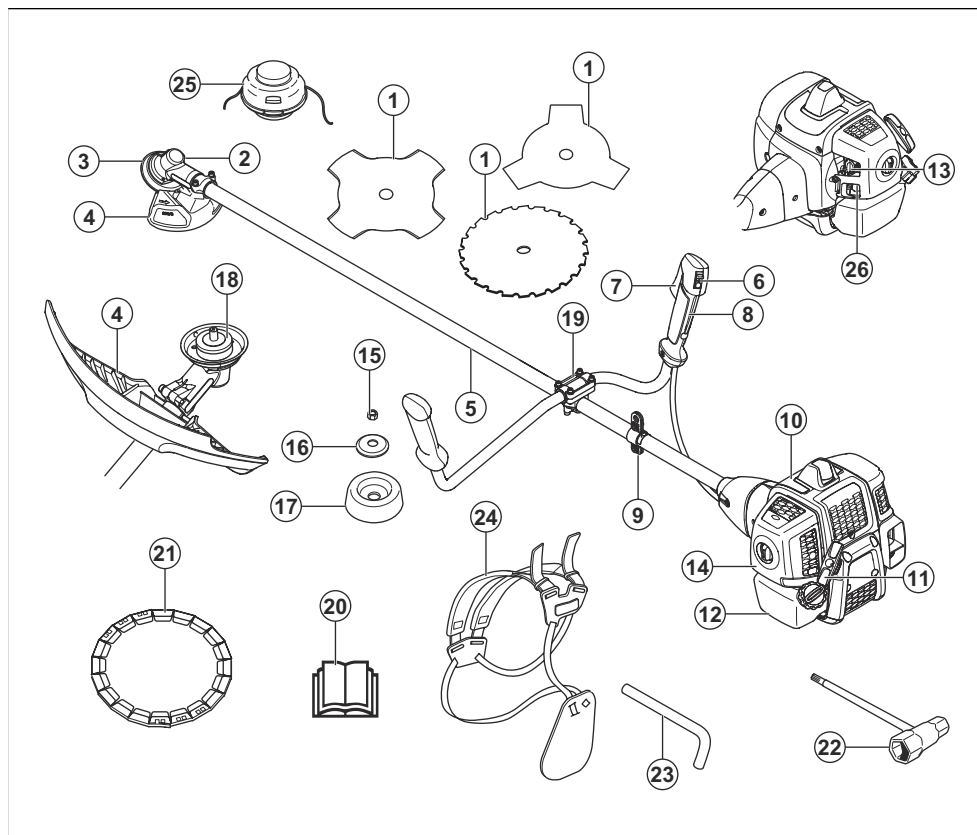
---

**Poznámka:** Použitie môže byť regulované vnútroštátnymi alebo miestnymi predpismi. V súlade s danými predpismi.

---

S výrobkom používajte iba príslušenstvo schválené výrobcom. Pozrite si časť *Technické údaje na strane 505*.

## Prehľad výrobku



1. Nôž (nie pre všetky trhy)
2. Viečko plniaceho otvoru maziva, kužeľový prevod
3. Kužeľové ozubené koleso
4. Kryt rezacieho nadstavca
5. Hriadeľ
6. Vypínač
7. Páčka plynu
8. Poistná páčka plynu
9. Závesný krúžok
10. Kryt valca
11. Rukoväť štartovacieho lanka
12. Palivová nádrž
13. Ovládanie sýtiča
14. Kryt vzduchového filtra
15. Poistná matica
16. Podporná prírubca
17. Podporná miska
18. Hnací disk

19. Úchytka riadiel
20. Návod na obsluhu
21. Prepravný kryt (nie pre všetky trhy)
22. Nástrčkový kľúč
23. Poistný kolík (pre výrobky bez imbusového kľúča)
24. Popruh
25. Vyžínacia hlava
26. Balónik pumpy

### Symbole na výrobku



**UPOZORNENIE!** Tento výrobok je nebezpečný. V prípade neopatrného a nesprávneho použitia výrobku môže dôjsť k zraneniu alebo usmrteniu obsluhu alebo osôb v okolí. V záujme predchádzania zraneniam obsluhu a osôb v okolí si prečítajte a dodržiavajte všetky bezpečnostné pokyny v návode na obsluhu.



Skôr než začnete produkt používať, pozorne si prečítajte návod na obsluhu a dôsledne sa oboznámte s pokynmi.



V miestach, kde na vás niečo môže spadnúť, používajte ochrannú prilbu. Používajte schválené chrániče sluchu. Používajte schválené chrániče očí.



Používajte schválené ochranné rukavice.



Používajte odolné protišmykové topánky.



Počas používania sa môžu od výrobku odraziť predmety a spôsobiť poranenie.



Maximálne otáčky výstupného hriadeľa.



Počas používania výrobku zachovávajte minimálnu vzdialenosť 15 metrov/50 stôp od ľudí a zvierat.



V prípade, že sa rezné zariadenie dotkne predmetu, ktorý nie je možné priamo prerezať, hrozí riziko odrazenia noža. Výrobok je schopný odrezať časť tela. Počas používania výrobku zachovávajte minimálnu vzdialenosť 15 metrov/50 stôp od ľudí a zvierat.



Používajte iba pružné rezacie lanko. Nepoužívajte kovové rezacie články. Použite tento prvok na osadenie krycieho nástavca na trávnu.



Šípky ukazujú obmedzenie polohy rukoväti.



Balónik pumpy.



Doplňte palivo.



Sýtič.



Emisie hluku do okolia podľa európskej smernice 2000/14/EÚ a legislatívy v štáte New South Wales „Protection of the Environment Operations (Noise Control) Regulation 2017“ (Nariadenie o ochrane životného prostredia pri prevádzke (kontrola hluku) z roku 2017). Údaje o emisii hluku možno nájsť na štítku stroja a v časti *Technické údaje na strane 505*.



Tento výrobok je v súlade s príslušnými smernicami ES.

rrrtbxxx

Výkonový štítok alebo laserová tlač zobrazuje výrobné číslo. **yyyy** je rok výroby a **ww** je týždeň výroby.

**Poznámka:** Ostatné symboly/emblémy na výrobku odkazujú na požiadavky certifikácie pre ďalšie komerčné oblasti.

## Zodpovednosť za výrobok

V súlade s právnymi predpismi upravujúcimi zodpovednosť za výrobok nenesieme zodpovednosť za škody spôsobené našim výrobkom v dôsledku:

- nesprávne vykonanej opravy výrobku,
- opravy výrobku, pri ktorej neboli použité diely od výrobcu alebo diely schválené výrobcom,
- používania príslušenstva od iného výrobcu alebo príslušenstva, ktoré nie je schválené výrobcom,
- opravy výrobku, ktoré neboli vykonané v schválenom servisnom stredisku alebo schválenými kompetentnými osobami.

## Emisie Euro V



**VÝSTRAHA:** Nepovolená manipulácia s motorom ruší platnosť typového schválenia tohto výrobku pre EÚ.

# Bezpečnosť

## Bezpečnostné definície

Nižšie uvedené definície označujú úroveň závažnosti pre každé signálne slovo.



**VÝSTRAHA:** Poranenie osôb.



**VAROVANIE:** Poškodenie výrobku.

**Poznámka:** Táto informácia napomáha k jednoduchšiemu používaniu výrobku.

## Všeobecné bezpečnostné pokyny



**VÝSTRAHA:** Skôr než budete výrobok používať, prečítajte si nasledujúce výstrahy.

- Tento výrobok vytvára počas prevádzky elektromagnetické pole. Toto pole môže za určitých okolností spôsobovať rušenie aktívnych alebo pasívnych implantovaných lekárskeho prístrojov. Na zníženie rizika vážneho alebo smrteľného zranenia odporúčame, aby sa osoby s implantovanými lekárskeho prístrojmi poradili so svojim lekárom a výrobcom pomôcky ešte pred použitím tohto výrobku.
- Výrobok nepoužívajte, ak ste unavení, chorí alebo ste pod vplyvom alkoholu, drog alebo liekov. Vyššie uvedené prípady majú negatívny vplyv na váš zrak, ostražitosť, koordináciu a úsudok.
- Výrobok nepoužívajte v nepriaznivých podmienkach, ako sú hustá hmla, silný dážď a vietor alebo silná zima. Používanie výrobku v nepriaznivom počasí môže viesť k zvýšenej únave a vzniku výrazných rizík, napríklad v dôsledku poľadovice alebo nepredvídateľného smeru rezania.
- Vždy zachovávajte opatrnosť a riadte sa zdravým úsudkom. Ak sa po prečítaní návodu na obsluhu cítite neistí v súvislosti s pracovnou situáciou alebo prevádzkovými postupmi, než budete pokračovať, obráťte sa na servisného zástupcu.
- Ak ponechávate výrobok mimo dohľadu, vyberte kryt zapaľovacej sviečky.

## Bezpečnostné pokyny pre montáž



**VÝSTRAHA:** Skôr než budete výrobok používať, prečítajte si nasledujúce výstrahy.

- Pri montáži produktu a rezacieho nástavca používajte ochranné rukavice.
- Pred zatažením výrobku odpojte kryt zapaľovacej sviečky od zapaľovacej sviečky.
- Pred obsluhou výrobku skontrolujte, či je namontovaná správna rukoväť a kryt rezacieho nástavca.
- Poškodený alebo nesprávny kryt rezacieho nástavca môže spôsobiť zranenie. Nepoužívajte rezací nástavec bez schváleného ochranného krytu.
- Pred naštartovaním výrobku správne nasadte kryt spojky a hriadeľa.
- Hnací disk a podporná príruka musia byť správne uchytené v stredovom otvore rezacieho nástavca. Nesprávne nasadenie rezacieho nástavca môže viesť k zraneniu alebo usmrteniu.
- K výrobku pripojte popruh, aby ste zabránili zraneniu používateľa alebo iných osôb.

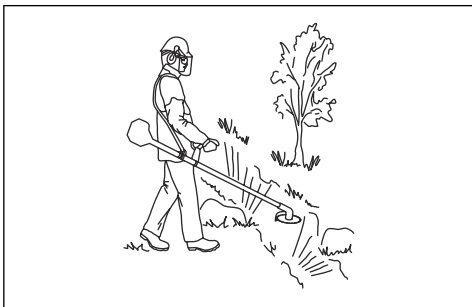
## Bezpečnostné pokyny pre prevádzku



**VÝSTRAHA:** Skôr než budete výrobok používať, prečítajte si nasledujúce výstrahy.

- Pred použitím výrobku sa oboznámte a ujasnite si rozdiely medzi prerezávaním lesného porastu, kosením trávového porastu a vyžínaním.
- Používajte osobné ochranné prostriedky. Pozrite si časť *Osobné ochranné prostriedky na strane 486*.
- Dlhodobé vystavenie sa hluku môže spôsobiť trvalé poškodenie sluchu. Vždy používajte schválené chrániče sluchu.
- Počas používania chráničov sluchu venujte pozornosť výstražným signálom a zvýšeným hlasom. Keď sa motor zastaví, vždy si zložte chrániče sluchu.
- Výrobok nikdy nepoužívajte, ak je upravený alebo poškodený.
- Skontrolujte, či nie sú kryt zapaľovacej sviečky a zapaľovací vodič poškodené, aby ste predišli riziku zásahu elektrickým prúdom.
- Sledujte okolie pracovnej plochy, aby bezpečné používanie výrobku neohrozili žiadne osoby, zvieratá ani predmety.
- Sledujte okolie pracovnej plochy a dbajte, aby sa žiadne osoby ani zvieratá nedotkli rezacieho nástavca, ani ich nezasiahli predmety, ktoré by rezací nástavec mohol vymrštiť.
- Nepoužívajte výrobok v situáciách či na miestach, kde by v prípade nehody nebolo možné zabezpečiť žiadnu pomoc.
- Výrobok nepoužívajte bez schváleného krytu rezacieho nástavca.

- Dbajte na to, aby sa počas práce nepriblížili žiadne osoby ani zvieratá na vzdialenosť menšiu ako 15 metrov/50 stôp. Keď sa s výrobkom otáčate, vždy najprv pozrite za seba. Ak sa do bezpečnostnej zóny s polomerom 15 metrov/50 stôp dostane osoba alebo zviera, výrobok ihneď zastavte. Ak v rovnakej oblasti pracuje viac než 1 osoba obsluhujúca výrobok, zachovávajújte odstup zodpovedajúci minimálne 2-násobku výšky daného stromu a zároveň minimálne 15 metrov/50 stôp.
- Skontrolujte pracovnú plochu. Odstráňte všetky voľné predmety, ako sú kamene, úlomky skla, klice, ocelové drôty, šnúry a pod., ktoré by mohol rezací nadstavec vymrštiť alebo by sa okolo neho mohli obmotat'.
- Uistite sa, že sa môžete bezpečne pohybovať a bezpečne stáť. Skontrolujte oblasť, či sa v nej nenachádzajú prekážky, ako sú korene, skaly, vetvy a priekopy. Počas práce na svahoch postupujte opatrne.



- Nenaťahujte sa príliš ďaleko. Vždy spočívajte nohami pevne na zemi a zachovávajújte dobrú rovnováhu.
- Než výrobok naštartujete, umiestnite ho na rovnú plochu v minimálnej vzdialenosti 3 metre/10 stôp od zdroja paliva a miesta, kde palivo dopĺňate. Uistite sa, že sa v blízkosti rezacieho nadstavca nenachádzajú ani sa ho nedotýkajú žiadne predmety.
- Ak sa rezací nadstavec pri voľnobežných otáčkach otáča, požiadajte servisného zástupcu o jeho nastavenie. Nepoužívajte výrobok, kým nebol správne nastavený alebo opravený.
- Dávajte pozor na odletujúce predmety. Vždy používajte správne prostriedky na ochranu očí a dodržiavajte odstup od krytu rezacieho nadstavca. Kamienky a iné predmety by vám mohli vletieť do očí a spôsobiť oslepnutie alebo iné zranenia.
- Výrobok nikdy nepokladajte na zem so zapnutým motorom, pokiaľ naň nemáte jasný výhľad.
- Narezaný materiál neodstraňujte ani nenechajte iné osoby odstraňovať, kým je spustený motor alebo kým sa otáča rezné zariadenie, keďže by mohlo dôjsť k vážnemu zraneniu.
- Pred odstraňovaním materiálu omotaného na hriadeli noža alebo zachyteného medzi kryt

rezacieho nadstavca a rezné zariadenie vždy najprv zastavte motor a uistite sa, že sa rezné zariadenie neotáča.

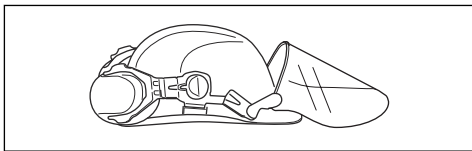
- Pri odstraňovaní materiálu z tesnej blízkosti rezného zariadenia buďte opatrní. Kuželový prevod je počas prevádzky horúci a môže spôsobiť popáleniny.
- Výfukové plyny z motora sú horúce a môžu obsahovať iskry. Hrozí nebezpečenstvo požiaru. V blízkosti suchých a horľavých materiálov postupujte opatrne.
- Nikdy stroj nepoužívajte v uzavretom priestore alebo na miestach bez vhodného vetrania. Výfukové plyny obsahujú oxid uhoľnatý, plyn bez zápachu, ktorý je jedovatý a veľmi nebezpečný.
- Pred presunom na inú pracovnú plochu vypnite motor. Pred presunom zariadenia vždy nasadte transportný kryt.
- Nadmerné vystavenie vibráciám môže viesť k poškodeniu krvného obehu alebo nervovým poškodeniam u ľudí, ktorí majú zhoršený krvný obeh. Pri symptómoch nadmerného vystavenia vibráciám sa obráťte na svojho lekára. Tieto príznaky sú trpnutie, strata citu, chvenie, pichanie, bolesť, strata sily, zmeny vo farbe a stave pleti. Tieto symptómy sa bežne objavujú na prstoch, rukách a zápästiach. Riziko je väčšie pri nízkych teplotách.

## Osobné ochranné prostriedky

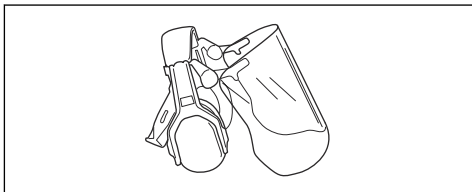


**VÝSTRAHA:** Skôr než budete výrobok používať, prečítajte si nasledujúce výstrahy.

- Pri používaní produktu vždy používajte schválené osobné ochranné prostriedky. Osobné ochranné prostriedky nedokážu úplne vylúčiť riziko, ale môžu znížiť vážnosť zranenia v prípade nehody. Váš predajca vám pomôže pri výbere správnych prostriedkov.
- V prípade, že výška stromov na pracovnej ploche presahuje 2 m/6,5 stôp, používajte prítlbu.

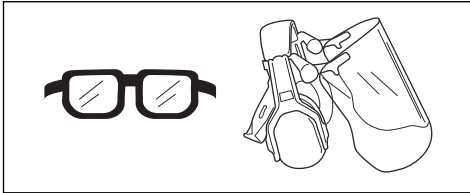


- Používajte schválené chrániče sluchu.

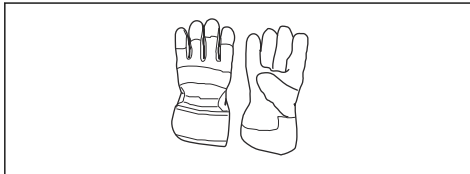


- Používajte schválené chrániče očí. Ak používate štít, musíte tiež používať schválené ochranné okuliare.

Schválené ochranné okuliare musia zodpovedať norme ANSI Z87.1 platnej v USA alebo norme EN 166 platnej v krajinách EÚ.



- Keď je to potrebné, používajte rukavice, ako napríklad pri montáži, kontrole alebo čistení rezného zariadenia.



- Používajte ochrannú obuv s oceleovou špičkou a protišmykovými podrážkami.



- Používajte odev vyrobený z pevnej tkaniny. Vždy noste pevné, dlhé nohavice a dlhé rukávy. Nepoužívajte voľný odev, ktorý sa môže zachytiť v konároch a vetvách. Nepoužívajte šperky, krátke nohavice ani sandále. Nechodte bosí. Vlasy si bezpečne uchytte nad úrovňou ramien.
- Majte poruke vybavenie prvej pomoci.



## Bezpečnostné zariadenia na výrobku

Ďalšie informácie o prístupe k bezpečnostným zariadeniam nájdete v časti *Chránič rezacieho nadstavca na strane 488*.



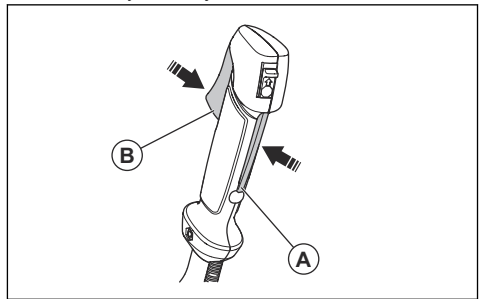
**VÝSTRAHA:** Skôr než budete používať produkt, prečítajte si nasledujúce výstrahy.

- Nepoužívajte produkt, ktorý má chybné bezpečnostné zariadenia. Bezpečnostné zariadenia pravidelne kontrolujte a vykonávajte ich údržbu. Ak sú bezpečnostné zariadenia chybné, obráťte sa na servisného zástupcu spoločnosti McCulloch.
- Bezpečnostné zariadenia neupravujte. Nepoužívajte produkt, ak ochranné kryty, bezpečnostné vypínače alebo iné ochranné zariadenia nie sú nainštalované alebo ak sú chybné.
- Údržba a opravné práce výrobku a najmä bezpečnostných zariadení si vyžadujú špeciálne školenie. Ak bezpečnostné zariadenia nezodpovedajú kontrolám uvedeným v návode na obsluhu, ste povinní požiadať o pomoc servisného zástupcu. Garantujeme dostupnosť profesionálnych opráv a servisu. Ak váš predajca nie je servisný zástupca, kontaktujte predajcu, ktorý vám poskytne informácie o najbližšom servisnom zástupcovi.
- Nepoužívajte rezací nadstavec bez schváleného a správne nasadeného krytu rezacieho nadstavca. Pozrite si časť *Technické údaje na strane 505*.

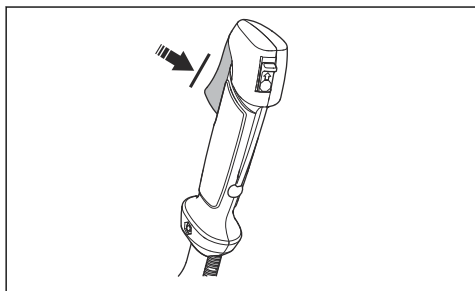
## Kontrola poistky páčky plynu

Blokovanie poistnej páčky plynu slúži na zabránenie náhodnému stlačeniu ovládania plynu.

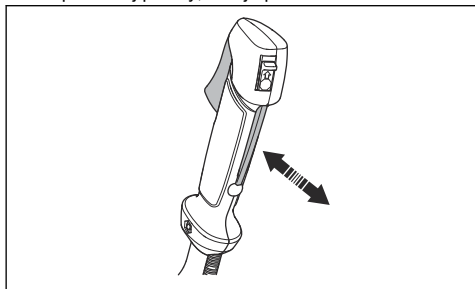
1. Stlačte poistku páčky plynu (A) a uistite sa, že je ovládanie plynu uvoľnené (B). Keď uvoľníte rukoväť, ovládanie plynu a poistka páčky plynu sa spoločne vrátia späť so svojej pôvodnej polohy. Tento pohyb je riadený dvomi vratnými pružinami. Toto usporiadanie znamená, že plyn sa pri voľnobehu automaticky zablokuje.



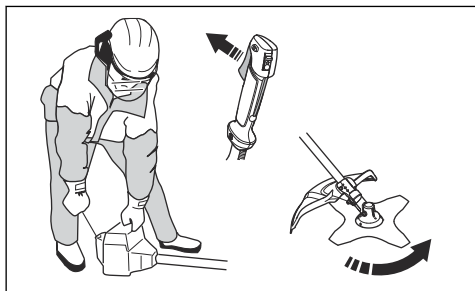
2. Presvedčte sa, či je ovládanie plynu zablokované pri nastavení na voľnobeh, keď je poistka páčky plynu uvoľnená.



3. Stlačte poistku páčky plynu a uistite sa, že sa vráti do pôvodnej polohy, keď ju pustíte.



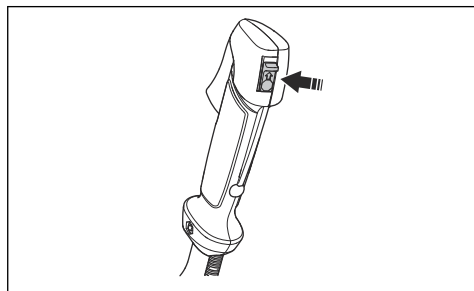
4. Skontrolujte, či sa ovládanie plynu a poistka páčky plynu pohybujú voľne a či vratné pružiny fungujú správne.
5. Naštartujte výrobok (prečítajte si pokyny v časti *Zapnutie a vypnutie na strane 497*) a pridajte plný plyn.
6. Uberte plyn a skontrolujte, či sa rezací nadstavec zastavil a či potom ostal stáť. Ak sa rezací nadstavec hýbe, aj keď je plyn v polohe voľnobežných otáčok, nastavte karburátor. Pozrite si pokyny v kapitole *Nastavenie voľnobežných otáčok na strane 503*.



### Kontrola vypínača

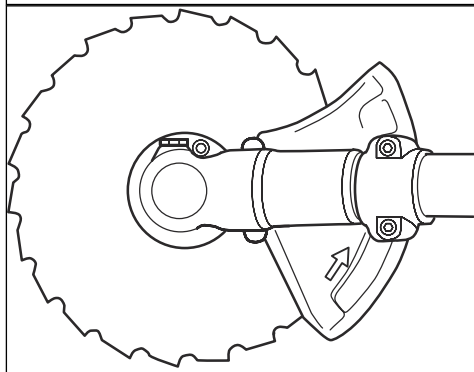
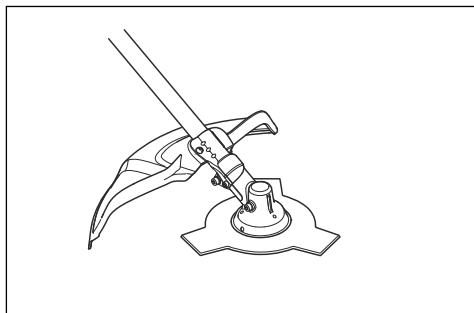
1. Naštartujte motor.

2. Posuňte vypínač do polohy Stop a skontrolujte, či sa motor zastavil.



### Chránič rezacieho nadstavca

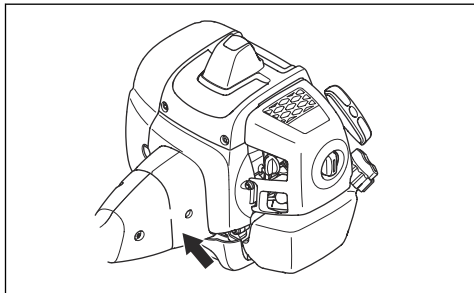
Chránič rezacieho nadstavca zabraňuje odrazeniu uvoľnených predmetov smerom k používateľovi. Skontrolujte, či nie je chránič rezacieho nadstavca poškodený a v prípade potreby ho vymeňte. Používajte len schválený chránič pre rezací nadstavec.





### Kontrola systému na tlmenie vibrácií

Systém na tlmenie vibrácií zmierňuje chvenie rúk a rúk na minimum, čím uľahčuje používanie.



1. Zastavte motor.
2. Vizuálne skontrolujte prítomnosť prípadných deformácií a poškodení, napríklad prasklín.
3. Uistite sa, či sú jednotlivé súčasti systému na tlmenie vibrácií správne nasadené.

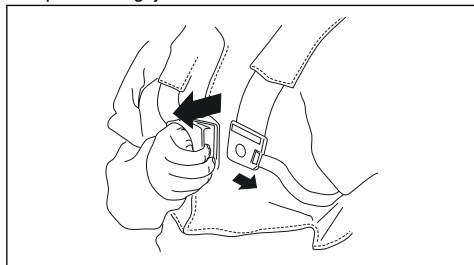
### Kontrola rýchlopínacieho mechanizmu



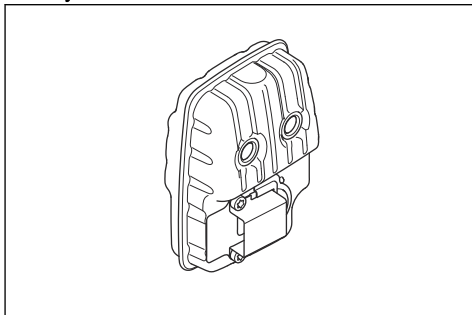
**VÝSTRAHA:** Nepoužívajte popruh s poškodeným rýchlopínacím mechanizmom.

Rýchlopínací mechanizmus umožňuje obsluhu v núdzovej situácii rýchlo uvoľniť výrobok z popruhu.

1. Zastavte motor.
2. Pohľadom skontrolujte prítomnosť prípadných poškodení, napríklad prasklín.
3. Odpojením a opätovným pripojením rýchlopínacieho mechanizmu skontrolujte, či správne funguje.



### Tlmič výfuku



- Nepoužívajte motor, ak je tlmič výfuku poškodený. Poškodený tlmič výfuku zvyšuje hladinu hluku a nebezpečenstvo požiaru. Majte poruke hasiaci prístroj.
- Pravidelne kontrolujte, že je tlmič výfuku pripevnený k výrobku.
- Nedotýkajte sa motora ani tlmiča výfuku, keď je motor v prevádzke. Nedotýkajte sa motora ani tlmiča výfuku hneď po vypnutí motora. Horúce povrchy môžu spôsobiť poranenia.
- Horúci tlmič výfuku môže mať za následok vznik požiaru. Pri používaní výrobku v blízkosti horľavých kvapalín alebo plynov zachovajte opatrnosť.
- Ak je tlmič výfuku poškodený, nedotýkajte sa dielov vnútri tlmiča výfuku. Diely môžu obsahovať niektoré karcinogénne chemikálie.
- Ak má výrobok zachytávač iskier, pravidelne ho čistite. 🧽

### Nasadenie a zloženie poistnej matice

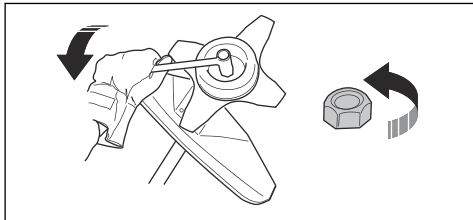


**VÝSTRAHA:** Vypnite motor, nasadte si ochranné rukavice a v blízkosti okrajov rezacieho nastavca postupujte opatrne.

Poistná matica sa používa na pripojenie niektorých druhov rezacích nastavcov. Poistná matica má ľavý závit.

- Pri upínaní uťahujte poistnú maticu v opačnom smere, ako je smer otáčania rezacieho nastavca.
- Ak chcete odstrániť poistnú maticu, povolujte ju v rovnakom smere, ako je smer otáčania rezacieho nastavca.

- Na uvoľnenie alebo utiahnutie poistnej matice použijete nástrčkový kľúč s dlhým nastavcom. Šípka na obrázku znázorňuje oblasť, kde je možné používať nástrčkový kľúč.



**VÝSTRAHA:** Pri uvoľňovaní a utáňovaní poistnej matice vzniká nebezpečenstvo poranenia čepelou. Pri vykonávaní takej akcie musíte preto zabezpečiť, aby kryt noža neustále chránil vašu ruku pred zranením.

**Poznámka:** Uistite sa, aby poistnú maticu nebolo možné otočiť rukou. Ak nylónový krúžok nemá odpor minimálne 1,5 Nm, poistnú maticu vymeňte. Poistnú maticu je nutné vymeniť vždy po tom, ako bola použitá na upnutie približne 10-krát.

## Rezné zariadenie

Vyberte si a udržiavajte rezné zariadenie tak, aby sa:

- Získal maximálny výkon rezania.
- Zvýšila životnosť rezného zariadenia.
- Dodržiavajte pokyny týkajúce sa kontroly, údržby a servisu tlmiča výfuku.
- Vždy používajte správny odporúčaný ochranný kryt rezného zariadenia. Pozrite si technické údaje.



**VÝSTRAHA:** Používajte len rezacie nástavce s odporúčanými ochrannými prvkami! Pozrite si kapitolu Technické údaje. Vyhľadajte si pokyny týkajúce sa rezacích nastavcov, aby ste zabezpečili správne uchytenie žacieho lanka a zvolili správny priemer žacieho lanka.



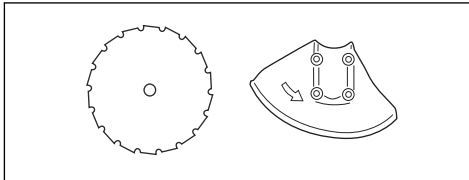
**VÝSTRAHA:** Chybné rezacie nástroje môžu zvýšiť riziko nehôd.



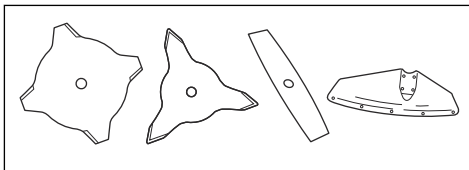
**VÝSTRAHA:** Pred akoukoľvek prácou na rezacích nastavcoch vždy zastavte motor. Rotácia pokračuje aj po uvoľnení ovládacej páčky plynu. Pred prácou s rezacím nastavcom zabezpečte, aby bol úplne zastavený, a odpojte kryt zapalovacej sviečky.

## Rezné zariadenie

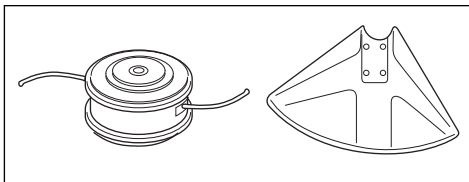
- Pilový kotúč slúži na rezanie vláknitých druhov dreva.



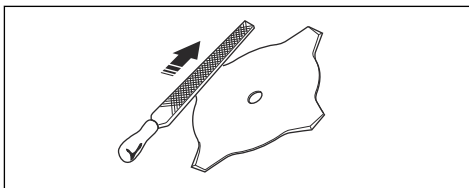
- Na kosenie hrubej trávy používajte nože a kotúče na trávu.



- Vyžínaciu hlavu používajte na zastreňovanie trávy.



- Nesprávne naostréný alebo poškodený nôž zvyšuje riziko vzniku nehody. Udržiavajte zuby čepele správne nabrúsené. Postupujte podľa pokynov v časti *Ostrenie rezacích zubov a nožov na trávu na strane 491* a používajte odporúčanú brúsnu mierku.

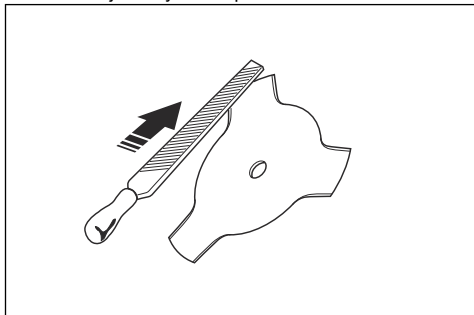


- Skontrolujte, či nie je rezací nastavec poškodený alebo prasknutý. Poškodený rezací nastavec vymeňte.
- Rezacie nastavce používajte len s odporúčanými krytmi. Pozrite si časť *Technické údaje na strane 505*.

## Nože

- Produkt používajte iba so schváleným nožom. Nepoužívajte nôž bez riadnej inštalácie všetkých potrebných dielov. Uistite sa, že inštaláciu vykonáte správne a s použitím správnych dielov. Nesprávna inštalácia môže spôsobiť uvoľnenie noža a vážne poranenie používateľa alebo osôb v okolí.

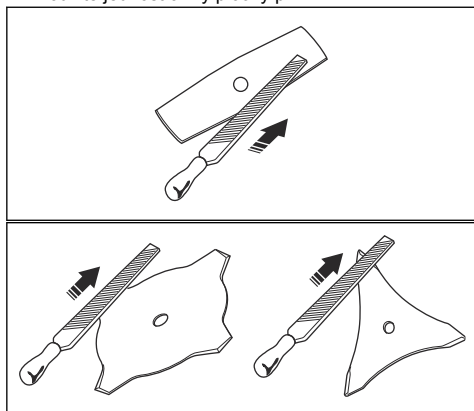
- Pri manipulácii s nožom alebo pri vykonávaní údržby používajte ochranné rukavice.
- Pri práci s výrobkom vybaveným nožom používajte ochranu hlavy.
- Nôž sa bude pod vplyvom zotrvačnosti otáčať aj po zastavení motora alebo uvoľnení páčky plynu a môže tak spôsobiť poranenie. Pred akoukoľvek údržbou sa uistite, že sa nôž vôbec neotáča.
- Pred akoukoľvek prácou na rezacích nadstavcoch zastavte motor. Uistite sa, že sa rezací nadstavec úplne zastavil. Odpojte kábel zo zapaľovacej sviečky.
- Udržiavajte zuby noža správne nabrúsené.



- Nepoužívajte poškodený rezací nadstavec.
- Pri premiestňovaní alebo odkladaní výrobku nasadzte na nôž transportný kryt.

#### Ostrenie rezacích zubov a nožov na trávu

- Ostrite všetky hrany rezacích zubov a nožov na trávu rovnomerne, aby sa zachovalo ich vyváženie. Použite jednostranný plochý pilník.

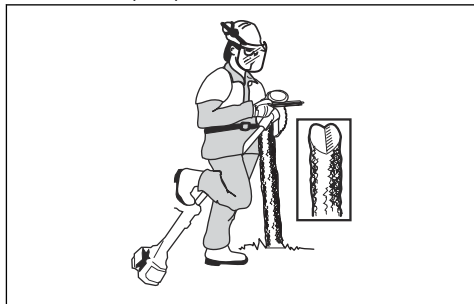


#### Ostrenie pílového kotúča

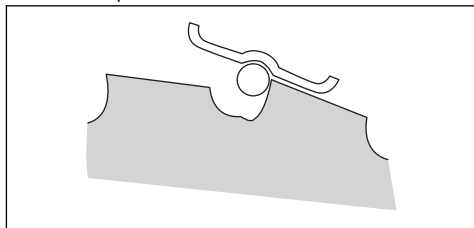


**VÝSTRAHA:** Zastavte motor.  
Používajte ochranné rukavice.

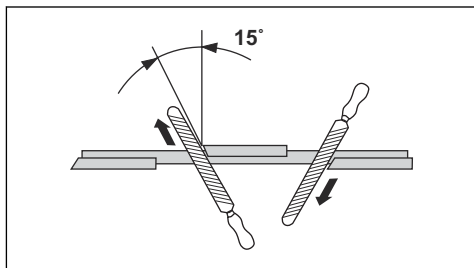
- Informácie o správnom ostrení kotúčov a nožov sú uvedené v pokynoch dodaných s príslušným kotúčom alebo nožom.
- Dbajte, aby výrobok a nôž boli pri brúsení dostatočne podporené.



- Používajte 5,5 mm (7/32 palca) okrúhly pilník s držiakom pilníka.



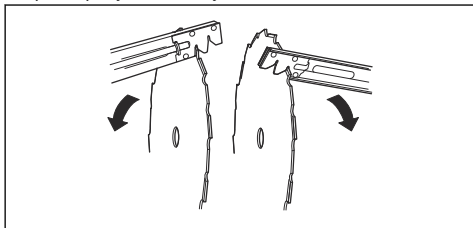
- Držte pilník pod uhlom 15°.
- Naostríte jeden zub pílového kotúča vpravo a nasledujúci vľavo tak, ako je zobrazené na nákrese.



**Poznámka:** Ak je kotúč výrazne opotrebovaný, naostríte hrany zubov plochým pilníkom. Pokračujte v ostrení pomocou okrúhleho pilníka.

- Všetky hrany naostríte rovnomerne, aby bol kotúč vyvážení.

- Upravte pomocou odporúčaného nástroja na nastavenie kotúča na 1 mm (0,04 palca). Postupujte podľa pokynov dodaných s kotúčom.

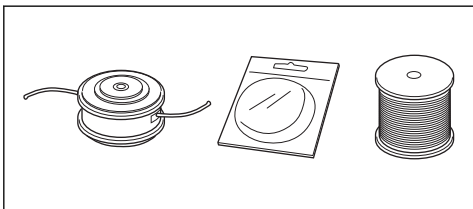


**VÝSTRAHA:** Poškodený kotúč alebo nôž vždy zahodte. Nepokúšajte sa vyrovnávať ohnutý alebo skrútený kotúč alebo nôž a používať ho znova.

### Vyžínacia hlava



**VÝSTRAHA:** Vždy zaistíte, aby bolo žacie lanko v cievke navinuté tesne a rovnomerne, aby sa zabránilo nebezpečným vibráciám.



- Používajte iba odporúčané vyžínacie hlavy a žacie lanká.
- Používajte iba odporúčané rezacie nadstavce.
- Menšie stroje vyžadujú menšie vyžínacie hlavy a naopak.
- Dĺžka žacieho lanka je dôležitá. Dlhšie žacie lanko si vyžaduje silnejší stroj než kratšie lanko s rovnakým priemerom.
- Uistite sa, či je rezací zub na kryte vyžínacej hlavy nepoškodený. Tento zub presne odrezáva žacie lanko na potrebnú dĺžku.
- Ak chcete predĺžiť životnosť žacieho lanka, pred použitím ho namočte na pár dní do vody.

### Bezpečnosť paliva

- Výrobok neštartujte, ak sú na ňom zvyšky paliva alebo motorového oleja. Odstráňte neželané palivo/olej a nechajte výrobok vyschnúť. Odstráňte z výrobku neželané palivo.

- Ak vylejete palivo na odev, okamžite sa prezlečte.
- Dávajte pozor, aby ste si palivo nevyliali na telo, pretože môže spôsobiť poranenie. Ak si palivo vylejete na telo, umyte sa pomocou mydla a vody.
- Motor neštartujte, ak olej alebo palivo vylejete na výrobok alebo na svoje telo.
- Výrobok neštartujte, ak sa na motore vyskytuje netesnosť. Pravidelne kontrolujte výskyt netesností na motore.
- Pri manipulácii s palivom zachovajte opatnosť. Palivo je horľavá látka a výpary z paliva sú výbušné a môžu spôsobiť poranenia alebo smrť.
- Vyhňte sa vdychovaniu výparov paliva, pretože môžu spôsobiť poranenie. Zabezpečte dostatočné prúdenie vzduchu.
- V blízkosti paliva alebo motora nefajčite.
- Neukladajte do blízkosti paliva alebo motora teplé predmety.
- Nedopĺňajte palivo, keď je zapnutý motor.
- Pred dopĺňaním paliva sa uistite, že motor vychladol.
- Pred dopĺňaním paliva pomaly otvorte veko palivovej nádrže a opatrne uvoľnite tlak.
- Palivo do motora nedopĺňajte v interiéri. Nedostatočné prúdenie vzduchu môže spôsobiť poranenie alebo smrť v dôsledku udusenía alebo otravy oxidom uhoľnatým.
- Starostlivo utiahnite veko palivovej nádrže, inak hrozí riziko vzniku požiaru.
- Pred spustením premiestnite výrobok minimálne 3 m od miesta, na ktorom ste dopĺňali palivo do nádrže.
- Neprepíňajte palivovú nádrž.
- Pri premiestňovaní výrobku alebo nádoby na palivo sa uistite, že z nich nevyteká palivo.
- Výrobok ani nádobu na palivo neukladajte na miesta s otvoreným ohňom, iskrami alebo trvalým plameňom. Uistite sa, že sa na mieste, na ktorom výrobok uskladníte, nenachádza otvorený oheň.
- Na premiestnenie alebo uskladnenie paliva používajte len schválené nádoby.
- Pred dlhodobým uskladnením vyprázdňte palivovú nádrž. Pri likvidácii paliva dodržiavajte miestne právne predpisy.
- Pred dlhodobým uskladnením výrobok vyčistite.
- Pred odložením odmontujte z výrobku kábel zapalovacej sviečky, aby ste sa uistili, že nedôjde k náhodnému spusteniu motora.

### Bezpečnostné pokyny pre údržbu

- Ak sa vám nepodarí upraviť rýchlosť voľnobehu na zastavenie rezacieho nadstavca, kontaktujte servisné stredisko. Nepoužívajte výrobok, kým nebol správne nastavený alebo opravený.

## Montáž



**VÝSTRAHA:** Pred montážou výrobku si prečítajte kapitolu o bezpečnosti.

### Úvod



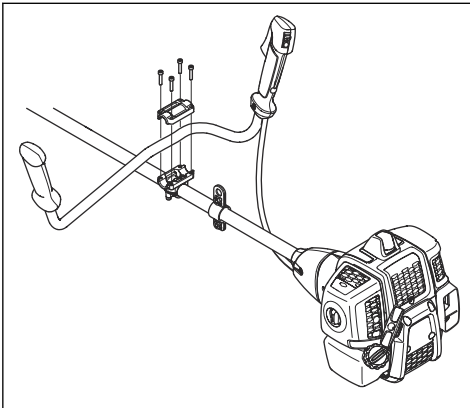
**VÝSTRAHA:** Pred zostavením výrobku si musíte prečítať kapitolu o bezpečnosti a porozumieť informáciám, ktoré sa v nej uvádzajú.



**VÝSTRAHA:** Pred zostavením výrobku od zapalovacej sviečky odpojte kábel zapalovacej sviečky.

### Inštalácia rukoväte

1. Podľa zobrazenia nasadíte rukoväť na montážny držiak.



### Inštalácia nožov a vyžínacích hláv



**VÝSTRAHA:** Používajte len schválený kryt nožov. Pozrite si časť *Technické údaje na strane 505*. Ochranný kryt môže spôsobiť zranenie.

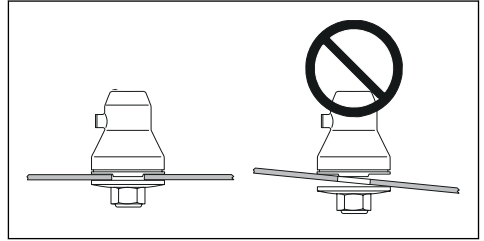


**VÝSTRAHA:** Ak používate produkt s nožom na trávu, najprv namontujte správnu rukoväť, kryt noža a popruh.



**VÝSTRAHA:** Nesprávna inštalácia nožov môže spôsobiť zranenie.

1. Uistite sa, že zvýšená časť hnacieho disku/ podpornej príruby presne sedí v strede otvoru nožov.
2. Namontujte nože.



### Inštalácia krytu noža a nožov na kosenie a zastrihávanie trávy

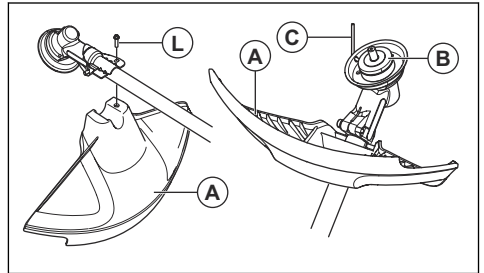


**VAROVANIE:** Používajte len schválený kryt nožov. Pozrite si návod na obsluhu.



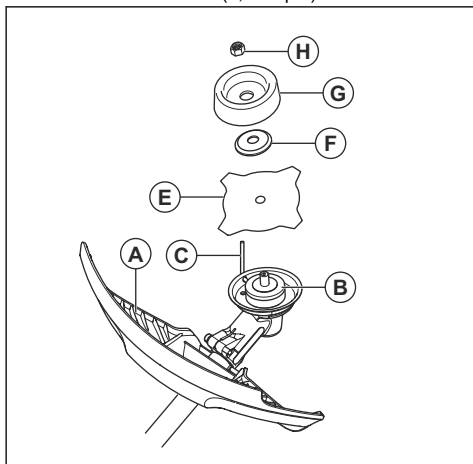
**VAROVANIE:** Uistite sa, že je odmontovaný nástavec krytu.

1. Pripevnite kryt noža/kryt rezacieho nadstavca (A) na hriadeľ a utiahnite skrutkou (L).



2. Namontujte hnací disk (B) na vývodný hriadeľ.
3. Otáčajte výstupný hriadeľ, kým sa jeden z otvorov na hnacom disku nezarovná s príslušným otvorom na skrini prevodovky.
4. Vložte poistný kolík (C) do otvoru na zaistenie hriadeľa.
5. Nasadte nôž (E), podpornú prírubu (F) a podpornú misku (G) na výstupný hriadeľ.

- Namontujte maticu (H). Pridržiavajte hriadeľ kľúča čo najtesnejšie pri kryte noža. Na utiahnutie matice musíte otáčať kľúčom v opačnom smere, ako je smer otáčania. Uťahnite maticu uťahovacím momentom 35-50 Nm (3,5-5 kpm).

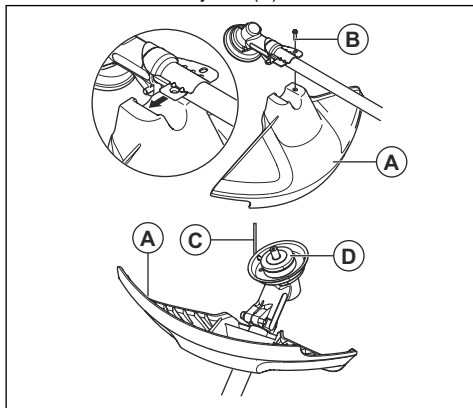


**Poznámka:** Ľavý závit.

### Nasadenie krytu vyžínacej hlavy a vyžínacej hlavy

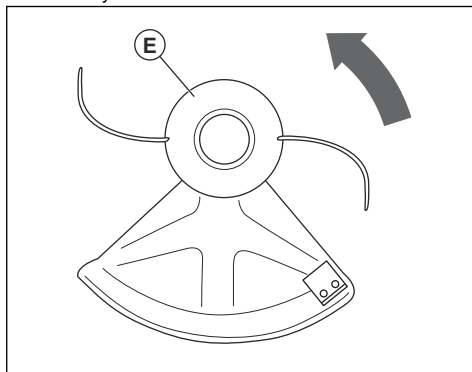
**Poznámka:** Dbajte na to, aby ste použili správny kryt vyžínacej hlavy na správnu vyžínaciu hlavu.

- Upevnite správny kryt vyžínacej hlavy/kombinovaný kryt (A) podľa druhu vyžínacej hlavy.
- Kryt vyžínacej hlavy/kombinovaný kryt nasadte okolo hriadeľa a utiahnite ho skrutkou (B). Použite poistný kolík alebo imbusový kľúč (C).



- Poistný kolík alebo imbusový kľúč (C) vložte do drážky na hlavici skrutky a utiahnite.

- Na výstupný hriadeľ (D) pripojte hnací disk.
- Otáčajte výstupný hriadeľ, kým jeden z otvorov na hnacom disku nebude zarovnaný s príslušným otvorom na skriní prevodovky.
- Nasadte poistný kolík alebo imbusový kľúč (C) do otvoru na zaistenie hriadeľa.
- Namontujte vyžínaciu hlavu/plastové nože (E). Otáčajte vyžínaciu hlavu/plastové nože proti smeru hodinových ručičiek.



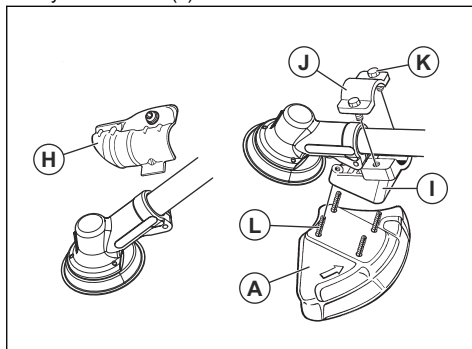
- Pri demontáži postupujte podľa pokynov v opačnom poradí.

### Inštalácia krytu noža a pílového kotúča



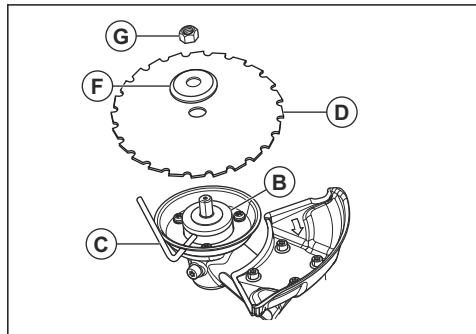
**VAROVANIE:** Používajte len schválený kryt nožov. Pozrite si časť *Technické údaje* na strane 505.

- Zložte montážnu dosku (H).
- Namontujte adaptér (I) a podporu (J) pomocou dvoch skrutiek (K).
- Namontujte kryt noža (A) na adaptér pomocou štyroch skrutiek (L).

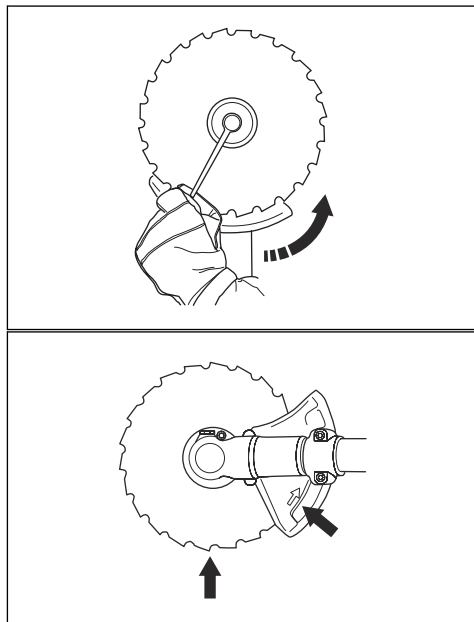


- Namontujte hnací disk (B) na vývodný hriadeľ.
- Otáčajte hriadeľ noža, kým jeden z otvorov na hnacom disku nebude zarovnaný s príslušným otvorom na ozubenom kolese.

6. Zastrčte poistný kolík (C) do otvoru na zaistenie hriadeľa.
7. Nasadte nôž (D) a podpornú prírubu (F) na výstupný hriadeľ.
8. Namontujte maticu (G). Maticu utiahnite utahovacím momentom 35 – 50 Nm (3,5 – 5 kpm). Použite na to nástrčkový kľúč z nástrojovej súpravy. Pridržiavajte hriadeľ kľúča čo najtesnejšie pri kryte noža. Maticu utiahnite otáčaním kľúčom v opačnom smere, ako je smer otáčania.
9. Pri uvoľňovaní a pri utahovaní upínacej matice rezacieho noža vzniká riziko poranenia rezacími zubami noža. Preto musíte zabezpečiť, aby bola vaša ruka neustále chránená krytom noža. Vždy používajte dostatočne dlhý nástrčkový kľúč, ktorý to umožní. Šípky na obrázku ukazujú na miesto, kde treba pracovať s nástrčkovým kľúčom pri uvoľňovaní alebo utahovaní.

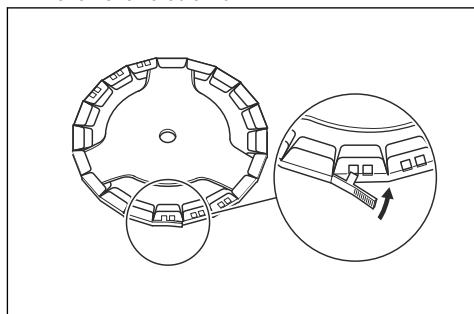


**Poznámka:** Ľavý závit.



## Montáž transportného krytu

1. Upevnite na nôž transportný kryt, ako je to znázornené na obrázku.



## Nastavenie popruhu



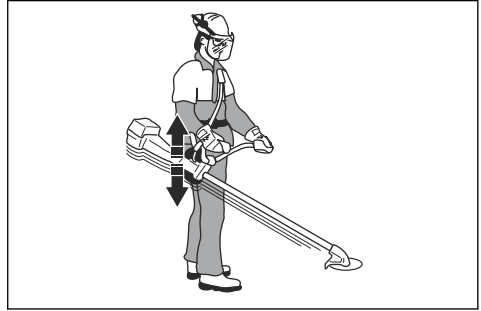
**VÝSTRAHA:** Výrobok musí byť vždy správne upevnený k popruhu. V opačnom prípade nie je používanie produktu bezpečné a môže spôsobiť poranenie vám alebo iným osobám. Nepoužívajte

poškodený popruh. Nepoužívajte popruh s poškodenou rýchlrozpínacou sponou.

1. Popruh si preveste cez plecia.
2. Výrobok pripojte k popruhu.
3. Upravte popruh do čo najvhodnejšej pracovnej polohy.
4. Upravte bočné popruhy tak, aby hmotnosť výrobku spočívala rovnomerne na oboch ramenách.



5. Nastavte si správnu polohu popruhov tak, aby bol rezací nadstavec rovnobežne so zemou.



6. Nechajte rezací nadstavec zľahka sa opierať o zem. Nastavte svorku popruhu na správne vyváženie produktu.

**Poznámka:** Ak používate nôž na trávu, musíte stroj vyvážiť tak, aby voľne visel vo výške približne 10 cm/4 palce nad zemou

## Prevádzka



**VÝSTRAHA:** Pred používaním výrobku si prečítajte kapitolu o bezpečnosti a porozumejte informáciám, ktoré sa v nej uvádzajú.

### Úvod



**VÝSTRAHA:** Pred používaním výrobku si musíte prečítať kapitolu o bezpečnosti a porozumieť informáciám, ktoré sa v nej uvádzajú.

### Palivo

Tento výrobok má dvojtaktný motor.



**VAROVANIE:** Nesprávny typ paliva môže poškodiť motor. Používajte zmes benzínu a dvojtaktného oleja.

### Namiešané palivo

- Na dosiahnutie najlepšieho výkonu a maximalizáciu životnosti motora použite namiešané alkylátové palivo McCulloch. Toto palivo obsahuje v porovnaní s bežným palivom menej škodlivých látok, čo znižuje objem škodlivých výfukových plynov. Množstvo zvyškov po spaľovaní je pri tomto palive nižšie, čo udržuje komponenty motora čistejšie.

### Miešanie paliva

#### Benzín

- Používajte kvalitný bezolovnatý benzín s max. 10 % etanolu.



**VAROVANIE:** Nepoužívajte benzín s oktánovým číslom menším než 90 RON/87 AKI. Použitie nižšieho oktánového čísla môže spôsobiť klepanie motora, ktoré môže viesť k poškodeniu motora.

#### Dvojtaktný olej

- Na dosiahnutie najlepších výsledkov používajte dvojtaktný olej McCulloch.
- Ak nemáte k dispozícii dvojtaktný olej McCulloch, môžete použiť iný dvojtaktný olej vysokej kvality, ktorý je určený pre vzduchom chladené motory. S výberom správneho oleja vám poradí váš servisný predajca.



**VAROVANIE:** Nepoužívajte olej pre dvojtaktné motory určený pre vodu chladené motory, niekedy označovaný aj ako olej pre lodné motory. Nepoužívajte oleje určené pre štvortaktné motory.

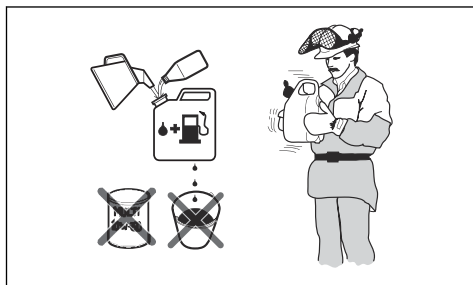


## Vytvorenie zmesi benzínu a oleja pre dvojtaktné motory

Benzín, liter	Olej pre dvojtaktné motory, liter
	<b>2 % (50:1)</b>
5	0,10
10	0,20
15	0,30
20	0,40
Americké galóny	Americké fl. oz.
1	2 ½
2 1/2	6 ½
5	12 ¾



**VAROVANIE:** Pri miešaní malého množstva paliva môžu malé chyby výrazne ovplyvniť pomer zmesi. Opatrne odmerajte množstvo oleja, aby ste získali správnu zmes.



1. Polovicu množstva benzínu nalejte do čistej nádoby na palivo.
2. Pridajte celú dávku oleja.
3. Zmes paliva premiešajte.
4. Do nádoby pridajte zvyšné množstvo benzínu.
5. Zmes paliva opatrne premiešajte.



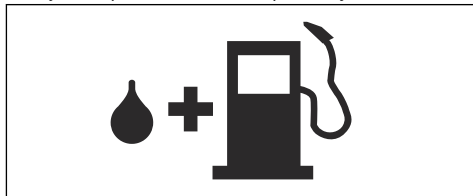
**VAROVANIE:** Zmes paliva nemiešajte na viac ako 1 mesiac.

## Dopĺňanie paliva do palivovej nádrže



**VÝSTRAHA:** Dodržiavajte nasledujúci postup kvôli vlastnej bezpečnosti.

1. Zastavte motor a nechajte ho vychladnúť.
2. Vyčistite priestor okolo veka palivovej nádrže.



3. Zatraste nádobou a skontrolujte, či je palivo úplne zmiešané.
4. Pomaly odstráňte veko palivovej nádrže a uvoľnite tlak.
5. Nalejte palivo do palivovej nádrže.



**VAROVANIE:** Skontrolujte, či v palivovej nádrži nie je príliš veľa paliva. Pri zahrievaní sa palivo rozširuje.

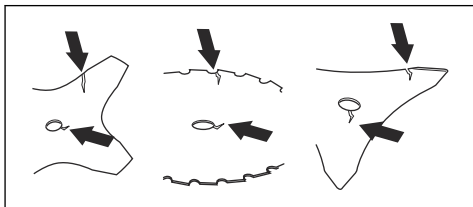
6. Uťahnite veko palivovej nádrže.
7. Utrite rozliaty benzín na produkte na okolo neho.
8. Pred štartovaním motora sa s výrobkom vzdialte od miesta dopĺňania a od zdroja paliva minimálne o 3 m/10 stôp.

**Poznámka:** Ak chcete zistiť, kde sa palivová nádrž nachádza na vašom výrobku, pozrite si časť *Prehľad výrobku na strane 483*.

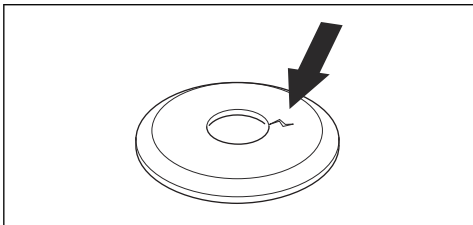
## Zapnutie a vypnutie

### Pred obsluhou zariadenia

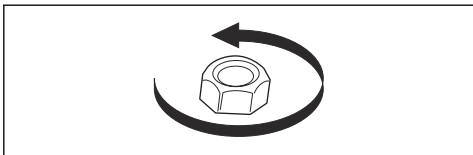
- Skontrolujte pracovnú plochu a oboznámte sa s typom terénu, sklonom svahu a prípadnými prekážkami, ako sú kamene, vetvy a jamy.
- Vykonajte celkovú kontrolu výrobku.
- Vykonajte bezpečnostné opatrenia, údržbu a servis uvedené v tomto návode.
- Skontrolujte, či sú všetky kryty, ochranné prvky, rukoväte a rezné zariadenia správne nasadené a nie sú poškodené.
- Skontrolujte, či sa na spodnej časti pilového kotúča, zuboch noža na trávu alebo pri ich stredovom otvore nenachádzajú žiadne praskliny. Ak sú kotúč alebo nože poškodené, vymeňte ich.



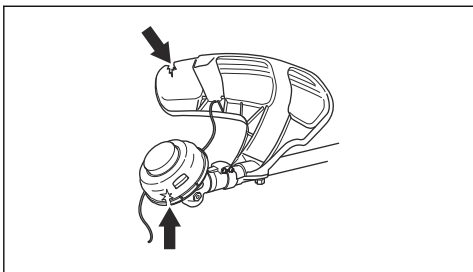
- Skontrolujte, či sa na podpornej prírubе nenachádzajú praskliny. V prípade poškodenia podpornú prírubu vymeňte.



- Uistite sa, že poistnú maticu nie je možné odmontovať rukou. Ak je ju možné odmontovať ručne, nedržíte rezací nadstavec dostatočne a je ju nutné vymeniť.



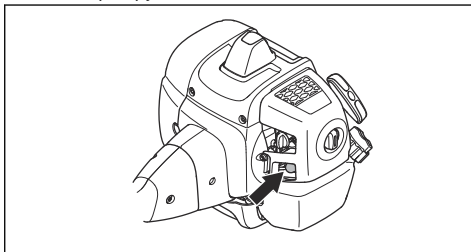
- Skontrolujte, či sa na kryte noža nenachádzajú známky poškodenia alebo praskliny. Ak kryt noža prišiel k nárazu alebo je prasknutý, vymeňte ho.
- Skontrolujte, či sa na vyžínacej hlave alebo rezacom nadstavci nenachádzajú známky poškodenia alebo praskliny. Ak prišla vyžínacia hlava alebo rezací nadstavec k nárazu alebo sú prasknuté, vymeňte ich.



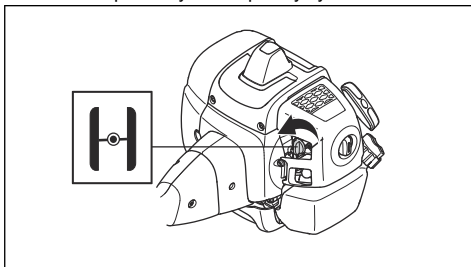
## Štartovanie motora

1. Výrobok položte na rovny a stabilný povrch. Nedávajte rezací nadstavec na zem.

2. Opakovane stláčajte balónik pumpy, kým sa balónik nezačne plniť palivom. Nie je potrebné úplne naplniť balónik pumpy.

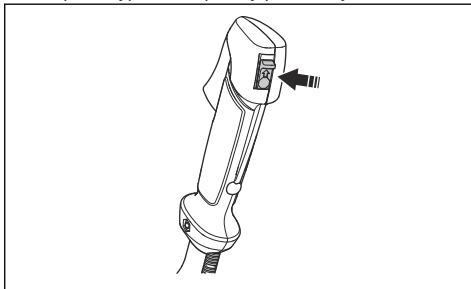


3. Presuňte páčku sýtiča do polohy sýtiča.

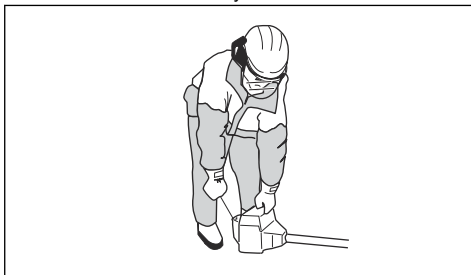


**VÝSTRAHA:** Rezací nadstavec sa začne otáčať ihneď po naštartovaní motora so sýtičom.

4. Prepnete vypínač do polohy prevádzky.



5. Ľavou rukou držte telo výrobku na zemi.



6. Pevne uchopte rukoväť štartovacieho lanka pravou rukou.

7. Pravou rukou pomaly potiahnite štartovacie lanko, až kým nepocítite mierny odpor.



**VÝSTRAHA:** Štartovacie lanko si neovijajte okolo ruky.

8. Lanko rýchlo a silno potiahnite. Opakovane potiahnite lanko štartéra, kým sa motor nenašartuje.

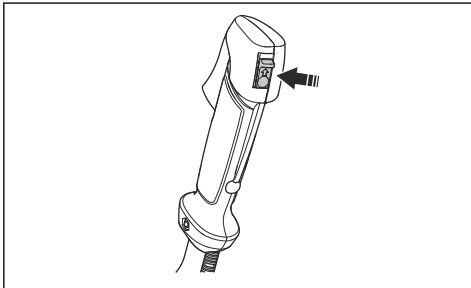


**VAROVANIE:** Štartovacie lanko neťahajte nadoraz a nepúšťajte rukoväť lanka, keď je vyťahnuté nadoraz. Mohlo by to viesť k poškodeniu výrobku.

9. Po nasكوčení motora vráťte sýtič do pôvodnej polohy.
10. Po našartovaní motora postupne pridávajte plyn.
11. Uistite sa, že motor pracuje bez problémov, a pred spustením do prevádzky nechajte motor 1 - 2 minúty nahriať.

## Zastavenie výrobku

- Stlačením vypínača zastavte motor.



## Odrazenie noža

- Odrazenie noža je náhly pohyb produktu do strany, dopredu alebo dozadu. K odrazeniu noža dôjde, keď nôž na trávu narazí na predmet, ktorý nemôže prerezať. V oblastiach, kde nie je jednoduché vidieť rezaný materiál, sa riziko odrazenia noža zvyšuje.
- Keď dôjde k odrazeniu noža, hrozí riziko, že sa produkt alebo používateľ vychýli zo svojej polohy. Pohybujúci sa nôž môže zasiahnuť osoby v okolí a hrozí tak nebezpečenstvo poranenia.
- Ak je nôž ohnutý, sú na ňom praskliny, je zlomený alebo poškodený, zlikvidujte ho.
- Používajte ostrý nôž. Keď nôž nie je ostrý, stúpa riziko odrazenia noža.

## Všeobecné pracovné pokyny

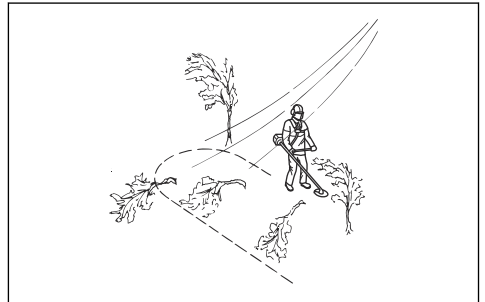


**VÝSTRAHA:** Pri rezaní napnutého stromu postupujte opatrne. Pred alebo po prerezaní sa môže prudko pohnúť do pôvodnej polohy, zasiahnuť vás alebo výrobok a spôsobiť zranenie.

- Vyčistite otvorený priestor na okraji pracovnej plochy a začnite pracovať odtiaľ.
- Postupujte bežným spôsobom po celej pracovnej ploche.



- Pohybujte výrobkom úplne vľavo a vpravo, pričom pri každom otočení vyčistite plochu o šírke približne 4 – 5 m.
- Vyčistite plochu o dĺžke približne 75 metrov, následne sa otočte a vydajte sa smerom späť. Kanister na benzín počas postupovania ďalej noste so sebou.
- Postupujte smerom, v ktorom nemusíte prechádzať jamami a prekážkami viac, než je nevyhnutné.
- Postupujte smerom, pri ktorom odrezané rastliny v dôsledku smeru vetra padajú na vyčistenú plochu.



- Postupujte pozdĺž svahov, nie hore a dole svahom.

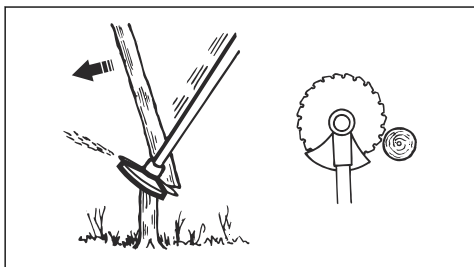
## Prerezávanie lesného porastu pomocou pílového kotúča

### Spľenie stromu tak, aby padol vľavo

Ak chcete spiliť strom smerom vľavo, zatlačte jeho spodnú stranu vpravo.

1. Použite plný plyn.
2. Opríte pílový kotúč o strom podľa znázornenia na nákrese.

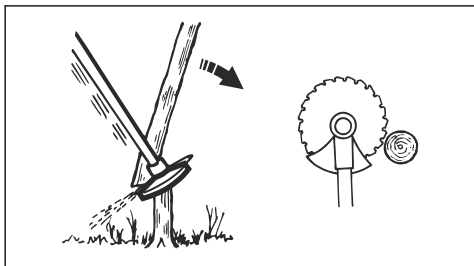
3. Nakloňte pilový kotúč a silou zatlačte diagonálne vpravo nadol. Zároveň na strom zatlačte krytým nožom.



### Spílenie stromu tak, aby padol vpravo

Ak chcete spíliť strom smerom vpravo, zatlačte jeho spodnú stranu vľavo.

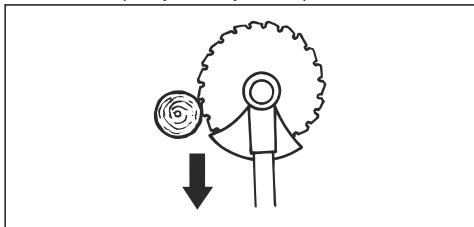
1. Použite plný plyn.
2. Oprite pilový kotúč o strom podľa znázornenia na nákrese.
3. Nakloňte pilový kotúč a silou zatlačte diagonálne vpravo nahor. Zároveň na strom zatlačte krytým nožom.



### Spílenie stromu smerom vpred

Ak chcete spíliť strom smerom dopredu, zatlačte jeho spodnú stranu dozadu.

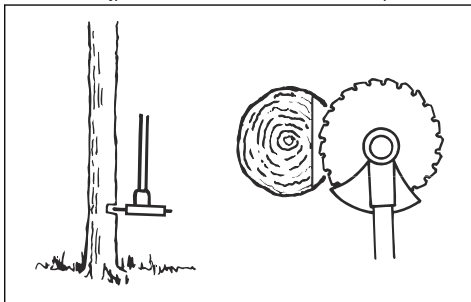
1. Použite plný plyn.
2. Oprite pilový kotúč o strom podľa znázornenia na nákrese.
3. Potiahnite pilový kotúč rýchlo dopredu.



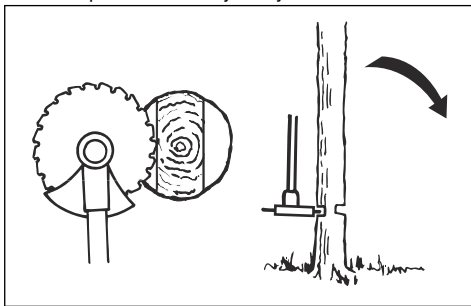
### Pílenie veľkých stromov

Veľké stromy je nutné narezať z 2 strán.

1. Skontrolujte, ktorým smerom strom spadne.
2. Použite plný plyn.
3. Strom najprv narežte na strane, na ktorú spadne.



4. Strom prerežte z druhej strany.



**VAROVANIE:** Ak sa pilový kotúč zasekne, neľahajte výrobok prudkými pohybmi. Mohol by sa pri tom poškodiť pilový kotúč, kuželový prevod alebo rukoväť. Pustite rukoväť, uchopte hriadeľ dvoma rukami a výrobok opatrne potiahnite.

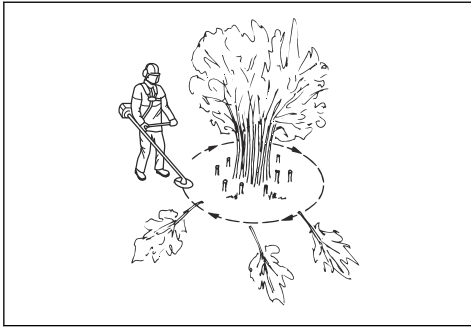
**Poznámka:** Na malé stromy pri rezaní tlačte viac. Na veľké stromy pri rezaní tlačte menej.

### Rezanie kríkov pilovým kotúčom

Ak chcete spíliť strom smerom vľavo, zatlačte jeho spodnú stranu vpravo.

- Zrežte tenké stromy a kríky.
- Pohybujte výrobkom zo strany na stranu.
- Zrežte väčšie množstvo stromov jedným pohybom.

- Skupiny tenkým stromov:



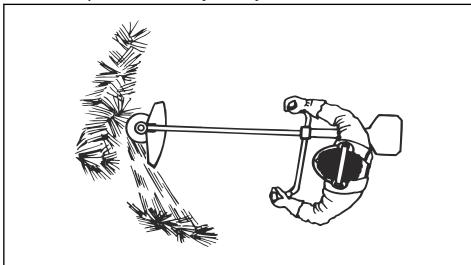
- Zrežte vonkajšie stromy vo výške.
- Zrežte vonkajšie stromy na správnu výšku.
- Režte od stredy. Ak sa neviete dostať do stredy, zrežte vonkajšie stromy vo výške a nechajte ich spadnúť. Tým sa znižuje riziko zaseknutia pilového kotúča.

## Kosenie trávnatého porastu pomocou noža na trávu



**VAROVANIE:** Nože a kotúče na trávu nepoužívajte na rezanie dreva. Nože a kotúče na trávu používajte iba na dlhú a hrubú trávu.

- Pohybujte výrobkom zo strany na stranu.
- Pri kosení začnite pohybom sprava doľava. Pred ďalším rezom posuňte výrobok vpravo.
- Režte pomocou ľavej strany noža na trávu.



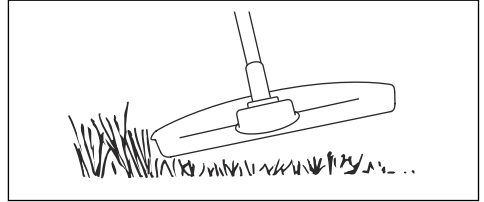
- Nakloňte nôž na trávu smerom ľavo, aby tak tráva padala do radu. Tráva sa tak ľahšie zberá.
- Zachovávajte si stabilný postoj s nohami mierne od seba.
- Po každom pohybe vykročte vpred a pred ďalším kosením zaujmite stabilný postoj.
- Podpornou miskou mierne tlačte na zem, čím zaručíte, aby nôž na trávu nenarazil do zeme.
- Dodržiavaním týchto pokynov znížite riziko toho, že sa pokosený materiál omotá okolo noža na trávu:
  - Použite plný plyn.

- Pri pohybe výrobkom zľava doprava neprechádzajte nožom na trávu cez pokosený materiál.
- Skôr než začnete zbierať pokosený materiál, zastavte motor a výrobok zložte z popruhu. Položte výrobok na zem.

## Kosenie trávy použitím vyžínacej hlavy

### Vyžínanie trávy

1. Vyžínaciu hlavu držte okamžite nad zemou a v uhle. Netlačte lanko vyžínача na trávnik.



2. Skráťte dĺžku lanka vyžínача na 10 – 12 cm.
3. Znížte otáčky motora, aby ste znížili riziko poškodenia rastlín.
4. Pri kosení trávnik v blízkosti predmetov používajte plyn na 80 %.



### Odstránenie trávy

1. Vyžínaciu hlavu udržiavajte nad zemou.
2. Nakloňte vyžínaciu hlavu.
3. Vyžínacím lankom obkoste predmety v pracovnej oblasti.

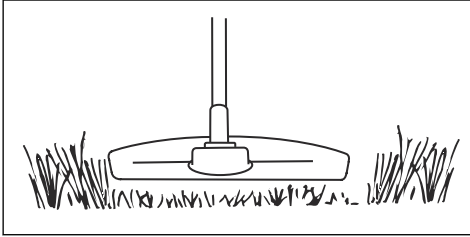


**VAROVANIE:** Koste trávu. Ak vyžínacie lanko naráža do iných predmetov, zvyšuje sa jeho opotrebovanie.

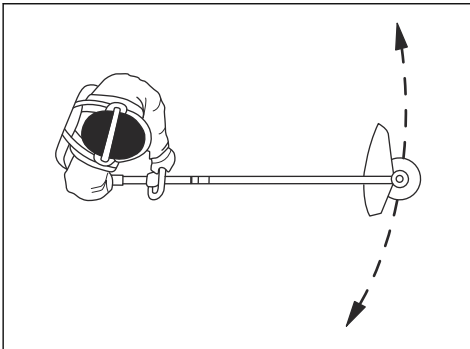
4. Pri kosení a čistení oblasti od vegetácie používajte 80 % nastavenie otáčok. Tým sa zníži opotrebovanie vyžínacej hlavy a vyžínacieho lanka.

## Kosenie trávniku

1. Pri kosení trávniku sa uistite, že je lanko vyžínača rovnobežne so zemou.



2. Netlačte vyžínaciu hlavu k zemi. Mohlo by to viesť k poškodeniu výrobku.
3. Pri kosení trávniku posúvajte výrobok zo strany na stranu. Použite maximálne otáčky.



## Odpratávanie trávy

Prúd vzduchu z rotujúceho žacieho lanka je možné použiť na odpratávanie trávy z požadovanej plochy.

1. Podržte vyžínaciu hlavu a žacie lanko vodorovne nad zemou.
2. Použite plný plyn.
3. Pohybom vyžínacej hlavy zo strany do strany môžete trávu odfukovať.



**VÝSTRAHA:** Pri každom založení nového žacieho lanka očistite kryt vyžínacej hlavy, aby ste zamedzili narušeniu rovnováhy a vibrovaniu rukovätí. Taktiež skontrolujte ostatné časti vyžínacej hlavy a v prípade potreby ich očistite.

## Údržba

### Úvod

že rozumiete informáciám, ktoré sú v nej uvedené.



**VÝSTRAHA:** Pred údržbou výrobku si prečítajte kapitolu o bezpečnosti a uistite sa,

### Plán údržby

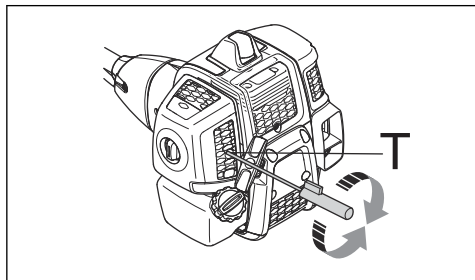
Údržba	Denne	Týždenne	Mesačne
Vyčistite vonkajšie povrchy.	X		
Skontrolujte, či nie je popruh poškodený.	X		
Vykonajte kontrolu páčky plynu a poistky páčky plynu. Pozrite si časť <i>Kontrola poistky páčky plynu na strane 487</i> .	X		
Skontrolujte prípadné známky poškodenia rukoväte a držadla, pričom sa uistite, že sú správne upevnené.	X		
Skontrolujte vypínač. Pozrite si časť <i>Kontrola vypínača na strane 488</i> .	X		
Skontrolujte, či sa pri voľnobehu neotáča rezací nadstavec.	X		

Údržba	Denne	Týždenne	Mesačne
Vyčistite vzduchový filter. V prípade poškodenia vykonajte výmenu.	X		
Skontrolujte, či nie je kryt rezacieho nadstavca poškodený alebo prasknutý.	X		
Uistite sa, že je pilový kotúč alebo nôž na trávu správne upevnený. Uistite sa, že je pilový kotúč alebo nôž na trávu ostrý a nie je poškodený.	X		
Skontrolujte, či sa na vyžínacej hlave nenachádzajú známky poškodenia alebo praskliny. V prípade poškodenia vykonajte výmenu.	X		
Úplne utiahnite poistnú maticu pre rezacie nadstavce s poistnou maticou.	X		
Skontrolujte prípadné známky poškodenia transportného krytu a uistite sa, že je správne upevnený.	X		
Dotiahnite matice a skrutky.	X		
Skontrolujte tesnosť motora, palivovej nádrže a rozvodov paliva.	X		
Skontrolujte, či štartér a štartovacie nie sú poškodené.		X	
Skontrolujte zapalovaciu sviečku. Pozrite si časť <i>Kontrola zapalovacej sviečky na strane 505</i> . V prípade potreby vymeňte zapalovaciu sviečku. Skontrolujte, či je zapalovacia sviečka správne nasadená.		X	
Vyčistite vonkajší povrch karburátora a jeho okolie.		X	
Skontrolujte, či je kužeľový prevod správne naplnený mazivom. Pozrite si časť <i>Kužeľové ozubené koleso na strane 505</i> .		X	
Skontrolujte, či nie je palivový filter znečistený a či nie je palivová hadica prasknutá alebo inak poškodená. V prípade potreby ich vymeňte.			X
Skontrolujte všetky káble a konektory.			X
Vymeňte zapalovaciu sviečku. Skontrolujte, či je zapalovacia sviečka správne nasadená.			X

## Nastavenie voľnobežných otáčok

Ihla vysokých otáčok a ihla nízkych otáčok sú pevne nastavené a nemožno ich upraviť. Voľnobežné otáčky sú jediná funkcia, ktorú je možné upraviť.

1. Naštartujte motor a pred úpravou voľnobežných otáčok sa uistite, že sa zohrial.
2. Otáčajte skrutku voľnobežných otáčok v smere hodinových ručičiek, kým sa rezací nadstavec nezačne otáčať.



3. Otáčajte skrutku voľnobežných otáčok proti smeru hodinových ručičiek, kým sa rezací nadstavec nezastaví.
4. Voľnobežné otáčky musia byť nižšie ako otáčky, pri ktorých sa začne otáčať rezací nadstavec. Voľnobežné otáčky sú nastavené správne, ak motor beží plynulo vo všetkých polohách.

## Údržba tmiča výfuku

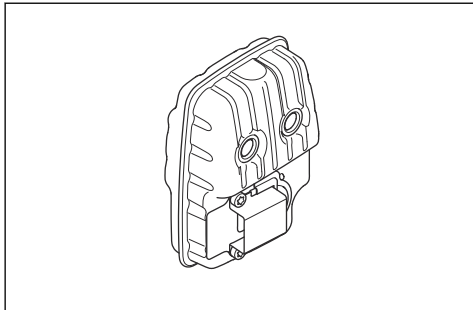
Tmič výfuku znižuje hladinu hluku a smeruje výfukové plyny motora mimo obsluhujúceho pracovníka.



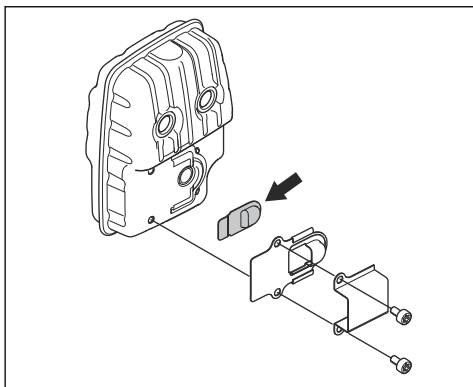
**VÝSTRAHA:** Tmiče výfuku s katalyzátorom sa počas prevádzky veľmi zahrejú a zostanú horúce určitý čas po zastavení výrobku. Platí to aj pri voľnobehu. Ak sa dotknete výrobku, môžete si popáliť pokožku. Myslite na nebezpečenstvo vzniku požiaru.

1. Zastavte výrobok a nechajte ho vychladnúť.

## 2. Odstráňte tlmíč výfuku.



## 3. Odmontujte skrutky, ktoré držia sitko zachytávača iskier.



## 4. Ak je sitko zachytávača iskier zanesené, vyčistite ho. Ak je poškodené, vymeňte ho.



**VAROVANIE:** Ak je sitko zachytávača iskier poškodené, je potrebné vymeniť ho. Nepoužívajte výrobok, ak sitko zachytávača iskier na tlmíči výfuku chýba alebo je poškodené.

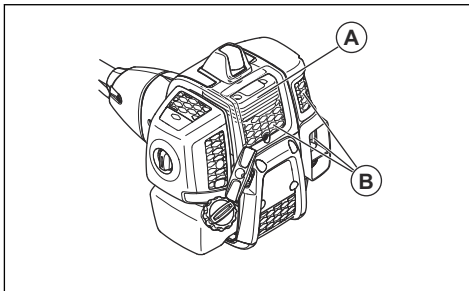


**VAROVANIE:** Ak je sitko zachytávača iskier často zanesené, môže to znamenať, že výkon katalyzátora je znížený. Spojte sa so servisným predajcom, aby tlmíč výfuku skontroloval. Zablokované sitko zachytávača iskier spôsobí prehriatie a môže spôsobiť poškodenie valca a piestu.

## Čistenie/vykonávanie údržby chladiaceho systému

Tento výrobok disponuje chladiacim systémom. Znečistený alebo zablokovaný chladiaci systém zapríčiňuje prehrievanie výrobku, čo môže spôsobiť poškodenie piesta a valca. Skontrolujte a očistite chladiaci systém raz za týždeň alebo aj častejšie, ak

výrobok používate v náročných podmienkach. Chladiaci systém má chladiace rebrá na valci (A) a nasávaní vzduchu (B).



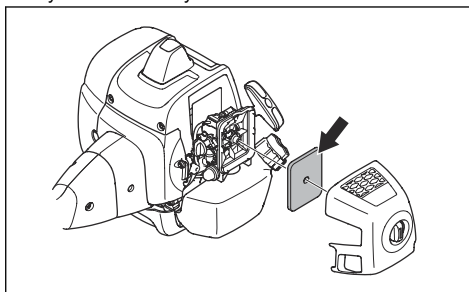
## Vzduchový filter

Špinavý vzduchový filter môže spôsobiť poruchu karburátora, problémy pri štartovaní, zníženie výkonu motora a opotrebovanie dielov motora. Zároveň núti motor spotrebúvať viac paliva, než je potrebné. Čistite filter v 8-hodinových intervaloch a v prípade práce v prašnom prostredí aj častejšie.

**Poznámka:** Po očistení alebo výmene vzduchového filtra môže byť nutné upraviť nastavenia motora. Pozrite si časť *Nastavenie voľnobežných otáčok na strane 503*.

## Čistenie a kontrola vzduchového filtra

### 1. Vyberte vzduchový filter.



### 2. Vyčistíte pletený vzduchový filter stlačeným vzduchom.



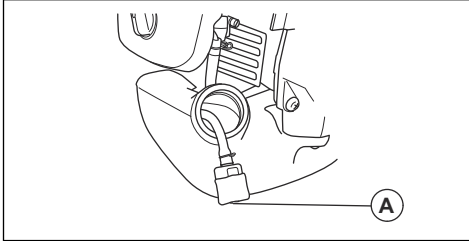
**VAROVANIE:** Pletený vzduchový filter, ktorý sa nedá úplne vyčistiť alebo je poškodený, vymeňte. Poškodený pletený vzduchový filter chladiča vždy vymeňte.

### 3. Očistíte vnútorný povrch krytu vzduchového filtra. Použite stlačený vzduch alebo kefkú.



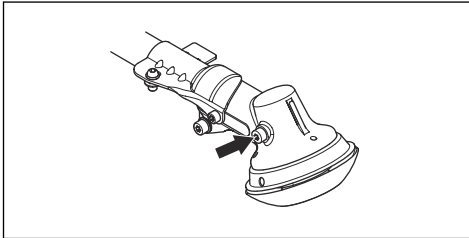
## Palivový filter

Ak sa do motora dodáva nedostatočné množstvo paliva, skontrolujte, či je vzduchový otvor vo viečku palivovej nádrže a palivový filter (A) čistý.



## Kuželové ozubené koleso

Kuželový prevod je naplnený správnym množstvom maziva už vo výrobnom závode. Pred použitím výrobku skontrolujte, či je kuželový prevod naplnený do 3/4 mazivom. Použite špeciálne mazivo McCulloch.



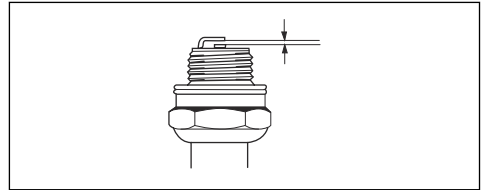
Okrem prípadov opravy kuželového prevodu nie je potrebné vymeniť mazivo v kuželovom prevode.

## Kontrola zapalovacej sviečky



**VAROVANIE:** Vždy používajte odporúčaný typ zapalovacej sviečky. Nesprávny typ zapalovacej sviečky môže spôsobiť poškodenie výrobku.

- Ak má motor slabý výkon, ťažko sa štartuje alebo pri voľnobežných otáčkach nefunguje správne, skontrolujte zapalovaciu sviečku.
- Ak chcete znížiť riziko prítomnosti neželaného materiálu na elektródach zapalovacej sviečky, postupujte takto:
  - a) Uistite sa, že voľnobežné otáčky sú správne nastavené.
  - b) Uistite sa, že používate správnu zmes paliva.
  - c) Uistite sa, že je čistý vzduchový filter.
- Ak je zapalovacia sviečka znečistená, očistite ju a skontrolujte, či je medzera medzi elektródami správna. Pozrite si časť *Technické údaje na strane 505*.



- V prípade potreby vymeňte zapalovaciu sviečku.

## Technické údaje

	B40 B Elite	B40 BT Elite
<b>Motor</b>		
Objem valca, cm <sup>3</sup>	40,1	40,1
Priemer valca, Ø mm	40,5	40,5
Dĺžka zdvihu valca, mm	31,1	31,1
Voľnobežné otáčky, ot./min	3000	3000
Odporúčané max. otáčky, ot./min	12000	12000
Otáčky výstupného hriadeľa, ot./min	8220	8220
Max. výkon motora, v súlade s ISO 8893, kW pri ot./min	1,5 pri 9000	1,5 pri 9000
<b>Systém zapalovania</b>		
Zapalovacia sviečka	NGK CMR7H-10	NGK CMR7H-10
Vzdialenosť elektród, mm	0,9 - 1,0	0,9 - 1,0

	B40 B Elite	B40 BT Elite
<b>Systém paliva a mazania</b>		
Výrobca/typ karburátora	Ruixing H225D-	Ruixing H225D-
Objem palivovej nádrže, l/cm <sup>3</sup>	1 / 1000	1 / 1000
<b>Hmotnosť</b>		
Bez paliva, rezacieho nadstavca a krytu, kg	7,3	7,4
<b>Emisie hluku<sup>55</sup></b>		
Nameraná úroveň hlučnosti dB(A)	112	112
Zaručená L <sub>WA</sub> úroveň hlučnosti dB(A)	118	118
<b>Hladiny hluku<sup>56</sup></b>		
Ekvivalentná hladina akustického hluku pri uchu používateľa, meraná podľa normy EN ISO 11806 a ISO 22868, dB(A), min./max.		
Vybavené vyžínacou hlavou (originál)	100	100
Vybavené nožom na trávu (originál)	99	99
Vybavený pílovým kotúčom (originál)	–	99
<b>Úrovne vibrácií<sup>57</sup></b>		
Ekvivalentná hladina vibrácií (a <sub>hv,eq</sub> ) na rukovätiach meraná podľa normy EN ISO 11806 a ISO 22867, m/s <sup>2</sup> :		
Vybavené vyžínacou hlavou (originál), vľavo/vpravo	3,4 / 4,4	3,4 / 4,4
Vybavené nožom na trávu (originál), vľavo/vpravo	5,2 / 5,1	5,2 / 5,1
Vybavený pílovým kotúčom (originál), vľavo/vpravo	–	4,5 / 4,2

B40 B Elite, B40 BT Elite		
Schválené príslušenstvo	Typ	Kryt rezacieho nadstavca, č. dielu
Stredový otvor rezacieho/sekacieho nástroja, Ø 25,4 mm		
Závit vývodu M12		
Nôž na trávu/rezací zub na trávu	Nôž na trávu 255-4 1 palec (Ø 255, 4 zuby)	580 30 50-01
	Nôž na trávu 255-3 (Ø 255, 3 zuby)	580 30 50-01

<sup>55</sup> Hladina hluku meraná ako akustický tlak (L<sub>WA</sub>) v súlade s európskou smernicou 2000/14/ES. Uvádzaná hladina akustického výkonu pre stroj bola meraná s originálnym rezacím nadstavcom, ktorý produkuje najvyššiu úroveň. Rozdiel medzi zaručeným a nameraným akustickým výkonom spočíva v tom, že zaručený akustický výkon zahŕňa aj rozptyl výsledkov merania a rozdiely medzi jednotlivými strojmi rovnakého modelu v súlade so smernicou 2000/14/ES.

<sup>56</sup> Uvádzané údaje pre ekvivalentnú hladinu akustického hluku stroja majú typický štatistický rozptyl (štandardnú odchýlku) 1 dB (A).

<sup>57</sup> Uvádzané údaje pre ekvivalentný stupeň vibrácií majú typický štatistický rozptyl (štandardnú odchýlku) 1 m/s<sup>2</sup>.

<b>B40 B Elite, B40 BT Elite</b>		
Píllový kotúč	Píllový kotúč 200-22 (ø 200, 22 zubov)	581 33 84-01
Vyžínacia hlava	P35	580 30 50-01
Podporná miska	Pevné	-

---

# ES vyhlásenie o zhode

---

## ES vyhlásenie o zhode

**Husqvarna AB**, SE-561 82 Huskvarna, Švédsko, tel.: +46--36--146500, vyhlasuje, že vyžinač **McCulloch B40 B Elite** so sériovými číslami od roku 2021 (rok je zreteľne uvedený na výkonovom štítku, za ním nasleduje sériové číslo) vyhovuje požiadavkám SMERNICE RADY:

- zo 17. mája 2006, „Smernica o strojoch“ **2006/42/ES**
- z 26. februára 2014 „vzťahujúcej sa na elektromagnetickú kompatibilitu“, **2014/30/EÚ**,
- z 8. mája 2000 týkajúca sa emisií hluku zariadení používaných vo vonkajšom priestore **2000/14/ES**. Hodnotenie zhody podľa dodatku V. Informácie týkajúce sa emisií hluku nájdete v kapitole Technické údaje.
- z 8. júna 2011 „o obmedzení používania určitých nebezpečných látok v elektrických a elektronických zariadeniach“, **2011/65/EÚ**.

Boli uplatnené nasledujúce normy:

**EN ISO 12100:2010, CISPR 12:2007+A1:2009, EN ISO 14982:2009, EN ISO 11806-1:2011, EN IEC 63000:2018**

Spoločnosť RISE SMP Svensk Maskinprovning AB, Box 7035, SE-750 07 Uppsala, Sweden z poverenia spoločnosti Husqvarna AB vykonala dobrovoľnú typovú skúšku. Certifikáty majú čísla: **SEC/12/2339** – B40 B Elite, B40 BT Elite,

Spoločnosť RISE SMP Svensk Maskinprovning AB tiež potvrdila súlad s dodatkom V smernice rady 2000/14/EG.

Huskvarna, 2020-08-25



Pär Martinsson, manažér pre oblasť vývoja  
(autorizovaný zástupca spoločnosti Husqvarna AB  
a osoba zodpovedná za technickú dokumentáciu)

---

## Sadržaj

---

Uvod.....	509	Održavanje.....	529
Bezbednost.....	511	Tehnički podaci.....	533
Sklapanje.....	519	EZ deklaracija o usaglašenosti.....	535
Rukovanje.....	522	.....	0

---

## Uvod

---

### Opis proizvoda

Proizvod je čistač sa SUS motorom.

Neprestano radimo na povećanju bezbednosti i efikasnosti rada. Obratite se serviseru za više informacija.

### Oblast primene

Koristite proizvod sa sečivom testere, listom za travu ili trimi glavom za rezanje različitih tipova vegetacije. Nemojte koristiti proizvod za druge zadatke osim

košenja trave, čišćenja trave i čišćenja šume. Koristite sečivo testere za rezanje vlaknastih tipova drveta. Koristite list za travu ili trimi glavu za košenje trave.

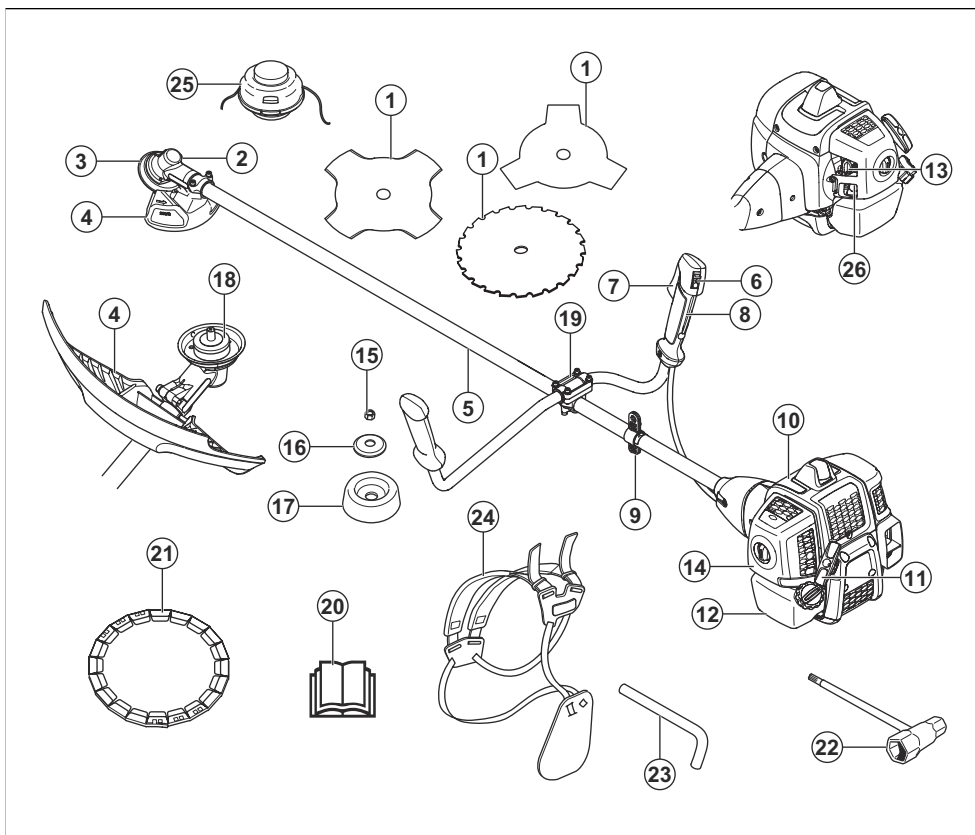
---

**Napomena:** Državni ili lokalni propisi mogu da regulišu korišćenje. Poštujte date propise.

---

Koristite proizvod samo sa opremom koja je odobrena od strane proizvođača. Pogledajte *Tehnički podaci na stranici 533*.

## Pregled proizvoda



1. Nož (nije dostupan za sva tržišta)
2. Poklopac za sipanje maziva, menjač ugla
3. Menjač ugla
4. Štitnik nastavka za rezanje
5. Osovina
6. Prekidač za zaustavljanje
7. Prekidač gasa
8. Kočnica gasa
9. Prsten vešanja
10. Poklopac cilindra
11. Ručica startera
12. Rezervoar za gorivo
13. Kontrola čoka
14. Poklopac filtera za vazduh
15. Stezna navrtka
16. Oslona prirubnica
17. Oslona šolja
18. Upravljački zahvatnik

19. Stezaljka upravljača
20. Korisničko uputstvo
21. Transportni štitnik (nije dostupan za sva tržišta)
22. Ključ
23. Blokirajuća osovinica (za proizvode bez imbus ključa)
24. Uprtač
25. Trimi glava
26. Pumpa za vazduh

## Simboli na proizvodu



**UPOZORENJE!** Ovaj proizvod je opasan. Ako se proizvod ne koristi na ispravan način i pažljivo može doći do telesnih povreda ili smrti rukovaoca ili prisutnih osoba. Da bi se sprečile telesne povrede rukovaoca ili prisutnih osoba, pročitajte i pridržavajte se svih bezbednosnih uputstava u korisničkom uputstvu.



Pre korišćenja pažljivo pročitajte korisničko uputstvo i uverite se da razumete njegov sadržaj.



Koristite zaštitni šlem na lokacijama gde predmeti mogu pasti na vas. Koristite odobrenu zaštitu za sluh. Koristite odobrenu zaštitu za oči.



Koristite odobrene zaštitne rukavice.



Nosite neklizajuće i čvrste čizme.



Proizvod može prouzrokovati izbacivanje predmeta, što može da izazove telesnu povredu.



Maksimalna brzina izlazne osovine.



Održavajte minimalno rastojanje od 15 m / 50 stopa od osoba i životinja tokom rada proizvoda.



Opasnost od udara noža ako oprema za rezanje dodirne predmet koji odmah ne odseče. Proizvod može odseći delove tela. Održavajte minimalno rastojanje od 15 m / 50 stopa od osoba i životinja tokom rada proizvoda.



Koristite samo fleksibilnu žicu za sečenje. Nemojte koristiti metalne elemente za sečenje. Primerite ovo za opremu štitnika za travu.



Strelice prikazuju ograničenje za položaj ručice.



Pumpa za vazduh.



Sipanje goriva.



Čok.



Emisije buke emitovane u okruženju u skladu sa evropskom Direktivom 2000/14/EZ i propisom o zaštiti radova u okruženju (kontrola buke) Novog Južnog Velsa iz 2017. Podaci o emisiji buke su navedeni na nalepnici mašine i u poglavlju *Tehnički podaci na stranici 533.*



Proizvod je usaglašen sa važećim direktivama EZ.

yyyywwxxxx

Pločica tipa ili lasersko štampanje prikazuje serijski broj. **yyyy** je godina proizvodnje, a **ww** je nedelja proizvodnje.

**Napomena:** Ostali simboli/nalepnice na proizvodu se odnose na zahteve u vezi sa sertifikacijom na drugim tržištima.

## Odgovornost za proizvod

Kako je izloženo u zakonima o odgovornosti za proizvode, mi nismo odgovorni za oštećenja prouzrokovana našim proizvodom u sledećim slučajevima:

- proizvod je popravljen na pogrešan način
- proizvod je popravljen korišćenjem delova koji nisu napravljeni ili odobreni od strane proizvođača
- proizvod ima opremu koja ne potiče ili nije odobrena od strane proizvođača
- proizvod nije popravljen u ovlašćenom servisnom centru ili od strane ovlašćenog stručnjaka

## Emisije Euro V.



**UPOZORENJE:** Neovlašćene prepravke motora poništavaju EU tip odobrenja za ovaj proizvod.

## Bezbednost

### Bezbednosne definicije

Definicije navedene u nastavku pružaju nivo ozbiljnosti za svaku signalnu reč.



**UPOZORENJE:** Telesne povrede osoba.



**OPREZ:** Oštećenje proizvoda.

**Napomena:** Ove informacije olakšavaju korišćenje proizvoda.

## Opšta bezbednosna uputstva



**UPOZORENJE:** Pročitajte upozoravajuća uputstva koja slede pre korišćenja proizvoda.

- Ovaj proizvod pri radu stvara elektromagnetno polje. Ovo polje u određenim uslovima može da izazove smetnje na aktivnim i pasivnim medicinskim implantatima. U cilju smanjenja rizika od uslova nastanka teških ili smrtnih telesnih povreda, preporučujemo osobama koje imaju medicinske implantate da se pre upotrebe ovog proizvoda konsultuju sa lekarom ili proizvođačem implantata.
- Nemojte da koristite proizvod kada ste umorni, bolesni ili pod uticajem alkohola, droge ili lekova. To ima negativan uticaj na vašu moć vida, opreznost, koordinaciju i rasuđivanje.
- Nemojte rukovati proizvodom po lošem vremenu, kao što je gusta magla, jaka kiša, snažan vetar i velika hladnoća. Rad sa proizvodom po lošem vremenu može vas umoriti i stvoriti dodatne opasnosti, kao što je zaleđeno tlo i nepredviđeni smer pada.
- Uvek budite pažljivi i koristite zdrav razum. Ako ste nesigurni u pogledu radne situacije ili procedura rukovanja nakon što ste pročitali korisničko uputstvo, obratite se servisnom agentu pre nastavka rada.
- Uklonite kapicu svećice ako vam proizvod neće biti u vidokrugu.

## Bezbednosna uputstva za sklapanje



**UPOZORENJE:** Pročitajte upozoravajuća uputstva koja slede pre korišćenja proizvoda.

- Nosite odobrene zaštitne rukavice prilikom sklapanja proizvoda i priključka za košenje.
- Uklonite kapicu sa svećice pre sklapanja proizvoda.
- Uverite se da su odgovarajući upravljač i štitnik priključka za košenje postavljeni pre nego što počnete da radite sa proizvodom.
- Oštećeni ili neispravni štitnik priključka za košenje može da izazove telesnu povredu. Nemojte koristiti priključak za košenje bez odobrenog štitnika priključka za košenje.
- Pravilno postavite poklopac kvačila i osovину pre nego što pokrenete proizvod.

- Pogonski disk i oslonca prirubnica moraju da tačno nalegnu u centralni otvor priključka za košenje. Priključak za košenje koji je nepravilno pričvršćen može da izazove telesnu povredu ili smrt.
- Postavite uprtač na proizvod kako biste sprečili telesnu povredu rukovoaca ili drugih osoba.

## Bezbednosna uputstva za rad



**UPOZORENJE:** Pročitajte upozoravajuća uputstva koja slede pre korišćenja proizvoda.

- Pre korišćenja proizvoda, naučite i razumite razliku između čišćenja šume, čišćenja trave i košenja trave.
- Koristite ličnu zaštitnu opremu, pogledajte *Lična zaštitna oprema na stranici 513*.
- Dugotrajno izlaganje buci može prouzrokovati trajni gubitak sluha. Uvek koristite odobrenu zaštitu za uši.
- Trudite se da čujete signale upozorenja i glasne uzvike kada koristite zaštitu za uši. Uvek skinite zaštitu za uši nakon zaustavljanja motora.
- Nikada nemojte koristiti proizvod ako je izmenjen ili oštećen.
- Proverite da nema oštećenja na kapici svećice i kablju paljenja kako biste izbegli rizik od strujnog udara.
- Pogledajte oko radnog područja kako biste se uverili da ne postoji negativan uticaj od osoba, životinja ili predmeta na bezbedan rad proizvoda.
- Pogledajte oko radnog područja kako biste se uverili da nema osoba ili životinja koje dodiruju priključak za košenje ili su udarene od strane predmeta koji su izbačeni od priključka za košenje.
- Nemojte koristiti proizvod u situacijama ili na lokacijama gde vam ne može biti pružena pomoć ako se desi nesrećni slučaj.
- Nemojte koristiti proizvod bez odobrenog štitnika priključka za košenje.
- Pobrinite se da osobe ili životinje budu na rastojanju od najmanje 15 m/50 stopa tokom rada. Uvek pogledajte iza sebe pre nego što se okrenete sa proizvodom. Odmah zaustavite proizvod ako osoba ili životinja uđe u bezbednosnu zonu od 15 m/50 stopa. Ako više od jednog rukovoaca radi u istom području, održavajte bezbedno rastojanje od najmanje 2 puta visine drveta i najmanje 15 m/50 stopa.
- Pregledajte radno područje. Izbegavajte sve slobodne predmete, kao što je kamenje, slomljeno staklo, ekseri, čelična žica i vrpca, koji bi mogli da budu odbačeni ili da se obmotaju oko priključka za košenje.
- Uverite se da možete da se krećete na bezbedan način i da imate siguran stav. Pregledajte područje oko vas da biste videli da li ima prepreka kao što su



korenje, kamenje, grane i jarci. Budite pažljivi tokom rada na nagibima.



- Nemojte se preterano naginjati. Održavajte stabilan položaj stopala i dobru ravnotežu sve vreme.
- Pre nego što pokrenete proizvod, stavite ga na ravnu površinu, najmanje 3 m/10 stopa od izvora goriva i mesta na kojem ste punili gorivo. Uverite se da nema predmeta koji su u blizini ili dodiruju priključak za košenje.
- Ako se priključak za košenje okreće pri brzini praznog hoda, neka vam servisni agent to podesi. Nemojte koristiti proizvod pre nego što je podešen ili popravljen.
- Pazite na izbačene predmete. Uvek nosite odobrenu zaštitu za oči i držite se podalje od štitnika priključka za košenje. Kamenje i drugi mali predmeti mogu biti izbačeni i pogoditi vas u oči što može da rezultira slepošću ili drugim telesnim povredama.
- Nemojte spuštati proizvod dok motor radi osim ako imate jasan pogled na njega.
- Nemojte uklanjati isečeni materijal niti dozvoljavati drugim osobama da uklanjaju isečeni materijal dok motor radi ili se oprema za rezanje okreće jer to može imati za posledicu tešku telesnu povredu.
- Uvek zaustavite motor i uverite se da se oprema za rezanje ne okreće pre nego što uklonite materijal koji se obmotao oko osovine noža ili uhvatio između štitnika priključka za košenje i priključka za košenje.
- Budite pažljivi prilikom uklanjanja materijala oko opreme za rezanje. Menjač ugla se zagreva u toku rada i može da izazove opekotine.
- Izduvni gasovi iz motora su vrući i mogu sadržavati varnice. Rizik od požara. Budite pažljivi oko suvih i zapaljivih materijala.
- Nikad nemojte koristiti proizvod u zatvorenom prostoru ili na mestima koja nemaju odgovarajuću ventilaciju. Izduvni gasovi sadrže ugljen-monoksid, otrovan i veoma opasan gas bez mirisa.
- Zaustavite motor pre nego što pređete u novo radno područje. Uvek pričvrstite zaštitu za transportovanje pre nego što pomerite opremu.
- Preterano izlaganje vibracijama može da ošteti krvotok, ili pak da ošteti nerve kod ljudi koji imaju problema sa krvotokom. Obratite se lekaru ako imate simptome preterane izloženosti vibracijama. Ovi simptomi uključuju utrnulost, gubitak osećaja, trnce,

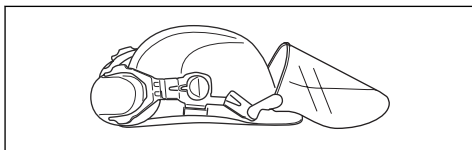
bockanje, bol, gubitak snage, promene u boji ili stanju kože. Simptomi se obično pojavljuju u prstima, šakama ili zglobovima. Rizik se može povećati prilikom nižih temperatura.

## Lična zaštitna oprema

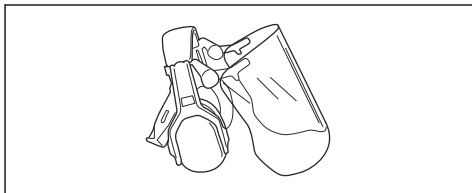


**UPOZORENJE:** Pročitajte upozoravajuća uputstva koja slede pre korišćenja proizvoda.

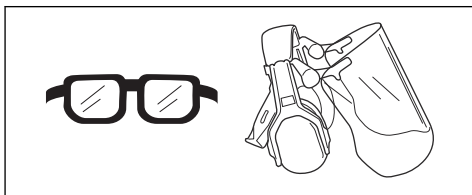
- Uvek koristite odobrenu ličnu zaštitnu opremu kada koristite proizvod. Lična zaštitna oprema ne može da u potpunosti spreči telesnu povredu, ali ona umanjuje stepen telesne povrede ako dođe do nesrećnog slučaja. Neka vam vaš prodavac pomogne u izboru odgovarajuće opreme.
- Nosite šlem ako drveće u radnom području ima visinu veću od 2 m/6,5 stopa.



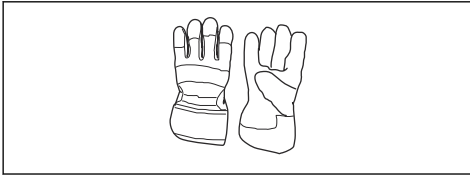
- Koristite odobrenu zaštitu za uši.



- Koristite odobrenu zaštitu za oči. Prilikom korišćenja vizira istovremeno se moraju koristiti odobrene zaštitne naočare. Odobrene zaštitne naočare jesu takve koje ispunjavaju standard ANSI Z87.1 u SAD ili EN 166 u zemljama Evropske unije.



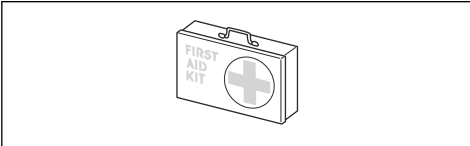
- Nosite rukavice po potrebi, na primer, kada pričvršćujete, pregledate ili čistite opremu za rezanje.



- Nosite zaštitne čizme sa čeličnim delom na prstima i neključnim donovima.



- Nosite odeću napravljenu od jake tkanine. Uvek nosite debele, dugačke pantalone i dugačke rukave. Nemojte nositi široku odeću koja može da se zakači o grančice i grane. Nemojte nositi nakit, kratke pantalone ili sandale. Nemojte hodati bosonogi. Sklonite kosu tako da vam bude iznad ramena.
- Neka vam komplet za prvu pomoć bude u blizini.



## Bezbednosni uređaji na proizvodu

Za informacije o tome gde da pronađete bezbednosne uređaje, pogledajte *Štitnik priključka za košenje na stranici 515*.



**UPOZORENJE:** Pročitajte upozoravajuća uputstva koja slede pre korišćenja proizvoda.

- Nemojte koristiti proizvod na kojem su oštećeni bezbednosni uređaji. Redovno proveravajte i održavajte bezbednosne uređaje. Ako su bezbednosni uređaji neispravni, obratite se svom McCulloch servisnom agentu.
- Nemojte vršiti izmene na bezbednosnim uređajima. Nemojte koristiti proizvod ako zaštitni poklopci, sigurnosni prekidači ili drugi zaštitni uređaji nisu postavljeni ili su oštećeni.
- Za sva servisiranja i popravke proizvoda, naročito za bezbednosne uređaje, potrebna je specijalna obuka. Ako bezbednosni uređaji ne prođu provere navedene u ovom korisničkom uputstvu, potrebno je potražiti pomoć od servisnog agenta. Garantujemo dostupnost stručnih popravki i servisa. Ako vaš

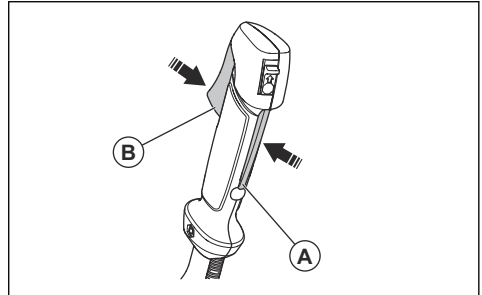
prodavac nije servisni agent, obratite mu se za informacije o najbližem servisnom agentu.

- Nemojte koristiti priključak za košenje bez odobrenog i pravilno pričvršćenog štitnika priključka za košenje. Pogledajte *Tehnički podaci na stranici 533*.

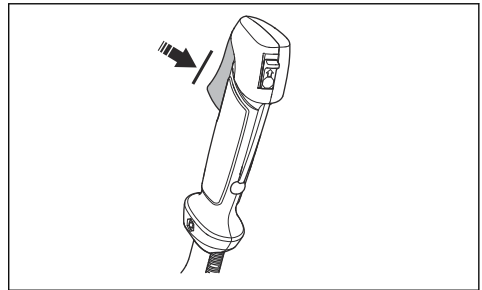
## Provera blokade obarača gasa

Blokada gasa osmišljena je tako da sprečava slučajno pomeranje kontrole gasa.

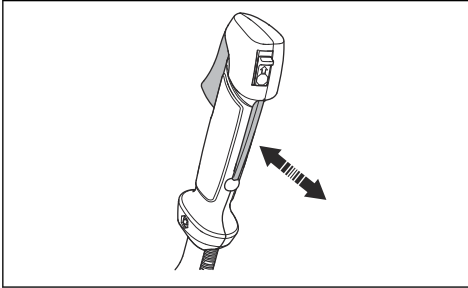
1. Pritisnite blokadu prekidača gasa (A) i uverite se da je kontrola gasa otpuštena (B). Kada otpustite ručicu, i kontrola gasa i blokada prekidača gasa se vraćaju u prvobitne položaje. To kretanje kontrolišu dve povratne opruge. Ovakvim sklopom obezbeđuje se automatsko blokiranje kontrole gasa u postavci praznog hoda.



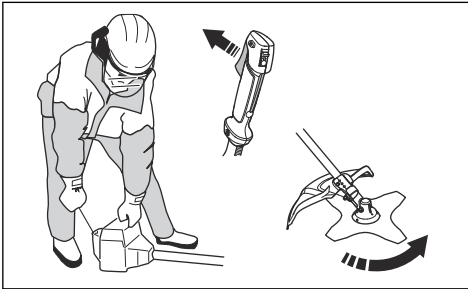
2. Uverite se da je kontrola gasa blokirana u postavci praznog hoda kada je blokada prekidača gasa otpuštena.



3. Pritisnite blokadu prekidača gasa i uverite se da se vraća u početni položaj kada je otpustite.

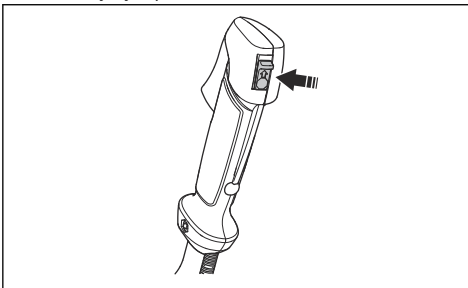


4. Proverite da li se kontrola gasa i blokada prekidača gasa slobodno pomeraju i da li ispravno rade povratne opruge.
5. Pokrenite proizvod (pogledajte uputstva pod *Pokretanje i zaustavljanje na stranici 524*) i dajte pun gas.
6. Otpustite ručicu za gas i prekontrolišite da li se zaustavlja priključak za košenje i da li ostaje u zaustavljenom položaju. Podesite karburator ako se priključak za košenje pomera dok je gas u položaju praznog hoda. Pogledajte uputstva u poglavlju *Podešavanje brzine praznog hoda na stranici 530*.



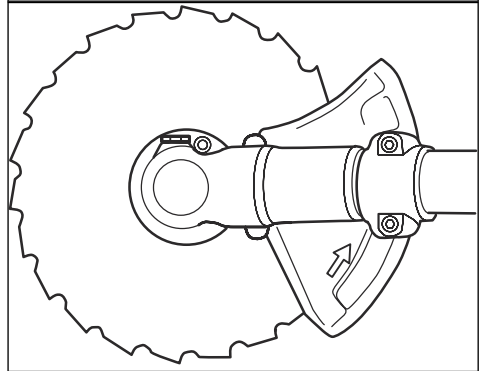
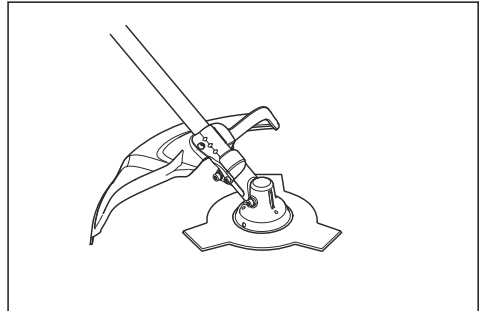
#### Da biste proverili rad prekidača za zaustavljanje

1. Pokrenite motor.
2. Pomerite prekidač za zaustavljanje u položaj za zaustavljanje i proverite da li se motor zaustavio.



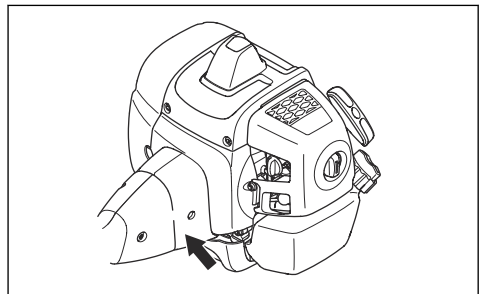
#### Štitnik priključka za košenje

Štitnik priključka za košenje sprečava da nefiksirani predmeti budu izbačeni u smeru rukovaoca. Pregledajte štitnik priključka za košenje da biste videli ima li oštećenja i zamenite ga ako je oštećen. Koristite samo odobreni štitnik za priključak za košenje.



#### Da biste proverili sistem prigušenja vibracija

Sistem prigušenja vibracija smanjuje vibracije u ručicama na minimum što olakšava proces rada.



1. Zaustavite motor.
2. Izvršite vizuelni pregled deformacija i oštećenja, poput naprslina.
3. Vodite računa o pravilnom postavljanju elemenata sistema za ublažavanje vibracija.

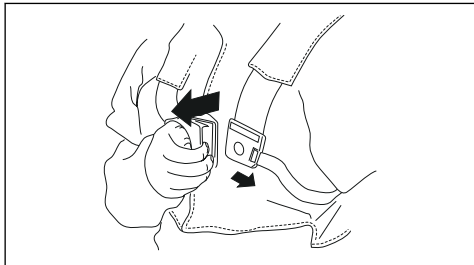
## Da biste izvršili pregled mehanizma za brzo oslobađanje



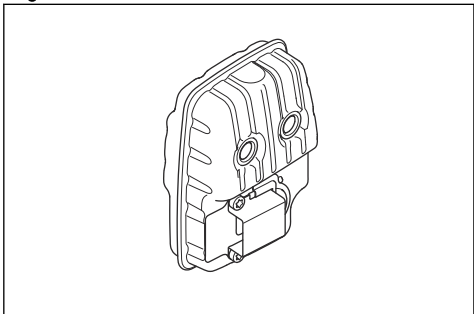
**UPOZORENJE:** Nemojte koristiti uprtač sa neispravnim mehanizmom za brzo oslobađanje.

Mehanizam za brzo oslobađanje omogućava rukovaocu da brzo ukloni proizvod sa uprtača u hitnom slučaju.

1. Zaustavite motor.
2. Izvršite vizuelni pregled u pogledu oštećenja, na primer, naprslina.
3. Otpustite i pričvrstite mehanizam za brzo oslobađanje da biste se uverili da ispravno funkcioniše.



## Prigušivač



- Nemojte koristiti motor sa oštećenim prigušivačem. Oštećeni prigušivač povećava nivo buke i rizik od požara. Neka vam pri ruci bude aparat za gašenje požara.
- Redovno proveravajte da je prigušivač pričvršćen na proizvod.
- Nemojte dodirivati motor ili prigušivač dok motor radi. Nemojte dodirivati motor ili prigušivač neko vreme nakon zaustavljanja motora. Vruće površine mogu da izazovu telesnu povredu.
- Vruć prigušivač može da izazove požar. Budite naročito pažljivi ako koristite proizvod blizu zapaljivih tečnosti ili isparenja.
- Nemojte dodirivati delove prigušivača ako je prigušivač oštećen. Delovi mogu da sadrže izvesne kancerogene hemikalije.

- Redovno čistite mrežicu hvatača varnica ako je vaš proizvod ima.

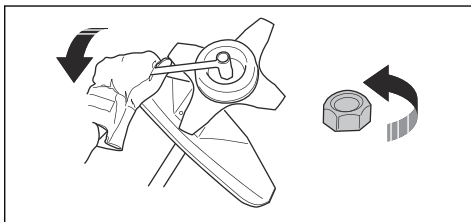
## Pričvršćivanje i uklanjanje stezne navrtke



**UPOZORENJE:** Zaustavite motor, nosite zaštitne rukavice i budite oprezni oko oštih ivica priključka za košenje.

Stezna navrtka se koristi za postavljanje određenih tipova priključaka za košenje. Stezna navrtka ima levi navoj.

- Da biste postavili, pritegnite steznu navrtku suprotno od smeru okretanja priključka za košenje.
- Da biste uklonili steznu navrtku, otpuštanje stezne navrtke se vrši u smeru okretanja priključka za košenje.
- Da biste olabavili i pritegnuli steznu navrtku, koristite nasadni ključ sa dugom osovinom. Strelica na slici prikazuje oblast gde možete rukovati ključem za navrtke.



**UPOZORENJE:** Kada olabavljujete i pritežete steznu navrtku, postoji opasnost od povrede nožem. Kada ovo radite, uvek morate da se uverite da štitnik noža sprečava povredu vaše ruke.

**Napomena:** Uverite se da se stezna navrtka ne može ručno okretati. Zamenite navrtku ako najlonska obloga nema otpor od najmanje 1,5 Nm. Stezna navrtka se mora zameniti nakon što se stavi oko 10 puta.

## Oprema za sečenje

Izaberite i održavajte opremu za sečenje kako bi se:

- Ostvarile maksimalne performanse sečenja.
- Produžio vek trajanja opreme za sečenje.
- Pridržavajte se uputstava za proveru, održavanje i servisiranje prigušivača.
- Uvek koristite preporučeni štitnik za opremu za sečenje. Pogledajte poglavlje Tehnički podaci.



**UPOZORENJE:** Koristite samo priključke za košenje sa štitnicima koje smo preporučili! Videti poglavlje o Tehničkim podacima. Pogledajte uputstva za priključak

za košenje da biste proverili pravilan način postavljanja trimi niti i pravilan prečnik trimi niti.



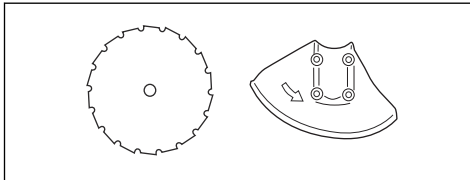
**UPOZORENJE:** Neispravan uređaj za rezanje može povećati opasnost od nesrećnih slučajeva.



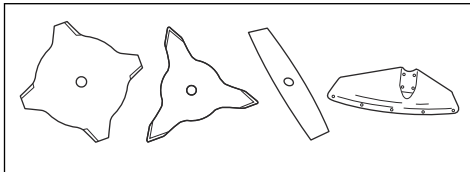
**UPOZORENJE:** Zaustavite uvek motor pre nego što budete radili nešto na uređaju za rezanje. On nastavlja da se okreće čak i kada se otpusti ručica za gas. Uverite se da se priključak za košenje potpuno zaustavio i skinite kapicu svećice pre nego što budete radili na njemu.

### Oprema za rezanje

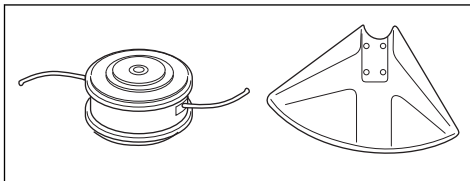
- Koristite tarup za rezanje vlaknastih tipova drveta.



- Koristite rezne listove i noževe za travu za rezanje grube trave.

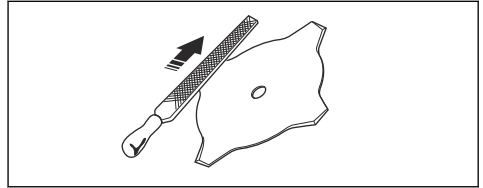


- Glavu trimera koristite za podrezivanje trave.



- Pogrešno naoštren ili oštećen rezni list povećava opasnost od nesrećnih slučajeva. Održavajte zupce reznog lista u dobrom stanju i propisno naoštrene. Pridržavajte se uputstava koje navodi *Oštrenje noževa za košenje trave i listova za košenje trave na*

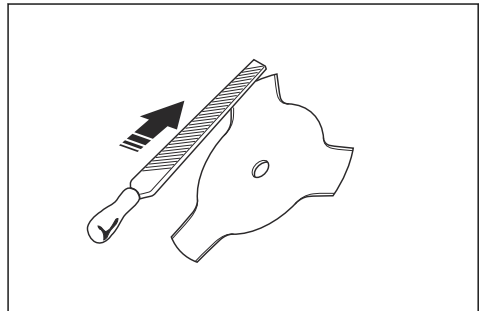
*stranici 518* i koristite preporučenu turpiju za oštrenje.



- Pregledajte da li je priključak za košenje oštećen ili naprsao. Zamenite oštećeni priključak za košenje.
- Koristite samo priključke za košenje sa preporučenim štitnicima. Pogledajte *Tehnički podaci na stranici 533*

### Sečiva

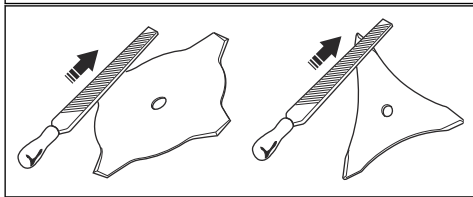
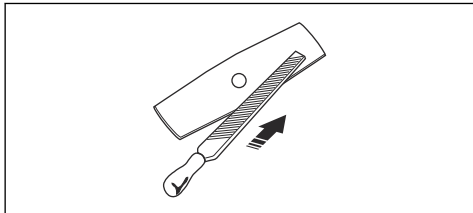
- Koristite proizvod sa odobrenim listom. Nemojte koristiti list bez ispravnog postavljanja svih potrebnih delova. Pobrinite se da se postavljanje izvrši na ispravan način i da se koriste odgovarajući delovi. Nepravilno postavljanje može prouzrokovati da list odleti i na taj način ozbiljno povredi rukovaoaca ili prisutne osobe.
- Nosite zaštitne rukavice prilikom rukovanja listom ili prilikom održavanja.
- Koristite zaštitu za glavu kada radite sa proizvodom sa listom.
- List može prouzrokovati telesnu povredu kad se okreće nakon zaustavljanja motora ili otpuštanja prekidača gasa. Uverite se da se list potpuno zaustavio pre vršenja održavanja.
- Zaustavite motor pre nego što budete radili nešto na priključku za košenje. Uverite se da se priključak za košenje potpuno zaustavio. Isključite kabl sa svećice.
- Održavajte zube sečiva u dobrom stanju i propisno naoštrene.



- Nemojte da koristite oštećeni priključak za košenje.
- Pričvrstite zaštitu za transportovanje na list prilikom transporta ili skladištenja proizvoda.

### Oštrenje noževa za košenje trave i listova za košenje trave

- Podjednako naoštrite sve ivice noževa za košenje trave i listova za košenje trave kako bi se održala ravnoteža. Koristite pljosnate turpiju sa jednostrukim rezom.

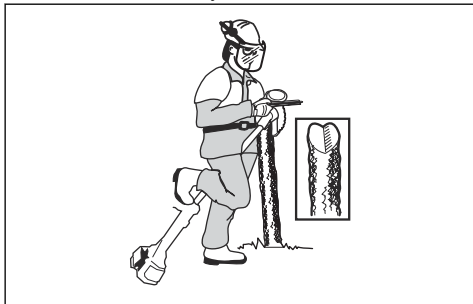


### Oštrenje sečiva testere

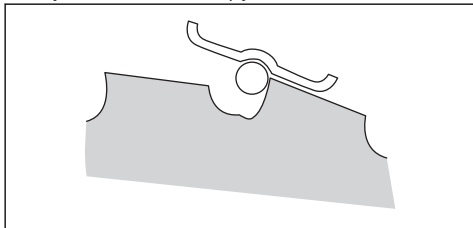


**UPOZORENJE:** Zaustavite motor.  
Koristite zaštitne rukavice.

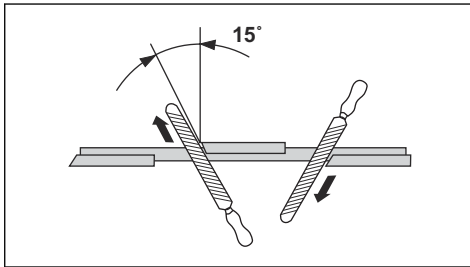
- Da biste ispravno naoštрили sečivo, pogledajte uputstva koja dolaze zajedno sa sečivom.
- Uverite se da proizvod i sečivo imaju dovoljno oslonca nakon oštrenja.



- Koristite okruglu turpiju prečnika 5,5 mm (7/32 in) zajedno sa držačem turpije.

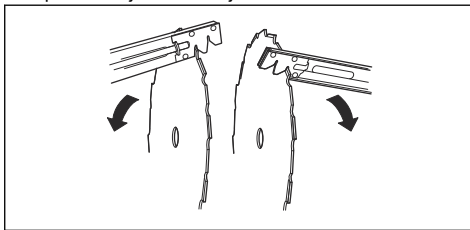


- Držite turpiju pri uglu od 15°.
- Naoštrite jedan zubac sečiva testere udesno a sledeći zubac ulevo, pogledajte ilustraciju.



**Napomena:** Naoštrite ivice zupca pomoću pljosnate turpije ako je sečivo jako pohabano. Nastavite da oštrite pomoću okrugle turpije.

- Naoštrite sve ivice podjednako kako bi se održao balans sečiva.
- Postavite sečivo na 1 mm (0,04 in) pomoću preporučene alatke za postavljanje. Pogledajte uputstva koja dolaze zajedno sa sečivom.

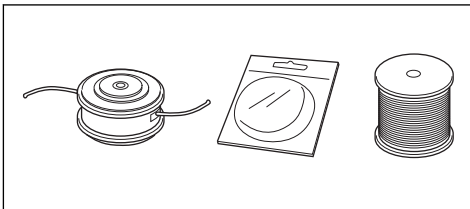


**UPOZORENJE:** Uvek odbacite sečivo koje je oštećeno. Nemojte pokušavati da ispravite savijeno ili uvijeno sečivo i da ga ponovo koristite.

### Glava trimera



**UPOZORENJE:** Uvek vodite računa da je trimi nit čvrsto i ravnomerno omotana oko bubnja da bi se sprečile štetne vibracije.



- Koristite samo preporučene trimi glave i trimi niti.
- Koristite samo preporučene priključke za košenje.
- Manje mašine zahtevaju manje trimi glave i obrnuto.

- Dužina trimi niti je važna. Duži gajtan trimera zahteva veću jačinu motora nego što je to slučaj kod kratkog gajtana sa istim prečnikom gajtana.
- Proverite da li je nož koji se nalazi na zaštitu trimera neoštećen. Time se reže trimi nit na ispravnu dužinu.
- Potopite trimi nit u vodu tokom nekoliko dana pre korišćenja kako biste povećali dužinu radnog veka.

## Bezbednost oko goriva

- Nemojte pokretati proizvod ako na njemu postoje tragovi goriva ili motornog ulja. Uklonite neželjeno gorivo/ulje i sačekajte da se proizvod osuši. Uklonite neželjeno gorivo sa proizvoda.
  - Ako prospete gorivo na odeću, odmah je presvucite.
  - Nemojte dozvoliti da gorivo dospe na vaše telo, ono može izazvati telesnu povredu. Ako gorivo dospe na vaše telo, uklonite ga pomoću sapuna i vode.
  - Nemojte pokretati motor ako prospete ulje ili gorivo na proizvod ili vaše telo.
  - Nemojte pokretati proizvod ako postoji curenje iz motora. Redovno proveravajte da li postoji curenje iz motora.
  - Budite oprezni pri rukovanju gorivom. Gorivo je zapaljivo a isparenja su eksplozivna i mogu izazvati telesne povrede ili smrt.
  - Nemojte udisati isparenja goriva, to može izazvati telesnu povredu. Pobrinite se da ima dovoljno protoka vazduha.
  - Nemojte pušiti u blizini goriva ili motora.
  - Nemojte stavljati vruće predmete blizu goriva ili motora.
  - Nemojte dolivati gorivo kada motor radi.
  - Uverite se da je motor hladan pre dopunjavanja goriva.
- Pre dopunjavanja goriva, lagano otvorite poklopac rezervoara za gorivo i pažljivo otpustite pritisak.
  - Nemojte dolivati gorivo u motor u zatvorenom prostoru. Nedovoljan protok vazduha može izazvati telesnu povredu ili smrt usled gušenja ili prisustva ugljen-monoksida.
  - Pažljivo zategnite poklopac rezervoara za gorivo ili može doći do požara.
  - Pomerite proizvod najmanje 3 m (10 stopa) od položaja gde ste punili rezervoar pre pokretanja.
  - Nemojte sipati previše goriva u rezervoar za gorivo.
  - Pobrinite se da ne može doći do curenja kada pomerite proizvod ili kantu za gorivo.
  - Nemojte stavljati proizvod ili kantu za gorivo na mesto gde postoji otvoreni plamen, varnice ili pilot gorionik. Uverite se da u skladišnom prostoru nema otvorenog plamena.
  - Koristite samo odobrene kante za gorivo prilikom prenošenja ili skladištenja goriva.
  - Ispraznite rezervoar za gorivo pre dugotrajnog skladištenja. Pridržavajte se lokalnog zakona u pogledu mesta odlaganja goriva.
  - Očistite proizvod pre dugotrajnog skladištenja.
  - Skinite kabl svećice pre skladištenja proizvoda kako biste osigurali da se motor ne može slučajno pokrenuti.

## Bezbednosna uputstva za održavanje

- Obratite se servisnom centru ako niste u mogućnosti da podesite brzinu praznog hoda potrebnu za zaustavljanje priključka za košenje. Nemojte koristiti proizvod pre nego što je pravilno podešen ili popravljen.

## Sklapanje



**UPOZORENJE:** Pročitajte poglavlje o bezbednosti pre sklapanja proizvoda.

### Uvod



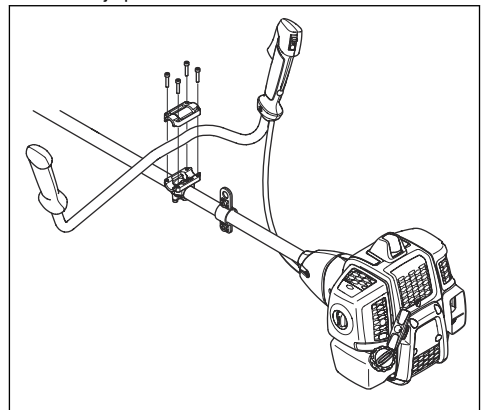
**UPOZORENJE:** Pre sklapanja proizvoda, morate pročitati i razumeti poglavlje o bezbednosti.



**UPOZORENJE:** Uklonite kabl svećice sa svećice pre sklapanja proizvoda.

## Postavljanje drške

1. Pričvrstite ručicu za upravljanje na montažni nosač kao što je prikazano.



## Postavljanje listova i trimi glava



**UPOZORENJE:** Koristite samo odobreni štitnik za rezne listove. Pogledajte *Tehnički podaci na stranici 533*. Oštećeni štitnik može da izazove telesnu povredu.

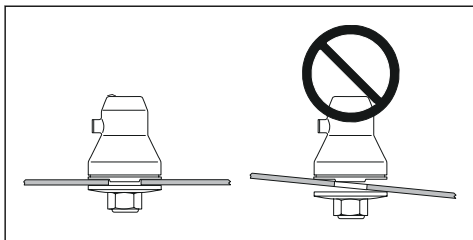


**UPOZORENJE:** Ako radite sa proizvodom sa listom za košenje trave, prvo postavite ispravnu ručicu, zaštitu reznog lista i uprtač.



**UPOZORENJE:** Ako ne postavite listove na ispravan način, to može dovesti do telesne povrede.

1. Uverite se da se podignuti odeljak na zahvatniku/ oslonj prilubnici pravilno zaključa u središnji otvor listova.
2. Postavite listove.



## Postavljanje štitnika noža, lista za travu i noža za travu

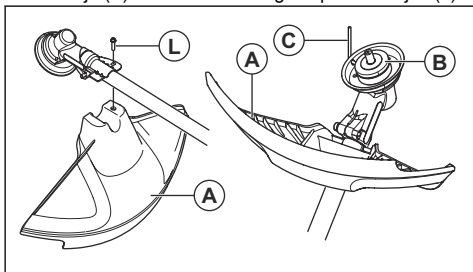


**OPREZ:** Koristite samo odobreni štitnik za rezne listove. Pročitajte korisničko uputstvo.

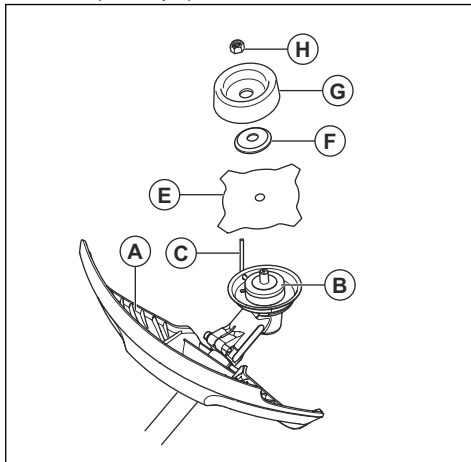


**OPREZ:** Uverite se da je produžetak štitnika uklonjen.

1. Pričvrstite zaštitu reznog lista/štitnik priključka za košenje (A) na osovinu i zategnite pomoću vijka (L).



2. Montirajte upravljački zahvatnik (B) na izlaznoj osovinu.
3. Okrećite izlaznu osovinu sve dok se jedan od otvora na pogonskom disku ne izravna sa odgovarajućim otvorom na kucištu menjača.
4. Stavite trn za osiguranje (C) u otvor tako da se osovinu osigura.
5. Stavite nož (E), oslonu prilubnicu (F) i oslonu šolju (G) na izlaznu osovinu.
6. Postavite navrtku (H). Držite osovinu ključa što je moguće bliže štitniku reznog lista. Da biste zategnuli navrtku, morate okrenuti ključ u smeru suprotnom od rotacije. Zategnite navrtku na obrtni momenat od 35–50 Nm (3,5–5 kpm).



**Napomena:** Levi navoj.

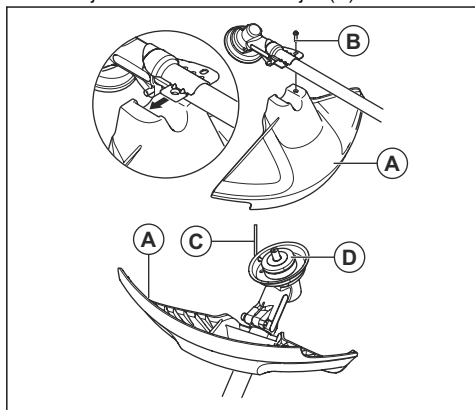
## Postavljanje štitnika trimera i trimi glave

**Napomena:** Uverite se da koristite odgovarajući štitnik za datu glavu trimera.

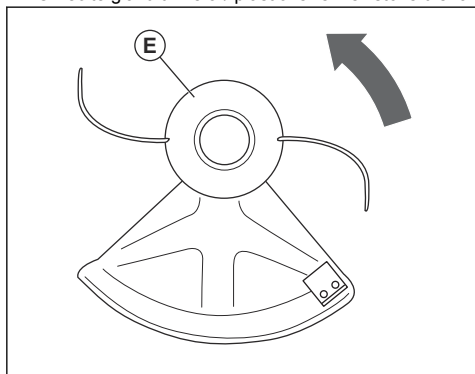
1. Postavite odgovarajući štitnik trimera / kombinovani štitnik (A) za glavu trimera.



- Postavite štitnik trimera / kombinovani štitnik na osovinu i pričvrstite ga vijkom (B). Koristite blokirajuću osovinicu ili imbus ključ (C).



- Postavite blokirajuću osovinicu ili imbus ključ (C) u žleb na glavi zavrtnja i pritegnite.
- Pričvrstite pogonski disk (D) na izlaznu osovinu.
- Okrećite izlaznu osovinu sve dok se jedan od otvora na pogonskom disku ne izravna sa odgovarajućim otvorom na kućištu menjača.
- Stavite trn za osiguranje ili imbus ključ (C) u otvor tako da se osovinu blokira.
- Sastavite glavu trimera / plastične rezne listove (E). Okrećite glavu trimera / plastične rezne listove ulevo.



- Demontaža se vrši obrnutim redosledom.

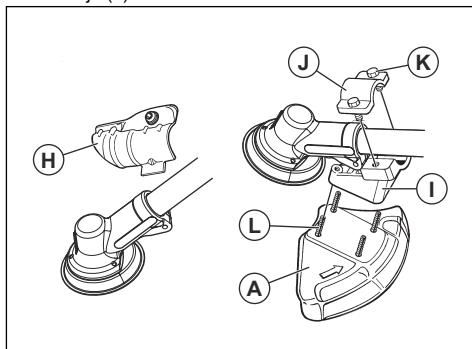
## Postavljanje štitnika sečiva i sečiva testere



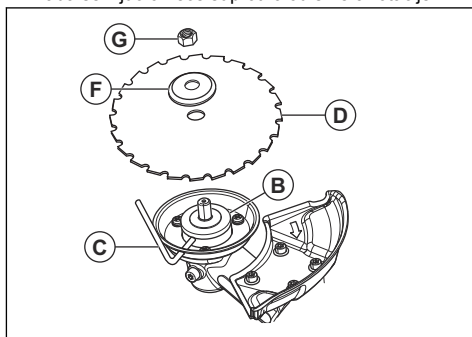
**OPREZ:** Koristite samo odobreni štitnik za rezne listove. Pogledajte *Tehnički podaci na stranici 533*.

- Uklonite montažnu ploču (H).
- Postavite adapter (I) i držač (J) pomoću dva zavrtnja (K).

- Postavite štitnik sečiva (A) na adapter pomoću 4 zavrtnja (L).

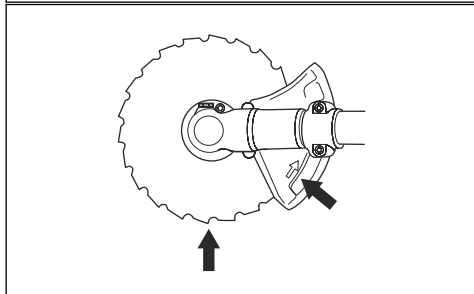
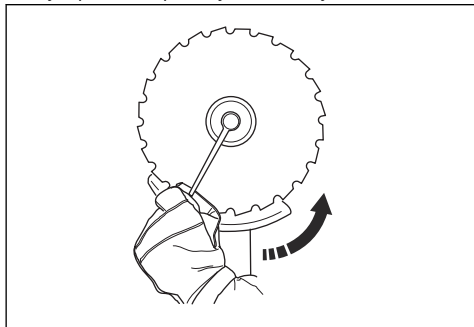


- Montirajte upravljački zahvatnik (B) na izlaznoj osovinu.
- Okrenite osovinu lista sve dok se otvor zahvatnika ne poklopi sa odgovarajućim otvorom na kućištu menjača.
- Uložite trn za osiguranje (C) u otvor tako da se osovinu osigura.
- Postavite nož (D) i oslonu prirubnicu (F) na izlaznu osovinu.
- Postavite navrtku (G). Navrtku treba zategnuti na obrtni momenat od 35-50 Nm (3,5-5kpm). Koristite ključ iz alatnog pribora. Držite dršku ključa što je moguće bliže zaštitni reznog lista. Navrtka se priteže kada se ključ okreće suprotno od smeru rotacije.



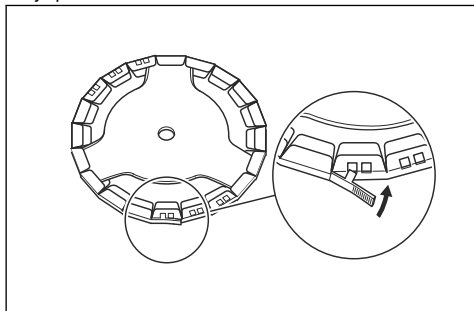
**Napomena:** Levi navoj.

9. Prilikom otpuštanja i pritezanja navrtke lista testere postoji opasnost od oštećenja zuba lista testere. Stoga, uvek osigurajte da vam je ruka zaštićena štitnikom sečiva. Uvek koristite inbus ključ s osovinom koja je dovoljno dugačka za tu namenu. Strelica na dijagramu prikazuje gde treba da koristite ključ prilikom otpuštanja ili zatezanja.



## Postavljanje zaštite za transportovanje

1. Pričvrstite zaštitu za transportovanje na sečivo kako je prikazano na slici.



## Podešavanje uprtača

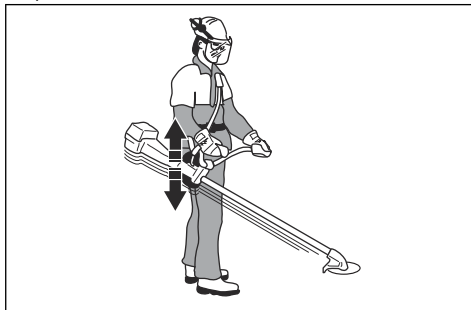


**UPOZORENJE:** Proizvod mora uvek biti sigurno pričvršćen na uprtač. Ako nije, ne možete bezbedno da upravljate proizvodom i ovo može da dovede do vaše povrede ili povrede drugih. Nemojte koristiti oštećeni uprtač. Nemojte koristiti uprtač sa neispravnim mehanizmom za brzo oslobađanje.

1. Stavite uprtač.
2. Povežite proizvod na uprtač.
3. Podesite uprtač za najbolji radni položaj.
4. Podesite bočne trake da biste težinu proizvoda ravnomerno raspodelili na ramenima.



5. Podesite uprtač tako da priključak za košenje bude paralelan sa tlom.



6. Pustite da priključak za košenje lako leži na tlu. Podesite stezaljku uprtača da biste ispravno balansirali proizvod.

**Napomena:** Ako koristite list za travu, morate ga balansirati približno 10 cm / 4 inča iznad tla.

## Rukovanje



**UPOZORENJE:** Pročitajte i shvatite poglavlje o bezbednosti pre rada sa proizvodom.

## Uvod



**UPOZORENJE:** Pre rada sa proizvodom, morate pročitati i razumeti poglavlje o bezbednosti.

## Gorivo

Ovaj proizvod ima dvotaktni motor.



**OPREZ:** Neodgovarajući tip goriva može da ošteti motor. Koristite mešavinu benzina i ulja za dvotaktni motor.

## Unapred smešano gorivo

- Koristite McCulloch unapred smešano alkiatno gorivo za najbolje radne karakteristike i produžetak radnog veka motora. To gorivo sadrži manje štetnih hemikalija od običnog goriva i tako smanjuje štetne izduvne gasove. Količina ostataka posle sagorevanja je niža u ovom gorivu, pa komponente motora ostaju čistije.

## Mešanje goriva

### Benzin

- Koristite kvalitetan bezolovni benzin sa maksimalno 10% etanola.



**OPREZ:** Nemojte koristiti benzin sa oktanskim brojem manjim od 90 RON / 87 AKI. Korišćenje benzina manjeg oktanskog broja može da izazove štetno detonantno sagorevanje u motoru.

### Ulje za dvotaktne motore

- Najbolje rezultate daje McCulloch ulje za dvotaktne motore.
- Ako McCulloch ulje za dvotaktne motore nije dostupno, koristite drugo ulje za dvotaktne motore dobrog kvaliteta za motore sa vazдушnim hlađenjem. Obratite se dileru za izbor odgovarajućeg ulja.



**OPREZ:** Nemojte koristiti ulje za dvotaktne motore za vanbrodske motore sa vodenim hlađenjem, koje se takođe naziva ulje za vanbrodske motore. Nemojte koristiti ulje za četvorotaktne motore.

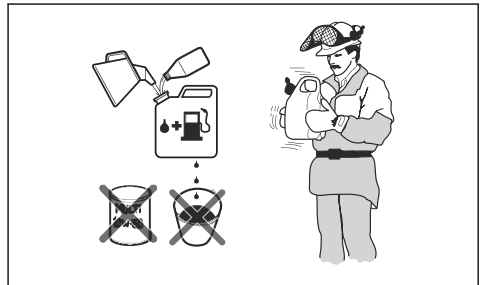
## Pravljenje mešavine benzina i ulja za dvotaktne motore

Benzin, litara	Ulje za dvotaktne motore, litara
	2% (50:1)

5	0,10
10	0,20
15	0,30
20	0,40
<b>US galon</b>	<b>US fl. oz.</b>
1	2 ½
2 1/2	6 ½
5	12 ½



**OPREZ:** Male greške mogu znatno da utiču na odnos u mešavini kad mešate male količine goriva. Pažljivo izmerite količinu ulja koja će se koristiti za mešavinu da biste dobili tačan odnos u mešavini.



- Dospite pola količine goriva u čist sud za gorivo.
- Dodajte punu količinu ulja.
- Promešajte mešavinu goriva.
- Dodajte preostalu količinu goriva u sud za gorivo.
- Pažljivo promešajte mešavinu goriva.



**OPREZ:** Ne pravite mešavinu za duže od 1 mesec unapred.

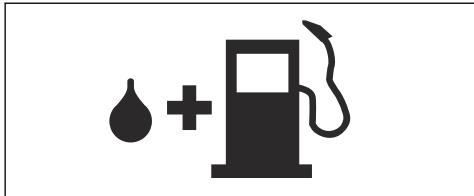
## Punjenje rezervoara za gorivo



**UPOZORENJE:** Pratite postupak koji sledi radi vaše bezbednosti.

- Zaustavite motor i pustite da se ohladi.

2. Obrišite deo oko čepa rezervoara za gorivo.



3. Promućkajte kantu i uverite se da se gorivo u potpunosti izmešalo.
4. Polako otvorite čep rezervoara za gorivo da biste izjednačili pritisak.
5. Napunite rezervoar za gorivo.



**OPREZ:** Uverite se da u rezervoaru nema previše goriva. Gorivo se širi kad se zagreje.

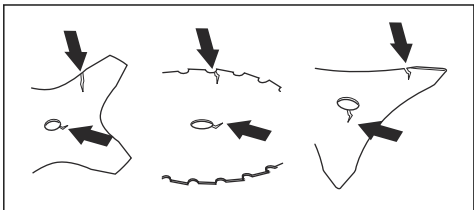
6. Pažljivo zategnite čep rezervoara za gorivo.
7. Obrišite gorivo koje je prosuto na i oko proizvoda.
8. Pomerite proizvod 3 m / 10 stopa ili dalje od mesta i izvora dolivanja goriva pre pokretanja motora.

**Napomena:** Pogledajte *Pregled proizvoda na stranici 510* da biste videli gde na proizvodu se nalazi rezervoar za gorivo.

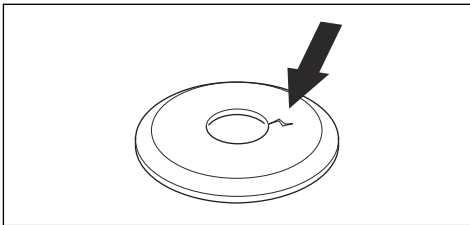
## Pokretanje i zaustavljanje

### Pre rada sa proizvodom

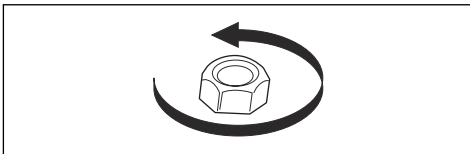
- Pregledajte radno područje da biste osigurali da znate tip terena, nagib tla, kao i to da li postoje prepreke kao što su kamenje, granje i jarci.
- Izvršite pažljivi pregled proizvoda.
- Izvršite bezbednosne preglede, održavanje i servisiranje koji su dati u ovom priručniku.
- Uverite se da su svi poklopci, štitnici, ručice i oprema za rezanje ispravno postavljeni i da nisu oštećeni.
- Proverite da nema naprslina na dnu zubaca sečiva testere ili lista za travu ili pored centralnog otvora sečiva. Zamenite sečivo ako je oštećeno.



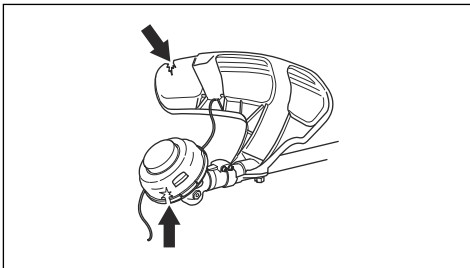
- Pregledajte oslonu prirubnicu u pogledu naprslina. Zamenite oslonu prirubnicu ako je oštećena.



- Uverite se da se stezna navrtka ne može ukloniti ručno. Ako se može ukloniti ručno, onda ne blokira priključak za košenje u dovoljnoj meri i morate je zameniti.



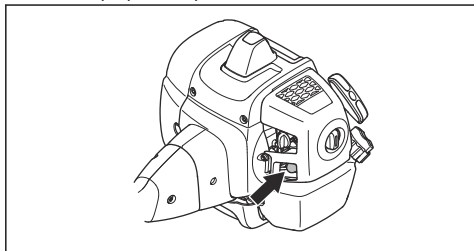
- Pregledajte štitnik lista u pogledu oštećenja ili naprsline. Zamenite štitnik lista ako je bio udaren ili ako ima naprsline.
- Pregledajte trimi glavu i štitnik priključka za košenje u pogledu oštećenja ili naprsline. Zamenite trimi glavu i štitnik priključka za košenje ako su bili udareni ili ako imaju naprsline.



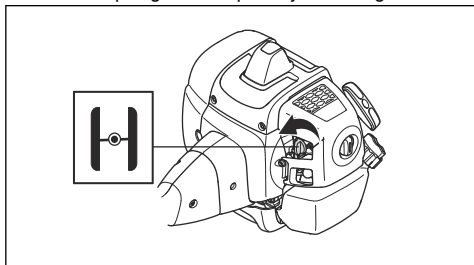
### Pokretanje motora

1. Položite proizvod na ravnu i stabilnu površinu. Nastavak za rezanje ne naslanjajte na tlo.

2. Pritiskajte pumpu za vazduh dok gorivo ne počne da se puni u pumpi. Nije potrebno da se pumpa za vazduh potpuno napuni.

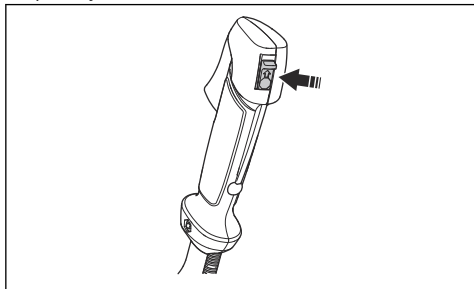


3. Pomerite polugu čoka u položaj izvučenog čoka.

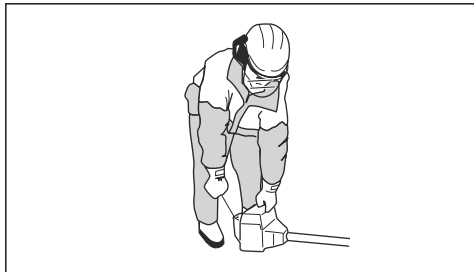


**UPOZORENJE:** Priključak za košenje će početi da se okreće odmah kada pokrenete motor sa čokom.

4. Postavite prekidač za pokretanje/zaustavljanje u položaj RUN.



5. Držite proizvod na tlu levom rukom.



6. Držite ručicu užeta startera desnom rukom.

7. Lagano izvlačite užu startera desnom rukom dok ne osetite određeni otpor.



**UPOZORENJE:** Nemojte namotavati užu startera oko ruke.

8. Brzo i snažno povucite užu. Povlačite užu startera dok se motor ne pokrene.



**OPREZ:** Nemojte da do kraja izvlačite užu startera i nemojte puštati ručicu užeta startera kada je užu startera potpuno izvučeno. To može da ošteti proizvod.

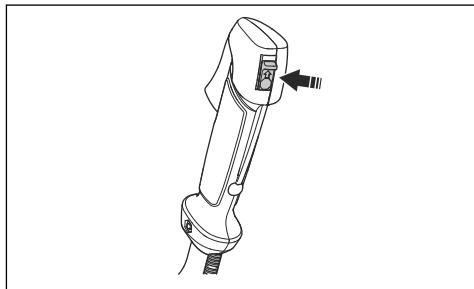
9. Ponovo namestite čok kada se motor upali.

10. Postepeno dodajte gas kada se motor pokrene.

11. Uverite se da motor ujednačeno radi i sačekajte 1–2 minuta da se zagreje pre rada.

### Zaustavljanje proizvoda

- Pritisnite prekidač za zaustavljanje da biste zaustavili motor.



### Udar noža

- Udar noža je naglo pokretanje proizvoda ustranu, unapred ili unazad. Udar noža nastaje kada nož za košenje trave udari o predmet koji se ne može poseći. Rizik od udara noža se povećava u oblastima u kojima nije lako videti materijal koji se reže.
- Kada se udar noža dogodi, postoji rizik da se proizvod ili rukovalac pomere iz položaja. Nož koji se pokreće može udariti prisutne osobe i postoji rizik od telesnih povreda.
- Ako je nož savijen, ima pukotine, slomljen je ili oštećen, morate ga odbaciti.
- Koristite oštar nož. Rizik od udara noža se povećava kada nož nije oštar.

### Opšta radna uputstva



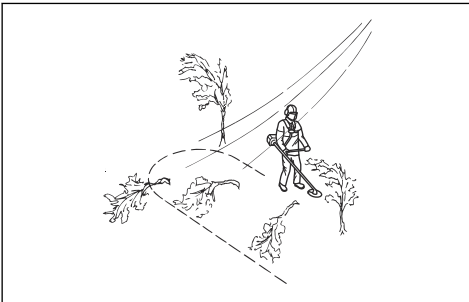
**UPOZORENJE:** Budite pažljivi prilikom rezanja napetog stabla. Može odskočiti u svoj normalni položaj pre ili

nakon reza, i udariti proizvod ili vas, te vam naneti telesnu povredu.

- Raščistite otvoreni prostor na jednom kraju radnog područja i započinite rad sa tog mesta.
- Krećite se preko radnog područja koristeći standardni obrazac kretanja.



- Pomerajte proizvod potpuno ulevo i udesno kako biste očistili širinu od 4–5 m pri svakom okretu.
- Raščistite dužinu od 75 m pre nego što se okrenete i vratite. Nosite sa sobom kantu za gorivo kako nastavljate kretanje.
- Krećite se u pravcu u kojem ne idete preko jaraka i prepreka više nego što je potrebno.
- Krećite se u pravcu u kojem vetar čini da odrezana vegetacija pada u raščišćeno područje.



- Krećite se duž nagiba, a ne gore i dole.

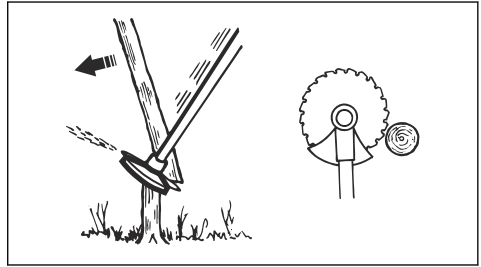
## Čišćenje šume pomoću sečiva testere

### Obaranje stabla ulevo

Za obaranje u levu stranu, pritisnite dno stabla udesno.

1. Primenite pun gas.
2. Postavite sečivo testere nasuprot stabla, kao što je prikazano na slici.

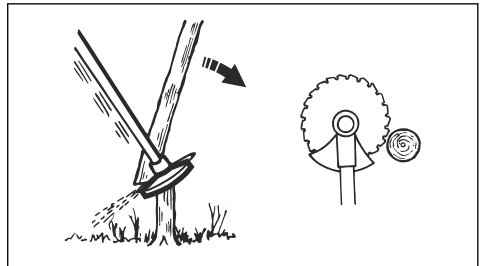
3. Nagnite sečivo testere i pritisnite ga snažno dijagonalno nadole udesno. U isto vreme, pritisnite stablo sa zaštitom lista.



### Obaranje stabla udesno

Za obaranje u desnu stranu, pritisnite dno stabla ulevo.

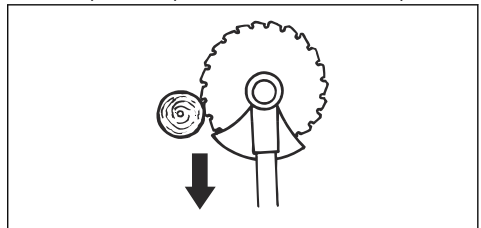
1. Primenite pun gas.
2. Postavite sečivo testere nasuprot stabla, kao što je prikazano na slici.
3. Nagnite sečivo testere i pritisnite ga snažno dijagonalno nagore i udesno. U isto vreme, pritisnite stablo sa zaštitom lista.



### Obaranje stabla unapred

Za obaranje unapred, pritisnite dno stabla unazad.

1. Primenite pun gas.
2. Postavite sečivo testere nasuprot stabla, kao što je prikazano na slici.
3. Brzim pokretom povucite sečivo testere unapred.

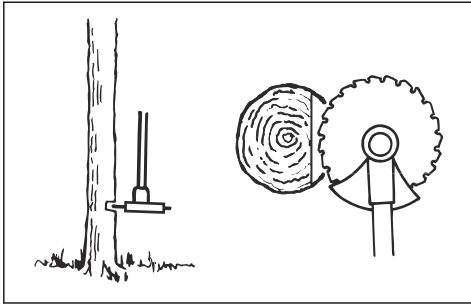


### Obaranje velikih stabala

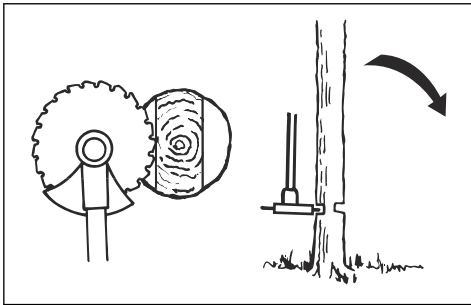
Velika stabla moraju biti sečena sa 2 strane.

1. Procenite u kom smeru će drvo pasti.
2. Primenite pun gas.

3. Načinite prvi rez na strani stabla na koju će pasti.



4. Presecite stablo sa druge strane.



**OPREZ:** Ako se sečivo testere blokira, nemojte povlačiti proizvod naglim pokretom. To može dovesti do oštećenja sečiva testere, menjača ugla, osovine ili upravljača. Pustite ručice, držite osovinu sa 2 ruke i pažljivo povucite proizvod.

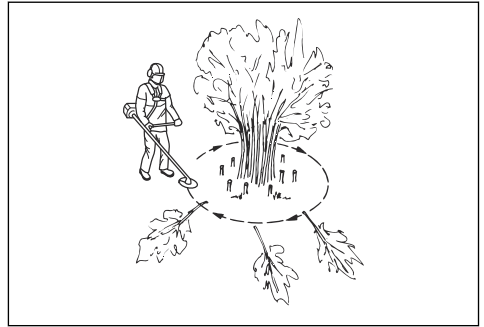
**Napomena:** Koristite više pritiska rezanja za obaranje malih stabala. Koristite manje pritiska rezanja za obaranje velikih stabala.

### Čišćenje pomoću sečiva testere

Za obaranje u levu stranu, pritisnite dno stabla udesno.

- Posecite tanka stabla i očistite.
- Pomerajte proizvod sa strane u stranu.
- Posecite dosta stabala u jednom pokretu.

• Za grupe tankih stabala:



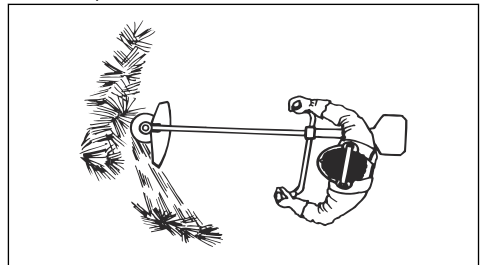
- a) Posecite visoko postavljena spoljna stabla.
- b) Posecite spoljna stabla na odgovarajuću visinu.
- c) Režite iz sredine. Ako ne možete pristupiti sredini, posecite visoko postavljena spoljna stabla i pustite ih da padnu. To smanjuje rizik da će se sečivo testere blokirati.

### Raščišćavanje trave pomoću lista za travu



**OPREZ:** Nemojte koristiti listove za travu i noževe za travu na drvetu. Koristite listove za travu i noževe za travu samo za dugačku ili tešku travu.

- Pomerajte proizvod sa strane u stranu.
- Započnite kretanje s desna na levo prilikom košenja. Pomerite proizvod udesno pre ponovnog košenja.
- Kosite pomoću leve strane lista za travu.



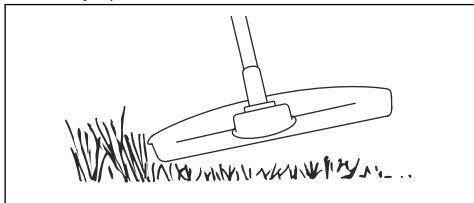
- Nameštite list za travu u levi ugao kako bi trava padala u liniji. Na taj način se olakšava sakupljanje trave.
- Održavajte stabilni položaj sa razmaknutim stopalima.
- Pomerite se unapred nakon svakog pokreta udesno i uverite se da ponovo imate stabilni položaj pre ponovnog košenja.
- Držite oslonu šolju sa blagim pritiskom o tlo kako biste bili sigurni da list za travu neće udariti o tlo.
- Pridržavajte se ovih uputstava da biste smanjili rizik da se isečeni materijal namota oko lista za travu.

- a) Primenite pun gas.
  - b) Nemojte pomerati list za travu kroz isečeni materijal kada pomerate proizvod s leve na desnu stranu.
- Pre sakupljanja isečenog materijala potrebno je da zaustavite motor i skinete proizvod sa uprtača. Spustite proizvod na tlo.

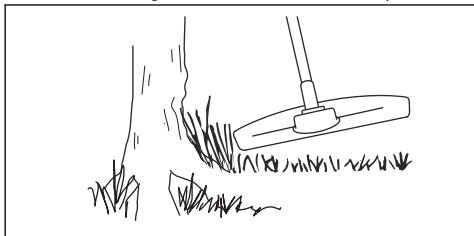
## Sečenje trave trimi glavom

### Skraćivanje trave

1. Držite glavu trimera odmah iznad tla i pod uglom. Nemojte pritiskati trimi nit u travu.



2. Smanjite dužinu trimi niti za 10–12 cm / 4–4,75 inča.
3. Smanjite brzinu motora da biste smanjili rizik od oštećenja biljaka.
4. Koristite 80% gasa kada kosite travu blizu predmeta.



### Čišćenje trave

1. Držite glavu trimera iznad zemlje.
2. Nagnite glavu trimera.
3. Podrežite krajevima strune trimera oko predmeta u radnoj oblasti.

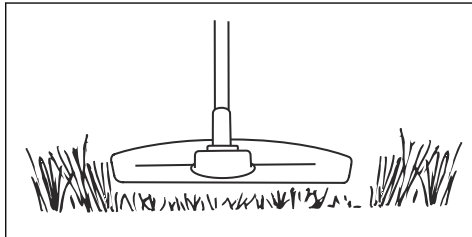


**OPREZ:** Skraćujte travu. Udaranje strune trimera o druge predmete ubrzava njeno habanje.

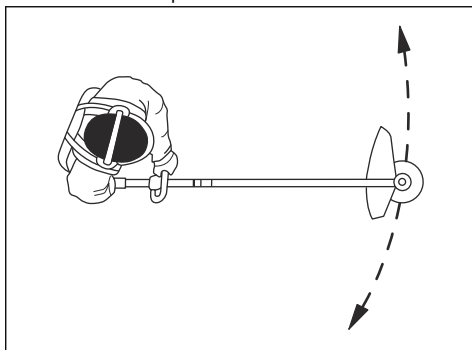
4. Koristite 80% gasa kada podređujete i raščišćavate vegetaciju. Time smanjujete habanje glave i strune trimera.

## Košenje trave

1. Uverite se da je trimi nit paralelna sa tlom prilikom košenja trave.



2. Nemojte pritiskati glavu trimera o tlo. To može prouzrokovati oštećenje proizvoda.
3. Pomerajte proizvod levo-desno prilikom košenja trave. Primenite punu brzinu.



## Pometanje trave

Protok vazduha iz rotirajuće trimi niti može se koristiti za uklanjanje isečene trave iz područja.

1. Držite trimi glavu i trimi nit paralelno sa tlom i iznad tla.
2. Primenite pun gas.
3. Pomerajte trimi glavu sa strane u stranu i raščišćavajte travu.



**UPOZORENJE:** Očistite poklopac trimi trave svaki put kada postavljate novu trimi nit kako biste sprečili neravnotežu i vibracije u ručicama. Takođe izvršite pregled drugih delova trimi glave i očistite ih po potrebi.



---

# Održavanje

---

## Uvod



**UPOZORENJE:** Pre održavanja proizvoda je potrebno da pročitate i razumete poglavlje o bezbednosti.

---

## Šema održavanja

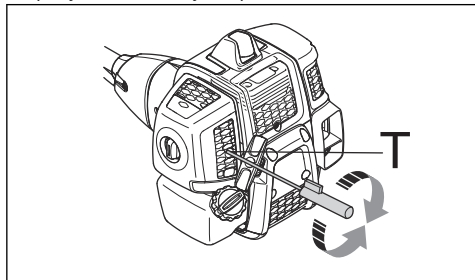
Održavanje	Dnevno	Nedeljno	Mesečno
Očistite spoljnu površinu.	X		
Pregledajte uprtač u pogledu oštećenja.	X		
Izvršite proveru blokade prekidača gasa i prekidača gasa. Pogledajte <i>Provera blokade obarača gasa na stranici 514</i>	X		
Pregledajte ručicu i upravljač u pogledu oštećenja i uverite se da su ispravno pričvršćeni.	X		
Izvršite proveru prekidača za zaustavljanje. Pogledajte <i>Da biste proverili rad prekidača za zaustavljanje na stranici 515</i>	X		
Uverite se da se priključak za košenje ne okreće pri brzini praznog hoda.	X		
Očistite filter za vazduh. Zamenite ako je potrebno.	X		
Pregledajte štitnik priključka za košenje u pogledu oštećenja i naprslina.	X		
Uverite se da je sečivo testere ili sečivo za travu pravilno postavljeno. Uverite se da sečivo testere ili sečivo za travu nije oštećeno.	X		
Pregledajte trimi glavu u pogledu oštećenja i naprslina. Zamenite ako je potrebno.	X		
Potpuno zategnite blokirajuću navrtku za priključke za košenje sa steznom navrtkom.	X		
Pregledajte zaštitu za transportovanje u pogledu oštećenja i uverite se da se može pravilno postaviti.	X		
Pritegnite navrtke i zavrtnje.	X		
Pregledajte motor, rezervoar za gorivo i vodove za gorivo u pogledu curenja.	X		
Pregledajte starter i uže startera u pogledu oštećenja.		X	
Proverite svećicu. Pogledajte <i>Pregled svećice na stranici 532</i> Zamenite svećicu ako je potrebno. Postarajte se da svećica ima prigušivač.		X	
Očistite spoljnu površinu karburatora i prostor oko njega.		X	
Uverite se da je konusni zupčanik pravilno napunjen mazivom. Pogledajte <i>Me-njač uglja na stranici 532</i>		X	
Proverite da li je filter za gorivo zaprjan. Takođe pregledajte crevo za dovod goriva u pogledu naprslina i drugih oštećenja. Zamenite ako je potrebno.			X
Pregledajte sve kablove i veze.			X
Zamenite svećicu. Postarajte se da svećica ima prigušivač.			X

## Podešavanje brzine praznog hoda

Igla velike brzine i igla male brzine su fiksirane i ne mogu da se podešavaju. Brzina praznog hoda je jedina funkcija koja može da se podešava.

1. Pokrenite motor i uverite se da se zagrejao pre podešavanja brzine praznog hoda.

- Okrećite zavrtnanj za prazan hod udesno sve dok priključak za košenje ne počne da se okreće.



- Okrećite zavrtnanj za prazan hod ulevo sve dok se priključak za košenje ne zaustavi.
- Brzina praznog hoda treba da bude manja od brzine pri okretanju priključka za košenje. Brzina praznog hoda je ispravna kada motor ravnomerno radi u svim položajima.

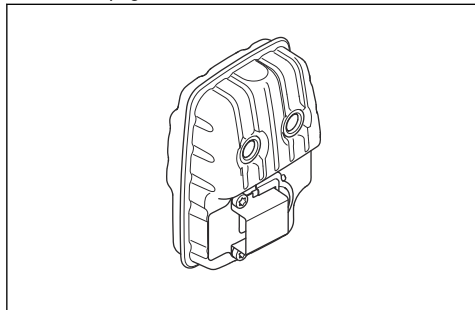
## Održavanje prigušivača

Prigušivač umanjuje nivo buke i usmerava izduvne gasove od rukovaoca.

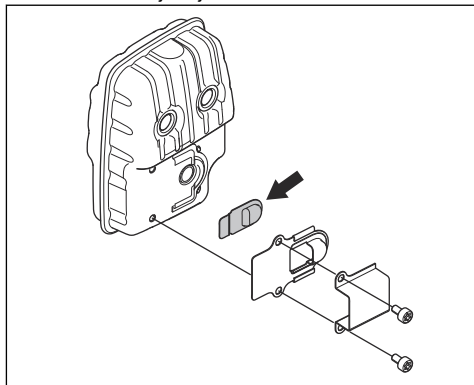


**UPOZORENJE:** Prigušivači koji imaju katalizatore se veoma greju tokom rada i ostaju vrući tokom određenog vremena nakon što zaustavite proizvod. To se odnosi i na rad u praznom hodu. Ako dodirnete proizvod, to može rezultirati opekotinama kože. Mislite na opasnost od požara.

- Zaustavite proizvod i sačekajte da se ohladi.
- Uklonite prigušivač.



- Uklonite zavrtnje koji drže mrežicu hvatača varnica.



- Očistite mrežicu hvatača varnica ako je zapušena ili je zamenite ako je oštećena.



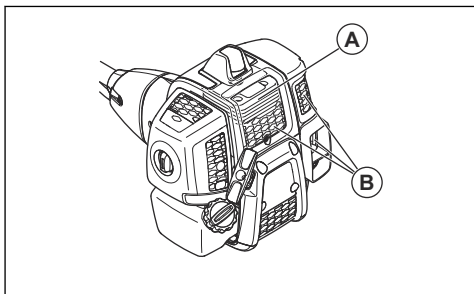
**OPREZ:** Hvatač varnica mora biti zamenjen ako je oštećen. Nemojte koristiti proizvod ako nedostaje hvatač varnica na prigušivaču ili ako je oštećen.



**OPREZ:** Ako je hvatač varnica često zapušten to može biti znak da je smanjen učinak katalizatora. Obratite se servisu radi pregleda prigušivača. Zapušeni hvatač varnica će prouzrokovati pregrevanje i rezultirati oštećenjem cilindra i klipa.

## Čišćenje/održavanje sistema za hlađenje

Ovaj proizvod ima sistem za hlađenje. Prljav ili zapušten sistem za hlađenje će dovesti do pregrevanja proizvoda, što može da ošteti klip i cilindar. Proverite i očistite sistem za hlađenje pomoću četke jednom nedeljno ili češće u zahtevnim uslovima. Sistem za hlađenje se sastoji od peraja za hlađenje na cilindru (A) i usisniku vazduha (B).



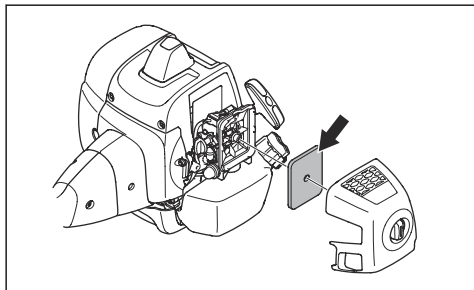
## Filter za vazduh

Zaprljan filter za vazduh može da prouzrokuje neispravnost karburatora, probleme pri pokretanju, gubitak snage motora i habanje delova motora. Takođe čini da motor koristi više goriva nego što je potrebno. Očistite filter u intervalu od 8 časova, ili češće ako je proizvod radio u prašnjavim uslovima.

**Napomena:** Može biti potrebno podešavanje motora kada je filter za vazduh očišćen ili zamenjen. Pogledajte *Podešavanje brzine praznog hoda na stranici 530.*

## Čišćenje i pregled filtera za vazduh

1. Uklonite filter za vazduh.



2. Očistite filcni usisnik za vazduh komprimiranim vazduhom.

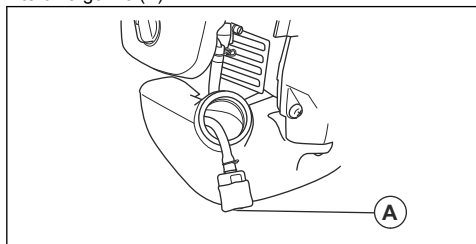


**OPREZ:** Zamenite filcni filter za vazduh ako ne može da se dobro očisti. Uvek zamenite oštećeni filcni filter za vazduh.

3. Očistite unutrašnju površinu poklopca filtera. Koristite komprimirani vazduh ili četku.

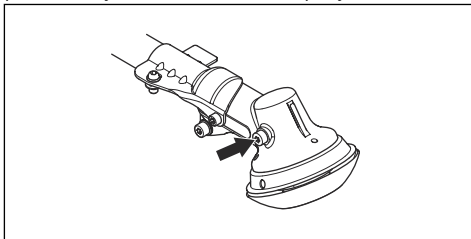
## Filter za gorivo

Ako oslabi dovod goriva u motor, uverite se da nije došlo do začepljenja na poklopcu rezervoara za gorivo i na filteru za gorivo (A).



## Menjač ugla

Menjač ugla je u fabrici napunjen odgovarajućom količinom maziva. Ali, pre korišćenja proizvoda, uverite se da je menjač ugla napunjen 3/4 mašču za podmazivanje. Koristite McCulloch specijalno mazivo.



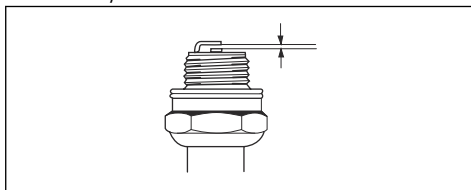
Ne morate da menjate mazivo u konusnom zupčanicu osim ako ga ne popravljate.

## Pregled svećice



**OPREZ:** Uvek koristite preporučeni tip svećice. Neodgovarajući tip svećice može da ošteti proizvod.

- Pregledajte svećicu ako je snaga motora mala, ako se teško pokreće ili nepravilno radi u praznom hodu.
- Da biste smanjili rizik od nakupljanja neželjenog materijala na elektrodama svećice, poštujujte sledeća uputstva:
  - a) Uverite se da je broj obrtaja na praznom hodu pravilno podešen.
  - b) Uverite se da je mešavina dobro napravljena.
  - c) Uverite se da je filter za vazduh čist.
- Ako je svećica prljava, očistite je i ujedno proverite da li je razmak između elektroda tačan, pogledajte *Tehnički podaci na stranici 533.*



- Zamenite svećicu ako je potrebno.

## Tehnički podaci

	B40 B Elite	B40 BT Elite
<b>Motor</b>		
Zapremina cilindra, cm <sup>3</sup>	40,1	40,1
Prečnik cilindra, Ø mm	40,5	40,5
Dužina hoda u cilindru, mm	31,1	31,1
Brzina praznog hoda, o/min	3000	3000
Preporučena maksimalna brzina, o/min	12000	12000
Brzina izlazne osovine, o/min	8220	8220
Maks. izlazna snaga motora, prema ISO 8893, kW na o/min	1,5 na 9000	1,5 na 9000
<b>Sistem paljenja</b>		
Svećica	NGK CMR7H-10	NGK CMR7H-10
Zazor elektroda, mm	0,9 – 1,0	0,9 – 1,0
<b>Sistem za gorivo i podmazivanje</b>		
Proizvođač/tip karburatora	Ruixing H225D –	Ruixing H225D –
Kapacitet rezervoara za gorivo, l/cm <sup>3</sup>	1 / 1000	1 / 1000
<b>Težina</b>		
Bez goriva, priključka za košenje i štitnika, kg	7,3	7,4
<b>Emisija buke<sup>58</sup></b>		
Nivo buke, mereno dB(A)	112	112
Nivo zvučne snage, garantovano L <sub>WA</sub> dB(A)	118	118
<b>Nivoi buke<sup>59</sup></b>		
Ekvivalentni nivo zvučnog pritiska kod uha rukovaoca, izmereno prema standardima EN ISO 11806 i ISO 22868, dB(A), min/maks.		
Opremljeno trimi glavom (original)	100	100
Opremljeno listom za travu (original)	99	99
Opremljeno nožem testere (original)	–	99

<sup>58</sup> Emisije buke u životnoj sredini merene kao zvučna snaga (L<sub>WA</sub>) u skladu sa direktivom 2000/14/EZ. Prijavljeni nivo zvučne snage za mašinu meren je sa originalnim priključkom za košenje koji daje najviši nivo. Razlika između garantovanog i izmerenog nivoa zvučne snage je da garantovana zvučna snaga takođe obuhvata raspršenje rezultata merenja i razlike između različitih mašina istog modela u skladu sa Direktivom 2000/14/EZ.

<sup>59</sup> Prijavljeni podaci za ekvivalentni nivo zvučnog pritiska imaju tipično statističko raspršenje (standardno odstupanje) od 1 dB (A).

	B40 B Elite	B40 BT Elite
<b>Nivoi vibracije<sup>60</sup></b>		
Ekvivalentni nivoi vibracije ( $a_{hv,eq}$ ) na ručkama, mereni prema EN ISO 11806 i ISO 22867, $m/s^2$		
Opremljeno glavom trimera (original), levo/desno	3,4 / 4,4	3,4 / 4,4
Opremljeno listom za travu (original), levo/desno	5,2 / 5,1	5,2 / 5,1
Opremljeno nožem testere (original), levo/desno	–	4,5 / 4,2

<b>B40 B Elite, B40 BT Elite</b>		
<b>Odobrena oprema</b>	<b>Tip</b>	<b>Štitnik priključka za rezanje, br. dela</b>
Centralni otvor na noževima / listovima, Ø 25,4 mm		
Navoj izlazne osovine M12		
List za travu/nož za travu	List za travu 255-4, 1" (Ø 255, 4 zuba)	580 30 50-01
	List za travu 255-3 (Ø 255 3 zupca)	580 30 50-01
Tarup	Sečivo testere 200–22 (ø 200–22 zuba)	581 33 84-01
Trimi glava	P35	580 30 50-01
Oslona šolja	Fiksirano	–

<sup>60</sup> Podaci o nivou vibracije imaju tipičnu statističku disperziju (standardnu devijaciju) od 1  $m/s^2$ .

---

# EZ deklaracija o usaglašenosti

---

## EZ deklaracija o usaglašenosti

**Husqvarna AB**, SE-561 82 Huskvarna, Švedska, tel: +46-36-146500, izjavljuje da su trimeri **McCullochB40 B Elite** serijskih brojeva od 2021 nadalje (serijski broj se nalazi posle godine, koja je jasno označena na pločici tipa) u skladu sa zahtevima DIREKTIVE VEĆA:

- od 17. maja 2006. „u vezi sa mašinerijom“ **2006/42/EZ**
- od 26. februara 2014. „koja se odnosi na elektromagnetnu kompatibilnost“ **2014/30/EU**
- od 8. maja 2000. „koja se odnosi na emisije buke u okruženju“ **2000/14/EZ**. Ocenjivanje usaglašenosti u skladu sa Aneksom V. Za informacije koje se odnose na emisije buke, pogledajte poglavlje Tehnički podaci.
- od 8. juna 2011. „o ograničenju upotrebe određenih opasnih supstanci u električnoj i elektronskoj opremi“ **2011/65/EU**.

Primenjeni su sledeći standardi:

**EN ISO 12100:2010, CISPR 12:2007+A1:2009, EN ISO 14982:2009, EN ISO 11806-1:2011, EN IEC 63000:2018**

RISE SMP Svensk Maskinprovning AB, Box 7035, SE-750 07 Uppsala, Sweden je izvršio volonterski pregled tipa u ime kompanije Husqvarna AB. Sertifikati imaju sledeće brojeve: **SEC/12/2339** – B40 B Elite, B40 BT Elite

RISE SMP Svensk Maskinprovning AB takođe je potvrdio slaganje sa dodatkom V Direktive Veća 2000/14/EG.

Huskvarna, 2020-08-25



Pär Martinsson, Menadžer razvoja (Ovlašćeni predstavnik kompanije Husqvarna AB i odgovorna osoba za tehničku dokumentaciju)

---

## Sadržaj

---

Uvod.....	536	Održavanje.....	555
Sigurnost.....	539	Tehnički podaci.....	558
Sastavljanje.....	546	Izjava o sukladnosti EC.....	561
Rad.....	549	.....	0

---

## Uvod

---

### Opis proizvoda

Ovaj je proizvod čistač šikare s motorom s unutarnjim sagorijevanjem.

Neprestano radimo na povećanju vaše sigurnosti i učinkovitosti tijekom rada. Za više informacija obratite se servisnom distributeru.

### Namjena

Proizvod upotrebljavajte s kružnom pilom, nožem za travu ili glavom trimera kako biste rezali različite vrste

vegetacije. Proizvod upotrebljavajte isključivo za uređivanje trave, čišćenje trave i čišćenje u šumarstvu. Vlaknaste vrste drveta režite kružnom pilom. Travu režite nožem za travu ili glavom trimera.

---

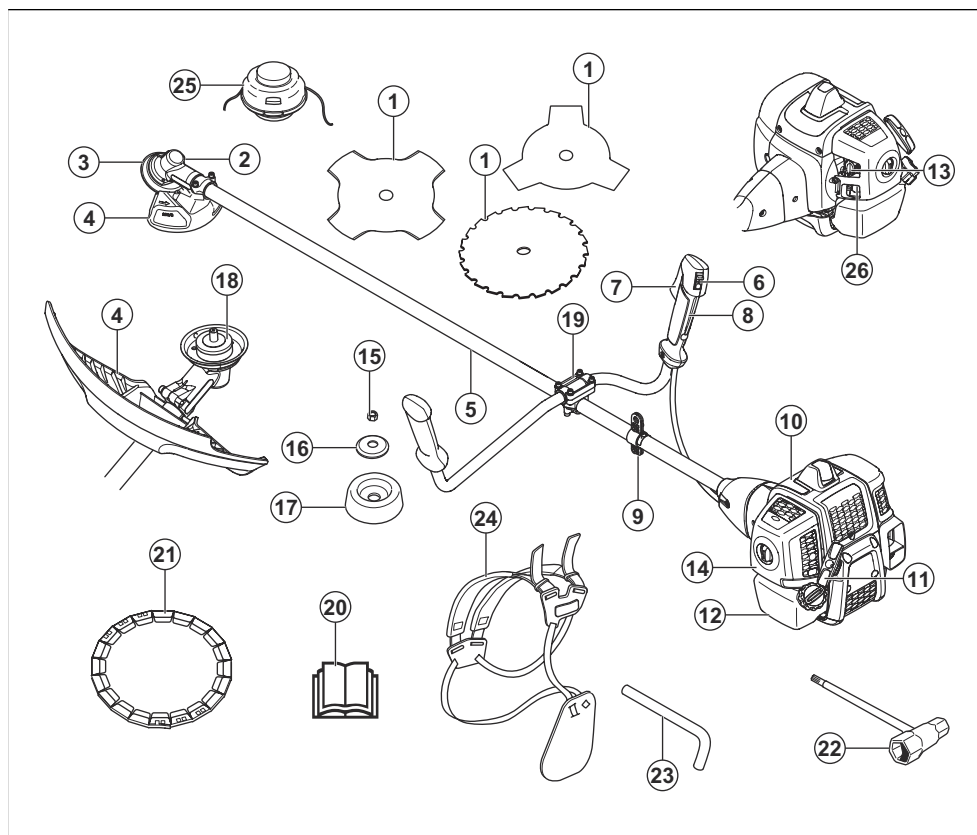
**Napomena:** Uporabu mogu određivati nacionalni ili lokalni propisi. Sukladnost s navedenim propisima.

---

Proizvod upotrebljavajte s dodacima s odobrenjem proizvođača. Pogledajte *Tehnički podaci na stranici 558*.



## Pregled proizvoda



- |   |  |
|---|--|
| <ul style="list-style-type: none"> <li>1. Nož (nije dostupan za sva tržišta)</li> <li>2. Čep za punjenje maziva, pužni zglob</li> <li>3. Pužni zglob</li> <li>4. Štitnik reznog nastavka</li> <li>5. Vratilo</li> <li>6. Sklopka za zaustavljanje</li> <li>7. Regulator gasa</li> <li>8. Blokada gasa</li> <li>9. Ovjesni prsten</li> <li>10. Poklopac cilindra</li> <li>11. Ručica za uključivanje</li> <li>12. Spremnik za gorivo</li> <li>13. Regulator čoka</li> <li>14. Poklopac filtra zraka</li> <li>15. Sigurnosna matica</li> <li>16. Potporna prirubnica</li> <li>17. Potporni poklopac</li> <li>18. Pogonski disk</li> </ul> | <ul style="list-style-type: none"> <li>19. Spojnica upravljača</li> <li>20. Korisnički priručnik</li> <li>21. Štitnik za transport (nije dostupan za sva tržišta)</li> <li>22. Nasadni ključ</li> <li>23. Zaporni klin (za proizvode bez šesterokutnog ključa)</li> <li>24. Naramenice</li> <li>25. Glava trimera</li> <li>26. Čašica pumpe za gorivo</li> </ul> |
|---|--|

### Simboli na proizvodu



**UPOZORENJE!** Ovaj proizvod može biti opasan. Ako se proizvod ne upotrebljava pažljivo i sigurno, može doći do ozljede ili smrti rukovatelja ili promatrača. Da biste spriječili ozljede rukovatelja ili promatrača, pročitajte i poštujte sve sigurnosne upute iz korisničkog priručnika.



Pažljivo pročitajte korisnički priručnik i prije upotrebe dobro usvojite sadržaj.



Na lokacijama na kojima postoji opasnost od padajućih predmeta nosite zaštitnu kacigu. Upotrebljavajte odobrenu zaštitu sluha. Upotrebljavajte odobrenu zaštitu za oči.



Upotrebljavajte odobrene zaštitne rukavice.



Upotrebljavajte čizme za teške uvjete rada otporne na klizanje.



Proizvod može uzrokovati izbacivanje predmeta koji mogu uzrokovati ozljede.



Maksimalna brzina izlazne osovine.



Tijekom rada s proizvodom održavajte minimalnu udaljenost od 15 m (50 stopa) od osoba i životinja.



Postoji opasnost od povratnog udara kada rezna oprema dođe u dodir s predmetom koji ne može odmah presjeći. Proizvod može odsjeći dijelove tijela. Tijekom rada s ovim proizvodom održavajte minimalnu udaljenost od 15 m (50 stopa) od osoba i životinja.



Upotrebljavajte samo savitljivu rezu žicu. Nemojte upotrebljavati metalne rezne komponente. Ovo primijenite za pribor štitnika za travu.



Strelice pokazuju graničnik položaja ručke.



Pumpica za gorivo.



Ulijevanje goriva.



Čok.



Emisije buke u okoliš u skladu s europskom Direktivom 2000/14/EC i propisom za zaštitu od radova u okolišu (kontrola buke) Novog Južnog Walesa iz 2017. Podaci o emisiji buke navedeni su na naljepnici stroja i u poglavlju *Tehnički podaci na stranici 558*.



Proizvod ispunjava mjerodavne direktive EZ.

ggggtboox

Serijski broj nalazi se na natpisnoj pločici ili laserskom ispisu. **yyyy** je godina proizvodnje, a **ww** je tjedan proizvodnje.

---

**Napomena:** Drugi simboli/naljepnice na proizvodu odnose se na zahtjeve za certifikaciju na drugim tržišnim područjima.

---

## Pouzdanost proizvoda

Sukladno zakonima o pouzdanosti proizvoda nismo odgovorni za oštećenja uzrokovana našim proizvodima ako je:

- proizvod nepravilno popravljen
- proizvod popravljen dijelovima koje nije proizveo proizvođač ili nemaju odobrenje proizvođača
- proizvod ima dodatnu opremu koje nije proizveo proizvođač ili nemaju odobrenje proizvođača
- proizvod nije popravljen u odobrenom servisnom centru ili kod ovlaštene osobe.

## Standard za emisije Euro V.



**UPOZORENJE:** Petljanjem po motoru gubite pravo na odobrenje EU-a ovog proizvoda.

---

---

# Sigurnost

---

## Sigurnosne definicije

Definicije u nastavku prikazuju razinu ozbilnosti svake signalne riječi.



**UPOZORENJE:** Ozljede osoba.



**OPREZ:** Oštećenje proizvoda.

**Napomena:** Informacije olakšavaju korištenje proizvoda.

## Opće sigurnosne upute



**UPOZORENJE:** Prije upotrebe proizvoda pročitajte upozoravajuće upute u nastavku.

- Proizvod tijekom rada proizvodi elektromagnetsko polje. To polje u određenim okolnostima može ometati aktivne ili pasivne medicinske implantate. Za smanjenje opasnosti od smrtonosne ozljede osobama s medicinskim implantatima prije korištenja uređaja preporučujemo obraćanje liječniku i proizvođaču medicinskog implantata.
- Proizvod nemojte koristiti kada ste umorni, bolesni ili pod utjecajem alkohola, droge ili lijekova. To negativno utječe na vaš vid, pažnju, koordinaciju i prosudbu.
- Proizvod nemojte upotrebljavati u lošim vremenskim uvjetima kao što su gusta magla, jaka kiša, snažan vjetar i različitna hladnoća. Rad proizvoda u lošim vremenskim uvjetima zamara i povećava opasnosti, primjerice od zaleđenog tla ili nepredvidljivog smjera padanja.
- Uvijek budite pažljivi i razumni. Ako ste nesigurni u radnu situaciju ili radne postupke nakon čitanja korisničkog priručnika, prije nastavka obratite se servisnom zastupniku.
- Ako proizvod ostavljate izvan vidokruga, uklonite lulicu svjećice.

## Sigurnosne upute za sastavljanje



**UPOZORENJE:** Prije uporabe proizvoda pročitajte upozoravajuće upute u nastavku.

- Pri sastavljanju proizvoda i rezne opreme nosite odobrene zaštitne rukavice.

- Prije sastavljanja ovog proizvoda sa svjećice uklonite lulicu svjećice.
- Pobrinite se za to da ispravna ručka i štitnik reznog nastavka budu montirani prije rada s proizvodom.
- Oštećeni ili neodgovarajući štitnik reznog nastavka može uzrokovati ozljedu. Rezni pribor nemojte upotrebljavati bez odobrenih štitnika reznog pribora.
- Ispravno monitorajte poklopac spojke i osovinu prije pokretanja proizvoda.
- Pogonska podloška i potporna prirubnica moraju pravilno pristajati u središnji provrt reznog nastavka. Nepravilno postavljen rezni pribor može uzrokovati ozljede ili smrt.
- Na proizvod pričvrstite naramenice da biste spriječili ozljede rukovatelja ili drugih osoba.

## Sigurnosne upute za rad

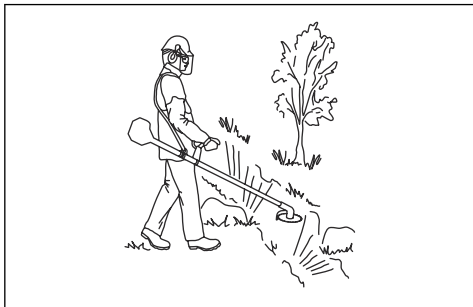


**UPOZORENJE:** Prije upotrebe proizvoda pročitajte upozoravajuće upute u nastavku.

- Prije uporabe proizvoda naučite i usvojite razliku između čišćenja u šumarstvu, čišćenja trave i rezanja trave.
- Upotrebljavajte osobnu zaštitnu opremu, pogledajte *Oprema za osobnu zaštitu na stranici 540*.
- Dugotrajno izlaganje buci može uzrokovati trajni gubitak sluha. Stoga uvijek upotrebljavajte odobrenu zaštitu sluha.
- Slušajte signale upozorenja i glasne glasove kada upotrebljavate zaštitu sluha. Po zaustavljanju motora uvijek uklonite zaštitu sluha.
- Nikada nemojte upotrebljavati izmijenjen ili oštećen proizvod.
- Lulica svjećice i vod za paljenje moraju biti ispravni kako bi se spriječila opasnost od strujnog udara.
- Pregledajte radno područje kako biste se uvjerali da nema osoba, životinja ili predmeta koji negativno utječu na sigurnost rada s proizvodom.
- Pregledajte radno područje kako biste se uvjerali da nema osoba ili životinja koje dodiruju rezni nastavak ili su pogođeni predmetima izbačenima reznim nastavkom.
- Proizvod nemojte upotrebljavati u situaciji ili na lokaciji u kojoj ne možete primiti pomoć u slučaju nezgode.
- Proizvod nemojte upotrebljavati bez odobrenog štitnika reznog pribora.
- Uvjerite se kako su osobe ili životinje tijekom rada na minimalnoj udaljenosti od 15 m/50'. Prije okretanja s proizvodom obavezno pogledajte iza sebe. Ako se u sigurnosnoj zoni od 15 m/50' nalazi osoba ili životinja, odmah zaustavite proizvod. Ako na istom području radi više od 1 rukovatelja, održavajte

minimalnu sigurnosnu udaljenost od 2 visine stabla te minimalnih 15 m / 50'.

- Pregledajte radno područje. Izbjegavajte sve nepričvršćene predmete koji bi mogli biti izbačeni ili omotani oko reznog nastavka, primjerice kamenje, razbijeno staklo, čavle, čeličnu žicu i konopce.
- Provjerite slobodu kretanja i sigurnost stava. Provjerite ima li u području oko vas prepreka poput korijenja, kamenja, grana i jaraka. Budite pažljivi tijekom rada na kosinama.



- Ne posežite predaleko. Obavezno održavajte siguran položaj stopala i dobru ravnotežu.
- Proizvod prije pokretanja postavite na ravnu površinu, najmanje 3 m / 10 ft od izvora goriva ili mjesta ulijevanja goriva. Uvjerite se kako nema predmeta u blizini reznog nastavka ili u dodiru s njim.
- Ako se rezni nastavak okreće pri broju okretaja u praznom hodu, provedite podešavanje kod servisera. Proizvod nemojte upotrebljavati dok nije podešen i popravljen.
- Pazite na izbačene predmete. Uvijek upotrebljavajte odobrenu zaštitu za oči i držite se podalje od štitnika reznog nastavka. Kamenje i mali predmeti mogu biti izbačeni u oči i uzrokovati sljepilo ili druge ozljede.
- Proizvod s motorom u pogonu dopušteno je spuštati samo ako imate jasan pogled na njega.
- Nemojte uklanjati odrezani materijal ili dopustiti to drugima dok je motor u pogonu i rezna oprema se okreće, jer to može uzrokovati ozbiljne ozljede.
- Prije uklanjanja materijala zamotanog oko osovine pile ili zaglavljenog između štitnika reznog nastavka i reznog nastavka obavezno zaustavite motor i uvjerite se da je rezni nastavak nepomičan.
- Budite oprezni prilikom uklanjanja materijala u blizini rezne opreme. Pužni zglob jako se zagrije prilikom rada i može uzrokovati opekline.
- Ispušne pare motora vruće su i mogu sadržavati vruće iskre. Opasnost od požara. Budite pažljivi u blizini suhog i zapaljivog materijala.
- Proizvod nemojte upotrebljavati u zatvorenim prostorima i u prostorima bez adekvatne ventilacije. Ispušne pare sadrže ugljikov monoksid, otrovan i vrlo opasan plin bez mirisa.

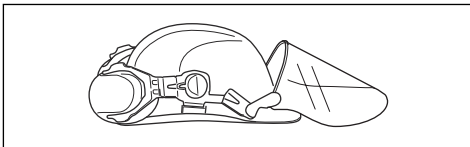
- Prije prelaska u novo područje zaustavite motor. Prije prenošenja opreme obavezno postavite prijenosni štitnik.
- Preveliko izlaganje vibracijama može uzrokovati poremećaj cirkulacije ili oštećenje živčanog sustava kod ljudi koji sa slabom cirkulacijom. Ako imate simptome uzrokovane prevelikom izlaganjem vibracijama, obratite se liječniku. Primjeri takvih simptoma su umrtvljenost, nedostatak osjećaja, „škakljanje“, „trnci“, bol, manjak ili smanjena snaga, promjene u boji kože. Simptomi se uglavnom pojavljuju na prstima, rukama ili zglobovima. Opasnost se može povećati pri niskim temperaturama.

## Oprema za osobnu zaštitu

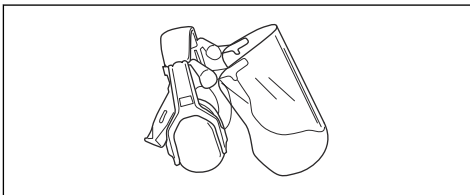


**UPOZORENJE:** Prije upotrebe proizvoda pročitajte upozoravajuće upute u nastavku.

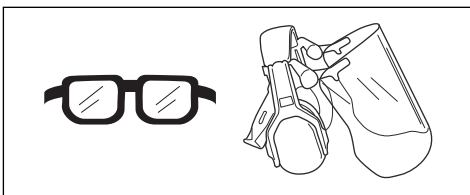
- Prilikom uporabe proizvoda uvijek upotrebljavajte odobrenu osobnu zaštitnu opremu. Oprema za osobnu zaštitu ne može u potpunosti spriječiti ozljede, no smanjuje stupanj ozljede u slučaju nezgode. Pri odabiru ispravne opreme zatražite pomoć ovlaštenog trgovca.
- Ako su stabla u radnom području viša od 2 m / 6,5 ft, nosite kacigu.



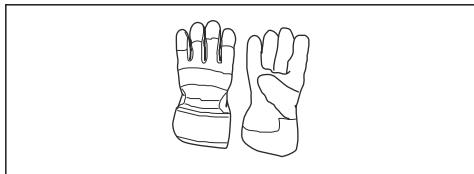
- Upotrebljavajte odobrenu zaštitu sluha.



- Koristite odobrenu zaštitu za oči. Ako nosite vizir, morate nositi i odobrene zaštitne naočale. Odobrene zaštitne naočale moraju ispunjavati normu ANSI Z87.1 za SAD ili EN 166 za države EU-a.



- Po potrebi nosite rukavice – primjerice prilikom pričvršćenja, pregleda ili čišćenja rezne opreme.



- Nosite zaštitne čizme sa čeličnom kapicom i protukliznim potplatima.



- Nosite odjeću napravljenu od čvrstog materijala. Uvijek nosite teške duge hlače i duge rukave. Nemojte nositi široku odjeću koja može zapinjati za grane i prutove. Ne nosite nakit, kratke hlače niti sandale. Ne budite bosonogi. Kosu podignite iznad ramena.
- Opremu za prvu pomoć držite u blizini.



## Sigurnosni uređaji za proizvod

Informacije o sigurnosnim uređajima potražite pod *Štitnik reznog nastavka na stranici 542.*



**UPOZORENJE:** Prije korištenja proizvoda pročitajte upozoravajuće upute u nastavku.

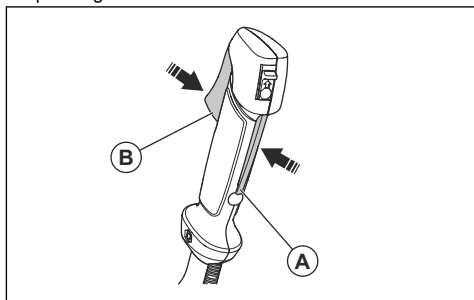
- Nemojte koristiti proizvod s oštećenim zaštitnim uređajima. Sigurnosne uređaje pregledavajte i održavajte redovito. Ako su sigurnosni uređaji neispravni, obratite se McCulloch ovlaštenom trgovcu.
- Sigurnosne uređaje nije dopušteno izmjenjivati. Proizvod nemojte upotrebljavati ako zaštitni poklopci, sigurnosne sklopke ili drugi sigurnosni uređaji nisu postavljeni ili ako su neispravni.
- Za sve radove servisiranja i popravljavanje proizvoda, posebno za sigurnosne uređaje, potrebna je posebna obuka. Ako sigurnosni uređaji ne zadovolje na ispitivanjima iz ovog korisničkog priručnika, zatražite pomoć servisera. Jamčimo dostupnost profesionalnih popravaka i servisa. Ako vaš distributer nije serviser, od njega zatražite informacije o najbližem serviseru.

- Rezni nastavak nemojte upotrebljavati bez odobrenih i pravilno ugrađenih štitnika za rezni nastavak. Pogledajte *Tehnički podaci na stranici 558.*

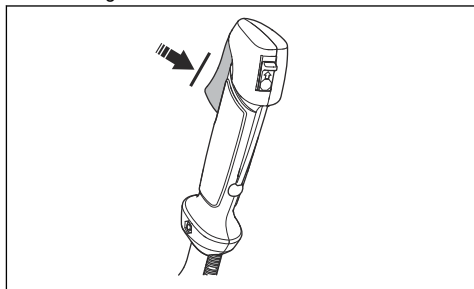
## Provjera blokade regulatora gasa

Ograničavanje gasa namijenjeno je da spriječi nenamjerni rad regulatora gasa.

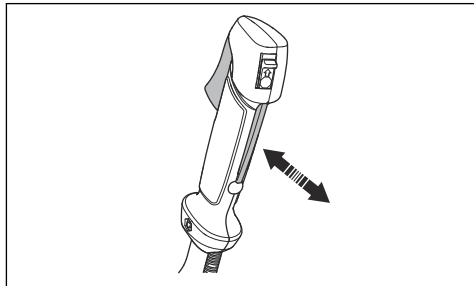
1. Pritisnite ograničavanje okidača gasa (A) i provjerite je li otpušten regulator gasa (B). Kada otpustite ručku, regulator gasa i ograničenje okidača gasa vratit će se na svoje prijašnje položaje. Ta akcija je kontrolirana s dvije povratne opruge. Ovakav raspored znači da se gas automatski blokira u toku praznog hoda.



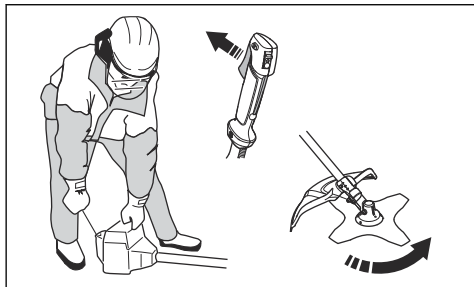
2. Provjerite je li regulator gasa blokiran u postavci praznog hoda prilikom otpuštanja ograničenja okidača gasa.



3. Pritisnite ograničenje okidača gasa i provjerite vraća li se po otpuštanju u svoj početni položaj.

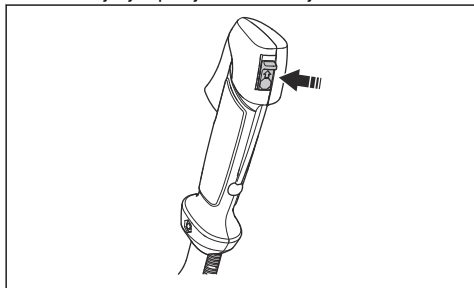


4. Provjerite kreću li se slobodno regulator gasa i ograničenje okidača gasa i funkcioniraju li ispravno povratne opruge.
5. Pokrenite proizvod (pogledajte upute u poglavlju pod *Pokretanje i zaustavljanje na stranici 551*) i primijenite puni gas.
6. Otpustite gas i provjerite zaustavlja li se dodatak za rezanje i ostaje li nepomičan. Podesite rasplinjač ako se rezna oprema pomiče dok je gas u položaju praznog hoda. Pogledajte upute u poglavlju *Podešavanje broja okretaja u praznom hodu na stranici 556*.



#### Provjera sklopke za zaustavljanje

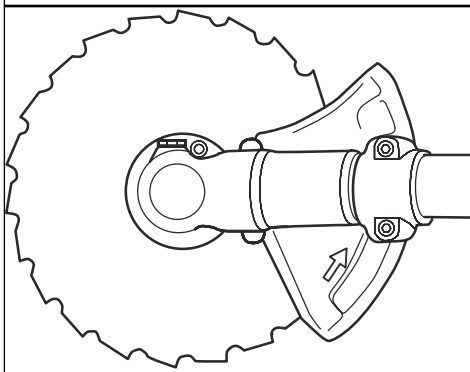
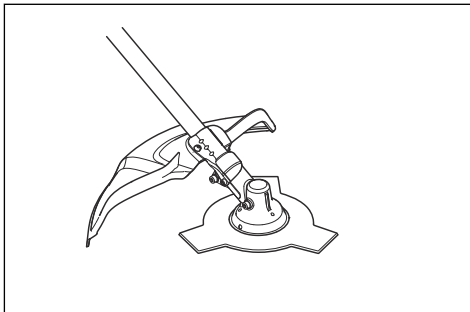
1. Pokrenite motor.
2. Sklopku za zaustavljanje pomaknite u položaj za zaustavljanje i provjerite zaustavlja li se motor.



#### Štitnik reznog nastavka

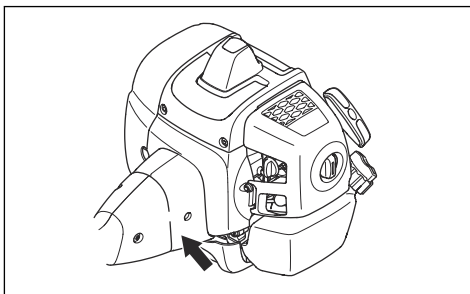
Štitnik reznog nastavka sprječava izbacivanje nepričvršćenog predmeta prema korisniku. Pregledajte štitnik reznog nastavka i zamijenite ga ako je oštećen. S

reznim nastavkom upotrebljavajte isključivo odobreni štitnik.



#### Provjera sustava za smanjenje vibracija

Sustav za smanjenje vibracija vibracije na ručkama smanjuje na minimum i tako olakšava rad.



1. Zaustavite motor.
2. Vizualno potražite izobličenja i oštećenja, primjerice napukline.
3. Provjerite jesu li svi dijelovi sustava za smanjenje vibracija pravilno ugrađeni.

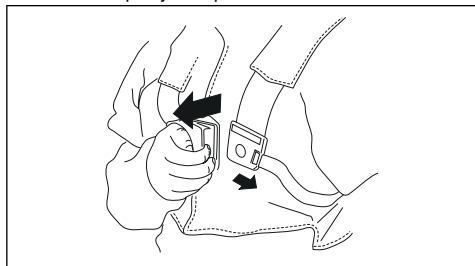
## Provjera mehanizma za brzo otpuštanje



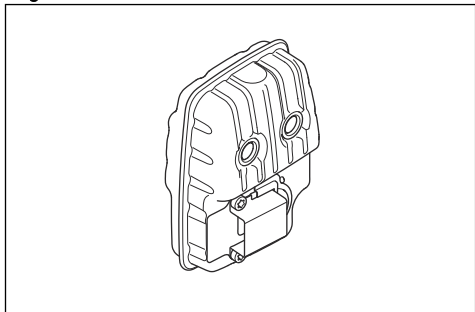
**UPOZORENJE:** Nemojte upotrebljavati naramenice s neispravnim mehanizmom za brzo otpuštanje.

Mehanizam za brzo otpuštanje rukovatelju u slučaju opasnosti omogućuje brzo odvajanje proizvoda od naramenica.

1. Zaustavite motor.
2. Vizualno potražite oštećenja, primjerice napukline.
3. Otpustite i pričvrstite mehanizam za brzo otpuštanje kako biste provjerili ispravnost rada.



## Prigušivač



- Nemojte upotrebljavati motor ako je prigušivač oštećen. Oštećen prigušivač povećava razinu buke i opasnost od požara. Imajte protupožarni aparat u blizini.
- Redovno provjeravajte pričvršćenost prigušivača za proizvod.
- Kada je motor uključen nemojte dodirivati motor ili prigušivač. Motor ili prigušivač nemojte dodirivati ni neposredno nakon zaustavljanja motora. Vruće površine mogu uzrokovati ozljede.
- Vrući prigušivač može uzrokovati požar. Budite pažljivi ako proizvod upotrebljavate u blizini zapaljivih tekućina ili para.
- Ako je prigušivač oštećen, nemojte dodirivati njegove dijelove. Dijelovi mogu sadržavati kancerogene kemikalije.
- Redovito čistite mrežicu za hvatanje iskri, ako je proizvod opremljen njome. 🗨️

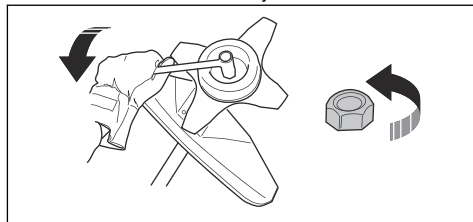
## Postavljanje i uklanjanje sigurnosne matice



**UPOZORENJE:** Zaustavite motor, nosite zaštitne rukavice i budite pažljivi na oštrim rubovima reznog pribora.

Neke vrste reznog pribora pričvršćuju se sigurnosnom maticom. Sigurnosna matica ima lijevi navoj.

- Da biste pričvrstili, zategnite sigurnosnu maticu u smjeru suprotnom od okretanja reznog pribora.
- Da biste uklonili sigurnosnu maticu, olabavite je u istom smjeru u kojem se okreće rezni pribor.
- Da biste olabavili i zategnuli sigurnosnu maticu, upotrijebite nasadni ključ s dugačkom drškom. Strelica na slici prikazuje područje u kojem sigurno možete raditi s nasadnim ključem.



**UPOZORENJE:** Pri otpuštanju i zatezanju sigurnosne matice možete se ozlijediti na oštrici. Obavezno provjerite sprječava li štitičnik noža ozljedu ruke prilikom te radnje.

**Napomena:** Uvjerite se kako sigurnosnu maticu ne možete okretati rukom. Zamijenite maticu ako najlonska podstava nema otpor od najmanje 1,5 Nm. Sigurnosnu maticu potrebno je zamijeniti nakon otprilike 10 postavljanja.

## Rezna oprema

Odaberite i održavajte reznú opremu za:

- Ostvarenje najvećeg učinka rezanja.
- Produljenje vijeka trajanja rezne opreme.
- Pratite upute za provjeru, održavanje i servisiranje prigušivača.
- Uz reznú opremu obavezno upotrebljavajte odobreni štitičnik. Pogledajte tehničke podatke.



**UPOZORENJE:** Upotrebljavajte samo preporučene rezne nastavke i štitičnike! Pogledajte poglavlje Tehnički podaci. U uputama za rezni nastavak potražite kako pravilno postaviti flaks trimera i koji je ispravi promjer flaksa za trimera.



**UPOZORENJE:** Neispravan rezni nastavak povećava opasnost od nezgode.

- Rezne nastavke upotrebljavajte samo s preporučenim štitnicima. Pogledajte *Tehnički podaci na stranici 558*.



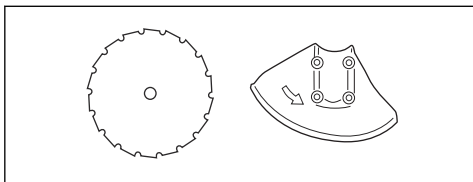
**UPOZORENJE:** Uvijek isključite motor prije početka rada na reznom nastavku. Ona se nastavlja pomicati čak i nakon otpuštanja gasa. Prije početka radova razni nastavak se potpuno zaustavi, a sa svjeće morate odspojiti lulicu.

### Noževi

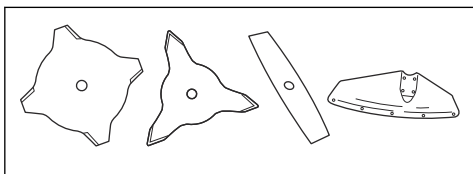
- Proizvod upotrebljavajte samo s odobrenim nožem. Nemojte upotrebljavati nož bez pravilne ugradnje svih potrebnih dijelova. Provjerite ispravnost ugradnje te jesu li upotrebljavani odgovarajući dijelovi. Nepravilna ugradnja može uzrokovati izbacivanje noža i ozbiljne ozljede rukovatelja i promatrača.
- Prilikom rada s nožem ili njegovog održavanja nosite zaštitne rukavice.
- Tijekom upotrebe proizvoda s nožem nosite zaštitu za glavu.
- Nakon zaustavljanja motora ili otpuštanja okidača gasa nož se nastavlja okretati te može uzrokovati ozljede. Prije održavanja provjerite je li nož potpuno zaustavljen.
- Prije rada na reznom nastavku zaustavite motor. Provjerite je li rezni nastavak potpuno zaustavljen. Odvojite visokonaponski kabel od svjeće.
- Zupce noža održavajte pravilno naoštrenima.

### Rezna oprema

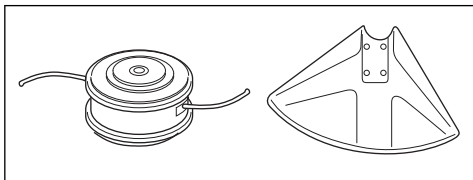
- Vlaknaste vrste drveta režite kružnom pilom.



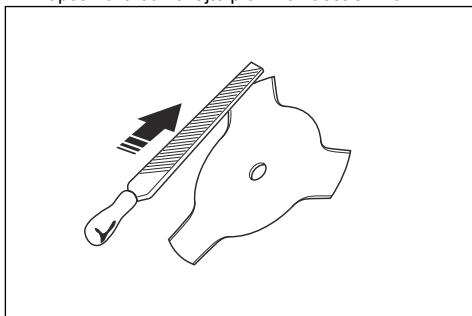
- Gustu travu režite noževima i rezačima za travu.



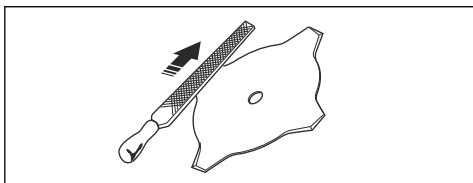
- Za rezanje trave upotrebljavajte glavu trimera.



- Neispravno naoštren ili oštećen nož povećava opasnost od nesreće. Zupce noža održavajte pravilno naoštrenima. Pratite upute u odjeljku *Naoštavanje rezača trave i noževa za travu na stranici 545* i upotrebljavajte preporučeni mjerač razmaka.



- Nemojte upotrebljavati oštećene rezne nastavke.
- Za transport ili skladištenje proizvoda na nož postavite prijenosni štitnik.

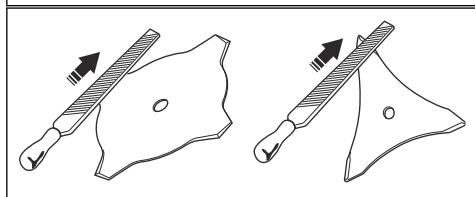
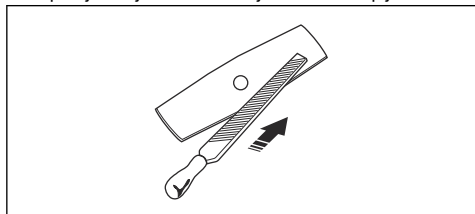


- Pregledajte ima li na reznom nastavku oštećenja ili pukotina. Zamijenite oštećeni rezni nastavak.



## Naoštavanje rezača trave i noževa za travu

- Sve rubove rezača i noževa za travu naoštrite ravnomjerno kako biste zadržali uravnoteženost. Upotrijebite jednom nazubljenu ravnu turpiju.

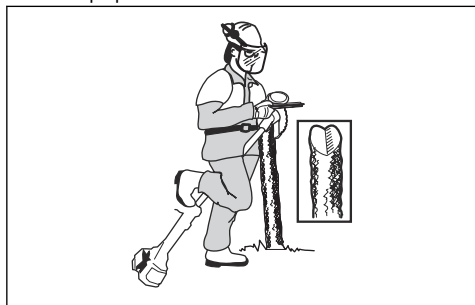


## Naoštavanje kružne pile

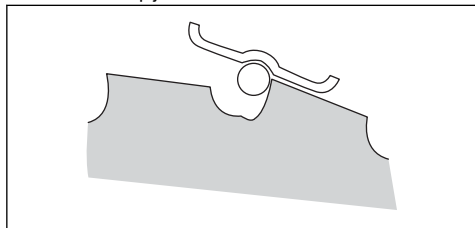


**UPOZORENJE:** Zaustavite motor. Upotrijebite zaštitne rukavice.

- Za pravilno naoštavanje pile pregledajte upute isporučene s pilom.
- Proizvod i pila tijekom naoštavanja moraju imati dobru potporu.

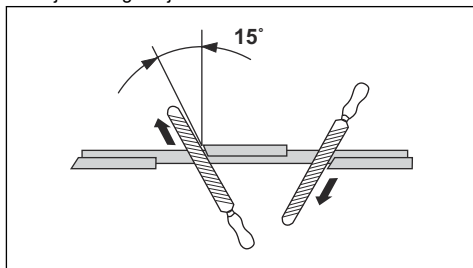


- Upotrijebite okruglu turpiju promjera 5,5 mm (7/32") s nosačem turpije.



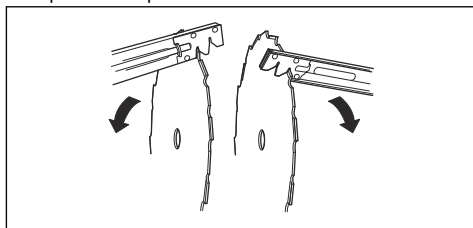
- Turpiju držite pod kutom od 15°.

- Jedan zubac kružne pile naoštrite udesno, a sljedeći ulijevo. Pogledajte sliku.



**Napomena:** Ako je pila jako istrošena, rubove zubaca naoštrite ravnom turpijom. Nastavite oštiti okruglom turpijom.

- Naoštrite sve rubove jednoliko kako biste održali ravnotežu pile.
- Preporučenim alatom za postavljanje podesite postavku pile na 1 mm (0,04"). Pogledajte upute isporučene s pilom.

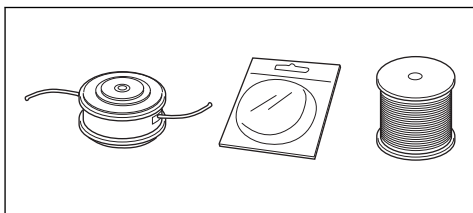


**UPOZORENJE:** Oštećenu pilu obavezno odbacite. Nemojte pokušavati izravnati savijeni ili iskrivljeni nož kako biste ga ponovno upotrijebili.

## Glava trimera



**UPOZORENJE:** Flaks trimera uvijek čvrsto i ravnomjerno zategnite oko bubnja kako biste spriječili štetne vibracije.



- Upotrebjavajte samo preporučene glave i flaks trimera.
- Upotrebjavajte samo preporučene rezne nastavke.
- Za manje strojeve u pravilu su potrebne manje glave trimera i obrnuto.

- Duljina flaksa trimera također je važna. Dulji flaks trimera zahtjeva jači motor od kraćeg flaksa trimera istog promjera.
- Rezač na štitniku trimera ne smije biti oštećen. On skraćuje flaks trimera na ispravnu duljinu.
- Prije upotrebe nekoliko dana flaks trimera namažite u vodi kako biste mu produžili vijek trajanja.

### Sigurnost pri rukovanju s gorivom

- Nemojte pokretati proizvod ako u njemu ima goriva ili motornog ulja. Uklonite neželjeno gorivo/ulje i pričekajte na sušenje proizvoda. Uklonite neželjeno gorivo iz proizvoda.
- Ako gorivo proljeće po odjeći, odmah ju zamijenite.
- Gorivu nemojte dopustiti kontakt s tijelom jer može uzrokovati ozljede. Ako dođe do kontakta goriva s tijelom, sapunom i vodom isperite gorivo.
- Nemojte pokretati motor ako ste po proizvodu ili tijelu proliili gorivo.
- Nemojte pokretati proizvod ako motor propušta. Redovito pregledavajte ima li na motoru propuštanja.
- Budite pažljivo s gorivom. Gorivo je zapaljivo, a pare su eksplozivne i mogu uzrokovati ozljede i smrt.
- Nemojte udisati pare goriva, one mogu uzrokovati ozljede. Osigurajte dovoljan protok zraka.
- U blizini goriva ili motora nemojte pušiti.
- U blizini goriva ili motora nemojte stavljati vruće predmete.
- Nemojte ulijevati gorivo kada je motor uključen.
- Prije ulijevanja goriva provjerite je li motor hladan.
- Prije ulijevanja goriva polako otvorite čep spremnika goriva i pažljivo ispustite tlak.

- Gorivo u motor nemojte ulijevati u zatvorenom prostoru. Nedovoljan protok zraka može uzrokovati ozljede ili smrt zbog gušenja ili trovanja ugljičnim monoksidom.
- Pažljivo zategnite čep spremnika goriva kako ne biste uzrokovali požar.
- Prije pokretanja proizvod odmaknite najmanje 3 m (10') od mjesta punjenja spremnika.
- U spremnik za gorivo nemojte uliti previše goriva.
- Provjerite ima li propuštanja pri pomicanju proizvoda ili posude za gorivo.
- Proizvod ili posudu za gorivo nemojte stavljati u blizinu otvorenog plamena, iskri ili lampica. U prostoru za skladištenje ne smije biti otvorenog plamena.
- Za prijenos ili skladištenje goriva koristite isključivo odobrene posude.
- Prije dugotrajnog skladištenja ispraznite spremnik za gorivo. Poštujte lokalne zakone o lokaciji zbrinjavanja goriva.
- Očistite proizvod prije dugotrajnog skladištenja.
- Prije skladištenja stroja uklonite kabel svjećice kako biste spriječili slučajno pokretanje motora.

### Sigurnosne upute za održavanje

- Ako ne možete prilagoditi broj okretaja u praznom hodu za zaustavljanje rezne opreme, obratite se servisnom centru. Nemojte koristiti proizvod dok nije pravilno podešen i popravljen.

## Sastavljanje



**UPOZORENJE:** Prije sastavljanja proizvoda pročitajte poglavlje o sigurnosti.

### Uvod



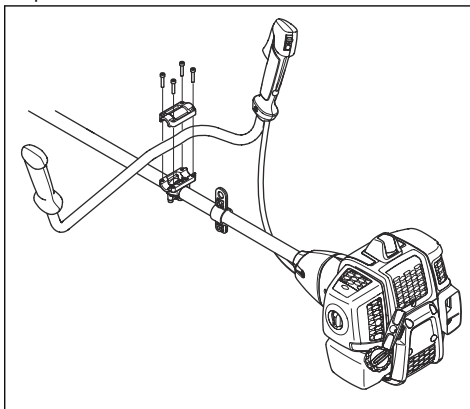
**UPOZORENJE:** Prije sastavljanja proizvoda morate pročitati i usvojiti poglavlje o sigurnosti.



**UPOZORENJE:** Prije sastavljanja proizvoda sa svjećice uklonite kabel svjećice.

### Ugradnja ručke

1. Upravljač pričvrstite na montažni podupirač na način prikazan na slici.



## Ugradnja noževa i glava trimera



**UPOZORENJE:** Za noževe koristite isključivo odobreni štitić. Pogledajte *Tehnički podaci na stranici 558*. Oštećeni štitić može uzrokovati ozljedu.

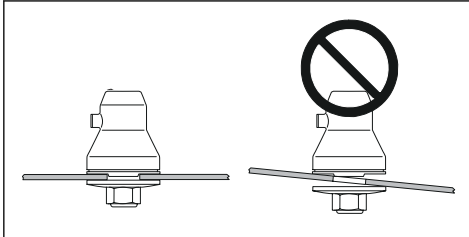


**UPOZORENJE:** Ako proizvod upotrebljavate s nožem za travu, prvo ugradite odgovarajuću dršku, štitić noža i naramenice.



**UPOZORENJE:** Ako noževe ugradite nepravilno, to može uzrokovati ozljede.

1. Podignuti dio pogonske podloške/potporne prirubnice mora biti pravilno umetnut i središnji otvor u noževima.
2. Ugradite noževe.



## Ugradnja štitićnika noža, noža za travu i rezača trave

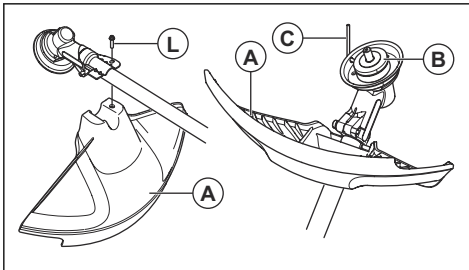


**OPREZ:** Za noževe koristite isključivo odobreni štitić. Pogledajte korisnički priručnik.



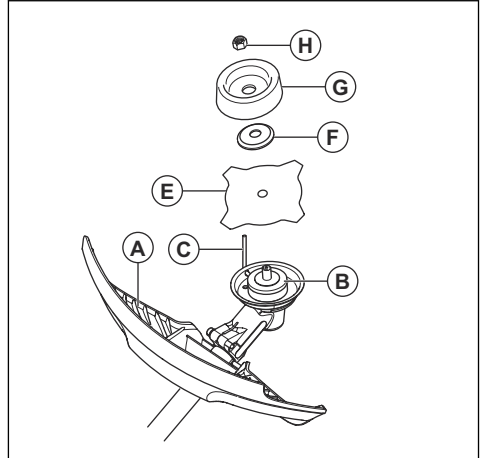
**OPREZ:** Provjerite je li uklonjen produžetak štitićnika.

1. Postavite štitićnik noža/štitićnik reznog nastavka (A) na osovinu i zategnite vijkom (L).



2. Pogonski disk (B) postavite na izlaznu osovinu.

3. Okrećite izlaznu osovinu dok se otvori pogonskog diska ne poravnaju s odgovarajućim otvorom na kućištu mjenjača.
4. Umetnite zaporni klin (C) u otvor da biste blokirali osovinu.
5. Postavite nož (E), potporna prirubnica (F) i potporni poklopac (G) na izlaznu osovinu.
6. Postavite maticu (H). Osovinu ključa približite štitićniku noža što je moguće više. Za zatezanje matice ključ morate vrtjeti u smjeru suprotnom od smjera vrtnje. Maticu dobro zategnite sa momentom od 35-50 Nm (3,5-5 kp/m).



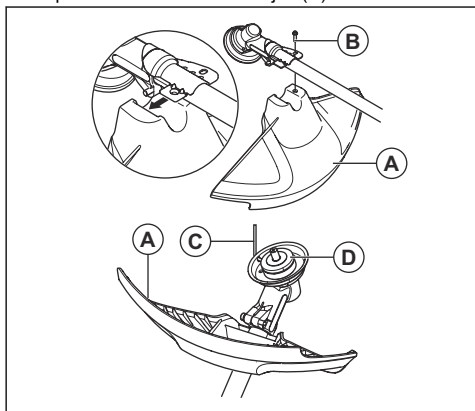
**Napomena:** Lijevo navoj.

## Postavljanje štitićnik trimera i glave trimera

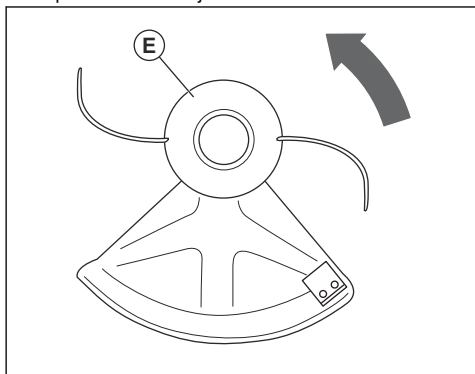
**Napomena:** Postavite ispravan štitićnik trimera za odgovarajuću glavu trimera.

1. Pričvrstite ispravan štitićnik trimera / kombinirani štitićnik (A) za glavu trimera.

2. Postavite štitnik trimera / kombinirani štitnik na osovinu i pričvrstite ga vijkom (B). Upotrijebite zaporni klin ili šesterokutni ključ (C).



3. Umetnite zaporni klin ili šesterokutni ključ (C) u utor na glavi vijka i zategnite.
4. Pogonsku podlošku (D) pričvrstite na izlaznu osovinu.
5. Izlaznu osovinu okrećite dok se otvori pogonskog diska ne poravnaju s odgovarajućim otvorom na kućištu mjenjača.
6. Postavite zaporni klin ili šesterokutni ključ (C) u otvor kako biste blokirali osovinu.
7. Ugradite glavu trimera / plastične noževe (E). Okrenite glavu trimera / plastične noževe u smjeru suprotnom od kazaljke na satu.



8. Za rastavljanje slijedite upute u obrnutom slijedu.

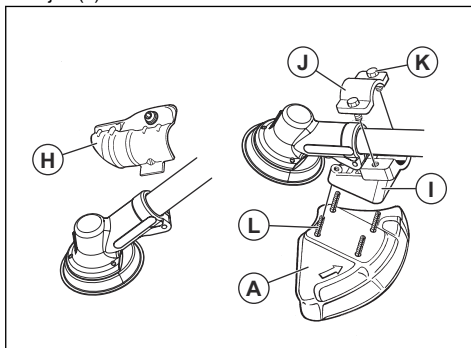
### Ugradnja štitnika pile i kružne pile



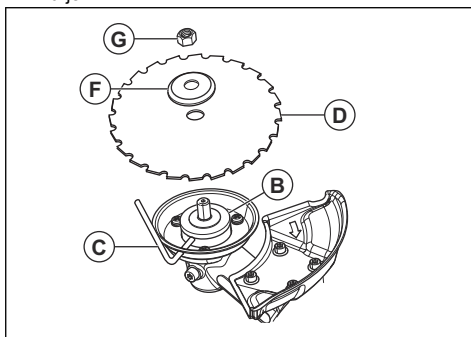
**OPREZ:** Za noževe koristite isključivo odobreni štitnik. Pogledajte *Tehnički podaci na stranici 558*.

1. Uklonite montažnu pločicu (H).

2. Postavite adapter (I) i nosač (J) s pomoću dva vijka (K).
3. Postavite štitnik noža (A) na adapter s pomoću 4 vijka (L).

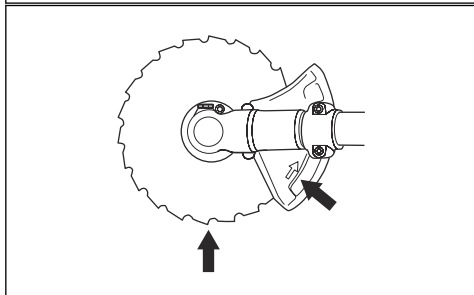
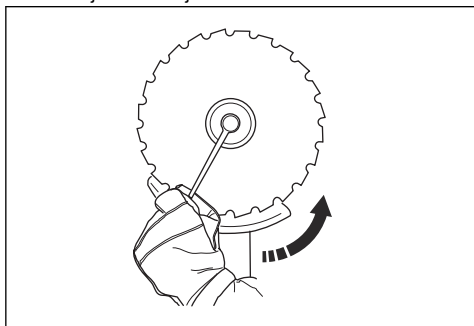


4. Pogonski disk (B) postavite na izlaznu osovinu.
5. Osovinu pile okrećite dok se jedan od otvora u pogonskoj podlošci ne poravnava s odgovarajućim otvorom u pogonskom kućištu.
6. U otvor umetnite klin za blokiranje (C) kako biste osigurali osovinu.
7. Postavite nož (D) i potpurnu prirubnicu (F) na izlaznu osovinu.
8. Postavite maticu (G). Maticu treba zategnuti na zatezni moment od 35 – 50 Nm (3,5 – 5 kp/m). Koristite nasadni ključ iz kompleta alata. Dršku ključa držite što je moguće bliže štitniku noža. Matica se zateže okretanjem ključa u smjeru suprotnom smjeru vrtnje.



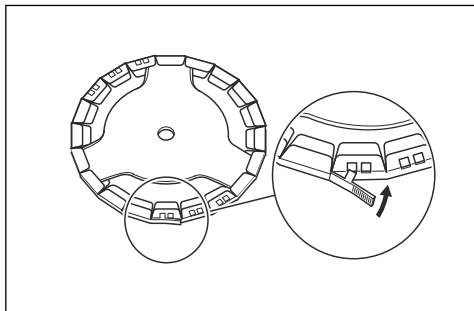
**Napomena:** Lijevi navoj.

9. Pri otpuštanju i zatezanju matice kružne pile možete ozlijediti ruku na zube pile. Stoga pazite da vam je ruka uvijek zaštićena štitnikom pile. Uvijek upotrebljavajte nasadni ključ s dovoljno dugom ručkom. Strelica na dijagramu pokazuje područje u kojem trebate upotrebljavati nasadni ključ pri otezanju i zatezanju.



### Postavljanje prienosnog štitnika

1. Prijenosni štitnik pričvrstite na nož na način prikazan na slici.



### Prilagodba naramenice

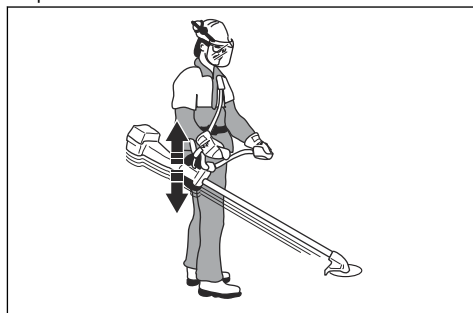


**UPOZORENJE:** Proizvod uvijek mora biti pravilno pričvršćen na naramenice. Ako nije, proizvodom ne možete upravljati na siguran način te možete ozlijediti sebe ili druge osobe. Ne upotrebljavajte neispravne naramenice. Nemojte upotrebljavati naramenice s oštećenom kopčom za brzo otpuštanje.

1. Odjenite naramenice.
2. Povežite proizvod s naramenicama.
3. Prilagodite naramenice za najbolji radni položaj.
4. Bočne naramenice prilagodite tako da opterećenje težinom proizvoda podjednako rasporedite na ramena.



5. Naramenice prilagodite tako da je rezni pribor paralelan s tlom.



6. Rezni pribor lagano pristonite na tlo. Prilagodite stezaljku naramenice kako biste pravilno uravnotežili proizvod.

**Napomena:** Ako upotrebljavate nož za travu, on mora lebdjeti približno 10 cm /4 in iznad tla.

### Rad



**UPOZORENJE:** Prije korištenja proizvoda pročitajte i usvojite poglavlje o sigurnosti.

## Uvod



**UPOZORENJE:** Prije rada s proizvodom morate pročitati i usvojiti poglavlje o sigurnosti.

## Gorivo

Proizvod ima dvotaktni motor.



**OPREZ:** Neispravna vrsta goriva može uzrokovati oštećenje motora. Upotrebljavajte mješavinu benzina i ulja za dvotaktne motore.

## Prethodno izmiješano gorivo

- Upotrebljavajte McCulloch prethodno izmiješano alkilatno gorivo za najbolje performanse motora i produljenje njegova životnog vijeka. To gorivo sadrži manje štetnih kemikalija u usporedbi s uobičajenim gorivom koje sadržava štetne ispušne plinove. Količina ostataka nakon sagorijevanja manja je s ovim gorivom, što komponente motora održava čišćima.

## Miješanje goriva

### Benzin

- Upotrebljavajte kvalitetni bezolovni benzin s maksimalnim udjelom etanola od 10 %.



**OPREZ:** Nemojte upotrebljavati benzin s oktanskim brojem manjim od 90 RON / 87 AKI. Upotreba nižeg oktanskog broja može prouzročiti lupanje u motoru, što izaziva oštećenja motora.

### Ulje za dvotaktne motore

- Za najbolje rezultate i performanse upotrebljavajte McCulloch ulje za dvotaktne motore.
- Ako ulje za dvotaktne motore tvrtke McCulloch nije dostupno, upotrijebite neko drugo ulje za dvotaktne motore dobre kvalitete za motore sa zračnim hlađenjem. O odabiru ispravne vrste ulja razgovarajte sa svojim servisnim zastupnikom.



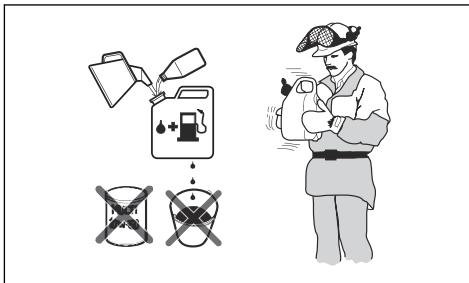
**OPREZ:** Ne upotrebljavajte ulje za dvotaktne vanbrodske motore hlađene vodom, poznato još i kao ulje za vanbrodske motore. Nemojte upotrebljavati ulje za četverotaktne motore.

## Miješanje benzina i ulja za dvotaktne motore

Benzin, litra	Ulje za dvo- taktne motore, litra
	<b>2 % (50:1)</b>
5	0,10
10	0,20
15	0,30
20	0,40
US galon	US fl. oz.
1	2 ½
2 1/2	6 ½
5	12 ¼



**OPREZ:** Čak i male pogreške mogu drastično utjecati na omjer mješavine kada miješate manje količine goriva. Pažljivo izmjerite količinu ulja kako biste bili sigurni da ćete dobiti ispravnu mješavinu.



1. Polovicu količine benzina ulijte u čisti spremnik za gorivo.
2. Ulijte cijelu količinu ulja.
3. Promiješajte mješavinu goriva.
4. Ulijte preostalu količinu benzina u spremnik.
5. Pažljivo promiješajte mješavinu goriva.



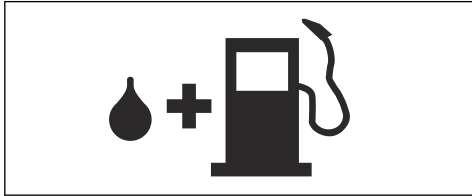
**OPREZ:** Gorivo ne miješajte za razdoblje dulje od 1 mjeseca.

## Punjenje spremnika za gorivo



**UPOZORENJE:** Pratite postupak koji osigurava vašu sigurnost.

1. Zaustavite motor i pričekajte na hlađenje motora.
2. Očistite područje oko čepa spremnika za gorivo.



3. Protresite spremnik i provjerite je li gorivo u potpunosti izmiješano.
4. Čep spremnika za gorivo uklonite polako kako biste otpustili tlak.
5. Napunite spremnik za gorivo.



**OPREZ:** U spremniku za gorivo ne smije biti previše goriva. Gorivo se širi kada je vruće.

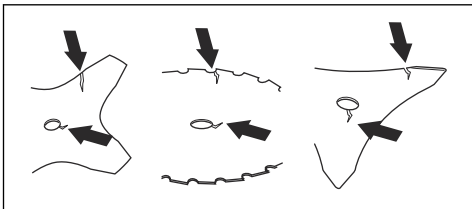
6. Pažljivo pritegnite čep spremnika za gorivo.
7. Očistite proliveno gorivo s i oko proizvoda.
8. Prije pokretanja motora odmaknite ovaj proizvod 3 m / 10 stopa od mjesta na kojemu nadolijevate gorivo.

**Napomena:** Da biste saznali gdje se na vašem proizvodu nalazi spremnik za gorivo, pročitajte odjeljak *Pregled proizvoda na stranici 537*.

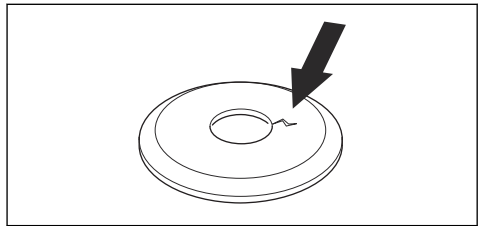
## Pokretanje i zaustavljanje

### Prije rada s proizvodom

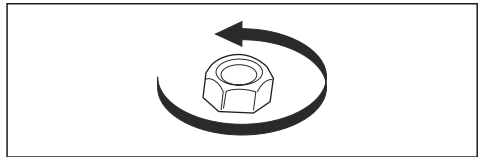
- Pregledajte radno područje kako biste se upoznali s vrstom terena, nagibom tla te ustanovili ima li prepreka poput kamenja, granja i jaraka.
- Provedite detaljni pregled proizvoda.
- Provedite sigurnosne preglede, održavanje i servisiranje iz ovog priručnika.
- Provjerite jesu li svi poklopci, štitnici, ručke i rezna oprema neoštećeni i pravilno pričvršćeni.
- Uvjerite se kako nema pukotina u dnu zubaca kružne pile ili noža za travu, ili uz središnji otvor noža. Zamijenite nož ako je oštećen.



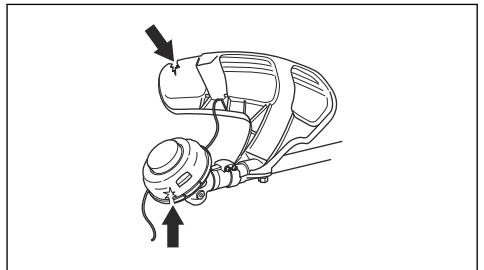
- Pregledajte ima li pukotina na potpornoj pribornici. Ako je potporna pribornica oštećena, zamijenite ju.



- Uvjerite se kako se sigurnosna matica ne može ukloniti rukom. Ako ju možete ukloniti ručno, nedovoljno pričvršćuje rezni nastavak i morate ju zamijeniti.



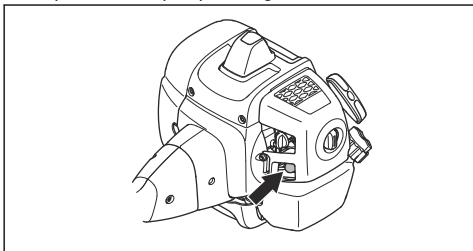
- Pregledajte ima li na štitniku noža oštećenja ili pukotina. Zamijenite štitnik noža ako je udaren ili napukao.
- Pregledajte ima li na glavi trimera i štitniku za rezni nastavak oštećenja ili pukotina. Zamijenite glavu trimera i štitnik za rezni nastavak ako su udareni ili napukli.



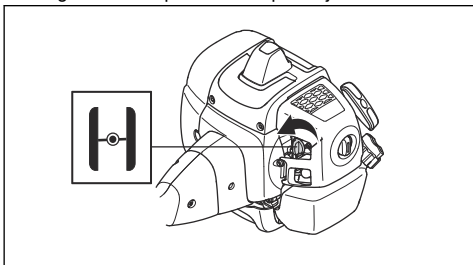
### Pokretanje motora

1. Proizvod postavite na ravnu i stabilnu površinu. Rezni pribor ne postavljajte na tlo.

2. Pritišćite čašicu pumpe za gorivo dok se čašica ne počne puniti gorivom. Nije neophodno do kraja napuniti čašicu pumpice za gorivo.

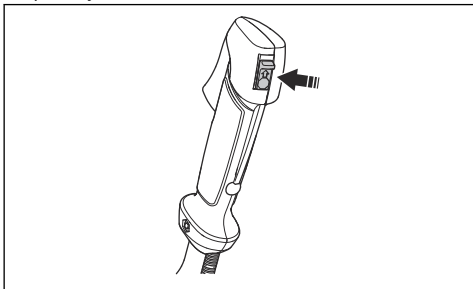


3. Regulator čoka pomaknite u položaj za čok.

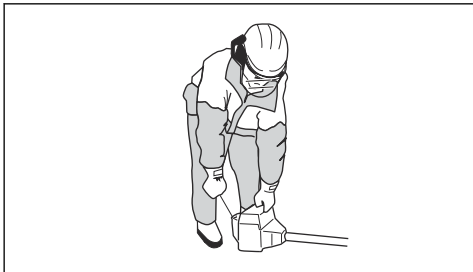


**UPOZORENJE:** Dodatak za rezanje počēt će se okretati čim pokrenete motor čokom.

4. Sklopku za pokretanje/zaustavljanje postavite u položaj RUN.



5. Kućište proizvoda lijevom rukom pritisnite uz tlo.



6. Ručicu užeta pokretača držite desnom rukom.

7. Polako desnom rukom povucite ručicu za paljenje dok ne osjetite malo otpora.



**UPOZORENJE:** Nikad ne omotavajte užē pokretača oko šake.

8. Snažno i brzo povucite užē. Povlačite užē za paljenje nekoliko puta sve dok se ne pokrene motor.



**OPREZ:** Užē pokretača nemojte izvući do kraja i nemojte puštati ručicu užeta pokretača kada je užē pokretala potpuno izvučeno. Tako možete oštetiti proizvod.

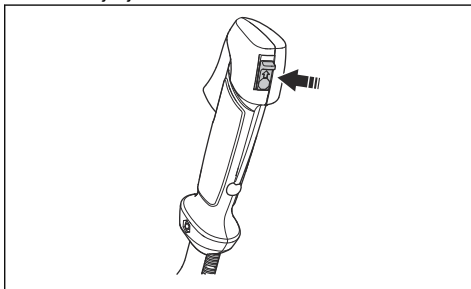
9. Kad se motor pokrene, vratite čok na mjesto.

10. Kad se motor pokrene, postupno dodajte gas.

11. Motor mora ujednačeno raditi i prije početka rada pričekajte 1 – 2 minute da se zagrije.

### Zaustavljanje proizvoda

- Za zaustavljanje motora pritisnite prekidač za zaustavljanje.



### Povratni udar

- Povratni udar je iznenadni pomak proizvoda u stranu, prema naprijed ili unatrag. Povratni udar nastaje kada nož za travu udari u predmet koji ne može presjeći. Opasnost od povratnog udara povećana je u područjima u kojima je loš pregled rezanog materijala.
- Pri pojavi povratnog udara postoji opasnost od promjene položaja rukovatelja. Nož u pokretu može udariti promatrače i uzrokovati ozljede.
- Ako je nož savijen, ima pukotine, slomljen ili oštećen, odstranite ga.
- Primjenjujte oštar nož. Tupi nož povećava opasnost od povratnog udara.

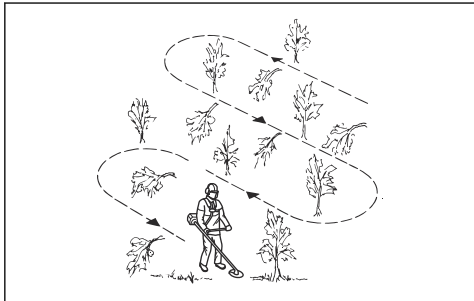
### Opće radne upute



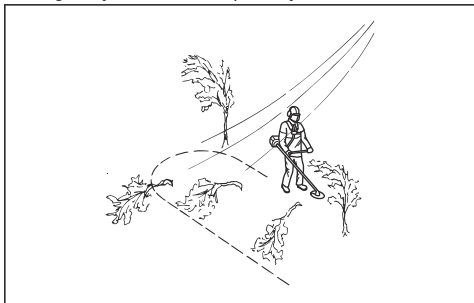
**UPOZORENJE:** Budite pažljivi prilikom sječe nategnutog stabla. Ono se prije ili nakon reza može naglo vratiti u uobičajeni položaj u udariti vas ili proizvod te uzrokovati ozljedu.



- Napravite čistinu u jednom dijelu radnog područja i započnite s radom iz nje.
- Krećite se kroz radno područje po pravilnom uzorku.



- Proizvod pomičite potpuno ulijevo i udesno kako biste svakim okretom očistili širinu od 4 – 5 m.
- Prije okretanja i povratka očistite duljinu od 75 m. Kako napredujete, sa sobom nosite spremnik za gorivo.
- Krećite se u smjeru u kojem što manje morate prelaziti preko jaraka i prepreka.
- Krećite se u smjeru u kojem vjetar poliježe vegetaciju u očišćenom području.



- Krećite se duž nagiba, ne gore i dolje.

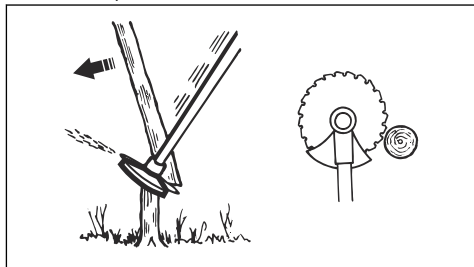
## Čišćenje u šumarstvu s kružnom pilom

### Rušenje stabla ulijevo

Za rušenje stabla ulijevo pritisnite dno stabla udesno.

1. Dajte puni gas.
2. Postavite kružnu pilu na stablo kako je prikazano na slici.

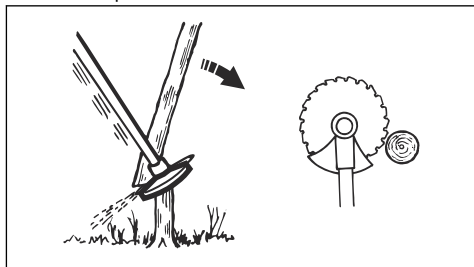
3. Nagnite kružnu pilu i snažno ju pritisnite dijagonalno prema dolje i udesno. Istovremeno pritisnite deblo štitnikom pile.



### Rušenje stabla udesno

Za rušenje stabla udesno pritisnite dno stabla ulijevo.

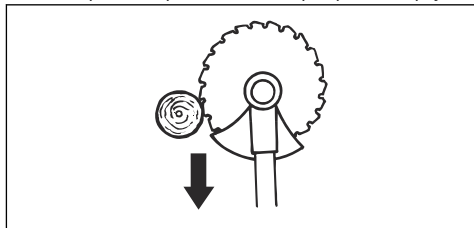
1. Dajte puni gas.
2. Postavite kružnu pilu na stablo kako je prikazano na slici.
3. Nagnite kružnu pilu i snažno ju pritisnite dijagonalno prema gore i udesno. Istovremeno pritisnite deblo štitnikom pile.



### Rušenje stabla prema naprijed

Za rušenje prema naprijed dno stabla gurnite unazad.

1. Dajte puni gas.
2. Postavite kružnu pilu na stablo kako je prikazano na slici.
3. Brzim potezom povucite kružnu pilu prema naprijed.

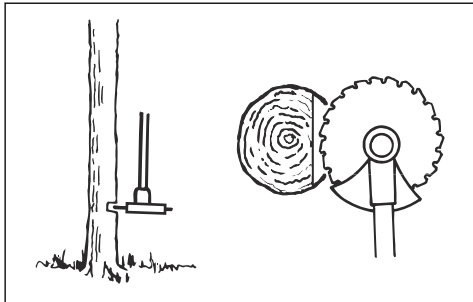


### Rušenje velikih stabala

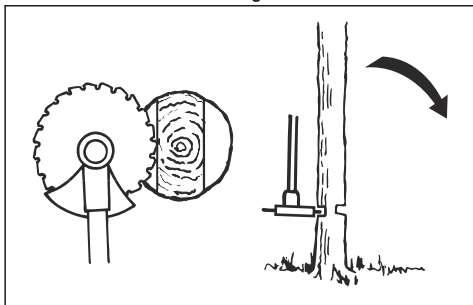
Velika stabla morate rezati s 2 strane.

1. Provjerite u kojem smjeru će stablo pasti.
2. Dajte puni gas.

3. Prvi rez napravite na strani stabla na koju će pasti.



4. Prorežite kroz stablo s druge strane.



**OPREZ:** Ako kružna pila zapne, proizvod nemojte izvlačiti trzajem. Tako možete oštetiti kružnu pilu, pužni zglob, osovinu ili upravljač. Pustite ručke, primite osovinu s 2 ruke i pažljivo izvucite proizvod.

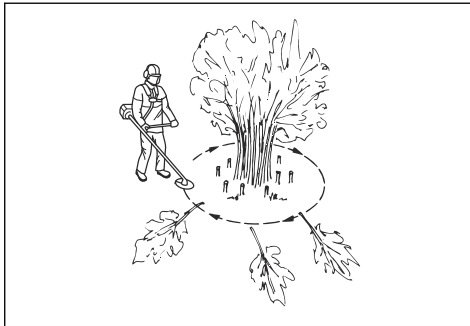
**Napomena:** Manja stabla rušite s većim pritiskom rezanja. Veća stabla rušite s manjim pritiskom rezanja.

## Čišćenje šikare s kružnom pilom

Za rušenje stabla ulijevo pritisnite dno stabla udesno.

- Porežite tanka stabla i grmlje.
- Pomičite proizvod s jedne strane na drugu.
- Režite više stabala u jednom pokretu.

• Za skupine tankih stabala:



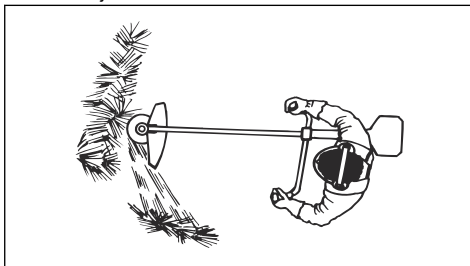
- a) Vanjska stabla režite visoko.
- b) Vanjska stabla izrežite na ispravnu visinu.
- c) Režite iz sredine. Ako ne možete pristupiti sredini, visoko izrežite vanjska stabla i pustite da se sruše. Tako smanjujete opasnost od zaglavljenja kružne pile.

## Čišćenje trave nožem za travu



**OPREZ:** Noževe i rezače za travu nemojte upotrebljavati za rezanje drveta. Noževe i rezače za travu upotrebljavajte samo za gustu travu.

- Pomičite proizvod s jedne strane na drugu.
- Rezanje započinite pokretom s desna na lijevo. Prije ponovnog reza proizvod pomaknite udesno.
- Režite lijevom stranom noža za travu.



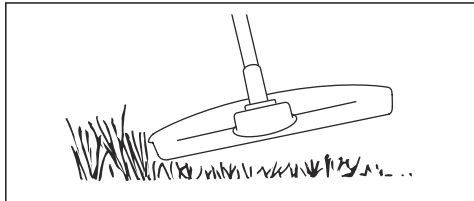
- Nagnite nož za travu ulijevo kako bi trava padala po pravcu. To olakšava sakupljanje trave.
- Održavajte stabilan položaj s razdvojenim nogama.
- Pomaknite se naprijed nakon svakog pomaka udesno i prije novog reza provjerite imate li stabilan položaj.
- Potporni poklopac lagano pritisnite uz tlo kako biste spriječili udaranje noža za travu u tlo.
- Pratite sljedeće upute kako biste smanjili opasnost od namatanja materijala oko noža za travu:
  - a) Dajte puni gas.
  - b) Nož za travu nemojte pomicati kroz odrezani materijal tijekom pomaka proizvoda s lijeva na desno.

- Prije skupljanja odrezanog materijala zaustavite motor i odspojite stroj od naramenica. Spustite proizvod na tlo.

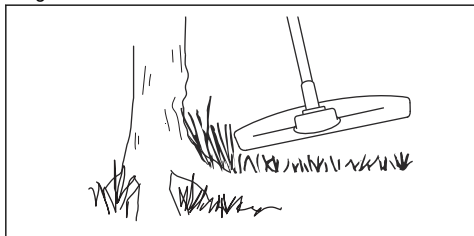
## Obrezivanje trave glavom trimera

### Podrezivanje trave

1. Glavu trimera držite neposredno iznad tla i pod kutom. Flaks trimera nemojte utiskati u travu.



2. Smanjite duljinu flaksa trimera za 10 – 12 cm / 4 – 4,75 in.
3. Smanjite broj okretaja kako biste smanjili rizik od oštećenja bilja.
4. Ako kosite travu u blizini predmeta, koristite 80 % gasa.



### Čišćenje trave

1. Glavu trimera držite iznad tla.
2. Nagnite glavu trimera.
3. Oko predmeta u radnom području režite s krajem flaksa trimera.

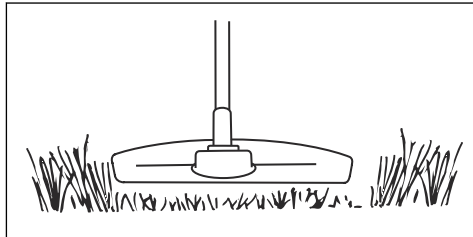


**OPREZ:** Režite travu. Ako flaksom trimera udarate u druge predmete, pojačavate trošenje flaksa trimera.

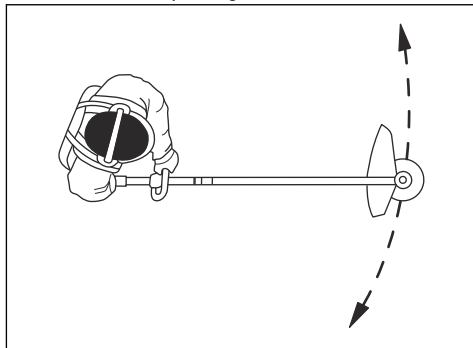
4. Vegetaciju režite i čistite s 80 % brzine. Tako smanjujete trošenje glave trimera i flaksa trimera.

## Košenje trave

1. Flaks trimera tijekom košenja treba biti paralelan s tлом.



2. Glavu trimera nemojte pritiskati na tlo. Tako možete oštetiti proizvod.
3. Pri košnji trave pomičite proizvod s jedne na drugu stranu. Radite s punim gasom.



### Čišćenje trave

Tok zraka rotirajućeg flaksa trimera možete upotrijebiti za uklanjanje odrezane trave iz područja.

1. Glavu trimera i flaks držite paralelno iznad tla.
2. Dajte puni gas.
3. Pomičite glavu trimera s jedne na drugu stranu kako biste počistili travu.



**UPOZORENJE:** Pri svakom postavljanju novog flaksa trimera očistite poklopac glave trimera kako biste spriječili neuravnoteženost i vibracije na ručkama. Također pregledajte druge dijelove glave trimera i po potrebi ih očistite.

## Održavanje

### Uvod



**UPOZORENJE:** Prije održavanja proizvoda pročitajte i usvojite sigurnosno poglavlje.

## Raspored održavanja

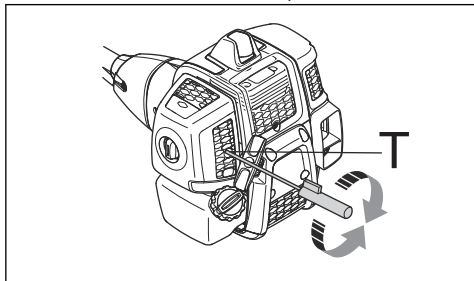
Održavanje	Dnevno	Tjedno	Mjesečno
Očistite vanjsku površinu.	X		
Provjerite jesu li naramenice oštećene.	X		
Provjerite blokadu regulatora gasa i regulator gasa. Pogledajte <i>Provjera blokade regulatora gasa na stranici 541.</i>	X		
Pregledajte ima li oštećenja na ručki i upravljaču i uvjerite se da su pravilno pričvršćeni.	X		
Provjerite sklopku za zaustavljanje. Pogledajte <i>Provjera sklopke za zaustavljanje na stranici 542.</i>	X		
Rezni nastavak ne smije se okretati u praznom hodu.	X		
Očistite filtar zraka. Ako je oštećena, zamijenite je.	X		
Pregledajte ima li na reznom nastavku oštećenja ili pukotina.	X		
Provjerite jesu li kružna pila ili nož za travu pravilno pričvršćeni. Provjerite jesu li kružna pila ili nož za travu oštri te da nisu oštećeni.	X		
Pregledajte ima li oštećenja i pukotina na glavi trimera. Ako je oštećena, zamijenite je.	X		
Na reznom nastavku s pričvrsnom maticom u potpunosti zategnite pričvrsnu maticu.	X		
Pregledajte ima li na prijenosnom štitniku oštećenja i uvjerite se da se može pravilno pričvrstiti.	X		
Zategnite matice i vijke.	X		
Pregledajte ima li curenja na motoru, spremniku i vodovima za gorivo.	X		
Provjerite ima li oštećenja na pokretaču ili užetu pokretača.		X	
Pregledajte svjećicu. Pogledajte <i>Pregled svjećice na stranici 558.</i> Ako je potrebno, zamijenite svjećicu. Pazite ima li svjećica štitnik protiv radio valova.		X	
Očistite vanjsku površinu rasplinjača i prostor oko njega.		X	
Provjerite je li pužni zglob pravilno ispunjen mazivom. Pogledajte <i>Pužni zglob na stranici 558.</i>		X	
Provjerite čistoću filtra za gorivo te ima li na crijevu za gorivo pukotina ili drugih oštećenja. Ako je to potrebno, zamijenite ih.			X
Pregledajte sve kabele i priključke.			X
Promijenite svjećicu. Pazite ima li svjećica štitnik protiv radio valova.			X

## Podešavanje broja okretaja u praznom hodu

Igle za visoku i nisku brzinu fiksirane su i ne mogu se podesiti. Brzina praznog hoda jedina je funkcija koja se može podešavati.

1. Pokrenite motor i provjerite je li se zagrijao prije nego počnete podešavati brzinu praznog hoda.

2. Vijak za prazni hod okrećite u smjeru kazaljke na satu dok se rezni nastavak ne počne okretati.



3. Vijak za prazni hod okrećite u smjeru suprotnom od kazaljke na satu dok se rezni nastavak ne zaustavi.
4. Broj okretaja motora u praznom hodu mora biti manji od broja okretaja pri kojem se rezni pribor počinje okretati. Broj okretaja motora u praznom hodu pravilan je kada motor radi ugladeno u svim položajima.

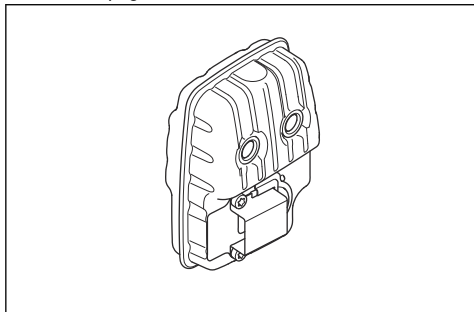
## Održavanje prigušivača

Prigušivač smanjuje razinu buke i usmjerava ispušne plinove dalje od rukovatelja.

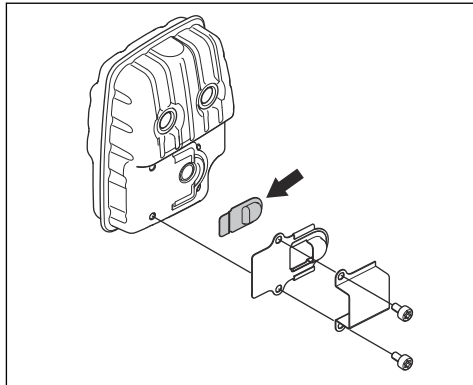


**UPOZORENJE:** Prigušivači s katalizatorima jako se zagriju tijekom rada i ostaju vrući neko vrijeme nakon zaustavljanja proizvoda. To vrijedi i pri radu u praznom hodu. Ako dodirnete proizvod, možete opeći kožu. Pazite na opasnost od požara.

1. Zaustavite proizvod i pričekajte da se ohladi.
2. Uklonite prigušivač.



3. Uklonite vijke koji drže mrežicu za hvatanje iskri.



4. Očistite neprohodnu mrežicu za hvatanje iskri, a oštećenu zamijenite.



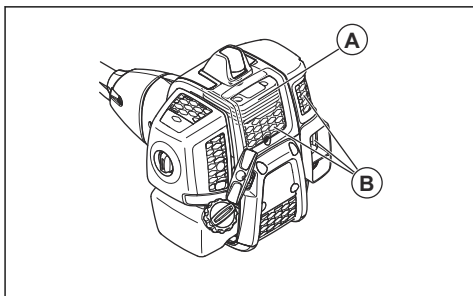
**OPREZ:** Ako je mrežica za hvatanje iskri oštećena, morate je zamijeniti. Ne upotrebljavajte ovaj proizvod bez mrežice za hvatanje iskri na prigušivaču ili s oštećenom mrežicom za hvatanje iskri.



**OPREZ:** Ako se mrežica za hvatanje iskri zna često začeptiti, to može biti znak smanjene učinkovitosti katalizatora. Za pregled prigušivača obratite se distributeru. Začepljena mrežica za hvatanje iskri izazvat će pregrijavanje i rezultirati oštećenjem cilindra i klipa.

## Čišćenje/održavanje rashladnog sustava

Proizvod ima rashladni sustav. Prljav ili neprohodan rashladni sustav uzrokuje pregrijavanje proizvoda, što može uzrokovati oštećenje klipa i cilindra. Pregledajte i četkom očistite rashladni sustav jednom tjedno, ili češće u zahtjevnim uvjetima. Rashladni sustav sastoji se od rashladnih rebara na cilindru (A) i usisa zraka (B).



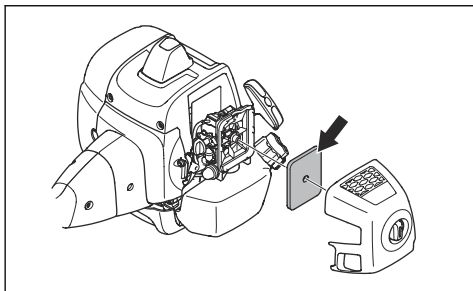
## Filtar zraka

Prijav filter zraka može uzrokovati kvar rasplinjača, probleme pri pokretanju, gubitak snage motora i trošenje dijelova motora. Također uzrokuje povećanu potrošnju goriva. Filtar čistite u intervalima od 8 sati, ili češće ako proizvod upotrebljavate u prašnjavom okruženju.

**Napomena:** Nakon čišćenja ili zamjene filtra zraka može biti potrebno podešavanje motora. Pogledajte *Podešavanje broja okretaja u praznom hodu na stranici 556.*

### Čišćenje i pregled filtra zraka

1. Uklonite filtir zraka.



2. Filcane filter zraka očistite stlačenim zrakom.

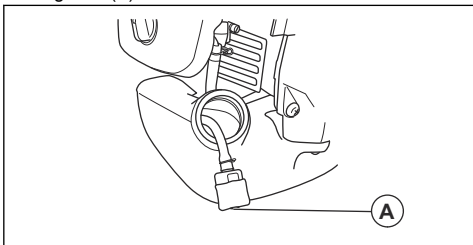


**OPREZ:** Ako filcane filtere zraka nije moguće očistiti, zamijenite ih. Oštećeni filcane filter zraka obavezno zamijenite.

3. Očistite unutarnju površinu poklopca filtra za zrak (A). Upotrijebite komprimirani zrak ili četku.

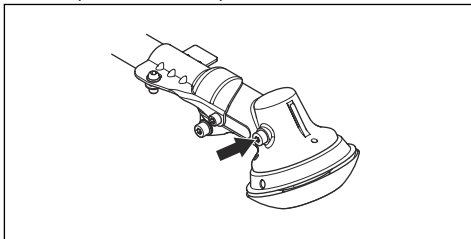
### Filtar za gorivo

Kada dovod goriva u motoru oslabi, provjerite prohodnost otvora za zrak na čepu spremnika za gorivo i filtra goriva (A).



## Pužni zglob

Pužni zglob tvornički je napunjen odgovarajućom količinom maziva. Ali, prije uporabe ovog proizvoda, provjerite je li pužni zglob napunjen mazivom do 3/4. Koristite posebno mazivo poduzeća McCulloch.



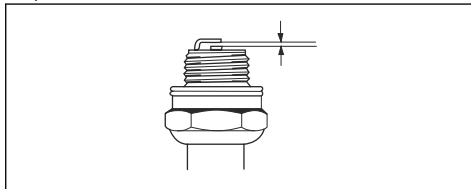
Ne trebate mijenjati mazivo u pužnom zglobu osim ako ga ne popravljate.

### Pregled svječice



**OPREZ:** Uvijek koristite preporučenu vrstu svječice. Neodgovarajuća vrsta svječice može oštetiti proizvod.

- Ako motor nema snage, teško se pokreće ili ne radi ispravno u praznom hodu, pregledajte svječicu.
- Za smanjenje opasnosti od nepoželjnog materijala na elektrodama svječice pratite sljedeće upute:
  - a) Provjerite je li broj okretaja pri praznom hodu pravilno podešen.
  - b) Provjerite ispravnost mješavine goriva.
  - c) Provjerite je li filter zraka čist.
- Ako je svječica prljava, očistite je i provjerite ispravnost zazora elektroda, pogledajte *Tehnički podaci na stranici 558.*



- Ako je potrebno, zamijenite svječicu.

## Tehnički podaci

	B40 B Elite	B40 BT Elite
Motor		

	<b>B40 B Elite</b>	<b>B40 BT Elite</b>
Zapremnina cilindra, cm <sup>3</sup>	40,1	40,1
Promjer cilindra, Ø mm	40,5	40,5
Dužina hoda u cilindru, mm	31,1	31,1
Broj okretaja u praznom hodu, o/min	3000	3000
Preporučeni maks. broj okretaja, o/min	12000	12000
Broj okretaja izlazne osovine, o/min	8220	8220
Maks. snaga motora prema normi ISO 8893, kW na o/min	1,5 na 9000	1,5 na 9000
<b>Sustav paljenja</b>		
Svjećica	NGK CMR7H-10	NGK CMR7H-10
Razmak elektroda, mm	0,9 – 1,0	0,9 – 1,0
<b>Sustav za gorivo i podmazivanje</b>		
Proizvođač / tip rasplinjača	Ruixing H225D-	Ruixing H225D-
Zapremnina spremnika za gorivo, l/cm <sup>3</sup>	1/1000	1/1000
<b>Težina</b>		
Bez goriva, reznog nastavka i štitnika, kg	7,3	7,4
<b>Emisije buke<sup>61</sup></b>		
Izmjerena jačina zvuka dB(A)	112	112
Jamčena razina jakosti zvuka L <sub>WA</sub> dB (A)	118	118
<b>Jačine zvuka<sup>62</sup></b>		
Razina tlaka zvuka na rukovateljevu uhu, mjereno u skladu s normom EN ISO 11806 i ISO 22868, dB (A), min./maks.:		
S glavom trimera (original)	100	100
S nožem za travu (original)	99	99
S kružnom pilom (original)	–	99
<b>Razine vibracije<sup>63</sup></b>		
Jednakovrijedne razine vibracija (a <sub>nv,eq</sub> ) na ručkama, mjerene u skladu s normom EN ISO 11806 i ISO 22867, m/s <sup>2</sup> :		
S glavom trimera (original), lijevo/desno	3,4/4,4	3,4/4,4
S nožem za travu (original), lijevo/desno	5,2/5,1	5,2/5,1
S kružnom pilom (original), lijevo/desno	–	4,5/4,2

<sup>61</sup> \* Emisije buke u okoliš izmjerene kao jakost zvuka (L<sub>WA</sub>) u skladu s Direktivom EZ 2000/14/EZ. Navedena razina jakosti zvuka izmjerena je originalnim reznim nastavkom koji daje najveću razinu. Razlika između zajamčene i izmjerene razine buke jest da zajamčena razina uključuje i raspršenje rezultata mjerenja i varijacije između različitih uređaja istog modela u skladu s Direktivom 2000/14/EZ.

<sup>62</sup> Navedeni podaci za razinu tlaka zvuka uključuju tipično statističko raspršenje (standardno odstupanje) od 1 dB (A).

<sup>63</sup> Podaci o razini vibracije pokazuju tipičnu statističku disperziju (standardnu devijaciju) od 1 m/s<sup>2</sup>.

<b>B40 B Elite, B40 BT Elite</b>		
<b>Odobrena dodatna oprema</b>	<b>Vrsta</b>	<b>Štitnik za rezni nastavak, kat. br.</b>
Središnji otvor na noževima/rezačima, Ø 25,4 mm		
Navoj izlazne osovine M12		
Nož za travu / rezač trave	Nož za travu, 255-4, 1", (Ø 255, 4 zupca)	580 30 50-01
	Nož za travu 255-3 (Ø 255, 3 zupca)	580 30 50-01
Kružna pila	Kružna pila 200-22 (ø 200, 22 zupca)	581 33 84-01
Glava trimera	P35	580 30 50-01
Potporni poklopac	Fiksni	-



---

# Izjava o sukladnosti EC

---

## EZ izjava o sukladnosti

**Husqvarna AB**, SE-561 82 Huskvarna, Švedska, tel: +46-36-146500, izjavljuje da je trimmer **McCulloch B40 B Elite** sa serijskim brojevima iz 2021 godine i noviji (godina je jasno navedena na nazivnoj pločici, uz serijski broj), u sukladnosti sa zahtjevima DIREKTIVE VIJEĆA:

- od 17. svibnja 2006. „o strojevima“ **2006/42/EZ**
- od 26. veljače 2014. „koja se odnosi na elektromagnetsku kompatibilnost“ **2014/30/EU**
- od 8. svibnja 2000. „koja se odnosi na emisije buke u okoliš“ **2000/14/EC**. Procjena sukladnosti prema dodatku V. Informacije o emisiji buke potražite u poglavlju s tehničkim podacima.
- od 8. lipnja 2011. „o ograničenoj upotrebi određenih opasnih tvari u električnoj i elektroničkoj opremi“ **2011/65/EU**.

Primijenjene su sljedeće norme:

**EN ISO 12100:2010, CISPR 12:2007+A1:2009, EN ISO 14982:2009, EN ISO 11806-1:2011, EN IEC 63000:2018**

RISE SMP Svensk Maskinprovning AB, Box 7035, SE-750 07 Uppsala, Sweden provela je dobrovoljno ispitivanje za Husqvarna AB. Certifikati nose sljedeće brojeve: **SEC/12/2339** – B40 B Elite, B40 BT Elite

RISE SMP Svensk Maskinprovning AB također je potvrdila usklađenost s dodatkom V. direktive vijeća 2000/14/EG.

Huskvarna, 2020-08-25



Pär Martinsson, razvojni menadžer (ovlašteni predstavnik tvrtke Husqvarna AB i osoba odgovorna za tehničku dokumentaciju)

---

## VSEBINA

---

Uvod.....	562	Vzdrževanje.....	581
Varnost.....	564	Tehnični podatki.....	584
Montaža.....	572	Izjava ES o skladnosti.....	587
Delovanje.....	575	.....	0

---

## Uvod

---

### Opis izdelka

Ta izdelek je motorna kosa z motorjem z notranjim zgorevanjem.

Stalno delamo na tem, da bi povečali varnost in učinkovitost med delovanjem. Če potrebujete več informacij, se obrnite na servisnega zastopnika.

### Namen uporabe

Izdelek uporabljajte z listom krožne žage, nožem za travo ali kosilno glavo za rezanje različnega rastlinja.

Izdelka ne uporabljajte za druga opravila kot so obrezovanje in odstranjevanje trave ter obrezovanje vej. List krožne žage uporabljajte za žaganje vlakninastih vrst lesa. Nož za travo ali kosilno glavo uporabljajte za košnjo trave.

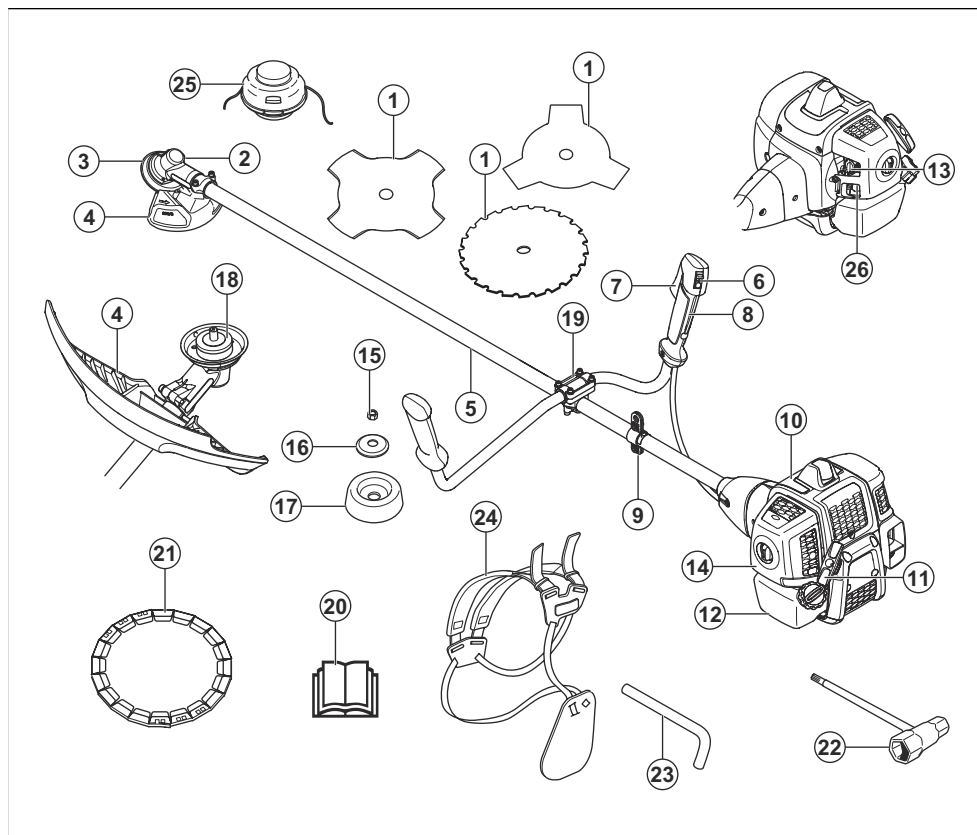
---

**Opomba:** Uporabo lahko urejajo državni ali lokalni predpisi. Upoštevajte veljavne predpise.

---

Izdelek uporabljajte samo z dodatki, ki jih je odobril proizvajalec. Glejte *Tehnični podatki na strani 584*.

## Pregled izdelka



1. Rezilo (ni za vse trge)
2. Pokrovček polnilne odprtine za mast, kotni prenos
3. Kotni prenos
4. Ščitnik rezalnega priključka
5. Gred
6. Stikalo za izklop
7. Ročica plina
8. Zaklep ročice plina
9. Vzmetni obroček
10. Pokrov valja
11. Ročica zaganjalnika
12. Rezervoar za gorivo
13. Ročica čoka
14. Pokrov zračnega filtra
15. Zaklepna matica
16. Oporna prirobnica
17. Podporna skleda
18. Pogonski disk

19. Ročajna objemka
20. Navodila za uporabo
21. Transportni ščitnik (ni za vse trge)
22. Inbus ključ
23. Blokirni zatič (za izdelke brez ključa inbus)
24. Oprtnik
25. Kosilna glava
26. Membrana črpalke goriva

### Simboli na izdelku



**OPOZORILO!** Ta izdelek je nevaren. Neprevidna in nepravilna uporaba izdelka lahko povzroči poškodbe in celo smrt uporabnika ali drugih navzočih oseb. Da preprečite poškodbe uporabnika ali drugih navzočih oseb, preberite in upoštevajte varnostna navodila v navodilih za uporabo.



Pred začetkom uporabe izdelka natančno preberite navodila za uporabo in se prepričajte, da ste jih razumeli.



Na območjih, kjer bi lahko na vas padel kakšen predmet, uporabljajte zaščitno čelado. Uporabljajte odobreno zaščito za sluh. Uporabljajte odobreno zaščito oči.



Uporabljajte odobrene zaščitne rokavice.



Uporabljajte trpežno obutev, ki ne drsi.



Izdelek lahko povzroči izmet predmetov, kar lahko vodi do poškodb.



Najvišja hitrost pogonske gredi.



Med uporabo izdelka bodite na varni razdalji 15 m (50 ft) od drugih oseb in živali.



Če se rezalna oprema dotakne predmeta, ki ga ne odreže nemudoma, obstaja tveganje za nevaren izmet materiala. Izdelek lahko odreže telesne dele. Med uporabo izdelka bodite na varni razdalji 15 m (50 ft) od drugih oseb in živali.



Uporabljajte samo prožno rezalno žico. Ne uporabljajte kovinskih rezil. To velja za dodatno opremo, ščitnik za travo.



Puščici označujeta mejna položaja ročaja.



Membrana črpalke goriva.



Dolivanje goriva.



Čok.



Emisija hrupa v okolje je skladna z Evropsko direktivo 2000/14/ES in zakonodaja Novega južnega Walesa, in sicer z direktivo "Zaščita okolja pri delu (nadzor hrupa) iz 2017". Podatke o emisijah hrupa najdete na oznaki stroja in v poglavju *Tehnični podatki na strani 584*.



Izdelek je skladen z veljavnimi direktivami ES.

yyyywwxxxx

Na tipski ploščici ali laserskemu natisu je navedena serijska številka. **yyyy** je proizvodno leto in **ww** je teden izdelave.

**Opomba:** Ostali simboli in oznake na izdelku se nanašajo na zahteve za certifikacijo, ki veljajo za druga komercialna območja.

## Odgovornost proizvajalca

Kot je navedeno v zakonodaji, ki ureja odgovornost proizvajalca, ne prevzemamo nikakršne odgovornosti za poškodbe, ki bi jih naši izdelki povzročili v naslednjih primerih:

- Izdelek ni pravilno popravljen.
- Izdelek je popravljen z deli, ki jih ni izdelal ali odobril proizvajalec.
- Na izdelku je nameščena dodatna oprema, ki je ni izdelal ali odobril proizvajalec.
- Izdelek ni bil popravljen v pooblaščenem servisnem centru ali pri pooblaščenem organu.

## Stopnja emisij Euro V



**OPOZORILO:** Zaradi predelave motorja se razveljavi EU-homologacija tega izdelka.

## Varnost

### Varnostne definicije

Spodnje definicije označujejo stopnjo resnosti posameznih opozorilnih besed.



**OPOZORILO:** Poškodbe oseb.



**POZOR:** Poškodbe izdelka.

**Opomba:** Te informacije olajšajo uporabo izdelka.

## Splošna varnostna navodila



**OPOZORILO:** Pred uporabo izdelka preberite navodila v povezavi z opozorili v nadaljevanju.

- Izdelek med delovanjem ustvarja elektromagnetno polje. To polje lahko v nekaterih pogojih moti delovanje aktivnih ali pasivnih medicinskih vsadkov. Uporabnikom medicinskih vsadkov svetujemo, da se pred uporabo tega izdelka posvetujejo z zdravnikom ali proizvajalcem medicinskega vsadka, s čimer zmanjšajo nevarnost resnih ali smrtnih poškodb.
- Izdelka ne uporabljajte, ko ste utrujeni, bolni, ali pod vplivom alkohola, drog ali zdravil. To negativno vpliva na vaš vid, pozornost, koordinacijo in presojo.
- Izdelka ne uporabljajte v slabem vremenu, npr. gosti megli, močnem deževju in vetru ter hudem mrazu.
- Uporaba izdelka v slabem vremenu je utrujajoča in prinaša dodatna tveganja, npr. pri zaledenelih tleh in nepredvidljivi smeri podiranja.
- Vedno bodite previdni in ravnajte razumno. Če tudi po branju navodil za uporabo niste prepričani o delovni situaciji ali delovnih postopkih, se pred delom posvetujte s pooblaščenim servisno delavnic.
- Če izdelek pustite brez nadzora, odstranite pokrov svečke.

## Varnostna navodila za nameščanje



**OPOZORILO:** Pred uporabo izdelka preberite navodila v povezavi z opozorili v nadaljevanju.

- Pri sestavljanju izdelka in rezalnega priključka uporabljajte odobrene zaščitne rokavice.
- Preden sestavite izdelek odklopite pokrovček vžigalne svečke s svečke.
- Pred uporabo izdelka se prepričajte, da sta nameščena ustrezni ročaj in ščitnik rezalnega priključka.
- Poškodovan ali napačen ščitnik rezalnega priključka lahko povzroči poškodbe. Ne uporabljajte rezalnih priključkov, če pred tem niste namestili homologiranega rezalnega priključka.
- Pred zagonom izdelka pravilno pritrdite pokrov sklopke in gred.
- Pogonski disk in oporna prirobnica se morata pravilno zaskočiti v središčno odprtino rezalnega priključka. Če je rezalni priključek nepravilno nameščen, lahko povzroči poškodbe ali celo smrt.

- Na izdelek pritrdite oprtnik, ki preprečuje poškodbe uporabnika in drugih oseb.

## Varnostna navodila za uporabo



**OPOZORILO:** Pred uporabo izdelka preberite navodila v povezavi z opozorili v nadaljevanju.

- Pred uporabo izdelka morate poznati in razumeti razliko med obrezovanjem vej ter odstranjevanjem in obrezovanjem trave.
- Uporabljajte osebno zaščitno opremo; glejte *Osebna zaščitna oprema na strani 566*.
- Dolgotrajna izpostavljenost hrupu lahko povzroči trajno izgubo sluha. Vedno nosite homologirano zaščitno opremo za sluh.
- Kadar uporabljate zaščito za sluh, bodite pozorni na svarilne znake in glasne glasove. Ko se motor zaustavi, vedno odstranite zaščito za sluh.
- Izdelka nikoli ne uporabljajte, če je spremenjen ali poškodovan.
- Da bi preprečili tveganje električnega udara, se prepričajte, da sta pokrov svečke in vžigalni kabel nepoškodovana.
- Preglejte delovno območje in se prepričajte, da v njem ni oseb, živali ali predmetov, ki bi lahko negativno vplivali na varno obratovanje izdelka.
- Preglejte delovno območje in poskrbite, da se osebe ali živali ne dotikajo rezalnega priključka ali da jih ne morejo zadeni predmeti, ki so izvrženi iz rezalnega priključka.
- Izdelka na uporabljajte v situacijah ali na območjih, kjer v primeru nesreče ne morete dobiti pomoči.
- Izdelka ne uporabljajte brez odobrenega ščitnika rezalnega priključka.
- Poskrbite, da bodo med delom osebe ali živali na varni razdalji najmanj 15 m/50 čevljev. Preden se z izdelkom obrnete, vedno pogledajte nazaj. Izdelek nemudoma zaustavite, če oseba ali žival vstopi v varnostno območje 15 m/50 čevljev. Če v istem območju dela več kot ena oseba, ohranjajte varnostno razdaljo najmanj dvakratne višine drevesa in najmanj 15 m (50 ft).
- Preglejte delovno območje. Izognite se vsem nepritrjenim predmetom, na primer kamenju, razbitemu steklu, žebljem, jeklenim žicam in vrvm ki jih lahko rezalni priključek izvrže, ali pa se lahko navijejo okrog njega.
- Poskrbite, da se lahko varno gibate in da ste v varnem položaju. Preverite, ali so v okolici morebitne

ovire, kot so korenine, kamenje, veje in jarki. Bodite previdni pri delu na klančinah.



- Ne hodite predaleč. Vedno ohranjajte stabilen položaj nog in dobro ravnotežje.
- Izdelek pred zagonom postavite na ravno podlago najmanj 3 m (10 ft) od vira goriva in od območja, kjer dolivate gorivo. Poskrbite, da v bližini rezalnega priključka ni predmetov oziroma da se ga ne dotikajo.
- Če se rezalni priključek vrti pri hitrosti prostega teka, ga mora pooblaščen servisna delavnica nastaviti. Izdelka ne uporabljajte, dokler ni nastavljen oziroma dokler ni napaka odpravljena.
- Pazite na odbite predmete. Vedno uporabljajte odobreno zaščito oči in se ne približujte ščitniku rezalnega priključka. Kamenje in drugi majhni predmeti vam lahko priletijo v oči in povzročijo slepoto ali druge poškodbe.
- Izdelka nikoli ne odlagajte, če je motor vklopljen, razen če ga imate neprekinjeno pod nemotenim nadzorom.
- Ne odstranjujte odrezanega materiala in ne dovolite drugim osebam odstranjevati odrezan material, če je motor v pogonu ali se rezalna oprema vrti. Takšno ravnanje lahko povzroči resne poškodbe.
- Pred odstranjevanjem materiala, ki je navit okrog gredi noža ali ujet med ščitnikom rezalnega priključka in rezalnim priključkom, vedno zaustavite motor in se prepričajte, da se rezalni priključek ne vrti.
- Pri odstranjevanju materiala, ki se nabere okoli rezalne opreme, bodite previdni. Kotni prenos se med delovanjem močno segreje in lahko povzroči opekline.
- Izpušni plini iz motorja so vroči in lahko vsebujejo iskre. Nevarnost požara. Bodite previdni v bližini suhega in vnetljivega materiala.
- Izdelka nikoli ne uporabljajte v zaprtih prostorih ali tam, kjer ni ustreznega prezračevanja. Izpušni plini vsebujejo ogljikov monoksid, brezbarven, strupen in zelo nevaren plin.
- Zaustavite motor, preden se prestavite na novo delovno območje. Preden premaknete opremo, vedno namestite transportno zaščito.
- Pri osebah, ki imajo težave s krvnim obtokom, lahko pretirana izpostavljenost tresljajem povzroči

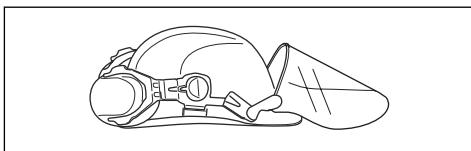
poškodbe ožilja ali živčevja. Če opazite simptome pretirane izpostavljenosti tresljajem, se posvetujte z zdravnikom. Ti simptomi zajemajo otrplost, izgubo občutenja, ščemenje, zbadanje, bolečino, zmanjšano moč in spremembe barve ali stanja kože. Običajno se pojavijo v prstih, na rokah ali na zapestjih. Nevarnost je večja ob delu pri nizkih temperaturah.

## Osebna zaščitna oprema

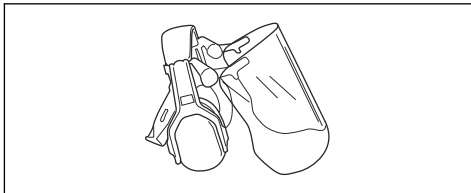


**OPOZORILO:** Pred uporabo izdelka preberite navodila v povezavi z opozorili v nadaljevanju.

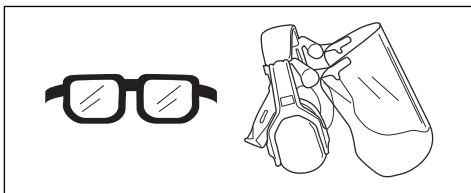
- Pri uporabi izdelka vedno uporabljajte odobreno osebno zaščitno opremo. Osebna zaščitna oprema ne more popolnoma preprečiti poškodb, vendar v primeru nesreče omili posledice. Prodajalec naj vam pomaga izbrati primerno opremo.
- Če so drevesa v delovnem območju višja od 2 m (6,5 ft), nosite čelado.



- Uporabljajte odobreno zaščito za sluh.



- Uporabljajte odobreno zaščito oči. Tudi če uporabljate vizir, morate vedno uporabljati tudi homologirana zaščitna očala. Homologirana zaščitna očala morajo biti skladna s standardom ANSI Z87.1 za ZDA ali s standardom EN 166 za države EU.



- Po potrebi uporabite rokavice, npr. kadar pritrjujete, pregledujete ali čistite rezalno opremo.



- Uporabljajte zaščitne škornje z ojačano konico in nedrsečim podplatom.



- Uporabljajte oblačila iz trpežnih materialov. Vedno uporabljajte trpežne dolge hlače in dolge rokave. Ne uporabljajte ohlapnih oblačil, ki se lahko zataknejo za vejice ali veje. Ne nosite nakita, kratkih hlač ali sandalov. Ne hodite bosí. Lase si varno spnite nad rameni.
- Opremo za prvo pomoč hranite v bližini.



## Varnostne naprave na izdelku

Za informacije o tem, kje lahko najdete varnostne naprave, glejte *Ščitnik rezalnega priključka na strani 568*.



**OPOZORILO:** Pred uporabo izdelka preberite navodila v povezavi z opozorili v nadaljevanju.

- Ne uporabljajte izdelka s poškodovanimi varnostnimi napravami. Redno preverjajte in vzdržujte varnostne naprave. Če so varnostne naprave poškodovane, se obrnite na najbližjo McCulloch pooblaščen servisno delavnico.
- Ne spreminjajte varnostnih naprav. Izdelka ne uporabljajte, če zaščitni pokrovi, varnostna stikala ali druge zaščitne naprave niso nameščene oz. so poškodovane.
- Za servisiranje in popravila na izdelku, posebej za varnostne naprave, je potrebno posebno usposabljanje. Če varnostne naprave ne izpolnjujejo vseh pogojev, opisanih v teh navodilih za uporabo, morate za pomoč prositi pooblaščen servisno delavnico. Jamčimo vam dostop do strokovnih popravil in servisa. Če vaš prodajalec ni pooblaščen

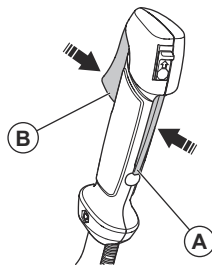
serviser, ga povprašajte, kje je naslednja najbližja pooblaščen servisna delavnica.

- Rezalnega priključka ne uporabljajte brez odobrenega in pravilno nameščenega ščitnika rezalnega priključka. Glejte *Tehnični podatki na strani 584*.

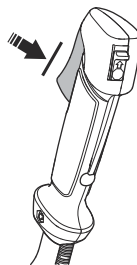
## Preverjanje delovanja zaklepa ročice plina

Zapora plina je zasnovana tako, da preprečuje neželeno uporabo ročice za plin.

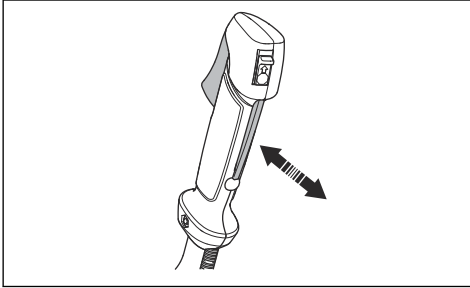
1. Pritisnite zaporo ročice za plin (A) in preverite, ali je ročica za plin sproščena (B). Ko sprostite ročico za plin, se ročica in zapora plina pomakneta nazaj v svoja izhodiščna položaja. Njuno gibanje uravnava dve povratni vzmeti. Ta sistem zagotavlja, da se uravnavanje plina samodejno prestavi v prosti tek.



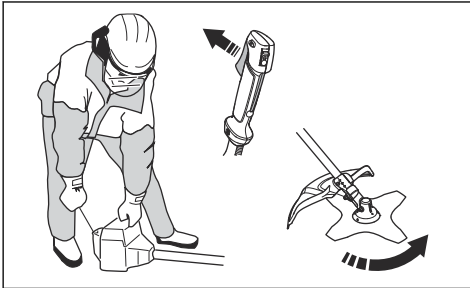
2. Prepričajte se, da je ročica plina zaklenjena v položaju prostega teka, ko je zapora plina sproščena.



3. Pritisnite zaklep ročice plina in ročico plina ter se prepričajte, da se po sprostitvi vrne v izhodiščni položaj.

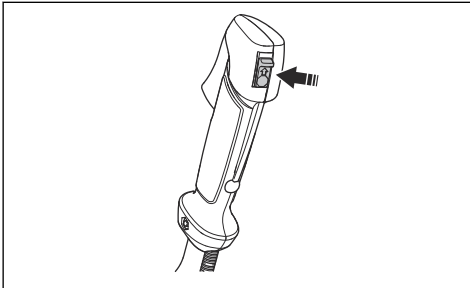


4. Preverite, ali se ročica plina in zapora plina premikata neovirano in njeni povratni vzmeti delujeta pravilno.
5. Zaženite izdelek (glejte navodila v poglavju *Zagon in zaustavitev na strani 577*) in pritisnite polni plin.
6. Izpustite ročico plina in se prepričajte, da se rezalni priključek ustavi in obmiruje. Nastavite uplinjalnik, če se rezalni priključek premika s plinom v prostem teku. Glejte navodila v poglavju *Prilagajanje hitrosti prostega teka na strani 582*.



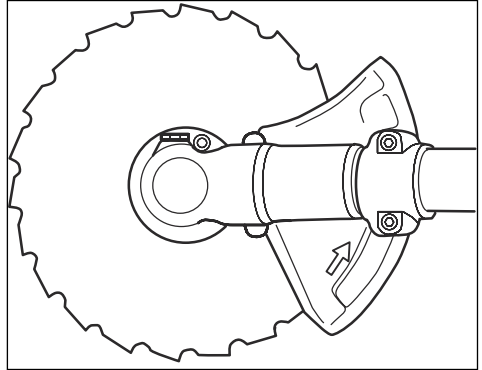
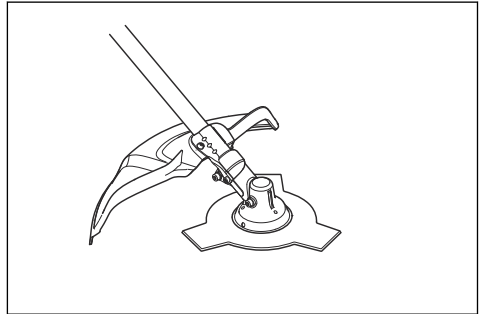
### Preverjanje izklopnega stikala

1. Zaženite motor.
2. Izklopno stikalo premaknite v položaj za izklop in se prepričajte, da se je motor izklopil.



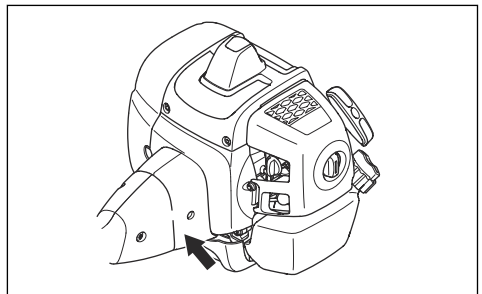
### Ščitnik rezalnega priključka

Ščitnik rezalnega priključka preprečuje izmet nepritrjenih predmetov v smeri uporabnika. Preverite, ali je ščitnik rezalnega priključka poškodovan. Če je poškodovan, ga zamenjajte. Uporabljajte samo odobrene ščitnike za rezalne priključke.



### Preverjanje sistema za dušenje tresljev

Sistem za dušenje tresljev zmanjša tresljaje v ročajih na minimum, kar olajša uporabo.



1. Zaustavite motor.
2. Vizualno preverite, da ni prisotnih deformacij in poškodb, na primer razpok.
3. Bodite pozorni, da elemente sistema za dušenje tresljev pravilno namestitte.



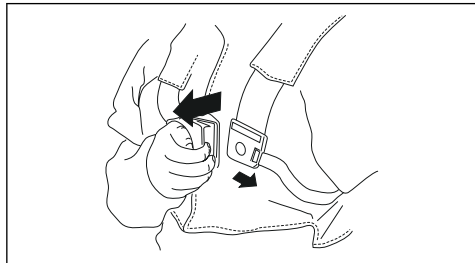
## Preverjanje mehanizma za hitro sprostitvev



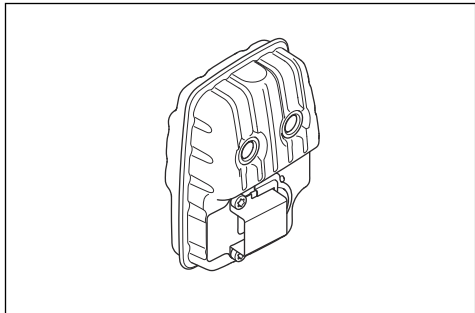
**OPOZORILO:** Ne uporabljajte oprtnika s pokvarjenim mehanizmom za hitro sprostitvev.

Mehanizem za hitro sprostitvev uporabniku omogoča, da izdelek v nujnem primeru hitro odstrani iz oprtnika.

1. Izklopite motor.
2. Prepričajte se, da ni vidnih poškodb, npr. razpok.
3. Sprostite in namestite mehanizem za hitro sprostitvev, da se prepričate, da pravilno deluje.



## Dušilnik



- Če je dušilnik poškodovan, motorja ne zaganjajte. Poškodovan dušilnik zviša nivo hrupa in poveča nevarnost požara. V bližini vedno imejte gasilni aparat.
- Redno pregledujte, ali ima izdelek nameščen dušilnik.
- Motorja ali dušilnika se ne dotikajte, ko je motor vklopljen. Motorja ali dušilnika se nekaj časa po zaustavitvi motorja ne dotikajte. Če se dotikate vročih površin, lahko pride do poškodb.
- Vroč dušilnik lahko povzroči požar. Bodite previdni, če izdelek uporabljate v bližini vnetljivih tekočin ali hlapov.
- Če je dušilnik poškodovan, se ne dotikajte njegovih notranjih delov. Ti deli lahko vsebujejo določene rakotvorne kemikalije.
- Če je izdelek opremljen z lovilec isker, ga čistite v rednih intervalih. 🧼

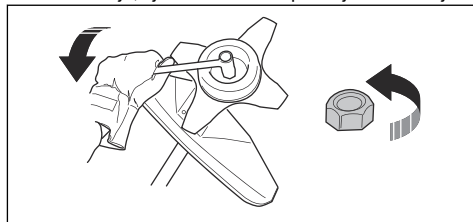
## Namestitvev in odstranitvev zaklepne matice



**OPOZORILO:** Zaustavite motor, uporabite zaščitne rokavice in bodite previdni pri ostrih robovih rezalnega priključka.

Z zaklepno matico pritrdite nekatere vrste rezalnih priključkov. Zaklepna matica ima levi navoj.

- Za namestitvev zaklepno matico privijte v smeri, nasprotni vrtenju rezalnega priključka.
- Zaklepno matico odstranite tako, da jo odvijete v smeri vrtenja rezalnega priključka.
- Za odvijanje in privijanje zaklepne matice potrebujete inbus ključ z dolgim držalom. Puščica na sliki kaže na območje, kjer lahko varno uporabljate inbus ključ.



**OPOZORILO:** Pri odvijanju ali privijanju zaklepne matice je nevarno, da se urežete ob rezilo. To opravilo izvajajte le pri nameščenem ščitniku rezila, ki ščiti vaše roke.

**Opomba:** Prepričajte se, da zaklepne matice ne morete odvit ali priviti z roko. Zamenjajte matico, če upor najlonske plasti pri vrtenju ni manjšan 1,5 Nm. Zaklepno matico je treba zamenjati po približno deseti namestitvi.

## Rezalna oprema

Izbira in vzdrževanje rezalne opreme, da:

- omogočite najboljše rezanje,
- podaljšate življenjsko dobo rezalne opreme.
- Upoštevajte navodila za preverjanje, vzdrževanje in servis dušilnika.
- Vedno uporabljajte ščitnik, priporočen za rezalno opremo. Glejte poglavje Tehnični podatki.



**OPOZORILO:** Uporabljajte samo priporočene rezalne priključke s ščitniki! Glejte poglavje Tehnični podatki. Za preverjanje pravilnega načina navijanja rezalne nitke in pravilnega premera kosilne nitke si oglejte navodila za rezalni priključek.



**OPOZORILO:** Poškodovan rezalni priključek povečuje nevarnost nesreč pri delu.



**OPOZORILO:** Ustavite motor vsakokrat, ko morate rokovali z rezalnim priključkom. Rezalni priključek se namreč vrti tudi po tem, ko ste izpustili ročico za plin. Pred delom na rezalnem priključku se prepričajte, da se je ta popolnoma zaustavil, nato pa odklopite pokrov svečke.

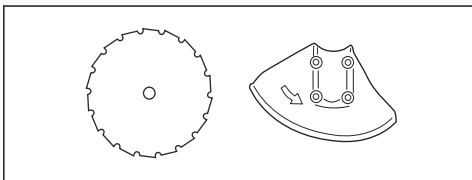
- Preverite, ali je rezalni priključek poškodovan ali razpokan. Poškodovan rezalni priključek je treba zamenjati.
- Uporabljajte samo priporočene rezalne priključke s ščitniki. Glejte *Tehnični podatki na strani 584*.

### Rezila

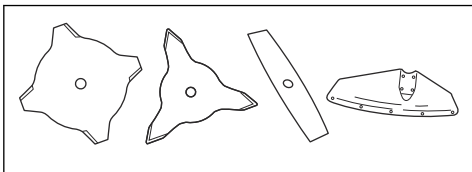
- Izdelek uporabljajte z odobrenim rezilom. Rezila ne uporabljajte, če niso ustrezno nameščeni vsi zahtevani deli. Namestitev mora biti pravilno izvedena in uporabljeni morajo biti ustrezni deli. Pri neustrezni namestitvi nož lahko odleti in hudo poškoduje upravljalca ali opazovalce.
- Med delom ali vzdrževanjem na nožu nosite zaščitne rokavice.
- Med uporabo izdelka z rezilom travo nosite zaščitno čelado.
- Rezilo lahko povzroči poškodbe, saj se še vedno vrti, tudi ko motor izklopite ali sprostite ročico plina. Pred izvajanjem morebitnih vzdrževalnih del se mora rezilo popolnoma zaustaviti.
- Pred začetkom del na rezalnem priključku izklopite motor. Rezalni priključek se mora popolnoma zaustaviti. Odklopite kabel z vžigalne svečke.
- Zobe rezila pravilno nabrusite.

### Rezalna oprema

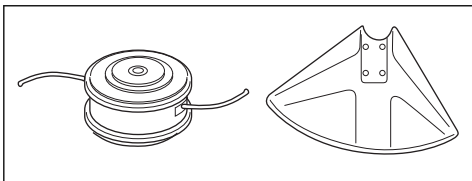
- List krožne žage uporabljajte za žaganje vlakninastih vrst lesa.



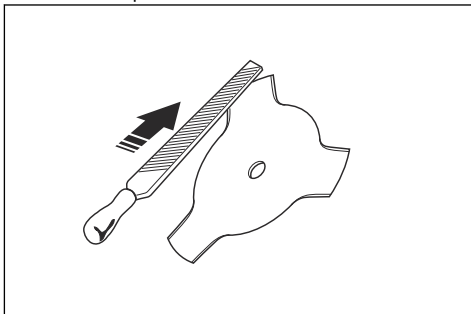
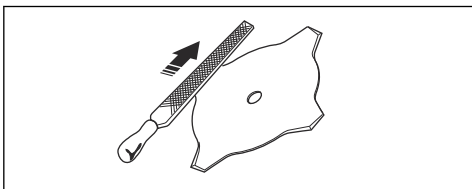
- Rezila in nože za travo uporabljajte za košenje goste trave.



- Za rezanje trave uporabljajte kosilno glavo.



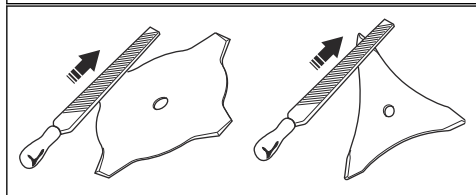
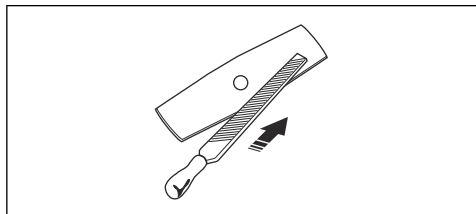
- Zaradi nepravilno nabrušenega ali poškodovanega rezila se poveča nevarnost nesreč. Zobe rezila pravilno nabrusite. Upoštevajte navodila *Brušenje rezil in nožev za travo na strani 571* in uporabljajte priporočeno šablono za brušenje.



- Ne uporabljajte poškodovanega rezalnega priključka.
- Pri transportu ali shranjevanju izdelka na rezilo namestite transportno zaščito.

## Brušenje rezil in nožev za travo

- Enakomerno nabrusite vse robove rezil in nožev, da bodo uravnoteženi. Uporabite plosko pilo z enim rezom.

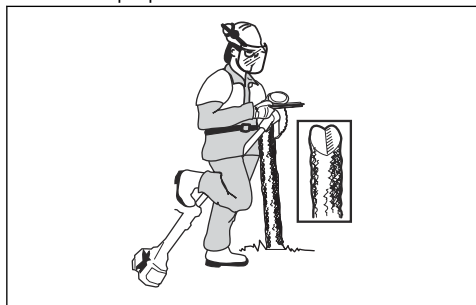


## Brušenje lista krožne žage

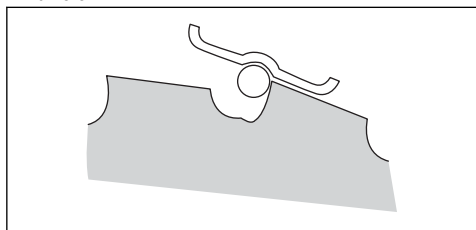


**OPOZORILO:** Izklopite motor.  
Uporabljajte zaščitne rokavice.

- Za pravilno brušenje rezila glejte navodila, ki so priložena rezilu.
- Prepričajte se, da imata izdelek in rezilo pri brušenju zadostno podporo.

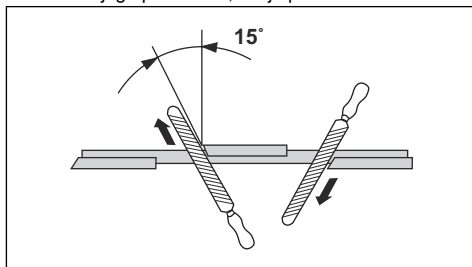


- Uporabite 5,5 mm (7/32 palca) okroglo pilo z držalom.



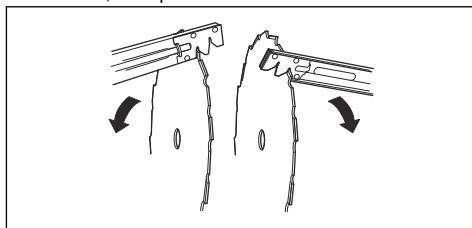
- Pilo držite pod kotom 15°.

- En zob lista krožne žage nabrusite na desno stran, naslednjega pa na levo, kot je prikazano na sliki.



**Opomba:** Če je rezilo močno obrabljeno, robove zob brusite s plosko pilo. Nato nadaljujte z brušenjem z okroglo pilo.

- Vse robove nabrusite enakomerno, da ohranite ravnovesje rezila.
- Rezilo s priporočenim orodjem za nastavitve nastavite na 1 mm (0,04 palca). Upoštevajte navodila, ki so priložena rezilu.

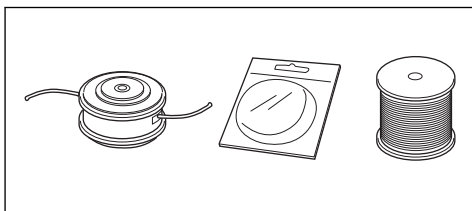


**OPOZORILO:** Rezilo, ki je poškodovano, vedno obvezno zavržite. Ukrivljenega ali zvitega rezila ne poskušajte poravnati in ponovno uporabiti.

## Kosilna glava



**OPOZORILO:** Kosilna nitka mora biti vedno trdna in enakomerno navita okrog koluta in tako preverite škodljive tresljaje.



- Uporabljajte samo priporočene kosilne glave in nitke.
- Uporabljajte samo priporočene rezalne priključke.
- Manjši stroji potrebujejo manjše kosilne glave in obratno.

- Pomembna je dolžina kosilne nitke. Daljša kosilna nitka zahteva večjo moč motorja kot krajša nitka z enakim premerom.
- Prepričajte se, da je rezalnik na ščitniku trimerja brezhiben. Uporablja se za rezanje rezalne nitke na pravilno dolžino.
- Če želite podaljšati življenjsko dobo kosilne nitke, jo lahko za nekaj dni namočite v vodo.
- Pred dolivanjem počasi odprite pokrovček posode za gorivo in previdno sprostite pritisk.
- Goriva ne dolivajte v zaprtih prostorih. Nezaposten pretok zraka lahko povzroči poškodbe ali smrt zaradi zadušitve ali zastrupitve z ogljikovim monoksidom.
- Skrbno privijte pokrovček posode za gorivo, da ne pride do požara.
- Preden izdelek vklopite, ga premaknite najmanj 3 m (10 čevljev) stran od mesta, kjer ste napolnili posodo za gorivo.
- V posodo za gorivo ne nalijte preveč goriva.
- Prepričajte se, da med premikanjem izdelka ali posode za gorivo ne more priti do tekanja.
- Izdelka ali posode za gorivo ne postavljajte v bližino odprtega ognja, isker ali indikatorskih lučk. Prepričajte se, da izdelek med skladiščenjem ni izpostavljen odprtemu ognju.
- Pri premikanju ali skladiščenju goriva uporabljajte samo odobrene posode.
- Pred dolgotrajnim skladiščenjem izpraznite posodo za gorivo. Pri odlaganju goriva ravnajte v skladu z lokalno zakonodajo.
- Pred dolgotrajnim skladiščenjem izdelek očistite.
- Pred skladiščenjem odstranite kabel vžigalne svečke, da preprečite nenameren zagon motorja.

## Varnost pri delu z gorivom

- Če so na izdelku ostanke goriva ali motornega olja, izdelka ne zaganjajte. Očistite ostanke goriva/olja in počakajte, da se izdelek posuši. Očistite ostanke goriva z izdelka.
- Če se z gorivom polijete po obleki, se nemudoma preoblecite.
- Pazite, da goriva ne polijete po telesu, saj lahko pride do poškodb. Če gorivo polijete po telesu, se očistite z milom in vodo.
- Če se je olje ali gorivo polilo po izdelku ali po vašem telesu, ne zaganjajte motorja.
- Če motor pušča, izdelka ne zaganjajte. Redno preverjajte, ali motor pušča.
- Z gorivom ravnajte previdno. Gorivo je vnetljivo, hlapi pa so eksplozivni, zato lahko pride do poškodb ali smrti.
- Ne vdihavajte hlapov goriva, saj lahko pride do poškodb. Zagotovite zadosten pretok zraka.
- V bližini goriva ali motorja ne kadite.
- Vročih predmetov ne postavljajte v bližino goriva ali motorja.
- Goriva ne dolivajte, ko je motor vklopljen.
- Pred dolivanjem goriva se prepričajte, da je motor ohlajen.

## Varnostna navodila za vzdrževanje

- Če ne morete prilagoditi hitrosti prostega teka, da bi se rezalni priključek ustavil, se obrnite na servisni center. Izdelka ne uporabljajte, dokler ni pravilno nastavljen in je napaka odpravljena.

## Montaža



**OPOZORILO:** Pred sestavljanjem izdelka preberite poglavje o varnosti.

### Uvod



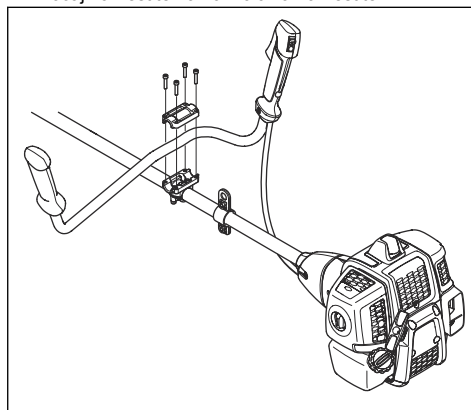
**OPOZORILO:** Preden sestavite izdelek morate prebrati in razumeti poglavje o varnosti.



**OPOZORILO:** Preden sestavite izdelek odklopite kabel vžigalne svečke.

## Namestititev ročaja

1. Ročaj namestite na konzolo za namestitev.



## Namestitev nožev za travo in kosilnih glav



**OPOZORILO:** Uporabljajte samo odobrene ščitnike za rezila. Glejte *Tehnični podatki na strani 584*. Poškodovan ščitnik lahko povzroči poškodbe.

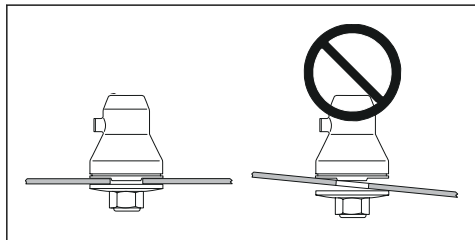


**OPOZORILO:** Če uporabljate izdelek z nožem za travo, najprej namestite pravi ročaj, ščitnik rezila in oprtnik.



**OPOZORILO:** Če nožev ne namestite pravilno, lahko povzročijo poškodbe.

1. Dvignjeni del pogonskega diska/oporne prirobnice se mora pravilno zaskočiti v središčno odprtino nožev.
2. Namestite nože.



## Namestitev ščitnika rezila, noža za travo in rezila za travo

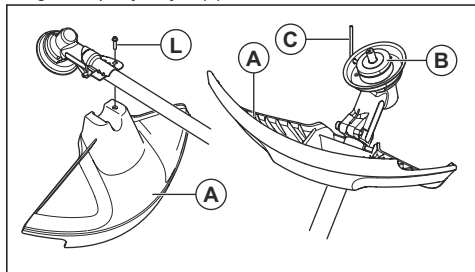


**POZOR:** Uporabljajte samo odobrene ščitnike za rezila. Glejte navodila za uporabo.



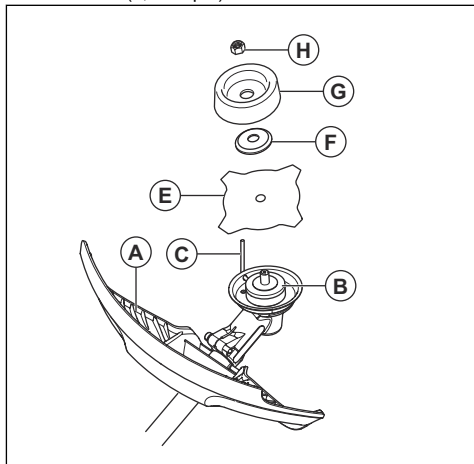
**POZOR:** Prepričajte se, da je podaljšek ščitnika odstranjen.

1. Ščitnik rezila/rezalnega priključka (A) namestite na gred in privijte vijak (L).



2. Namestite pogonski disk (B) na pogonsko gred.

3. Obračajte pogonsko gred, dokler se ena od odprtín v pogonskem disku ne poravnava z ustrežno odprtino v ohišju menjalnika.
4. Vstavite blokirni zatič (C) v odprtino, da zaklenete gred.
5. Nož (E), oporno prirobnico (F) in podporno skodelico (G) postavite na pogonsko gred.
6. Namestite matico (H). Ročaj ključa držite čim bližje ščitniku rezila. Privijte matico tako, da zavrtite ključ v nasprotni smeri vrtenja. Matico privijte z momentom 35–50 Nm (3,5–5 kpm).



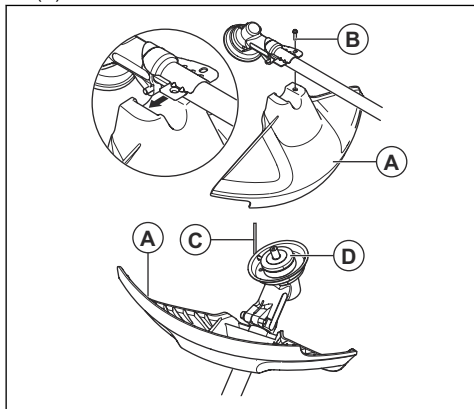
**Opomba:** Levi navoj.

## Pritrditev ščitnika trimerja in kosilne glave

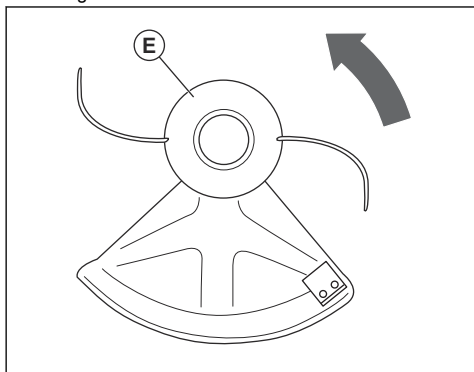
**Opomba:** Uporabiti morate ustrezen ščitnik rezalnega priključka za ustrezno kosilno glavo.

1. Namestite pravi ščitnik rezalnega priključka/kombinirani ščitnik (A) za kosilno glavo.

- Pravilen ščitnik rezalnega priključka/kombinirani ščitnik namestite okrog na gred in ga pritrdite z vijakom (B). Uporabite blokirni zatič ali ključ inbus (C).



- Blokirni zatič ali ključ inbus (C) vstavite v utor na glavi vijaka in zategnite.
- Namestite pogonski disk (D) na izhodno gred.
- Obračajte izhodno gred, dokler se ena od odprtín v pogonskem disku ne poravná z odprtino v ohišju menjalnika.
- Vstavite blokirni zatič ali ključ inbus (C) v odprtino, da zaklenete gred.
- Sestavite kosilno glavo/plastične nože (H). Kosilno glavo/plastične nože obrnite v nasprotni smeri urinega kazalca.



- Za odstranitev sledite tem navodilom v obratnem vrstnem redu.

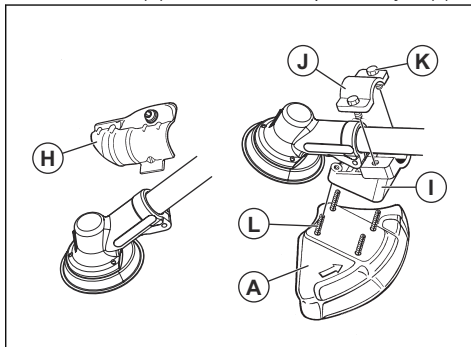
## Namestitev ščitnika rezila in lista krožne žage



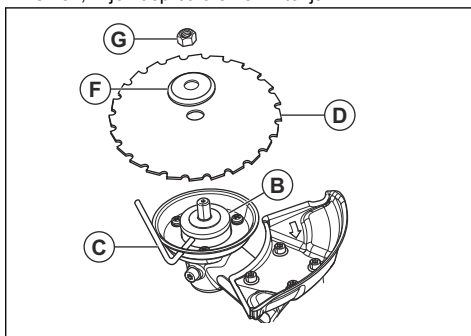
**POZOR:** Uporabljajte samo odobrene ščitnike za rezila. Glejte razdelek *Tehnični podatki* na strani 584.

- Pritrdilno ploščo (H) odstranite kot je prikazano.

- Adapter (I) in nosilec (J) namestite z dvema vijakoma (K).
- Ščitnik noža (A) namestite na adapter s 4 vijaki (L).

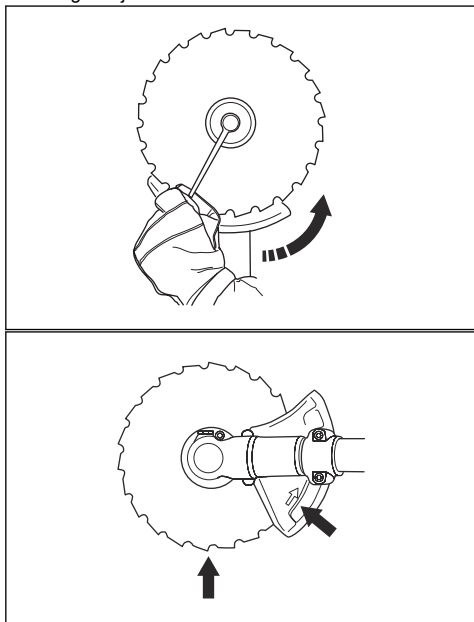


- Namestite pogonski disk (B) na pogonsko gred.
- Obračajte gred noža, dokler se ena od odprtín v pogonskem disku ne poravná z ustrezno odprtino v ohišju menjalnika.
- Vstavite blokirni zatič (C) v odprtino, da zaklenete gred.
- Rezió (D) in oporno prirobnico (F) namestite na izhodno gred.
- Namestite matico (G). Matico morate priviti z momentom 35–50 Nm (3,5–5 kpm). Uporabite inbus ključ v kompletu orodja. Gred ključa držite čim bližje ščitniku rezila. Da privijete matico, obrnite ključ v smeri, ki je nasprotna smeri vrtenja.



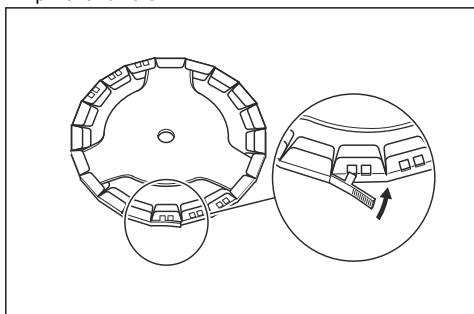
**Opomba:** Levi navoj.

9. Pri sproščanju ali zategovanju matice lista krožne žage obstaja nevarnost poškodb, ki jih povzročijo zobje lista krožne žage. Zato morate roko vedno držati tako, da jo ščiti ščitnik lista krožne žage. Obvezno uporabljajte ključ z dovolj dolgim nastavkom. Puščica na shemi kaže na mesto, na katerem je treba uporabiti inbus ključ za rahljanje ali zategovanje.



### Namestitev transportne zaščite

1. Transportno zaščito namestite na rezilo kot je prikazano na sliki.



### Nastavitev oprtnika

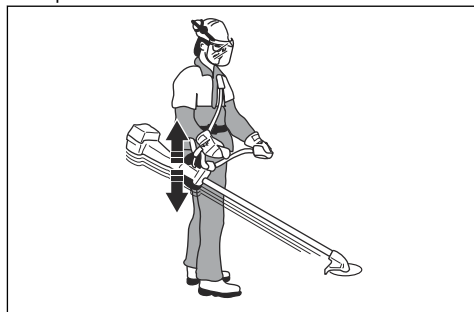


**OPOZORILO:** Izdelek mora vedno biti pravilno pritrjen na oprtnik. Izdelka sicer ne boste mogli varno nadzirati, zaradi česar lahko poškodujete sebe ali druge. Ne uporabljajte pokvarjenega oprtnika. Ne uporabljajte oprtnika, ki ima okvarjen mehanizem za hitro sprostitvev.

1. Namestite oprtnik.
2. Izdelek povežite s kablom.
3. Oprtnik prilagodite najboljšemu položaju za delo.
4. Nastavite stranske trakove, da se teža izdelka enakomerno razdeli na vaših ramenih.



5. Prilagodite oprtnik tako, da bo rezalni priključek vzporeden s tlemi.



6. Rezalni priključek naj rahlo sloni na tleh. Sponko oprtnika nato prilagodite, da pravilno uravnotežite izdelek.

**Opomba:** Če uporabljate nož za travo, mora biti približno 10 cm/4 in nad tlemi.

### Delovanje



**OPOZORILO:** Pred uporabo izdelka morate prebrati in razumeti poglavje o varnosti.

## Uvod



**OPOZORILO:** Pred uporabo izdelka morate prebrati in razumeti poglavje o varnosti.

## Gorivo

Ta izdelek ima dvotaktni motor.



**POZOR:** Če uporabite neustrezno vrsto goriva, lahko poškodujete motor. Uporabite mešanico bencina in olja za dvotaktne motorje.

## Predhodno zmešano gorivo

- Za najboljše delovanje in daljšo življenjsko dobo motorja uporabljajte vnaprej pripravljeno mešanico goriva z alkilatom McCulloch. V gorivu je manj škodljivih kemikalij v primerjavi z običajnim gorivom, kar zmanjšuje količino škodljivih izpušnih plinov. Po zgorevanju tega goriva je količina ostankov manjša, zaradi česar so deli motorja čistejši.

## Mešanje goriva

### Bencin

- Uporabljajte kakovosten neosvinčen bencin z največ 10-% vsebnostjo etanola.



**POZOR:** Ne uporabljajte bencina, ki ima oktansko število nižje od 90 RON/87 AKI. Uporaba nižjega oktanskega števila lahko povzroči klenkanje, kar povzroča poškodbe motorja.

### Olje za dvotaktne motorje

- Za čim boljše rezultate in zmogljivost uporabite olje za dvotaktne motorje McCulloch.
- Če olje za dvotaktne motorje McCulloch ni na voljo, lahko uporabite kakovostno olje za dvotaktne motorje z zračnim hlajenjem. Za izbiro ustreznega olja se obrnite na servisnega zastopnika.



**POZOR:** Ne uporabljajte olja za vodno hlajene izvenkrmne dvotaktne motorje. Ne uporabljajte olja za širitaktne motorje.

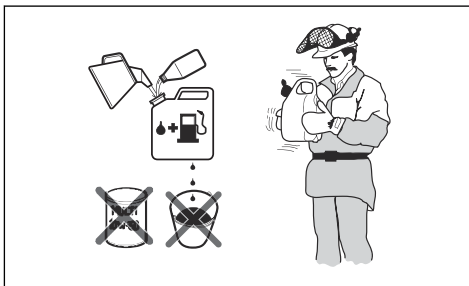
## Mešanica bencina in olja za dvotaktne motorje

Bencin, liter	Olje za dvotaktne motorje, liter
	2 % (50 : 1)

5	0,10
10	0,20
15	0,30
20	0,40
<b>Ameriška galona</b>	<b>Ameriška tekočinska unča</b>
1	2 ½
2 1/2	6 ½
5	12 ¾



**POZOR:** Pri mešanju manjših količin goriva lahko manjša odstopanja močnejše vplivajo na razmerje mešanice. Natančno izmerite količino olja in tako ustvarite pravilno mešanico.



1. Dolijte polovico bencina v čisto posodo za gorivo.
2. Dodajte celotno količino olja.
3. Pretresite mešanico goriva.
4. V posodo dodajte še preostalo količino bencina.
5. Temeljito pretresite mešanico goriva.



**POZOR:** Naenkrat ne pripravite mešanice goriva za več kot en mesec.

## Polnjenje posode za gorivo

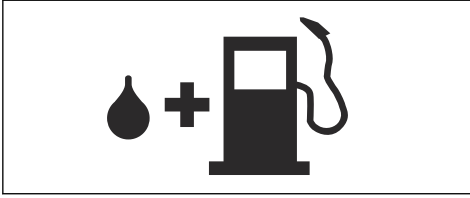


**OPOZORILO:** Za lastno varnost upoštevajte postopek v nadaljevanju.

1. Zaustavite motor in pustite, da se ohladi.



2. Očistite področje okrog pokrova posode za gorivo.



3. Pretresite posodo in tako poskrbite za ustrezno mešanje goriva.
4. Odstranite pokrovček posode za gorivo, da sprostite pritisk.
5. Napolnite posodo za gorivo.



**POZOR:** Prepričajte se, da v posodi za gorivo ni preveč goriva. Gorivo ima pri višjih temperaturah večjo prostornino.

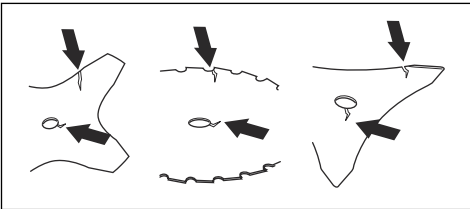
6. Zategnite pokrovček posode za gorivo.
7. Na izdelku in okoli njega očistite razlito gorivo.
8. Izdelek pred zagonom za vsaj 3 m (10 čevljev) odmaknite od mesta, kjer ste točili gorivo, in od vira goriva.

**Opomba:** Za mesto rezervoarja za gorivo na vašem izdelku glejte *Pregled izdelka na strani 563*.

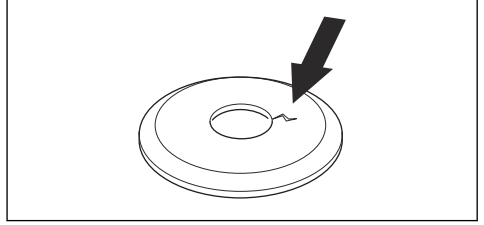
## Zagon in zaustavitev

### Pred uporabo izdelka

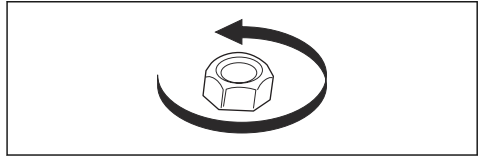
- Preglejte delovno območje, da se prepričate, da ste seznanjeni z vrsto terena, naklonom tal in morebitnimi ovirami, kot so kamenje, veje in jarki.
- Opravite generalni pregled izdelka.
- Opravite varnostne preglede, vzdrževanje in servisiranje, ki so navedeni v tem priročniku.
- Prepričajte se, da so vsi pokrovi, ščitniki, ročajji in rezalna oprema pravilno nameščeni in da niso poškodovani.
- Prepričajte se, da ni razpok na dnu lista krožne žage ali zobeh noža za travo ali ob središčni odprtini rezila. Če je rezilo poškodovano, ga zamenjajte.



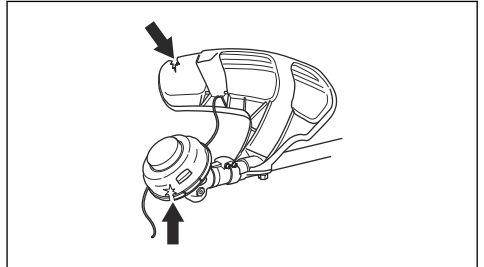
- Preverite, ali so na oporni prirobnici razpoke. Če je oporna prirobnica poškodovana, jo zamenjajte.



- Prepričajte se, da zaklepne matice ni mogoče odvitih z roko. Če jo lahko odvijete z roko, rezalnega priključka ne zaklepa zadostno in jo morate zamenjati.



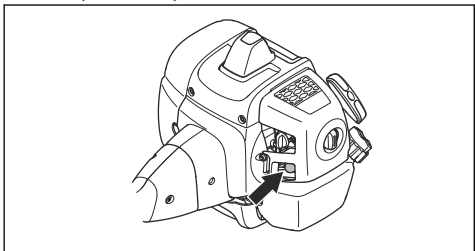
- Preverite, ali je ščitnik rezila poškodovan oziroma razpokan. Če je ščitnik rezila udarjen ali razpokan, ga zamenjajte.
- Preverite, ali sta kosilna glava in ščitnik rezalnega priključka poškodovana ali razpokana. Če sta kosilna glava in ščitnik rezalnega priključka udarjena ali razpokana, ju zamenjajte.



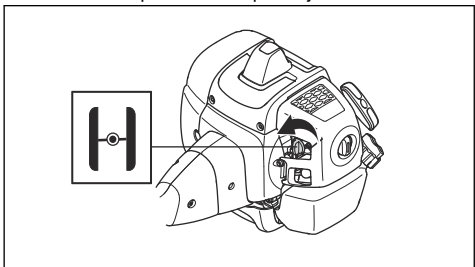
### Zagon motorja

1. Izdelek postavite na ravno in stabilno podlago. Rezalni priključek ne sme biti na tleh.

2. Membrano črpalke goriva pritiskajte toliko časa, da se napolni z gorivom. Membrane črpalke za gorivo ni treba povsem napolniti.

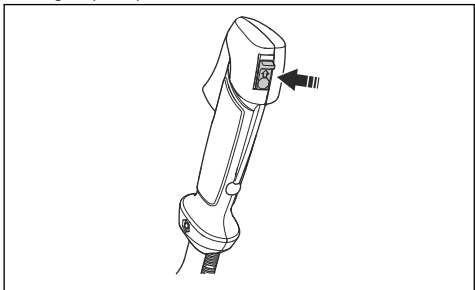


3. Ročico čoka premaknite v položaj brez čoka.

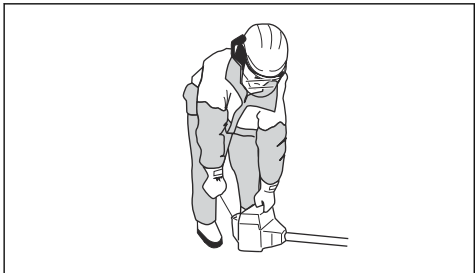


**OPOZORILO:** V primeru zagona motorja s čokom se začne rezalni priključek nemudoma vrteti.

4. Vklonno/izklonno stikalo premaknite v položaj za zagon (RUN).



5. Z levo roko pritisnite ohišje izdelka ob tla.



6. Z desno roko držite ročico zaganjalne vrvice.

7. Počasi povlecite zaganjalno vrstico z desno roko, dokler ne začutite upora.



**OPOZORILO:** Zaganjalne vrvice ne navijajte okoli zapestja.

8. Hitro in močno povlecite vrstico. Zaganjalno vrstico povlecite večkrat, dokler ne zaženete motorja.

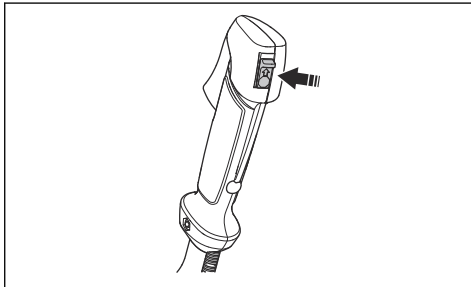


**POZOR:** Zaganjalne vrvice nikoli ne izvlecite do konca. Ko je vrstica popolnoma iztegnjena, ročice zaganjalnika ne izpustite. Izdelek se lahko tako poškoduje.

9. Ko motor zaženete, ponastavite čok.  
10. Po zagonu motorja postopoma pritiskajte ročico za plin.  
11. Prepričajte se, da motor deluje gladko počakajte, da se motor pred uporabo segreva 1-2 minuti.

### Izklop izdelka

- Za zaustavitev motorja pritisnite izklonno stikalo.



### Nevaren izmet materiala

- Sunek rezila je nenaden premik izdelka vstran, naprej ali nazaj. Do nevarnega izmeta materiala pride, kadar nož za travo trči ob predmet, ki ga ne more odrezati. Tveganje za sunek rezila se poveča na območjih s slabim pregledom nad rezanim materialom.
- Ko pride do sunka rezila, obstaja tveganje, da se izdelek ali uporabnik premakne iz svojega položaja. Premikajoči se nož lahko zadene opazovalca, zato obstaja nevarnost poškodb.
- Če je nož upognjen, razpokan, zlomljen ali poškodovan, ga zavržite.
- Uporabljajte oster nož. Če nož ni oster, se tveganje za sunek rezila poveča.

### Splošna delovna navodila



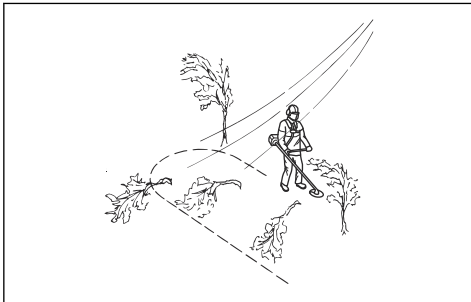
**OPOZORILO:** Bodite previdni, ko žagate drevo, ki je napeto. Pred ali po žaganju se lahko s sunkom vrne nazaj v svojo

normalni položaj in zadane vas ali izdelek ter tako povzroči poškodbe.

- Očistite odprt prazen prostor na enem koncu delovnega območja in z delom začnite tam.
- Premikajte se v urejenem vzorcu po celotnem delovnem območju.



- Izdelek popolnoma premaknite v levo in desno, da z vsakim obratom očistite širino 4–5 m.
- Očistite dolžino 75 m, preden se obrnete in greste nazaj. Ob premikanju naprej s seboj premikajte tudi posodo za gorivo.
- Premikajte se v smeri, v kateri ne prečkate jarkov in ovir več, kot je to potrebno.
- Premikajte se v smeri, v kateri odrezano rastlinje zaradi vetra pada na očiščeno območje.



- Premikajte se vzdolž pobočja in ne navzgor in navzdol.

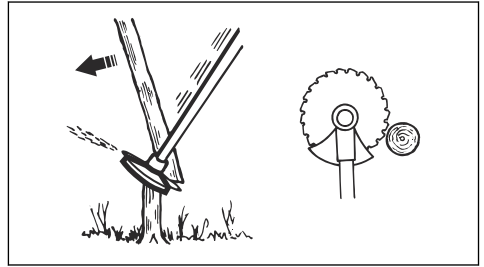
## Obrezovanje vej z listom krožne žage

### Podiranje drevesa na levo

Za podiranje na levo dno drevesa potisnite na desno.

1. Dodajte polni plin.
2. List krožne žage postavite ob drevo, kot je prikazano na sliki.

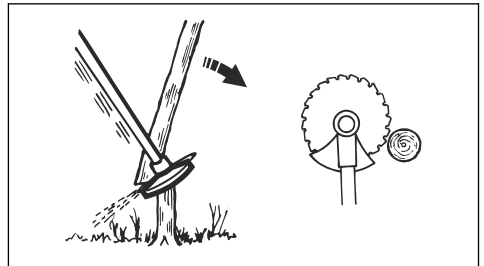
3. Nagnite list krožne žage in ga s silo diagonalno potisnite navzdol v desno. Hkrati potiskajte drevo s ščitnikom rezila.



### Podiranje drevesa na desno

Za podiranje na desno dno drevesa potisnite na levo.

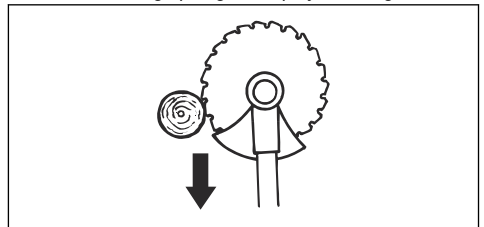
1. Dodajte polni plin.
2. List krožne žage postavite ob drevo, kot je prikazano na sliki.
3. Nagnite list krožne žage in ga s silo diagonalno potisnite navzgor in v desno. Hkrati potiskajte drevo s ščitnikom rezila.



### Podiranje drevesa naprej

Za podiranje naprej dno drevesa potisnite nazaj.

1. Dodajte polni plin.
2. List krožne žage postavite ob drevo, kot je prikazano na sliki.
3. List krožne žage potegnite naprej s hitrim gibom.

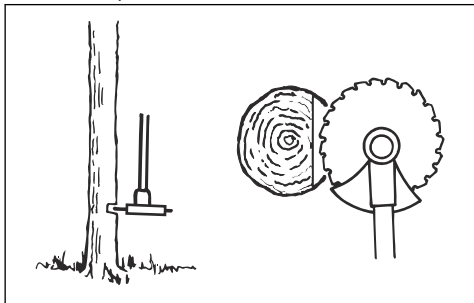


### Podiranje velikih dreves

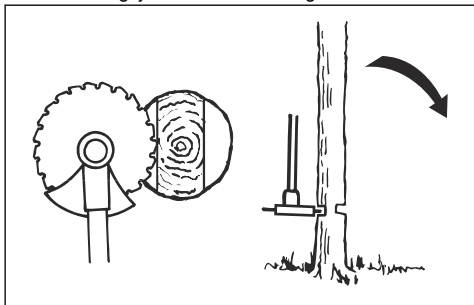
Velika drevesa je treba žagati z 2 strani.

1. Preučite, v katero smer bo drevo padlo.
2. Dodajte polni plin.

3. Najprej zažagajte v drevo na strani drevesa, na katero bo padlo.



4. Nato zažagajte skozi drevo z druge strani.



**POZOR:** Če se list krožne žage blokira, izdelka ne povlecite z nenadnim gibom. Takšno ravnanje lahko povzroči škodo na listu krožne žage, kotnem prenosu, gredi ali ročajju. Izpustite ročaje, držite gred z 2 rokama in previdno potegnite izdelek.

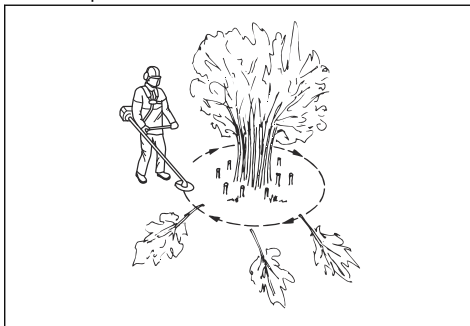
**Opomba:** Za podiranje majhnih dreves uporabite več pritiska pri žaganju. Za podiranje velikih dreves uporabite manj pritiska pri žaganju.

## Žaganje grmičevja z listom krožne žage

Za podiranje na levo dno drevesa potisnite na desno.

- Požagajte tanka drevesa in grmičevje.
- Izdelek premakajte od ene strani na drugo.
- Odžagajte več dreves z enim gibom.

- Za skupine tankih dreves:



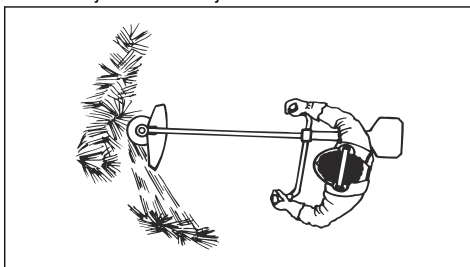
- Zunanja drevesa odžagajte visoko.
- Zunanja drevesa odžagajte na pravilno visino.
- Žagajte od središča. Če nimate dostopa do središča, zunanja drevesa odžagajte visoko in pustite, da padejo. Tako zmanjšate nevarnost, da bi se list krožne žage zablokirala.

## Odstranjevanje trave z nožem za travo



**POZOR:** Rezil in nožev za travo ne uporabljajte na lesu. Rezila in nože za travo uporabljajte samo za dolgo ali težko travo.

- Izdelek premakajte od ene strani na drugo.
- Pri obrezovanju začnite gib z desne proti levi. Pri ponovnem rezu izdelek premaknite proti desni.
- Obrežite z levo stranjo noža za travo.



- Nož za travo pri obrezovanju nagnite na levo, da bo trava padala v liniji. Na ta način je zbiranje trave lažje.
- Ohranajte stabilen položaj, pri čemer imejte noge nekoliko narazen.
- Po vsakem desnem gibu se premaknite naprej in poskrbite, da je vaš položaj spet stabilen, preden ponovno nadaljujete z obrezovanjem.
- Podporno skledo rahlo pritiskajte ob tla in tako poskrbite, da nož za travo ne trči ob tla.
- Sledite tem navodilom in tako zmanjšajte nevarnost, da bi se odrezan material navil okrog noža za travo:
  - Dodajte polni plin.

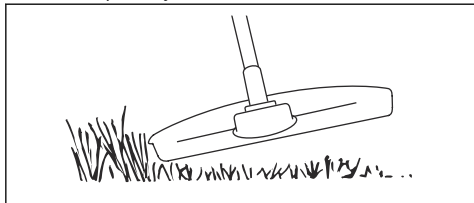
b) Noža za travo ne premikajte skozi odrezan material, ko izdelek premikate od leve proti desni.

- Preden zberete odrezan material, zaustavite motor in izdelek odstranite iz oprtnika. Izdelek odložite na tla.

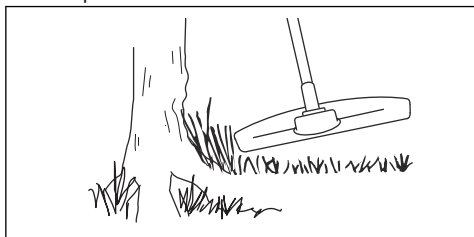
## Prerezovanje trave s kosilno glavo

### Obrezovanje trave

1. Kosilno glavo držite tik nad tlemi pod kotom. Kosilne nitke ne potiskajte v travo.



2. Skrajšajte kosilno nitko za 10–12 cm/4–4,75 in.
3. Znižajte št. vrt. motorja, da ne poškodujete rastlin.
4. Ko obrezujete travo v bližini predmetov, uporabljajte 80 % plina.



### Odstranjevanje trave

1. Kosilna glava mora biti vedno nad tlemi.
2. Nagnite kosilno glavo.
3. S koncem kosilne nitke pokosite okoli predmetov v delovnem območju.

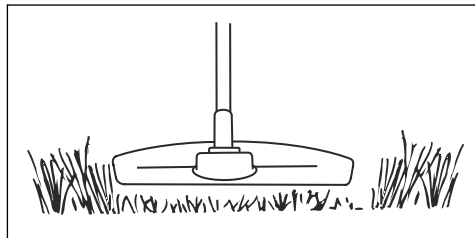


**POZOR:** Pokosite travo. Zaradi stika kosilne nitke s predmeti se poveča njena obraba.

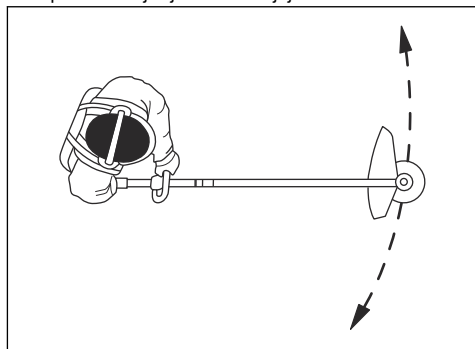
4. Pri košnji in odstranjevanju rastlinja naj je število vrtljajev pri 80 %. S tem se zmanjša obraba kosilne glave in kosilne nitke.

## Košenje trave

1. Pri košnji trave naj bo kosilna nitka vedno vzporedna s tlemi.



2. Kosilne glave ne potiskajte ob tla. Izdelek se lahko tako poškoduje.
3. Pri košnji izdelek premikajte iz ene strani na drugo. Uporabite najvišje število vrtljajev.



### Pometanje trave

Zračni tok iz vrteče se kosilne nitke je mogoče uporabiti za odstranjevanje trave z določenega območja.

1. Kosilno glavo in njeno nitko držite vzporedno s tlemi, in sicer nad tlemi.
2. Dodajte polni plin.
3. Kosilno glavo premikajte od ene strani na drugo in tako pometite travo.



**OPOZORILO:** Očistite pokrov kosilne glave vsakič, ko nameščate novo kosilno nitko, in tako preprečite neravnovesje in vibracije pri ročajih. Preglejte tudi druge dele kosilne glave in jih po potrebi očistite.

## Vzdrževanje

### Uvod



**OPOZORILO:** Pred izvajanjem vzdrževalnih del na izdelku morate prebrati in razumeti poglavje o varnosti.

## Urnik vzdrževanja

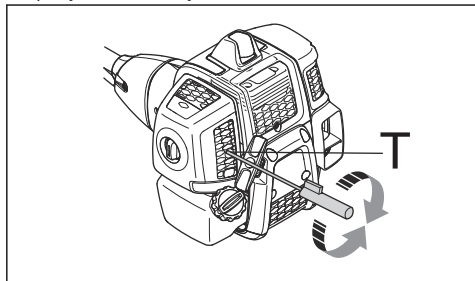
Vzdrževanje	Dnevno	Teden- sko	Mesečno
Očistite zunanjo površino.	X		
Preglejte, ali je oprtnik morda poškodovan.	X		
Preverite zaklep ročice plina in ročico plina. Glejte <i>Preverjanje delovanja zaklepa ročice plina na strani 567</i> .	X		
Preverite, ali sta ročica in ročaj poškodovana in se prepričajte, da sta pravilno nameščena.	X		
Preverite izklopno stikalo. Glejte <i>Preverjanje izklopnega stikala na strani 568</i> .	X		
Prepričajte se, da se rezalni priključek ne vrti s hitrostjo prostega teka.	X		
Očistite zračni filter. Če opazite poškodbe, zamenjajte.	X		
Preverite, ali je ščitnik rezalnega priključka poškodovan ali razpokan.	X		
Prepričajte se, da je list krožne žage ali nož za travo pravilno nameščen. Prepričajte se, da je list krožne žage ali nož za travo oster in nepoškodovan.	X		
Preverite, ali so na kosilni glavi poškodbe ali razpoke. Če opazite poškodbe, zamenjajte.	X		
Pri rezalnih priključkih z zaklepno matico do konca zategnite zaklepno matico.	X		
Preverite, ali je transportna zaščita poškodovana in se prepričajte, da jo je mogoče pravilno namestiti.	X		
Privijte matice in vijake.	X		
Preglejte, ali iz motorja, posode ali cevi za gorivo izteka gorivo.	X		
Preverite, ali sta zaganjalnik in zaganjalna vrvica poškodovana.		X	
Preglejte svečko. Glejte <i>Pregled svečke na strani 584</i> . Vžigalno svečko po potrebi zamenjajte. Prepričajte se, da je svečka opremljena z zaščito proti motnjam.		X	
Očistite zunanjo površino uplinjalnika in območje okrog njega.		X	
Prepričajte se, da je kotni prenos pravilno napolnjen z mastjo. Glejte <i>Kotni prenos na strani 584</i> .		X	
Preverite, ali je filter goriva onesnažen ter ali ima cev goriva razpoke ali druge okvare. Po potrebi jih zamenjajte.			X
Preverite vse kable in povezave.			X
Zamenjajte svečko. Prepričajte se, da je svečka opremljena z zaščito proti motnjam.			X

## Prilaganje hitrosti prostega teka

Igli za visoko in nizko hitrost sta fiksno nastavljeni in ju ni mogoče prestavljati. Nastavljati je mogoče samo prosti tek.

1. Pred nastavljanjem prostega teka zaženite motor in se prepričajte, da je topel.

2. Vijak za nastavitve hitrosti prostega teka najprej obračajte v smeri urinega kazalca, dokler se priključki ne začnejo obračati.



3. Vijak za hitrost prostega teka obračajte v nasprotni urinega kazalca, dokler se rezalni priključek ne ustavi.
4. Hitrost prostega teka mora biti nižja od hitrosti, pri kateri se rezalni priključek začne vrteti. Hitrost prostega teka je nastavljena pravilno, ko motor deluje enakomerno v vsakem položaju.

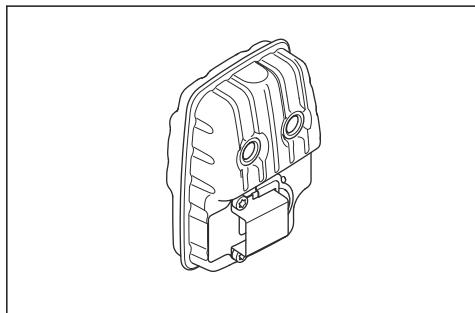
## Vzdrževanje dušilnika

Dušilnik znižuje nivo hrupa in usmerja izpušne pline stran od uporabnika.

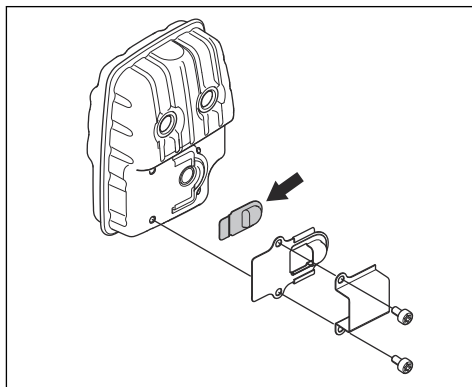


**OPOZORILO:** Dušilniki s katalizatorji se med uporabo močno segrejejo in ostajajo vroči še nekaj časa po izklopu izdelka. To velja tudi, kadar teče motor v prostem teku. Če se dotaknete izdelka, lahko pride do opeklin kože. Zavedajte se nevarnosti požara.

1. Izdelek zaustavite in počakajte, da se ohladi.
2. Odstranite dušilnik.



3. Odstranite vijak s katerim je pritrjena mrežica lovilnika isker.



4. Če je mrežica lovilnika isker zamašena, jo očistite, če je poškodovana, pa jo zamenjajte.



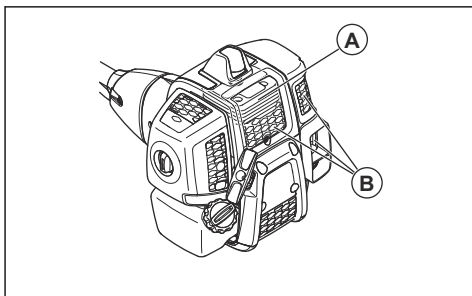
**POZOR:** Poškodovano mrežico lovilnika isker je treba zamenjati. Izdelka ne uporabljajte, če mrežica lovilnika isker ni nameščena ali je ta poškodovana.



**POZOR:** Če je mrežica lovilnika isker pogosto zamašena, je to lahko znak, da je delovanje katalizatorja poslabšano. Dušilnik naj pregleda servisni zastopnik. Zamašena mrežica lovilnika isker povzroča pregrevanje, kar povzroči poškodbe valja in bata.

## Čiščenje/vzdrževanje hladilnega sistema

Ta izdelek ima hladilni sistem. Umazan ali zamašen hladilni sistem povzroča pregrevanje izdelka, zaradi česar pride do poškodb bata in valja. Preverite in s krtačko očistite hladilni sistem enkrat tedensko ali pogosteje v zahtevnih pogojih. Hladilni sistem sestavljajo hladilna rebra na valju (A) in dovod zraka (B).



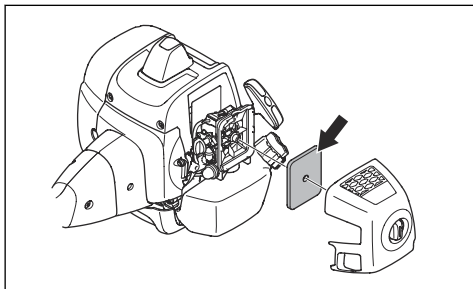
## Zračni filter

Umazan zračni filter lahko povzroči okvaro uplinjalnika, težave pri zagonu, izgubo moči motorja in obrabo delov motorja. Prav tako povzroči, da motor porabi več goriva, kot je potrebno. Filter čistite na vsakih 8 ur ali pogosteje, če izdelek uporabljate v prašnem okolju.

**Opomba:** Po tem, ko je bil zračni filter očiščen ali zamenjan, je morda treba prilagoditi motor. Glejte *Prilagajanje hitrosti prostega teka na strani 582*.

## Čiščenje in pregled zračnega filtra

1. Odstranite zračni filter.



2. Očistite zračni filter iz filca s stisnjenim zrakom.

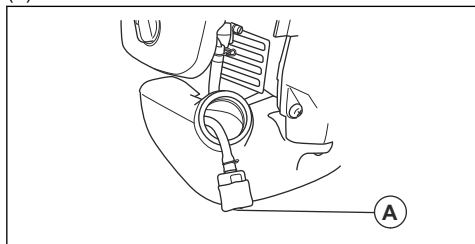


**POZOR:** Če zračnih filtrov iz filca ni mogoče v celoti očistiti, jih zamenjajte. Poškodovane zračne filtre iz filca obvezno zamenjajte.

3. Očistite notranjo površino pokrova zračnega filtra. Uporabite stisnjen zrak ali krtačko.

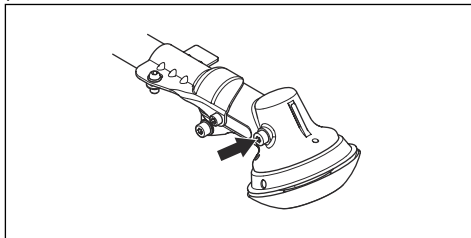
## Filter goriva

Če motorju zmanjka goriva, preverite ali sta zračna odprtina v pokrovčku rezervoarja za gorivo in filter goriva (A) čista.



## Kotni prenos

Kotni prenos je v tovarni napolnjen s pravilno količino masti. Kljub temu morate pred uporabo preveriti, ali je kotni prenos z mastjo napolnjen do 3/4. Uporabite posebno mast McCulloch.



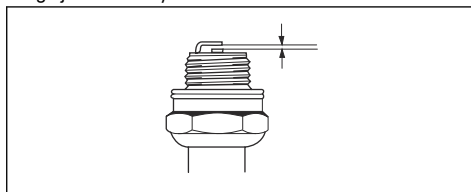
Masti v kotnem prenosu ni potrebno menjati, razen če ta ni popravljen.

## Pregled svečke



**POZOR:** Vedno uporabljajte priporočeno vrsto svečke. Zaradi neustrezne vrste vžigalne svečke se izdelek lahko poškoduje.

- Če se moč motorja zmanjša, motorja ni mogoče enostavno zagnati ali ta ne deluje ustrezno v prostem teku, preglejte vžigalno svečko.
- Tveganje za pojav oblog na elektrodah vžigalne svečke lahko zmanjšate tako, da upoštevate ta navodila:
  - a) Hitrost prostega teka mora biti pravilno nastavljena.
  - b) Mešanica goriva mora biti ustrezna.
  - c) Zračni filter mora biti čist.
- Če je vžigalna svečka umazana, jo očistite in zagotovite, da je razmak med elektrodama ustrezen; glejte *Tehnični podatki na strani 584*.



- Vžigalno svečko po potrebi zamenjajte.

## Tehnični podatki

	B40 B Elite	B40 BT Elite
Motor		



	<b>B40 B Elite</b>	<b>B40 BT Elite</b>
Gibna prostornina valja v cm <sup>3</sup>	40,1	40,1
Premer valja, Ø mm	40,5	40,5
Dolžina hoda valja, mm	31,1	31,1
Število vrtljajev prostega teka, vrt/min	3000	3000
Priporočeno najvišje število vrtljajev, vrt/min	12000	12000
Hitrost pogonske gredi, vrt/min	8220	8220
Najv. moč motorja, v skladu z ISO 8893, kW pri vrt/min	1,5 pri 9000	1,5 pri 9000
<b>Vžigalni sistem</b>		
Svečka	NGK CMR7H-10	NGK CMR7H-10
Razmak med elektrodama, mm	0,9–1,0	0,9–1,0
<b>Sistem za gorivo in mazanje</b>		
Proizvajalec/vrsta uplinjalnika	Ruixing H225D	Ruixing H225D
Prostornina posode za gorivo v l/cm <sup>3</sup>	1/1000	1/1000
<b>Teža</b>		
Brez goriva, rezilnega priključka in ščitnika, kg	7,3	7,4
<b>Emisije hrupa<sup>64</sup></b>		
Raven zvočne moči, izmerjena v dB (A)	112	112
Raven zvočne moči, zajamčena L <sub>WA</sub> dB(A)	118	118
<b>Nivoji hrupa<sup>65</sup></b>		
Ekvivalentna raven zvočnega tlaka pri uporabnikovem ušesu, izmerjena v skladu s standardoma EN ISO 11806 in ISO 22868, dB (A), najniž./najv.:		
Opremljeno s kosilno glavo (originalno)	100	100
Opremljeno z nožem za travo (originalnim)	99	99
Opremljeno z listom krožne žage (originalnim)	–	99
<b>Ravni vibracij<sup>66</sup></b>		
Ekvivalentne ravni vibracij (a <sub>hV,eq</sub> ) pri ročajih, izmerjene v skladu z EN ISO 11806 in ISO 22867, m/s <sup>2</sup>		
Opremljeno s kosilno glavo (originalno), levo/desno	3,4/4,4	3,4/4,4
Opremljeno z nožem za travo (originalnim), levo/desno	5,2/5,1	5,2/5,1

<sup>64</sup> Emisije hrupa v okolje, merjene kot moč zvoka (L<sub>WA</sub>), v skladu z direktivo ES 2000/14/ES. Navedena raven zvočne moči naprave je bila izmerjena z originalnim rezalnim priključkom, ki dosega najvišjo raven. Razlika med zajamčeno in izmerjeno ravno zvočne moči je v tem, da zajamčena raven zvočne moči, v skladu z Direktivo 2000/14/ES, vključuje tudi razpršitev izmerjenih vrednosti in razlike med različnimi napravami istega modela.

<sup>65</sup> Zabeleženi podatki za ekvivalentno raven zvočnega tlaka imajo tipično statistično razpršitev (standardni odklon) 1 dB(A).

<sup>66</sup> Zabeleženi podatki za raven vibracij imajo tipično statistično razpršitev (standardni odklon) 1 m/s<sup>2</sup>.

	<b>B40 B Elite</b>	<b>B40 BT Elite</b>
Opremljeno z listom krožne žage (originalnim), levo/ desno	–	4,5/4,2

<b>B40 B Elite, B40 BT Elite</b>		
<b>Odobren pribor</b>	<b>Vrsta</b>	<b>Ščitnik rezalnega priključka, št. izdelka</b>
Središčna odprtina v nožih/rezilih, premer 25,4 mm		
Navoj pogonske gredi M12		
Nož/rezilo za travo	Nož za travo 255-4 1" (premer 255, 4 zobje)	580 30 50-01
	Nož za travo 255-3 (premer 255, 3 zobje)	580 30 50-01
List krožne žage	List krožne žage 200-22 (premer 200, 22 zob)	581 33 84-01
Kosilna glava	P35	580 30 50-01
Podporna skleda	Fiksirana	–

---

# Izjava ES o skladnosti

---

## Izjava ES o skladnosti

Husqvarna ABSE-561 82 Huskvarna, Švedska, tel.: +46-36-146500, izjavlja, da so trimerji **McCulloch B40 B Elite** s serijskimi številkami od leta 2021 dalje (leto izdelave, ki mu sledi serijska številka, je jasno navedeno na tipski plošči), skladne z zahtevami DIREKTIVE SVETA:

- Direktive **2006/42/ES** z dne 17. maja 2006 o strojih in
- z dne 26. februarja 2014 o elektromagnetni združljivosti **2014/30/EU**
- **2000/14/ES** z dne 8. maja 2000 "o emisijah hrupa v okolje". Ocena skladnosti z Dodatkom V. Za informacije o emisijah hrupa glejte poglavje Tehnični podatki.
- z dne 8. junija 2011 o omejevanju uporabe nekaterih nevarnih snovi v električni in elektronski opremi **2011/65/EU**.

Uporabljeni so naslednji standardi:

**EN ISO 12100:2010, CISPR 12:2007+A1:2009, EN ISO 14982:2009, EN ISO 11806-1:2011, EN IEC 63000:2018**

RISE SMP Svensk Maskinprovning AB, Box 7035, SE-750 07 Uppsala, Sweden je v imenu Husqvarna AB prostovoljno opravil tipski pregled. Številke certifikatov: **SEC/12/2339** - B40 B Elite, B40 BT Elite

Družba RISE SMP Svensk Maskinprovning AB je tudi preverila skladnost z Dodatkom V direktive sveta 2000/14/ES.

Huskvarna, 2020-08-25



Pär Martinsson, Vodja razvoja (pooblaščen zastopnik družbe Husqvarna AB in odgovorna oseba za tehnično dokumentacijo)

---

## Sadržaj

---

Uvod.....	588	Održavanje.....	608
Sigurnost.....	591	Tehnički podaci.....	611
Sastavljanje.....	598	Izjava EK o usklađenosti.....	614
Rukovanje.....	601	.....	0

---

## Uvod

---

### Opis proizvoda

Motorna kosa s motorom s unutrašnjim sagorijevanjem.

Konstantno se radi na povećanju vaše sigurnosti i efikasnosti za vrijeme rada. Više informacija potražite kod svog zastupnika servisa.

### Namjena

Koristite proizvod sa sječivom za rezanje, sječivom za travu ili trimerom za podrezivanje različitih vrsta rastinja.

Nemojte koristiti proizvod za druge stvari osim za šišanje trave, uklanjanje trave ili rastinja. Koristite sječivo za rezanje kako biste rezali vlaknasto drveće. Koristite oštricu za travu ili trimer za šišanje trave.

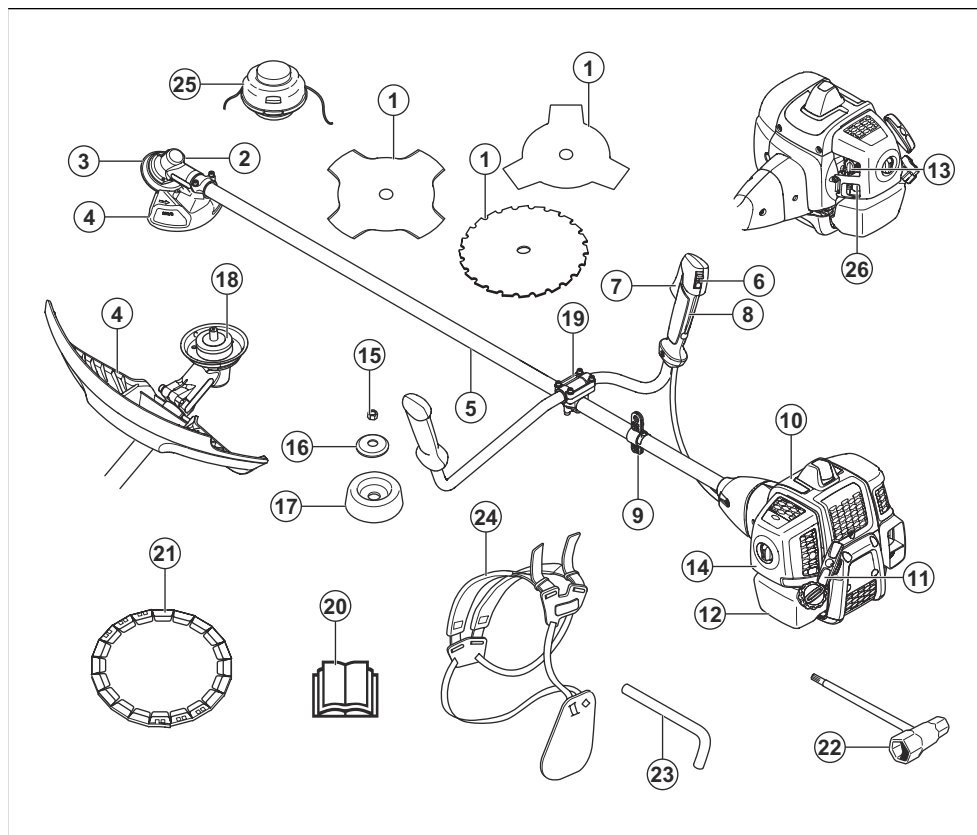
---

**Napomena:** Upotreba može podlijegati državnim ili lokalnim propisima. Poštujte važeće propise.

---

Koristite proizvod isključivo s priborom kojeg je odobrio proizvođač. Pogledajte *Tehnički podaci na strani 611*.

## Pregled proizvoda



- |  |  |
|--|--|
| <ul style="list-style-type: none"> <li>1. Nož (ne odnosi se na sva tržišta)</li> <li>2. Zatvarač za doziranje maziva, konusni pogon</li> <li>3. Konusni pogon</li> <li>4. Štitnik dodatka za rezanje</li> <li>5. Vratilo</li> <li>6. Prekidač za zaustavljanje</li> <li>7. Poluga gasa</li> <li>8. Blokada gasa</li> <li>9. Prsten ovjesa</li> <li>10. Poklopac cilindra</li> <li>11. Ručka konopa za paljenje</li> <li>12. Rezervoar za gorivo</li> <li>13. Ručica za čok</li> <li>14. Poklopac filtera za zrak</li> <li>15. Matica</li> <li>16. Potporni obrub</li> <li>17. Prsten ležaja</li> <li>18. Pogonska ploča</li> </ul> | <ul style="list-style-type: none"> <li>19. Spojnica upravljača</li> <li>20. Priručnik za rad</li> <li>21. Štitnik za transport (ne odnosi se na sva tržišta)</li> <li>22. Inbus ključ s umecima</li> <li>23. Igla za zabavljivanje (za proizvode bez zvjezdastog ključa)</li> <li>24. Pojas</li> <li>25. Trimi glava</li> <li>26. Pumpica za istiskivanje zraka</li> </ul> |
|--|--|

### Simboli na proizvodu



**UPOZORENJE!** Ovaj proizvod je opasan. Ukoliko se proizvod ne koristi pažljivo i na pravilan način, može doći do povrede ili smrti rukovaoca ili osobe koja stoji u blizini. Da biste spriječili povrede rukovaoca ili osoba koje stoje u blizini, pročitajte i poštujujte sva uputstva o sigurnosti koja su data u priručniku za rad.



Prije upotrebe pažljivo pročitajte priručnik za rad rukovaoca i vodite računa da vam upute budu jasne.



Koristite zaštitnu kacigu na mjestima na kojim predmeti mogu pasti na vas. Koristite odobrenu zaštitu sluha. Koristite odobrenu zaštitu za oči.



Koristite odobrene zaštitne rukavice.



Koristite robusne protuklizne čizme.



Proizvod može uzrokovati izbacivanje predmeta, što može izazvati povrede.



Maksimalna brzina izlaznog vratila.



Za vrijeme rukovanja proizvodom održavajte udaljenost od najmanje 15 m / 50 stopa od osoba i životinja.



Postoji rizik od izbacivanja oštrice ukoliko oprema za rezanje dodirne predmet kojeg ne može odmah prerezati. Proizvod može otkinuti dijelove tijela. Za vrijeme rukovanja proizvodom održavajte udaljenost od najmanje 15 m / 50 stopa od osoba i životinja.



Koristite isključivo fleksibilnu žicu za rezanje. Nemojte koristiti oštećena noževe za rezanje. Primijenite ovo za pribor za zaštitu trave.



Strelice pokazuju granicu položaja ručke.



Kuglica pumpice za istiskivanje zraka.



Sipanje goriva.



Čok.



Emisije buke u okruženju u skladu s evropskom Direktivom 2000/14/EZ i propisom za zaštitu od radova u okruženju (kontrola buke) Novog Južnog Velsa iz 2017. Podaci o emisiji buke navedeni su na naljepnici mašine i u poglavlju *Tehnički podaci na strani 611*.



Proizvod je usklađen s važećim direktivama EZ.

yyyywwxxxx

Na pločici s oznakom kategorije ili laserskom tisku je prikazan serijski broj. **yyyy** označava godinu proizvodnje, a **ww** označava sedmicu proizvodnje.

**Napomena:** Drugi simboli/naljepnice na proizvodu odnose se na zahtjeve certifikacije za druga komercijalna područja.

## Odgovornost za proizvod

Kao što je navedeno u zakonima o odgovornosti za proizvod, mi nismo odgovorni za oštećenja koja uzrokuje naš proizvod ako:

- je proizvod pogrešno popravljen.
- je proizvod popravljen koristeći dijelove koji nisu od proizvođača ili koji nisu odobreni od strane proizvođača.
- proizvod ima dodatnu opremu koju nije napravio proizvođač ili koju proizvođač ne odobrava.
- proizvod nije popravljen u nekom od odobrenih servisa ili od strane odobrenog tijela.

## Emisije Euro V



**UPOZORENJE:** Neovlaštenim otvaranjem proizvoda poništava se EU odobrenje tipa ovog proizvoda.

---

# Sigurnost

---

## Definicija sigurnosti

Definicije u nastavku daju stepen ozbiljnosti za svaku signalnu riječ.



**UPOZORENJE:** Ozljede kod osoba.



**OPREZ:** Oštećenje na proizvodu.

**Napomena:** Ove informacije čine proizvod lakšim za korištenje.

## Opće sigurnosne upute



**UPOZORENJE:** Prije upotrebe proizvoda pročitajte upozorenja u nastavku.

- Proizvod stvara elektromagnetno polje tokom rada. To polje u određenim okolnostima može ometati rad aktivnih ili pasivnih medicinskih implantata. Da biste smanjili rizik od teških ili smrtnih povreda, preporučujemo osobama s medicinskim implantatima da se prije upotrebe ovog proizvoda posavjetuju sa svojim ljekarom i proizvođačem medicinskog implantata.
- Nemojte koristiti proizvod kada ste umorni, bolesni ili pod uticajem alkohola, narkotika ili lijekova. To negativno djeluje na vid, budnost, koordinaciju i rasuđivanje.
- Nemojte koristiti proizvod u lošim vremenskim uvjetima, kao što su gusta magla, jaka kiša, jak vjetar i iznimna hladnoća. Korištenje proizvoda u lošim vremenskim uslovima može vas umoriti te povećati rizik, kao što su poledica tla i nepredvidiv smjer pada odrezanog rastinja.
- Uvijek budite oprezni i postupajte razumno i savjesno. Ukoliko nakon čitanja priručnika za rukovaoca imate nedoumica u vezi sa situacijom ili postupcima rada, prije nego što nastavite porazgovarajte s ovlaštenim servisierom.
- Ukoliko proizvod ostavljate izvan nadzora, uklonite zatvarač svječiće.

## Sigurnosna uputstva za sklapanje



**UPOZORENJE:** Prije upotrebe proizvoda pročitajte upozorenja u nastavku.

- Koristite odobrene zaštitne rukavice prilikom sklapanja proizvoda i dodatka za rezanje.
- Prije sklapanja proizvoda sa svječiće uklonite kapicu svječiće.
- Prije korištenja proizvoda, provjerite je li postavljena odgovarajuća ručka i štitnik reznog dodatka.
- Oštećeni ili neodgovarajući štitnik reznog dodatka može izazvati povrede. Nemojte koristiti rezni dodatak bez odobrenog štitnika.
- Pravilno postavite poklopac kvačila i osovinu prije korištenja proizvoda.
- Pogonska ploča i pribornica nosača moraju se ispravno pričvrstiti u središnji otvor reznog dodatka. Nepravilno spojen rezni dodatak može uzrokovati povredu ili smrt.
- Pričvrstite remen za proizvod kako biste spriječili povredu rukovaoca ili drugih osoba.

## Sigurnosne upute za rad



**UPOZORENJE:** Prije upotrebe proizvoda pročitajte upozorenja u nastavku.

- Prije upotrebe proizvoda naučite i shvatite razliku između šumskog raščišćavanja, uklanjanja trave i podrezivanja trave.
- Koristite ličnu zaštitnu opremu, vidjeti *Lična zaštitna oprema na strani 592*.
- Dugotrajno izlaganje buci može izazvati trajni gubitak sluha. Uvijek nosite odobrenu opremu za zaštitu sluha.
- Prilikom korištenja zaštite za uši, oslušujte signale upozorenja i glasne glasove. Uvijek uklonite opremu za zaštitu sluha kada se motor zaustavi.
- Nemojte nikada koristiti proizvod ukoliko je izmijenjen ili neispravan.
- Vodite računa da zatvarač svječiće i kablovi za paljenje nisu oštećeni kako biste spriječili rizik od električnog udara.
- Osmotrite radno područje kako biste se uvjerali da nijedna osoba, životinja ili predmet ne narušavaju sigurnost rada proizvoda.
- Osmotrite radno područje kako biste se uvjerali da nijedna osoba ili životinja ne dira rezni dodatak ili da ih ne udare predmeti koji se izbacuju iz reznog dodatka.
- Nemojte koristiti proizvod u situacijama ili na mjestima na kojim ne možete primiti pomoć u slučaju nesreće.
- Nemojte koristiti proizvod bez odobrenog štitnika reznog dodatka.
- Vodite računa da za vrijeme rada osobe ili životinje budu udaljene najmanje 15 m / 50 stopa. Prije nego što se okrenete s proizvodom, uvijek pogledajte iza

sebe. Ukoliko neka osoba ili životinja uđu u krug sigurnosne zone od 15 m / 50 stopa, odmah zaustavite rad proizvoda. Ukoliko na istom području radi više od jednog rukovaoca, održavajte rastojanje koje je jednako najmanje dvostruko visini drveta ili najmanje 15 m / 50 stopa.

- Pregledajte radno područje. Izbjegavajte nepričvršćene predmete kao što su kamenje, slomljeno staklo, čeličnih žica i kablova, koji se mogu izbaciti iz reznog dodatka ili omotati oko njega.
- Vodite računa da se možete sigurno kretati, te da imate siguran položaj. Pregledajte ima li u području oko vas prepreka kao što su korjenje, kamenje, granje i kanali. Budite pažljivi kada radite na padinama.



- Ne posežite predaleko. Stalno održavajte stabilan položaj stopala i dobru ravnotežu.
- Prije pokretanja proizvoda, položite ga na ravnu površinu na udaljenost od najmanje 3 m / 10 stopa od izvora goriva i od mjesta na kojem sipate gorivo. Vodite računa da nikakvi predmeti ne dodiruju rezni dodatak niti da se nalaze u blizini.
- Ukoliko se rezni dodatak okreće brzinom praznog hoda motora, ostavite predstavniku servisa da ga podesi. Nemojte koristiti proizvod dok ne bude podešen ili popravljen.
- Čuvajte se odbačenih predmeta. Uvijek koristite odobrenu zaštitu za oči i ne prilazite štitniku reznog dodatka. Kamenje i mali predmeti vam mogu biti izbačeni u oči i uzrokovati sljepilo ili druge povrede.
- Nemojte spuštati proizvod na tlo dok motor radi, osim ako vam je u vidnom polju.
- Nemojte uklanjati rezani materijal, niti davati drugim osobama da ga uklanjaju, dok motor radi ili dok se oprema za rezanje okreće, jer to može uzrokovati teške povrede.
- Prije nego što uklonite materijal koji se omotao oko vratila oštrice ili koji je zaglavljn između štitnika reznog dodatka i reznog dodatka, uvijek zaustavite motor i provjerite da se oprema za rezanje ne okreće.
- Budite pažljivi prilikom uklanjanja materijala nakupljenog oko opreme za rezanje. Konusni pogon se zagrijava tokom rada i može izazvati opekotine.

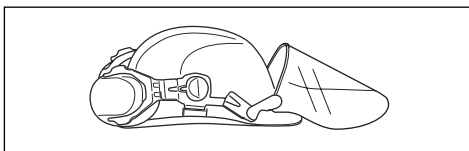
- Izduvni gasovi motora su vreli i mogu emitirati iskre. Opasnost od požara. Budite pažljivi u blizini suhih i zapaljivih materijala.
- Nemojte koristiti proizvod u zatvorenim prostorima ili u prostorima bez adekvatne ventilacije. Ispušni dimovi sadrže ugljen monoksid, otrovan gas bez mirisa koji je veoma opasan.
- Zaustavite motor prije nego što pređete na drugo područje. Uvijek spojite štitnik za transport prije nego što premjestite opremu.
- Preveliko izlaganje vibracijama može dovesti do poremećaja cirkulacije krvi ili oštećenja živaca kod osoba s slabom cirkulacijom krvi. Ako primijetite simptome prevelikog izlaganja vibracijama, obratite se ljekaru. Ti simptomi uključuju trnjenje udova, gubitak osjećaja, trnce, bockanje, bol, gubitak snage, promjene u boji kože ili stanju. Ti simptomi se obično manifestuju u prstima, rukama ili zglobovima. Rizik se povećava pri niskim temperaturama.

## Lična zaštitna oprema

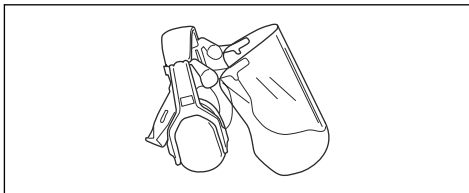


**UPOZORENJE:** Prije upotrebe proizvoda pročitajte upozorenja u nastavku.

- Uvijek koristite odobrenu opremu za ličnu zaštitu kada rukujete proizvodom. Lična zaštitna oprema ne može u potpunosti spriječiti povrede, ali smanjuje stepen povreda u slučaju nesreće. Neka vam zastupnik pomogne pri izboru odgovarajuće opreme.
- Koristite šljem ukoliko je drveće u području rada više od 2 m / 6,5 stopa.



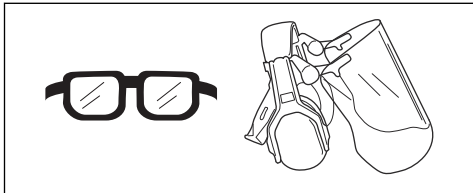
- Koristite odobrenu zaštitu za uši.



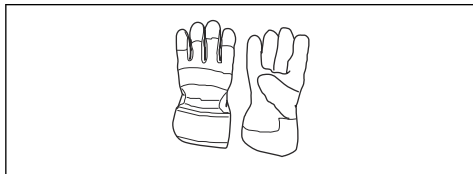
- Koristite odobrenu zaštitu za oči. Ako koristite vizir, morate koristiti i odobrene zaštitne naočale. Odabrane zaštitne naočale moraju ispunjavati



standard ANSI Z87.1 u SAD-u ili EN 166 u zemljama EU.



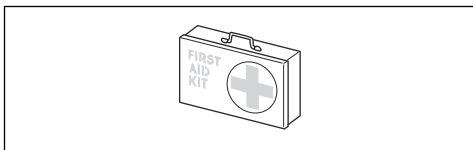
- Koristite rukavice kada je to neophodno, npr. prilikom spajanja, pregledanja ili čišćenja opreme za rezanje.



- Koristite zaštitne čizme s čeličnom pločicom na prstima i protukliznim đonovima.



- Nosite odjeću od čvrstih materijala. Uvijek nosite debele, duge hlače i duge rukave. Nemojte nositi odjeću koja se može zakačiti za graničice i grane. Nemojte nositi nakit, kratke hlače ili sandale. Ne hodajte bosim. Podignite kosu na sigurno područje iznad ramena.
- Držite komplet za pružanje prve pomoći u blizini.



## Sigurnosna sredstva na proizvodu

Za informacije o tome gdje pronaći sigurnosna sredstva, pogledajte *Zaštitnik reznog dodatka na strani 594*.



**UPOZORENJE:** Prije upotrebe proizvoda pročitajte upozorenja u nastavku.

- Nemojte koristiti proizvod s neispravnim sigurnosnim sredstvima. Redovno provjeravajte i održavajte sigurnosna sredstva. Ukoliko sigurnosno sredstvo

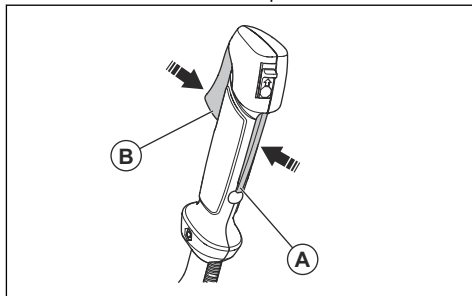
nije ispravno, obratite se svom predstavniku McCulloch servisa.

- Nemojte vršiti izmjene na sigurnosnim uređajima. Nemojte koristiti proizvod ukoliko zaštitni poklopci, sigurnosni prekidači ili druga zaštitna sredstva nisu spojena ili su neispravna.
- Za sve servisne radove i popravke proizvoda, naročito za sigurnosna sredstva, potrebna je posebna obuka. Ukoliko sigurnosna sredstva ne pružu provjeru datu u priručniku za rukovoaca, morate dopustiti predstavniku servisa da vam pomogne. Mi garantujemo da su na raspolaganju profesionalna popravka i usluga. Ukoliko vaš prodavač nije predstavnik servisa, zatražite od njega informacije o najbližem predstavniku servisa.
- Nemojte koristiti rezni dodatak bez odobrenog i ispravno postavljenog štitnika dodatka. Pogledajte *Tehnički podaci na strani 611*.

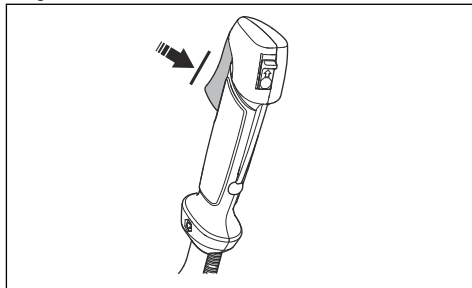
## Provjera blokade poluge gasa

Blokada ručice gasa je projektovana tako da onemogućava njeno slučajno korištenje.

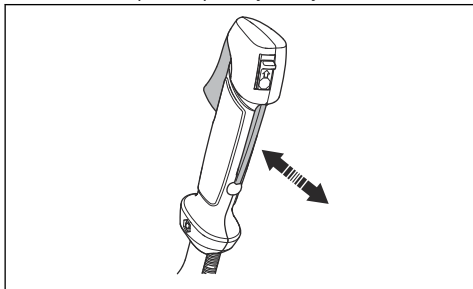
1. Pritisnite blokadu poluge gasa (A) i vodite računa da je kontrola gasa puštena (B). Kada otpustite ručku, ručica gasa i blokada ručice gasa se vraćaju u svoj prvobitni položaj. Kretnjom upravljaju dvije povratne opruge. Ovo znači da se ručica za gas automatski blokira kada mašina radi na prazno.



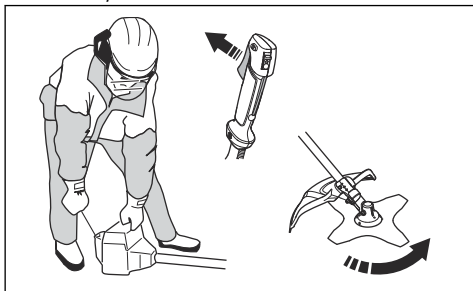
2. Vodite računa da ručica gasa bude blokirana u praznom hodu i kada je otpuštena blokada ručice za gas.



3. Pritisnite blokadu ručice gasa i vodite računa da se ona vraća u početni položaj kada je oslobodite.

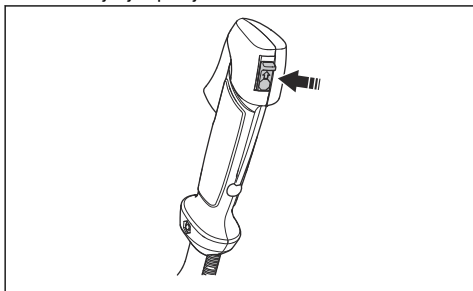


4. Provjerite kreću li se ručica gasa i njena blokada slobodno i radi li povratna opruga ispravno.
5. Pokrenite proizvod (pogledajte uputstva ispod *Pokretanje i zaustavljanje na strani 603*) i dodajte gas maksimalno.
6. Otpustite ručicu za gas i provjerite zaustavlja li se pribor za rezanje i miruje li. Podesite karburator ako se rezni dodatak pomjera kada je gas u praznom hodu. Pogledajte uputstva u poglavlju *Podešavanje brzine u praznom hodu na strani 609*.



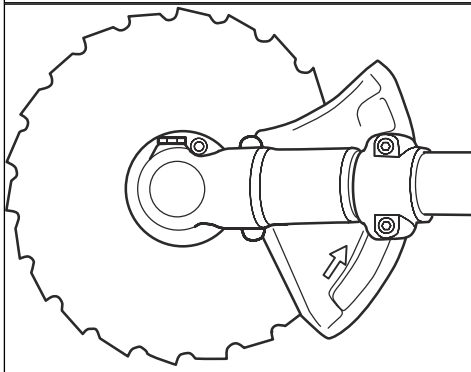
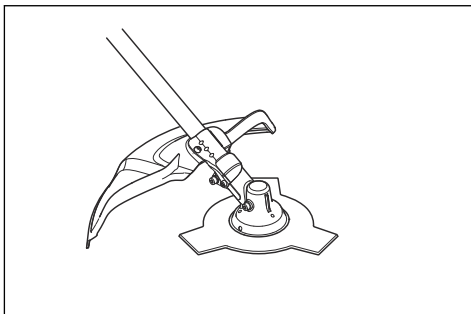
### Provjera prekidača za zaustavljanje

1. Pokrenite motor.
2. Pomjerite prekidač za zaustavljanje u položaj za zaustavljanje i provjerite da li se motor zaustavi.



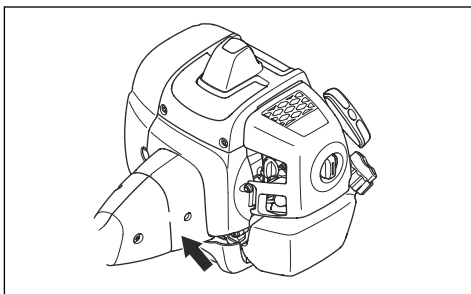
### Zaštitnik reznog dodatka

Zaštitnik reznog dodatka sprečava da se labavi dijelovi izbace u smjeru rukovaoca. Ispitajte zaštitnik reznog dodatka radi oštećenja i zamijenite ga ako je oštećen. Koristite samo odobrene zaštitnike za rezni dodatak.



### Provjera sistema ublažavanja vibracija

Sistem za ublažavanje vibracija smanjuje vibracije na ručkama na najmanju moguću mjeru, što olakšava rad.



1. Zaustavite motor.
2. Izvršite vizuelni pregled deformacija i oštećenja, npr. pukotina.
3. Provjerite jesu li elementi na sistemu za ublažavanje vibracija pravilno povezani.

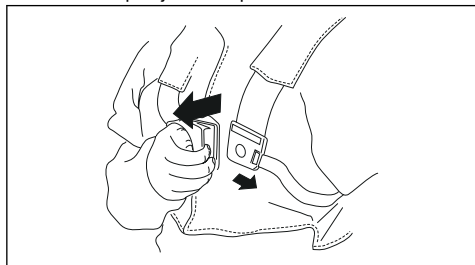
## Provjera mehanizma za brzo oslobađanje



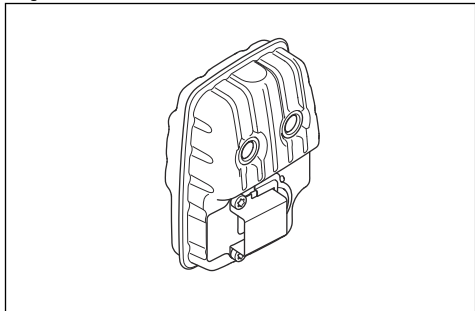
**UPOZORENJE:** Nemojte koristiti naramenice s neispravnim mehanizmom za brzo oslobađanje.

Mehanizam za brzo oslobađanje omogućava rukovaocu da u slučaju hitnosti brzo ukloni proizvod iz naramenica.

1. Zaustavite motor.
2. Izvršite vizuelni pregled oštećenja, npr. pukotina.
3. Oslobodite i spojite mehanizam za brzo oslobađanje kako biste provjerili da ispravno funkcioniра.



## Prigušivač



- Nemojte koristiti motor s oštećenim auspuhom. Oštećeni auspuh povećava nivo buke i opasnost od požara. Držite aparat za gašenje požara u blizini.
- Redovno provjeravajte da je auspuh pričvršćen za proizvod.
- Nemojte dodirivati motor ili auspuh kada je motor uključen. Nemojte dodirivati motor ili auspuh tokom nekog vremena nakon što se motor zaustavi. Vruće površine mogu izazvati povredu.
- Vrući auspuh može izazvati požar. Budite oprezni, ako koristite proizvod u blizini zapaljivih tečnosti ili para.
- Nemojte dodirivati dijelove na auspuhu, ako je auspuh oštećen. Dijelovi mogu sadržavati neke kancerogene hemikalije.
- Redovno čistite svjećicu ako proizvod ima svjećicu.

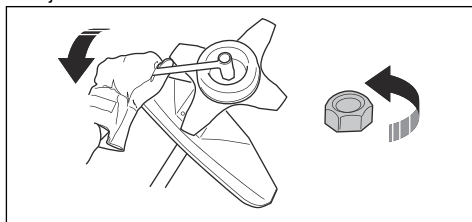
## Spajanje i uklanjanje sigurnosne matice



**UPOZORENJE:** Zaustavite motor, koristite zaštitne rukavice i čuvajte se oštih ivica reznog dodatka.

Matica se koristi za pričvršćivanje nekih vrsta reznih dodataka. Matica ima lijevi navoj.

- Da biste postavili, pritegnite sigurnosnu maticu u smjeru suprotnom od smjera okretanja reznog dodatka.
- Da biste uklonili sigurnosnu maticu, olabavljujete je u smjeru okretanja reznog dodatka.
- Da biste olabavili i pritegnuli steznu navrtku, koristite nasadni ključ sa dugom osovinom. Strelica na slici pokazuje gdje možete sigurno raditi s nasadnim ključem.



**UPOZORENJE:** Kada olabavljujete i pritezete steznu navrtku, postoji opasnost od povrede nožem. Kada ovo radite, uvek morate da se uverite da štitnik noža sprečava povredu vaše ruke.

**Napomena:** Vodite računa da sigurnosnu maticu možete okrenuti rukom. Ukoliko sintetička postava ne pruža otpor od minimalno 1,5 Nm, zamijenite maticu. Sigurnosna matica se mora zamijeniti nakon što je korištena otprilike 10 puta.

## Pribor za rezanje

Odaberite i održavajte pribor za rezanje kako bi se:

- postigao maksimalni rezultat rezanja.
- produžio radni vijek pribora za rezanje.
- Slijedite uputstva za pregled, održavanje i servisiranje lonca auspuha.
- Uvijek koristite odobrene zaštitnike pribora za rezanje. Pogledajte odjeljak "Tehnički podaci".



**UPOZORENJE:** Koristite rezni dodatak samo sa zaštitnicima koje mi preporučujemo! Vidi poglavlje Tehnički podaci. Pogledajte upute vezane za rezni dodatak da biste pronašli ispravan način punjenja silka za trimer i ispravan presjek silka za trimer.



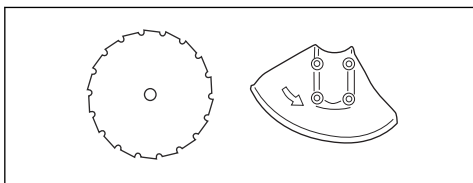
**UPOZORENJE:** Neispravan rezni dodatak može povećati opasnost od nesreća.



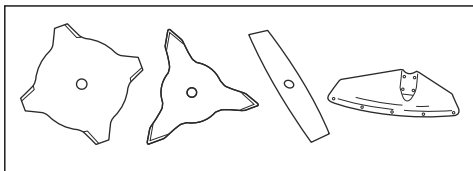
**UPOZORENJE:** Uvijek zaustavite mašinu prije nego što vršite bilo kakve radove na reznom dodatku. On nastavlja da se okreće čak i nakon što otpustite ručicu za gas. Vodite računa da se rezni dodatak u potpunosti zaustavi i potpuno odvojite poklopac sa svjeće prije nego što počnete radove.

### Pribor za rezanje

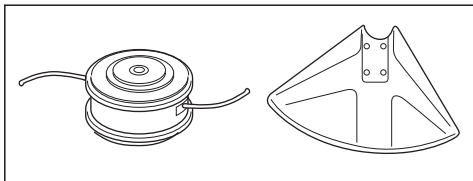
- Koristite sječivo za rezanje kako biste rezali vlaknasto drveće.



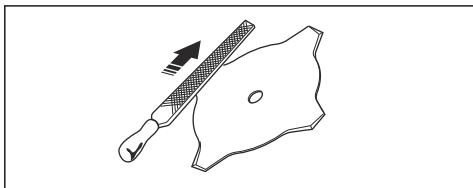
- Koristite sječiva i noževe za travu za rezanje divlje trave.



- Koristite glavu trimera za rezanje trave.



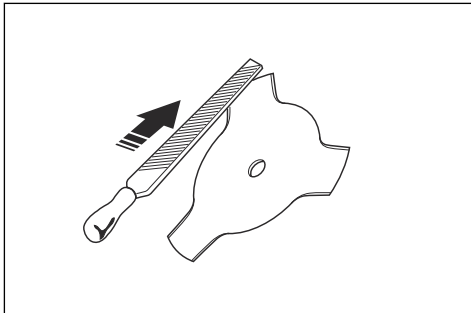
- Neispravno naoštren ili oštećen nož povećava rizik od nesreća. Zupce noža održavajte ispravno naoštrenim. Pratite upute u *Oštrenje sječiva i noževa za travu na strani 597* i koristite preporučenu turpiju.



- Pregledajte ima li na reznom dodatku oštećenja ili pukotina. Zamijenite oštećeni rezni dodatak.
- Koristite rezne dodatke samo s preporučenim zaštitnicima. Pogledajte odjeljak *Tehnički podaci na strani 611*.

### Sječiva

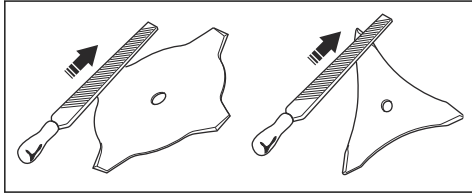
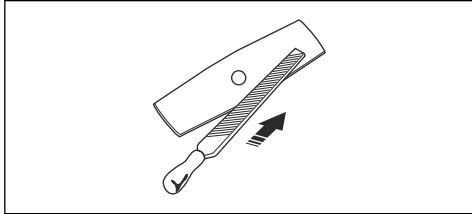
- Koristite proizvod s odobrenim nožem za travu. Nemojte koristiti nož za travu prije nego što na odgovarajući način postavite sve obavezne dijelove. Provjerite je li instalacija izvršena pravilno te jesu li korišteni odgovarajući dijelovi. Nepravilnom instalacijom može se prouzrokovati otpadanje noža, kao i teške povrede rukovoaca ili osoba u blizini.
- Kada radite sa sječivom ili vršite održavanje, nosite zaštitne rukavice.
- Koristite opremu za zaštitu glave prilikom rukovanja s proizvodom koji ima nož.
- Nož može izazvati povrede dok se nastavlja vrtiti nakon što se motor zaustavi ili nakon puštanja regulatora gasa. Prije održavanja provjerite je li se nož potpuno zaustavio.
- Zaustavite motor prije obavljanja bilo kakvih radova na reznom dodatku. Pazite da se rezni dodatak potpuno zaustavi. Isključite kabl iz svjeće.
- Zupce noža održavajte ispravno naoštrenim.



- Nemojte koristiti oštećen rezni dodatak.
- Postavite štitnik za transport na nož prilikom transporta ili skladištenja proizvoda.

## Oštrenje sječiva i noževa za travu

- Jednako naoštrite sve ivice sječiva i noževa za travu kako biste održali ravnotežu noža. Koristite pljosnату turpiju s jednim zasjekom.

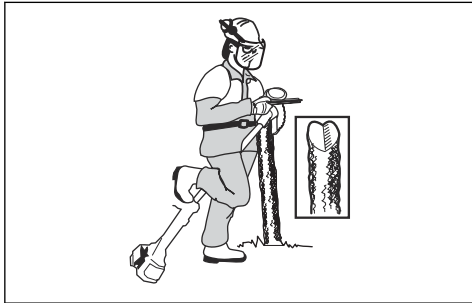


## Oštrenje sječiva noža

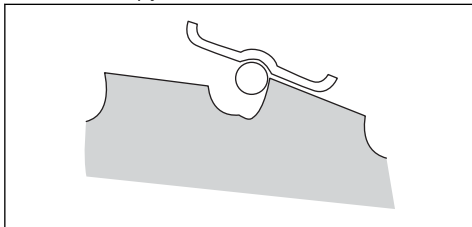


**UPOZORENJE:** Zaustavite motor.  
Koristite zaštitne rukavice.

- Za ispravno oštrenje i noža pogledajte uputstva koja su priložena uz nož.
- Vodite računa da proizvod i nož imaju dovoljno oslonca prilikom oštrenja.

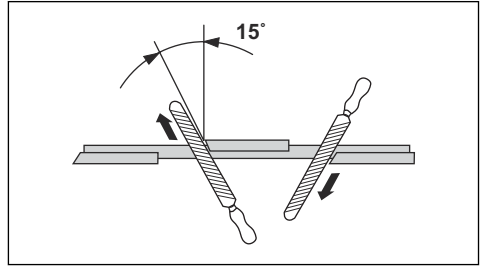


- Koristite okruglu turpiju od 5,5 mm (7/32 in) s nosačem turpije.



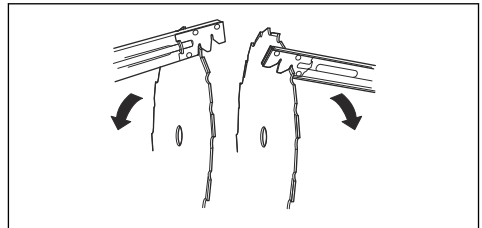
- Držite turpiju pod uglom od 15°.

- Jedan zubac noža oštrite udesno a naredni zubac ulijevo. Pogledajte sliku.



**Napomena:** Ukoliko je nož puno istrošen, ivice zubaca oštrite pljosnatom turpijom. Nastavite oštiti okrugom turpijom.

- Naoštrite sve rubove podjednako radi uravnoteženosti noža.
- Podesite nož na 1mm (0,04 in) uz preporučeni alat za štitanje. Pogledajte uputstva koja su isporučena s nožem.

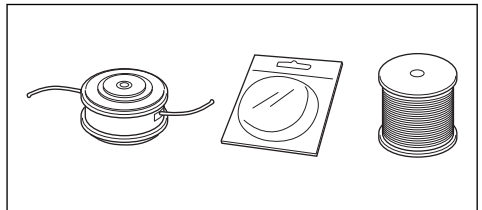


**UPOZORENJE:** Uvijek oštećeno sječivo. Nemojte pokušavati ispraviti savijeno ili uvijeno sječivo i ponovo ga koristiti.

## Glava trimera



**UPOZORENJE:** Uvijek vodite računa da je konopac trimera usko obavijen oko bubnja kako bi se spriječile štetne vibracije.



- Koristite samo preporučene glave trimera i konopac za podrezivanje.
- Koristite samo preporučene rezne dodatke.
- Manjim mašinama su potrebne manje glave za podrezivanje i obratno.

- Važna je dužina konopca za podrezivanje. Duži konopac za podrezivanje zahtjeva veću snagu mašine od kraćeg konopca istog presjeka.
- Uvjerite se da je sječivo na štitniku glave za podrezivanje ispravno. Time se konopac za podrezivanje postavlja na ispravnu dužinu.
- Prije upotrebe, konac za podrezivanje uronite u vodu i ostavite nekoliko dana kako biste mu produžili vijek trajanja.

### Sigurnosne mjere pri rukovanju sa gorivom

- Nemojte pokretati proizvod ako u proizvodu ima goriva ili motornog ulja na proizvodu. Odstranite neželjeno gorivo/ulje i dopustite da se proizvod osuši. Odstranite neželjeno gorivo s proizvoda.
- Ako prolijete gorivo po odjeći, odmah presvucite odjeću.
- Nemojte dopustiti da gorivo dospije na tijelo, to može izazvati povredu. Ako gorivo dospije na odjeću, koristite sapun i vodu da odstranite gorivo.
- Nemojte pokretati motor ako prolijete ulje ili gorivo po proizvodu ili po svom tijelu.
- Nemojte pokretati proizvod ako se na motoru javlja curenje. Redovno provjeravajte motor na curenje.
- Budite oprezni s gorivom. Gorivo je zapaljivo i pare su eksplozivne i mogu izazvati povrede ili smrt.
- Nemojte udisati pare od goriva, to može izazvati povredu. Uvjerite se da ima dovoljno protoka zraka.
- Nemojte pušiti u blizini goriva ili motora.
- Nemojte stavljati tople predmete u blizini goriva ili motora.
- Nemojte dodavati gorivo kada je motor uključen.
- Uvjerite se da je motor hladan prije nego dopunite gorivo.

- Prije dopunjavanja gorivom, otvorite poklopac rezervoara za gorivo i pažljivo oslobodite pritisak.
- Nemojte dodavati gorivo u motor u zatvorenom prostoru. Nedovoljni protok zraka može izazvati povredu ili smrt zbog nedostatka kisika ili ugljičnog monoksida.
- Pažljivo pričvrstite poklopac spremnika za gorivo ili bi moglo doći do požara.
- Pomjerite proizvod minimalno 3 m (10 stopa) od položaja gdje ste punili spremnik za gorivo prije pokretanja proizvoda.
- Nemojte stavljati previše goriva u spremnik za gorivo.
- Uvjerite se da ne može doći do curenja kada pomjerite proizvod ili spremnika za gorivo.
- Nemojte stavljati proizvod ili spremnik za gorivo gdje postoji otvoreni plamen, iskra ili plinski plamen. Uvjerite se da područje za skladištenje ne sadrži otvoreni plamen.
- Koristite samo odobrene spremnika kada pomjerate gorivo ili stavljate gorivo u skladište.
- Ispraznite spremnik za gorivo prije dugotrajnog skladištenja. Poštujte lokalni zakon o tome gdje odlagati gorivo.
- Očistite proizvod prije dugotrajnog skladištenja.
- Skinite kabl svjećice prije nego što stavite proizvod u skladište kako biste bili sigurni da se motor neće pokrenuti slučajno.

### Sigurnosna uputstva za održavanje

- Ako ne možete podesiti brzinu u praznom hodu da biste zaustavili rezni dodatak, obratite se servisnom centru. Ne upotrebljavajte proizvod dok proizvod ne bude pravilno podešen ili popravljen.

## Sastavljanje



**UPOZORENJE:** Pročitajte poglavlje za sigurnosna uputstva prije nego sastavite proizvod.

### Uvod



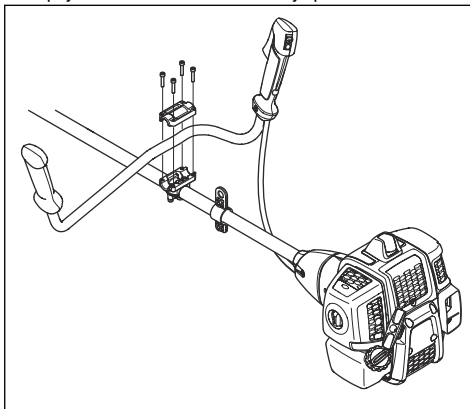
**UPOZORENJE:** Prije sklapanja proizvoda, morate s razumijevanjem pročitati poglavlje o sigurnosti.



**UPOZORENJE:** Prije sklapanja proizvoda sa svjećice uklonite kabl svjećice.

### Instalacija drške

1. Spojite dršku na nosač kao što je prikazano.



## Postavljanje noževa i glava trimera



**UPOZORENJE:** Za noževe koristite samo odobrene štitnike. Pogledajte *Tehnički podaci na strani 611*. Oštećeni štitnik može izazvati povrede.

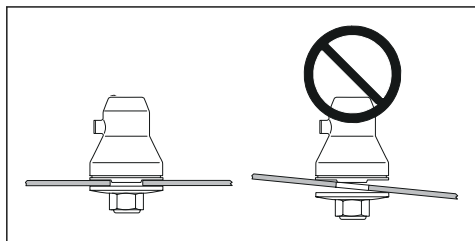


**UPOZORENJE:** Ako koristite proizvod na koji je postavljen nož za travu, prvo instalirajte odgovarajuću dršku, štitnik noža i remen.



**UPOZORENJE:** Ako noževe ne postavite pravilno, može doći do povreda.

1. Pazite da uzdignuti dio pogonske ploče/prirubnice nosača bude ispravno postavljen u središnji otvor noža.
2. Postavite noževe.



## Postavljanje štitnika noža, nož za travu i rezača trave

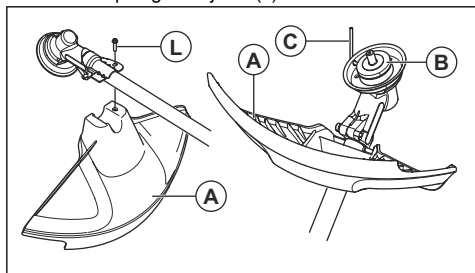


**OPREZ:** Za noževe koristite samo odobrene štitnike. Pogledajte korisnički priručnik.



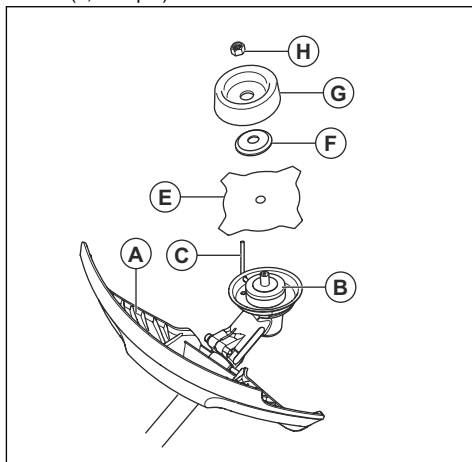
**OPREZ:** Provjerite je li nastavak štitnika uklonjen.

1. Pričvrstite štitnik noža / štitnik reznog dodatka (A) na osovinu i pritegnite vijkom (L).



2. Postavite pogonsku ploču (B) na izlaznu osovinu.

3. Okrećite izlaznu osovinu sve dok se jedna od rupa na pogonskoj ploči ne poravna s odgovarajućom rupom na kućištu opreme.
4. Postavite iglu za zabavljanje (C) u otvor kako biste zabravili vratilo.
5. Na izlazno vratilo postavite nož (E), prirubnicu nosača (F) i kapu nosača (G).
6. Montirajte maticu (H). Dršku ključa držite što je moguće bliže štitniku noža. Matica se zateže okretanjem ključa u smjeru suprotnom smjeru okretanja. Pritegnite vijak do moemnta sile od 35–50 Nm (3,5–5 kpm).



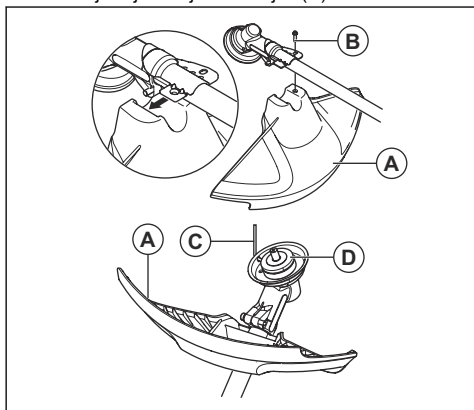
**Napomena:** Lijevi navoj.

## Pričvršćavanje štitnika trimera i glave trimera

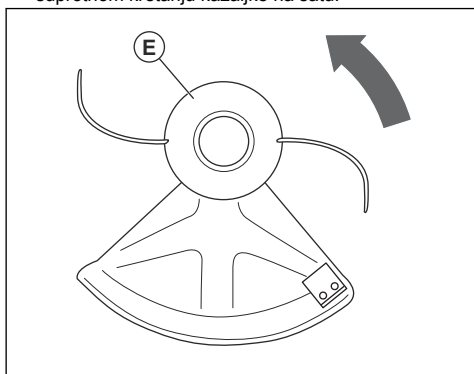
**Napomena:** Vodite računa da koristite odgovarajući štitnik za trimmer za odgovarajuću glavu trimera.

1. Postavite ispravan štitnik trimera/kombinacijski štitnik (A) za glavu trimera.

2. Postavite štitnik trimera/kombinacijski štitnik oko osovine i pritegnite je vijkom (B). Koristite iglu za zabravljivanje ili zvjezdasti ključ (C).



3. Postavite iglu za zabravljivanje ili zvjezdasti ključ (C) u žlijeb glave vijka i pritegnite ga.
4. Postavite pogonski disk (D) na izlaznu osovinu.
5. Okrećite izlazno vratilo sve dok se jedna od rupa na pogonskoj ploči ne izravna sa odgovarajućom rupom na kućištu opreme.
6. Postavite iglu za zabravljivanje ili zvjezdasti ključ (C) u otvor kako biste zabravili vratilo.
7. Sklopite glavu trimera / plastične noževe (E). Okrećite glavu trimera / plastične noževe u smjeru suprotnom kretanju kazaljke na satu.



8. Za rasklapanje pratite upute obrnutim redoslijedom.

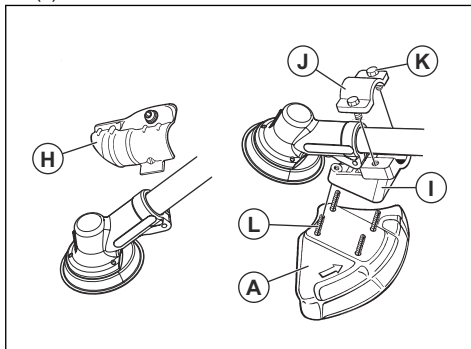
### Postavljanje štitnika noža i sječiva noža



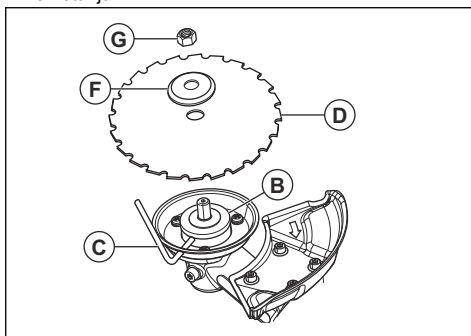
**OPREZ:** Za noževe koristite samo odobrene štitnike. Pogledajte *Tehnički podaci na strani 611*.

1. Uklonite ploču za montiranje (H).

2. Postavite adapter (I) i nosač (J) pomoću dva vijka (K).
3. Postavite štitnik noža (A) na adapter pomoću 4 vijka (L).



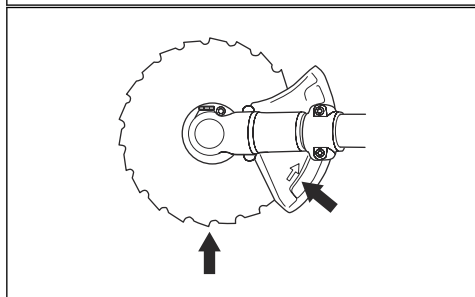
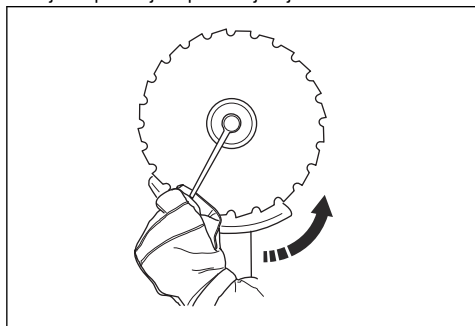
4. Postavite pogonsku ploču (B) na izlaznu osovinu.
5. Okrećite osovinu noža sve dok se jedna od rupa na pogonskoj ploči ne izravna sa odgovarajućom rupom na kućištu opreme.
6. Uvedite iglu za zaključavanje (C) u rupu kako biste zaključali osovinu.
7. Na izlazno vratilo postavite nož (D) i prirubnicu nosača (F).
8. Postavite maticu (G). Matica se mora pritegnuti s momentom sile od 35–50 Nm (3,5–5kpm). Koristite nasadni ključ iz seta alata. Držite osovinu ključa što je moguće bliže štitniku noža. Da biste pritegnuli maticu, okrećite ključ u suprotnom smjeru od smjera okretanja.



**Napomena:** Lijevi navoj.

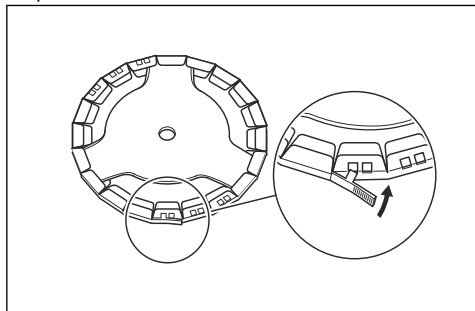


9. Kada otpuštate i zatežete maticu kružne pile, možete ozlijediti ruku na zube pile. Stoga uvijek vodite računa da vam je ruka zaštićena štitnikom noža. Uvijek koristite nasadni ključ s osovinom koja je dovoljno duga za tu namjenu. Strelica na dijagramu pokazuje područje u kojem trebate koristiti nasadni ključ otpuštanja ili pritezanja vijaka.



### Postavljanje štitnika za transport

1. Pričvrstite štitnik za transport na nož kao što je prikazano na slici.



### Podешavanje pojasa

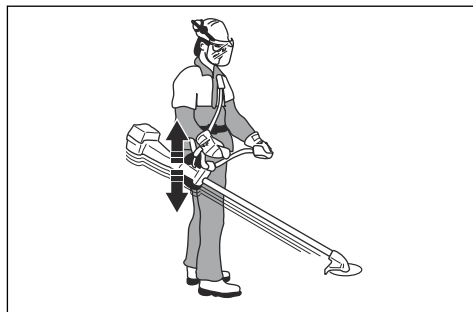


**UPOZORENJE:** Proizvod uvijek mora biti ispravno pričvršćen za remen. Ako nije, ne možete sigurno raditi s proizvodom i to može dovesti do povrede vas ili drugih. Nemojte koristiti neispravan remen. Nemojte koristiti pojas s neispravnim mehanizmom za sigurnosno otvaranje.

1. Stavite pojas.
2. Priključite proizvod u remen.
3. Podesite pojas u najbolji radni položaj.
4. Podesite bočne pojaseve kako biste ravnomjerno rasporedili težinu na ramena.



5. Podesite pojas tako da rezni dodatak bude paralelan s tlom.



6. Pustite da se pribor za rezanje lagano oslanja na tlo. Podesite kopču pojasa tako da proizvod bude pravilno balansiran.

**Napomena:** Ako koristite sječivo za travu ono mora balansirati oko 10 cm / 4 inča iznad tla.

### Rukovanje



**UPOZORENJE:** Pročitajte i proučite poglavlje za sigurnosna uputstva prije početka rada s proizvodom.

## Uvod



**UPOZORENJE:** Prije rada s proizvodom, morate s razumijevanjem pročitati poglavlje o sigurnosti.

## Govorivo

Ovaj proizvod ima dvotaktni motor.



**OPREZ:** Nepravilno gorivo može uzrokovati oštećenje motora. Koristite mješavinu benzina i ulja za dvotaktni motor.

## Pripremljena smješa goriva

- Za najbolje rezultate i duži radni vijek motora, koristite pripremljenu smještu goriva McCulloch. Takvo gorivo sadrži manje opasne hemikalije od običnog goriva, čime se smanjuju opasni ispušni dimovi. S takvim gorivom, količina ostataka nakon sagorijevanja je manja, zbog čega sastavni dijelovi motora budu čišći.

## Miješanje goriva

### Benzin

- Koristite bezolovni benzin dobrog kvaliteta s maksimalnim sadržajem etanola do 10%.



**OPREZ:** Nemojte koristiti benzin čiji oktanski broj je manji od 90 RON/87 AKI. Upotrebom goriva koje ima manji oktanski broj može izazvati kuckanje u motoru te oštećenje istog.

### Ulje za dvotaktne motore

- Za najbolje rezultate i rada koristite McCulloch ulje za dvotaktne motore.
- Ukoliko McCulloch ulje za dvotaktne motore nije dostupno, koristite kvalitetno ulje za dvotaktne motore sa zračnim hlađenjem. Obratite se zastupniku servisa za odabir pravilnog ulja.



**OPREZ:** Nemojte koristiti ulje za vanbrodske dvotaktne motore s vodenim hlađenjem, koji se nazivaju i vanbrodski. Nemojte koristiti ulje za četverotaktne motore.

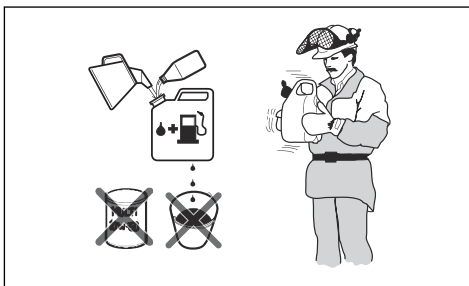
### Miješanje benzina i ulja za dvotaktne motore

Benzin, litar	Ulje za dvotaktne motore, litar
	2% (50:1)

5	0,10
10	0,20
15	0,30
20	0,40
<b>Američki galon</b>	<b>Američka unca</b>
1	2 ½
2 1/2	6 ½
5	12 ¾



**OPREZ:** Ukoliko pravite malu količinu smješe, male greške mogu drastično poremetiti omjer smješe. Pravilno izmjerite količinu ulja i vodite računa da dobijete pravilnu smještu.



1. Naspite pola količine benzina u čistu posudu za gorivo.
2. Dodajte punu količinu ulja.
3. Protresite smještu goriva.
4. Dodajte preostalu količinu benzina u posudu.
5. Protresite smještu goriva.



**OPREZ:** Nemojte miješati gorivo više od jednom mjesečno.

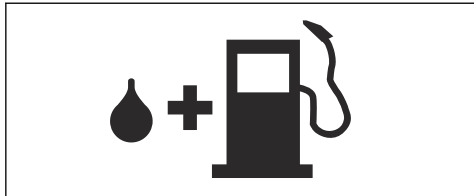
### Da biste napunili spremnik za gorivo



**UPOZORENJE:** Pridržavajte se postupka navedenog u nastavku radi vlastite sigurnosti.

1. Zaustavite motor i pustite ga da se ohladi.

2. Očistite područje oko poklopca rezervoara.



3. Protresite posudu i provjerite je li gorivo dobro izmiješano.
4. Pažljivo uklonite poklopac spremnika za gorivo kako biste oslobodili pritisak.
5. Napunite spremnik za gorivo.



**OPREZ:** Pazite da u spremniku nema puno goriva. Gorivo se širi kada postane vruće.

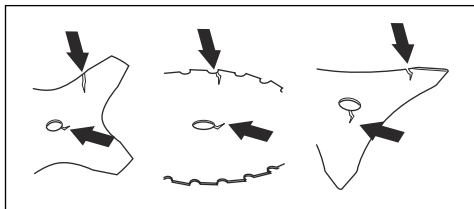
6. Pažljivo pritegnite poklopac rezervoara za gorivo.
7. Obrišite gorivo proliveno po proizvodu i oko proizvoda.
8. Prije pokretanja motora, proizvod odmaknite na udaljenost od najmanje 3 m / 10 stopa od područja gdje se gorivo sipa i gdje je izvor goriva.

**Napomena:** Položaj rezervoara za gorivo na proizvodu potražite u odjeljku *Pregled proizvoda na strani 589*.

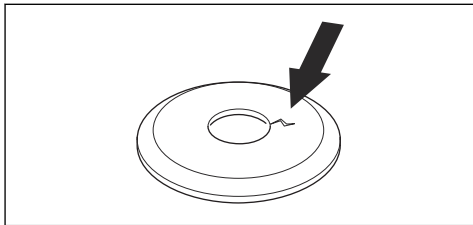
## Pokretanje i zaustavljanje

### Prije rada s proizvodom

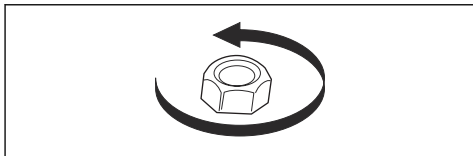
- Provjerite područje rada kako biste bili sigurni da poznajete vrstu terena, nagib zemljišta i ima li prepreka kao što je kamenje, grane i kanali.
- Detaljno pregledajte proizvod.
- Izvršite sigurnosni pregled, održavanje i servisiranje koji su opisani u ovom priručniku.
- Vodite računa da svi poklopci, štitnici, ručke i oprema za rezanje budu ispravno spojeni i da na njima nema oštećenja.
- Vodite računa da s donje strane sječiva noža ili zubaca sječiva za rezanje trave ili pored otvora sječiva u sredini nema pukotina. Ako je sječivo oštećeno, zamijenite ga.



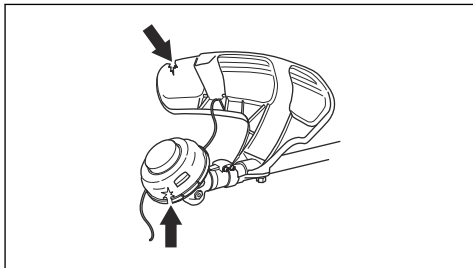
- Pregledajte ima li na priborici nosača pukotina. Ako je priborica nosača oštećena, zamijenite je.



- Vodite računa da se sigurnosna matica može ručno ukloniti. Ako je ne možete ukloniti rukom, onda ne zaključava dovoljno rezni dodatak i morate je zamijeniti.



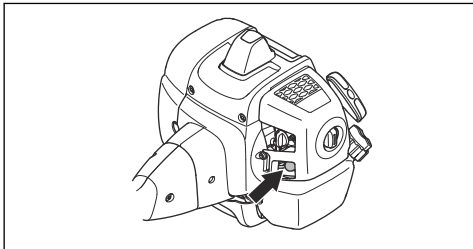
- Pregledajte ima li na štitniku sječiva oštećenja ili pukotina. Ukoliko je nož udaran ili na njemu ima pukotina, zamijenite ga.
- Pregledajte ima li na glavi trimera i štitnika reznog dodatka oštećenja ili pukotina. Ako su glava trimera i rezni dodatak udareni ili na njima ima pukotina, zamijenite ih.



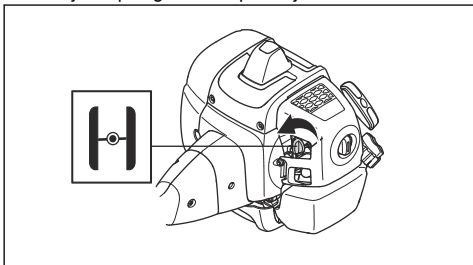
### Zaustavljanje motora

1. Postavite proizvod na ravnu i stabilnu površinu. Rezni dodatak držite dalje od tla.

2. Pritisćite kuglicu pumpice za istiskivanje zraka dok se kuglica ne počne puniti gorivom. Nije neophodno da se pumpica za istiskivanje zraka napuni u potpunosti.

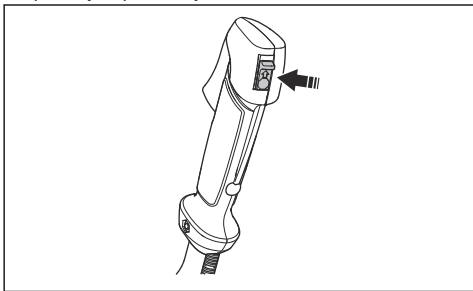


3. Pomjerite polugu čoka u položaj čoka.

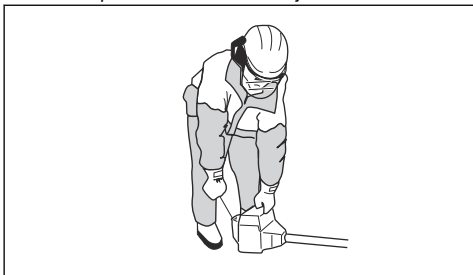


**UPOZORENJE:** Rezni pribor će se odmah početi okretati kada motor pokrenete sa saugom.

4. Prekidač za pokretanje/zaustavljanje postavite u položaj za pokretanje.



5. Kućište proizvoda držite na tlu lijevom rukom.



6. Držite ručicu konopa za pokretanje desnom rukom.  
7. Desnom rukom polako izvucite konopac za pokretanje dok ne osjetite otpor.



**UPOZORENJE:** Nemojte uvijati užu za pokretanje oko ruke.

8. Povucite konop brzo i snažno. Povlačite konop za paljenje čvrsto i brzo dok se motor ne pokrene.

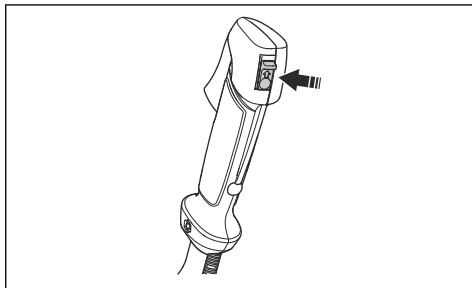


**OPREZ:** Uža za pokretanje nemojte izvlačiti u potpunosti i ne puštajte ručicu za pokretanje kada je uža u potpunosti izvučeno. To može izazvati oštećenje na proizvodu.

9. Kada se motor pokrene, vratite saug na svoje mjesto.  
10. Kada se motor pokrene, povremeno dodajte gas.  
11. Vodite računa da motor glatko radi i pustite da se zagrije 1-2 prije rada.

### Zaustavljanje proizvoda

- Pritisnite prekidač za zaustavljanje da zaustavite motor.



### Povratni udar noža

- Povratni udar noža je iznenadno kretanje proizvoda ustranu, naprijed ili nazad. Do povratnog udara noža dolazi kada nož za travu udari u predmet koji se ne može rezati. U situacijama u kojima nije lako vidjeti materijal koji se reže rizik od povratnog udara noža se povećava.
- Kada dođe do povratnog udara noža, postoji rizik da se proizvod ili operater pomjere iz položaja. Nož za travu u pokretu može pogoditi prolaznike i postoji rizik od povreda.
- Ako je nož iskrivljen, napuknut, slomljen ili oštećen, bacite ga.
- Koristite oštar nož. Rizik od povratnog udara noža se povećava kada nož nije naoštren.

## Opća uputstva za rad

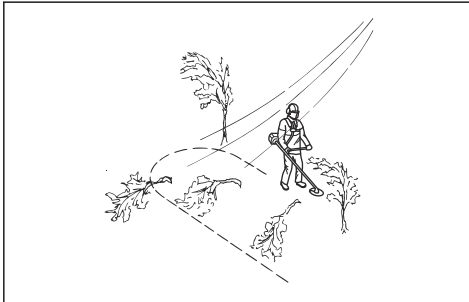


**UPOZORENJE:** Budite pažljivi kada siječete napregnuto drvo. Može se opustiti i vratiti u normalan položaj prije ili nakon rezanja, te udariti vas ili proizvod i izazvati povrede.

- Očistite otvoreni prostor na jednom kraju radnog područja i počnite rad odatle.
- Krećite se pravilnim obrascima po radnom području.



- Pomjerajte proizvod putpuno ulijevo i udesno, da sa svakim potezom očistite prostor širine 4-5 m.
- Očistite prostor dužine od 75 m prije nego što se okrenete i vratite. Nosite kanticu goriva sa sobom dok napredujete dalje.
- Krećite se u smjeru gdje nećete prelaziti preko kanala i prepreka više nego što je to neophodno.
- Krećite se u smjeru gdje vjetar omogućava da vegetacija pada u očišćeno područje.



- Krećite se duž padine, a ne gore-dolje.

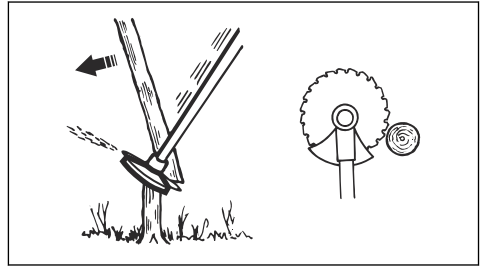
## Čišćenje šumskog rastinja sječivom noža

### Obaranje drveta na lijevu stranu

Da biste oborili drvo na lijevu stranu, gurnite donji kraj drveta udesno.

1. Dajte puni gas.
2. Postavite sječivo noža na drvo kao što je prikazano na slici.

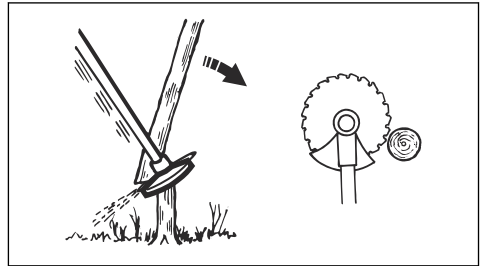
3. Nagnite sječivo noža i snažno ga pritisnite dijagonalno dolje desno. U isto vrijeme gurajte drvo štitnikom noža.



### Obaranje drveta na desnu stranu

Da biste oborili drvo na desnu stranu, gurnite donji kraj drveta ulijevo.

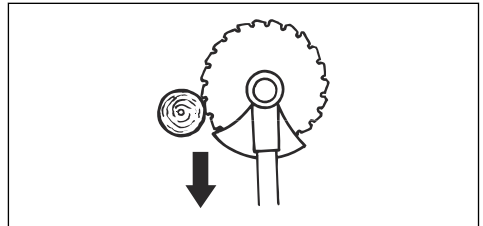
1. Dajte puni gas.
2. Postavite sječivo noža na drvo kao što je prikazano na slici.
3. Nagnite sječivo noža i snažno ga pritisnite dijagonalno dolje lijevo. U isto vrijeme gurajte drvo štitnikom noža.



### Obaranje drveta prema naprijed

Da biste oborili drvo prema naprijed, gurnite donji kraj drveta unazad.

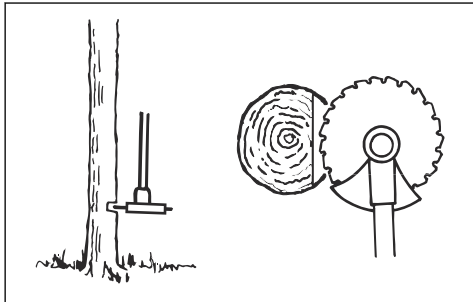
1. Dajte puni gas.
2. Postavite sječivo noža na drvo kao što je prikazano na slici.
3. Brzim pokretom povucite sječivo noža prema naprijed.



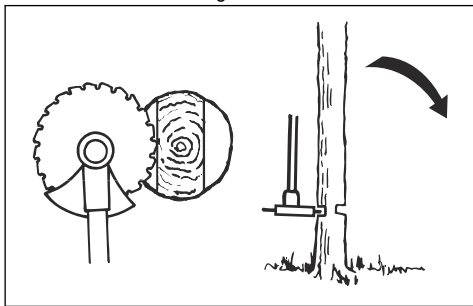
### Obaranje velikog drveća

Veliko drveće se mora rezati s 2 strane.

1. Pregledajte u kojem smjeru će drvo pasti.
2. Dajte puni gas.
3. Prvo sijecite na strani drveta na koju će drvo pasti.



4. Režite kroz drvo s druge strane.



**OPREZ:** Ako se sječivo noža zaglavi, nemojte povlačiti proizvod naglim pokretima. Tako se može oštetiti sječivo noža, konusni pogon, vratilo ili drška. Pustite ručke, držite vratilo s 2 ruke i pažljivo izvucite proizvod.

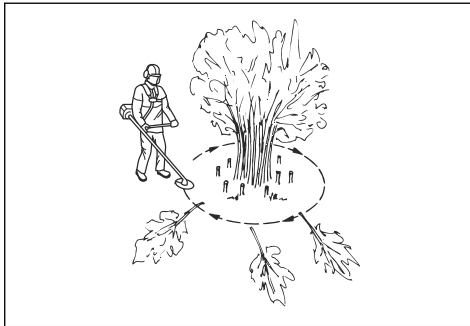
**Napomena:** Koristite više reznog pritiska za obaranje malog drveća. Koristite manje reznog pritiska za obaranje velikog drveća.

## Rezanje šipražja sječivom noža

Da biste oborili stablo na lijevu stranu, gurnite donji kraj drveta udesno.

- Odrežite tanko drveće i šipražje.
- Pomjerajte proizvod s jedne strane na drugu.
- Posijecite mnogo drveća jednim pokretom.

- Za grupu tankog drveća:



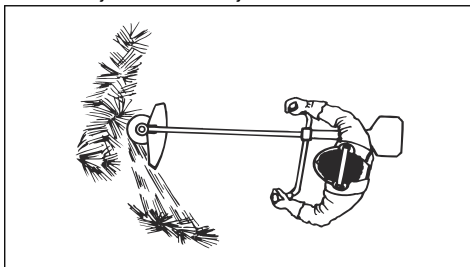
- a) Režite drveće s vanjske strane prema gore.
- b) Režite drveće s vanjske strane do određene visine.
- c) Režite iz sredine. Ako ne možete prići sredini, režite drveće s vanjske strane prema gore i pustite da padnu. Ovim se smanjuje opasnost od zaglavljivanja sječiva noža.

## Raščišćavanje trave nožem za travu



**OPREZ:** Nemojte koristiti sječiva noža i noževe za travu na drveću. Sječiva za travu i noževe za travu koristite samo za visoku ili otpornu travu.

- Pomjerajte proizvod s jedne strane na drugu.
- Prilikom rezanja, počnite kretanje s desna na lijevo. Pomjerite proizvod udesno prije ponovnog rezanja.
- Režite lijevom stranom sječiva za travu.



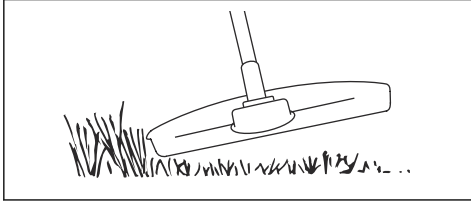
- Postavite sječivo za travu pod uglom u lijevo kako bi trava ravnomjerno padala. Tako će biti lakše pokupiti travu.
- Stojite stabilno raširenih nogu.
- Pomjerite se prema naprijed nakon svakog pomjeranja udesno i vodite računa da uvijek imate stabilan položaj prije narednog rezanja.
- Prsten ležaja držite lagano pritisnutim o tlo kako biste bili sigurni da sječivo za travu neće udariti u zemlju.
- Poštujte ova uputstva kako biste smanjili opasnost od omotavanja odrezanog materijala oko sječiva za travu:

- a) Dajte puni gas.
- b) Nemojte prilikom pomjeranja proizvoda slijeva nadesno pomjerati sječivo za travu kroz odrezani materijal.
- Prije skupljanja odrezanog materijala, zaustavite motor i uklonite proizvod iz naramenice. Položite proizvod na tlo.

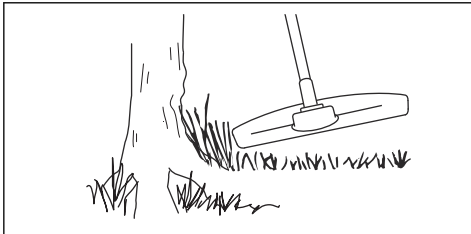
## Podrezivanje trave glavom za podrezivanje

### Trimovanje trave

1. Glavu za podrezivanje držite nakošeno odmah iznad tla. Nemojte gurati flaks trimera u travu.



2. Smanjite dužinu flaksa trimera za 10–12 cm / 4–4,75 inča.
3. Smanjite brzinu motora kako biste smanjili rizik od oštećenja biljaka.
4. Koristite 80% gasa kada režete travu u blizini predmeta.



### Uklanjanje trave

1. Držite glavu trimera iznad tla.
2. Nagnite glavu trimera.
3. Režite krajem linije trimera oko predmeta u radnom području.

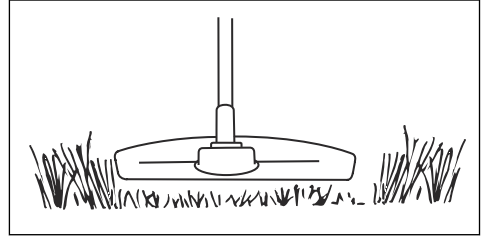


**OPREZ:** Režite travu. Drugi predmeti u koje linija trimera udari povećavaju istrošenost linije trimera.

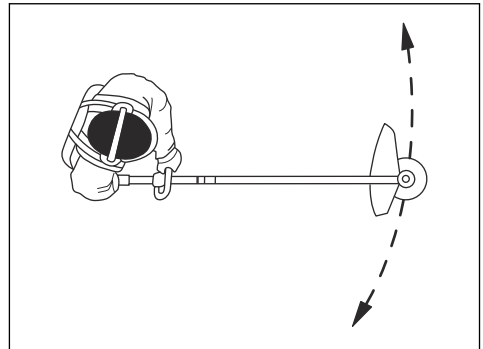
4. Koristite 80% brzine kad režete i uklanjate vegetaciju. To povećava istrošenost glave i linije trimera.

## Rezanje trave

1. Pazite da flaks za trimer bude paralelan s tlom kada kosite travu.



2. Nemojte pritiskati glavu trimera u tlo. To može izazvati oštećenje na proizvodu.
3. Pomjerajte proizvod s jedne na drugu stranu dok kosite travu. Koristite punu brzinu.



## Sakupljanje trave

Zračna struja iz rotirajućeg silka trimera može se koristiti za uklanjanje trave iz područja.

1. Držite glavu trimera i flaks trimera paralelno sa tlom i iznad tla.
2. Dajte puni gas.
3. Pomjerajte glavu trimera s jedne strane na drugu i čistite travu.



**UPOZORENJE:** Očistite poklopac glave trimera svaki put kad postavljate novi silik trimera kako biste spriječili neuravnoteženost i vibracije na ručkama. Također provjerite i ostale dijelove glave trimera i očistite ih po potrebi.

---

# Održavanje

---

## Uvod



---

**UPOZORENJE:** Prije održavanja proizvoda pročitajte s razumijevanjem poglavlje o sigurnosti.

---



## Plan održavanja

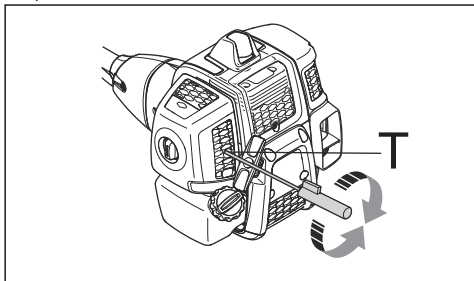
Održavanje	Dnevno	Sedmično	Mjesečno
Očistite vanjsku površinu.	X		
Pregledajte ima li na ramenicama oštećenja.	X		
Provjerite blokadu poluge gasa i polugu gasa. Pogledajte odjeljak <i>Provjera blokade poluge gasa na strani 593.</i>	X		
Pregledajte ima li oštećenja na ručici i dršci i provjerite jesu li ispravno postavljene.	X		
Provjerite prekidač za zaustavljanje. Pogledajte odjeljak <i>Provjera prekidača za zaustavljanje na strani 594.</i>	X		
Vodite računa da se rezni dodatak ne okreće pri radu u praznom hodu.	X		
Čišćenje filtera zraka. Zamijenite ga ako je oštećen.	X		
Pregledajte ima li na štitniku reznog dodatka oštećenja ili pukotina.	X		
Provjerite je li sječivo noža ili sječivo za travu pravilno postavljeno. Provjerite je li sječivo noža ili sječivo za travu oštro i bez oštećenja.	X		
Pregledajte ima li na glavi trimera oštećenja i pukotina. Zamijenite ga ako je oštećen.	X		
Pritegnite protumaticu do kraja na reznim dodacima s protumaticom.	X		
Pregledajte ima li oštećenja na štitniku za transport i vodite računa da se može pravilno spojiti.	X		
Pritegnite matice i vijke.	X		
Pregledajte ima li curenja na motoru, rezervoaru za gorivo i dovodu goriva.	X		
Pregledajte ima li oštećenja na starteru motora i konopu za pokretanje.		X	
Provjerite svječicu. Pogledajte odjeljak <i>Da biste provjerili svječicu na strani 611.</i> Zamijenite svječicu ako je to potrebno. Provjerite da li je na svjećici postavljen potiskivač.		X	
Očistite vanjsku površinu karburatora i prostor oko njega.		X	
Vodite računa da konusni pogon bude ispravno napunjen mazivom. Pogledajte odjeljak <i>Konusni pogon na strani 611.</i>		X	
Pregledajte ima li na filteru za gorivo zaprljanja, te ima li na crijevu za gorivo pukotina ili drugih oštećenja. Zamijenite ih po potrebi.			X
Ispitajte sve kablove i spojeve.			X
Zamijenite svječicu. Provjerite da li je na svjećici postavljen potiskivač.			X

## Podešavanje brzine u praznom hodu

Igla visoke brzine i igla niske brzine trajno su postavljene i ne mogu se podesiti. Prazan hod je jedina funkcija koja se može podesiti.

1. Pokrenite motor. i uvjerite se da je topao prije nego što počnete podešavati brzinu u praznom hodu.

- Okrenite vijak za broj obrtaja u praznom hodu u smjeru kazaljke na satu dok se rezni dodatak ne počne okretati.



- Okrenite vijak za broj obrtaja u praznom hodu u smjeru suprotnom od okretanja kazaljke sata dok se rezni dodatak ne zaustavi.
- Brzina u praznom hodu mora biti manja od brzine pri kojoj se rezni dodatak počinje okretati. Brzina u praznom hodu je pravilno namještena kada motor glatko radi u svakom položaju.

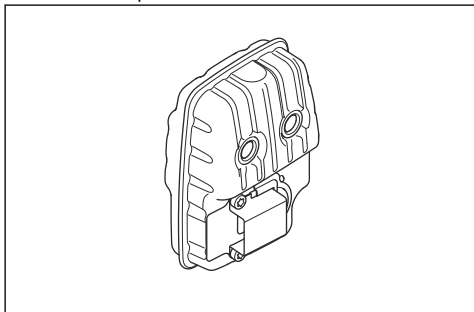
## Održavanje lonca auspuha

Lonac auspuha smanjuje nivo buke i usmjerava ispušne gasove dalje od rukovaoca.

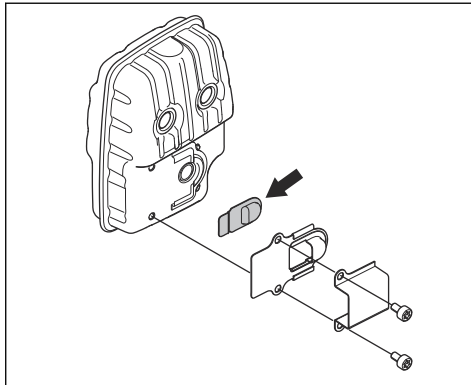


**UPOZORENJE:** Auspuh s katalizatorom se veoma zagrijava prilikom rada i ostat će vreo neko vrijeme nakon što zaustavite rad proizvoda. To se isto tako dešava i pri praznom hodu. Ukoliko dotaknete proizvod, može doći do opekotina. Mislite na opasnost od požara.

- Zaustavite proizvod i pustite da se ohladi.
- Uklonite auspuh.



- Uklonite vijke koji drže mrežicu svječiće.



- Očistite mrežicu svječiće ako je začepljena ili je zamijenite ako je oštećena.



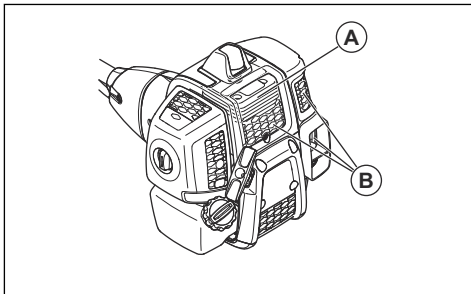
**OPREZ:** Ukoliko je mrežica svječiće oštećena, mora se zamijeniti. Nemojte koristiti proizvod ako na auspuhu nedostaje mrežica svječiće ili ako je oštećena.



**OPREZ:** Ako se mrežica svječiće često začepljuje, to može biti znak da je katalizator neispravan. Obratite se svom ovlaštenom servisu da pregleda auspuh. Začepljena mrežica svječiće će uzrokovati pregrijavanje te štetu na cilindru i klipu.

## Čišćenje/održavanje rashladnog sistema

Ovaj proizvod ima rashladni sistem. Prljav ili blokiran rashladni sistem može uzrokovati pregrijavanje proizvoda što može uzrokovati oštećenje klipa i cilindra. Provjeravajte i čeličnom četkom očistite rashladni sistem jednom sedmično ili u otežanim uslovima i češće. Rashladni sistem ima rashladna rebra na cilindru (A) i usisnik zraka (B).



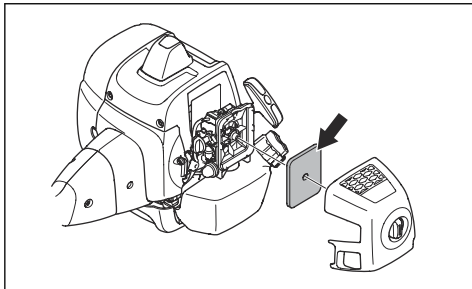
## Filter zraka

Prijav filter zraka može uzrokovati neispravan rad karburatora, poteškoće prilikom pokretanja, gubitak snage motora i habanje dijelova motora. Također dovodi do nepotrebne povećane potrošnje goriva. Očistite filter u periodu od 8 sati, ili češće ukoliko se proizvod koristi u prašnjavom okruženju.

**Napomena:** Nakon čišćenja ili zamjene filtera zraka možda će trebati izvršiti podešavanje motora. Pogledajte *Podešavanje brzine u praznom hodu na strani 609*.

### Čišćenje i pregled filtera za zrak

1. Uklonite filter za zrak.



2. Očistite filter za zrak od filca komprimiranim zrakom.

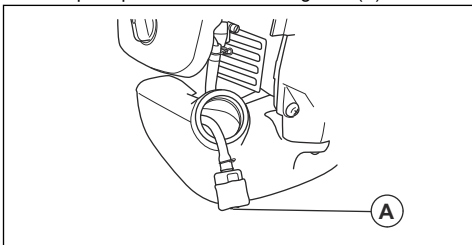


**OPREZ:** Zamijenite filtere za zrak od filca ako se ne mogu u potpunosti očistiti. Uvijek zamijenite oštećeni filter za zrak od filca.

3. Očistite unutrašnju površinu poklopca filtera za zrak. Koristite zrak pod pritiskom ili četku.

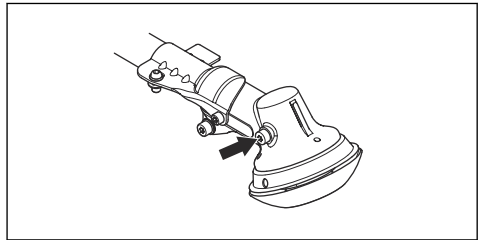
## Filter goriva

Kad dovod goriva u motor oslabi, provjerite jesu li čisti otvor na poklopcu rezervoara i filter goriva (A).



## Konusni pogon

Konusni pogon je napunjen ispravnom količinom maziva u fabrici. Ali, prije upotrebe proizvoda, vodite računa da su 3/4 konusnog pogona namazane mazivom. Koristite McCulloch specijalnu mast.



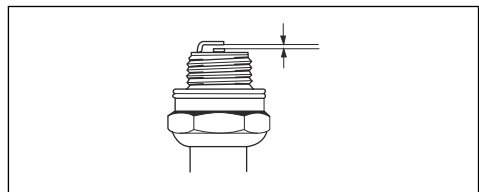
Mazivo u konusnom pogonu ne morate mijenjati osim ako ne popravljate konusni pogon.

### Da biste provjerili svječicu



**OPREZ:** Uvijek koristite preporučenu vrstu svječica. Neispravan tip svječice može izazvati oštećenje na proizvodu.

- Provjerite svječicu ako motor ima slabu energiju, ako nije lako pokrenuti ili ako ne radi ispravno na brzini pri praznom hodu.
- Da biste smanjili opasnost od neželjenih materijala na elektrodama svječice, poštujujte ova uputstva:
  - a) Uvjerite se da je brzina u praznom hodu ispravno podešena.
  - b) Uvjerite se da je mješavina goriva ispravna.
  - c) Uvjerite se da je filter za zrak čist.
- Ako je svječica zaprljana, očistite je i uvjerite se da razmak elektroda je ispravan, vidite *Tehnički podaci na strani 611*.



- Zamijenite svječicu ako je to potrebno.

## Tehnički podaci

	B40 B Elite	B40 BT Elite
Motor		

	<b>B40 B Elite</b>	<b>B40 BT Elite</b>
Volumen cilindra cm <sup>3</sup>	40,1	40,1
Prečnik cilindra, Ø mm	40,5	40,5
Dužina zamaha cilindra, mm	31,1	31,1
Broj obrtaja u praznom hodu, o/min	3000	3000
Preporučena maksimalna brzina, o/min	12000	12000
Brzina izlazne osovine, o/min	8220	8220
Maks. snaga motora, prema ISO 8893, kW pri o/min	1,5 pri 9000	1,5 pri 9000
<b>Sistem paljenja</b>		
Svjećica	NGK CMR7H-10	NGK CMR7H-10
Zazor elektroda, mm	0,9-1,0	0,9-1,0
<b>Sistem napajanja gorivom i podmazivanje</b>		
Proizvođač/vrsta karburatora	Ruixing H225D-	Ruixing H225D-
Kapacitet rezervoara za gorivo, l/cm <sup>3</sup>	1 / 1000	1 / 1000
<b>Težina</b>		
Bez goriva, reznog dodatka i štitnika, kg	7,3	7,4
<b>Emisija buke<sup>67</sup></b>		
Nivo jačine zvuka mjeren u dB (A)	112	112
Nivo jačine zvuka, garantirani L <sub>WA</sub> dB (A)	118	118
<b>Nivo jačine zvuka<sup>68</sup></b>		
Ekvivalentni nivo pritiska zvuka na uhu operatera, mjeren prema EN/ISO 11806 i ISO 22868, dB(A), min./maks.		
Opremljena trimi glavom (originalna)	100	100
Opremljena sječivom za travu (originalnim)	99	99
Opremljeno sječivom noža (original)	–	99
<b>Nivoi vibracija<sup>69</sup></b>		
Ekvivalentni nivoi vibracije (a <sub>hv, eq</sub> ) na ručkama, mjereni prema EN ISO 11806 i ISO 22867, m/s <sup>2</sup>		
Opremljeno glavom trimera (originalna), lijevo/desno	3,4 / 4,4	3,4 / 4,4
Opremljeno sječivom za travu (originalnim), lijevi/desni	5,2 / 5,1	5,2 / 5,1
Opremljeno sječivom noža (original), lijevo/desno	–	4,5 / 4,2

<sup>67</sup> Emisije buke u okruženju mjerene kao jačina zvuka (L<sub>WA</sub>) u skladu s Direktivom EC 2000/14/EZ. Navedeni nivo jačine zvuka izmjeren je s originalnim dodatkom za rezanje koji proizvodi najveći nivo. Razlika između garantirane i izmjerene jačine zvuka je u tome da garantirana jačina zvuka obuhvata i disperziju rezultata mjerenja i varijacije između različitih mašina istog modela u skladu s Direktivom 2000/14/EZ.

<sup>68</sup> Zabilježeni podaci ekvivalentnog nivoa pritiska zvuka posjeduju tipičnu statičku disperziju (standardno odstupanje) od 1 dB(A).

<sup>69</sup> Objavljeni podatak za nivo vibracija ima tipičnu statističku disperziju (standardno odstupanje) od 1 m/s<sup>2</sup>.

<b>B40 B Elite, B40 BT Elite</b>		
<b>Odobreni pribor</b>	<b>Tip</b>	<b>Štitnik reznog dodatka, br. dijela</b>
Rupe središta kružne pile/noža, Ø 25,4 mm		
Navoj osovine noža M12		
Nož/rezač za travu	Nož za travu 255-4, 1" ( Ø 255, 4 zupca)	580 30 50-01
	Nož za travu 255-3 (Ø 255, 3 zubaca)	580 30 50-01
Sječivo noža	Kružna pila 200-22 (zub ø 200-22)	581 33 84-01
Trimi glava	P35	580 30 50-01
Prsten ležaja	Fiksan	-

---

## Izjava EK o usklađenosti

---

### Izjava o usklađenosti s propisima EZ

Husqvarna AB, SE-561 82 Huskvarna, Švedska, tel: +46-36-146500, izjavljuje da su trimeri **McCullochB40 B Elite** sa serijskim brojevima iz 2021. godine i kasnije (godina je jasno navedena na pločici kategorizacije, nakon koje je naveden serijski broj), usklađene sa zahtjevima DIREKTIVE VIJEĆA:

- od 17. maja 2006. godine "za mašinski dio" **2006/42/EZ**
- od 26. februara 2014. godine "u vezi s elektromagnetskom kompatibilnošću" **2014/30/EU**
- od 8. maja 2000. godine "za emisiju buke u životnu sredinu" **2000/14/EC**. Procjena usklađenosti prema Aneksu V. Za informacije koje se tiču emisije buke pogledajte poglavlje Tehnički podaci.
- od 8. juna 2011. "o ograničenju upotrebe određenih opasnih tvari u električnoj i elektronskoj opremi" **2011/65/EU**.

Primijenjeni su sljedeći standardi:

**EN ISO 12100:2010, CISPR 12:2007+A1:2009, EN ISO 14982:2009, EN ISO 11806-1:2011, EN IEC 63000:2018**

RISE SMP Svensk Maskinprovning AB, Box 7035, SE-750 07 Uppsala, Sweden je u ime kompanije Husqvarna AB AB izvršio vlastito ispitivanje. Certifikati su izdani pod brojevima: **SEC/12/2339** - B40 B Elite, B40 BT Elite

RISE SMP Svensk Maskinprovning AB je također potvrdila saglasnost s dodatkom V direktive vijeća 2000/14/EG.

Huskvarna, 2020-08-25



Per Martinsson, menadžer razvoja (Ovlašteni predstavnik kompanije Husqvarna AB i odgovorna osoba za tehničku dokumentaciju)

---

## Obsah

---

Úvod.....	615	Údržba.....	635
Bezpečnost.....	618	Technické údaje.....	638
Montáž.....	625	ES Prohlášení o shodě.....	640
Provoz.....	628	.....	0

---

## Úvod

---

### Popis výrobku

Tento výrobek je křovinořez se spalovacím motorem.

Nepřetržitě pracujeme na tom, abychom zvýšili vaši bezpečnost a efektivitu při používání. Další informace získáte u svého servisního prodejce.

### Doporučené použití

Aby bylo možné posekat různé typy porostu, výrobek je možné používat s pilovým kotoučem, nožem na trávu nebo strunovou hlavou. Nepoužívejte výrobek k jiným činnostem než je vyžínání trávy, vyžínání travního

a prořezávání lesního porostu. K řezání vláknitých typů dřevin používejte pilový kotouč. K sečení trávy používejte nůž na trávu nebo strunovou hlavu.

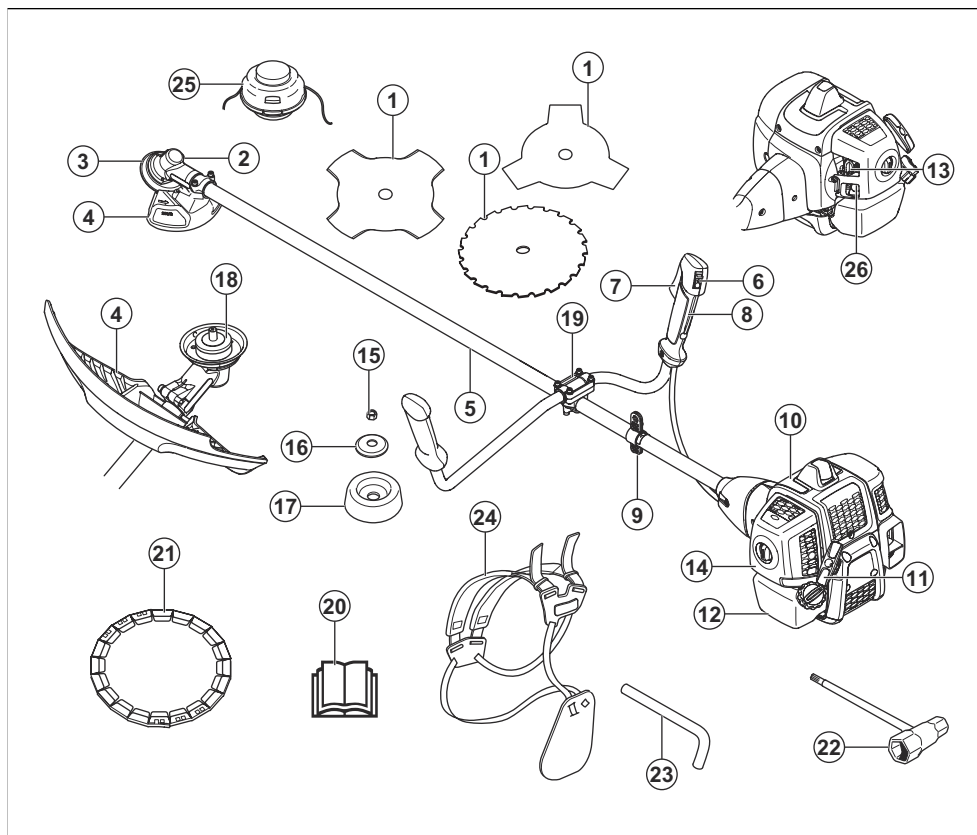
---

**Povšimněte si:** Použití může být upraveno národními nebo místními předpisy. Dodržujte příslušné předpisy.

---

Výrobek používejte výhradně s příslušenstvím, které doporučuje výrobce. Další informace naleznete v části *Technické údaje na strani 638*.

## Popis výrobku



1. Kotouč (ne pro všechny trhy)
2. Uzávěr mazacího otvoru, úhlová převodovka
3. Úhlová převodovka
4. Kryt řezacího nástavce
5. Hřídel
6. Vypínač
7. Páčka plynu
8. Pojistka páčky plynu
9. Úchytka popruhu
10. Kryt válce
11. Rukojeť startovací šňůry
12. Palivová nádrž
13. Ovládání sytiče
14. Kryt vzduchového filtru
15. Pojistná matice
16. Pomocná příruba
17. Opěrná miska
18. Hnací kotouč

19. Úchytka řídkétky
20. Návod k používání
21. Převodní kryt (ne pro všechny trhy)
22. Nástrčný klíč
23. Pojistný čep (pro výrobky bez šestihřanného klíče)
24. Popruh
25. Strunová hlava
26. Pomocná palivová pumpička

## Symbole na výrobku



**VAROVÁNÍ!** Tento výrobek je nebezpečný. Pokud není výrobek používán obezřetně a řádně, může dojít k zranění nebo usmrcení obsluhy či osob v okolí. Aby se zabránilo zranění obsluhy a osob v okolí, přečtěte si a dodržujte všechny bezpečnostní pokyny uvedené v návodu k používání.





Před použitím si pozorně prostudujte tento návod k používání a nepoužívejte výrobek, pokud návodu zcela nerozumíte.



Používejte ochrannou přilbu v místech, kde hrozí pád předmětů. Vždy používejte schválenou ochranu sluchu. Vždy používejte schválenou ochranu očí.



Používejte schválené ochranné rukavice.



Používejte odolnou obuv s protiskluzovou podrážkou.



Výrobek může způsobit vyvržení předmětů a následné zranění.



Maximální otáčky výstupního hřídele.



Během používání výrobku udržujte minimální vzdálenost 15 m (50 stop) od osob a zvířat.



Pokud řezací zařízení přijde do kontaktu s předmětem, který nemůže okamžitě přerušit, hrozí riziko zpětného vrhu kotouče. Výrobek může amputovat části těla. Během používání výrobku udržuje minimální vzdálenost 15 m (50 stop) od osob a zvířat.



Používejte pouze ohebnou žací strunu. Nepoužívejte kovové žací prvky. Tato výstraha musí být na příslušenství travního krytu.



Šipky ukazují omezení pro polohu rukojeti.



Pomocná palivová pumpička.



Doplňte palivo.



Sytič.



Emise hluku do životního prostředí podle směrnice EU 2000/14/ES a podle nařízení o regulaci hluku v australském Novém Jižním Walesu „Protection of the Environment Operations (Noise Control) Regulation 2017“. Údaje o emisích hluku naleznete na štítku stroje a v kapitole *Technické údaje na strani 638*.



Výrobek odpovídá příslušným směrnícím ES.

yyyywwxxxx

Typový štítek s výrobním číslem nebo natištěné číslo. **yyyy** znamená rok výroby a **ww** znamená týden výroby.

**Povšimněte si:** Další symboly/štítky na produktu se týkají certifikačních požadavků pro další komerční oblasti.

## Odpovědnost za výrobek

Jak uvádí zákon o odpovědnosti za výrobek, neneseme odpovědnost za žádnou škodu způsobenou našim výrobkem, pokud:

- byl výrobek nesprávně opraven.
- byl výrobek opraven pomocí součástí od jiného výrobce nebo součástí, které nejsou výrobcem schváleny.
- má výrobek příslušenství od jiného výrobce nebo příslušenství, které není výrobcem schváleno.
- výrobek nebyl opraven ve schváleném servisním středisku nebo schváleným odborníkem.

## Emise Euro V



**VÝSTRAHA:** Manipulace s motorem vede k zneplatnění typového schválení EU tohoto výrobku.

---

# Bezpečnost

---

## Definice týkající se bezpečnosti

Níže uvedené definice uvádí úroveň vážnosti jednotlivých signálních slov.



**VÝSTRAHA:** Zranění osob.



**VAROVÁNÍ:** Poškození výrobku.

**Povšimněte si:** Díky těmto informacím je používání výrobku snazší.

## Obecné bezpečnostní pokyny



**VÝSTRAHA:** Před použitím výrobku si přečtěte následující varování.

- Tento výrobek vytváří během provozu elektromagnetické pole. Toto pole může za určitých okolností narušovat funkci aktivních či pasivních implantovaných lékařských přístrojů. Za účelem snížení rizika možného zranění nebo smrtelného úrazu doporučujeme osobám s implantovanými lékařskými přístroji poradit se před použitím výrobku s lékařem a s výrobcem implantovaného lékařského přístroje.
- Nepoužívejte výrobek, jste-li unavení, nemocní nebo pod vlivem alkoholu, drog nebo léků. To by mohlo ovlivnit váš zrak, ostražitost, koordinaci a úsudek.
- Nepoužívejte výrobek za špatného počasí, například v husté mlze, prudkém dešti, silném větru nebo silném mrazu. Práce s výrobkem za nepříznivého počasí je únavná a často s sebou nese zvýšené nebezpečí, např. zledovatělý terén nebo nepředvídatelný směr pádu stromu.
- Buďte stále opatrní a používejte zdravý rozum. Pokud si nejste po přečtení návodu k používání jisti ohledně pracovních podmínek nebo provozu výrobku, obraťte se na servisního pracovníka.
- Nechávejte-li výrobek bez dozoru, sejměte koncovku kabelu zapalovací svíčky.

## Bezpečnostní pokyny pro montáž



**VÝSTRAHA:** Před použitím výrobku si přečtěte následující varování.

- Při montáži výrobku a řezacího nástavce použijte ochranné rukavice.

- Před montáží výrobku vyjměte ze zapalovací svíčky koncovku kabelu zapalovací svíčky.
- Před uvedením výrobku do provozu zkontrolujte, zda je namontována správná rukojeť a kryt řezacího nástavce.
- Vadný nebo nesprávný kryt řezacího nástavce může způsobit zranění. Nikdy nepracujte se sekacím nástavcem, pokud není opatřen schváleným krytem sekacího nástavce.
- Před nastartováním výrobku řádně připevněte kryt spojky a hřídel.
- Hnací kotouč a pomocná příruba musí být řádně instalovány ve středovém otvoru řezacího nástavce. Nesprávné připevnění řezacího nástavce může způsobit zranění nebo usmrcení osob.
- Připevněte nosný popruh k výrobku, aby nedošlo ke zranění obsluhy nebo jiných osob.

## Bezpečnostní pokyny pro provoz

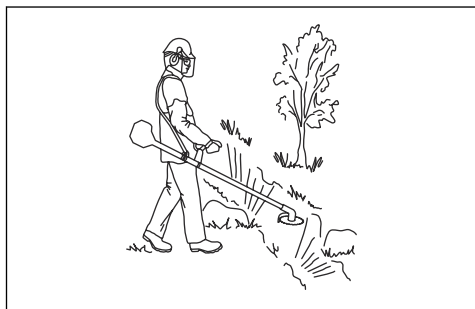


**VÝSTRAHA:** Před použitím výrobku si přečtěte následující varování.

- Před použitím výrobku je nutné, abyste pochopili rozdíl mezi prořezáváním lesního porostu, vyžínáním travního porostu a vyžínáním trávy.
- Používejte osobní ochranné prostředky uvedené v části *Osobní ochranné prostředky na strani 619*.
- Dlouhodobé vystavování působení hluku může vést k trvalé ztrátě sluchu. Vždy používejte schválenou ochranu sluchu.
- Pokud používáte ochranu sluchu, dávejte pozor na varovné signály a hlasité zvuky. Po vypnutí motoru vždy sundejte ochranu sluchu.
- Nikdy nepoužívejte výrobek, pokud je upraven nebo vadný.
- Aby se zabránilo nebezpečí úrazu elektrickým proudem, kontrolujte, zda nejsou koncovka kabelu zapalovací svíčky a kabel zapalování vadné.
- Prohlédněte pracovní oblast, aby bylo zajištěno, že se zde nevyskytují žádné osoby, zvířata nebo předměty, která by mohly negativně ovlivnit bezpečnost provozu výrobku.
- Prohlédněte pracovní oblast, aby bylo zajištěno, že nemohou být osoby nebo zvířata zasaženy řezacím nástavcem nebo předměty odmrštěnými od nástavce.
- Nepoužívejte výrobek v situacích a na místech, kde nemůžete v případě nehody získat pomoc.
- Nepoužívejte výrobek bez schváleného krytu řezacího nástavce.
- Při práci udržujte osoby a zvířata ve vzdálenosti minimálně 15 m (50 stop). Než se otočíte s výrobkem, vždy se podívejte dozadu. Okamžitě

zastavte výrobek, pokud nějaká osoba nebo zvíře vstoupí do 15m (50 stop) bezpečnostní zóny. Pokud musí v jedné pracovní oblasti pracovat více lidí, udržujte bezpečnou vzdálenost, která představuje alespoň dvojnásobek výšky stromu, a minimálně 15 m (50 stop).

- Zkontrolujte pracovní oblast. Odstraňte volné předměty, jako jsou kameny, střeby, hřebíky, ocelové dráty, šňůry apod., které by mohly být odmrštěny řezacím nástavcem nebo se něj mohly namotat.
- Zkontrolujte, zda se můžete pohybovat bezpečně a máte bezpečný postoj. Zkontrolujte prostor kolem sebe, zda se na místě nevyskytují překážky, jako jsou kofeny, kameny, větve a díry. Při práci na svazích buďte opatrní.



- Nenatahujte se příliš daleko. Vždy udržujte stabilní postoj a dobrou rovnováhu.
- Před nastartováním výrobku jej položte na rovný povrch minimálně 3 m (10 stop) od nádoby s palivem a místa, kde jste palivo doplňovali. Zkontrolujte, zda nejsou poblíž předměty, které by mohly přijít do styku s řezacím nástavcem.
- Pokud se řezací nástavec otáčí při volnoběžných otáčkách, nechte výrobek seřítit v servisu. Nepoužívejte výrobek, dokud není správně seřízen nebo opraven.
- Dejte pozor na odmrštěné předměty. Vždy používejte schválenou ochranu očí a držte se v bezpečné vzdálenosti od krytu řezacího nástavce. Kameny a další malé předměty mohou být vystřeleny do očí a způsobit oslepnutí nebo jiná zranění.
- Nikdy neodkládejte výrobek se zapnutým motorem, aniž byste jej měli pod plnou kontrolou.
- Neodstraňujte posečený nebo pořezaný materiál ani jej nedovolte odstraňovat jiným osobám, pokud je motor zapnutý nebo se řezací zařízení otáčí; může dojít k vážnému zranění.
- Vždy zastavte motor a zkontrolujte, zda se řezací zařízení neotáčí, než se pokusíte odstranit materiál namotaný na hřídeli náhonu kotouče nebo zachycený mezi krytem řezacího nástavce a řezacím nástavcem.

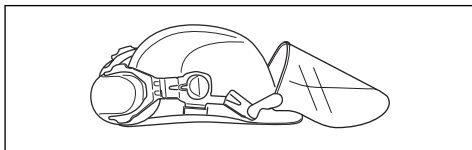
- Při odstraňování materiálu z okolí řezacího zařízení buďte opatrní. Úhlová převodovka se během provozu zahřívá a může způsobit popálení.
- Výfukové plyny z motoru jsou horké a mohou obsahovat jiskry. Nebezpečí požáru. Buďte opatrní v blízkosti suchého a hořlavého materiálu.
- Výrobek nikdy nepoužívejte v uzavřených prostorech nebo v prostorech bez náležitého větrání. Výfukové plyny obsahují oxid uhelnatý – jedovatý a velmi nebezpečný plyn bez zápachu.
- Před přesunem do nové pracovní oblasti vypněte motor. Před přemístěním zařízení vždy nasadte přepravní kryt.
- Nadměrné vystavení vibracím může u osob se zhoršenou funkcí krevního oběhu vést k poruchám oběhového nebo nervového systému. V případě, že byste pocítili příznaky obtíží způsobených nadměrným vystavením vibracím, obraťte se na svého lékaře. Mezi tyto příznaky patří strnulost končetin, ztráta citu, mravenčení, píchání, bolest, zeslábnutí, změna barvy nebo vzhledu pokožky. Tyto příznaky se obvykle objevují v prstech, na rukou nebo v zápěstí. Riziko se může zvýšit při nízkých teplotách.

## Osobní ochranné prostředky

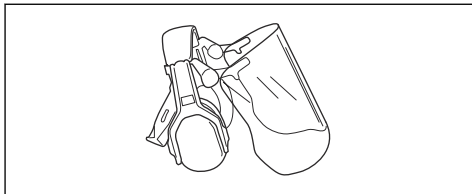


**VÝSTRAHA:** Před použitím výrobku si přečtěte následující varování.

- Při použití výrobku je nutné vždy používat schválené osobní ochranné prostředky. Osobní ochranné prostředky nemohou zcela eliminovat nebezpečí úrazu, ale v případě nehody pomáhají snížit míru poranění. Požádejte prodejce, aby vám pomohl vybrat správné vybavení.
- Pokud jsou stromy v pracovní oblasti vyšší než 2 m (6,5 stopy), použijte přílbu.

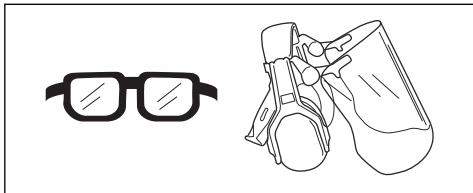


- Vždy používejte schválenou ochranu sluchu.

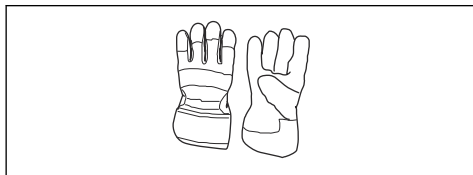


- Vždy používejte schválenou ochranu očí. Použijete-li štít, je nutno použít i schválené ochranné brýle. Schválené ochranné brýle musí být v souladu

s normou ANSI Z87.1 v USA nebo EN 166 v zemích EU.



- Při určitých činnostech používejte rukavice, například při nasazování, prohlídce nebo čištění stříhacího zařízení.



- Používejte ochrannou obuv s ocelovou špičkou a protiskluzovou podrážkou.



- Noste oblečení vyrobené z pevné tkaniny. Vždy používejte silné, dlouhé kalhoty a dlouhé rukávy. Nepoužívejte volné oblečení, které se může zachytit o keře nebo větve. Nenoste šperky, krátké kalhoty nebo sandály. Nepracujte naboso. Stáhněte si vlasy bezpečně nahoru nad úroveň ramen.
- Mějte při ruce lékárníčku.



## Bezpečnostní zařízení na produktu

Informace o umístění bezpečnostních zařízení viz *Ochrana řezacího nástavce na strani 621*.



**VÝSTRAHA:** Před použitím výrobku si přečtěte následující varování.

- Nepoužívejte výrobek, jehož bezpečnostní zařízení jsou vadná! Pravidelně kontrolujte bezpečnostní

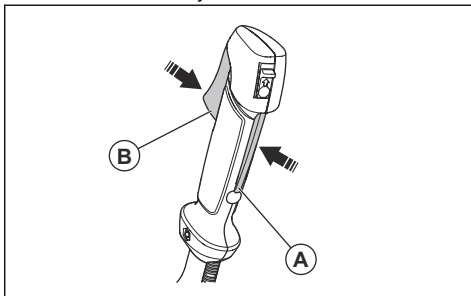
zařízení a provádějte jejich údržbu. Pokud je zařízení vadné, obraťte se na servis McCulloch.

- Neprovádějte úpravy bezpečnostních zařízení. Nepoužívejte výrobek, pokud nejsou ochranné kryty, bezpečnostní spínače nebo dalších ochranné prostředky připevněné nebo pokud jsou vadné.
- Pro servis a opravy výrobku, zejména bezpečnostních zařízení, je nezbytné speciální školení. Pokud bezpečnostní zařízení nespĺňují při kontrolách uvedených v tomto návodu k používání podmínky, obraťte se na servis. Zaručujeme dostupnost profesionálních oprav a servisu. Pokud neposkytuje prodejce servisní služby, požádejte jej o informace o nejbližším servisu.
- Nepoužívejte řezací nástavec bez schváleného a správně upevněného krytu řezacího nástavce. Viz *Technické údaje na strani 638*.

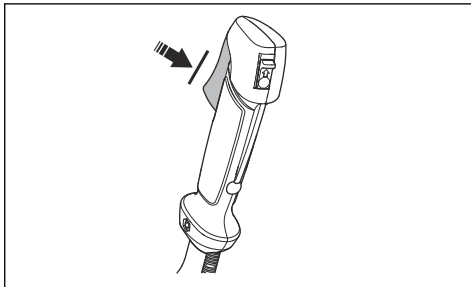
## Kontrola pojistky páčky plynu

Pojistka páčky plynu má za účel zabránit neúmyslnému přidání plynu.

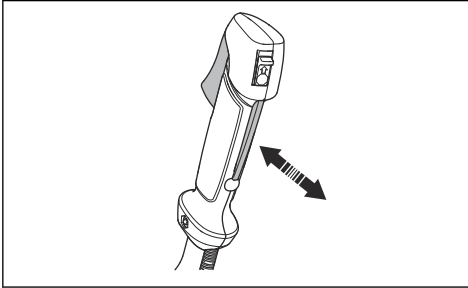
1. Stiskněte pojistku páčky plynu (A) a zkontrolujte, zda se uvolní ovládání plynu (B). Když rukojeť pustíte, ovládání plynu i pojistka páčky plynu se vrátí do původní polohy. K tomu dojde díky dvěma vratným pružinám. Toto uspořádání zabezpečí, že se páčka plynu automaticky zajistí v poloze, při které běží motor ve volnoběžných otáčkách.



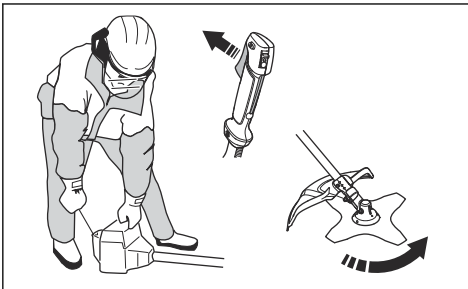
2. Zkontrolujte, zda se při uvolnění pojistky páčky plynu zajistí ovládání plynu v poloze volnoběžných otáček.



3. Stiskněte pojistku páčky plynu dolů a zkontrolujte, zda se po uvolnění vrátí do výchozí polohy.

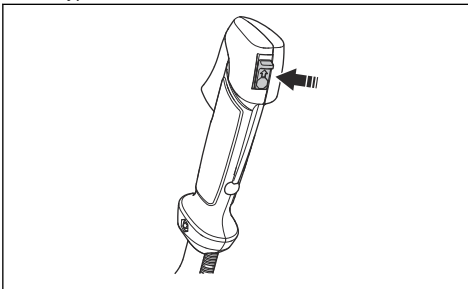


4. Zkontrolujte, zda se ovládání plynu a pojistka páčky plynu volně pohybují a zda jejich vratné pružiny fungují správně.
5. Nastartujte výrobek (viz pokyny v části *Zapnutí a vypnutí na strani 630*) a přidejte plný plyn.
6. Uvolněte ovládání plynu a ověřte, zda se sekací nástavec zastavil a zůstává v klidu. Pokud se sekací nástavec pohybuje, když je páčka plynu v neutrální poloze, seřídte karburátor. Přečtěte si pokyny v kapitole *Úprava volnoběžných otáček na strani 636*.



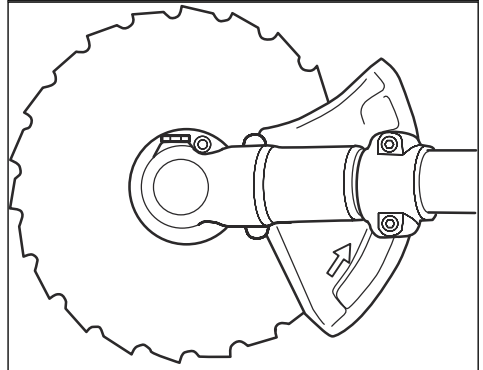
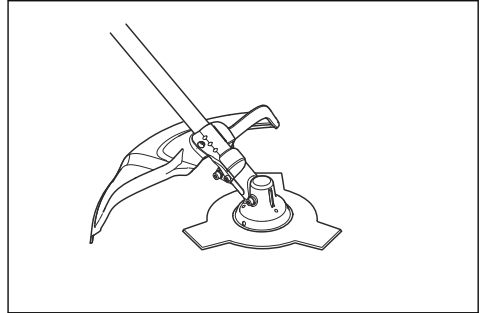
### Kontrola vypínače

1. Nastartujte motor.
2. Posuňte vypínač do polohy Stop a zkontrolujte, zda se vypne motor.



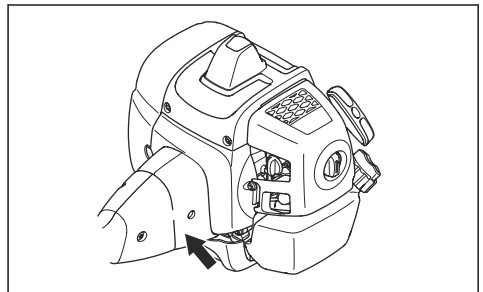
### Ochrana řezacího nástavce

Kryt sekacího nástavce brání vymrštění volných předmětů směrem k obsluze. Zkontrolujte, zda není kryt sekacího nástavce poškozený a případně ho vyměňte. Používejte pouze kryt schválený pro sekací nástavec.



### Kontrola systému tlumení vibrací

Systém tlumení vibrací snižuje vibrace v rukojetích na minimum. To usnadňuje používání výrobku.



1. Vypněte motor.
2. Proveďte vizuální kontrolu ohledně deformace a poškození, například prasklin.
3. Prvky systému tlumení vibrací musí být instalovány správně.

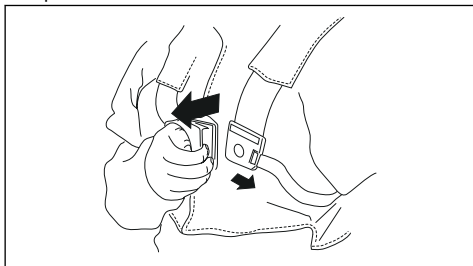
## Kontrola rychlorozepínacího mechanismu



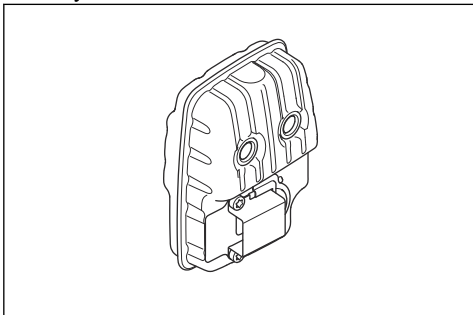
**VÝSTRAHA:** Nepoužívejte popruh s rozbitým rychlorozepínacím mechanismem.

Rychlorozepínací mechanismus umožňuje obsluhu v případě krizové situace rychle odepnout výrobek z nosného popruhu.

1. Vypněte motor.
2. Proveďte vizuální kontrolu ohledně poškození, například prasklin.
3. Rozepněte a zapněte rychlorozepínací mechanismus, aby bylo zajištěno, že funguje správně.



## Tlumič výfuku



- Nepoužívejte motor s poškozeným tlumičem. Poškozený tlumič zvyšuje úroveň hluku a nebezpečí požáru. Vždy mějte poblíž hasicí přístroj.
- Pravidelně kontrolujte, zda je k výrobku namontován tlumič.
- Nedotýkejte se běžícího motoru ani tlumiče. Motoru ani tlumiče se nedotýkejte ani nějakou dobu po zastavení motoru. Horký povrch může způsobit zranění.
- Horký tlumič může způsobit požár. Buďte opatrní, pokud výrobek používáte v blízkosti hořlavých kapalin a plynů.
- Pokud je tlumič poškozen, nedotýkejte se jeho součástí. Součásti mohou obsahovat karcinogenní chemikálie.

- Pokud je výrobek vybavený lapačem jisker, pravidelně lapač jisker čistěte.

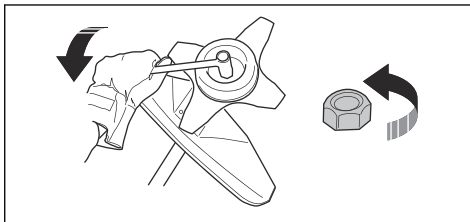
## Montáž a demontáž pojistné matice



**VÝSTRAHA:** Vypněte motor, použijte ochranné rukavice a při práci v blízkosti ostrých hran řezacího nástavce dávejte pozor.

Pojistná matice umožňuje upevnění některých typů sekacích nástavců. Pojistná matice má levotočivý závit.

- Při montáži utáhněte pojistnou matici proti směru otáčení sekacího nástavce.
- Při demontáži pojistné matice ji povolte ve směru otáčení sekacího nástavce.
- K povolení nebo utahení pojistné matice použijte nástrčný klíč s dlouhou násadou. Šipka na obrázku ukazuje oblast, kde byste měli používat nástrčný klíč.



**VÝSTRAHA:** Při povolování a dotahování pojistné matice může dojít k poranění o nůž. Při této činnosti se vždy ujistěte, že kryt nože brání poranění rukou.

**Povšimněte si:** Zkontrolujte, zda není možné otočit pojistnou matici rukou. Vyměňte matici, pokud nemá nylonový uzávěr odpor minimálně 1,5 Nm. Pojistnou matici je nutno vyměnit po přibližně 10 šroubováních.

## Řezací vybavení

Zvolte a udržujte řezací zařízení a:

- Dosáhnete maximálního řezného výkonu.
- Zvýšíte životnost řezacího vybavení.
- Řiďte se pokyny pro kontrolu, údržbu a servis tlumiče výfuku.
- Vždy používejte doporučený kryt pro řezací zařízení. Další informace naleznete v kapitole Technické údaje.



**VÝSTRAHA:** Používejte výhradně řezné vybavení spolu s krytem námi doporučeným! Další informace naleznete v kapitole Technické údaje. Viz pokyny pro

řezné vybavení, kde se uvádí správný způsob navíjení vyžínací struny a volby správného průměru vyžínací struny.



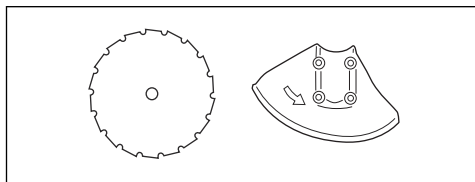
**VÝSTRAHA:** Nesprávné řezné vybavení zvyšuje nebezpečí úrazu.



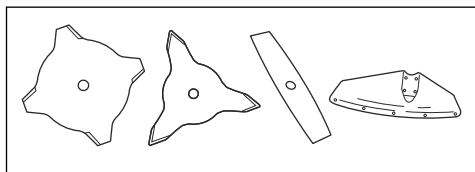
**VÝSTRAHA:** Než přistoupíte k práci na řezném vybavení, zastavte vždy motor. Vybavení pokračuje v otáčení i po puštění regláže plynu. Ujistěte se, že se řezací nástavec úplně zastavil, a odpojte koncovku kabelu zapalovací svíčky, než přistoupíte k práci s nástavcem.

### Žací zařízení

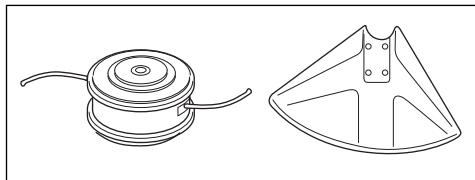
- K řezání vláknitých typů dřevin použijte pilový kotouč.



- K vyžínání hrubších travin použijte kotouče a nože na trávu.

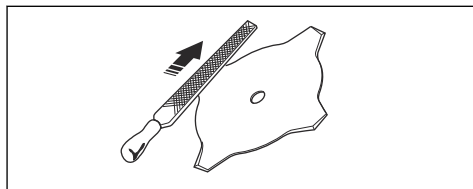


- K sečení trávy použijte strunovou hlavu.



- Použití nesprávně nabroušeného nebo vadného kotouče zvyšuje nebezpečí úrazu. Udržujte zuby kotouče dobře a správně nabroušené. Postupujte podle pokynů v části *Broušení vyžínacího nože a*

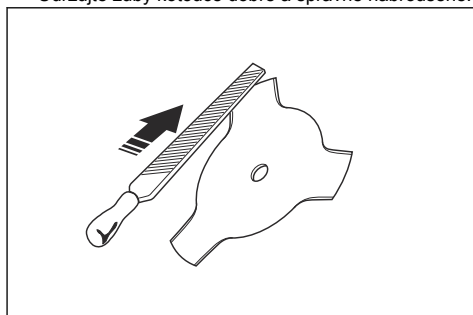
*travního kotouče na strani 624 a použijte doporučené vodítko pilníku.*



- Zkontrolujte řezací nástavec ohledně poškození a prasklin. Poškozený řezací nástavec vyměňte.
- Řezací nástavce používejte výhradně spolu s doporučenými kryty. Další informace jsou uvedeny v části *Technické údaje na strani 638.*

### Nože

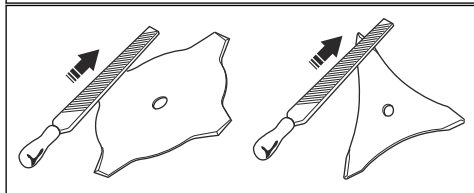
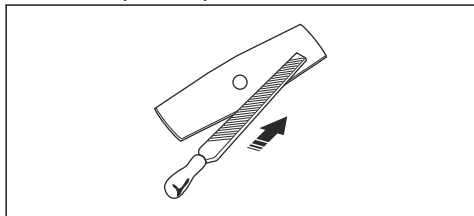
- Použijte schválené nože. Před použitím nože je nutné správně namontovat všechny potřebné díly. Ověřte, že montáž proběhla správně a že jste použili správné díly. Nesprávná montáž může způsobit uvolnění nože a vážné zranění obsluhy nebo osob v blízkosti.
- Při obsluze nebo údržbě nože noste ochranné rukavice.
- Při obsluze výrobku s nožem používejte ochranu hlavy.
- Nůž může způsobit zranění při točení po zastavení motoru nebo uvolnění páčky plynu. Před údržbou se vždy ujistěte, že se nůž zcela zastavil.
- Než přistoupíte k práci na řezacím nástavci, vypněte motor. Zkontrolujte, zda se řezací nástavec plně zastavil. Odpojte přívodní vodič od zapalovací svíčky.
- Udržujte zuby kotouče dobře a správně nabroušené.



- Nepoužívejte poškozený sekací nástavec.
- Při převozu nebo skladování výrobku na nůž nasadte přepravní kryt.

## Broušení vyžínacího nože a travního kotoče

- Všechny hrany kotočů a nožů na trávu se ostří rovnoměrně, aby byla zachována rovnováha. Použijte plochý pilník s jednosměrnými rovnoběžnými zářezy.

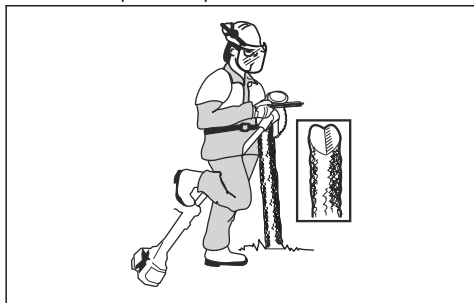


## Ostření pilového kotoče

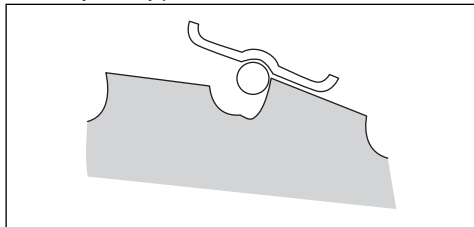


**VÝSTRAHA:** Vypněte motor. Používejte ochranné rukavice.

- Správný postup naostření kotoče je uveden v návodu dodaném s kotočem.
- Před ostřením se přesvědčte, zda má výrobek a kotoč správnou opěru.

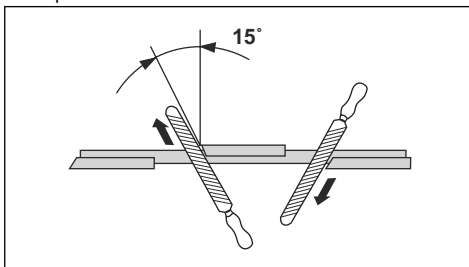


- Užívejte kulatý pilník 5,5 mm s držákem.



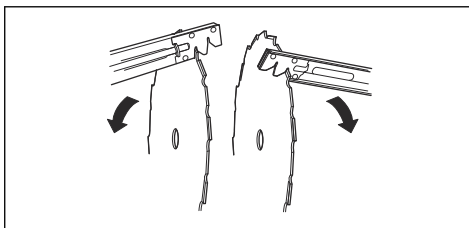
- Držte pilník pod úhlem 15°.

- Naostřete jeden zub pilového kotoče směrem doprava a další zub směrem doleva – viz obrázek.



**Povšimněte si:** Pokud je kotoč velmi opotřebený, nejprve zbruste hrany zubů plochým pilníkem. V ostření pokračujte kulatým pilníkem.

- Naostřete všechna ostří stejnoměrně, aby nebyla narušena rovnováha kotoče.
- Nastavte kotoč na 1 mm pomocí doporučeného nastavovacího nástroje. Řiďte se pokyny v návodu dodaném s kotočem.

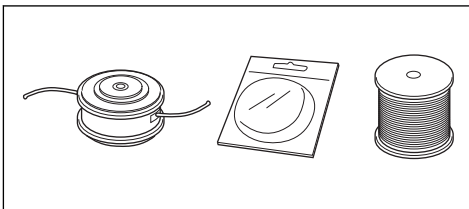


**VÝSTRAHA:** Poškozený nůž či kotoč vždy vyřadte z provozu. Ohnutý nebo zkroucený nůž se nepokoušejte narovnat a znovu používat.

## Strunová hlava



**VÝSTRAHA:** Vždy se ujistěte, že je vyžínací struna navinuta na cívce pevně a stejnoměrně, abyste zamezili škodlivým vibracím.



- Používejte pouze doporučené strunové hlavy a vyžínací struny.
- Používejte výhradně doporučené sekací nástavce.



- Menší zařízení potřebují menší strunové hlavy a naopak.
- Důležitá je délka vyžinací struny. Delší vyžinací struna vyžaduje výkonnější motor než krátká struna stejného průměru.
- Dbejte na to, aby nůž na krytu vyžinače nebyl poškozen. Je určen k seřezávání vyžinací struny na správnou délku.
- Před použitím namočte vyžinací strunu na několik dní do vody. Prodloužíte tím její životnost.

## Bezpečnost při manipulaci s palivem

- Pokud je na výrobku palivo nebo olej, nespouštějte ho. Nechtěné palivo/olej z výrobku odstraňte a nechte výrobek uschnout. Nechtěné palivo z výrobku odstraňte.
- Pokud si palivem polijete oblečení, okamžitě se převlékněte.
- Zabraňte styku paliva s tělem, může způsobit zranění. Pokud se palivo na vaše tělo dostane, omyjte se vodou a mýdlem.
- Pokud polijete výrobek nebo sebe olejem nebo palivem, nespouštějte motor výrobku.
- Nepouštějte motor, pokud z něj něco uniká. Pravidelně kontrolujte, jestli z motoru nic neuniká.
- Při manipulaci s palivem buďte opatrní. Palivo je hořlavé a výpary jsou výbušné a mohou způsobit zranění nebo smrt.
- Nevdechujte palivové výpary, mohou způsobit zranění. Zajistěte dostatečný průtok vzduchu.
- V blízkosti paliva ani motoru nekuřte.
- Do blízkosti paliva ani motoru neumísťujte horké předměty.
- Když je spuštěný motor, nedoplňujte palivo.

- Než začnete doplňovat palivo, přesvědčte se, že je motor studený.
- Než doplníte palivo, pomalu otevřete uzávěr palivové nádrže a opatrně uvolněte tlak.
- Palivo do motoru nedoplňujte ve vnitřních prostorech. Nedostatečné proudění vzduchu může způsobit zranění nebo smrt udušením nebo otravou kyslíčником uhelnatým.
- Uzávěr palivové nádrže pečlivě dotáhněte, aby nedošlo k požáru.
- Než výrobek spustíte, přejděte s ním minimálně 3 m (10 stop) od místa, kde jste doplňovali palivo.
- Palivovou nádrž nepřepněte.
- Přesvědčte se, že při pohybu výrobku nebo nádoby na palivo nemůže dojít k úniku.
- Výrobek ani nádobu na palivo neumísťujte do míst s otevřeným ohněm, jiskrami nebo zapalovacím plamínkem. Přesvědčte se, že v oblasti uložení nevyskytuje otevřený plamen.
- Pro přenášení a skladování paliva používejte pouze schválené nádoby.
- Před dlouhodobým uskladněním vyprázdněte palivovou nádrž. Dodržujte místní zákony ohledně likvidace paliva.
- Před dlouhodobým uskladněním výrobek vyčistěte.
- Než výrobek uskladníte, odstraňte kabel zapalovací svíčky, aby motor nahodile nenastartoval.

## Bezpečnostní pokyny pro údržbu

- Pokud nemůžete nastavit volnoběžné otáčky a zastavit sekací nástavec, obraťte se na servisní středisko. Nepoužívejte výrobek, dokud není správně seřízen nebo opraven.

## Montáž



**VÝSTRAHA:** Než výrobek sestavíte, přečtěte si kapitolu o bezpečnosti.

### Úvod



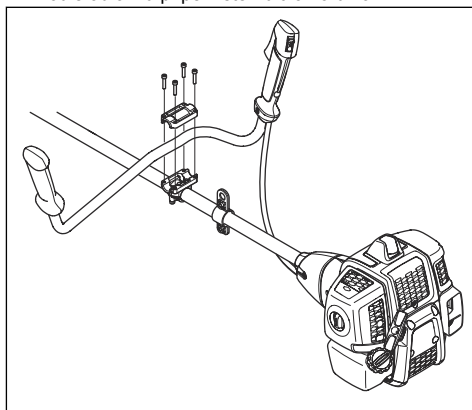
**VÝSTRAHA:** Před montáží výrobku je třeba, abyste si přečetli a porozuměli kapitole o bezpečnosti.



**VÝSTRAHA:** Před montáží výrobku sejměte koncovku kabelu zapalovací svíčky ze zapalovací svíčky.

## Montáž řídítek

1. Podle obrázku připevněte řídítka na držák.



## Montáž kotoučů a strunových hlav



**VÝSTRAHA:** Používejte pouze kryt schválený pro kotouče. Viz *Technické údaje na strani 638*. Vadný kryt může způsobit zranění.

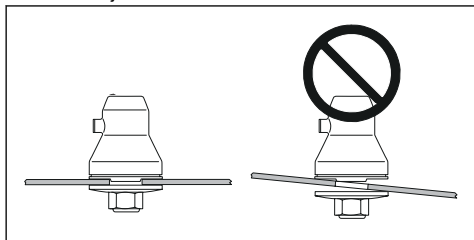


**VÝSTRAHA:** Pokud používáte výrobek s nožem na trávu, nejprve namontujte správná řídítka, kryt kotouče a nosný popruh.



**VÝSTRAHA:** Pokud nenamontujete kotouč správně, může způsobit zranění.

1. Zvednutá část hnacího kotouče / pomocné příruby musí správně zapadnout do středového otvoru kotouče.
2. Namontujte kotouč.



## Montáž krytu kotouče, travního kotouče a travního nože

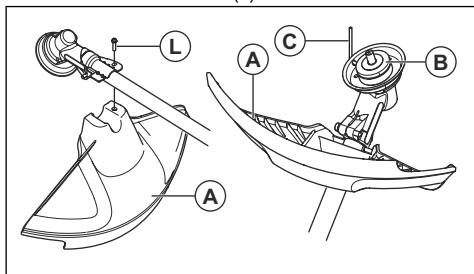


**VAROVÁNÍ:** Používejte pouze kryt schválený pro kotouče. Viz návod k použití.



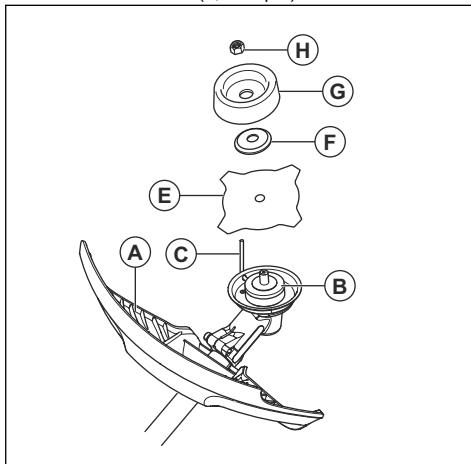
**VAROVÁNÍ:** Zkontrolujte, zda je odstraněno prodloužení krytu.

1. Připevněte kryt kotouče / řezacího nástavce (A) na hřídel a utáhněte šroub (L).



2. Namontujte hnaný kotouč (B) na výchozí osu.

3. Pootáčejte výstupním hřídelem, až je jeden z otvorů v hnacím kotouči zarovnan s odpovídajícím otvorem v tělese ozubeného převodu.
4. Zasuňte pojistný čep (C) do otvoru tak, aby zachytil hřídel.
5. Nasaďte kotouč (E), pomocnou přírubu (F) a opěrnou miskou (G) na výstupní hřídel.
6. Namontujte matici (H). Přidržte hřídel klíčem co nejlépe krytu kotouče. Matici utáhněte klíčem proti směru otáčení. Dotáhněte matici na utahovací moment 35–50 Nm (3,5–5 kpm).



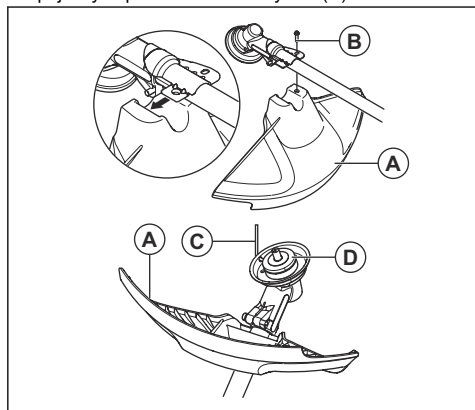
**Povšimněte si:** Levotočivé závity.

## Montáž krytu strunové hlavy a ochranného krytu

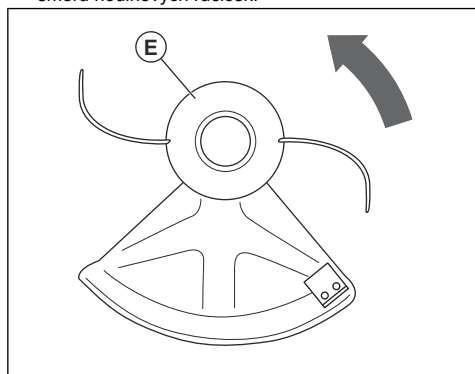
**Povšimněte si:** Použijte správný kryt strunové hlavy pro danou strunovou hlavu.

1. Namontujte správný kryt strunové hlavy/ kombinovaný kryt (A).

- Nasadte kryt strunové hlavy/kombinovaný kryt na hřídel a utáhněte jej pomocí šroubu (B). Použijte pojistný čep nebo šestihřanný klíč (C).



- Umístíte pojistný čep nebo šestihřanný klíč (C) do drážky na hlavě šroubu a dotáhněte jej.
- Připevněte hnací kotouč (D) na výstupní hřídel.
- Pootáčejte výstupním hřídelem, až je jeden z otvorů v hnacím kotouči zarovnan s otvorem v tělese ozubeného převodu.
- Zasuňte pojistný čep nebo šestihřanný imbusový klíč (C) do otvoru tak, aby zachytil hřídel.
- Namontujte strunovou hlavu/plastový nůž (E). Otáčejte strunovou hlavou/plastovým nožem proti směru hodinových ručiček.



- Při demontáži postupujte podle pokynů v opačném pořadí.

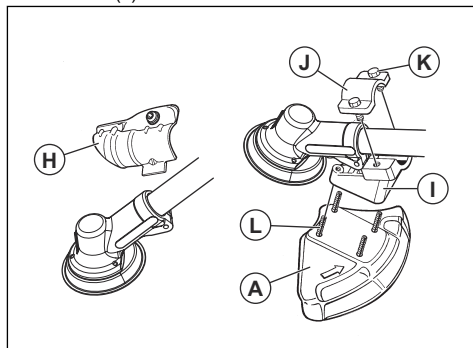
## Montáž krytu kotouče a pilového kotouče



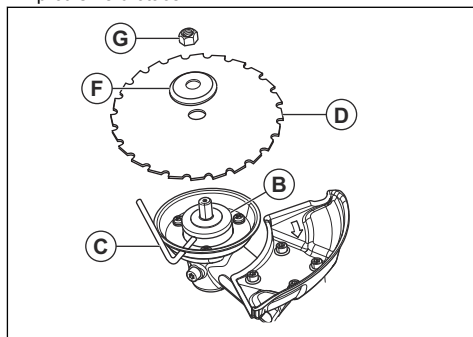
**VAROVÁNÍ:** Používejte pouze kryt schválený pro kotouče. Viz část *Technické údaje na straně 638*.

- Demontujte držák (H).

- Připevněte adaptér (I) a svorku (J) pomocí dvou šroubů (K).
- Připevněte kryt kotouče (A) k adaptéru pomocí 4 šroubů (L).

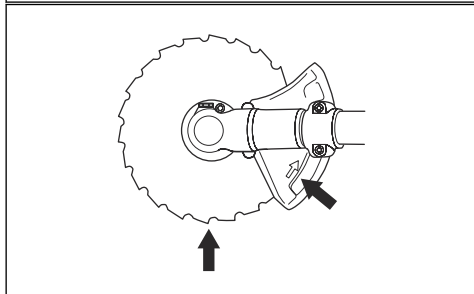
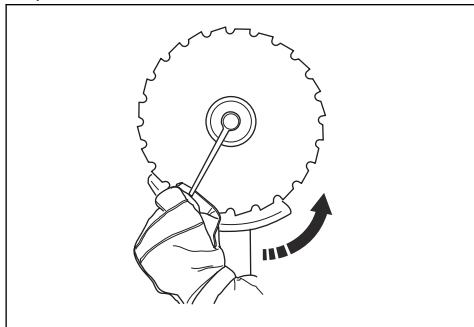


- Namontujte hnany kotouč (B) na výchozí osu.
- Pootáčejte hřídelem kotouče až jeden z otvorů v hnacím kotouči souhlasí s odpovídajícím otvorem v tělese ozubeného převodu.
- Zasuňte jistící čep (C) do otvoru tak, aby byla osa připojena.
- Nasadte kotouč (D) a opěrnou přírubu (F) na výstupní hřídel.
- Upevněte matici (G). Uťahovací moment matice je 35–50 Nm (3,5–5 kpm). Použijte nástrčný klíč ze souboru náradí. Přidržte násadu klíče co nejbliže krytu kotouče. Matice se dotahuje pohybem klíče proti směru otáčení.



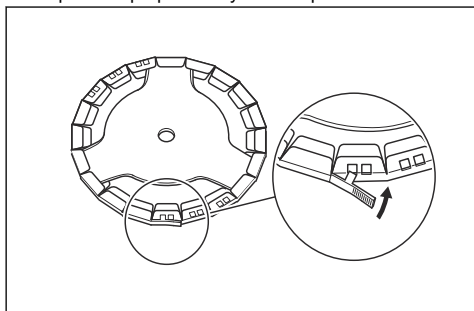
**Povšimněte si:** Levotočivé závity.

9. Při povolení a dotahování matice pilového kotouče může dojít k poranění rukou o zuby kotouče. Proto se snažte držet ruku za krytem kotouče. Použijte vždy nástrčný klíč s dostatečně dlouhou násadou, abyste toto umožnili. Šipka na schématu ukazuje, v jakém rozmezí bude nástrčný klíč pracovat při povolování nebo utahování.



### Montáž přepravního krytu

1. Připevněte přepravní kryt na nůž podle obrázku.



### Seřízení popruhu

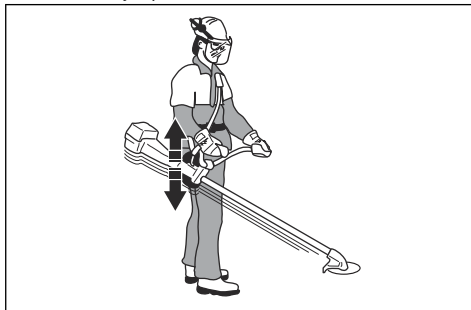


**VÝSTRAHA:** Výrobek musí být vždy správně připevněn na nosném popruhu. Pokud tomu tak není, nelze výrobek bezpečně ovládat, což může vést ke zranění vaší osoby i jiných osob. Nepoužívejte vadný nosný popruh. Nepoužívejte popruh s rozbitou rychlorozpojitelnou sponou.

1. Nasaďte si nosný popruh.
2. Připojte výrobek k nosnému popruhu.
3. Upravte nosný popruh tak, abyste dosáhli optimální pracovní polohy.
4. Seřídte postranní popruhy tak, aby byla váha výrobku nesena rovnoměrně na obou ramenech.



5. Seřídte nosný popruh tak, aby byl řezací nástavec rovnoběžný s povrchem terénu.



6. Nechte řezné vybavení lehce spočívat na zemi. Seřídte upínač nosného popruhu tak, aby byl výrobek správně vyvážen.

**Povšimněte si:** Pokud používáte nůž na trávu, je třeba vyvážit stroj přibližně 10 cm (4 palce) nad zemí.

### Provoz



**VÝSTRAHA:** Než začnete s výrobkem pracovat, přečtete si důkladně kapitolu o bezpečnosti.

## Úvod



**VÝSTRAHA:** Před používáním produktu je třeba, abyste si přečetli a porozuměli kapitole o bezpečnosti.

## Palivo

Tento výrobek je vybaven dvoudobým motorem.



**VAROVÁNÍ:** Používání nesprávného typu paliva může vést k poškození motoru. Používejte směs benzínu a oleje pro dvoudobé motory.

## Předmíchané palivo

- Používejte předmíchané alkylátové palivo McCulloch. Zajišťují nejlepší výkon výrobku a prodlouží životnost motoru. Toto palivo obsahuje méně škodlivých chemikálií v porovnání s běžným palivem a snižuje množství škodlivých výfukových plynů. Množství zbytků po spálení je s tímto palivem menší a díky tomu jsou součásti motoru čistější.

## Míchání paliva

### Benzín

- Používejte kvalitní bezolovnatý benzín s obsahem etanolu maximálně 10 %.



**VAROVÁNÍ:** Nepoužívejte benzín s oktanovým číslem nižším než 90 RON/87 AKI. Při použití benzínu s nízkým oktanovým číslem může docházet ke klepání motoru, které způsobuje jeho poškození.

### Olej pro dvoudobé motory

- Nejlepších výsledků dosáhnete s olejem pro dvoudobé motory McCulloch.
- Není-li k dispozici olej pro dvoudobé motory McCulloch, použijte kvalitní olej pro dvoudobé motory určený pro vzduchem chlazené motory. Správný olej vám doporučí servisní prodejce.



**VAROVÁNÍ:** Nepoužívejte olej pro dvoudobé motory chlazené vodou (olej pro ložní motory). Nepoužívejte olej pro čtyřdobé motory.

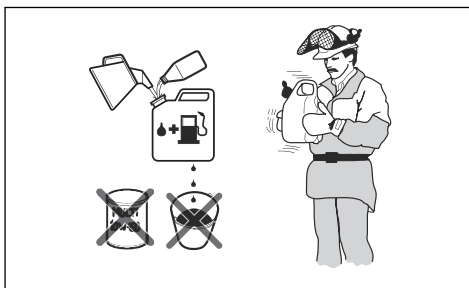
### Míchání paliva a oleje pro dvoudobé motory

Benzín, l	Olej pro dvou- taktní motory, l
	2 % (50:1)

5	0,10
10	0,20
15	0,30
20	0,40
<b>US galon</b>	<b>US fl. oz.</b>
1	2 ½
2 1/2	6 ½
5	12 ¾



**VAROVÁNÍ:** Při míchání pouze malého množství paliva hrozí riziko, že malá chyba v poměru významně ovlivní výslednou směs. Pečlivě odměřte množství oleje, který bude přimíchán do paliva, aby bylo zajištěno, že docílíte správného poměru.



1. Doplňte polovinu množství benzínu do čisté nádoby na palivo.
2. Přidejte celé množství oleje.
3. Směs paliva řádně protřepejte.
4. Přidejte do nádoby zbývající množství benzínu.
5. Směs paliva dobře protřepejte.



**VAROVÁNÍ:** Neskladujte směs paliva déle než 1 měsíc.

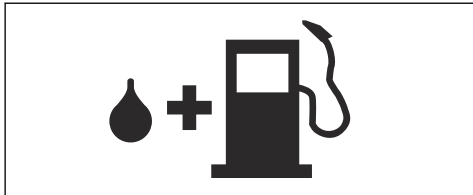
### Doplňování paliva do palivové nádrže



**VÝSTRAHA:** Z bezpečnostních důvodů dodržujte následující postup.

1. Vypněte motor a nechte jej vychladnout.

2. Očistěte plochu kolem víčka palivové nádrže.



3. Protřepejte nádobu, aby se palivo zcela promíchalo.

4. Víčko palivové nádrže otevřete pomalu, aby se uvolnil tlak.

5. Naplňte palivovou nádrž.



**VAROVÁNÍ:** Ujistěte se, že v palivové nádrži není příliš mnoho paliva. Palivo se rozpíná, jakmile se zahřeje.

6. Pevně dotáhněte víčko palivové nádrže.

7. Očistěte rozlité palivo na výrobku a v jeho okolí.

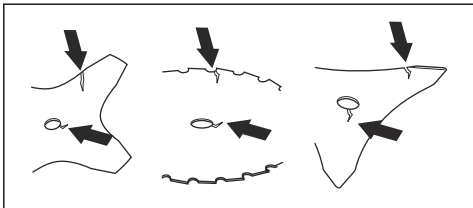
8. Před nastartováním přemístěte výrobek alespoň 3 m (10 stop) od místa, kde jste doplňovali palivo, a zdroje paliva.

**Povšimněte si:** Umístění palivové nádrže na výrobku naleznete v části *Popis výrobku na strani 616*.

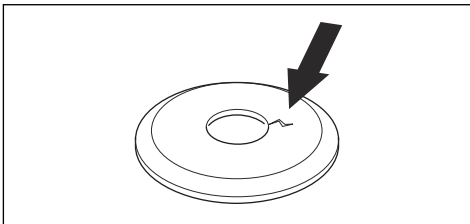
## Zapnutí a vypnutí

### Před použitím výrobku

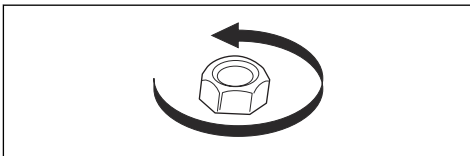
- Prohlédněte pracovní oblast, abyste se seznámili s typem terénu a jeho sklonem a zjistili, zda se na místě nevyskytují nějaké překážky, například kameny, větve nebo jámy.
- Proveďte celkovou prohlídku výrobku.
- Proveďte bezpečnostní kontroly a postupy údržby a servisu, které jsou uvedeny v tomto návodu.
- Zkontrolujte, zda jsou řádně připevněny všechny kryty, ochranné kryty, rukojeti a řezací zařízení a zda nejsou poškozené.
- Zkontrolujte, zda nejsou na spodní straně zubů pilového kotouče nebo nože na trávu nebo u jejich středového otvoru praskliny. Poškozený nůž je nutné vyměnit.



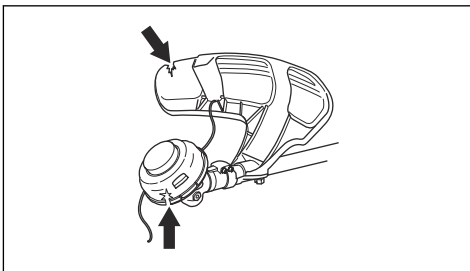
- Zkontrolujte, zda se na pomocné přírubě nenacházejí praskliny. Poškozenou pomocnou přírubu je nutné vyměnit.



- Zkontrolujte, zda není možné pojistnou matici odšroubovat rukou. Pokud ji dokážete odšroubovat rukou, nezajišťuje dostatečně řezací nástavec a je nutné ji vyměnit.



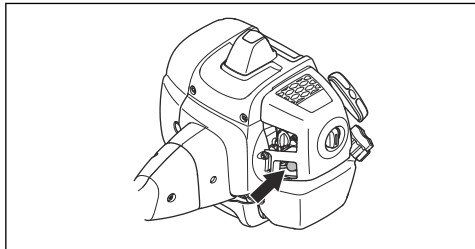
- Zkontrolujte, zda není kryt kotouče poškozený nebo naprasklý. Vyměňte kryt kotouče, pokud došlo k nárazu nebo jsou na něm praskliny.
- Zkontrolujte, zda na strunové hlavě a krytu řezacího nástavce není poškození nebo praskliny. Vyměňte strunovou hlavu a kryt řezacího nástavce, pokud došlo k nárazu nebo jsou na nich praskliny.



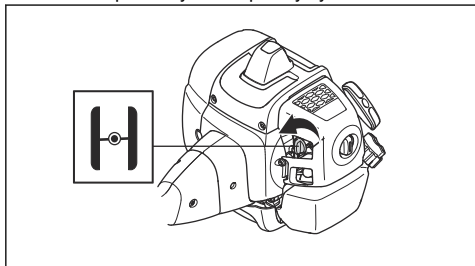
### Nastartování motoru

1. Položte výrobek na rovný a stabilní podklad. Držte sekací nástavec nad zemí.

2. Opakovaně stiskněte pomocnou palivovou pumpičku, dokud se nezačne plnit palivem. Není nezbytné zcela naplnit pomocnou palivovou pumpičku.

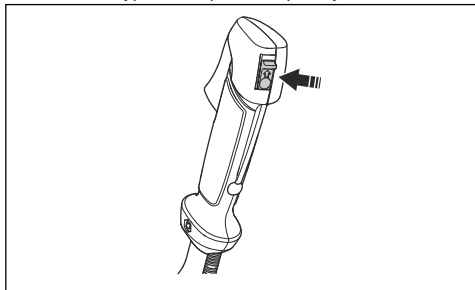


3. Přesuňte páčku sytiče do polohy syčení.

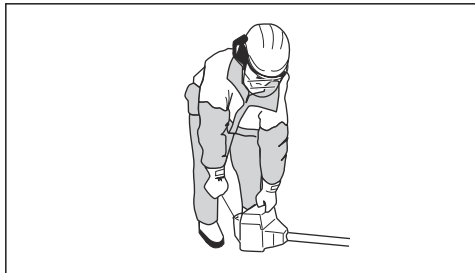


**VÝSTRAHA:** Po spuštění motoru se sytičem se sekací nástavec začne okamžitě otáčet.

4. Nastavte vypínač do provozní polohy.



5. Přitiskněte celý výrobek k zemi levou rukou.



6. Uchopte rukojeť startovací šňůry pravou rukou.

7. Zvolna vytáhněte startovací šňůru, až pocítíte odpor.



**VÝSTRAHA:** Nikdy si neomotávejte startovací šňůru kolem ruky.

8. Rychle a silou vytáhněte šňůru. Opakovaně vytahujte startovací šňůru, dokud se motor nespustí.



**VAROVÁNÍ:** Nevytahujte celou délku startovací šňůry, nepouštějte rukojeť startovací šňůry a nenechávejte plně vytaženou šňůru samovolně navíjet. Můžete tím výrobek poškodit.

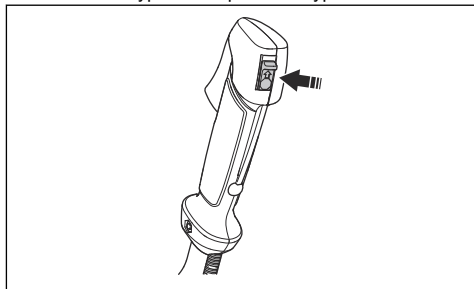
9. Po nastartování motoru vypněte sytič.

10. Jakmile motor nastartuje, přidávejte postupně plyn.

11. Ujistěte se, že motor běží plynule, a nechte jej 1 až 2 minuty před zahájením práce zahřát.

### Zastavení výrobku

- Stisknutím vypínače zapalování vypněte motor.



### Zpětný vrh kotouče

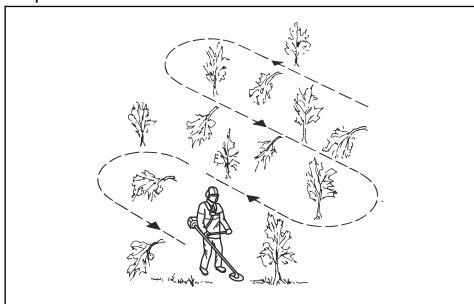
- Zpětný vrh kotouče je náhlý pohyb výrobku do strany, dopředu nebo dozadu. Ke zpětnému vrhu dojde, pokud nůž na trávu narazí na předmět, který nelze přeseknout. V oblastech, kde je sekací materiál těžko viditelný, se riziko zpětného vrhu zvyšuje.
- Pokud ke zpětnému vrhu kotouče dojde, hrozí riziko nenadálého pohybu výrobku nebo obsluhy. Pohybující se kotouč může zasáhnout osoby v okolí a způsobit zranění.
- Ohnutý, prasklý, zlomený nebo jinak poškozený kotouč přestaňte používat.
- Používejte ostré žací kotouče. Riziko zpětného vrhu se zvyšuje, pokud není kotouč naostřený.

### Obecné pracovní pokyny

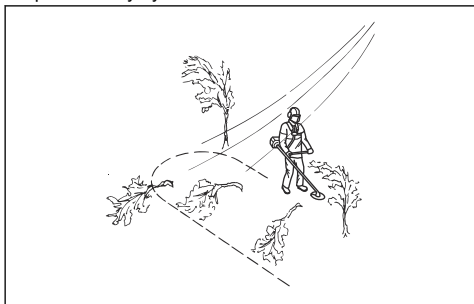


**VÝSTRAHA:** Dávejte pozor při řezání stromu, který je pod napětím. Může se vzpřížit zpět do normální polohy před řezem nebo při řezu a narazit do výrobku či způsobit zranění.

- Pomocí křovinořezy si vytvoříte otevřený prostor na jednom konci pracovní oblasti a začnete zde práci.
- Posunujte se pomocí pravidelného vzorce po pracovní oblasti.



- Pohybuje výrobkem zcela doleva a doprava. Můžete tak vyžnout 4–5 m do šířky při každém otočení.
- Vyžijte na délku 75 m a poté se otočte a jděte zpět. Jak budete postupovat noste s sebou kanystr.
- Postupujte ve směru, kde nebudete procházet přes jámy a překážky více, než je nezbytné.
- Posunujte se ve směru, kde vítr unáší pořezaný porost do vymýčeného oblasti.



- Pohybuje se po vrstevnicích, nikoli nahoru a dolů.

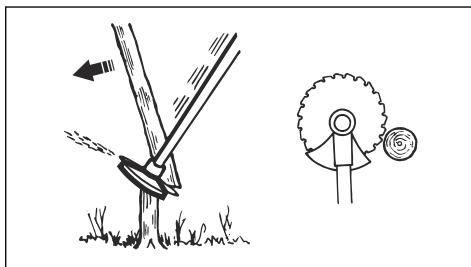
## Prořezávání lesního porostu pilovým kotoučem

### Kácení stromu směrem doleva

Aby strom padl vlevo, tlačte na dolní část stromu směrem doprava.

1. Přidejte plný plyn.
2. Přiložte pilový kotouč proti stromu, jak je znázorněno na obrázku.

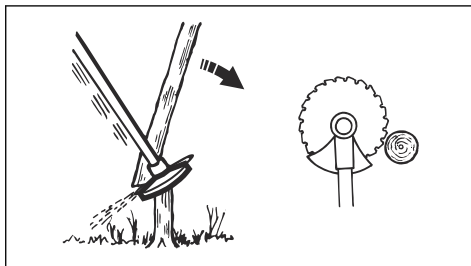
3. Nakloňte pilový kotouč a zatlačte silou šikmo dolů doprava. Současně zatlačte na strom krytem kotouče.



### Kácení stromu směrem doprava

Aby strom padl vpravo, tlačte na dolní část stromu směrem doleva.

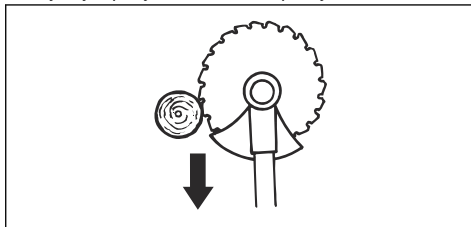
1. Přidejte plný plyn.
2. Přiložte pilový kotouč proti stromu, jak je znázorněno na obrázku.
3. Nakloňte pilový kotouč a zatlačte silou šikmo nahoru doprava. Současně zatlačte na strom krytem kotouče.



### Kácení stromu dopředu

Při kácení směrem dopředu zatlačte dolní část stromu dozadu.

1. Přidejte plný plyn.
2. Přiložte pilový kotouč proti stromu, jak je znázorněno na obrázku.
3. Rychlým pohybem zatáhněte pilový kotouč dozadu.

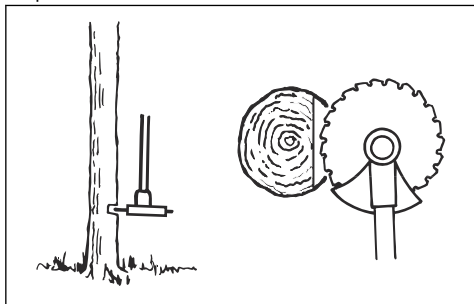


### Kácení velkých stromů

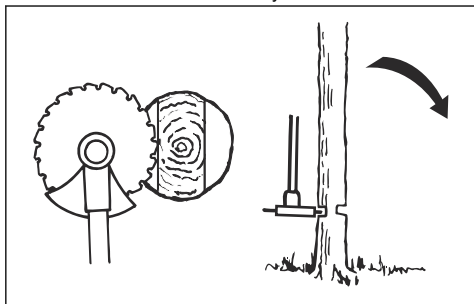
Velké stromy je třeba řezat ze dvou stran.



1. Nejprve určete směr pádu stromu.
2. Přidejte plný plyn.
3. Proveďte první řez na straně stromu, na kterou bude padat.



4. Uřízněte strom z druhé strany.



**VAROVÁNÍ:** Pokud se začne pilový kotouč blokovat, nevytahujte výrobek prudkým pohybem. To by mohlo způsobit poškození pilového kotouče, úhlové převodovky, hřídele nebo řídicí rukojeti. Uvolněte rukojeti, uchopte oběma rukama hřídel a opatrně výrobek vytáhněte.

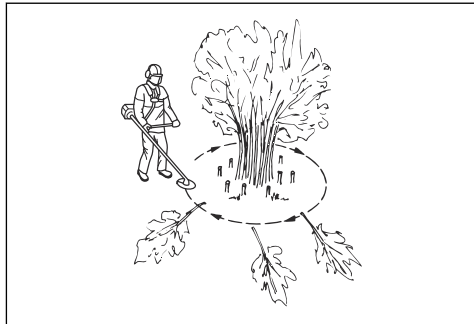
**Povšimněte si:** U malý stromků vyvíjte větší řezací tlak. U velkých stromů vyvíjte menší řezací tlak.

## Prořezávání křovin pilovým kotoučem

Aby strom padl vlevo, tlače na dolní část stromu směrem doprava.

- Uřízněte útlé stromy a keře.
- Pohybuje výrobkem ze strany na stranu.
- Řeže více stromů jedním pohybem.

- U skupiny útlých stromů:



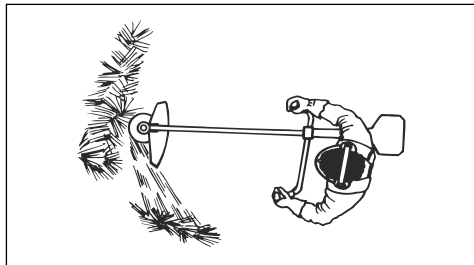
- a) Uřízněte vnější stromy ve větší výšce.
- b) Uřízněte vnější stromy na správnou výšku.
- c) Řeže od středu. Pokud nemůžete získat přístup do středu, uřízněte vnější stromy vysoko a nechte je spadnout. Tím se sníží riziko uvíznutí pilového kotouče.

## Vyživání travního porostu nožem na trávě.



**VAROVÁNÍ:** Nepoužívejte travní nože a nože na trávě na dřevo. Travní nože a nože na trávě používejte pouze na vysoký a hustý travní porost.

- Pohybuje výrobkem ze strany na stranu.
- Sečení začněte pohybem zprava doleva. Posuňte výrobek doprava a proveďte další sek.
- Seče levou stranou nože na trávě.



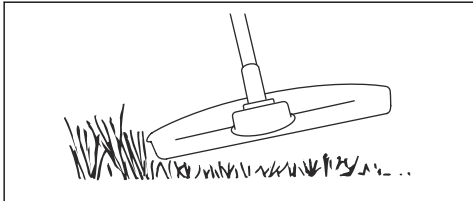
- Skloňte nůž na trávě doleva, aby tráva padala v řádku. Tím se usnadní sběr trávy.
- Udržujte stabilní polohu s nohama od sebe.
- Pohybuje se dopředu po každém pravém pohybu a zkontrolujte, zda máte znovu stabilní postoj před dalším sekem.
- Udržujte opěrnou miskou mírným tlakem na zemi, aby bylo zajištěno, že nůž na trávě nebude narážet do země.
- Dodržujte tyto pokyny, aby se snížilo riziko, že se posečený materiál namotá okolo nože na trávě.
  - a) Přidejte plný plyn.

- b) Nepohybujte nožem na trávu přes posečený materiál, když přesunujete výrobek zleva doprava.
- Než začnete sbírat posečený materiál, vypněte motor a odepněte výrobek z nosného popruhu. Položte výrobek dolů na zem.

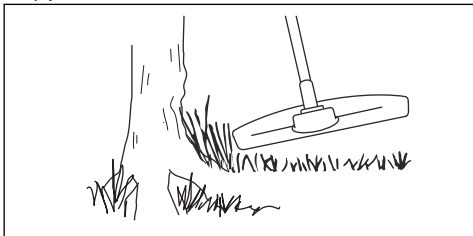
## Vyžínání trávy strunovou hlavou

### Vyžínání trávy

1. Držte strunovou hlavu těsně nad úrovní terénu a pod úhlem. Netlačte vyžínací strunu do trávy.



2. Zkraťte délku vyžínací struny o 10–12 cm (4–4,75 palce).
3. Snižte otáčky motoru, abyste snížili nebezpečí poškození rostlin.
4. Když sečete trávu v blízkosti předmětů, používejte plyn na 80 %.



### Odstranění travního porostu

1. Udržujte strunovou hlavu nad zemí.
2. Nakloňte strunovou hlavu.
3. Sekejte koncem vyžínací struny okolo předmětů v pracovní oblasti.

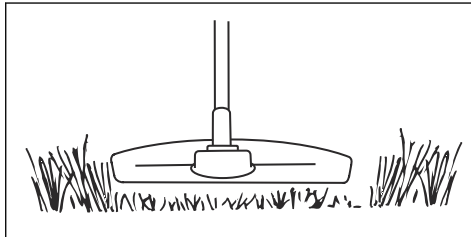


**VAROVÁNÍ:** Posečte trávu. Při nárazu vyžínací struny do jiných předmětů se zvyšuje opotřebení struny.

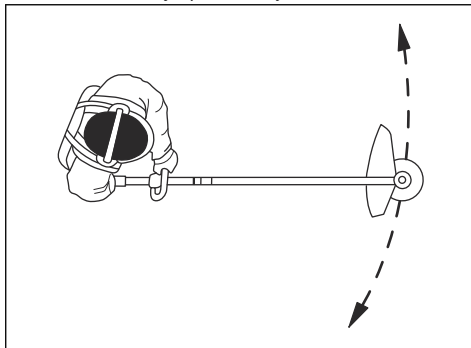
4. Při sečení a odstraňování vegetace používejte 80% otáčky. To snižuje opotřebení strunové hlavy a vyžínací struny.

### Sečení trávy

1. Zajistěte, aby při sečení trávy byla vyžínací struna rovnoběžně se zemí.



2. Netlačte hlavu vyžínáče k zemi. Můžete tím výrobek poškodit.
3. Při sečení trávy pohybujte výrobkem ze strany na stranu. Používejte plné otáčky.



### Odstranění trávy

Proud vzduchu z otáčející vyžínací struny lze použít k odstranění trávy z oblasti.

1. Udržujte strunovou hlavu a vyžínací strunu rovnoběžně se zemí a nad povrchem.
2. Přidejte plný plyn.
3. Pohybujte strunovou hlavou ze strany na stranu a odstraňte tak trávu.



**VÝSTRAHA:** Vyčistěte kryt strunové hlavy po každé montáži nové vyžínací struny, aby se eliminovalo nevyvážení a zabránilo vibracím v rukojetích. Provedte také kontrolu ostatních dílů strunové hlavy a v případě potřeby ji vyčistěte.

# Údržba

## Úvod



**VÝSTRAHA:** Než začnete na výrobku provádět údržbu, přečtěte si pozorně kapitolu o bezpečnosti.

## Plán údržby

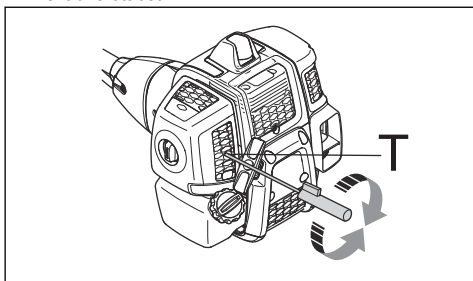
Údržba	Denně	Týdně	Měsíčně
Vyčistěte vnější povrch.	X		
Zkontrolujte, zda není nosný popruh poškozený.	X		
Proveďte kontrolu pojistky páčky plynu a páčky plynu. Další informace jsou uvedeny v části <i>Kontrola pojistky páčky plynu na strani 620</i> .	X		
Zkontrolujte, zda nejsou rukojeť a řídicí rukojeť poškozené a ujistěte se, že jsou řádně upevněny.	X		
Proveďte kontrolu vypínače. Další informace jsou uvedeny v části <i>Kontrola vypínače na strani 621</i> .	X		
Zkontrolujte, zda se řezací nástavec neotáčí při chodu motoru na volnoběžné otáčky.	X		
Vyčistěte vzduchový filtr. V případě poškození proveďte výměnu.	X		
Zkontrolujte kryt řezacího nástavce ohledně poškození a prasklin.	X		
Zkontrolujte, zda je pilový kotouč nebo nůž na trávu řádně připevněn. Zkontrolujte, zda je pilový kotouč nebo nůž na trávu ostrý a nepoškozený.	X		
Zkontrolujte strunovou hlavu ohledně poškození a prasklin. V případě poškození proveďte výměnu.	X		
U sekacích nástavců s pojistnou maticí zcela dotáhněte pojistnou matici.	X		
Zkontrolujte, zda není přepravní kryt poškozený a ujistěte se, že je možné jej správně nasadit.	X		
Dotáhněte matice a šrouby.	X		
Zkontrolujte těsnost motoru, palivové nádrže a palivových vedení.	X		
Zkontrolujte startér a startovací šňůru ohledně poškození.		X	
Zkontrolujte zapalovací svíčku. Další informace jsou uvedeny v části <i>Kontrola zapalovací svíčky na strani 637</i> . V případě potřeby zapalovací svíčku vyměňte. Zkontrolujte, zda je zapalovací svíčka vybavena krytem.		X	
Vyčistěte vnější povrch karburátoru a jeho okolí.		X	
Zkontrolujte, zda je úhlová převodovka správně naplněna mazivem. Další informace jsou uvedeny v části <i>Úhlová převodovka na strani 637</i> .		X	
Zkontrolujte, zda není palivový filtr znečištěný nebo hadice přívodu paliva popraskaná nebo zda nejsou přítomny jiné závady. V případě potřeby proveďte výměnu.			X
Zkontrolujte všechny elektrické kabely a konektory.			X

Údržba	Denně	Týdně	Měsíčně
Vyměňte zapalovací svíčku. Zkontrolujte, zda je zapalovací svíčka vybavena krytem.			X

## Úprava volnoběžných otáček

Ručička vysokých a ručička nízkých otáček jsou nastaveny trvale a nelze s nimi hýbat. Nastavit lze pouze volnoběžné otáčky.

1. Nastartujte motor a nechte jej zahřát, než začnete seřizovat volnoběžné otáčky.
2. Otáčejte stavěcím šroubem volnoběžných otáček ve směru hodinových ručiček, dokud se řezací nástavec nezačne otáčet.



3. Otáčejte stavěcím šroubem volnoběžných otáček proti směru hodinových ručiček, dokud se řezací nástavec nezastaví.
4. Po spuštění řezacího nástavce musí být volnoběžné otáčky nižší než tyto otáčky. Rychlost volnoběhu je správná tehdy, když má motor klidný chod v každé poloze.

## Údržba tlumiče výfuku

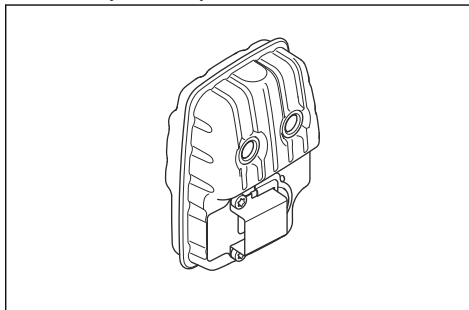
Tlumič výfuku snižuje hladinu hluku a usměrňuje výfukové plyny směrem od uživatele.



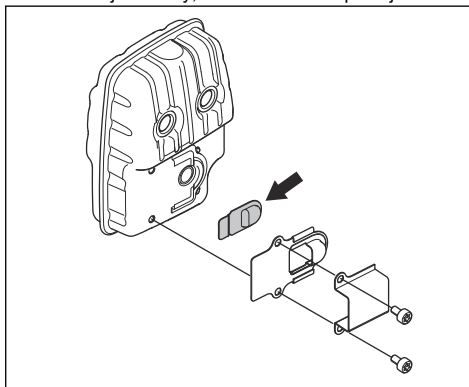
**VÝSTRAHA:** Tlumiče výfuku vybavené katalyzátorem se během provozu velmi zahřívají a zůstávají horké ještě určitou dobu po vypnutí výrobku. To platí i při volnoběhu. Pokud se dotknete výrobku, může dojít k popálení kůže. Myslete na nebezpečí požáru.

1. Vypněte výrobek a nechte jej vychladnout.

2. Demontujte tlumič výfuku.



3. Demontujte šrouby, které drží sítko lapače jisker.



4. Pokud je sítko lapače jisker znečištěné, vyčistěte ho, nebo ho vyměňte, pokud je poškozené.



**VAROVÁNÍ:** Pokud je sítko lapače jisker poškozené, musí se vyměnit. Nepoužívejte výrobek, pokud sítko lapače jisker v tlumiči výfuku chybí nebo je vadné.

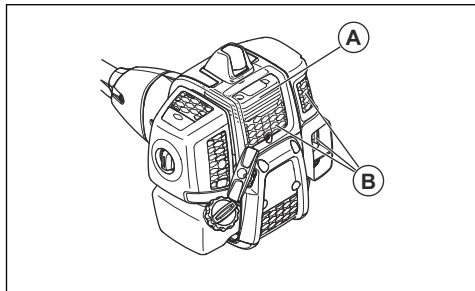


**VAROVÁNÍ:** Často znečištěné sítko lapače jisker indikuje sníženou funkčnost katalyzátoru. Požádejte servis o kontrolu tlumiče výfuku. Znečištěné sítko lapače jisker způsobuje přehívání, které může vést k poškození válce a pístu.

## Čištění/údržba chladicího systému

Tento výrobek je vybaven chladicím systémem. Znečištěný nebo ucpaný chladicí systém může mít za následek přehívání výrobku, což může vést k poškození válce a pístu. Kontrolujte a čistěte chladicí

systém kartáčem jednou týdně nebo v náročných podmínkách častěji. Chladicí systém se skládá z chladicích žebér na válci (A) a přívodu vzduchu (B).



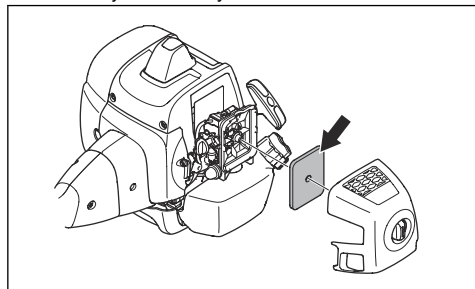
## Vzduchový filtr

Ucpaný vzduchový filtr může způsobit poruchu karburátoru, problémy se startováním, ztrátu výkonu motoru a opotřebení součástí motoru. Způsobuje také vyšší spotřebu paliva, než je nezbytné. Čistíte filtr v intervalu 8 hodin nebo častěji, pokud je výrobek používán v prašném prostředí.

**Povšimněte si:** Po vyčištění nebo výměně vzduchového filtru může být nezbytné provést seřízení motoru. Viz *Úprava volnoběžných otáček na straně 636*.

## Čištění a kontrola vzduchového filtru

1. Demontujte vzduchový filtr.



2. Očistíte plstěný vzduchový filtr stlačeným vzduchem.

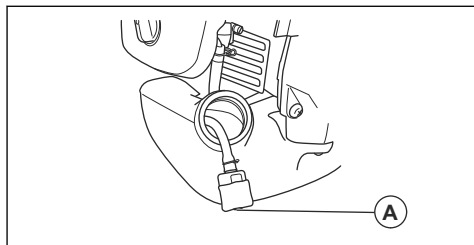


**VAROVÁNÍ:** Pokud nelze plstěný vzduchový filtr zcela vyčistit, vyměňte jej. Poškozený plstěný vzduchový filtr vždy vyměňte.

3. Vyčistíte vnitřní povrch krytu vzduchového filtru. Použijte stlačený vzduch nebo kartáč.

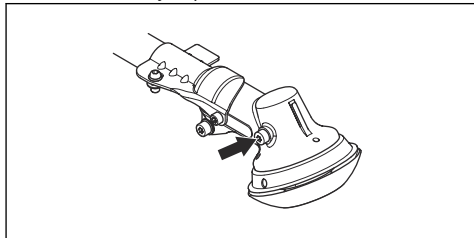
## Palivový filtr

Pokud je do motoru dodáváno nedostatečné množství paliva, ujistěte se, že vzduchový otvor víčka palivové nádrže a palivový filtr (A) jsou čisté.



## Úhlová převodovka

Úhlová převodovka je výrobkem naplněna správným množstvím maziva. Ale před použitím výrobku zkontrolujte, zda je úhlová převodovka naplněná ze 3/4 mazivem. Používejte speciální mazivo McCulloch.



Mazivo v úhlové převodovce není nutné vyměňovat, pokud nebyla úhlová převodovka opravována.

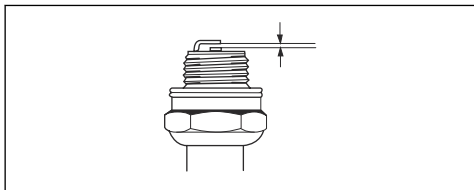
## Kontrola zapalovací svíčky



**VAROVÁNÍ:** Vždy používejte doporučený typ zapalovacích svíček. Nesprávný typ zapalovací svíčky může způsobit poškození výrobku.

- Zkontrolujte zapalovací svíčku, pokud má motor malý výkon, špatně startuje nebo nefunguje správně ve volnoběžných otáčkách.
- Aby se snížilo nebezpečí přítomnosti nechtěných materiálů na elektrodách zapalovací svíčky, dodržujte tyto pokyny:
  - a) Zkontrolujte, zda jsou správně nastaveny volnoběžné otáčky.
  - b) Zkontrolujte správnost palivové směsi.
  - c) Zkontrolujte, zda je vzduchový filtr čistý.

- Jestliže je zapalovací svíčka znečištěná, vyčistěte ji a zkontrolujte, zda je vzdálenost elektrod zapalovací svíčky správná, viz část *Technické údaje na strani 638*.
- V případě potřeby zapalovací svíčku vyměňte.



## Technické údaje

	B40 B Elite	B40 BT Elite
<b>Motor</b>		
Zdvihový objem válce, cm <sup>3</sup>	40,1	40,1
Průměr válce, Ø mm	40,5	40,5
Délka zdvihu válce, mm	31,1	31,1
Volnoběžné otáčky, ot/min	3000	3000
Doporučené maximální otáčky, ot/min	12 000	12 000
Otáčky výstupního hřídele, ot/min	8220	8220
Max. výkon motoru dle normy ISO 8893, kW při ot/min	1,5 při 9000	1,5 při 9000
<b>Systém zapalování</b>		
Zapalovací svíčka	NGK CMR7H-10	NGK CMR7H-10
Vzdálenost elektrod, mm	0,9–1,0	0,9–1,0
<b>Systém mazání a palivový systém</b>		
Výrobce/typ karburátoru	Ruixing H225D-	Ruixing H225D-
Objem palivové nádrže, l/cm <sup>3</sup>	1/1000	1/1000
<b>Hmotnost</b>		
Bez paliva, sekacího nástavce a krytu, kg	7,3	7,4
<b>Emise hluku<sup>70</sup></b>		
Hladina akustického výkonu, změřená dB(A)	112	112
Hladina akustického výkonu, zaručená L <sub>WA</sub> dB (A)	118	118

<sup>70</sup> Emise hluku v životním prostředí měřené jako akustický výkon (L<sub>WA</sub>) v souladu se směrnicí 2000/14/EU. Uváděná hladina akustického výkonu pro stroj byla měřena s originálním řezacím nástavcem, který generuje nejvyšší hladinu. Rozdíl mezi garantovaným a měřeným akustickým výkonem je v tom, že garantovaný akustický výkon rovněž zahrnuje rozptyl výsledků měření a rozdíly mezi různými stroji téhož modelu podle Směrnice 2000/14/ES.

	B40 B Elite	B40 BT Elite
<b>Hladina hluku<sup>71</sup></b>		
Ekvivalentní hladina akustického tlaku v úrovni uší obsluhy měřená podle norem EN ISO 11806 a ISO 22868, dB(A), min./max.		
Vybaven strunovou hlavou (originální)	100	100
Vybaven travním kotoučem (originální)	99	99
Vybaven pilovým kotoučem (originální)	–	99
<b>Úrovně vibrací<sup>72</sup></b>		
Ekvivalentní hladiny vibrací ( $a_{hv,eq}$ ) v rukojetích, měřené podle norem EN ISO 11806 a ISO 22867, v $m/s^2$		
Vybaven strunovou hlavou (originální), levá/pravá	3,4/4,4	3,4/4,4
Vybaven travním kotoučem (originální), levý/pravý	5,2/5,1	5,2/5,1
Vybaven pilovým kotoučem (originální), levý/pravý	–	4,5/4,2

<b>B40 B Elite, B40 BT Elite</b>		
<b>Schválené příslušenství</b>	<b>Typ</b>	<b>Kryt řezacího nástavce, obj. č.</b>
Středový otvor v kotoučích/vyžínacích nožích, Ø 25,4 mm		
Závít hřídele pro kotouč M12		
Travní kotouč/travní nůž	Travní kotouč 255-4 1" (Ø 255, 4 zuby)	580 30 50-01
	Nůž na trávu 255-3 (Ø 255 3 zuby)	580 30 50-01
Pilový kotouč	Pilový kotouč 200-22 (ø 200, 22 zubů)	581 33 84-01
Strunová hlava	P35	580 30 50-01
Opěrná miska	Pevný	–

<sup>71</sup> Uváděná data pro ekvivalentní hladinu akustického tlaku mají typickou statistickou odchylku (standardní odchylku) 1 dB (A).

<sup>72</sup> Uváděná data o úrovních vibrací mají typickou statistickou odchylku (standardní odchylku) 1  $m/s^2$ .

## ES Prohlášení o shodě

**Husqvarna AB**, SE-561 82 Huskvarna, Švédsko, tel.:  
+46--36--146500, prohlašuje, že vyžinač **McCulloch B40**

**B Elite** se sériovými čísly od roku 2021 a dále (rok je zřetelně vyznačen v textu na typovém štítku a za ním následuje sériové číslo) vyhovuje požadavkům následujících SMĚRNIC RADY EVROPSKÉ UNIE:

- ze 17. května 2006 „týkající se strojních zařízení“ **2006/42/ES**
- z 26. února 2014 „týkající se elektromagnetické kompatibility“ **2014/30/EU**
- z 8. května 2000 „týkající se emisí hluku v okolním prostředí“ **2000/14/ES**. Postup posouzení shody byl použit v souladu s přílohou V. Informace o emisích hluku najdete v kapitole „Technické údaje“.
- ze dne 8. června 2011 „o omezení používání některých nebezpečných látek v elektrických a elektronických zařízeních“ **2011/65/EU**.

Byly uplatněny následující normy:

**EN ISO 12100:2010, CISPR 12:2007+A1:2009, EN ISO 14982:2009, EN ISO 11806-1:2011, EN IEC 63000:2018**

Institut RISE SMP Svensk Maskinprovning AB, Box 7035, SE-750 07 Uppsala, Sweden provedl jménem společnosti Husqvarna AB dobrovolnou typovou zkoušku. Certifikáty mají tato čísla: **SEC/12/2339** - B40 B Elite, B40 BT Elite

Institut RISE SMP Svensk Maskinprovning AB rovněž ověřil shodu s dodatkem V směrnice Evropského parlamentu a Rady 2000/14/ES.

Huskvarna, 2020-08-25



Pär Martinsson, ředitel vývoje (Autorizovaný zástupce společnosti Husqvarna AB a osoba odpovědná za technickou dokumentaci)



---

## Зміст

---

Вступ.....	641	ТЕХНІЧНЕ ОБСЛУГОВУВАННЯ.....	662
Безпека.....	644	Технічні характеристики.....	666
Збирання.....	652	Декларація відповідності ЄС.....	668
Експлуатація.....	656	.....	0

---

## Вступ

---

### Опис виробу

Цей виріб – кущоріз із двигуном внутрішнього згорання.

Ми постійно працюємо над підвищенням вашої безпеки й ефективності роботи. По додаткову інформацію звертайтеся до свого сервісного дилера.

### Правильне використання

Для зрізання різних типів рослинності використовуйте виріб із насадками на кшталт полотна пилки, ножа для трави або головки тримера. Забороняється використовувати виріб для інших

завдань, окрім підстригання й скошування трави, а також розчищення лісу. Для зрізання волокнистих порід дерев використовуйте полотно пилки. Для скошування трави використовуйте ніж для трави або головку тримера.

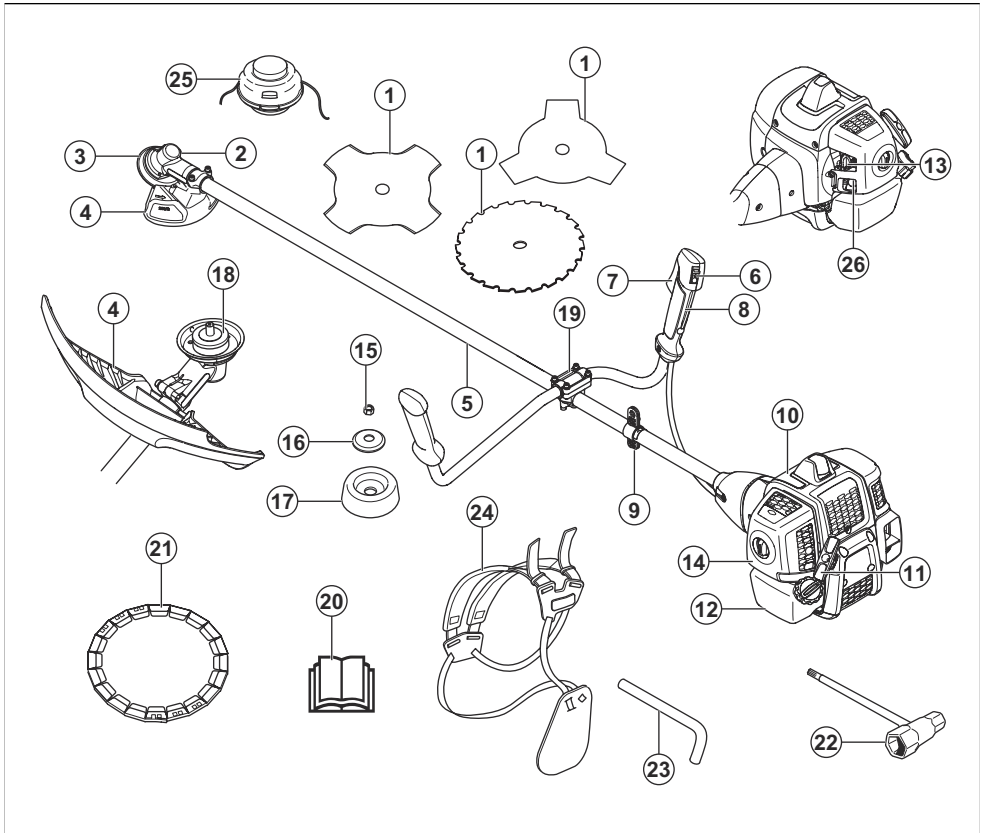
---

**Зверніть увагу:** Дотримуйтесь вимог державних чи місцевих норм, що стосуються поводження з пристроєм.

---

Використовуйте виріб лише із сертифікованими виробником аксесуарами. Див. *Технічні характеристики на сторінці 666*.

## Огляд виробу



1. Лезо (доступне не в усіх регіонах)
2. Ковпачок отвору для мастила, конічна зубчаста передача
3. Зубчаста передача
4. Захисний кожух різальної насадки
5. Вал
6. Вимикач
7. Курок газу
8. Стопор курка газу
9. Кільце підвісної системи
10. Кришка циліндра
11. Ручка стартера
12. Паливний бак
13. Керування повітряною заслінкою
14. Кришка повітряного фільтра
15. Стопорна гайка
16. Опорний фланець
17. Опорна манжета
18. Привідний диск
19. Затискач руків'я
20. Посібник користувача
21. Чохол для транспортування (доступний не в усіх регіонах)
22. Торцевий гайковий ключ
23. Стопорний штифт (для виробів без шестигранного ключа)
24. Пасова підвіска
25. Головка тримера
26. Кнопка продувки повітря

### Символи на виробі



**ОБЕРЕЖНО!** Цей виріб може бути небезпечним. Необережне або неправильне використання виробу може призвести до травм або смерті оператора чи сторонніх осіб. Щоб уникнути травмування оператора чи

сторонніх осіб, уважно прочитайте всі правила техніки безпеки, наведені в цьому посібнику користувача, і дотримуйтеся них.



Перед користуванням виробом уважно прочитайте посібник користувача й переконайтеся, що ви зрозуміли всі вказівки.



На ділянках, де існує ризик падіння предметів, завжди надягайте захисний шолом. Користуйтеся затвердженими захисними навушниками. Користуйтеся відповідними засобами захисту очей.



Використовуйте відповідні захисні рукавиці.



Використовуйте надміцні чоботи із захистом від ковзання.



З-під виробу можуть викидатися предмети, що може призвести до травм.



Максимальна частота обертання вихідного вала.



Під час експлуатації виробу дистанція між вами й сторонніми особами чи тваринами має становити щонайменше 15 м (50 футів).



Ризик віддачі ножа у випадку, якщо різальне обладнання натрапить на предмет, який не зможе миттєво зрізати. Виріб здатний відтяти частини тіла. Під час експлуатації виробу дистанція між вами й сторонніми особами чи тваринами має становити щонайменше 15 м (50 футів).



Використовуйте лише гнучкі різальні дроти. Забороняється використовувати металеві різальні елементи. Це також стосується аксесуарів для захисного обладнання.



Стрілки показують межі для розміщення рукоятки.



Кнопка продувки повітря.



Заправити паливом.



Повітряна заслінка.



Випромінювання шуму в навколишнє середовище виміряне згідно з європейською директивою 2000/14/EC і Законом про збереження навколишнього середовища (контроль шуму) 2017 р. Нового Південного Уельсу. Дані про випромінювання шуму вказано на паспортній табличці пристрою; також див. *Технічні характеристики на сторінці 666.*



Виріб відповідає належним вимогам директив ЄС

yyyywwxxxx

На табличці з паспортними даними чи на етикетці вказано серійний номер. **yyyy** указує на рік виготовлення, а **ww** – на тиждень виготовлення.

**Зверніть увагу:** Інші позначення на виробі відповідають вимогам спеціальних сертифікатів для інших торгових зон.

## Відповідальність за якість продукції

Згідно із законом про відповідальність за якість продукції ми не несемо відповідальності за будь-які пошкодження, спричинені роботою наших виробів, якщо:

- виріб було неправильно відремонтовано;
- виріб було відремонтовано із використанням деталей, виготовлених не виробником або не затверджених ним;
- виріб обладнано аксесуаром, виготовленим не виробником або не затвердженим ним;
- виріб було відремонтовано в неавторизованому сервісному центрі або неавторизованою компанією;

## Відповідає вимогам європейського екологічного стандарту Євро-5



**ПОПЕРЕДЖЕННЯ:** Внесення змін у двигун позбавляє чинності сертифікацію ЄС для цього виробу.

## Безпека

### Визначення щодо безпеки

Визначення, наведені нижче, пояснюють рівень серйозності кожного сигнального слова.



**ПОПЕРЕДЖЕННЯ:** Небезпека травми для людини.



**УВАГА:** Небезпека пошкодження виробу.

**Зверніть увагу:** Ця інформація спрощує використання виробу.

### Загальні правила техніки безпеки



**ПОПЕРЕДЖЕННЯ:** Перш ніж розпочати використання виробу, уважно прочитайте наведені нижче попередження.

- Під час роботи цього виробу утворюється електромагнітне поле. Це поле може за деяких умов взаємодіяти з активними чи пасивними медичними імплантатами. Щоб зменшити ризик тяжких або смертельних травм, рекомендуємо особам із медичними імплантатами проконсультуватися зі своїм лікарем і виробником медичного імплантату перед початком експлуатації цього виробу.
- Забороняється використовувати виріб, якщо ви втомлені, хворі, чи перебуваєте під впливом наркотиків, алкоголю або медикаментів. Ці фактори мають негативний вплив на ваш зір, зосередженість, свідомість та координацію рухів.
- Не використовуйте виріб у погану погоду, наприклад у густий туман, сильний дощ, сильний вітер або коли дуже холодно. Використання виробу в погану погоду може призвести до втоми й створити ризики на кшталт ожеледі й падіння в непередбачуваному напрямку.
- Завжди будьте обережні й керуйтеся здоровим глуздом. Якщо після ознайомлення з посібником користувача у вас усе ще залишаться сумніви щодо умов роботи або процедур користування

інструментом, перед продовженням необхідно проконсультуватися з дилером з обслуговування.

- Залишаючи виріб без нагляду, знімайте ковпак зі свічки запалювання.

### Правила техніки безпеки під час монтажу



**ПОПЕРЕДЖЕННЯ:** Перш ніж розпочати використання виробу, уважно прочитайте наведені нижче попередження.

- Під час збирання виробу та монтажу різальної насадки використовуйте відповідні захисні рукавиці.
- Перед збиранням виробу необхідно зняти ковпак свічки запалювання зі свічки запалювання.
- Перед тим як користуватися виробом, переконайтеся, що на ньому встановлені відповідна рукоятка й різальна насадка.
- Використання несправного або невідповідного кожуха різальної насадки може призвести до травмування. Забороняється використовувати різальну насадку без сертифікованого захисного кожуха.
- Перш ніж запустити виріб, установіть відповідним чином кришку зчеплення й вал.
- Приводний диск і опорний фланець мають входити в зачеплення в центральному отворі різальної насадки відповідним чином. Неправильне встановлення різальної насадки може призвести до травм чи смерті.
- Закріпіть на виробі пасову підвіску, щоб уникнути травмування оператора чи інших осіб.

### Правила техніки безпеки під час використання виробу



**ПОПЕРЕДЖЕННЯ:** Перш ніж розпочати використання виробу, уважно прочитайте наведені нижче попередження.

- Перед використанням виробу необхідно зрозуміти різницю між розчищенням лісу, косінням і підстриганням трави.

- Використовуйте засоби індивідуального захисту, див. *Засоби індивідуального захисту на сторінці 646.*
- Тривала робота за сильного шуму може призвести до втрати слуху. Завжди користуйтеся відповідними захисними навушниками.
- У разі використання захисних навушників прислухайтеся до попереджувальних сигналів чи окликів. Коли двигун інструмента зупиниться, негайно змініть захисні навушники.
- Забороняється використовувати виріб у разі його несправності або внесення змін.
- Щоб уникнути ураження струмом, переконайтеся, що ковпак свічки запалювання й провід запалювання не пошкоджені.
- Огляньте робочу ділянку й переконайтеся, що на ній немає осіб, тварин або предметів, що можуть негативно вплинути на рівень безпеки під час експлуатації виробу.
- Огляньте робочу ділянку й переконайтеся, що особи чи тварини не матимуть змоги торкнутися різальної насадки або не постраждають від предметів, що можуть відлетіти від різальної насадки.
- Не використовуйте виріб у ситуаціях або місцях, де ви не зможете отримати допомогу в разі нещасного випадку.
- Забороняється використовувати виріб без сертифікованого захисного кожуха різальної насадки.
- Переконайтеся, що під час роботи сторонні особи або тварини перебувають на відстані щонайменше 15 м (50 футів) від вас. Завжди обертайтеся перед розвертанням із виробом у руках. Негайно зупиніть виріб у разі наближення людини чи тварини на відстань менше 15 м (50 футів). Якщо на одній ділянці працює кілька операторів, тримайтеся на безпечній відстані не менше двократної висоти оброблюваних дерев і не менше 15 м (50 футів) один від одного.
- Перевірте робочу зону. Приберіть усі випадкові предмети на кшталт каменів, розбитого скла, цвяхів, сталевого дроту й мотузок, які можуть відскочити чи намотатися на різальну насадку.
- Переконайтеся, що ви можете безпечно переміщуватися й стоїте безпечно. Огляньте навколишню ділянку на наявність перешкод на

кшталт коріння, каменів, гілок і канав. Будьте обережні під час роботи на схилах.



- Не тягніться. Завжди займайте стійке положення та зберігайте рівновагу.
- Перед запуском виробу поставте його на плоску поверхню не ближче за 3 м (10 футів) від джерела пального й місця, де ви його запровадили. Переконайтеся, що біля різальної насадки немає предметів, що можуть до неї доторкнутися.
- У разі, якщо різальна насадка буде обертатися на холостому ході, віддайте виріб у центр обслуговування для налаштування. Не користуйтеся виробом, доки його не відрегулюють або полагодять.
- Остерігайтеся предметів, що відскакують. Завжди використовуйте сертифіковані засоби захисту очей і тримайтеся подалі від захисного кожуха різальної насадки. Каміння або інші невеликі предмети можуть потрапити до очей і призвести до сліпоти чи інших травм.
- Ніколи не кладіть працюючий виріб на землю, за винятком випадків, коли ви його добре бачите.
- Забороняється прибирати або дозволяти комусь прибирати зрізану траву, коли двигун працює або різальне обладнання обертається: це може призвести до серйозних травм.
- Перш ніж прибирати матеріали, що намоталися на вал ножа або застрягли між захисним кожухом насадки й різальною насадкою, завжди зупиняйте двигун і переконайтеся, що різальне обладнання більше не обертається.
- Будьте обережні під час видалення матеріалів навколо різального обладнання. Під час роботи конічна зубчаста передача нагрівається, що може призвести до опіків.
- Вихлопні дими мають високу температуру й можуть містити іскри. Небезпека загоряння. Будьте обережні під час роботи поблизу сухих і легкозаймистих матеріалів.
- Не користуйтеся виробом у приміщенні або в місцях, де немає належної вентиляції. Вихлопні дими містять монооксид вуглецю, отруйний та дуже небезпечний газ без запаху.
- Перед переміщенням на іншу ділянку завжди зупиняйте двигун. Перед переміщенням

обладнання завжди встановлюйте чохол для транспортування.

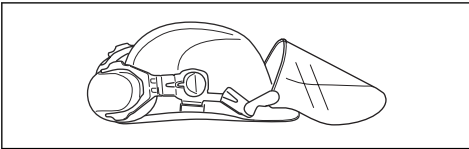
- У людей, які мають погіршений кровообіг, надмірна вібрація може ушкодити нервову систему або систему кровообігу. Якщо у вас проявляються симптоми надмірного впливу вібрації, зверніться до свого лікаря. До таких симптомів належить оніміння, втрата чутливості, пощипування, поколювання, біль, безсилля, зміна кольору або стану шкіри. Зазвичай ці симптоми проявляються в пальцях, руках і зап'ястках. Небезпека ураження підвищується при низьких температурах.

## Засоби індивідуального захисту

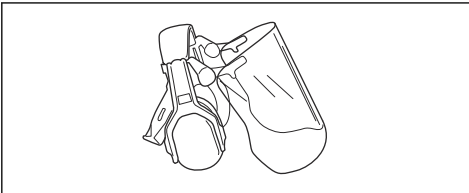


**ПОПЕРЕДЖЕННЯ:** Перш ніж розпочати використання виробу, уважно прочитайте наведені нижче попередження.

- Під час роботи з виробом завжди використовуйте сертифіковані засоби індивідуального захисту. Засоби індивідуального захисту не можуть повністю усунути небезпеку травмування, але в разі нещасного випадку знизять ступінь тяжкості травми. Дозвольте дилеру допомогти вам із вибором відповідного обладнання.
- У разі наявності на ділянці дерев вище 2 м (6,5 футів) використовуйте захисний шолом.

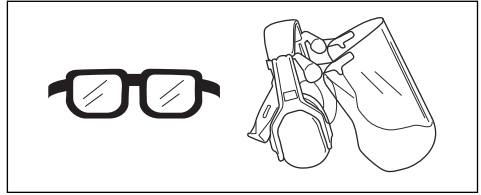


- Користуйтеся відповідними захисними навушниками.

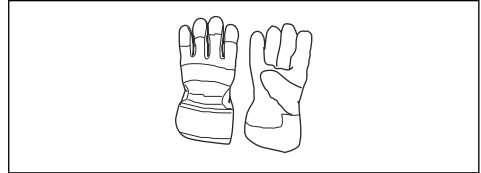


- Користуйтеся відповідними засобами захисту очей. У разі використання захисної маски необхідно додатково вдягати схвалені захисні окуляри. Схвалені захисні окуляри мають

відповідати стандарту ANSI Z87.1 у США або EN 166 у країнах ЄС.



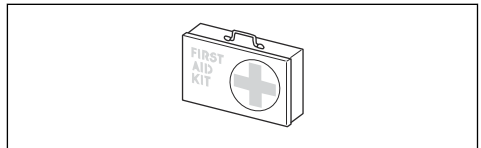
- За потреби використовуйте рукавиці, наприклад якщо необхідно приєднати, оглянути або почистити різальне обладнання.



- Використовуйте захисне взуття зі сталевими носками й неслизкою підшоивою.



- Використовуйте одяг, виготовлений із міцної тканини. Завжди використовуйте довгі штани з міцної тканини й сорочку з довгими рукавами. Уникайте надто просторого одягу, який може зачепитися за сучки або гілки. Не надягайте на час роботи прикраси, короткі штани чи сандалії. Не ходіть босоніж. Заколуйте волосся вище рівня плечей.
- Тримайте під рукою аптечку.



## Механізми безпеки на пристрої

Інформацію щодо розташування захисних пристроїв див. у *Захисний кожух ріжучої насадки на сторінці 648.*



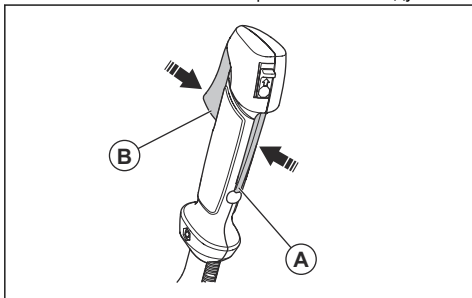
**ПОПЕРЕДЖЕННЯ:** Перш ніж розпочати використання виробу, уважно прочитайте наведені нижче попередження.

- Не використовуйте виріб із пошкодженими захисними пристроями. Регулярно перевіряйте й обслуговуйте захисні пристрої. У випадку пошкодження захисних пристроїв зверніться до центру обслуговування McCulloch.
- Не вносьте зміни в конструкцію захисних пристроїв. Забороняється працювати з виробом, якщо кожухи, запобіжні вимикачі або інші захисні пристрої не встановлені або зламані.
- Для всіх робіт з обслуговування та ремонту, особливо в разі роботи із захисними пристроями, необхідна спеціальна підготовка. Якщо захисні пристрої не пройдуть перевірок, що наведені в цьому посібнику користувача, необхідно звернутися по допомогу в центр обслуговування. Ми гарантуємо надання професійних послуг із ремонту й обслуговування. Якщо ваш дилер не є одночасно центром обслуговування, зверніться до нього по інформацію щодо найближчого центру обслуговування.
- Забороняється використовувати ріжучу насадку без сертифікованого й правильно встановленого захисного кожуха. Див. *Технічні характеристики на сторінці 666*.

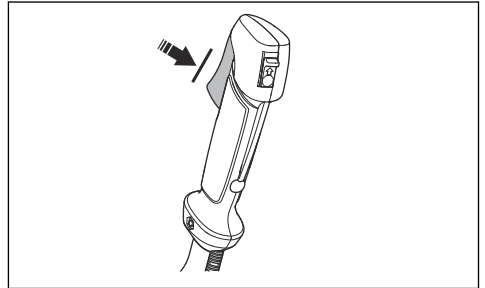
### Перевірка блокування курка газу

Блокування курка газу створене для запобігання випадковому спрацюванню керування газом.

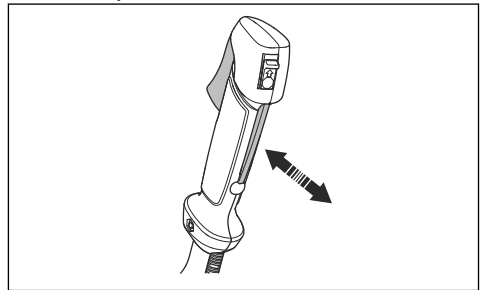
1. Натисніть на фіксатор курка газу (A) та переконайтеся, що керування газом вільне (B). Коли ви випускаєте з рук рукоятку, то і фіксатор, і курок повертаються в початкове положення. Рух здійснюється за допомогою двох відповідних пружин. Це означає, що керування газом автоматично стає в позицію холостого ходу.



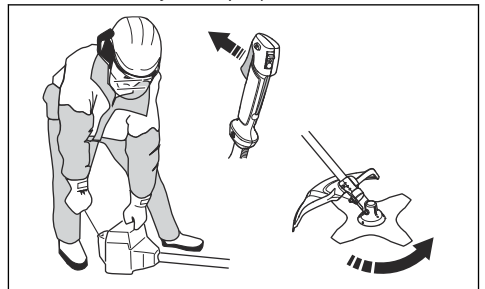
2. Перевірте, чи блокується керування газом на холостому ході, коли відпускається фіксатор курка газу.



3. Натисніть на фіксатор курка газу й упевніться, що він повертається в початкове положення, коли ви його відпускаєте.



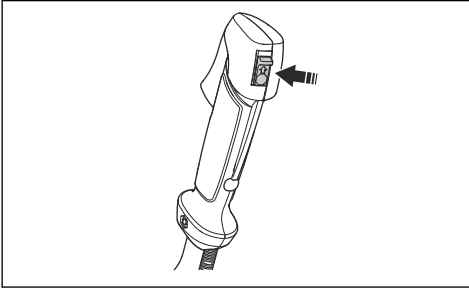
4. Перевірте, щоб керування газом та фіксатор курка газу рухалися вільно, а відповідна пружина працювала відповідним чином.
5. Запустіть виріб (див. інструкції під заголовком *Запуск і зупинення роботи на сторінці 657*) і повністю натисніть курок газу.
6. Відпустіть курок та переконайтеся, що ріжуча насадка зупинилася й не крутиться. Відрегулюйте карбюратор, якщо ріжуча насадка рухається разом із курком газу на холостому ходу. Див. інструкції в розділі *Налаштування частоти холостого ходу на сторінці 663*.



### Перевірка вимикача

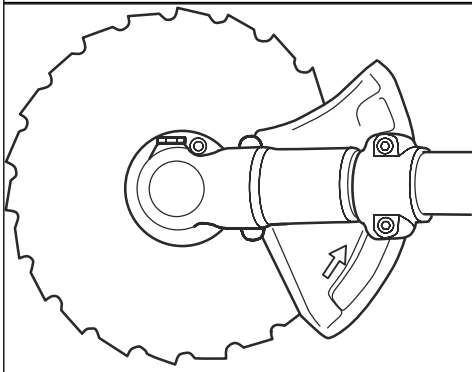
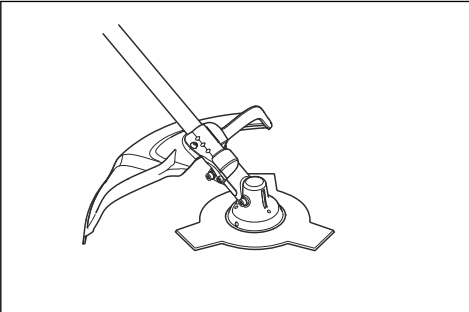
1. Запустіть двигун.

2. Пересуньте вимикач у положення «зупинити» й переконайтеся, що двигун зупинився.



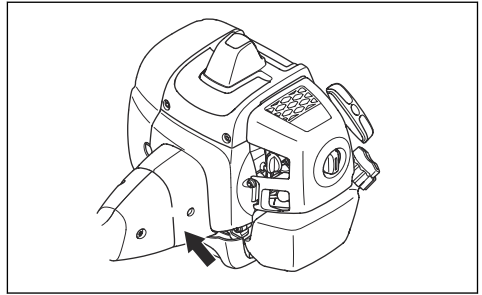
### Захисний кожух ріжучої насадки

Кожух ріжучої насадки захищає від викидання предметів у напрямку оператора. Перевіряйте кожух ріжучої насадки на предмет пошкоджень та в разі необхідності замінійте його. Використовуйте лише сертифіковані кожухи для ріжучих насадок.



### Перевірка системи поглинання вібрації

Система поглинання вібрації зменшує вібрацію в області рукояток до мінімуму, що полегшує експлуатацію виробу.



1. Зупиніть двигун.
2. Проведіть огляд і переконайтеся у відсутності деформацій та пошкоджень на кшталт тріщин.
3. Переконайтеся в правильності кріплення елементів системи поглинання вібрації.

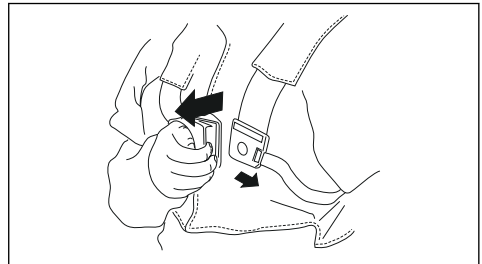
### Перевірка механізму швидкого розмикання



**ПОПЕРЕДЖЕННЯ:** Не користуйтеся підвіскою з несправним механізмом швидкого розмикання.

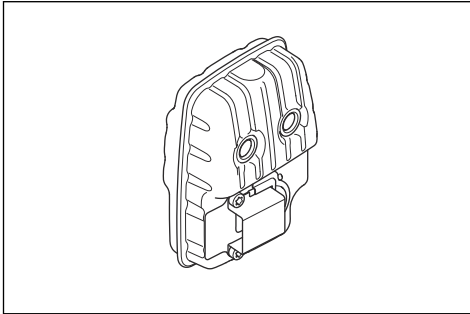
Механізм швидкого розмикання дозволяє оператору швидко зняти виріб із підвіски в разі виникнення надзвичайної ситуації.

1. Зупиніть двигун.
2. Проведіть візуальну перевірку на наявність пошкоджень на кшталт тріщин.
3. Зніміть і знову приєднайте механізм швидкого розмикання, щоб переконатися, що він працює належним чином.





## Глушник



- Не запускайте двигун з пошкодженим глушником. Пошкоджений глушник збільшує рівень шуму та підвищує небезпеку загоряння. Тримайте поруч вогнегасник.
- Регулярно перевіряйте кріплення глушника до виробу.
- Не торкайтеся двигуна або глушника під час роботи двигуна. Після зупинки двигуна почекайте деякий час перш ніж торкатися двигуна або глушника. Контакт із гарячими поверхнями може призвести до травм.
- Гарячий глушник може призвести до загоряння. Будьте обережні в разі використання виробу біля легкозаймистих рідин або газів.
- Не торкайтеся частин глушника в разі його пошкодження. Ці частини можуть містити канцерогенні хімічні речовини.
- Регулярно чистьте іскрогасник, якщо його встановлено у виріб. 🔧

### Встановлення й знімання стопорної гайки

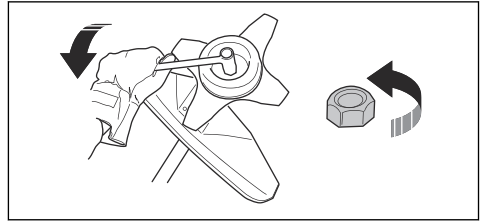


**ПОПЕРЕДЖЕННЯ:** Зупиніть двигун, використовуйте захисні рукавиці й будьте обережні з гострими кромками різальної насадки.

Деякі різальні насадки фіксуються за допомогою стопорних гайок. Стопорна гайка має лівобічну нарізку.

- Для встановлення затягуйте стопорну гайку в бік, протилежний напрямку обертання різальної насадки.
- Щоб зняти стопорну гайку, відкручуйте її в бік обертання різальної насадки.

- Для послаблення чи затягування стопорної гайки користуйтеся торцевим гайковим воротком із довгою рукояткою. Стрілкою на рисунку позначено напрямок, в якому потрібно рухати гайковий вороток.



**ПОПЕРЕДЖЕННЯ:** Під час послаблення або затягування стопорної гайки існує ризик травмування об ніж. Перед виконанням цієї операції слід переконатися, що кожух ножа захищає руки від травмування.

**Зверніть увагу:** Переконайтеся, що обернути стопорну гайку вручну неможливо. Замініть гайку, якщо нейлонова прокладка не забезпечує зусилля, що дорівнює принаймні 1,5 Н·м. Стопорну гайку слід замінити, якщо її було використано близько 10 разів.

### Різальне обладнання

Обирайте й обслуговуйте різальне обладнання, щоб:

- отримати максимальну продуктивність різання;
- збільшити термін служби різального обладнання;
- виконувати вказівки щодо перевірки, догляду й обслуговування глушника;
- дотримуватися рекомендацій щодо кожухів для різального обладнання. Див. технічні дані.



**ПОПЕРЕДЖЕННЯ:** Користуйтеся ріжучими насадками лише з рекомендованими кожухами! Дивіться розділ «Технічні дані». Користуйтеся вказівками для ріжучих насадок для того, щоб перевірити правильність встановлення нитки й відповідність її діаметру.



**ПОПЕРЕДЖЕННЯ:** <ps "Body" 13>УВАГА! дефектна ріжуча насадка може збільшувати ризик аварій.

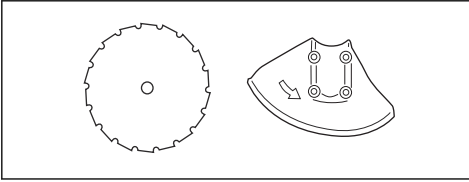


**ПОПЕРЕДЖЕННЯ:** Завжди зупиняйте двигун перед будь-якою роботою з ріжучою насадкою. Насадка продовжує обертатися, навіть коли важіль звільнено. Переконайтеся, що ріжуча

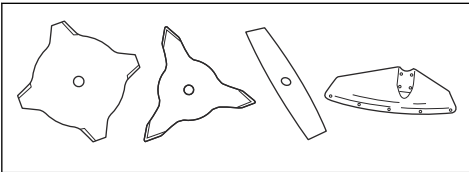
насадку повністю зупинилося, і від'єднайте ковпак свічки запалювання, перш ніж починати роботу з насадкою.

### Різальне обладнання

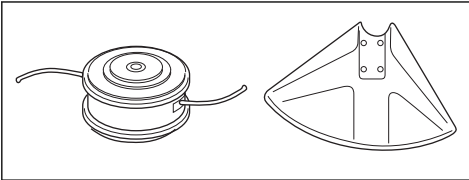
- Для зрізання волокнистих порід дерев використовуйте полотно пилки.



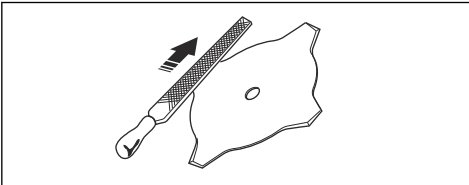
- Для скошування грубої трави використовуйте леза й ножі для трави.



- Для зрізання трави користуйтеся головкою тримера.



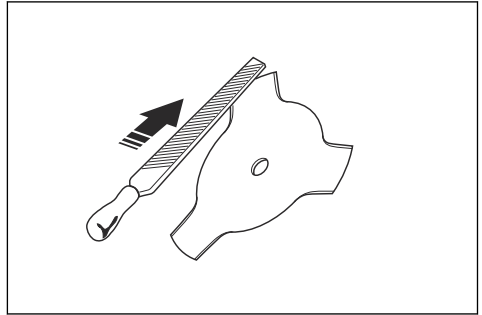
- Зубці ножа повинні бути правильно нагострені! дотримуйтеся наших вказівок та використовуйте напильник рекомендованого розміру. Зубці ножа повинні бути правильно загострені. Дотримуйтеся вказівок, наведених у розділі *Загострення різця та ножа для трави на сторінці 651* і використовуйте напилек рекомендованого розміру.



- Перевірка ріжучої насадки на наявність пошкоджень і тріщин. Пошкоджені ріжучі насадки необхідно замінювати.
- Користуйтеся різальними насадками лише з рекомендованими кожухами. Див. *Технічні характеристики на сторінці 666*.

### Леза

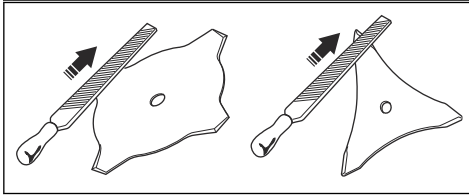
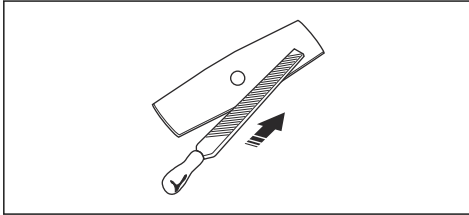
- Використовуйте лише відповідне лезо. Не використовуйте лезо, доки не буде належним чином встановлено всі необхідні деталі. Упевніться, що використовуються відповідні частини, а також що їх встановлено належним чином. Неправильне встановлення може призвести до від'єднання й відкидання леза та травмування оператора або інших осіб.
- Перед роботою з лезом або його технічним обслуговуванням надягайте захисні рукавиці.
- Під час роботи з виробом, оснащеним лезом, користуйтеся засобами захисту голови.
- Лезо може спричинити тяжкі травми, коли продовжує обертатися після вимикання двигуна або відпускання курка газу. Перш ніж проводити технічне обслуговування, упевніться, що лезо повністю зупинилося.
- Зупиняйте двигун перед будь-якими операціями з ріжучою насадкою. Упевніться, що ріжуча насадка повністю зупинилась. Від'єднайте кабель від свічки запалювання.
- Зубці ножа повинні бути правильно загострені.



- Не використовуйте пошкоджену різальну насадку.
- Перед транспортуванням або зберіганням виробу надягайте на лезо чохол для транспортування.

### Загострення різця та ножа для трави

- Усі краї лез і ножів для трави необхідно загострювати однаково, щоб зберегти рівновагу виробу. Використовуйте плоский напилек з одностороннім візерунком.

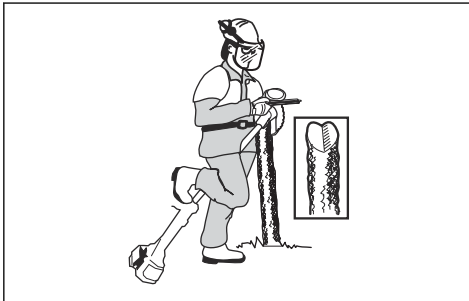


### Загострення полотна пилки

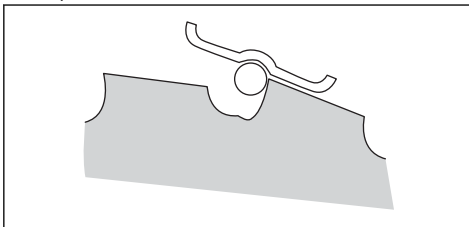


**ПОПЕРЕДЖЕННЯ:** Зупиніть двигун. Використовуйте захисні рукавички.

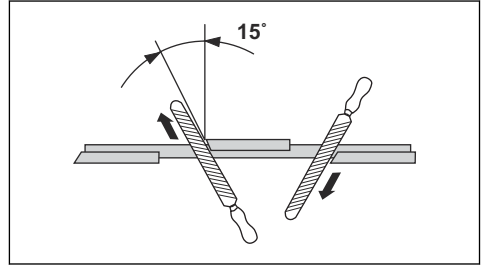
- Інструкції щодо загострення ножів постачаються разом із ними.
- Під час загострення переконайтеся, що виріб і ніж мають відповідну опору.



- Користуйтеся круглим напилком діаметром 5,5 мм із тримачем.

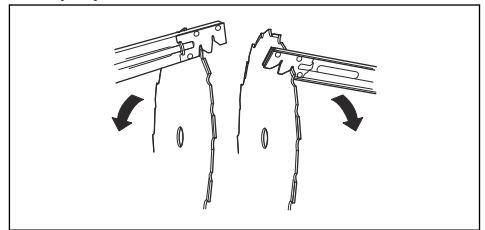


- Тримайте напилек під кутом 15°.
- Загострюйте один зубець полотна пилки вправо, а наступний – вліво, див. рисунок.



**Зверніть увагу:** Якщо ніж занадто зношений, загострюйте кромки зубців плоским напилком. Продовжуйте загострювання круглим напилком.

- Для підтримки рівноваги ножа всі кромки необхідно загострювати однаково.
- Налаштуйте відстань між зубцями 1 мм за допомогою рекомендованого інструмента для розведення. Ознайомтеся з інструкціями, що йдуть у комплекті з ножом.

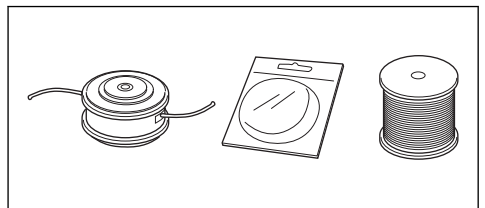


**ПОПЕРЕДЖЕННЯ:** У разі пошкодження ножі необхідно утилізувати. Не намагайтеся виврятати ножі й використовувати їх далі.

### Головка тримера



**ПОПЕРЕДЖЕННЯ:** Обов'язково переконайтеся, що нитка тримера надійно й рівномірно намотана на барабан, інакше під час роботи може виникати шкідлива вібрація.



- Використовуйте лише рекомендовані головки й нитки тримера.
- Користуйтеся лише рекомендованими різальними насадками.
- Для інструмента меншого розміру потрібні менші тримерні головки й навіпки.
- Довжина нитки тримера має значення. Довша нитка тримера вимагає потужнішого двигуна, ніж коротша нитка такого ж діаметру.
- Переконайтеся, що ніж на кожусі тримера в порядку. Він обрізує нитку до потрібної довжини.
- Щоб збільшити термін служби нитки тримера, її можна вимочувати у воді протягом декількох днів.
- Перед заправленням переконайтеся, що двигун охолонув.
- Перед заправленням повільно відкрийте кришку паливного бака, обережно зменшивши тиск.
- Не заправляйте виріб у приміщенні. Недостатнє провітрювання може призвести до травм або смерті внаслідок задухи чи отруєння монооксидом вуглецю.
- Обережно затягуйте кришку паливного бака, адже існує ризик виникнення пожежі.
- Перед запуском пересуньте виріб на 3 м від місця, де ви заправляли його.
- Не заливайте в паливний бак занадто багато палива.

### Заходи безпеки при заправці палива

- Не запускайте виріб, якщо на ньому залишилися пальне або моторна олива. Приберіть непотрібне пальне/оливу та дайте виробу просохнути. Приберіть непотрібне пальне з виробу.
- Якщо ви пролили пальне на свій одяг, негайно переодягніться.
- Не допускайте потрапляння пального на тіло, адже це може призвести до травм. Для видалення пального, що потрапило на тіло, використовуйте мило та воду.
- Не запускайте двигун у разі потрапляння оливи або пального на виріб або тіло.
- Не запускайте виріб у разі наявності протікання у двигуні. Регулярно перевіряйте двигун на протікання.
- Будьте обережні при поводженні з паливним. Пальне є легкозаймистою речовиною, а його пари вибухонебезпечні та можуть призвести до травм або смерті.
- Не вдихайте вихлопні гази, це може призвести до травм. Забезпечте належне провітрювання.
- Не паліть біля пального або двигуна.
- Не кладіть біля пального або двигуна теплі предмети.
- Не доливайте пальне в працюючий виріб.
- Переконайтеся у відсутності ризику протікань під час переміщення виробу або ємності для пального.
- Не залишайте виріб або ємність для пального біля відкритого вогню, джерела іскор або запальника. Переконайтеся, що в зоні зберігання відсутні джерела відкритого вогню.
- Під час переміщення або зберігання палива користуйтеся лише сертифікованими ємностями.
- Спустошуйте паливний бак перед тривалим зберіганням. Дотримуйтеся місцевого законодавства щодо утилізації пального.
- Очищуйте виріб перед тривалим зберіганням.
- Щоб двигун випадково не запустився, перед зберіганням необхідно зняти кабель свічки запалювання.

### Правила техніки безпеки під час обслуговування

- Якщо не вдається відрегулювати швидкість холостого ходу таким чином, щоб ріжуча насадка зупинилася, зверніться до сервісного центру. Не користуйтеся виробом, поки його добре не відрегулюють або полагодять.

---

## Збирання

---



**ПОПЕРЕДЖЕННЯ:** Перед збиранням виробу прочитайте розділ про правила техніки безпеки.



**ПОПЕРЕДЖЕННЯ:** Перед збиранням виробу необхідно від'єднати кабель від свічки запалювання.

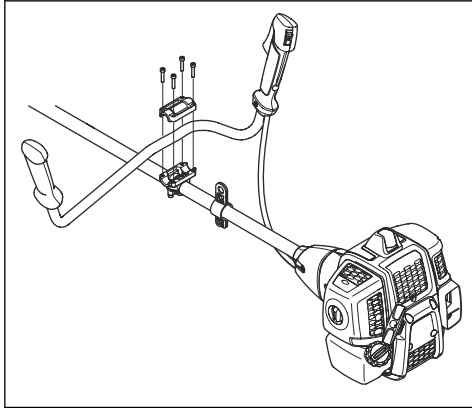
### Вступ



**ПОПЕРЕДЖЕННЯ:** Перед монтажем виробу обов'язково прочитайте й усвідомте зміст розділу про заходи безпеки.

## Процедура встановлення рукоятки

1. Приєднайте рукоятку до монтажного кронштейна, як показано на рисунку.



## Установлення лез і головок тримера



### ПОПЕРЕДЖЕННЯ:

Використовуйте лише сертифіковані кожухи для ножів. Див. *Технічні характеристики на сторінці 666*. Використання несправного кожуха може призвести до травмування.



### ПОПЕРЕДЖЕННЯ:

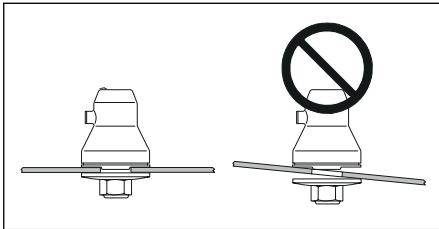
Якщо ви використовуєте виріб зі встановленим ножем для трави, спочатку слід установити відповідну рукоятку, кожух ножа та пасову підвіску.



### ПОПЕРЕДЖЕННЯ:

Якщо установити леза неправильно, це може призвести до травмування.

1. Упевніться, що піднята частина приводного диска/опорного фланця належним чином зчіплюється з центральним отвором лез.
2. Установіть леза.



## Установлення кожуха ножа, ножа для трави й різця для трави

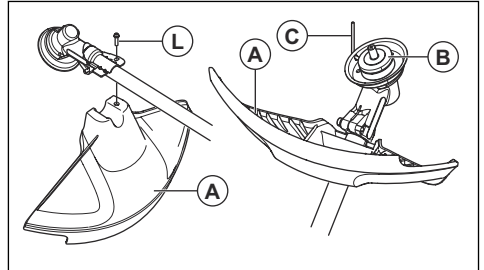


**УВАГА:** Використовуйте лише сертифіковані кожухи для ножів. Див. посібник користувача.

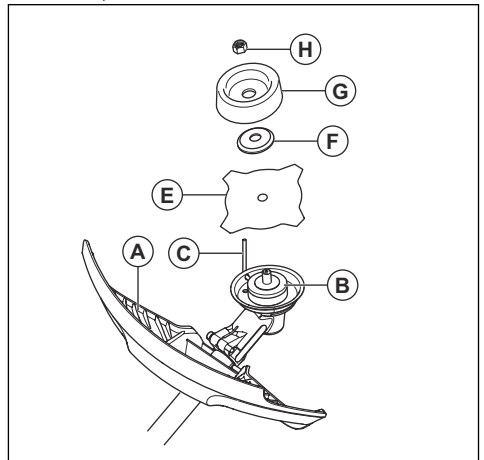


**УВАГА:** Переконайтеся, що подовжувач захисного кожуха прибраний.

1. Приєднайте кожух ножа / кожух ріжучої насадки (А) до вала й затягніть кріплення болтом (L).



2. Встановіть привідний диск (В) на вихідний вал.
3. Обертайте вихідний вал, доки один з отворів приводного диска не вирівняється з відповідним отвором у корпусі редуктора.
4. Вставте стопорний штифт (С) в отвір, щоб зафіксувати вал.
5. Установіть ніж (Е), опорний фланець (F) і опорну манжету (G) на вихідний вал.
6. Установіть гайку (H). Тримайте гайковий ключ якомога ближче до кожуха ножа. Затягуйте гайку в напрямку, протилежному напрямку обертання. Закрутіть гайку з моментом 35–50 Н·м (3,5–5,0 кг·м).

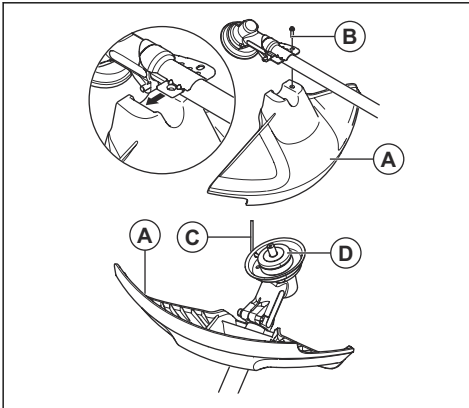


**Зверніть увагу:** Лівобічна нарізка.

### Установлення кожуха тримера й головки тримера

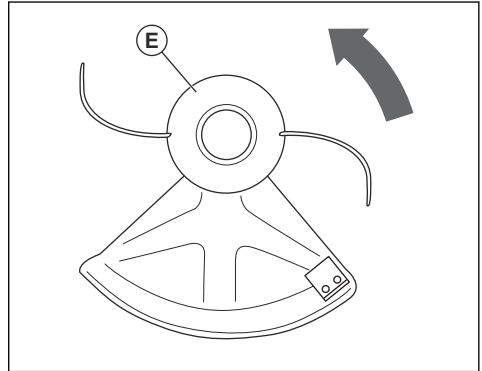
**Зверніть увагу:** Переконайтеся, що ви використовуєте правильний кожух і головку тримера.

1. Установіть відповідний кожух тримера / комбінований кожух (А) на головку тримера.
2. Установіть кожух тримера / комбінований кожух навколо вала й затягніть його за допомогою болта (В). Скористайтеся стопорним штифтом чи шестигранним ключем (С).



3. Вставте стопорний штифт або шестигранний ключ (С) у шліць на головці гвинта й затягніть гвинт.
4. Приєднайте приводний диск (D) до вихідного вала.
5. Обертайте вихідний вал, доки один з отворів приводного диска не суміститься з отвором у корпусі редуктора.
6. Вставте стопорний штифт або шестигранний ключ (С) в отвір, щоб зафіксувати вал.

7. Установіть головку тримера / пластикові леза (Е). Повертайте головку тримера / пластикові леза проти годинникової стрілки.



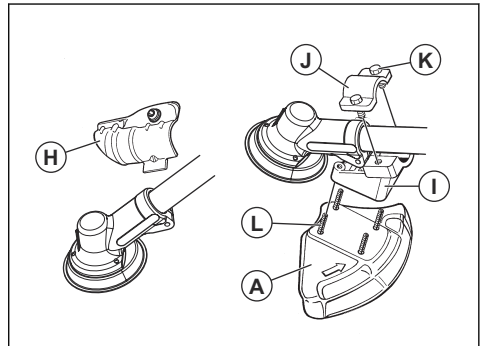
8. Під час демонтажу виконуйте всі кроки зворотному порядку.

### Установлення захисного кожуха й полотна пилки



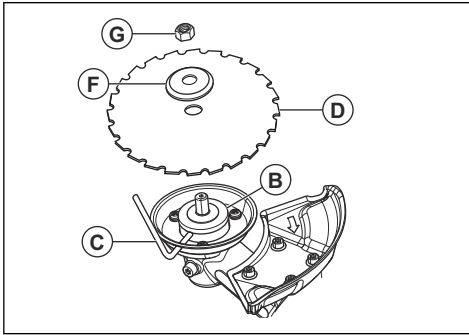
**УВАГА:** Використовуйте лише сертифіковані кожухи для ножів. Див. Технічні характеристики на сторінці 666.

1. Зніміть монтажну пластину (Н).
2. Установіть адаптер (I) і кронштейн (J) за допомогою двох гвинтів (К).
3. Установіть кожух для ножа (А) й адаптер за допомогою 4 гвинтів (L).



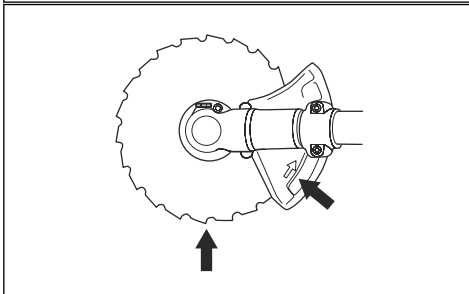
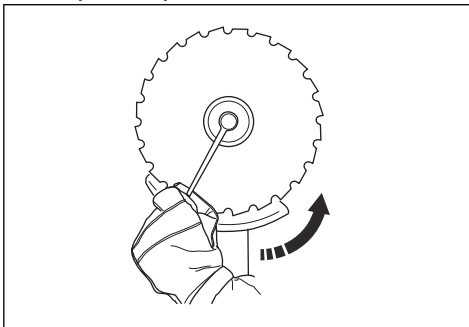
4. Встановіть приводний диск (В) на вихідний вал.
5. Обертайте вал ножа, доки один із отворів приводного диска не співпаде з відповідним отвором у корпусі редуктора.
6. Вставте стопорний штифт (С) в отвір, щоб зафіксувати вал.
7. Установіть ніж (D) та опорний фланець (F) на вихідний вал.

8. Установіть гайку (G). Зусилля затягування гайки повинно дорівнювати 35–50 Н·м (3,5–5,0 кг·м). Скористайтеся торцевим гайковим воротком із набору інструментів. Тримайте ручку торцевого гайкового ключа якомога ближче до захисного кожуха. Щоб затягнути гайку, повертайте ключ у напрямку, протилежному до напрямку обертання.



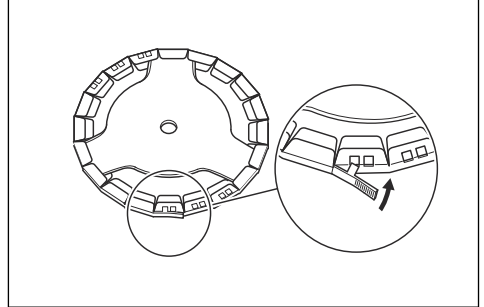
**Зверніть увагу:** Лівобічна нарізка.

9. Послаблюючи чи затягуючи гайку пилки, можна поранитися об зубці пилки. Отже, під час виконання такої роботи слід тримати руку так, щоб вона була прикрита захисним кожухом. Для цього завжди користуйтеся торцевим гайковим ключем із стержнем достатньої довжини. Стрілка на рисунку показує, як слід використовувати торцевий гайковий ключ, послаблюючи чи затягуючи гайку.



## Установлення чохла для транспортування

1. Прикріпіть чохол для транспортування на лезо, як показано на рисунку.



## Регулювання пасової підвіски

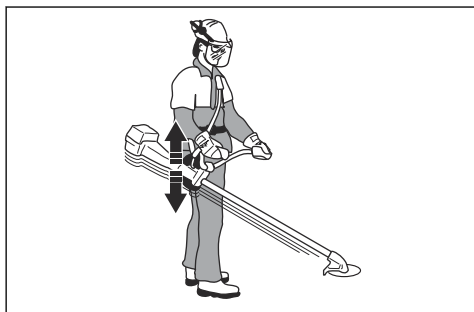


**ПОПЕРЕДЖЕННЯ:** Виріб має бути правильно приєднаним до пасової підвіски (кріплення). Ненадійне кріплення не дає змоги безпечно керувати виробом, що може призвести до травмування вас чи інших осіб. Не користуйтеся пошкодженим кріпленням. Не користуйтеся ременями з несправною системою швидкого звільнення.

1. Надягніть пасову підвіску.
2. Приєднайте виріб до пасової підвіски.
3. Якнайкраще припасуйте ремені для роботи.
4. Відрегулюйте бокові ремені, щоб маса виробу рівномірно розподілялася по плечах.



5. Відрегулюйте пасову підвіску таким чином, щоб різальна насадка була розташована паралельно землі.



6. Дозвольте різальній насадці злегка прилягти на землю. Відрегулюйте кріплення ременя таким чином, щоб виріб був правильно врівноважений.

**Зверніть увагу:** У разі використання ножа для трави він має бути врівноважений на рівні близько 10 см (4 дюйми) над землею.

## Експлуатація



**ПОПЕРЕДЖЕННЯ:** Перед використанням виробу уважно прочитайте розділ про правила техніки безпеки.



**УВАГА:** Не використовуйте бензин з октановим числом нижче 90 RON/87 AKI. Використання бензину з нижчим октановим числом може призвести до стукоту у двигуні та його пошкодження.

### Вступ



**ПОПЕРЕДЖЕННЯ:** Перед експлуатацією виробу обов'язково прочитайте й усвідомте зміст розділу про заходи безпеки.

### Масло для двотактних двигунів

- Для досягнення найкращих результатів і продуктивності використовуйте масло McCulloch для двотактних двигунів.
- Якщо масла McCulloch для двотактних двигунів немає, використовуйте інше високоякісне масло для двотактних двигунів із повітряним охолодженням. Щоб вибрати правильне масло, зверніться до свого дилера з обслуговування.

### Паливо

Цей виріб оснащений двотактним двигуном.



**УВАГА:** Заправлення паливом невідповідного типу може призвести до пошкодження двигуна. Використовуйте суміш бензину й масла для двотактних двигунів.



**УВАГА:** Не використовуйте оливу для двотактних двигунів із водяним охолодженням, яку також називають зовнішньою оливою. Не використовуйте масло для чотирихотактних двигунів.

### Попередньо змішане паливо

- Для найкращої продуктивності та подовження терміну служби двигуна використовуйте попередньо змішане алкілатне паливо McCulloch. Це паливо містить менш шкідливі хімічні речовини порівняно зі звичайним. Завдяки цьому зменшується шкідливий вплив вихлопних димів. Кількість залишків після згорання цього палива менша, завдяки чому компоненти двигуна залишаються більш чистими.

### Змішування палива

#### Бензиновий двигун

- Використовуйте високоякісний неетилований бензин із максимальним вмістом етанолу 10 %.

### Змішування бензину та оливи для двотактних двигунів

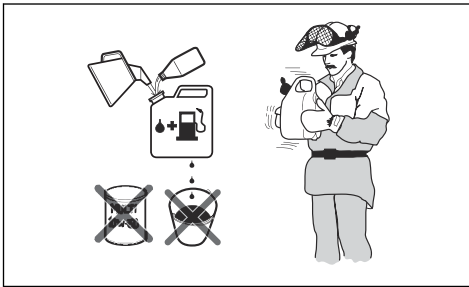
Бензин, л	Масло для двотактних двигунів, л
	<b>2 % (50:1)</b>
5	0,10
10	0,20
15	0,30



20	0,40
<b>Американський галон</b>	<b>Американська рідка унція</b>
1	2 ½
2 ½	6 ½
5	12 ½



**УВАГА:** У разі змішування невеликої кількості палива навіть незначні неточності можуть значно вплинути на пропорцію суміші. Щоб отримати правильну суміш, точно вимірюйте кількість масла.



1. Влийте половину об'єму бензину в чистий резервуар для палива.
2. Додайте всю оливу.
3. Перемішайте паливну суміш.
4. Влийте решту бензину в резервуар.
5. Обережно перемішайте паливну суміш.



**УВАГА:** Не змішуйте за один раз палива більше, ніж необхідно на 1 місяць роботи.

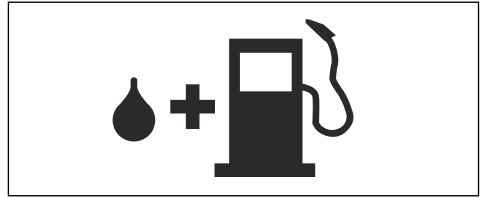
### Заправлення паливного бака



**ПОПЕРЕДЖЕННЯ:** Задля своєї безпеки виконуйте вказану далі процедуру.

1. Зупиніть двигун і дайте йому охолонути.

2. Витріть поверхню біля кришки паливного бака.



3. Струсіть контейнер та переконайтеся, що суміш повністю перемішана.
4. Повільно відкрутіть кришку паливного бака, щоб скинути тиск.
5. Наповніть паливний бак.



**УВАГА:** Упевніться, що в паливному баку не дуже багато палива. Паливо розширюється, коли стає гарячим.

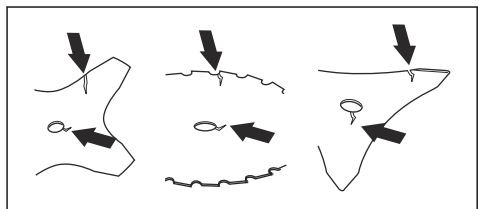
6. Обережно затягніть кришку паливного бака.
7. Видаляйте пролите паливо на виробі або навколо нього.
8. Перед запуском двигуна перенесіть виріб не менш ніж на 3 метри (10 футів) від місця заправлення та ємності з паливом.

**Зверніть увагу:** Розташування паливного бака на виробі див. у розділі *Огляд виробу на сторінці 642*.

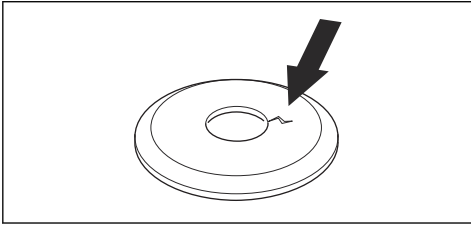
## Запуск і зупинення роботи

### Перед початком роботи з виробом

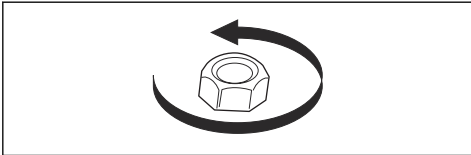
- Огляньте робочу ділянку й переконайтеся, що ви ознайомилися з видом місцевості, нахилом землі та наявністю перешкод на кшталт каменів, гілок та ям.
- Проведіть загальний огляд виробу.
- Проведіть перевірки безпеки, технічне й інше обслуговування, наведені в цьому керівництві.
- Переконайтеся, що всі кришки, захисні кожухи, ручки й різальне обладнання встановлені правильно та не пошкоджені.
- Переконайтеся, що на зубцях полотна пилки чи ножа для трави або на центральному отворі ножа немає тріщин. Якщо ніж пошкоджений, замініть його.



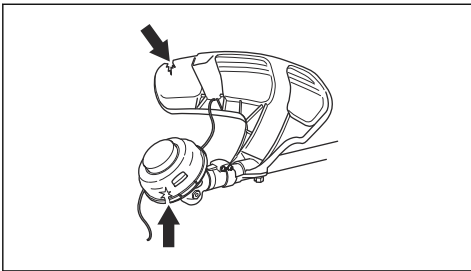
- Перевірте опорний фланець на наявність тріщин. Якщо опорний фланець пошкоджений, замініть його.



- Переконайтеся, що стопорну гайку неможливо зняти вручну. Якщо ви можете зняти її вручну, це означає, що вона недостатньо фіксує ріжучу насадку й потребує заміни.



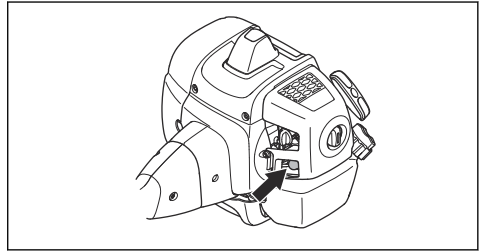
- Перевірте кожух ножа на наявність пошкоджень або тріщин. Якщо кожух ножа пошкоджений або має тріщини, замініть його.
- Перевірте головку тримера й захисний кожух ріжучої насадки на наявність пошкоджень або тріщин. Якщо головка тримера або захисний кожух ріжучої насадки пошкоджені або мають тріщини, замініть їх.



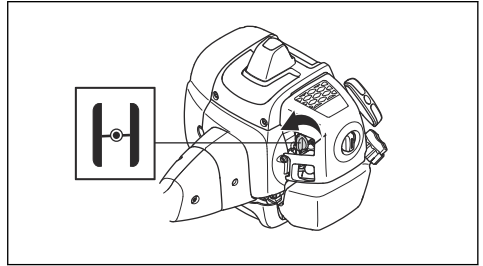
### Запуск двигуна

1. Розташуйте виріб на рівній стійкій поверхні. Тримайте ріжучу насадку над землею.

2. Декілька разів натискайте кнопку продувки повітрям, доки паливо не почне заповнювати її. Немає необхідності заповнювати її повністю.

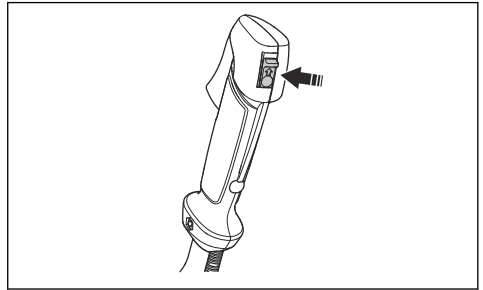


3. Переведіть важіль заслінки в закрите положення.

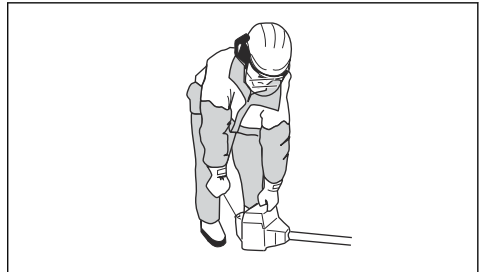


**ПОПЕРЕДЖЕННЯ:** Після ввімкнення двигуна із заслінкою ріжуча насадка почне одразу ж обертатися.

4. Установіть вимикач у положення RUN (Робота).



5. Лівою рукою притисніть корпус виробу до землі.



6. Утримуйте ручку троса стартера правою рукою.

- Повільно тягніть трос стартера правою рукою, доки не відчуєте опір.



**ПОПЕРЕДЖЕННЯ:** Не намотуйте трос стартера на руку.

- Потім потягніть трос різко й сильно. Смикайте за трос, доки не запуститься двигун.

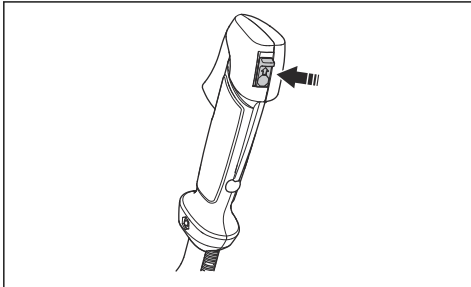


**УВАГА:** Не витягуйте трос стартера повністю й не відпускайте ручку на ньому, якщо трос повністю витягнутий. Це може призвести до пошкодження виробу.

- Коли двигун запуститься, поверніть заслінку в початкове положення.
- Коли двигун запрацює, повільно натискайте на курок газу.
- Перш ніж починати роботу, упевніться, що двигун працює плавно, і дайте йому нагрітися (1–2 хвилини).

### Вимкнення виробу

- Для зупинки двигуна натисніть вимикач.



### Віддача ножа

- Віддача ножа – це несподіваний рух виробу вбік, вперед чи назад. Віддача виникає, коли ніж для трави натрапляє на предмет, який неможливо зрізати. Ризик віддачі зростає під час роботи на ділянках, де погано видно, що саме скошується.
- Віддача ножа може відштовхнути виріб чи оператора. Лезо, що обертається, може нанести травми сторонній особі.
- Якщо лезо зігнулося, тріснуло, зламалося чи ушкоджене будь-яким іншим чином, припиніть його використання.
- Використовуйте гостре лезо. Якщо лезо затупилося, ризик віддачі зростає.

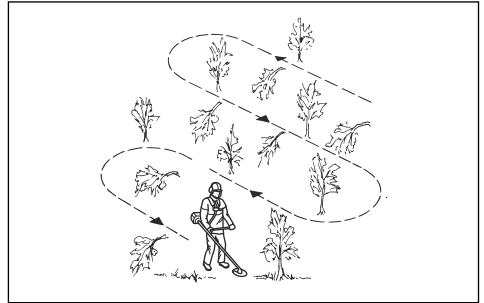
### Загальні робочі інструкції



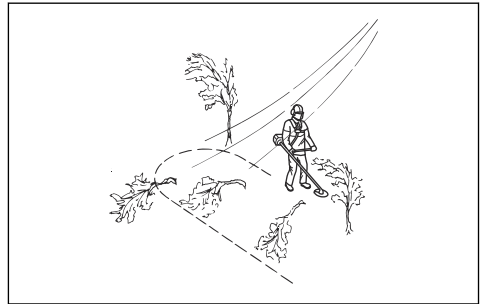
**ПОПЕРЕДЖЕННЯ:** Будьте обережні під час зрізання нахилених дерев. Воно може розпрямитися до або

після зрізання та вдарити вас чи виріб, що може призвести до травм.

- Очистьте ділянку з однієї сторони робочої зони й почніть роботу звідти.
- Переміщення робочою зоною має здійснюватись за запланованим маршрутом.



- Переміщуйте виріб на максимально можливу відстань ліворуч і праворуч, щоб із кожним поворотом очищувати зону в 4–5 м.
- Перед розвертанням і поверненням прочистьте ділянку довжиною 75 м. У міру просування переміщайте із собою каністру з паливом.
- Рухайтесь у такому напрямку, щоб не зустрічати ями й перешкоди частіше, ніж це необхідно.
- Рухайтесь у такому напрямку, щоб вітер здував зрізану рослинність на вже очищену ділянку.



- Рухайтесь вздовж схилів, а не вгору – вниз.

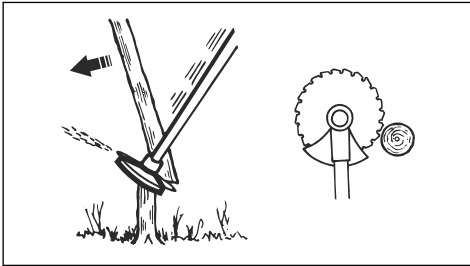
### Розчищення лісу полотном пилки

#### Повалення дерева вліво

Щоб повалити дерево вліво, притисніть низ дерева вправо.

- Повністю натисніть курок газу.
- Установіть полотно пилки проти дерева так, як показано на ілюстрації.

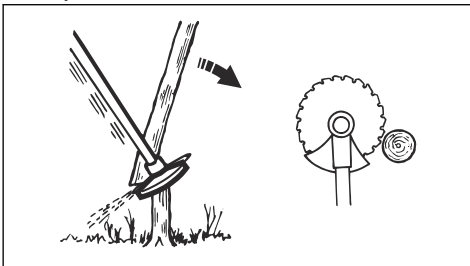
3. Поверніть полотно пилки й силою натисніть на нього, щоб воно пішло по діагоналі вправо та вниз. Одночасно натисніть на стовбур захисним кожухом ножа.



### Повалення дерева вправо

Щоб повалити дерево вправо, притисніть низ дерева вліво.

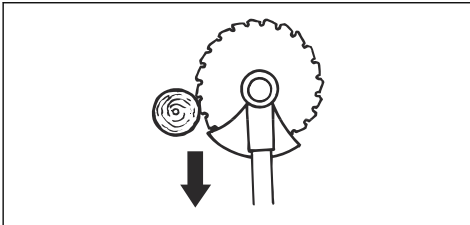
1. Повністю натисніть курок газу.
2. Установіть полотно пилки проти дерева так, як показано на ілюстрації.
3. Поверніть полотно пилки й силою натисніть на нього, щоб воно пішло по діагоналі вправо та вгору. Одночасно натисніть на стовбур захисним кожухом ножа.



### Повалення дерева вперед

Щоб повалити дерево вперед, притисніть низ дерева назад.

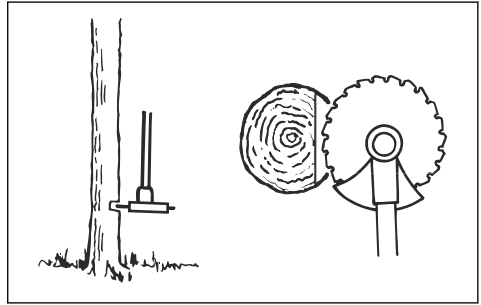
1. Повністю натисніть курок газу.
2. Установіть полотно пилки проти дерева так, як показано на ілюстрації.
3. Швидким рухом притисніть полотно пилки вперед.



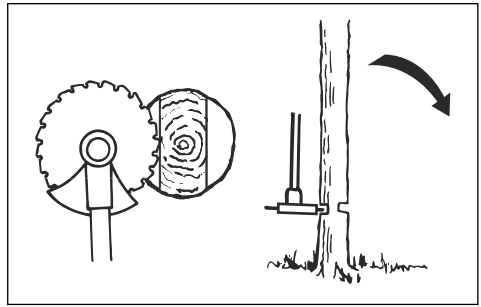
### Повалення великих дерев

Великі дерева необхідно підрізати з двох боків.

1. Визначте, в якому напрямку впаде дерево.
2. Повністю натисніть курок газу.
3. Зробіть перший надріз на тій стороні, куди повинно впасти дерево.



4. Почніть різати дерево з іншої сторони.



**УВАГА:** Якщо полотно пилки застрягне, не витягуйте виріб різкими рухами. Це може пошкодити полотно пилки, конічну зубчасту передачу, вал або рукоятку. Відпустіть ручки, обхопіть обома руками вал й обережно витягніть виріб.

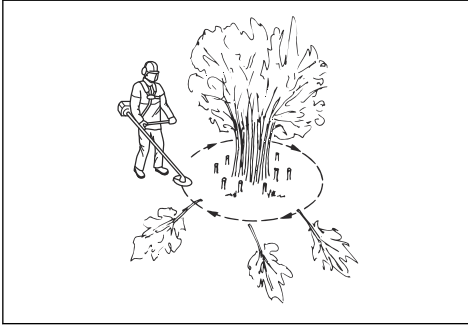
**Зверніть увагу:** Для повалення невеликих дерев застуйте до пилки більший тиск. Для повалення великих дерев застосовуйте до пилки менший тиск.

### Зрізання кущів полотном пилки

Щоб повалити дерево вліво, притисніть низ дерева вправо.

- Зрізайте тонкі дерева й кущі.
- Переміщуйте виріб зі сторони в сторону.
- Зрізайте кілька дерев за один рух.

- Повалення скупчень тонких дерев:



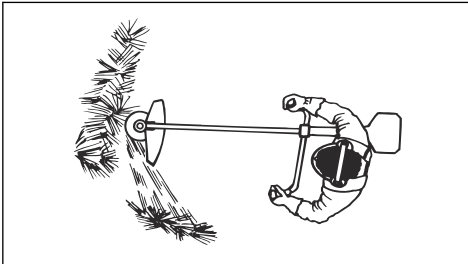
- Зріжте верхівки дерев, що знаходяться ззовні скупчення.
- Зріжте дерева, що знаходяться ззовні скупчення, до потрібної висоти.
- Ріжте починаючи із центру. Якщо ви не можете отримати доступ до центру, зріжте верхівки дерев, що знаходяться ззовні скупчення, і дайте їм впасти. Це зменшує ризик застрягання полотна пилки.

## Косіння трави за допомогою ножа для трави



**УВАГА:** Забороняється використовувати ножі для трави під час роботи з деревами. Використовуйте ножі для трави лише під час роботи з високою чи щільною травою.

- Переміщуйте виріб із сторони в сторону.
- Під час скошування починайте рух справа наліво. Перед наступним скошуванням переміщуйте виріб знову вправо.
- Зрізайте траву лівою стороною ножа.



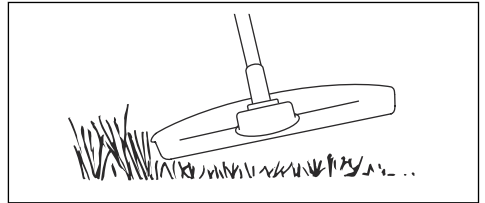
- Нахиліть ніж для трави ліво, що трава падала в лінію. Це спрощує її збирання.
- Займайте стійке положення, розставивши ноги.
- Після кожного руху вправо переміщуйтеся вперед і займайте стійке положення, щоб продовжити косіння.

- Легким зусиллям притискайте опорну манжету до землі, щоб запобігти торканню її ножем для трави.
- Дотримуйтеся наступних інструкцій, щоб зменшити ризик обмотування скошеного матеріалу навколо ножа для трави:
  - Повністю натисніть курок газу.
  - Під час переміщення виробу зліва направо не проводьте ножем для трави крізь скошений матеріал.
- Перед збиранням скошеного матеріалу зупиніть двигун і зніміть виріб із пасагової підвіски. Покладіть виріб на землю.

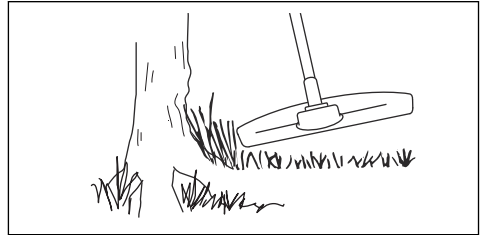
## Підстригання трави за допомогою головки тримера

### Підстригання трави

- Тримайте головку тримера під кутом безпосередньо над землею. Не вдавлюйте нитку тримера в траву.



- Зменште довжину нитки тримера на 10–12 см / 4–4,75 дюйма.
- Зменште частоту обертання двигуна, щоб зменшити ризик пошкодження рослин.
- Під час зрізання трави поблизу предметів використовуйте 80 % потужності.



### Проріджування трави

- Тримайте головку тримера над землею.
- Нахиліть її.
- Скошуйте траву навколо предметів кінчиками нитки.

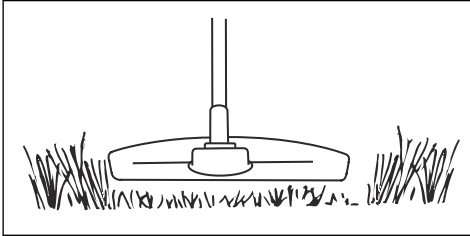


**УВАГА:** Скосіть траву. Потрапляння нитки на інші предмети прискорює її зношування.

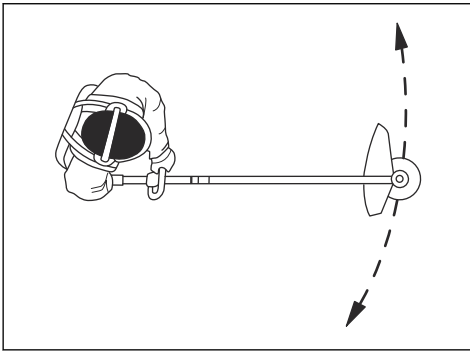
4. Під час скошування та проріджування рослинності використовуйте 80 % швидкості. Це зменшує зношування головки й нитки тримера.

### Зрізання трави

1. Під час зрізання трави нитка тримера має бути паралельна землі.



2. Не вдвлюйте голівку тримера в землю. Це може призвести до пошкодження виробу.
3. Під час зрізання трави переміщуйте виріб зі сторони в сторону. Використовуйте максимальну швидкість.



### Підмітання трави

Потік повітря від нитки тримера, що обертається, можна використати для прибирання трави.

1. Утримуйте головку та нитку тримера над землею й паралельно землі.
2. Повністю натисніть курок газу.
3. Переміщуйте головку тримера зі сторони в сторону й підмітайте таким чином траву.



**ПОПЕРЕДЖЕННЯ:** Очищуйте кришку головки тримера кожний раз під час встановлення нової нитки, адже це дозволить уникнути розбалансування й вібрації в рукоятках. Крім того, перевіряйте інші частини головки тримера й за необхідності очищуйте їх.

## ТЕХНІЧНЕ ОБСЛУГОВУВАННЯ

### Вступ

прочитайте розділ про правила техніки безпеки.



**ПОПЕРЕДЖЕННЯ:** Перед технічним обслуговуванням уважно

### Графік технічного обслуговування

Технічне обслуговування	Щодня	Щотижня	Щомісяця
Очищення зовнішньої поверхні.	X		
Перевірка пасової підвіски на наявність пошкоджень.	X		
Перевірка стопора курка газу й курка газу. Див. <i>Перевірка блокування курка газу на сторінці 647.</i>	X		

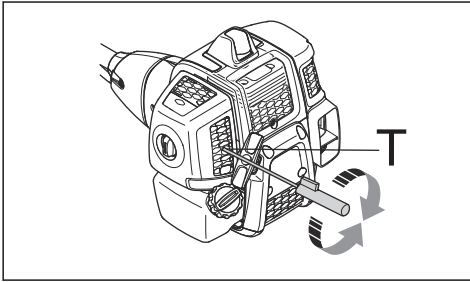
Технічне обслуговування	Щодня	Щотижня	Щомісяця
Перевірка ручок і рукояток на наявність пошкоджень та правильність їх закріплення.	X		
Перевірте перемикач START/STOP (Пуск/Стоп). Див. <i>Перевірка вимикача на сторінці 647.</i>	X		
Перевірка відсутності обертання різальної насадки на холостому ходу.	X		
Почистьте повітряний фільтр. У разі виявлення пошкоджень замініть деталь.	X		
Перевірка захисного кожуха різальної насадки на наявність пошкоджень і тріщин.	X		
Переконайтеся, що полотно пилки чи ніж для трави встановлено правильно. Переконайтеся в гостроті й відсутності пошкоджень на полотні пилки чи ножи для трави.	X		
Перевірка головки тримера на наявність пошкоджень і тріщин. У разі виявлення пошкоджень замініть деталь.	X		
На різальних насадках зі стопорними гайками необхідно повністю затягнути стопорну гайку.	X		
Перевірка чохла для транспортування на наявність пошкоджень і можливість його правильного закріплення.	X		
Затягніть гвинти й гайки.	X		
Перевірка двигуна, паливного бака й бензопроводів на наявність витоків.	X		
Перевірка стартера й троса стартера на наявність пошкоджень.		X	
Перевірка свічки запалювання. Див. <i>Перевірка свічки запалювання на сторінці 665.</i> За необхідності замініть свічку запалювання. Переконайтеся, що свічка запалювання має обмежувач напруги.		X	
Очищення зовнішньої поверхні карбюратора й місця довкола нього.		X	
Упевніться, що конічна зубчаста передача належним чином заповнена мастилом. Див. <i>Зубчаста передача на сторінці 665.</i>		X	
Перевірка наявності домішок у паливному фільтрі, а також тріщин чи інших дефектів на шлангу подачі палива. Замініть, якщо це необхідно.			X
Перевірка всіх кабелів та з'єднань.			X
Заміна свічки запалювання. Переконайтеся, що свічка запалювання має обмежувач напруги.			X

## Налаштування частоти холостого ходу

Змінення налаштувань шпильки витрати пального за високої частоти обертання й шпильки витрати пального за низької частоти обертання не передбачене. Регулювати можна тільки кількість обертів на холостому ходу.

1. Запустіть двигун і впевніться, що він прогрівся, перш ніж починати регулювати швидкість холостого ходу.

2. Повертайте гвинт частоти холостого ходу за годинниковою стрілкою, доки різальна насадка не почне обертатися.



3. Повертайте гвинт частоти холостого ходу проти годинникової стрілки, доки різальна насадка не зупиниться.
4. Частота холостого ходу має бути нижчою за частоту, на якій починає обертатися насадка. Частоту обертання на холостому ході відрегульовано правильно, якщо двигун працює рівномірно в будь-якому положенні.

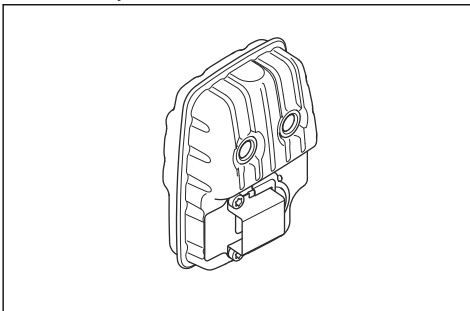
## Технічне обслуговування глушника

Глушник знижує рівень шуму й відводить вихлопні гази від користувача.

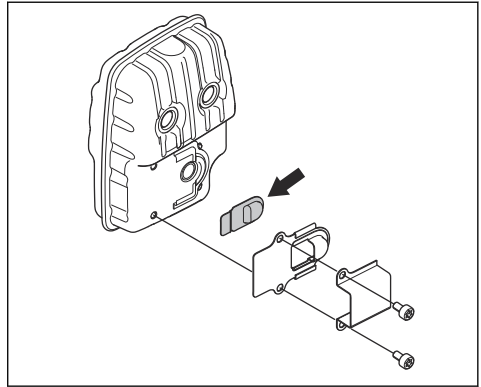


**ПОПЕРЕДЖЕННЯ:** Глушники, обладнані каталітичним допалювачем газів, дуже сильно нагріваються під час роботи та залишаються гарячими впродовж деякого часу після зупинки виробу. Це відбувається й тоді, коли двигун працює на холостому ході. Контакт із виробом може призвести до опіків. Ви маєте усвідомлювати ризик виникнення пожежі.

1. Зупиніть виріб і дайте йому охолонути.
2. Зніміть глушник.



3. Зніміть гвинти, які втримують іскрогасник.



4. Очистьте іскрогасник, якщо його заблоковано, або замініть його в разі пошкодження.



**УВАГА:** Якщо іскрогасник пошкоджений, його необхідно замінити. Забороняється використовувати виріб у разі відсутності або пошкодження іскрогасника.



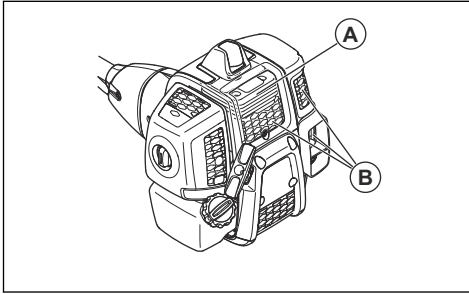
**УВАГА:** Якщо іскрогасник часто забивається, це свідчить про те, що робота каталітичного допалювача газів погіршилась. Зверніться до сервісного центру, щоб перевірити глушник. Робота із забитим іскрогасником спричинить перегрів, що призведе до пошкодження циліндру та поршня.

## Очищення/обслуговування системи охолодження

Цей виріб оснащений системою охолодження. Забруднена чи заблокована система охолодження може спричинити перегрів виробу, що призведе до пошкодження поршня й циліндра. Перевіряйте й очищуйте систему охолодження за допомогою щітки щотижня або за необхідності частіше. Система



охолодження містить ребра охолодження на циліндрі (А) і всмоктувач повітря (В).



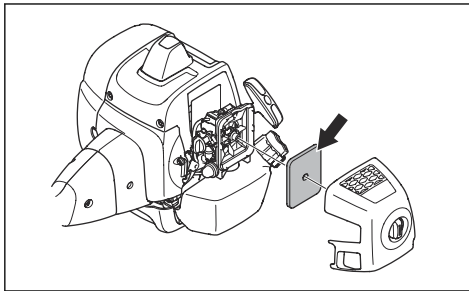
## Повітряний фільтр

Брудний повітряний фільтр може призвести до несправності карбюратора, проблем із запуском, втрати потужності двигуна й зношування його деталей. Це також призводить до збільшення споживання палива. Очищувати фільтр слід кожні 8 годин або частіше за умови роботи з виробом у запиленому середовищі.

**Зверніть увагу:** Після очищення або заміни повітряного фільтра може знадобитися регулювання двигуна. Див. *Налаштування частоти холостого ходу на сторінці 663.*

## Чищення й перевірка повітряного фільтра

1. Вийміть повітряний фільтр.



2. Очистьте повстятий повітряний фільтр стисненим повітрям.

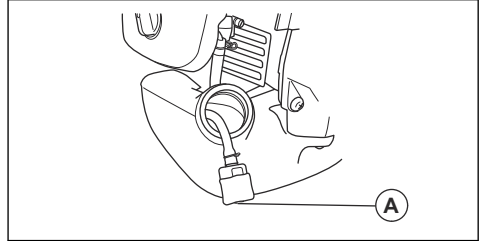


**УВАГА:** Якщо повстятий повітряний фільтр неможливо повністю очистити, замініть його. Завжди замінійте повстятий повітряний фільтр, якщо його пошкоджено.

3. Очищуйте внутрішні поверхні кришки фільтра. Для цього використовуйте стиснене повітря чи щітку.

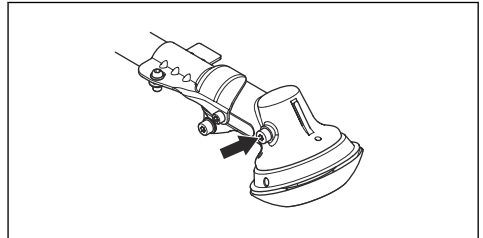
## Паливний фільтр

Якщо подача палива у двигун зменшується, переконайтеся в тому, що вентиляційний отвір у кришці паливного баку й паливний фільтр (А) чисті.



## Зубчаста передача

Зубчасту передачу наповнюють належною кількістю мастила на заводі. Але перед використанням виробу необхідно переконаватися, що зубчаста передача на 3/4 наповнена мастилом. Користуйтеся спеціальним мастилом McCulloch.



Заміна мастила в зубчастій передачі не обов'язкова, якщо не виконується ремонт зубчастої передачі.

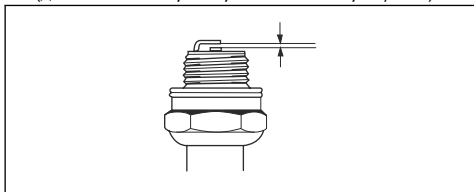
## Перевірка свічки запалювання



**УВАГА:** Завжди користуйтеся рекомендованими свічками запалення. Неправильний тип свічки запалювання може призвести до пошкодження виробу.

- У разі, якщо двигун втрачає потужність, його важко запустити або він погано працює на холостому ходу, необхідно перевірити свічку запалювання.
- Щоб зменшити ризик потрапляння зайвих предметів на електроди свічки запалювання, дотримуйтеся таких інструкцій:
  - a) переконайтеся, що швидкість холостого ходу встановлено правильно;
  - b) переконайтеся в правильності змішування паливної суміші;
  - c) переконайтеся, що повітряний фільтр чистий.

- Якщо свічка запалювання забруднена, її слід очистити й переконатися в тому, що між електродами встановлено правильний проміжок (див. *Технічні характеристики на сторінці 666*).
- За необхідності замініть свічку запалювання.



## Технічні характеристики

	B40 B Elite	B40 BT Elite
<b>Двигун</b>		
Об'єм циліндра, см <sup>3</sup>	40,1	40,1
Діаметр циліндра, Ø мм	40,5	40,5
Довжина такту циліндра, мм	31,1	31,1
Холостий хід, об/хв	3000	3000
Рекомендована максимальна частота обертання, об/хв	12000	12000
Частота обертання вихідного вала, об/хв	8220	8220
Максимальна потужність двигуна, відповідно до ISO 8893, кВт за об./хв	1,5 за 9000	1,5 за 9000
<b>Система запалювання</b>		
Свічка запалювання	NGK CMR7H-10	NGK CMR7H-10
Проміжок між електродами, мм	0,9–1,0	0,9–1,0
<b>Паливна система й система змащування</b>		
Виробник / тип карбюратора	Ruixing H225D-	Ruixing H225D-
Ємність паливного бака, л / см <sup>3</sup>	1 / 1000	1 / 1000
<b>Маса</b>		
Без палива, різальної насадки та захисного кожуха, кг	7,3	7,4
<b>Випромінювання шуму<sup>73</sup></b>		
Рівень звукової потужності вимірний, дБ (A)	112	112
Гарантований рівень звукової потужності, L <sub>WA</sub> дБ(A)	118	118

<sup>73</sup> Випромінювання шуму в середовище, виміряне як звукова потужність (L<sub>WA</sub>), відповідає директиві ЄС 2000/14/ЄС. Заявлений рівень звукової потужності даної машини було заміряно під час роботи оригінальної шини пилки, що дає найбільший рівень шуму. Різниця між гарантованим та вимірним рівнем звукової потужності полягає в тому, що гарантований рівень звукової потужності також враховує розкид у результатах вимірювання та відміни між різними машинами однієї тієї ж моделі згідно з Директивою 2000/14/ЄС.

	B40 B Elite	B40 BT Elite
<b>Рівні шуму<sup>74</sup></b>		
Еквівалентний рівень шумового тиску у вусі оператора, виміряний у відповідності до стандартів EN ISO 11806 і ISO 22868, дБ(А), мінімум / максимум		
Обладнано голівкою тримера (оригінальна деталь).	100	100
Обладнано ножем для трави (оригінальна деталь)	99	99
Обладнано полотном пилки (оригінальна деталь)	–	99
<b>Рівні вібрації<sup>75</sup></b>		
Еквівалент рівнів вібрації ( $a_{Hv,eq}$ ) у рукоятках, виміряний відповідно до стандартів EN ISO 11806 й ISO 22867, $m/c^2$		
3 головною тримера (оригінал), лів./прав.	3,4 / 4,4	3,4 / 4,4
Обладнано лезом для трави (оригінальна деталь), лів./прав.	5,2 / 5,1	5,2 / 5,1
Обладнано полотном пилки (оригінальна деталь), праве / ліве	–	4,5 / 4,2

<b>B40 B Elite, B40 BT Elite</b>		
<b>Схвалені аксесуари</b>	<b>Тип</b>	<b>Захисний кожух різальної насадки, арт. №</b>
Діаметр центрального отвору в ножах / різцях, Ø 25,4 мм		
Різьблення вихідного вала M12		
Ніж для трави / різець для трави	Ніж для трави 255-4 1 дюйм (Ø 255 4 зубці)	580 30 50-01
	Ніж для трави 255-3 (Ø 255, 3 зубці)	580 30 50-01
Полотно пилки	Полотно пилки 200-22 (Ø 200, 22 зубці)	581 33 84-01
Головка тримера	P35	580 30 50-01
Опорна манжета	Фіксована	–

<sup>74</sup> Заявлені дані про еквівалентний рівень звукового тиску мають стандартну статистичну розбіжність (стандартне відхилення) в 1 дБ(А).

<sup>75</sup> Указані дані щодо рівня вібрації мають стандартну статистичну розбіжність (стандартне відхилення) у 1  $m/c^2$ .

---

# Декларація відповідності ЄС

---

## Декларація відповідності ЄС

**Husqvarna AB**, SE-561 82 Huskvarna, Швеція, тел.: +46-36-146500, заявляємо, що тримери **McCulloch B40 B Elite** із серійними номерами, що датуються будь-яким роком, починаючи з 2021 (рік чітко зазначено на паспортній табличці перед серійним номером), відповідають вимогам директив ЄВРОПЕЙСЬКОЇ РАДИ:

- від 17 травня 2006 р. «Стосовно механічного обладнання» **2006/42/EC**;
- від 26 лютого 2014 р. «Про електромагнітну сумісність» **2014/30/EU**
- від 8 травня 2000 р. «Про випромінювання шуму до навколишнього середовища» **2000/14/EC**; Визначення відповідності згідно з Додатком V. Відомості стосовно випромінювання шуму див. у розділі «Технічні дані».
- Від 8 червня 2011 р. «Про обмеження використання деяких небезпечних речовин в електричному та електронному обладнанні» **2011/65/EU**.

Застосовано такі стандарти:

**EN ISO 12100:2010, CISPR 12:2007+A1:2009, EN ISO 14982:2009, EN ISO 11806-1:2011, EN IEC 63000:2018**

RISE SMP Svensk Maskinprovning AB, Box 7035, SE-750 07 Uppsala, Sweden зробила типову перевірку від імені Husqvarna AB. Посвідчення пронумеровані: **SEC/12/2339** - B40 B Elite, B40 VT Elite

Крім того, RISE SMP Svensk Maskinprovning AB затвердила відповідність до додатку V директиви ради ЄС 2000/14/EG.

Huskvarna, 2020-08-25



Пер Мартінсон (Pär Martinsson), директор із питань розвитку (уповноважений представник компанії Husqvarna AB, що відповідає за технічну документацію)

---

## CUPRINS

---

Introducere.....	669	Întreținerea.....	689
Siguranță.....	671	Date tehnice.....	693
Asamblarea.....	679	Declarație de conformitate CE.....	695
Funcționarea.....	683		0

---

## Introducere

---

### Descrierea produsului

Acest produs este o mototunealtă cu motor cu combustie.

Se depun eforturi constant pentru a vă spori siguranța și eficiența în timpul funcționării. Adresați-vă reprezentantului de service pentru informații suplimentare.

### Domeniul de utilizare

Utilizați produsul cu o lamă de ferăstrău, o lamă de tăiat iarba sau un cap de tuns pentru a tăia diferite tipuri de

vegetație. Nu utilizați produsul pentru alte activități decât tunsul gazonului, curățarea ierbii și curățarea copacilor. Utilizați o lamă de ferăstrău pentru a tăia fibre lemnoase. Utilizați o lamă de tăiat iarba sau un cap de tuns pentru a tăia iarba.

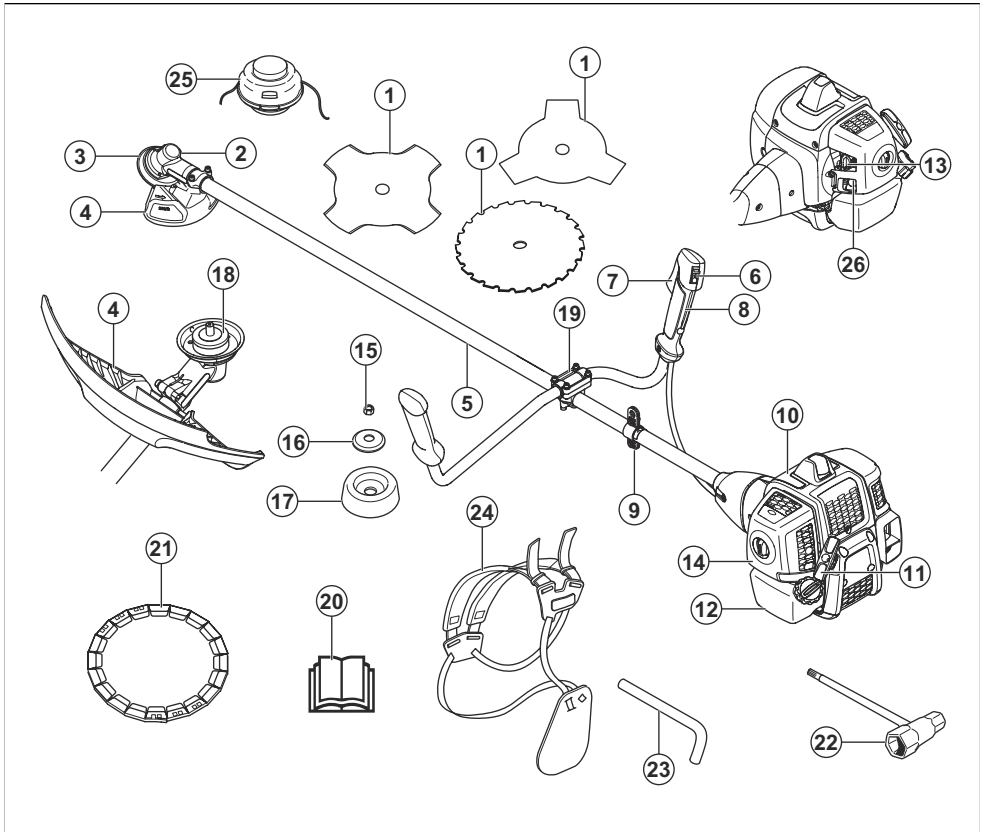
---

**Nota:** Utilizarea poate fi reglementată de norme naționale sau locale. Respectați reglementările aplicabile.

---

Utilizați produsul numai cu accesorii furnizate de producător. Consultați *Date tehnice la pagina 693*.

## Prezentarea generală a produsului



1. Lama (nu pentru toate piețele)
2. Bușon de umplere cu unsoare, angrenaj conic
3. Angrenaj conic
4. Apărătoarea accesoriului de tăiere
5. Arbore
6. Comutator de oprire
7. Pârghie accelerație
8. Mecanism de blocare a accelerației
9. Inel de susținere
10. Capac cilindru
11. Mâner de pornire
12. Rezervor de carburant
13. Acționare șoc
14. Capac filtru de aer
15. Contrapiuliță
16. Flanșă de susținere
17. Cupă de susținere
18. Disc de antrenare

19. Suport pentru bara de comandă a direcției
20. Manualul operatorului
21. Apărătoare pentru transport (nu pentru toate piețele)
22. Cheie articulată
23. Siguranță (pentru produsele fără cheia hexagonală)
24. Ham
25. Cap de tuns
26. Buton purjor aer

### Simbolurile de pe produs



**AVERTISMENT!** Acest produs este periculos. Dacă produsul nu este utilizat corect și cu atenție, operatorul sau persoanele din zonă pot suferi vătămări corporale sau deces. Pentru a preveni vătămarea corporală a operatorului sau a persoanelor din zonă, citiți și respectați toate instrucțiunile de siguranță din manualul operatorului.



Citiți cu atenție manualul operatorului și asigurați-vă că înțelegeți instrucțiunile înainte de utilizare.



Utilizați o cască de protecție în locuri unde pot cădea obiecte pe dvs. Utilizați un sistem omologat de protecție a auzului. Utilizați ochelari de protecție omologați.



Utilizați mănuși de protecție omologate.



Utilizați ghete pentru regim greu de lucru, rezistente la alunecare.



Produsul poate determina proiectarea de obiecte, ceea ce poate produce vătămări corporale.



Turația maximă a arborelui de ieșire.



Păstrați o distanță minimă de 15 m/50 ft față de persoane și animale în timpul utilizării produsului.



Risc de recul al lamei dacă echipamentul de tăiere atinge un obiect care nu este tăiat imediat. Produsul poate amputa părți ale corpului. Păstrați o distanță de minimum 15 m/50 ft față de persoane și animale în timpul utilizării produsului.



Utilizați numai un fir flexibil de tăiere. Nu utilizați elemente de tăiere metalice. Aplicați aceasta pentru apărătoarea pentru tăiat iarbă.



Săgețile indică limita pentru poziția mânerului.



Buton purjor.



Orificiu de umplere cu carburant.



Șoc.



Emisiile de zgomot în mediu, conform Directivei Europene 2000/14/CE și „Regulamentului New South Wales din 2017 privind operațiunile de protecție a mediului (controlul zgomotului)”. Datele privind emisiile de zgomot pot fi găsite pe eticheta utilajului și în *Date tehnice la pagina 693*.



Produsul este în conformitate cu directivele CE aplicabile.

aaaaassxxx

Plăcuța de identificare sau imprimarea laser indică numărul de serie. **aaaa** este anul fabricației și **ss** este săptămâna de fabricație.

**Nota:** Alte simboluri/autocolante de pe produs se referă la cerințele de certificare pentru alte zone comerciale.

## Răspunderea pentru produs

Conform prevederilor legislației privind răspunderea pentru produs, nu ne asumăm răspunderea pentru daunele cauzate de produsul nostru dacă:

- produsul este reparat necorespunzător;
- produsul este reparat cu piese care nu provin de la producător sau care nu sunt aprobate de acesta;
- produsul are un accesoriu care nu provine de la producător sau care nu este aprobat de acesta;
- produsul nu este reparat la un centru de service omologat sau de o autoritate omologată;

## Emisiile de Euro V



**AVERTISMENT:** În urma modificării neautorizate a motorului, este anulată aprobarea de tip UE pentru acest produs.

## Siguranță

### Definiții privind siguranța

Definițiile de mai jos indică nivelul de gravitate pentru fiecare cuvânt de semnalizare.



**AVERTISMENT:** Vătămări corporale.



**ATENȚIE:** Deteriorarea produsului.

**Nota:** Aceste informații facilitează utilizarea produsului.

## Instrucțiuni generale de siguranță



**AVERTISMENT:** Înainte de a utiliza produsul, citiți instrucțiunile de avertizare de mai jos.

- În timpul funcționării, acest produs produce un câmp electromagnetic. În anumite condiții, acest câmp poate interfera cu implanturile medicale active sau pasive. Pentru a reduce riscul de vătămări corporale grave sau mortale, recomandăm persoanelor cu implanturi medicale să consulte medicul și producătorul implantului medical înainte de a utiliza acest produs.
- Nu utilizați produsul atunci când sunteți obosit, bolnav sau dacă ați consumat alcool, droguri sau ați luat medicamente. Acestea vă afectează negativ acuitatea vizuală, atenția, coordonarea și judecata.
- Nu utilizați mașina în condiții de vreme nefavorabilă, precum ceață densă, ploaie torențială, vânt puternic sau frig intens. Utilizarea produsului în condiții de vreme nefavorabilă vă poate obosi și poate crea riscuri suplimentare, precum solul alunecos sau o direcție de doborâre imprevizibilă.
- Procedați întotdeauna cu atenție și folosiți-vă judecata. Dacă nu sunteți sigur cu privire la o situație de lucru sau procedurile operaționale după citirea manualului operatorului, discutați cu un distribuitor de service înainte de a continua.
- Scoateți pipa de bujie dacă scoateți produsul în afara câmpului vizual.

## Instrucțiuni de siguranță pentru asamblare



**AVERTISMENT:** Înainte de a utiliza produsul, citiți instrucțiunile de avertizare de mai jos.

- Utilizați mănuși de protecție omologate când asamblați produsul și accesoriul de tăiere.
- Demontați pipa de bujie din bujie înainte de a asambla produsul.
- Asigurați-vă că ghidonul și apărătoarea accesoriului pentru tăiere corecte sunt asamblate înainte de a utiliza produsul.
- O apărătoare defectă sau incorectă a accesoriului de tăiere poate provoca vătămări corporale. Nu utilizați un accesoriu de tăiere fără o apărătoare aprobată a acestuia.

- Atașați corect capacul ambreiajului și arborele înainte de a porni produsul.
- Discul de antrenare și flanșa de susținere trebuie să se cupleze corect în orificiul de centrare a accesoriului de tăiere. Un accesoriu de tăiere incorect atașat poate cauza vătămare corporală sau deces.
- Atașați hamul la produs pentru a preveni accidentarea operatorului sau a altor persoane.

## Instrucțiuni de siguranță pentru utilizare



**AVERTISMENT:** Înainte de a utiliza produsul, citiți instrucțiunile de avertizare de mai jos.

- Înainte de utilizare, învățați și înțelegeți diferența dintre curățarea copacilor, curățarea ierbii și tunderea ierbii.
- Utilizați echipament de protecție personală, consultați *Echipament de protecție personală la pagina 673*.
- Expunerea pe termen lung la zgomot poate avea ca rezultat o pierdere ireversibilă a auzului. Utilizați întotdeauna un sistem omologat de protecție a auzului.
- Ascultați semnalele de avertisment și vocile cu volum mare atunci când utilizați sisteme de protecție a auzului. Îndepărtați întotdeauna sistemele de protecție a auzului imediat ce se oprește motorul.
- Nu utilizați niciodată produsul dacă l-ați modificat sau dacă este defect.
- Asigurați-vă că pipa de bujie și cablurile de aprindere nu sunt deteriorate, pentru a preveni riscul de șoc electric.
- Priviți împrejurul zonei de lucru pentru a vă asigura că persoanele, animalele sau obiectele nu au un efect negativ asupra siguranței în funcționare a produsului.
- Priviți împrejurul zonei de lucru pentru a vă asigura că nicio persoană și niciun animal nu intră în contact cu accesoriul de tăiere și nu sunt lovite de obiecte proiectate de accesoriul de tăiere.
- Nu utilizați produsul într-o situație sau într-o locație unde nu puteți primi ajutor în caz de accident.
- Nu utilizați produsul fără o apărătoare aprobată a accesoriului de tăiere.
- Asigurați-vă că persoanele și animalele se mențin la o distanță de minimum 15 m/50 ft în timpul lucrului. Priviți întotdeauna în spatele dvs. înainte de a vira cu produsul. Opriți imediat produsul dacă o persoană sau un animal intră în zona de siguranță de 15 m/50 ft. Dacă mai mult de 1 operator activează în aceeași zonă, păstrați o distanță de siguranță de minimum 2 ori înălțimea copacului și de minimum 15 m/50 ft.
- Examinați zona de lucru. Evitați toate obiectele nefixate, precum pietre, sticlă spartă, cuie, fire de oțel și cabluri care se pot pulveriza sau împrăști în jurul accesoriului de tăiere.



- Asigurați-vă că vă puteți mișca în siguranță și că aveți o poziție sigură. Examinați zona din jurul dvs. pentru obstacole precum rădăcini, pietre, ramuri și șanțuri. Lucrați cu atenție în pante.



- Nu vă întindeți prea mult. Păstrați permanent o poziție stabilă a picioarelor și un echilibru adecvat.
- Înainte de a porni produsul, așezați-l pe o suprafață plată, la minimum 3 m/10 ft de sursa de combustibil și de locația de alimentare cu combustibil. Asigurați-vă că accesoriul de tăiere nu intră în contact cu obiecte și că nu se află obiecte în jurul acestuia.
- Dacă accesoriul de tăiere se rotește la turajie de mers în gol, permiteți ajustarea acestuia de către un agent de service. Nu utilizați produsul până când acesta nu a fost reglat sau reparat.
- Fiți atent la obiectele proiectate. Utilizați întotdeauna ochelari de protecție omologați și păstrați distanța de apărătoare accesoriului de tăiere. Pietrele și alte obiecte mici pot fi pulverizate în ochi și pot cauza orbire sau alte afecțiuni.
- Nu puneți jos produsul cu motorul pornit decât dacă aveți o bună vizibilitate asupra acestuia.
- Nu îndepărtați materialul tăiat și nu lăsați alte persoane să îl îndepărteze în timp ce motorul este pornit sau echipamentul de tăiere se rotește, deoarece aceasta poate duce la vătămări corporale grave.
- Opriiți întotdeauna motorul și asigurați-vă că echipamentul de tăiere nu se rotește înainte de a elimina materialul înfășurat în jurul axului cuțitului sau prins între apărătoarea accesoriului de tăiere și accesoriul de tăiere.
- Aveți grijă când îndepărtați materialul din jurul echipamentului de tăiere. Angrenajul conic se încălzește în timpul funcționării și poate cauza arsuri.
- Gazele de eșapament de la motor sunt fierbinți și pot conține scântei. Pericol de incendiu. Procedați cu atenție în jurul materialului uscat și a celui inflamabil.
- Nu utilizați niciodată aparatul în interior sau în spații care nu dispun de o ventilație corespunzătoare. Gazele de eșapament conțin monoxid de carbon, care este un gaz inodor, toxic și deosebit de periculos.
- Opriiți motorul înainte de a vă deplasa într-o zonă de lucru nouă. Atașați întotdeauna apărătoarea pentru transport înainte de a muta echipamentul.

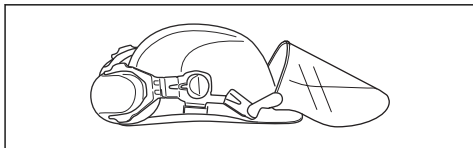
- Expunerea prelungită la vibrații poate conduce la afecțiuni circulatorii sau la deteriorări ale nervilor la persoanele cu circulație defectuoasă. Discutați cu medicul dacă prezentați simptome de expunere prelungită la vibrații. Astfel de simptome includ amorțeală, pierderea sensibilității tactile, gâdilături, ciupituri, durere, pierderea forței, modificări în culoarea sau în starea pielii. Aceste simptome apar de obicei la degete, la mâini sau la încheieturi. Riscul crește la temperaturi scăzute.

## Echipping de protecție personală

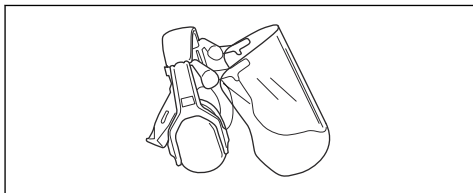


**AVERTISMENT:** Înainte de a utiliza produsul, citiți instrucțiunile de avertizare de mai jos.

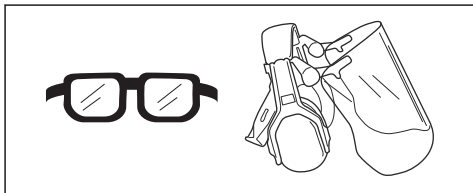
- Utilizați întotdeauna echipamente de protecție personală atunci când folosiți produsul. Echipamentele de protecție personală nu pot elimina complet riscul de rănire, însă pot reduce gravitatea rănilor în cazul unui accident. Distribuitorul vă poate ajuta să alegeți echipamentul corect.
- Utilizați o cască dacă copacii din zona de lucru au o înălțime de peste 2 m/6,5 ft.



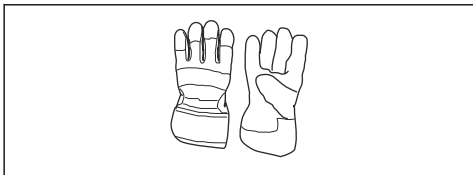
- Utilizați un sistem omologat de protecție a auzului.



- Utilizați ochelari de protecție omologați. Dacă utilizați un vizor de protecție, trebuie să purtați și ochelari de protecție. Ochelarii de protecție trebuie să fie conformi cu standardul ANSI Z87.1 în S.U.A. sau EN 166 în țările din UE.



- Purtați mănuși atunci când este necesar, de exemplu atunci când conectați, inspectați sau curățați echipamentul de tăiere.



- Utilizați cizme de protecție cu bombeuri din oțel și tălpi antiderapante.



- Purtați haine din țesături rezistente. Purtați întotdeauna pantaloni lungi, din material gros, și îmbrăcăminte cu mâneci lungi. Nu purtați haine largi, care se pot prinde în smicele și ramuri. Nu folosiți bijuterii, pantaloni scurți sau sandale. Nu utilizați produsul cu picioarele goale. Strângeți-vă părul în siguranță, deasupra nivelului umărului.
- Păstrați echipamentul de prim ajutor în apropiere.



### Dispozitivele de siguranță de pe produs

Pentru informații privind localizarea dispozitivelor de siguranță, consultați *Apărătoare pentru accesoriul de tăiere la pagina 675.*



**AVERTISMENT:** Înainte de a utiliza produsul, citiți instrucțiunile de avertizare de mai jos.

- Nu utilizați un produs cu dispozitive de siguranță deteriorate. Verificați și întrețineți cu regularitate dispozitivele de siguranță. Dacă dispozitivele de siguranță sunt defecte, contactați agentul de service McCulloch.
- Nu aduceți modificări la dispozitivele de siguranță. Nu utilizați produsul dacă întrerupătoarele de siguranță, capacele de protecție sau alte dispozitive de siguranță nu sunt instalate sau sunt defecte.
- Pentru toate activitățile de service și de reparații la produs, în special pentru dispozitivele de siguranță, este necesară o pregătire specială. Dacă dispozitivele de siguranță nu trec de verificările indicate în acest manual al operatorului, trebuie să solicitați ajutorul unui agent de service. Garantăm

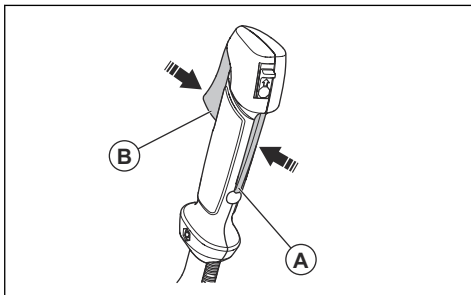
disponibilitatea pentru reparații și service profesionale. Dacă distribuitorul dvs. nu este agent de service, solicitați acestuia informații cu privire la cel mai apropiat agent de service.

- Nu utilizați un accesoriu de tăiere fără o apărătoare aprobată și corect atașată a acestuia. Consultați *Date tehnice la pagina 693.*

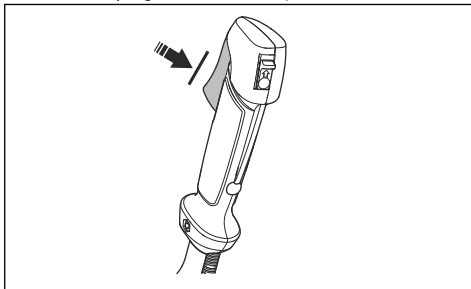
### Verificarea opritorului pârghiei de accelerație

Dispozitivul de blocare a accelerației este proiectat pentru prevenirea funcționării accidentale a comenzii accelerației.

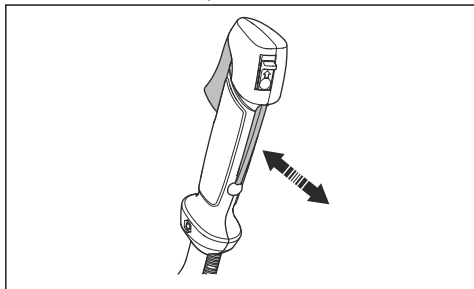
1. Apăsăți dispozitivul de blocare a pârghiei de accelerație (A) și asigurați-vă că este eliberată comanda accelerației (B). Atunci când eliberați mânerul, atât comanda accelerației, cât și dispozitivul de blocare a pârghiei de accelerație se deplasează înapoi, în pozițiile inițiale. Această mișcare este controlată de două arcuri de rapel. Acest aranjament înseamnă blocarea automată a dispozitivului de control al accelerației la setarea de ralanti.



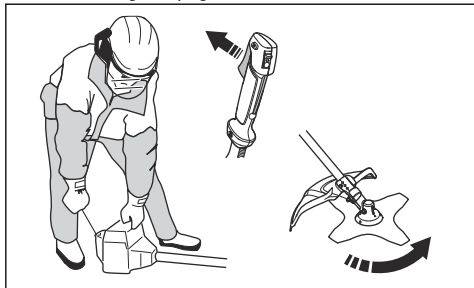
2. Asigurați-vă că comanda de accelerație este blocată la setarea de ralanti atunci când dispozitivul de blocare a pârghiei de accelerație este eliberat.



- Apăsați dispozitivul de blocare a pârghiei de accelerație și asigurați-vă că revine la poziția inițială atunci când îl eliberați.

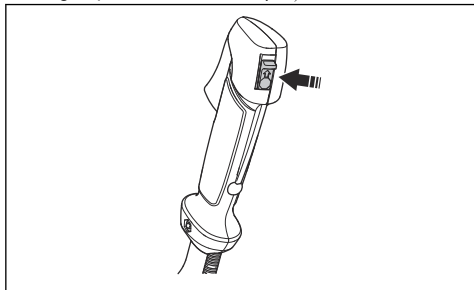


- Verificați ca dispozitivul de blocare a pârghiei de accelerație și comanda de accelerație să se deplaseze liber și ca arcurile de rapel să funcționeze corespunzător.
- Porniți produsul (consultați instrucțiunile de la *Pentru pornire și oprire la pagina 684*) și aplicați accelerația maximă.
- Eliberați accelerația și asigurați-vă că accesoriul de tăiere se oprește și rămâne nemișcat. Reglați carburatorul dacă accesoriul de tăiere se deplasează când accelerația este în poziția de mers în gol. Consultați instrucțiunile din capitolul *Reglarea turației de mers în gol la pagina 690*.



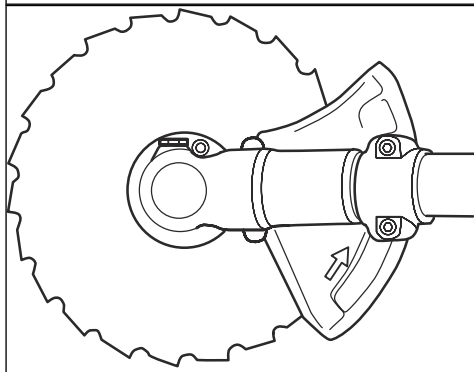
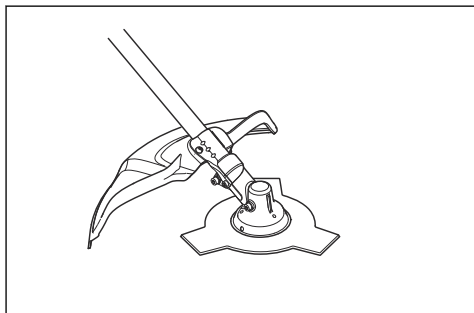
#### Pentru verificarea comutatorului de oprire

- Porniți motorul.
- Deplasați comutatorul de oprire în poziția de oprire și asigurați-vă că motorul se oprește.



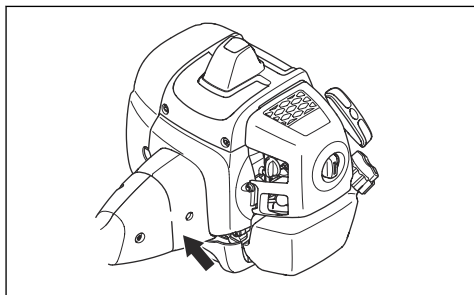
#### Apărătoare pentru accesoriul de tăiere

Apărătoarea accesoriului de tăiere previne proiectarea unui obiect liber în direcția operatorului. Verificați integritatea apărătorii accesoriului de tăiere și înlocuiți-o, dacă este deteriorată. Utilizați numai apărătoarea aprobată pentru accesoriul de tăiere.



#### Verificarea sistemului de amortizare a vibrațiilor

Sistemul de amortizare a vibrațiilor reduce vibrațiile din mână la minimum, ceea ce facilitează utilizarea.



- Oprii motorul.
- Verificați vizual eventualele deformări și deteriorări, de exemplu, crăpături.
- Asigurați-vă că elementele sistemului de amortizare a vibrațiilor sunt atașate corect.

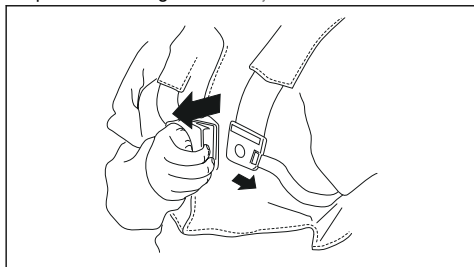
## Verificarea mecanismului de deblocare rapidă



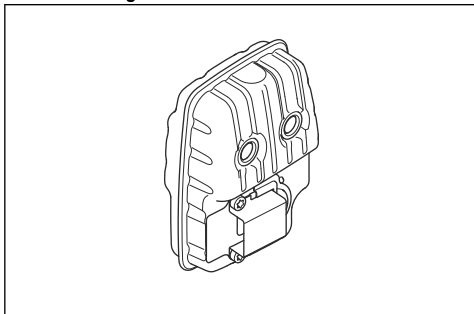
**AVERTISMENT:** Nu utilizați un ham cu un mecanism de deblocare rapidă defect.

Mecanismul de deblocare rapidă permite operatorului să îndepărteze rapid produsul de pe ham în caz de urgență.

1. Opriți motorul.
2. Verificați vizual eventualele deteriorări, de exemplu, crăpături.
3. Eliberați și atașați mecanismul de deblocare rapidă pentru a vă asigura că funcționează corect.



## Amortizor de zgomot



- Nu utilizați un motor cu un amortizor de zgomot deteriorat. Un amortizor de zgomot deteriorat determină creșterea nivelului de zgomot și a pericolului de incendiu. Păstrați un stingător de incendiu în apropiere.
- Verificați cu regularitate ca amortizorul de zgomot să fie atașat la produs.
- Nu atingeți motorul sau amortizorul de zgomot în timp ce motorul este pornit. Nu atingeți motorul sau amortizorul de zgomot pentru o perioadă după oprirea motorului. Zonele fierbinți pot provoca vătămări corporale.
- Un amortizor de zgomot fierbinte poate cauza incendii. Fiți atenți dacă utilizați produsul în apropierea lichidelor inflamabile sau a vaporilor.

- Nu atingeți componente ale amortizorului de zgomot dacă acesta este deteriorat. Componentele pot conține materiale carcinogenice.
- Dacă produsul este prevăzut cu o sită parascântei, curățați-o la intervale regulate.

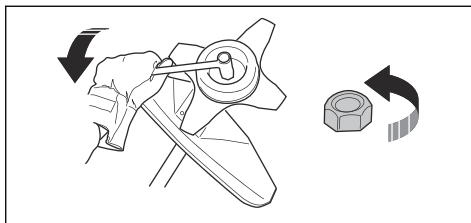
## Pentru a monta și demonta contrapiulița



**AVERTISMENT:** Opriți motorul, utilizați mănuși de protecție și fiți atenți la muchiile ascuțite ale accesoriului de tăiere.

O piuliță de blocare este utilizată pentru a atașa unele tipuri de accesorii de tăiere. Piulița de blocare are filet pe stânga.

- Pentru a atașa, strângeți piulița de fixare în sensul opus sensului de rotație al accesoriului de tăiere.
- Pentru a îndepărta piulița de fixare, slăbiți piulița de fixare în același sens în care se rotește accesoriul de tăiere.
- Pentru a slăbi și a strânge piulița de fixare, utilizați o cheie articulată cu tijă lungă. Săgeata din ilustrație indică zona unde puteți acționa în siguranță cheia articulată.



**AVERTISMENT:** Atunci când slăbiți sau strângeți piulița de fixare, există pericol de vătămări corporale cauzate de lamă. Trebuie să vă asigurați întotdeauna că apărătoarea lamei împiedică vătămări ale mâinii când faceți acest lucru.

**Nota:** Asigurați-vă că piulița de fixare nu poate fi rotită manual. Înlocuiți piulița în cazul în care căptușeala de nailon nu are o rezistență de minimum 1,5 Nm. Piulița de fixare trebuie înlocuită după ce a fost folosită de aproximativ 10 ori.

## Echipamentul de tăiere

Alegeți și întrețineți echipamentul de tăiere pentru a:

- Obține performanță maximă de tăiere.
- Prolungi durata de viață a echipamentului de tăiere.
- Urmați instrucțiunile de verificare, de întreținere și de service pentru amortizorul de zgomot.

- Utilizați întotdeauna apărătoarea recomandată pentru echipamentul de tăiere. Consultați capitolul Date tehnice.



**AVERTISMENT:** Utilizați accesoriile de tăiere numai împreună cu apărătoarele pe care le recomandăm! Consultați capitolul Date tehnice. Consultați instrucțiunile pentru accesoriul de tăiere pentru a verifica modul corect de încărcare a firului trimmerului și diametrul corect al firului trimmerului.



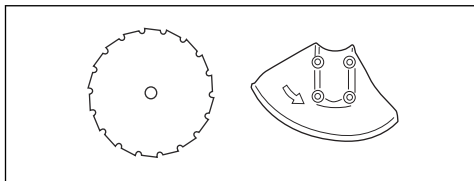
**AVERTISMENT:** Un accesoriu de tăiere defect poate crește pericolul de accidente.



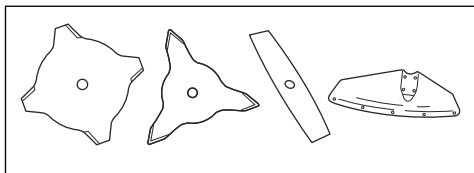
**AVERTISMENT:** Oprii întotdeauna motorul înainte de a efectua orice activitate la accesoriul de tăiere. Acesta continuă să se rotească chiar și după eliberarea accelerației. Asigurați-vă că accesoriul de tăiere s-a oprit complet și deconectați pipa bujiei înainte de a începe să lucrați la acesta.

### Echippingment de tăiere

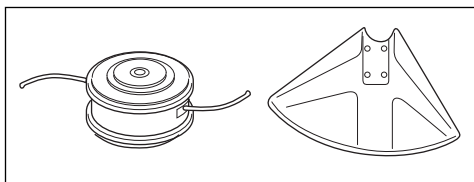
- Utilizați lama de ferăstrău pentru a tăia fibre lemnoase.



- Utilizați lamele și cuțitele de iarbă pentru a tăia iarbă aspră.

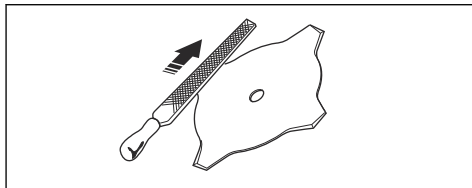


- Utilizați capul de tuns pentru a tunde iarbă.



- O lamă ascuțită incorect sau deteriorată mărește riscul de accidente. Mențineți dinții lamei ascuțiți

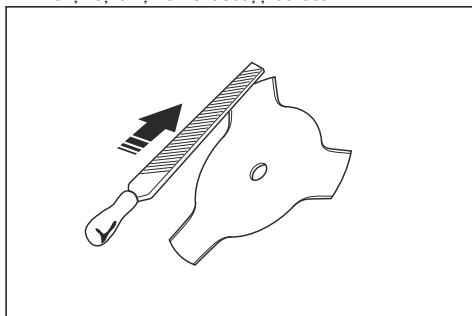
corect. Respectați instrucțiunile din *Pentru ascuțirea frezelor de tăiat iarbă și a lamelor de tăiat iarbă la pagina 678* și utilizați matrița recomandată.



- Examinați accesoriul de tăiere, pentru a identifica eventuale deteriorări sau fisuri. Înlocuiți accesoriul de tăiere dacă este deteriorat.
- Utilizați accesoriile de tăiere numai cu apărătoarele recomandate. Consultați *Date tehnice la pagina 693*.

### Lame

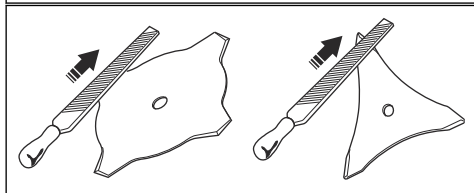
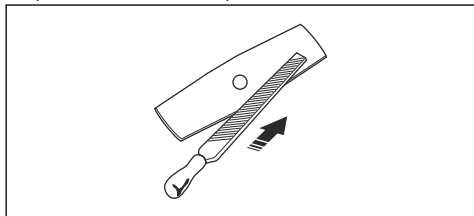
- Utilizați produsul cu o lamă aprobată. Nu utilizați o lamă fără a instala corespunzător toate piesele necesare. Asigurați-vă că instalarea este efectuată corect și că sunt utilizate piesele corespunzătoare. Instalarea necorespunzătoare poate duce la desprinderea lamei și la vătămarea corporală a operatorului sau a altor persoane aflate în apropiere.
- Purtați mănuși de protecție atunci când manevrați lama sau efectuați operații de întreținere.
- Utilizați un sistem de protecție a capului atunci când operați un produs cu lamă.
- O lamă poate cauza vătămare corporală atunci când se învârtă, la oprirea motorului sau la eliberarea pârghiei de accelerație. Asigurați-vă că lama s-a oprit complet din rotire înainte de a efectua lucrări de întreținere.
- Oprii motorul înainte de a efectua orice lucrări la accesoriul de tăiere. Asigurați-vă că accesoriul de tăiere se oprește complet. Deconectați conductorul de pe bujie.
- Mențineți dinții lamei ascuțiți corect.



- Nu utilizați un accesoriu de tăiere deteriorat.
- Atașați apărătoarea pentru transport pe lama atunci când transportați sau depozitați produsul.

### Pentru ascuțirea frezelor de tăiat iarba și a lamelor de tăiat iarba

- Ascuteți uniform toate muchiile frezelor de tăiat iarba și lamelor, pentru a menține echilibrul. Utilizați o pilă plată, cu danturare simplă.

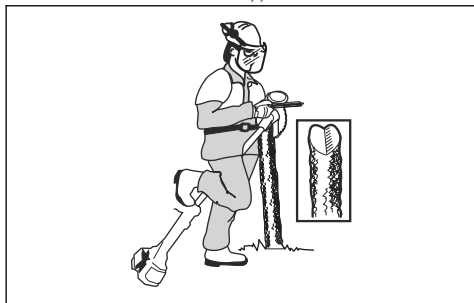


### Pentru ascuțirea lamei de ferăstrău

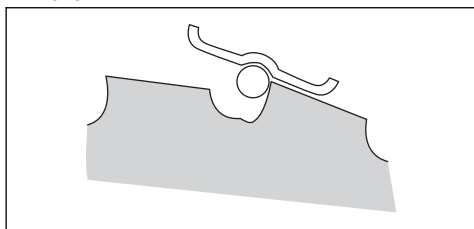


**AVERTISMENT:** Opriți motorul. Utilizați mănuși de protecție.

- Pentru a ascute corect lama, consultați instrucțiunile aferente acesteia.
- Asigurați-vă că produsul și lama dispun de sprijin suficient atunci când ascuteți.

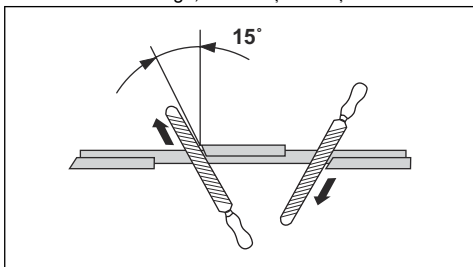


- Utilizați o pilă rotundă de 5,5 mm (7/32 in), cu mâner.



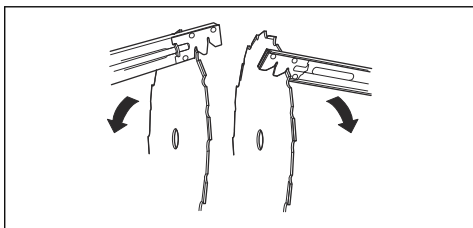
- Țineți pila sub un unghi de 15°.

- Ascuteți un dinte al lamei de ferăstrău la dreapta și pe următorul la stânga, consultați ilustrația.



**Nota:** Ascuteți marginile dinților cu o pilă plată, dacă lama este puternic uzată. Continuați să ascuteți cu o pilă rotundă.

- Ascuteți în mod egal toate muchiile, pentru a asigura echilibrul lamei.
- Reglați pasul lamei la 1 mm (0,04 in), cu unealta de configurare recomandată. Consultați instrucțiunile aferente lamei.

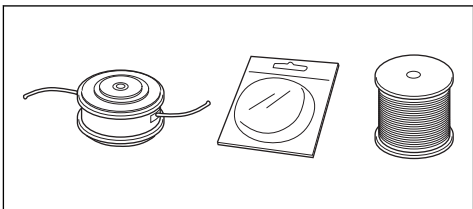


**AVERTISMENT:** Eliminați întotdeauna o lamă deteriorată. Nu încercați să îndreptați o lamă îndoită sau răsucită și să o refolosiți.

### Cap de tuns



**AVERTISMENT:** Asigurați-vă întotdeauna că firul trimmerului este înfășurat strâns și uniform în jurul tamburului pentru a evita vibrațiile dăunătoare.



- Utilizați numai capetele de tuns și firele de trimmer recomandate.
- Utilizați numai accesoriile de tăiere recomandate.

- Dispozitivele mai mici necesită capete de tuns mici și invers.
- Lungimea firului trimmerului este importantă. Un fir mai lung al trimmerului necesită o putere mai mare a motorului decât un fir mai scurt al trimmerului cu același diametru.
- Asigurați-vă că freza de pe apăraoarea pentru capul de tuns este intactă. Aceasta taie firul trimmerului la lungimea corectă.
- Înmuiați firul trimmerului în apă timp de câteva zile înainte de utilizare, pentru a-i prelungi durata de viață.
- Înainte de a realimenta, deschideți lent capacul rezervorului de carburant și eliberați cu atenție presiunea.
- Nu adăugați carburant la motor într-o zonă interioară. Un flux de aer insuficient poate cauza vătămare corporală sau deces din cauza asfixierii sau a monoxidului de carbon.
- Strângeți cu atenție capacul rezervorului de carburant; în caz contrar, se pot produce incendii.
- Înainte de pornire, mutați produsul la o distanță de minimum 3 m (10 ft) față de poziția unde ați umplut rezervorul.

## Reguli de siguranță referitoare la carburant

- Nu porniți produsul dacă pe acesta se află carburant sau ulei pentru motor. Îndepărtați carburantul/uleiul nedorit și lăsați produsul să se usuce. Îndepărtați carburantul nedorit din produs.
- Dacă vărsați carburantul pe îmbrăcăminte, schimbați imediat hainele.
- Nu vărsați carburantul pe corp - poate provoca vătămări corporale. Dacă vărsați carburant pe corp, utilizați apă și săpun pentru a elimina carburantul.
- Nu porniți motorul dacă vărsați ulei sau carburant pe produs sau pe corp.
- Nu porniți produsul dacă motorul prezintă scurgeri. Examinați cu regularitate motorul, pentru a identifica eventuale scurgeri.
- Manipulați cu atenție carburantul. Carburantul este inflamabil, vaporii sunt explozivi și pot cauza vătămări corporale sau deces.
- Nu respirați vaporii de carburant, se pot produce vătămări corporale. Asigurați-vă că fluxul de aer este suficient.
- Nu fumați în apropierea carburantului sau a motorului.
- Nu amplasați obiecte calde în apropierea carburantului sau a motorului.
- Nu adăugați carburant atunci când motorul este pornit.
- Asigurați-vă că motorul este rece înainte de a realimenta.
- Nu introduceți prea mult carburant în rezervorul de carburant.
- Asigurați-vă că nu se pot produce scurgeri atunci când mutați produsul sau rezervorul de carburant.
- Nu poziționați produsul sau rezervorul de carburant în apropierea unei flăcări deschise, a scânteilor sau a unei lumini pilot. Asigurați-vă că în zona de depozitare nu se află flăcări deschise.
- Utilizați numai recipiente omologate atunci când mutați carburantul sau îl introduceți în spațiul de depozitare.
- Goliți rezervorul de carburant înainte de a-l depozita pe termen lung. Respectați legislația locală cu privire la locația de eliminare a carburantului.
- Curățați produsul înainte de depozitarea pe termen lung.
- Îndepărtați cablul bujiei înainte de a introduce produsul în spațiul de depozitare, pentru a vă asigura că motorul nu pornește accidental.

## Instrucțiuni de siguranță pentru întreținere

- Dacă nu puteți regla turația de mers în gol pentru a determina oprirea accesoriului de tăiere, contactați centrul de service. Nu utilizați produsul până când acesta nu a fost reglat sau reparat corect.

---

## Asamblarea

---



**AVERTISMENT:** Citiți capitolul de siguranță înainte de asamblarea produsului.



**AVERTISMENT:** Demontați cablul de la bujie înainte de a asambla produsul.

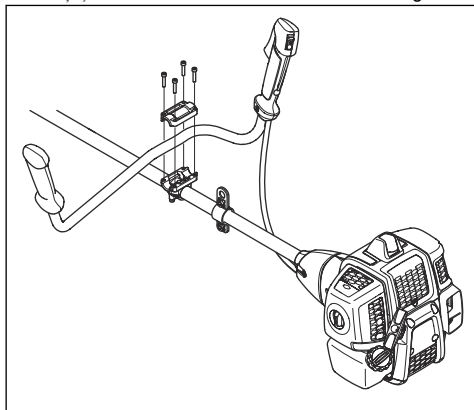
## Introducere



**AVERTISMENT:** Înainte de a asambla produsul, trebuie să citiți și să înțelegeți capitolul privind siguranța.

## Pentru a instala mânerul

1. Atașați mânerul la consola de montare ca în figură.



## Pentru montarea lamelor și a capetelor de tuns



**AVERTISMENT:** Utilizați numai apărătoarea aprobată pentru lame. Consultați *Date tehnice la pagina 693*. O apărătoare defectuoasă poate provoca vătămări corporale.

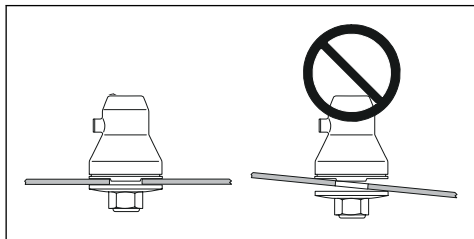


**AVERTISMENT:** Dacă operați produsul cu o lamă de tăiat iarba, instalați mai întâi mânerul, apărătoarea de lamă și hamul corecte.



**AVERTISMENT:** Dacă nu instalați corect lamele, acestea pot cauza vătămări corporale.

1. Asigurați-vă că secțiunea ridicată a discului de antrenare/flanșei de susținere se cuplează corect în orificiul central al lamelor.
2. Instalarea lamelor.



## Instalarea apărătorii lamei, a lamei de tăiat iarba și a frezei de tăiat iarba

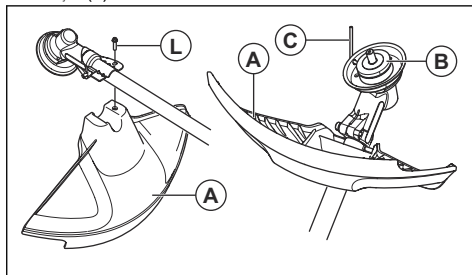


**ATENȚIE:** Utilizați numai apărătoarea aprobată pentru lame. Consultați manualul operatorului.



**ATENȚIE:** Asigurați-vă că extensia apărătoarei este demontată.

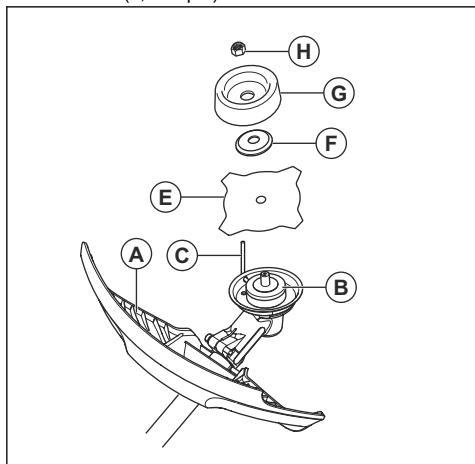
1. Montați apărătoarea de disc/apărătoarea accesoriului de tăiere (A) pe arbore și strângeți-o cu bolțul (L).



2. Instalați discul de antrenare (B) pe arborele de ieșire.
3. Rotiți arborele de ieșire până când unul dintre orificiile din discul de antrenare se aliniază cu orificiul corespunzător din carcasa angrenajului.
4. Introduceți siguranța (C) în orificiul pentru a bloca arborele.
5. Poziționați lama (E), flanșa de susținere (F) și cupa de susținere (G) pe arborele de ieșire.



- Instalați piulița (H). Țineți tija cheii cât de aproape posibil de apărătoarea lamei. Pentru a strânge piulița, trebuie să rotiți cheia în direcția opusă direcției de rotație. Strângeți piulița la un cuplu de 35-50 Nm (3,5-5 kpm).

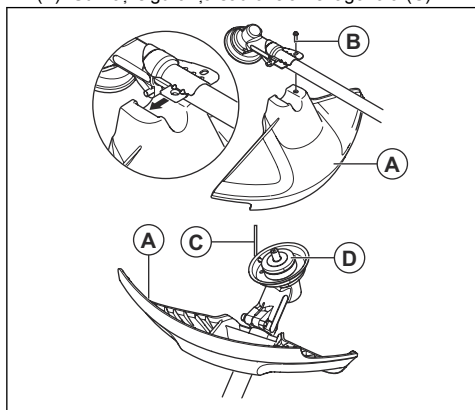


**Nota:** Filet stânga.

### Pentru montarea apărătoarei pentru capul de tuns și a capului de tuns

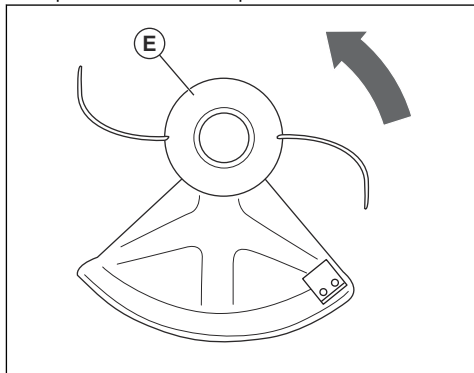
**Nota:** Asigurați-vă că utilizați apărătoarea corectă pentru capul de tuns respectiv.

- Atașați apărătoarea capului de tuns/apărătoarea combinată corectă (A) pentru capul de tuns.
- Instalați apărătoarea capului de tuns/apărătoarea combinată în jurul arborelui și strângeți-o cu șurubul (B). Utilizați siguranța sau cheia hexagonală (C).



- Poziționați siguranța sau cheia hexagonală (C) în canelura de pe capul șurubului și strângeți.

- Atașați discul de antrenare (D) pe arborele de ieșire.
- Rotiți arborele de ieșire până când unul dintre orificiile din discul de antrenare se aliniază cu orificiul corespunzător din carcasa angrenajului.
- Introduceți siguranța sau cheia hexagonală (C) în orificiul pentru a bloca arborele.
- Asamblați capul de tuns/lamele de plastic (E). Rotiți capul de tuns/lamele de plastic în sens antiorar.



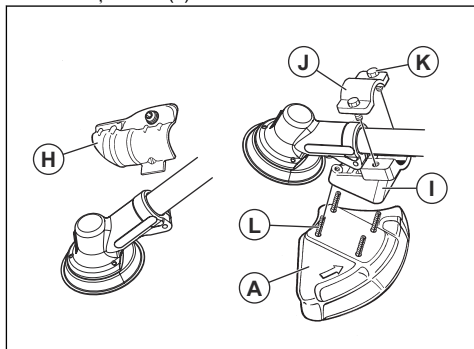
- Pentru demontare, urmați instrucțiunile în ordine inversă.

### Pentru instalarea unei apărătoare de disc și a unei lame de ferăstrău



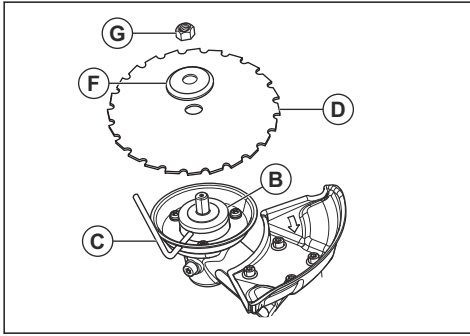
**ATENȚIE:** Utilizați numai apărătoarea aprobată pentru lame. Consultați *Date tehnice la pagina 693*.

- Îndepărtați placa portantă (H).
- Instalați adaptorul (I) și consola (J) cu ajutorul celor două șuruburi (K).
- Instalați apărătoarea lamei (A) pe adaptor cu ajutorul celor 4 șuruburi (L).



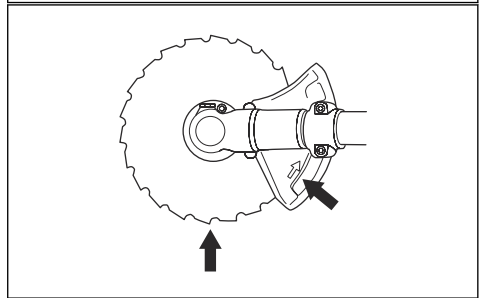
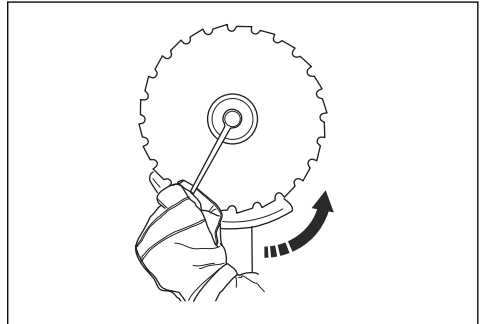
- Instalați discul de antrenare (B) pe arborele de ieșire.

5. Rotiți axul cuțit până când unul dintre orificiile din discul de antrenare se aliniază cu orificiul corespunzător din carcasa angrenajului.
6. Introduceți siguranța(C) în orificiu pentru a bloca arborele.
7. Poziționați lama (D) și flanșa de susținere (F) pe arborele de ieșire.
8. Fixați piulița (G). Piulița trebuie strânsă la un cuplu de 35-50 Nm (3,5-5 kpm). Utilizați cheia articulată din setul de unelte. Țineți arborele cheii cât mai aproape posibil de apărătoarea disc. Pentru a strânge piulița, rotiți cheia în sensul opus direcției de rotație.



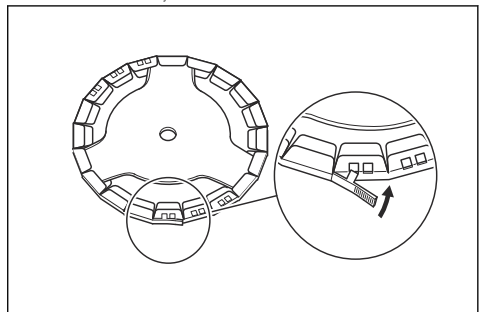
**Nota:** Filet stânga.

9. Atunci când slăbiți sau strângeți piulița lamei de ferăstrău, vă puteți răni în dinții lamei de ferăstrău. Prin urmare, asigurați-vă că apărătoarea de disc vă protejează mâna întotdeauna. Utilizați întotdeauna o cheie tubulară cu un mâner suficient de lung pentru a permite acest lucru. Săgeata din diagramă indică zona în care trebuie să manevrați cheia articulată atunci când slăbiți sau strângeți piulița.



### Pentru montarea apărătoarei pentru transport

1. Montați apărătoarea pentru transport așa cum se indică în ilustrație.



### Reglarea hamului



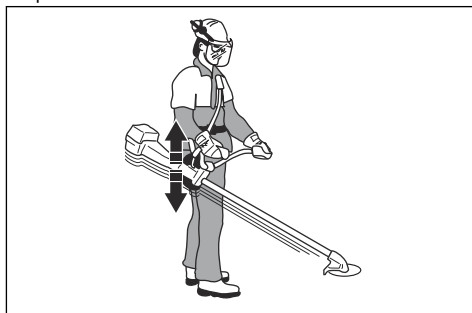
**AVERTISMENT:** Produsul trebuie să fie întotdeauna atașat corect pe ham. În caz contrar, nu puteți controla produsul în

siguranță, ceea ce poate duce la rănirea dvs. sau a altor persoane. Nu utilizați un ham defect. Nu utilizați un ham cu un dispozitiv de deschidere rapidă defect.

1. Puneți-vă hamul.
2. Conectați produsul la ham.
3. Reglați hamul pentru cea mai bună poziție de lucru.
4. Reglați bretelele laterale pentru ca produsul să exercite o presiune egală pe ambii umeri.



5. Reglați hamul până când accesoriul de tăiere este paralel cu solul.



6. Lăsați accesoriul de tăiere să se sprijine ușor pe sol. Reglați clema hamului pentru a echilibra corect produsul.

**Nota:** Dacă utilizați o lamă de tăiat iarbă, aceasta trebuie echilibrată la aproximativ 10 cm / 4 inch de sol.

## Funcționarea



**AVERTISMENT:** Citiți și înțelegeți capitolul referitor la siguranță înainte de utilizarea produsului.

### Introducere



**AVERTISMENT:** Înainte de a utiliza produsul, trebuie să citiți și să înțelegeți capitolul privind siguranța.

### Carburant

Acest produs dispune de motor în doi timpi.



**ATENȚIE:** Tipul incorect de carburant poate deteriora motorul. Utilizați un amestec de benzină și de ulei pentru motoare în doi timpi.

### Carburant preamestecat

- Utilizați carburantul alchilat preamestecat McCulloch pentru cele mai bune performanțe și prelungirea duratei de viață a motorului. Acest carburant conține substanțe chimice mai puțin nocive în comparație cu carburantul obișnuit, ceea ce reduce nivelul gazelor de eșapament nocive. Cantitatea de resturi după ardere este mai mică în cazul acestui carburant, care păstrează componentele motorului mai curate.

### Pentru amestecarea carburantului

#### Benzină

- Utilizați benzină fără plumb de calitate cu un conținut maxim de 10% etanol.



**ATENȚIE:** Nu utilizați benzină cu o cifră octanică mai mică de 90 RON/87 AKI. Utilizarea unui carburant cu o cifră octanică inferioară poate provoca bătăi la motor, ceea ce duce la defectarea motorului.

#### Ulei pentru motoare în doi timpi

- Pentru cele mai bune rezultate și performanțe, utilizați uleiul pentru motoare în doi timpi McCulloch.
- Dacă uleiul McCulloch pentru motoare în doi timpi nu este disponibil, utilizați un ulei pentru motoare în doi timpi de bună calitate pentru motoare răcite cu aer. Adresați-vă reprezentantului dvs. de service pentru a alege uleiul corect.



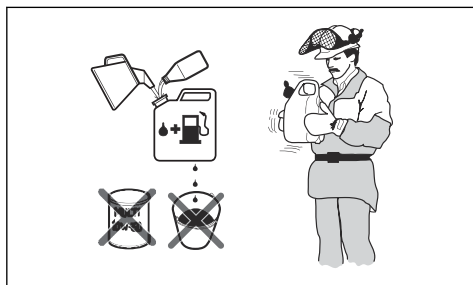
**ATENȚIE:** Nu utilizați ulei pentru motoare în doi timpi răcit pentru motoarele externe răcite cu apă, numit și ulei pentru motoare externe. Nu folosiți ulei pentru motoare în patru timpi.

## Amestecarea benzinei cu ulei pentru motoare în doi timpi

Benzină, litru	Ulei pentru motoare în doi timpi, litru
	<b>2% (50:1)</b>
5	0,10
10	0,20
15	0,30
20	0,40
Galon SUA	Uncie lichidă SUA
1	2 ½
2 1/2	6 ½
5	12 ¾



**ATENȚIE:** Micile erori pot să influențeze drastic raportul amestecului atunci când amestecați cantități mici de carburant. Măsurări cu grijă cantitatea de ulei și asigurați-vă că obțineți amestecul corect.



1. Umpleți jumătate din cantitatea de benzină într-un recipient curat pentru combustibil.
2. Adăugați cantitatea completă de ulei.
3. Agitați amestecul.
4. Adăugați în recipient cantitatea de benzină rămasă.
5. Agitați cu grijă amestecul.



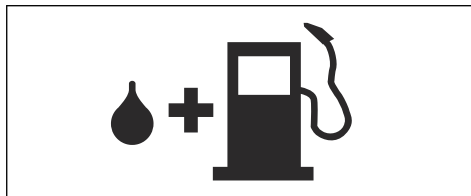
**ATENȚIE:** Nu amestecați carburantul pentru mai mult de 1 lună la un moment dat.

## Umplerea rezervorului de carburant



**AVERTISMENT:** Respectați procedura următoare pentru propria siguranță.

1. Opriți motorul și lăsați motorul să se răcească.
2. Curățați suprafața din jurul capacului rezervorului de carburant.



3. Agitați recipientul și asigurați-vă că amestecarea carburantului s-a efectuat corespunzător.
4. Scoateți încet capacul rezervorului de carburant, pentru a elibera presiunea.
5. Umpleți rezervorul de carburant.



**ATENȚIE:** Verificați să nu existe prea mult carburant în rezervorul de carburant. Carburantul se dilată atunci când se încălzește.

6. Strângeți cu atenție capacul rezervorului de carburant.
7. Curățați excesul de carburant de pe produs și din jurul acestuia.
8. Îndepărtați produsul la cel puțin 3 m/10 ft de zona de realimentare și de sursa de carburant înainte de a porni motorul.

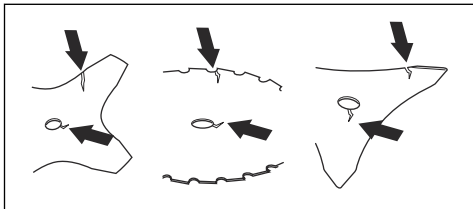
**Nota:** Pentru a vedea unde se află rezervorul de carburant pe produsul dvs., consultați *Prezentarea generală a produsului la pagina 670*.

## Pentru pornire și oprire

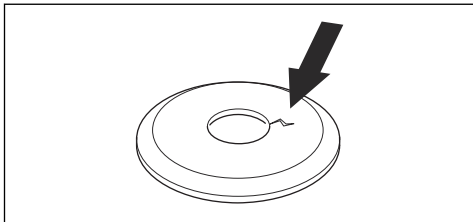
### Înainte de a utiliza produsul

- Examinați zona de lucru pentru a vă asigura că sunteți familiarizat cu tipul de teren, cu panta solului și cu eventualele obstacole, precum pietrele, ramurile și șanțurile.
- Efectuați o inspecție globală a produsului.
- Efectuați inspecțiile de siguranță, întreținerea și operațiile de service indicate în acest manual.
- Asigurați-vă că toate capacele, apărătoarele, mânerile și echipamentul de tăiere sunt corect atașate și nu sunt deteriorate.
- Asigurați-vă că nu există fisuri la baza dinților lamei de ferăstrău sau ai lamei de tăiat iarba, precum și la

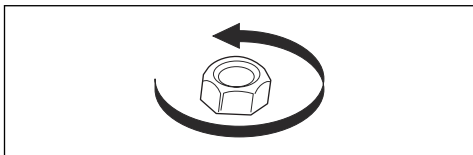
orificiul central al lamei. Înlocuiți lama, dacă este deteriorată.



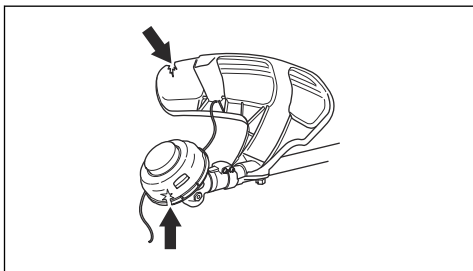
- Examinați flanșa de susținere, pentru a vedea dacă nu prezintă fisuri. Înlocuiți flanșa de susținere, dacă acesta este deteriorată.



- Asigurați-vă că nu este posibilă demontarea manuală a contrapiuliței. Dacă o puteți demonta manual, accesoriul de tăiere nu este suficient de bine fixat și trebuie să-l înlocuiți.

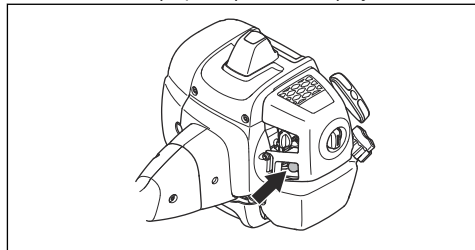


- Examinați apărătoarea discului pentru a identifica eventuale deteriorări sau fisuri. Înlocuiți apărătoarea discului dacă a suferit un șoc sau dacă prezintă crăpături.
- Examinați capul de tuns și apărătoarea accesoriului de tăiere pentru a vedea dacă nu prezintă deteriorări sau fisuri. Înlocuiți capul de tuns și apărătoarea accesoriului de tăiere dacă au suferit șocuri sau dacă prezintă fisuri.

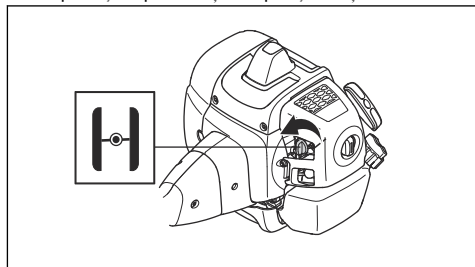


## Pornirea motorului

1. Poziționați produsul pe o suprafață plană și stabilă. Țineți accesoriul de tăiere ridicat de pe sol.
2. Apăsăți în mod repetat balonul purjorului până când carburantul începe să umple balonul. Nu este necesar să umpleți complet butonul purjorului.

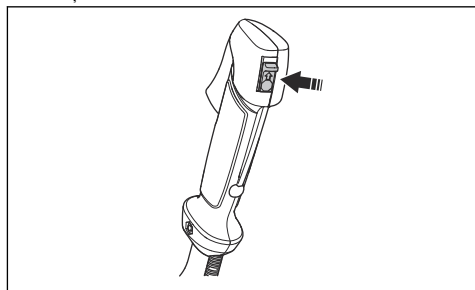


3. Deplasați clapeta de șoc în poziția de șoc tras.

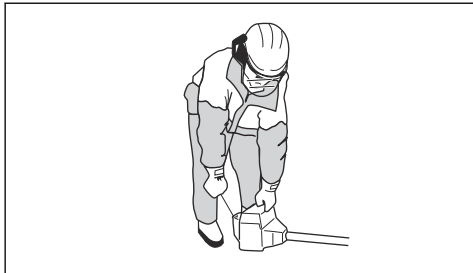


**AVERTISMENT:** Accesoriul de tăiere începe să se rotească imediat când porniți motorul cu șocul.

4. Setăți comutatorul start/stop în poziția de funcționare.



5. Țineți corpul produsului pe sol, cu mâna stângă.



6. Țineți mânerul șnurului de pornire cu mâna dreaptă.  
7. Trageți ușor șnurul de pornire cu mâna dreaptă până când simțiți rezistență.



**AVERTISMENT:** Nu răsuciți șnurul de pornire în jurul mâinii.

8. Trageți firul rapid și cu forță. Trageți în repetate rânduri de firul de pornire până când motorul pornește.

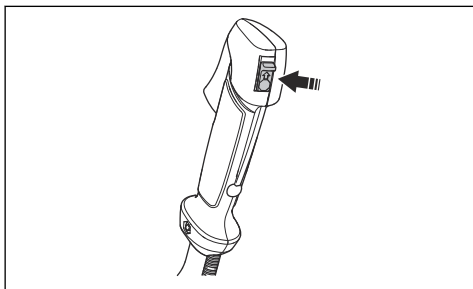


**ATENȚIE:** Nu trageți șnurul de pornire până când se întinde complet și nu dați drumul mânerului de pornire când șnurul este complet întins. Aceasta poate deteriora produsul.

9. Resetați șocul când se produce combustia în motor.  
10. Acționați accelerația treptat când pornește motorul.  
11. Asigurați-vă că motorul funcționează uniform și lăsați motorul să se încălzească 1-2 minute înainte de utilizare.

## Oprirea produsului

- Apăsăți pe comutatorul de oprire pentru a opri motorul.



## Recul lamă

- Un recul al lamei este o mișcare bruscă a produsului în lateral, în față sau în spate. Un recul al lamei are loc atunci când lama de tăiat iarba lovește un obiect care nu poate fi tăiat. În zone în care este dificil să

vedeți materialul pe care îl tăiați, riscul de recul al lamei crește.

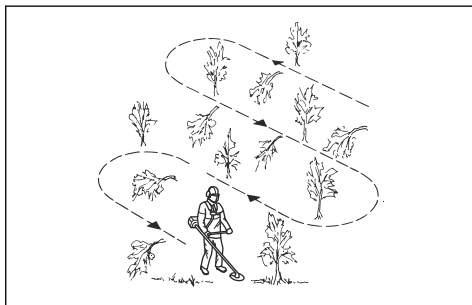
- Atunci când are loc un recul al lamei, există riscul ca produsul sau operatorul să se miște din poziția lor. O lamă care se mișcă poate lovi persoanele aflate în apropiere și există pericolul de vătămări corporale.
- Dacă o lamă este îndoită, prezintă crăpături, este ruptă sau deteriorată, aruncați-o.
- Utilizați o lamă ascuțită. Riscul apariției reculului lamei crește atunci când o lamă nu este ascuțită.

## Instrucțiuni generale de lucru

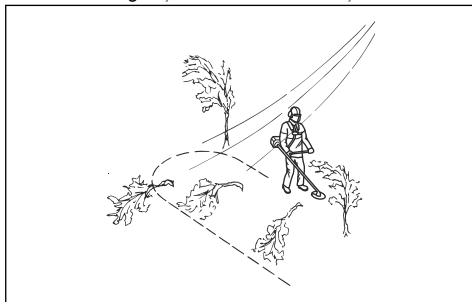


**AVERTISMENT:** Aveți grijă la tăierea unui copac tensionat. Acesta poate reveni la poziția sa normală înainte sau după tăiere, vă poate lovi pe dvs. sau produsul și poate cauza vătămări corporale.

- Creați un spațiu deschis la un capăt al zonei de lucru și începeți lucrul de acolo.
- Deplasați-vă după un model regulat în suprafața de lucru.



- Deplasați produsul complet la stânga și la dreapta, pentru a curăța pe o distanță de 4-5 m la fiecare întoarcere.
- Curățați pe o lungime de 75 m înainte de a întoarce și a reveni. În timpul lucrului, deplasați recipientul de carburant cu dvs.
- Deplasați-vă într-o direcție unde nu se întâlnesc șanțuri și obstacole mai mult decât este necesar.
- Deplasați-vă într-o direcție unde vântul determină căderea vegetației tăiate în zona curățată.



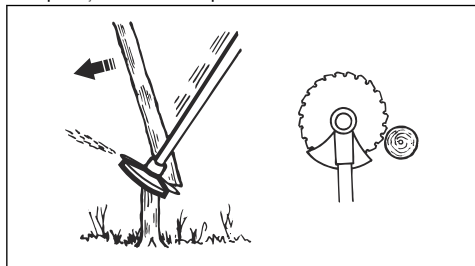
- Deplasați-vă de-a lungul pantelor, nu în susul și în josul acestora.

## Curățarea copacilor cu o lamă de ferăstrău

### Pentru a doborî un copac la stînga

Pentru a doborî la stînga, împingeți baza copacului spre dreapta.

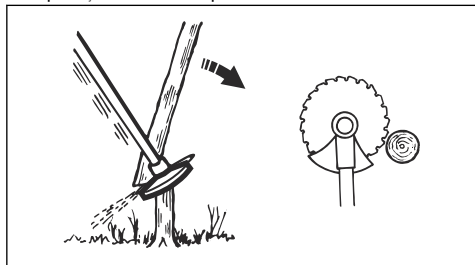
1. Aplicați accelerație maximă.
2. Poziționați lama de ferăstrău pe arbore, așa cum este indicat în figură.
3. Înclinați lama de ferăstrău și apăsați-o puternic pe diagonală, în jos și spre dreapta. În același timp, apăsați arborele cu apărătoarea discului.



### Pentru a doborî un copac la dreapta

Pentru a doborî la dreapta, împingeți baza copacului spre stînga.

1. Aplicați accelerație maximă.
2. Poziționați lama de ferăstrău pe arbore, așa cum este indicat în figură.
3. Înclinați lama de ferăstrău și apăsați-o puternic pe diagonală, în sus și spre dreapta. În același timp, apăsați arborele cu apărătoarea discului.

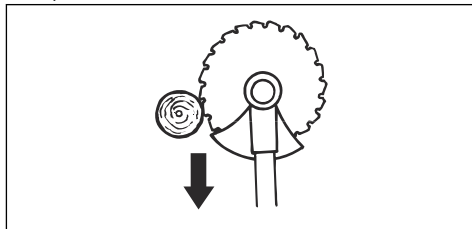


### Pentru a doborî un copac înainte

Pentru a doborî înainte, împingeți baza copacului înapoi.

1. Aplicați accelerație maximă.
2. Poziționați lama de ferăstrău pe arbore, așa cum este indicat în figură.

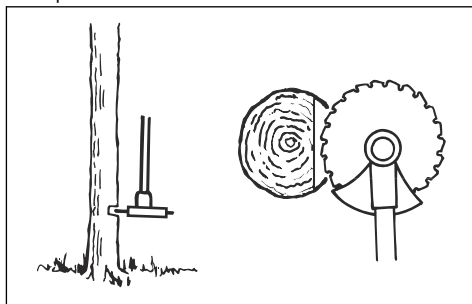
3. Trageți lama de ferăstrău înainte, cu o mișcare rapidă.



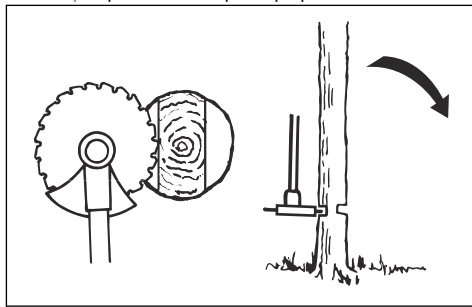
### Pentru a doborî copaci mari

Copacii mari trebuie tăiați din două părți.

1. Examinați direcția în care va cădea copacul.
2. Aplicați accelerație maximă.
3. Efectuați prima tăietură pe partea pe care va cădea copacul.



4. Tăiați în profunzime copacul pe partea cealaltă.



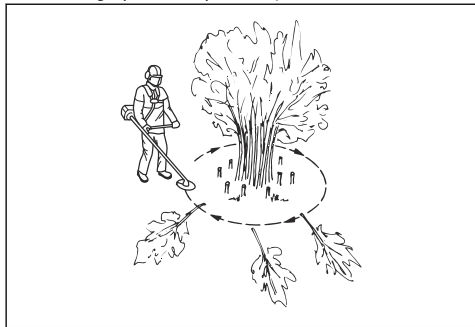
**ATENȚIE:** Dacă lama ferăstrăului se blochează, nu trageți produsul cu o mișcare bruscă. Aceasta poate duce la deteriorarea lamei de ferăstrău, a angrenajului conic, a arborelui sau a mânerului. Eliberați mânerul, țineți arborele cu ambele mâini și trageți cu atenție produsul.

**Nota:** Utilizați o presiune mai mare de tăiere pentru doborârea arborilor mici. Utilizați o presiune mai mică de tăiere pentru doborârea arborilor mari.

## Tăierea tufșurilor cu o lamă de ferăstrău

Pentru a doborâți la stânga, împingeți baza copacului spre dreapta.

- Tăiați copacii subțiri și tufșurile.
- Deplasați produsul dintr-o parte în alta.
- Tăiați mai mulți copaci dintr-o mișcare.
- Pentru grupuri de copaci subțiri:



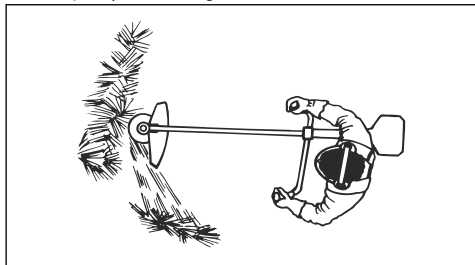
- a) Tăiați copacii exteriori de la înălțime.
- b) Tăiați copacii exteriori la înălțimea corectă.
- c) Tăiați de la centru. Dacă nu aveți acces la centru, tăiați copacii exteriori de la înălțime și lăsați-i să cadă. Aceasta reduce riscul blocării lamei de ferăstrău.

## Curățarea ierbii cu o lamă de tăiat iarba



**ATENȚIE:** Nu utilizați lame și cuțite de tăiat iarba pe lemn. Utilizați lamele și cuțitele de tăiat iarba numai pentru iarbă lungă sau groasă.

- Deplasați produsul dintr-o parte în alta.
- Începeți mișcarea de la dreapta la stânga atunci când tăiați. Deplasați produsul la dreapta înainte de a tăia din nou.
- Tăiați cu partea stângă a lamei de tăiat iarba.

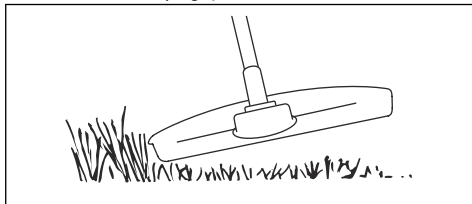


- Înclinați lama de tăiat iarba spre stânga, pentru a determina căderea în linie a ierbii. Aceasta facilitează colectarea ierbii.
- Păstrați o poziție stabilă, cu picioarele depărtate.
- Deplasați-vă înainte de fiecare mișcare la dreapta și asigurați-vă că aveți o poziție stabilă înainte de a tăia din nou.
- Mențineți o ușoară presiune asupra cupei de susținere pe sol, pentru a vă asigura că lama de tăiat iarba nu intră în contact cu solul.
- Respectați următoarele instrucțiuni pentru a reduce riscul de înfășurare a materialului tăiat în jurul lamei de tăiat iarba:
  - a) Aplicați accelerație maximă.
  - b) Nu deplasați lama de tăiat iarba prin materialul tăiat atunci când deplasați produsul de la stânga la dreapta.
- Înainte de a colecta materialul tăiat, opriți motorul și scoateți produsul din ham. Așezați produsul pe sol.

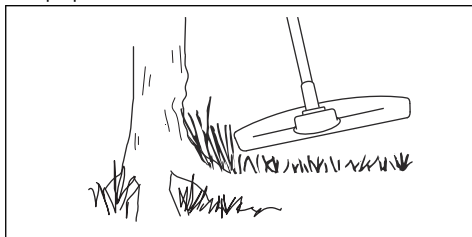
## Tunderea ierbii folosind un cap de tuns

### Pentru a tunde iarba

1. Țineți capul de tuns chiar deasupra solului, în poziție înclinată. Nu împingeți firul trimmerului în iarbă.



2. Reduceți lungimea firului trimmerului cu 10-12 cm / 4-4,75 inch.
3. Reduceți turația motorului pentru a reduce riscul deteriorării plantelor.
4. Utilizați accelerația la 80 % când tundeți iarbă în apropierea unor obiecte.



### Pentru a îndepărta iarba

1. Mențineți capul de tuns deasupra solului.
2. Înclinați capul de tuns.
3. Tăiați cu capătul firului de trimmer în jurul obiectelor din zona de lucru.



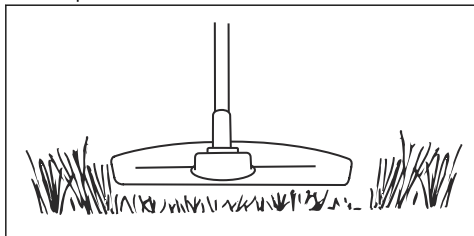


**ATENȚIE:** Tăiați iarbă. Alte obiecte care sunt lovite de firul de trimmer măresc uzura firului de trimmer.

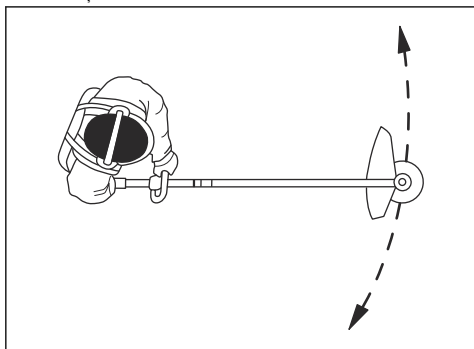
- Utilizați viteză 80 % atunci când tăiați și îndepărtați vegetație. Astfel se reduce uzura capului de tuns și a firului de trimmer.

### Pentru a tăia iarbă

- Când tăiați iarbă, asigurați-vă că firul trimmerului este paralel cu solul.



- Nu împingeți capul de tuns în sol. Aceasta poate deteriora produsul.
- Mișcați produsul dintr-o parte în alta când tăiați iarbă. Utilizați viteza maximă.



### Pentru a mătura iarbă

Fluxul de aer de la firul trimmerului rotativ se poate utiliza pentru eliminarea ierbii tăiate dintr-o zonă.

- Mențineți capul de tuns și firul trimmerului în paralel cu solul și deasupra acestuia.
- Aplicați accelerație maximă.
- Mutați capul de tuns dintr-o parte în alta și măturați iarbă.



**AVERTISMENT:** Curățați capacul capului de tuns la fiecare asamblare a unui fir nou al trimmerului, pentru a preveni dezechilibrarea mânerelor și resimțirea vibrațiilor în acestea. De asemenea, verificați celelalte componente ale capului de tuns și curățați-le, dacă este necesar.

## Întreținerea

### Introducere

efectua operații de întreținere asupra produsului.



**AVERTISMENT:** Citiți și înțelegeți capitolul privind siguranța înainte de a

### Program de întreținere

Întreținere	Zilnic	Săptămănal	Lunar
Curățați suprafața exterioară.	X		
Verificați dacă hamul este deteriorat.	X		

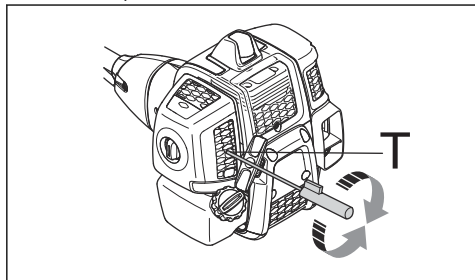
Întreținere	Zilnic	Săptămănal	Lunar
Verificați opritorul pârghiei de accelerație și pârghia de accelerație. Consultați <i>Verificarea opritorului pârghiei de accelerație la pagina 674.</i>	X		
Examinați mânerul pentru a vedea dacă nu prezintă deteriorări și asigurați-vă că este corect montat.	X		
Verificați comutatorul de oprire. Consultați <i>Pentru verificarea comutatorului de oprire la pagina 675.</i>	X		
Verificați ca accesoriul de tăiere să nu se rotească la turația de mers în gol.	X		
Curățați filtrul de aer. Înlocuiți dacă este deteriorat.	X		
Examinați apărătoarea accesoriului de tăiere, pentru a identifica eventuale deteriorări sau fisuri.	X		
Asigurați-vă de montarea corectă a lamei fierăstrăului sau a lamei de tăiat iarba. Asigurați-vă că lama fierăstrăului sau lama de tăiat iarba este ascuțită și nu este deteriorată.	X		
Examinați capul de tuns, pentru a vedea dacă nu prezintă deteriorări și fisuri. Înlocuiți dacă este deteriorat.	X		
Strângeți complet piulița de blocare a accesoriilor de tăiere cu o piuliță de blocare.	X		
Verificați apărătoarea pentru transport pentru a vedea dacă nu prezintă deteriorări și asigurați-vă că poate fi montată corect.	X		
Strângeți șuruburile și piulițele.	X		
Verificați etanșeitatea motorului, a rezervorului de carburant și a conductelor de carburant.	X		
Verificați demarorul și firul acestuia, pentru a vedea dacă nu prezintă deteriorări.		X	
Verificați bujia. Consultați <i>Pentru a verifica bujia la pagina 692.</i> Înlocuiți bujia atunci când este necesar. Asigurați-vă că bujia este prevăzută cu un amortizor.		X	
Curățați suprafața exterioră a carburatorului și zona din jurul acesteia.		X	
Asigurați-vă că angrenajul conic să fie umplut corect cu unsoare. Consultați <i>Angrenaj conic la pagina 692.</i>		X	
Verificați filtrul de combustibil din punctul de vedere al contaminării și furtunul de combustibil pentru a vedea dacă prezintă crăpături și alte defecte. Înlocuiți dacă este necesar.			X
Verificați toate cablurile și conexiunile.			X
Înlocuiți bujia. Asigurați-vă că bujia este prevăzută cu un amortizor.			X

## Reglarea turației de mers în gol

Acul pentru turație ridicată și cel pentru turație redusă sunt setate definitiv și nu pot fi reglate. Acul pentru turația de mers în gol este sigura funcție care poate fi reglată.

1. Porniți motorul și asigurați-vă că este cald înainte de a începe să reglați turația de mers în gol.

2. Rotiți șurubul de reglare a turației de mers în gol în sensul acelor de ceasornic până când accesoriul de tăiere începe să se rotească.



3. Rotiți șurubul de reglare a turației de mers în gol în sens contrar acelor de ceasornic până când accesoriul de tăiere se oprește.
4. Turația de mers în gol trebuie să fie sub valoarea la care accesoriul de tăiere începe să se rotească. Turația de mers în gol este corectă când motorul funcționează uniform în toate pozițiile.

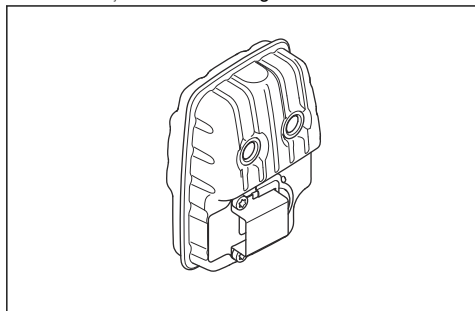
## Întreținerea amortizorului de zgomot

Amortizorul de zgomot reduce nivelul de zgomot și dirijează gazele de eșapament la distanță de utilizator.

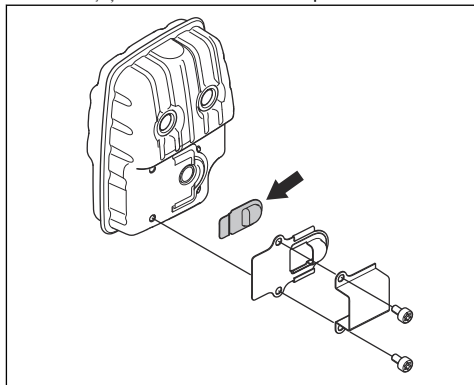


**AVERTISMENT:** Amortizoarele de zgomot care dispun de convertoare catalitice devin foarte fierbinți în timpul funcționării și rămân fierbinți pentru un anumit timp după oprirea produsului. Acest lucru este valabil și la turația de mers în gol. Dacă atingeți produsul, acest lucru poate cauza arsuri ale pielii. Gândiți-vă că există pericol de incendiu.

1. Opriți produsul și lăsați-l să se răcească.
2. Demontați amortizorul de zgomot.



3. Scoateți șurubul care fixează sita parascânteii.



4. Curățați sita parascânteii dacă aceasta este blocată sau înlocuiți-o dacă este deteriorată.



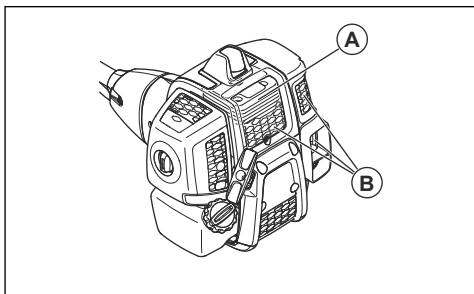
**ATENȚIE:** Sita parascânteii trebuie înlocuită dacă este deteriorată. Nu utilizați un produs dacă sita parascânteii de pe amortizorul de zgomot nu este instalată sau este defectă.



**ATENȚIE:** Dacă sita parascânteii se înfundă frecvent, acesta poate fi un semn că performanța convertorului catalitic este afectată. Contactați atelierul de service pentru a examina amortizorul de zgomot. O sită parascânteii înfundată va duce la supraîncălzire și la deteriorarea cilindrului și a pistonului.

## Pentru a curăța/întreține sistemul de răcire

Acest produs este prevăzut cu un sistem de răcire. Un sistem de răcire murdar sau blocat poate cauza supraîncălzirea produsului, ceea ce poate deteriora pistonul și cilindrul. Verificați și curățați sistemul de răcire cu o perie o dată pe săptămână sau mai frecvent, în condiții solicitante. Sistemul de răcire are aripioarele de răcire pe cilindrul (A) și pe priza de aer (B).



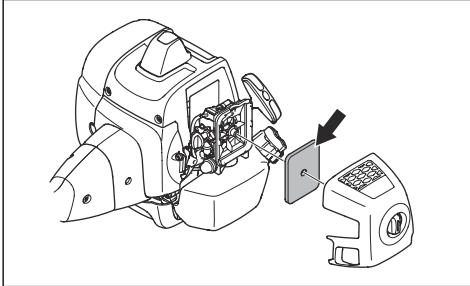
## Filtru de aer

Un filtru de aer murdar poate cauza defecțiuni la carburator, probleme la pornire, pierderea puterii motorului și uzura pieselor acestuia. De asemenea, determină motorul să consume mai mult carburant decât este necesar. Curățați filtrul la interval de 8 ore sau mai frecvent, dacă produsul este utilizat într-un mediu cu mult praf.

**Nota:** Este posibil să fie necesară o reglare a motorului după curățarea sau înlocuirea filtrului de aer. Consultați *Reglarea turației de mers în gol la pagina 690*.

## Curățarea și examinarea filtrului de aer

1. Scoateți filtrul de aer.



2. Curățați filtrul de aer din pâslă cu aer comprimat.

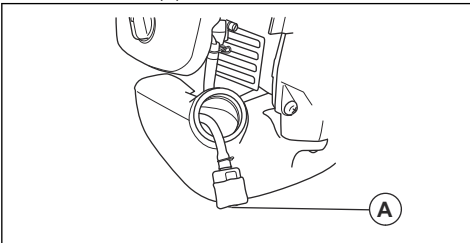


**ATENȚIE:** Înlocuiți filtrul de aer din pâslă dacă nu poate fi curățat complet. Dacă filtrul de aer din pâslă este deteriorat, înlocuiți-l întotdeauna.

3. Curățați suprafața interioară a capacului filtrului de aer. Utilizați aer comprimat sau o perie.

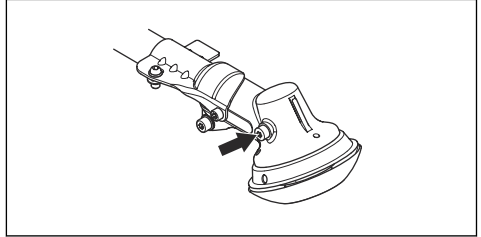
## Filtrul de carburant

Când motorul epuizează carburantul, asigurați-vă că orificiul de aer din bușonul rezervorului de carburant și filtrul de carburant (A) sunt curate.



## Angrenaj conic

Angrenajul conic este umplut cu cantitatea corectă de unsoare din fabrică. Dar, înainte de a utiliza produsul, asigurați-vă că angrenajul conic este plin 3/4 cu unsoare. Folosiți unsoare specială McCulloch.



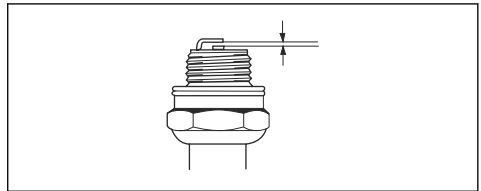
Nu este necesar să înlocuiți vaselina din angrenajul conic decât dacă acesta este reparat.

## Pentru a verifica bujia



**ATENȚIE:** Folosiți întotdeauna tipul recomandat de bujie. Tipul incorect de bujie poate defecta produsul.

- Verificați bujia dacă motorul nu are putere, nu pornește ușor sau nu funcționează corect la turația de mers în gol.
- Pentru a reduce riscul prezenței materialelor nedorite la electrozii bujiei, respectați aceste instrucțiuni:
  - a) Asigurați-vă că turația de mers în gol este corect reglată.
  - b) Asigurați-vă că amestecul este corect.
  - c) Asigurați-vă că filtrul de aer este curat.
- Dacă bujia este murdară, curățați-o și asigurați-vă că distanța dintre electrozii este corectă, consultați *Date tehnice la pagina 693*.



- Înlocuiți bujia atunci când este necesar.

## Date tehnice

	B40 B Elite	B40 BT Elite
<b>Motor</b>		
Cilindree, cm <sup>3</sup>	40,1	40,1
Diametrul cilindrului, Ø mm	40,5	40,5
Lungimea cursei cilindrului, mm	31,1	31,1
Turație de mers în gol, rot/min	3000	3000
Turația max. recomandată, rot/min	12000	12000
Turația arborelui de ieșire, rot/min	8220	8220
Putere max. de ieșire a motorului, conf. ISO 8893, kW la rpm	1,5 la 9000	1,5 la 9000
<b>Sistem de aprindere</b>		
Bujie	NGK CMR7H-10	NGK CMR7H-10
Apărătoare electrod, mm	0,9-1,0	0,9-1,0
<b>Carburant și sistem de ungere</b>		
Producător/tip de carburator	Ruixing H225D-	Ruixing H225D-
Capacitate rezervor de combustibil, l/cm <sup>3</sup>	1/1000	1/1000
<b>Greutate</b>		
Fără carburant, accesoriu de tăiere și apărătoare, kg	7,3	7,4
<b>Emisii de zgomot<sup>76</sup></b>		
Nivel de putere acustică, măsurat dB(A)	112	112
Nivel de putere acustică, garantat L <sub>WA</sub> dB(A)	118	118
<b>Niveluri de zgomot<sup>77</sup></b>		
Nivel echivalent de presiune a sunetului la urechea operatorului, măsurat conform EN ISO 11806 și ISO 22868, dB(A), min./max.		
Dotat cu cap de tuns (original)	100	100
Dotat cu lamă de tăiat iarba (originală)	99	99
Dotat cu lamă de ferăstrău (originală)	–	99

<sup>76</sup> Emisiile de zgomot în mediu măsurate ca putere acustică (L<sub>WA</sub>) în conformitate cu directiva CE 2000/14/CE. Nivelul de putere a sunetului raportat pentru aparat a fost măsurat cu accesoriul original de tăiere care emite cel mai ridicat nivel. Diferența dintre puterea garantată a sunetului și cea măsurată este aceea că puterea garantată a sunetului include, de asemenea, dispersia în rezultatul de măsurare și variațiile dintre diferitele aparate ale aceluiași model conform Directivei 2000/14/CE.

<sup>77</sup> Datele raportate pentru nivelul de presiune echivalentă a sunetului prezintă o distribuție statistică tipică (abateri standard) de 1 dB(A).

	B40 B Elite	B40 BT Elite
<b>Niveluri de vibrații<sup>78</sup></b>		
Niveluri echivalente de vibrații ( $a_{hv,eq}$ ) la mână, măsurate în conformitate cu EN ISO 11806 și ISO 22867, m/s <sup>2</sup>		
Dotat cu cap de tuns (original), stânga/dreapta	3,4/4,4	3,4/4,4
Dotat cu lamă de tăiat iarba (originală), stânga/dreapta	5,2/5,1	5,2/5,1
Dotat cu lamă de ferăstrău (originală), stânga/dreapta	–	4,5/4,2

<b>B40 B Elite, B40 BT Elite</b>		
Accesorii aprobate	Tip	Apărătoare accesoriu de tăiere, nr. piesă
Orificiu central al lamelor/frezelor, Ø 25,4 mm		
Filet arbore de ieșire M12		
Lamă de tăiat iarba/freză de tăiat iarba	Lamă de tăiat iarba 255-4, 1" (Ø 255, 4 dinți)	580 30 50-01
	Lamă de tăiat iarba 255-3 (Ø 255 3 dinți)	580 30 50-01
Lamă de ferăstrău	Lamă de ferăstrău 200-22 (ø 200-22 dinți)	581 33 84-01
Cap de tuns	P35	580 30 50-01
Cupă de susținere	Fix	–

<sup>78</sup> Datele raportate pentru nivelul de vibrații prezintă o dispersie statistică tipică (abatere standard) de 1 m/s<sup>2</sup>.

---

## Declarație de conformitate CE

---

### Declarație de conformitate CE

**Husqvarna AB**, SE-561 82 Huskvarna, Suedia, tel.: +46-36-146500, declarăm că acest cap de tuns **McCulloch B40 B Elite** cu seriile din 2021 și ulterioare (anul este specificat clar pe plăcuța de identificare, urmat de numărul de serie), respectă cerințele DIRECTIVEI CONSILIULUI:

- din 17 mai 2006 „referitoare la utilaje” **2006/42/CE**
- din 26 februarie 2014 „referitoare la compatibilitatea electromagnetică” **2014/30/UE**
- din 8 mai 2000 „referitoare la emisiile de zgomot în mediul înconjurător” **2000/14/CE**. Evaluare de conformitate conform Anexei V. Pentru informații privind emisiile de zgomot, consultați capitolul Date tehnice.
- din 8 iunie 2011 privind „restricțiile de utilizare a anumitor substanțe periculoase cu echipamente electrice și electronice” **2011/65/UE**.

Au fost aplicate următoarele standarde:

**EN ISO 12100:2010, CISPR 12:2007+A1:2009, EN ISO 14982:2009, EN ISO 11806-1:2011, EN IEC 63000:2018**

RISE SMP Svensk Maskinprovning AB, Box 7035, SE-750 07 Uppsala, Sweden a efectuat examinarea voluntară de tip în numele Husqvarna AB. Certificatele au numerele: **SEC/12/2339** - B40 B Elite, B40 BT Elite

RISE SMP Svensk Maskinprovning AB a verificat, de asemenea, conformitatea cu anexa V a Directivei Consiliului 2000/14/CE.

Huskvarna, 2020-08-25



Pär Martinsson, Director de Dezvoltare (reprezentant autorizat pentru Husqvarna AB și responsabil cu documentația tehnică)

---

## Περιεχόμενα

---

Εισαγωγή.....	696	Συντήρηση.....	718
Ασφάλεια.....	699	Τεχνικά στοιχεία.....	722
Συναρμολόγηση.....	707	Δήλωση Συμμόρφωσης ΕΚ.....	724
Λειτουργία.....	712	.....	0

---

## Εισαγωγή

---

### Περιγραφή προϊόντος

Το προϊόν είναι ένα θαμνοκοπτικό με κινητήρα εσωτερικής καύσης.

Εργαζόμαστε συνεχώς για απολαμβάνετε μεγαλύτερη ασφάλεια και υψηλότερη απόδοση κατά τη διάρκεια της εργασίας. Απευθυνθείτε στον αντιπρόσωπο σέρβις για περισσότερες πληροφορίες.

### Προβλεπόμενη χρήση

Χρησιμοποιείτε το προϊόν με πριονωτή λεπίδα, λεπίδα χόρτου ή κεφαλή χορτοκοπτικού, για την κοπή διαφορετικών τύπων βλάστησης. Μην χρησιμοποιείτε το

προϊόν για άλλες εργασίες εκτός από την κοπή χόρτων, τον καθαρισμό χόρτων και τον καθαρισμό δασών. Χρησιμοποιείτε μια πριονωτή λεπίδα για την κοπή ινωδών τύπων ξύλου. Χρησιμοποιείτε μια λεπίδα χόρτου ή μια κεφαλή χορτοκοπτικού για την κοπή του χόρτου.

---

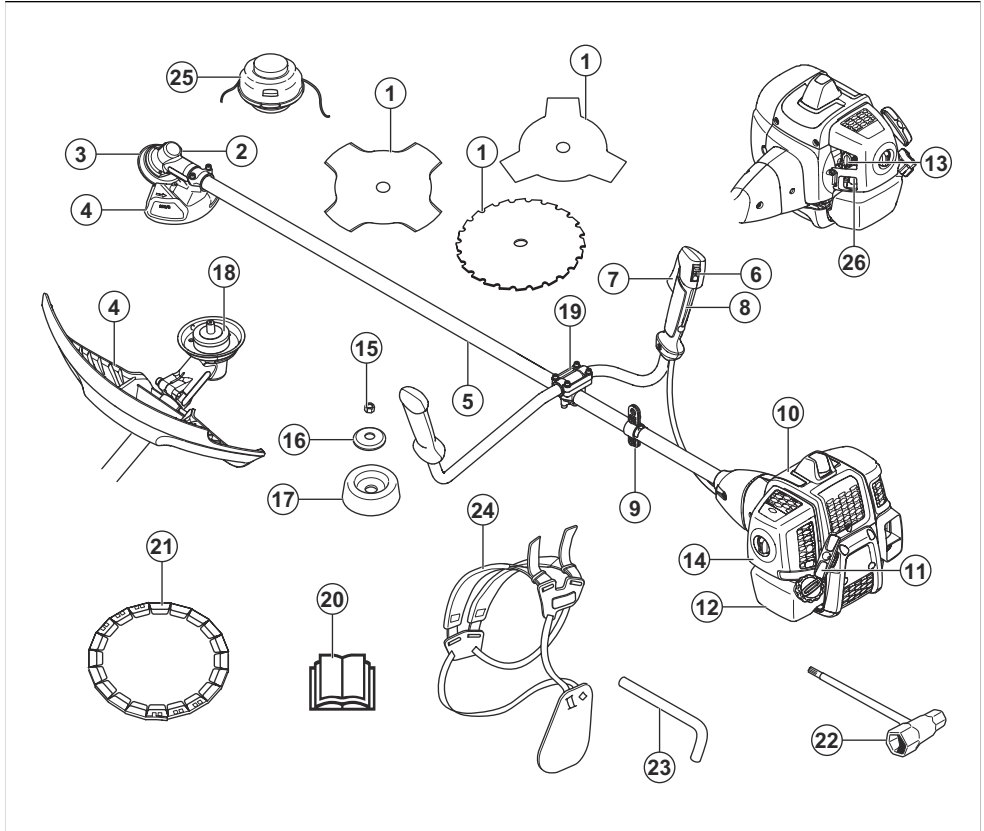
**Περιεχόμενα** Η χρήση μπορεί να ρυθμίζεται από εθνικούς ή τοπικούς κανονισμούς. Οι εκάστοτε κανονισμοί πρέπει να τηρούνται.

---

Χρησιμοποιείτε το προϊόν μόνο με τα παρελκόμενα που έχουν εγκριθεί από τον κατασκευαστή. Ανατρέξτε στην ενότητα *Τεχνικά στοιχεία στη σελίδα 722*.



## Επισκόπηση προϊόντος



- |  |   |
|--|---|
| <ol style="list-style-type: none"> <li>1. Λεπίδα (όχι σε όλες τις αγορές)</li> <li>2. Τάπα πλήρωσης γράσου, γωνιακή κίνηση</li> <li>3. Κωνικό γρανάτζι</li> <li>4. Προφυλακτήρας παρελκόμενου κοπής</li> <li>5. Αξονας</li> <li>6. Διακόπτης διακοπής λειτουργίας</li> <li>7. Σκανδάλη γκαζιού</li> <li>8. Ασφάλεια γκαζιού</li> <li>9. Δακτύλιος ανάρτησης</li> <li>10. Κάλυμμα κυλίνδρου</li> <li>11. Λαβή συστήματος εκκίνησης</li> <li>12. Ντεπόζιτο καυσίμου</li> <li>13. Χειριστήριο τσοκ</li> <li>14. Κάλυμμα φίλτρου αέρα</li> <li>15. Κόντρα παξιμάδι</li> <li>16. Φλάντζα στήριξης</li> <li>17. Δοχείο στήριξης</li> <li>18. Δίσκος μετάδοσης</li> </ol> | <ol style="list-style-type: none"> <li>19. Σφιγκτήρας τιμονιού</li> <li>20. Εγχειρίδιο χρήσης</li> <li>21. Προστατευτικό μεταφοράς (όχι σε όλες τις αγορές)</li> <li>22. Πολύγωνο κλειδί</li> <li>23. Πείρος ασφάλισης (σε προϊόντα χωρίς εξαγωγικό κλειδί)</li> <li>24. Εξάρτηση</li> <li>25. Κεφαλή χορτοκοπτικού</li> <li>26. Φούσκα πλήρωσης χειροκίνητης αντλίας καυσίμου (πουάρ)</li> </ol> |
|--|---|

### Σύμβολα στο προϊόν



**ΠΡΟΕΙΔΟΠΟΙΗΣΗ!** Αυτό το προϊόν είναι επικίνδυνο. Μπορεί να προκληθεί τραυματισμός ή θάνατος του χειριστή ή των παρευρισκόμενων αν το προϊόν δεν χρησιμοποιείται προσεκτικά και σωστά. Για να αποτραπεί ο τραυματισμός του χειριστή ή των παρευρισκόμενων,

διαβάστε και τηρείτε όλες τις οδηγίες ασφαλείας που αναφέρονται στο εγχειρίδιο χρήσης.



Προτού χρησιμοποιήσετε το προϊόν, διαβάστε προσεκτικά το εγχειρίδιο χρήσης και βεβαιωθείτε ότι έχετε κατανοήσει τις οδηγίες.



Χρησιμοποιείτε ένα κράνος προστασίας σε σημεία όπου μπορεί να πέσουν αντικείμενα επάνω σας. Πρέπει να χρησιμοποιείτε εγκεκριμένα προστατευτικά ακοής. Πρέπει να χρησιμοποιείτε εγκεκριμένα μέσα προστασίας των ματιών.



Πρέπει να χρησιμοποιείτε εγκεκριμένα προστατευτικά γάντια.



Χρησιμοποιήστε αντιολισθητικές μπότες βαρέος τύπου.



Το προϊόν μπορεί να προκαλέσει την εκτίναξη αντικειμένων, το οποίο μπορεί να προκαλέσει τραυματισμό.



Μέγιστη ταχύτητα του κινητήριου άξονα.



Κατά τη διάρκεια της λειτουργίας του προϊόντος, διατηρείτε ελάχιστη απόσταση 15 μέτρων/50 ποδιών από ανθρώπους και ζώα.



Αν ο εξοπλισμός κοπής ακουμπήσει ένα αντικείμενο και δεν μπορέσει να το κόψει αμέσως, υπάρχει κίνδυνος ώσης της λεπίδας. Το προϊόν μπορεί να κόψει μέρη του σώματος. Για όση ώρα λειτουργεί το προϊόν, να διατηρείτε ελάχιστη απόσταση 15 μέτρων/50 ποδιών από ανθρώπους και ζώα.



Χρησιμοποιείτε μόνο εύκαμπτο σύρμα κοπής. Μην χρησιμοποιείτε μεταλλικά στοιχεία κοπής. Εφαρμόστε το για το αξεσουάρ προφυλακτικά χόρτου.



Τα βέλη υποδεικνύουν το όριο για τη θέση της λαβής.



Φούσκα πλήρωσης χειροκίνητης αντλίας καυσίμου (πουάρ).



Ανεφοδιασμός με καύσιμο.



Τσοκ.



Εκπομπές θορύβου στο περιβάλλον σύμφωνα με την ευρωπαϊκή οδηγία 2000/14/EK και τη νομοθεσία της Νότιας Νέας Ουαλίας "Κανονισμός για την προστασία των περιβαλλοντικών δράσεων (έλεγχος θορύβου) του 2017". Τα στοιχεία για τις εκπομπές θορύβου βρίσκονται στην ετικέτα του μηχανήματος και στο *Τεχνικά στοιχεία στη σελίδα T22*.



Το προϊόν συμμορφώνεται με τις ισχύουσες οδηγίες ΕΚ.

yyyywwxxxx

Η πινακίδα στοιχείων ή το τυπωμένο μέρος με λείζερ δείχνει τον αριθμό σειράς. Το **yyyy** είναι το έτος παραγωγής, το **ww** είναι η εβδομάδα παραγωγής.

**Περιεχόμενα** Άλλα σύμβολα/σήματα που υπάρχουν στο προϊόν αναφέρονται σε απαιτήσεις πιστοποίησης για άλλους εμπορικούς τομείς.

## Ευθύνη προϊόντος

Όπως αναφέρεται στη νομοθεσία περί ευθύνης για τα προϊόντα, δεν φέρουμε καμία ευθύνη για ζημιές που οφείλονται στο προϊόν μας εάν:

- Το προϊόν έχει επισκευαστεί λανθασμένα.
- Το προϊόν έχει επισκευαστεί με εξαρτήματα που δεν προέρχονται από τον κατασκευαστή ή που δεν έχουν εγκριθεί από τον κατασκευαστή.
- Το προϊόν διαθέτει ένα αξεσουάρ που δεν προέρχεται από τον κατασκευαστή ή που δεν έχει εγκριθεί από τον κατασκευαστή.
- Το προϊόν δεν έχει επισκευαστεί σε εγκεκριμένο κέντρο σέρβις ή από εγκεκριμένη αρχή.

## Εκπομπές Euro V



**ΠΡΟΕΙΔΟΠΟΙΗΣΗ:** Οποιαδήποτε μη εξουσιοδοτημένη παρέμβαση στον

## Ασφάλεια

### Ορισμοί για την ασφάλεια

Οι παρακάτω ορισμοί παρέχουν το βαθμό σοβαρότητας για κάθε προειδοποιητική λέξη.



**ΠΡΟΕΙΔΟΠΟΙΗΣΗ:** Τραυματισμός ατόμων.



**ΠΡΟΣΟΧΗ:** Ζημιά του προϊόντος.

**Περιεχόμενα** Αυτές οι πληροφορίες διευκολύνουν τη χρήση του προϊόντος.

### Γενικές οδηγίες ασφαλείας



**ΠΡΟΕΙΔΟΠΟΙΗΣΗ:** Προτού χρησιμοποιήσετε το προϊόν, διαβάστε τις παρακάτω προειδοποιητικές οδηγίες.

- Αυτό το προϊόν παράγει ηλεκτρομαγνητικό πεδίο κατά τη λειτουργία του. Το πεδίο αυτό, υπό ορισμένες συνθήκες, μπορεί να προκαλέσει παρεμβολές σε ενεργά ή παθητικά ιατρικά εμφυτεύματα. Για να μειωθεί ο κίνδυνος σοβαρών ή θανατηφόρων τραυματισμών, συνιστούμε στα άτομα με ιατρικά εμφυτεύματα να συμβουλευούνται το θεράποντα ιατρό τους και τον κατασκευαστή του ιατρικού εμφυτεύματος, προτού θέσουν το προϊόν σε λειτουργία.
- Μην χρησιμοποιείτε το προϊόν αν είστε κουρασμένοι, άρρωστοι ή υπό την επήρεια αλκοόλ, ναρκωτικών ή φαρμάκων. Αυτά έχουν αρνητικές συνέπειες στην όραση, την αυτοσυγκέντρωση, τον συντονισμό και την κρίση σας.
- Μην χρησιμοποιείτε το προϊόν σε κακές καιρικές συνθήκες, όπως πυκνή ομίχλη, δυνατή βροχή, ισχυροί άνεμοι και έντονο ψύχος. Η χρήση του προϊόντος σε άσχημες καιρικές συνθήκες μπορεί να σας κοράσει και ενέχει πρόσθετους κινδύνους, όπως παγωμένο έδαφος και απρόβλεπτη κατεύθυνση ρίψης.
- Πρέπει πάντα να προσέχετε και να χρησιμοποιείτε την κοινή λογική. Αν δεν νιώθετε σίγουροι σχετικά με τις συνθήκες εργασίας ή τις διαδικασίες χειρισμού αφού διαβάσετε το εγχειρίδιο χρήσης, συμβουλευτείτε έναν αντιπρόσωπο σέρβις προτού συνεχίσετε.
- Αν το προϊόν είναι εκτός ορατότητας, αφαιρέστε το καπάκι μπουζί.

### Οδηγίες ασφαλείας για τη συναρμολόγηση



**ΠΡΟΕΙΔΟΠΟΙΗΣΗ:** Προτού χρησιμοποιήσετε το προϊόν, διαβάστε τις παρακάτω προειδοποιητικές οδηγίες.

- Χρησιμοποιείτε εγκεκριμένα προστατευτικά γάντια κατά τη συναρμολόγηση του προϊόντος και του παρελκόμενου κοπής.
- Αφαιρέστε το καπάκι από το μπουζί πριν από τη συναρμολόγηση του προϊόντος.
- Προτού χρησιμοποιήσετε το προϊόν, βεβαιωθείτε ότι έχει συναρμολογηθεί η σωστή χειρολαβή και ο σωστός προφυλακτήρας παρελκόμενου κοπής.
- Ένας ελαττωματικός ή λανθασμένος προφυλακτήρας παρελκόμενου κοπής μπορεί να προκαλέσει τραυματισμό. Μην χρησιμοποιείτε το παρελκόμενο κοπής χωρίς εγκεκριμένο προφυλακτήρα.
- Τοποθετήστε σωστά το κάλυμμα του συμπλέκτη και τον άξονα προτού θέσετε σε λειτουργία το προϊόν.
- Ο δίσκος μετάδοσης και η φλάντζα στήριξης πρέπει να συμπλέκονται σωστά στην κεντρική οπή του παρελκόμενου κοπής. Αν το παρελκόμενο κοπής προσαρτηθεί εσφαλμένα, μπορεί να προκαλέσει τραυματισμό ή θάνατο.
- Συνδέστε την εξάρτηση στο προϊόν για να εμποδίσετε τον τραυματισμό του χειριστή ή άλλων ατόμων.

### Οδηγίες ασφαλείας για τη λειτουργία



**ΠΡΟΕΙΔΟΠΟΙΗΣΗ:** Προτού χρησιμοποιήσετε το προϊόν, διαβάστε τις παρακάτω προειδοποιητικές οδηγίες.

- Μάθετε και κατανοήστε τη διαφορά μεταξύ του καθαρισμού δασών, του καθαρισμού χόρτων και της κοπής χόρτων προτού χρησιμοποιήσετε το προϊόν.
- Χρησιμοποιείτε προσωπικό εξοπλισμό προστασίας, ανατρέξτε στην ενότητα *Προσωπικός εξοπλισμός προστασίας στη σελίδα 700*.
- Η μακροπρόθεσμη έκθεση στο θόρυβο μπορεί να οδηγήσει σε μόνιμη απώλεια ακοής. Χρησιμοποιείτε πάντα εγκεκριμένα προστατευτικά ακοής.
- Έχετε το νου σας μήπως ακούσετε προειδοποιητικά σήματα και δυνατές φωνές όταν χρησιμοποιείτε προστατευτικά ακοής. Αφαιρείτε πάντα τα προστατευτικά ακοής όταν σβήσει ο κινητήρας.
- Μην χρησιμοποιείτε ποτέ το προϊόν αν έχει τροποποιηθεί ή είναι ελαττωματικό.

- Βεβαιωθείτε ότι το καπάκι μπουζι και το μπουζοκαλώδιο δεν έχουν υποστεί ζημιά, για να αποφύγετε τον κίνδυνο ηλεκτροπληξίας.
- Ελέγξτε το χώρο εργασίας για να βεβαιωθείτε ότι δεν υπάρχουν άτομα, ζώα ή αντικείμενα που έχουν αρνητικές επιπτώσεις στην ασφάλεια της λειτουργίας του προϊόντος.
- Ελέγξτε το χώρο εργασίας για να βεβαιωθείτε ότι δεν υπάρχουν άτομα ή ζώα που έρχονται σε επαφή με το παρελκόμενο κοπής ή που μπορούν να χτυπηθούν από αντικείμενα που εκσφενδονίζονται από το παρελκόμενο κοπής.
- Μην χρησιμοποιείτε το προϊόν σε συνθήκες ή σε σημείο όπου δεν μπορείτε να λάβετε βοήθεια σε περίπτωση ατυχήματος.
- Μην χρησιμοποιείτε το προϊόν χωρίς εγκεκριμένο προφυλακτήρα παρελκόμενου κοπής.
- Κατά τη διάρκεια της εργασίας, βεβαιωθείτε ότι διατηρείτε ελάχιστη απόσταση 15 μέτρων/50 ποδιών από ανθρώπους και ζώα. Κοιτάζετε πάντα πίσω σας προτού γυρίσετε με το προϊόν. Σταματήστε αμέσως το προϊόν αν ένα άτομο ή ζώο εισέλθει στη ζώνη ασφαλείας 15 μέτρων/50 ποδιών. Αν εργάζονται περισσότεροι από 1 χειριστές στον ίδιο χώρο, θα πρέπει να διατηρείτε μια απόσταση ασφαλείας ίση με τουλάχιστον 2 φορές το ύψος του δέντρου και όχι μικρότερη από 15 μέτρα/50 πόδια.
- Εξετάστε το χώρο εργασίας. Αποφύγετε τα ελεύθερα αντικείμενα, όπως πέτρες, σπασμένα γυαλιά, καρφιά, ασφάλια σύρματα και σχοινιά, που μπορούν να εκσφενδονιστούν ή να τυλιχτούν γύρω από το παρελκόμενο κοπής.
- Βεβαιωθείτε ότι μπορείτε να μετακινήσετε με ασφάλεια και ότι έχετε ασφαλή στάση σώματος. Εξετάστε το χώρο γύρω σας για εμπόδια, όπως ρίζες, βράχια, κλαδιά και χαντάκια. Να είστε προσεκτικοί κατά την εργασία σε πρηνή.



- Μην τεντώνετε υπερβολικά. Κρατήστε σταθερή τη θέση των ποδιών σας και να έχετε πάντα καλή ισορροπία.
- Προτού θέσετε σε λειτουργία το προϊόν, τοποθετήστε το σε μια επίπεδη επιφάνεια και σε απόσταση τουλάχιστον 3 μέτρων/10 ποδιών από την πηγή καύσιμου και από το σημείο ανεφοδιασμού με καύσιμο. Βεβαιωθείτε ότι δεν υπάρχουν αντικείμενα κοντά ή σε επαφή με το παρελκόμενο κοπής.

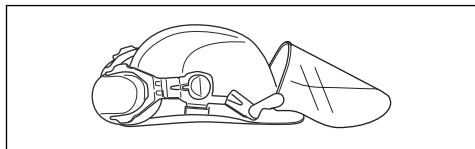
- Αν το παρελκόμενο κοπής περιστρέφεται σε στροφές ανά λεπτό ρελαντί, πρέπει να ρυθμιστεί από έναν αντιπρόσωπο σέρβις. Μην χρησιμοποιείτε το προϊόν μέχρι να ρυθμιστεί ή να επισκευαστεί.
- Προσέχετε τυχόν αντικείμενα που εκτοξεύονται. Πρέπει πάντα να χρησιμοποιείτε μέσα προστασίας των ματιών και να παραμένετε μακριά από τον προφυλακτήρα του παρελκόμενου κοπής. Πέτρες και άλλα μικρά αντικείμενα μπορεί να εκτοξευθούν στα μάτια σας και να προκαλέσουν τύφλωση ή άλλους τραυματισμούς.
- Μην τοποθετείτε το προϊόν κάτω όταν ο κινητήρας είναι σε λειτουργία, παρά μόνο αν είστε σε θέση να το παρακολουθείτε καλά.
- Μην αφαιρείτε το κομμένο υλικό και μην επιτρέπετε σε άλλα άτομα να παίρνουν κομμένο υλικό, όταν ο κινητήρας είναι σε λειτουργία ή όταν ο εξοπλισμός κοπής περιστρέφεται, καθώς αυτό μπορεί να προκαλέσει σοβαρό τραυματισμό.
- Πρέπει πάντα να σβήνετε τον κινητήρα και να βεβαιώνετε ότι ο εξοπλισμός κοπής δεν περιστρέφεται προτού αφαιρέσετε υλικό που έχει τυλιχτεί γύρω από τον άξονα της λεπίδας ή που έχει μαγκώσει ανάμεσα στον προφυλακτήρα και το παρελκόμενο κοπής.
- Να είστε προσεκτικοί όταν αφαιρείτε υλικό γύρω από τον εξοπλισμό κοπής. Το κωνικό γρανάζι αναπτύσσει υψηλή θερμοκρασία κατά τη λειτουργία και μπορεί να προκαλέσει εγκαύματα.
- Οι αναθυμιάσεις της εξάτμισης από τον κινητήρα είναι καυτές και μπορεί να περιέχουν σπινθήρες. Κίνδυνος πυρκαγιάς. Να είστε προσεκτικοί γύρω από στεγνό και εύφλεκτο υλικό.
- Μην χρησιμοποιείτε ποτέ το προϊόν σε εσωτερικούς χώρους ή σε χώρους χωρίς επαρκή αερισμό. Οι αναθυμιάσεις της εξάτμισης περιέχουν μονοξειδίο του άνθρακα, ένα άοσμο, δηλητηριώδες και ιδιαίτερα επικίνδυνο αέριο.
- Σβήνετε τον κινητήρα προτού μετακινήσετε σε ένα νέο χώρο εργασίας. Προσαρτάτε πάντα το προστατευτικό μεταφοράς προτού μετακινήσετε τον εξοπλισμό.
- Η υπερέκθεση σε κραδασμούς μπορεί να προκαλέσει βλάβη στο κυκλοφορικό ή νευρικό σύστημα σε άτομα με βεβαρημένο κυκλοφορικό. Αν αισθανθείτε συμπτώματα υπερέκθεσης σε κραδασμούς, επικοινωνήστε με το γιατρό σας. Παραδείγματα τέτοιων συμπτωμάτων είναι το μούδιασμα, η απώλεια αίσθησης, οι σουβλιές, ο πόνος, η μίκιη απονία και η αλλαγή στο χρώμα ή την κατάσταση του δέρματος. Τα συμπτώματα αυτά συνήθως εμφανίζονται στα δάχτυλα, τις παλάμες ή τους καρπούς. Ο κίνδυνος αυξάνεται σε χαμηλές θερμοκρασίες.

## Προσωπικός εξοπλισμός προστασίας

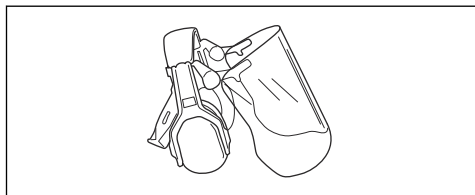


**ΠΡΟΕΙΔΟΠΟΙΗΣΗ:** Προτού χρησιμοποιήσετε το προϊόν, διαβάστε τις παρακάτω προειδοποιητικές οδηγίες.

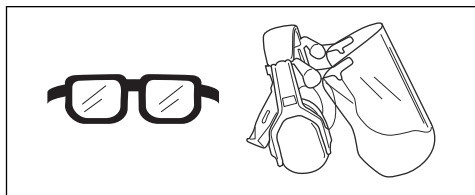
- Όταν χρησιμοποιείτε το προϊόν, να φοράτε πάντα εγκεκριμένο προσωπικό εξοπλισμό προστασίας. Ο προσωπικός εξοπλισμός προστασίας δεν μπορεί να εξαλείψει τον κίνδυνο τραυματισμών, ωστόσο μειώνει τη σοβαρότητά τους σε περίπτωση ατυχήματος. Ο αντιπρόσωπος θα σας βοηθήσει να επιλέξετε το σωστό εξοπλισμό.
- Αν τα δέντρα στην περιοχή εργασίας έχουν ύψος μεγαλύτερο από 2 μέτρα/6,5 πόδια, χρησιμοποιήστε κράνος.



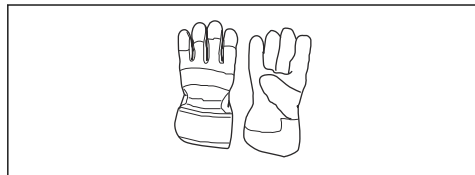
- Χρησιμοποιείτε εγκεκριμένα προστατευτικά ακοής.



- Χρησιμοποιείτε εγκεκριμένη προστασία των ματιών. Εάν χρησιμοποιείτε προστατευτικό γέισο, πρέπει επίσης να χρησιμοποιείτε πάντα εγκεκριμένα προστατευτικά γυαλιά. Τα εγκεκριμένα προστατευτικά γυαλιά πρέπει να συμμορφώνονται με το πρότυπο ANSI Z87.1 στις Η.Π.Α. ή το πρότυπο EN 166 στις χώρες της Ε.Ε.



- Όταν χρειάζεται, να χρησιμοποιείτε γάντια, για παράδειγμα κατά την τοποθέτηση, την επιθεώρηση ή τον καθαρισμό του εξοπλισμού κοπής.



- Πρέπει να χρησιμοποιείτε μπότες προστασίας με μεταλλική ενίσχυση στην περιοχή των δακτύλων και αντιολισθητικές σόλες.



- Να φοράτε ρούχα από ανθεκτικό ύφασμα. Να φοράτε πάντα ανθεκτικό μακρύ παντελόνι και μακριά μανίκια. Να μην φοράτε φαρδιά ρούχα που μπορεί να πιαστούν σε κλωνάρια και κλαδιά. Μην φοράτε κοσμήματα, κοντά παντελόνια ή σανδάλια. Μην περπατάτε με γυμνά πόδια. Να δένετε τα μαλλιά σας με ασφάλεια πάνω από το ύψος των ώμων.
- Διατηρήστε κοντά τον εξοπλισμό πρώτων βοηθειών.



### Συσκευές ασφαλείας στο προϊόν

Για πληροφορίες σχετικά με το πού μπορείτε να βρείτε τις συσκευές ασφαλείας, βλ. *Προστατευτικό εξαρτήματος κοπής στη σελίδα 703.*



**ΠΡΟΕΙΔΟΠΟΙΗΣΗ:** Προτού χρησιμοποιήσετε το προϊόν, διαβάστε τις παρακάτω προειδοποιητικές οδηγίες.

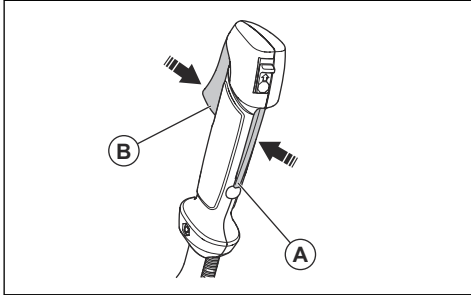
- Μην χρησιμοποιείτε ποτέ το προϊόν, αν υπάρχουν ελαττωματικές συσκευές ασφαλείας. Εκτελείτε τακτικά έλεγχο και συντήρηση των συσκευών ασφαλείας. Αν οι συσκευές ασφαλείας είναι ελαττωματικές, απευθυνθείτε στον αντιπρόσωπο σέρβις της McCulloch.
- Μην πραγματοποιείτε αλλαγές στις συσκευές ασφαλείας. Μην χρησιμοποιείτε το προϊόν αν τα προστατευτικά καλύμματα, οι διακόπτες ασφαλείας ή άλλες προστατευτικές διατάξεις δεν έχουν προσαρτηθεί ή παρουσιάζουν ελάττωμα.
- Για όλες τις εργασίες σέρβις και επισκευής στο προϊόν, ιδιαίτερα για τις συσκευές ασφαλείας, είναι απαραίτητη ειδική εκπαίδευση. Αν οι συσκευές ασφαλείας δεν ολοκληρώσουν επιτυχώς τους ελέγχους που αναφέρονται σε αυτό το εγχειρίδιο χρήσης, πρέπει να απευθυνθείτε σε έναν αντιπρόσωπο σέρβις για βοήθεια. Εγγυόμαστε ότι διατίθενται επαγγελματικές εργασίες επισκευής και σέρβις. Αν ο αντιπρόσωπός σας δεν είναι αντιπρόσωπος σέρβις, μιλήστε του για πληροφορίες σχετικά με τον πλησιέστερο αντιπρόσωπο σέρβις.

- Να μην χρησιμοποιείτε το εξάρτημα κοπής χωρίς έναν εγκεκριμένο και σωστά τοποθετημένο προφυλακτήρα. Ανατρέξτε στην ενότητα *Τεχνικά στοιχεία* στη *σελίδα 722*.

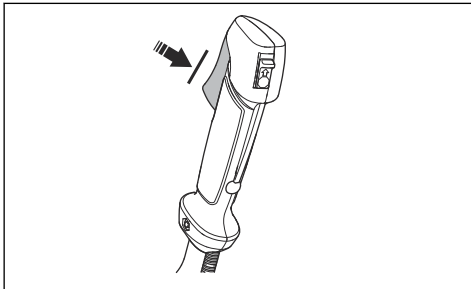
### Έλεγχος της ασφάλειας σκανδάλης γκαζιού

Η ασφάλεια γκαζιού έχει σχεδιαστεί για να αποτρέπει την τυχαία λειτουργία του χειριστήριου γκαζιού.

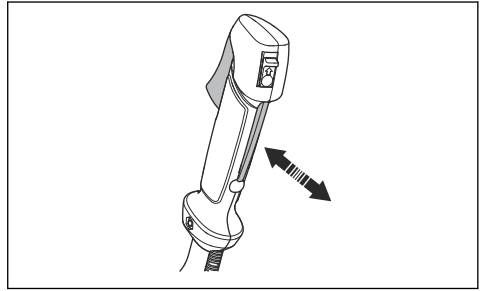
1. Πατήστε την ασφάλεια της σκανδάλης γκαζιού (A) και ελέγξτε αν ελευθερώνεται το χειριστήριο γκαζιού (B). Όταν απελευθερώνετε τη χειρολαβή, το χειριστήριο γκαζιού και η ασφάλεια της σκανδάλης γκαζιού μετακινούνται προς τα πίσω στην αρχική τους θέση. Αυτή η κίνηση ελέγχεται από δύο ελατήρια επαναφοράς. Αυτή η διάταξη σημαίνει ότι το χειριστήριο γκαζιού κλειδώνει αυτόματα στο ρελαντί.



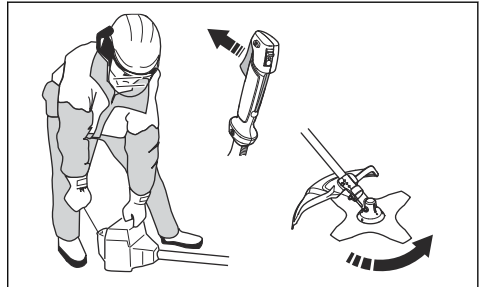
2. Βεβαιωθείτε ότι το χειριστήριο γκαζιού κλειδώνει στη ρύθμιση του ρελαντί, όταν απελευθερώνεται η ασφάλεια της σκανδάλης γκαζιού.



3. Πατήστε την ασφάλεια της σκανδάλης γκαζιού και βεβαιωθείτε ότι επιστρέφει στην αρχική της θέση όταν την αφήνετε.



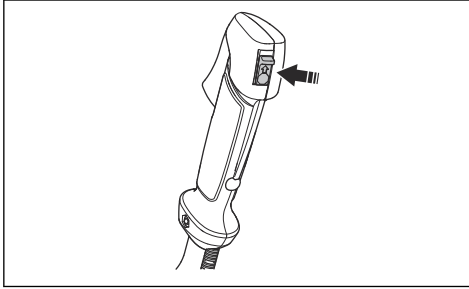
4. Ελέγξτε ότι το χειριστήριο γκαζιού και η ασφάλεια της σκανδάλης γκαζιού κινούνται ελεύθερα και ότι τα ελατήρια επαναφοράς λειτουργούν κανονικά.
5. Θέστε το προϊόν σε λειτουργία (βλ. οδηγίες στην ενότητα *Για εκκίνηση και σταμάτημα* στη *σελίδα 713*) και ανοίξτε τέρμα το γκάζι.
6. Αφήστε το γκάζι και βεβαιωθείτε ότι το εξάρτημα κοπής σταματά και παραμένει ακινητοποιημένο. Εάν η κίνηση του εξαρτήματος κοπής με το γκάζι είναι στη θέση του ρελαντί, ρυθμίστε το καρμπυρατέρ. Ανατρέξτε στις οδηγίες στο κεφάλαιο *Για να ρυθμίσετε τις στροφές ανά λεπτό ρελαντί* στη *σελίδα 719*.



### Για έλεγχο του διακόπτη τερματισμού λειτουργίας

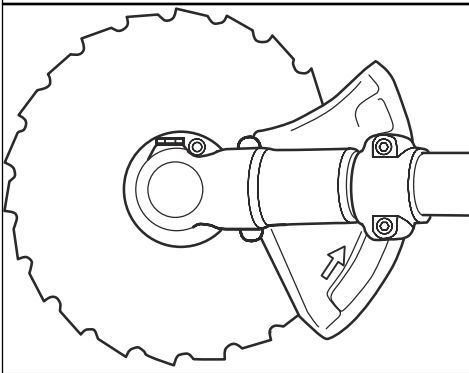
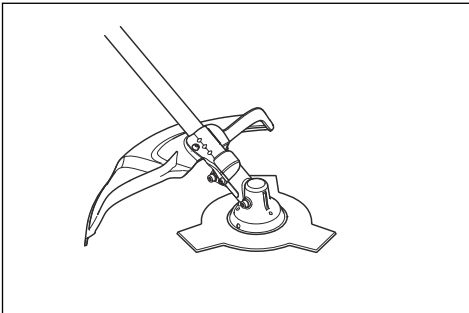
1. Εκκινήστε τον κινητήρα.

2. Μετακινήστε τον διακόπτη τερματισμού λειτουργίας στη θέση τερματισμού και βεβαιωθείτε ότι ο κινητήρας σταματά.



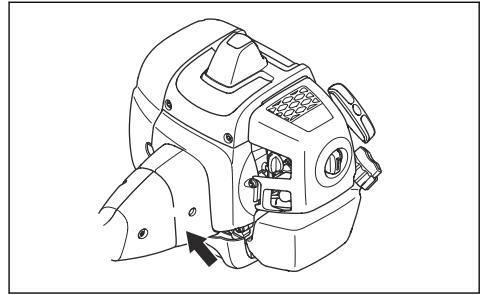
### Προστατευτικό εξαρτήματος κοπής

Το προστατευτικό παρελκόμενου κοπής εμποδίζει την εκτίναξη σκόρπιων αντικειμένων προς την κατεύθυνση του χειριστή. Εξετάστε το προστατευτικό παρελκόμενο κοπής για ζημιιά και αντικαταστήστε το, εάν έχει υποστεί ζημιιά. Χρησιμοποιήστε μόνο το εγκεκριμένο προστατευτικό για το παρελκόμενο κοπής.



### Για τον έλεγχο του συστήματος απόσβεσης κραδασμών

Το σύστημα απόσβεσης κραδασμών μειώνει τους κραδασμούς στις χειρολαβές στο ελάχιστο, γεγονός που καθιστά την εργασία ευκολότερη.



1. Σβήσιμο του κινητήρα.
2. Πραγματοποιήστε οπτικό έλεγχο για τυχόν παραμόρφωση και ζημιιά π.χ. ρωγμές.
3. Βεβαιωθείτε ότι τα στοιχεία του συστήματος απόσβεσης κραδασμών είναι στερεωμένα σωστά.

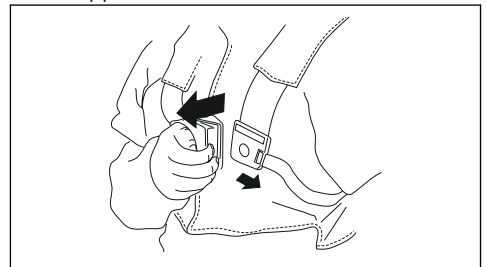
### Για τον έλεγχο του μηχανισμού ταχείας απασφάλισης



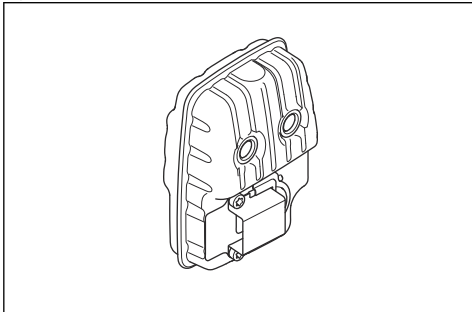
**ΠΡΟΕΙΔΟΠΟΙΗΣΗ:** Μην χρησιμοποιείτε εξάρτηση με ελαττωματικό μηχανισμό ταχείας απασφάλισης.

Ο μηχανισμός ταχείας απασφάλισης επιτρέπει στο χειριστή να αφαιρεί γρήγορα το προϊόν από την εξάρτηση σε περίπτωση έκτακτης ανάγκης.

1. Σβήστε τον κινητήρα.
2. Εκτελέστε οπτικό έλεγχο για ζημιές π.χ. ρωγμές.
3. Απελευθερώστε και προσαρτήστε το μηχανισμό ταχείας απασφάλισης, για να βεβαιωθείτε ότι λειτουργεί σωστά.



## Εξάτμιση



- Μην χρησιμοποιείτε κινητήρα με κατεστραμμένη εξάτμιση (σιγαστήρας). Η κατεστραμμένη εξάτμιση (σιγαστήρας) αυξάνει το επίπεδο θορύβου και τον κίνδυνο φωτιάς. Πρέπει να υπάρχει σε μικρή απόσταση πυροσβεστήρας.
- Εξετάζετε τακτικά ότι η εξάτμιση (σιγαστήρας) είναι προσαρτημένη στο προϊόν.
- Μην αγγίζετε τον κινητήρα ή την εξάτμιση (σιγαστήρας) όταν ο κινητήρας είναι σε λειτουργία. Μην αγγίζετε τον κινητήρα ή την εξάτμιση (σιγαστήρας) για ένα διάστημα μετά το σβήσιμο του κινητήρα. Οι καυτές επιφάνειες μπορεί να προκαλέσουν τραυματισμούς.
- Η καυτή εξάτμιση (σιγαστήρας) μπορεί να προκαλέσει πυρκαγιά. Να είστε προσεκτικοί εάν χρησιμοποιείτε το προϊόν κοντά σε εύφλεκτα υγρά ή αέρια.
- Μην αγγίζετε τα εξαρτήματα στην εξάτμιση (σιγαστήρας), εάν η εξάτμιση έχει υποστεί ζημιά. Τα εξαρτήματα μπορεί να περιέχουν μερικές καρκινογόνες χημικές ουσίες.
- Εάν το προϊόν διαθέτει σήτα συγκράτησης σπινθήρων, πρέπει να την καθαρίζετε ανά τακτά διαστήματα. 🚫

## Για την προσάρτηση και την αφαίρεση του ασφαλιστικού παξιμαδιού

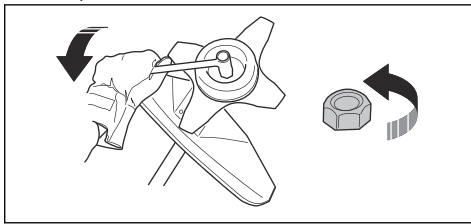


**ΠΡΟΕΙΔΟΠΟΙΗΣΗ:** Διακόψτε τη λειτουργία του κινητήρα, χρησιμοποιήστε προστατευτικά γάντια και να είστε προσεκτικοί γύρω από τα αιχμηρά άκρα του εξαρτήματος κοπής.

Για την τοποθέτηση ορισμένων τύπων εξαρτημάτων κοπής χρησιμοποιείται ασφαλιστικό παξιμάδι. Το ασφαλιστικό παξιμάδι έχει αριστερόστροφο σπείρωμα.

- Για να τοποθετήσετε το κόντρα παξιμάδι, σφίξτε το αντίθετα από την κατεύθυνση περιστροφής του παρελκόμενου κοπής.
- Για να αφαιρέσετε το κόντρα παξιμάδι, χαλαρώστε το κατά τη φορά περιστροφής του παρελκόμενου κοπής.

- Για να χαλαρώσετε και να σφίξετε το κόντρα παξιμάδι, χρησιμοποιήστε ένα πολύγωνο κλειδί με μακρύ άξονα. Το βέλος στην εικόνα δείχνει την περιοχή όπου μπορείτε να χρησιμοποιήσετε το πολύγωνο κλειδί.



**ΠΡΟΕΙΔΟΠΟΙΗΣΗ:** Κατά τη χαλάρωση και σύσφιξη του κόντρα παξιμαδιού, υπάρχει κίνδυνος τραυματισμού από τη λεπίδα. Να βεβαιώνετε πάντα ότι ο προφυλακτήρας της λεπίδας προστατεύει το χέρι σας από τυχόν τραυματισμό όταν το κάνετε αυτό.

**Περιεχόμενα** Βεβαιωθείτε ότι δεν μπορείτε να περιστρέψετε το ασφαλιστικό παξιμάδι με το χέρι. Αντικαταστήστε το παξιμάδι, εάν η νάιλον επένδυση δεν έχει αντοχή τουλάχιστον 1,5 Nm. Το κόντρα παξιμάδι πρέπει να αντικαθίσταται αφού τοποθετηθεί περίπου 10 φορές.

## Εξοπλισμός κοπής

Επιλέξτε και συντηρήστε τον εξοπλισμό κοπής ώστε:

- Να επιτυγχάνετε τη μέγιστη απόδοση κοπής.
- Να αυξήσετε τη διάρκεια ζωής του εξοπλισμού.
- Να ακολουθείτε τις οδηγίες ελέγχου, συντήρησης και επισκευής για την εξάτμιση (σιγαστήρα).
- Να χρησιμοποιείτε πάντα τον προφυλακτήρα που συνιστάται για τον εξοπλισμό κοπής. Βλ. "Τεχνικά στοιχεία".



**ΠΡΟΕΙΔΟΠΟΙΗΣΗ:** Χρησιμοποιείτε μόνο παρελκόμενα κοπής με τα προστατευτικά που συνιστούμε! Δείτε το κεφάλαιο για τα Τεχνικά στοιχεία. Ανατρέξτε στις οδηγίες χρήσης για το παρελκόμενο κοπής για να ελέγξετε τον σωστό τρόπο φόρτωσης της μενιέρας χορτοκοπτικού και τη σωστή διάμετρό της.



**ΠΡΟΕΙΔΟΠΟΙΗΣΗ:** Τα ελαττωματικά παρελκόμενα κοπής μπορεί να αυξήσουν τον κίνδυνο ατυχημάτων.



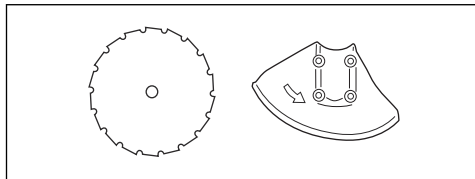
**ΠΡΟΕΙΔΟΠΟΙΗΣΗ:** Σταματάτε πάντα τον κινητήρα πριν κάνετε οποιαδήποτε εργασία στο παρελκόμενο



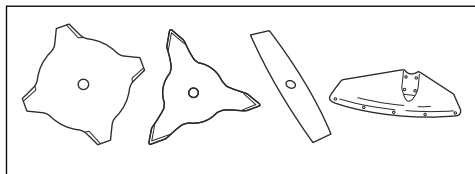
κοπής. Το παρελκόμενο κοπής συνεχίζει να περιστρέφεται ακόμη και αφού αφήσετε το γκάτζι. Προτού ξεκινήσετε την εργασία, βεβαιωθείτε ότι το παρελκόμενο κοπής έχει σταματήσει εντελώς και αποσυνδέστε το κατάκι του μπουζί.

### Εξοπλισμός κοπής

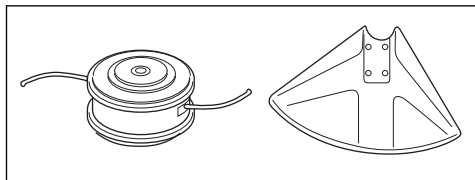
- Να χρησιμοποιείτε την πριονωτή λεπίδα για την κοπή ινωδών τύπων ξύλου.



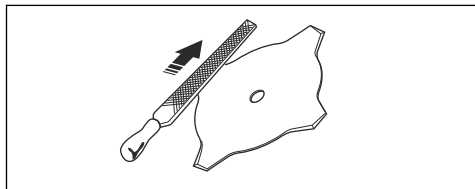
- Να χρησιμοποιείτε τις λεπίδες και τα μαχαίρια χόρτου για την κοπή πυκνών χόρτων.



- Χρησιμοποιήστε την κεφαλή χορτοκοπτικού για την κοπή γρασιδιού.



- Μια ακατάλληλα ακονισμένη λεπίδα ή μια κατεστραμμένη λεπίδα αυξάνει τον κίνδυνο ατυχημάτων. Διατηρείτε τα δόντια της λεπίδας σωστά ακονισμένα. Ακολουθήστε τις οδηγίες στην ενότητα *Ακόνισμα κοπτικών εργαλείων και λεπίδων χόρτου στη σελίδα 706* και χρησιμοποιήστε τον συνιστώμενο οδηγό ακονίσματος.

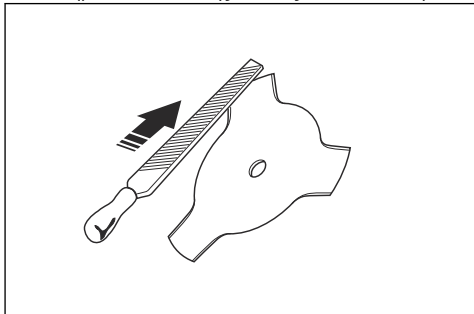


- Ελέγξτε το παρελκόμενο κοπής για ζημιές και ρωγμές. Αντικαταστήστε το παρελκόμενο κοπής, εάν έχει υποστεί ζημιά.

- Να χρησιμοποιείτε μόνο παρελκόμενα κοπής με τα συνιστώμενα προστατευτικά. Ανατρέξτε στην ενότητα *Τεχνικά στοιχεία στη σελίδα 722*.

### Λεπίδες

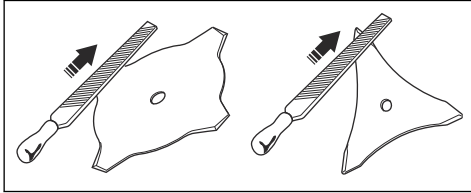
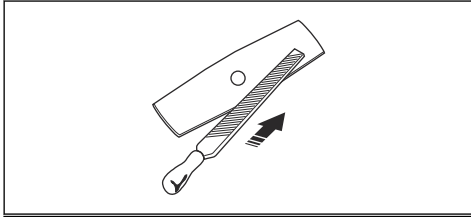
- Χρησιμοποιείτε το προϊόν με μια εγκεκριμένη λεπίδα. Μην χρησιμοποιείτε τη λεπίδα χωρίς να έχετε τοποθετήσει σωστά όλα τα απαιτούμενα εξαρτήματα. Βεβαιωθείτε ότι η τοποθέτηση έχει γίνει σωστά και ότι χρησιμοποιούνται τα σωστά εξαρτήματα. Η λανθασμένη τοποθέτηση μπορεί να προκαλέσει εκτίναξη της λεπίδας και σοβαρό τραυματισμό στον χειριστή ή σε παριστάμενα άτομα.
- Φοράτε προστατευτικά γάντια όταν χειρίζεστε τη λεπίδα ή όταν πραγματοποιείτε εργασίες συντήρησης.
- Χρησιμοποιείτε μέσα προστασίας της κεφαλής όταν χειρίζεστε ένα προϊόν με λεπίδα.
- Η λεπίδα μπορεί να προκαλέσει τραυματισμό, όταν συνεχίζει να περιστρέφεται μετά το σβήσιμο του κινητήρα ή όταν απελευθερώνεται η σκανδάλη του γκαζιού. Βεβαιωθείτε ότι η λεπίδα έχει σταματήσει εντελώς να περιστρέφεται προτού πραγματοποιήσετε εργασίες συντήρησης.
- Σβήνετε τον κινητήρα προτού κάνετε οποιαδήποτε εργασία στο παρελκόμενο κοπής. Βεβαιωθείτε ότι το παρελκόμενο κοπής έχει σταματήσει εντελώς. Αποσυνδέστε το καλώδιο από το μπουζί.
- Διατηρείτε τα δόντια της λεπίδας σωστά ακονισμένα.



- Μην χρησιμοποιείτε παρελκόμενα κοπής που παρουσιάζουν ζημιά.
- Κατά τη μεταφορά ή την αποθήκευση του προϊόντος, πρέπει να τοποθετείτε το προστατευτικό μεταφοράς στη λεπίδα.

## Ακόνισμα κοπτικών εργαλείων και λεπίδων χόρτου

- Ακονίστε ισοδύναμα όλες τις άκρες των κοπτικών εργαλείων και των λεπίδων, ώστε να διατηρηθεί η ισορροπία. Χρησιμοποιήστε μονοκόμματη πλακέ λιμα.



## Για το ακόνισμα της πριονωτής λεπίδας

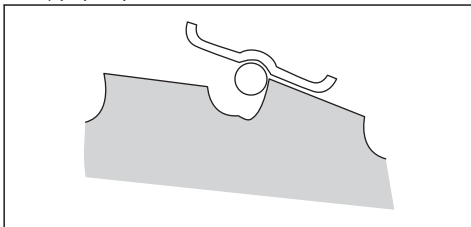


**ΠΡΟΕΙΔΟΠΟΙΗΣΗ:** Διακόψτε τη λειτουργία του κινητήρα. Χρησιμοποιείτε προστατευτικά γάντια.

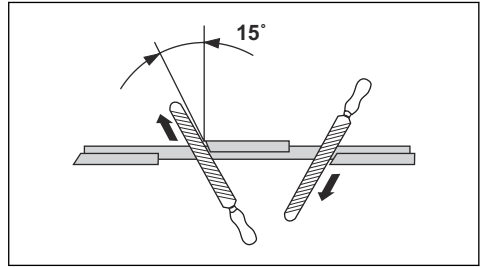
- Για να ακονίσετε τη λεπίδα σωστά, ανατρέξτε στις οδηγίες που συνοδεύουν τη λεπίδα.
- Βεβαιωθείτε ότι το προϊόν και η λεπίδα στηρίζονται επαρκώς κατά το ακόνισμα.



- Χρησιμοποιήστε μια στρογγυλή λιμα 5,5 mm (7/32 in) με βάση.

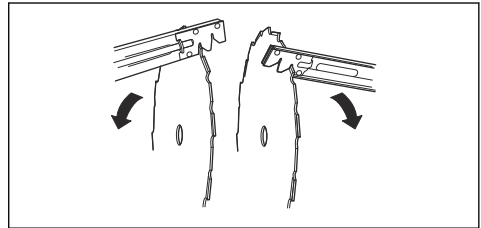


- Κρατήστε τη λιμα σε γωνία 15°.
- Ακονίστε ένα δόντι της πριονωτής λεπίδας προς τα δεξιά και το επόμενο δόντι προς τα αριστερά, βλ. εικόνα.



**Περιεχόμενα** Ακονίστε τα άκρα των δοντιών με μια πλακέ λιμα, αν η λεπίδα είναι φθαρμένη σε μεγάλο βαθμό. Συνεχίστε να ακονίζετε με μια στρογγυλή λιμα.

- Ακονίστε ομοιόμορφα όλα τα άκρα, για ισορροπημένη λεπίδα.
- Ρυθμίστε τη λεπίδα σε 1 mm (0,04 in) με το συνιστώμενο εργαλείο ρύθμισης. Ανατρέξτε στις οδηγίες που συνοδεύουν τη λεπίδα.

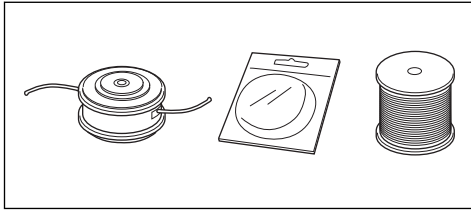


**ΠΡΟΕΙΔΟΠΟΙΗΣΗ:** Απορρίψτε πάντα τις κατεστραμμένες λεπίδες. Μην προσπαθήσετε να ισιώσετε μια λεπίδα που έχει στραβώσει ή συστραφεί και μην την χρησιμοποιήσετε ξανά.

## Κεφαλή χορτοκοπτικού



**ΠΡΟΕΙΔΟΠΟΙΗΣΗ:** Διασφαλίστε πάντα ότι η μεσινέζα του χορτοκοπτικού είναι τυλιγμένη σφικτά και ομοιόμορφα γύρω από την καμπάνα για την αποφυγή επιβλαβών κραδασμών.



- Χρησιμοποιείτε μόνο τις συνιστώμενες κεφαλές και μεσινέζες για το χορτοκοπτικό.
- Χρησιμοποιείτε μόνο τα συνιστώμενα παρελκόμενα κοπής.
- Τα μικρότερα μηχανήματα απαιτούν μικρές κεφαλές χορτοκοπτικού και αντιστρόφως.
- Το μήκος της μεσινέζας χορτοκοπτικού είναι σημαντικό. Μια μεγαλύτερη μεσινέζα χορτοκοπτικού απαιτεί μεγαλύτερη ισχύ κινητήρα σε σχέση με μια μικρότερη της ίδιας διαμέτρου.
- Βεβαιωθείτε ότι το κοπτικό εργαλείο στον προφυλακτήρα του χορτοκοπτικού είναι άθικτο. Αυτό κόβει τη μεσινέζα χορτοκοπτικού στο σωστό μήκος.
- Εμποτίστε τη μεσινέζα του χορτοκοπτικού με νερό για μερικές ημέρες προτού το χρησιμοποιήσετε, ώστε να αυξηθεί η διάρκεια ζωής.

## Ασφάλεια καυσίμου

- Μην θέτετε το προϊόν σε λειτουργία, εάν υπάρχει καύσιμη λάδι κινητήρα στο προϊόν. Αφαιρέστε το ανεπιθύμητο καύσιμο/λάδι και αφήστε το προϊόν να στεγνώσει. Αφαιρέστε το ανεπιθύμητο καύσιμο από το προϊόν.
- Εάν χύσετε καύσιμο στα ρούχα σας, αλλάξτε τα αμέσως.
- Μην χύσετε καύσιμο στο σώμα σας, καθώς μπορεί να προκληθεί τραυματισμός. Εάν χύσετε καύσιμο στο σώμα σας, χρησιμοποιήστε σαπουνόνερο για να αφαιρέσετε το καύσιμο.
- Μην βάλτε μπροστά τον κινητήρα εάν χύσετε λάδι ή καύσιμο στο προϊόν ή στο σώμα σας.
- Μην θέσετε το προϊόν σε λειτουργία, εάν ο κινητήρας έχει διαρροή. Εξετάζετε τακτικά τον κινητήρα για διαρροές.
- Να είστε προσεκτικοί με το καύσιμο. Το καύσιμο είναι εύφλεκτο και οι αναθυμιάσεις είναι εκρηκτικές και μπορούν να προκαλέσουν τραυματισμό ή θάνατο.
- Μην εισπνεύσετε τις αναθυμιάσεις καυσίμου, καθώς μπορεί να προκληθεί τραυματισμός. Βεβαιωθείτε ότι υπάρχει επαρκής ροή αέρα.

- Μην καπνίζετε κοντά στο καύσιμο ή τον κινητήρα.
- Μην τοποθετείτε ζεστά αντικείμενα κοντά στο καύσιμο ή τον κινητήρα.
- Μην προσθέτετε καύσιμο όταν λειτουργεί ο κινητήρας.
- Βεβαιωθείτε ότι ο κινητήρας έχει κρυώσει πριν από τον ανεφοδιασμό.
- Πριν από τον ανεφοδιασμό, ανοίξτε αργά την τάπα του ντεπόζιτου καυσίμου και εκτονώστε προσεκτικά την πίεση.
- Μην προσθέτετε καύσιμο στον κινητήρα σε εσωτερικό χώρο. Η ανεπαρκής ροή αέρα μπορεί να προκαλέσει τραυματισμό ή θάνατο λόγω ασφυξίας ή μονοξειδίου του άνθρακα.
- Σφίξτε προσεκτικά την τάπα του ντεπόζιτου καυσίμου, διαφορετικά μπορεί να προκληθεί πυρκαγιά.
- Πριν από την εκκίνηση, μετακινήστε το προϊόν σε απόσταση τουλάχιστον 3 m (10 ft) από το σημείο όπου γεμίσατε το ντεπόζιτο.
- Μην προσθέτετε υπερβολική ποσότητα καυσίμου στο ντεπόζιτο καυσίμου.
- Βεβαιωθείτε ότι δεν μπορεί να προκληθεί διαρροή όταν μετακινείτε το προϊόν ή το δοχείο καυσίμου.
- Χρησιμοποιήστε μόνο εγκεκριμένα δοχεία όταν υπάρχουν ακάλυπτες φλόγες, σπινθήρες ή φλόγιστρα. Βεβαιωθείτε ότι στην περιοχή αποθήκευσης δεν υπάρχουν ακάλυπτες φλόγες.
- Χρησιμοποιήστε μόνο εγκεκριμένα δοχεία όταν μετακινείτε το καύσιμο ή προσθέτετε το καύσιμο στην περιοχή αποθήκευσης.
- Αδειάζετε το ντεπόζιτο καυσίμου πριν από μακροχρόνια αποθήκευση. Τηρείτε την τοπική νομοθεσία σχετικά με την περιοχή απόρριψης καυσίμων.
- Καθαρίζετε το προϊόν πριν από μακροχρόνια αποθήκευση.
- Αφαιρέστε το καλώδιο του μπουζί πριν να τοποθετήσετε το προϊόν στην περιοχή αποθήκευσης, για να βεβαιωθείτε ότι ο κινητήρας δεν θα εκκινήσει ακούσια.

## Οδηγίες ασφαλείας για τη συντήρηση

- Εάν δεν μπορείτε να ρυθμίσετε τις στροφές ανά λεπτό ρελαντί για να σταματήσει το παρελκόμενο κοπής, απευθυνθείτε στο κέντρο σέρβις. Μην χρησιμοποιείτε το προϊόν μέχρι να ρυθμιστεί σωστά ή να επισκευαστεί.

## Συναρμολόγηση



**ΠΡΟΕΙΔΟΠΟΙΗΣΗ:** Διαβάστε το κεφάλαιο που αφορά την ασφάλεια πριν από τη συναρμολόγηση του προϊόντος.



## Εισαγωγή

**ΠΡΟΕΙΔΟΠΟΙΗΣΗ:** Προτού συναρμολογήσετε το προϊόν, πρέπει να

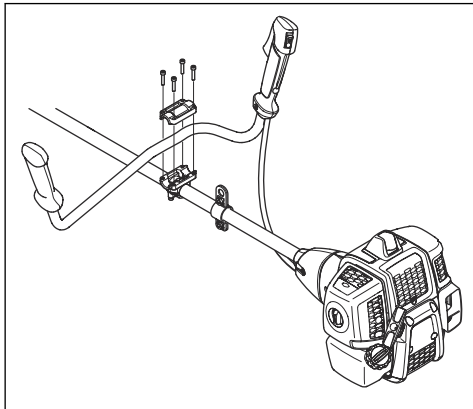
διαβάστε και να κατανοήσετε το κεφάλαιο για την ασφάλεια.



**ΠΡΟΕΙΔΟΠΟΙΗΣΗ:** Αφαιρέστε το καλώδιο του μπουζί από το μπουζί πριν τη συναρμολόγηση του προϊόντος.

## Για να τοποθετήσετε τη χειρολαβή

1. Προσαρτήστε τη χειρολαβή στο μπράτσο προσαρμογής όπως φαίνεται στην εικόνα.



## Για να τοποθετήσετε λεπίδες και κεφαλές χορτοκοπτικού



**ΠΡΟΕΙΔΟΠΟΙΗΣΗ:** Να χρησιμοποιείτε μόνο τον εγκεκριμένο προφυλακτήρα για τις λεπίδες. Ανατρέξτε στην ενότητα *Τεχνικά στοιχεία στη σελίδα 722*. Ένας ελαττωματικός προφυλακτήρας μπορεί να προκαλέσει τραυματισμό.



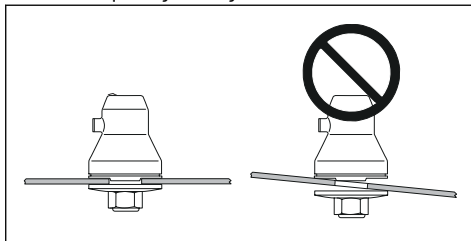
**ΠΡΟΕΙΔΟΠΟΙΗΣΗ:** Αν χρησιμοποιείτε το προϊόν με λεπίδα χόρτου, τοποθετήστε πρώτα τη σωστή χειρολαβή, τον προφυλακτήρα λεπίδας και την εξάρτηση.



**ΠΡΟΕΙΔΟΠΟΙΗΣΗ:** Αν δεν τοποθετήσετε τις λεπίδες σωστά, μπορεί να προκληθεί τραυματισμός.

1. Βεβαιωθείτε ότι το ανυψωμένο τμήμα του δίσκου μετάδοσης/της φλάντζας στήριξης εφαρμόζει σωστά στην κεντρική οπή των λεπίδων.

2. Τοποθετήστε τις λεπίδες.



## Τοποθέτηση προφυλακτήρα λεπίδας, λεπίδας χόρτου και κοπτικού εργαλείου χόρτου

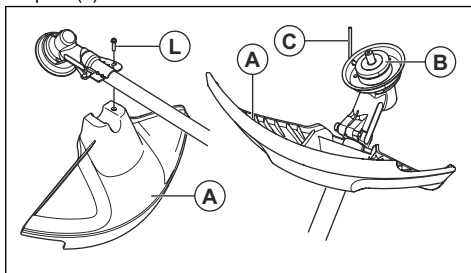


**ΠΡΟΣΟΧΗ:** Να χρησιμοποιείτε μόνο τον εγκεκριμένο προφυλακτήρα για τις λεπίδες. Ανατρέξτε στο εγχειρίδιο χρήσης.



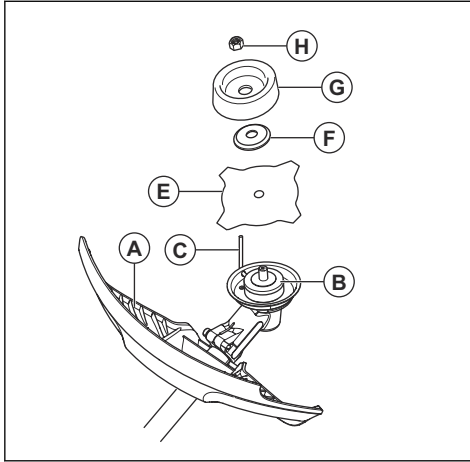
**ΠΡΟΣΟΧΗ:** Βεβαιωθείτε ότι η επέκταση προφυλακτήρα έχει αφαιρεθεί.

1. Στερεώστε τον προφυλακτήρα λεπίδας/ παρελκόμενου κοπής (A) στον άξονα και σφίξτε με τη βίδα (L).



2. Τοποθετήστε το δίσκο μετάδοσης (B) στον άξονα εξαγωγής.
3. Περιστρέψτε τον άξονα εξαγωγής μέχρι μία από τις οπές του δίσκου μετάδοσης να ευθυγραμμιστεί με τη σχετική οπή στο περίβλημα γραναζιών.
4. Τοποθετήστε τον πείρο ασφάλισης (C) στην οπή για να ασφαλίσετε τον άξονα.
5. Τοποθετήστε τη λεπίδα (E), τη φλάντζα στήριξης (F) και το δοχείο στήριξης (G) στον κινητήριο άξονα.

6. Τοποθετήστε το παξιμάδι (H). Κρατήστε τον άξονα του κλειδιού όσο το δυνατόν πιο κοντά στον προφυλακτήρα της λεπίδας. Για να σφίξετε το παξιμάδι, πρέπει να γυρίσετε το κλειδί αντίθετα από την κατεύθυνση περιστροφής. Σφίξτε το παξιμάδι με ροπή 35-50 Nm (3,5-5 κρμ).



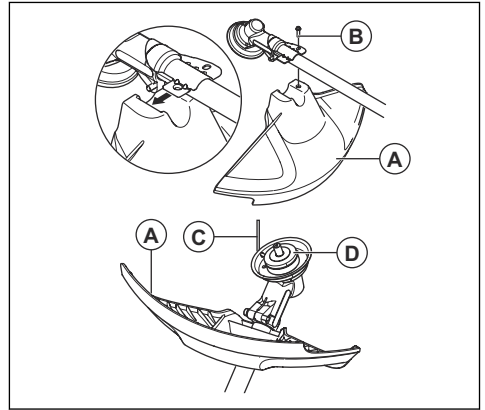
### Περιεχόμενα Αριστερόστροφο σπείρωμα.

### Για τη στερέωση του προφυλακτήρα και την κεφαλή χορτοκοπτικού

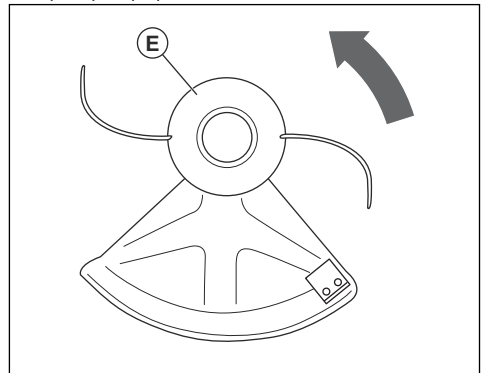
**Περιεχόμενα** Φροντίστε να χρησιμοποιήσετε τον σωστό προφυλακτήρα χορτοκοπτικού για τη σωστή κεφαλή χορτοκοπτικού.

1. Τοποθετήστε τον σωστό προφυλακτήρα χορτοκοπτικού/συνδυασμένο προφυλακτήρα (A) για την κεφαλή του χορτοκοπτικού.

2. Τοποθετήστε τον προφυλακτήρα χορτοκοπτικού/συνδυασμένο προφυλακτήρα γύρω από τον άξονα και σφίξτε τον με το μπουλόνι (B). Χρησιμοποιήστε τον πείρο ασφάλισης ή το εξαγωνικό κλειδί (C).



3. Τοποθετήστε τον πείρο ασφάλισης ή το εξαγωνικό κλειδί (C) στην εγκοπή στην κεφαλή της βίδας και σφίξτε τον.
4. Στερεώστε τον δίσκο μετάδοσης (D) στον κινητήριο άξονα.
5. Περιστρέψτε τον κινητήριο άξονα εξαγωγής μέχρι να ευθυγραμμιστεί μία από τις οπές του δίσκου μετάδοσης με την αντίστοιχη οπή στο περίβλημα γραναζιών.
6. Τοποθετήστε τον πείρο ασφάλισης ή το εξαγωνικό κλειδί (C) στην οπή για να ασφαλίσετε τον άξονα.
7. Συναρμολογήστε την κεφαλή χορτοκοπτικού/τις πλαστικές λεπίδες (E). Γυρίστε την κεφαλή χορτοκοπτικού/τις πλαστικές λεπίδες αριστερόστροφα.



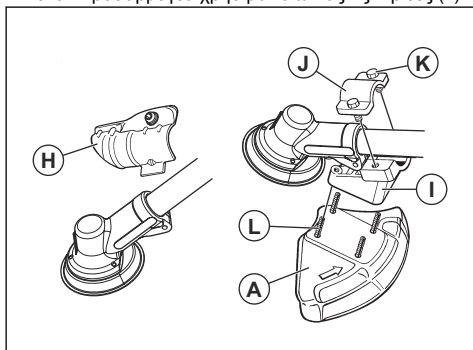
8. Για την αποσυναρμολόγηση, ακολουθήστε τις παραπάνω οδηγίες με την αντίστροφη σειρά.

## Για την εγκατάσταση ενός προφυλακτήρα λεπίδας και μιας πριονωτής λεπίδας



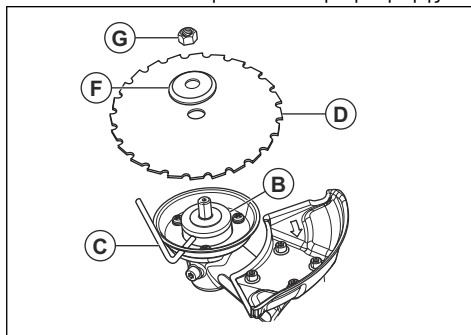
**ΠΡΟΣΟΧΗ:** Να χρησιμοποιείτε μόνο τον εγκεκριμένο προφυλακτήρα για τις λεπίδες. Ανατρέξτε στην ενότητα *Τεχνικά στοιχεία στη σελίδα 722*.

1. Αφαιρέστε την πλάκα στερέωσης (H).
2. Τοποθετήστε τον προσαρμογέα (I) και το μπράτσο (J) με τις δύο βίδες (K).
3. Τοποθετήστε τον προφυλακτήρα της λεπίδας (A) στον προσαρμογέα χρησιμοποιώντας τις 4 βίδες (L).



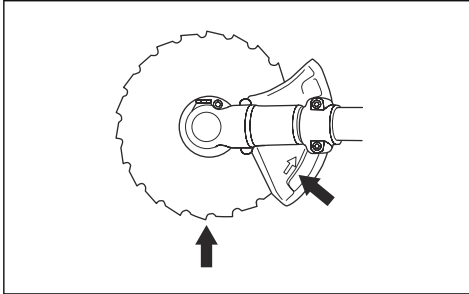
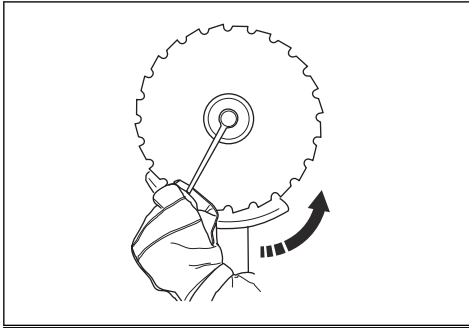
4. Τοποθετήστε το δίσκο μετάδοσης (B) στον άξονα εξαγωγής.
5. Περιστρέψτε τον άξονα λεπίδας μέχρι μία από τις οπές του δίσκου μετάδοσης να ευθυγραμμιστεί με την αντίστοιχη οπή στο περίβλημα γραναζιών.
6. Περάστε τον πείρο ασφάλισης (C) στην οπή για να ασφαλίσετε τον άξονα.
7. Τοποθετήστε τη λεπίδα (D) και τη φλάντζα στήριξης (F) στον κινητήριο άξονα.

8. Τοποθετήστε το παξιμάδι (G). Πρέπει να σφίξετε το παξιμάδι με ροπή 35-50 Nm (3,5-5κρm). Χρησιμοποιήστε το πολύγωνο κλειδί που βρίσκεται στο κουτί εργαλείων. Κρατήστε τον άξονα του κλειδιού όσο πιο κοντά γίνεται στον προφυλακτήρα λεπίδας. Για να σφίξετε το παξιμάδι, περιστρέψτε το κλειδί αντίθετα από την κατεύθυνση περιστροφής.



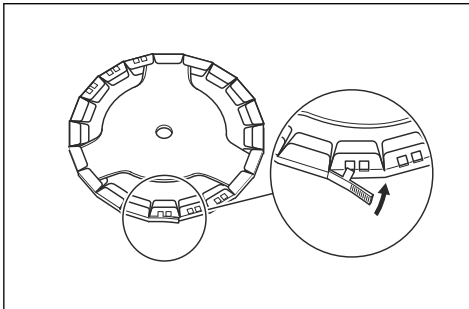
**Περιεχόμενα** Αριστερόστροφο σπείρωμα.

9. Κατά τη χαλάρωση και σύσφιξη του παξιμαδιού της πριονωτής λεπίδας, υπάρχει κίνδυνος τραυματισμού από τα δόντια της πριονωτής λεπίδας. Επομένως, να φροντίζετε πάντα να προστατεύετε τα χέρια σας με τον προφυλακτήρα λεπίδας. Χρησιμοποιείτε πάντα ένα πολύγωνο κλειδί με άξονα που είναι αρκετά μεγάλος ώστε να το επιτρέπει. Το βέλος στο διάγραμμα υποδεικνύει την περιοχή όπου θα πρέπει να χρησιμοποιήσετε το πολύγωνο κλειδί κατά τη χαλάρωση ή τη σύσφιξη.



### Για τη στερέωση του προστατευτικού μεταφοράς

1. Στερεώστε το προστατευτικό μεταφοράς στη λεπίδα, όπως φαίνεται στην εικόνα.



### Για να ρυθμίσετε την εξάρτηση

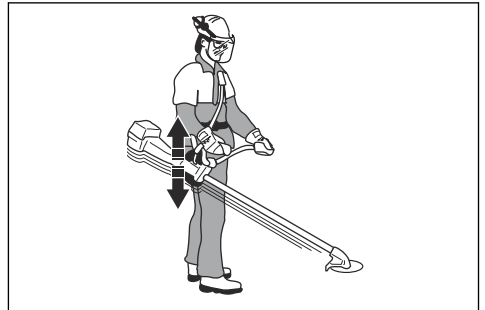


**ΠΡΟΕΙΔΟΠΟΙΗΣΗ:** Το προϊόν πρέπει πάντα να είναι σωστά προσαρτημένο στην εξάρτηση. Αν δεν γίνει αυτό, δεν θα μπορείτε να ελέγξετε το προϊόν με ασφάλεια, οπότε μπορεί να προκληθεί τραυματισμός σε εσάς ή άλλα άτομα. Μην χρησιμοποιείτε ελαττωματική εξάρτηση. Μην χρησιμοποιείτε εξάρτηση με ελαττωματική διάταξη γρήγορης απασφάλισης.

1. Φορέστε την εξάρτηση.
2. Συνδέστε το προϊόν στην εξάρτηση.
3. Ρυθμίστε την εξάρτηση για να επιτύχετε την καλύτερη θέση εργασίας.
4. Ρυθμίστε τους πλευρικούς ιμάντες, ώστε το βάρος του προϊόντος να κατανέμεται ομοιόμορφα στους ώμους σας.



5. Ρυθμίστε την εξάρτηση μέχρι παρελκόμενο κοπής να γίνει παράλληλο προς το έδαφος.



6. Αφήστε το παρελκόμενο κοπής να ακουμπήσει ελαφρώς στο έδαφος. Προσαρμόστε τον σφιγκτήρα της εξάρτησης για να ισορροπήσετε σωστά το προϊόν.

**Περιεχόμενα** Εάν χρησιμοποιείτε λεπίδα χόρτου, θα πρέπει να ισορροπεί περίπου 10 cm /4 in πάνω από το έδαφος.

# Λειτουργία



**ΠΡΟΕΙΔΟΠΟΙΗΣΗ:** Πρωτού χρησιμοποιήσετε το προϊόν, διαβάστε και κατανοήστε το κεφάλαιο για την ασφάλεια.

## Εισαγωγή



**ΠΡΟΕΙΔΟΠΟΙΗΣΗ:** Πρωτού χρησιμοποιήσετε το προϊόν, πρέπει να διαβάσετε και να κατανοήσετε το κεφάλαιο για την ασφάλεια.

## Καύσιμο

Αυτό το προϊόν διαθέτει δίχρονο κινητήρα.



**ΠΡΟΣΟΧΗ:** Τα καύσιμα εσφαλμένου τύπου μπορεί να προκαλέσουν ζημιά στον κινητήρα. Χρησιμοποιήστε μείγμα βενζίνης και λαδιού για δίχρονους κινητήρες.

## Προαναμεμιγμένο καύσιμο

- Για βέλτιστη απόδοση και παράταση της διάρκειας ζωής του κινητήρα, χρησιμοποιήστε προαναμεμιγμένο αλκυλιωμένο καύσιμο της McCulloch. Αυτό το καύσιμο περιέχει λιγότερα επιβλαβή χημικά σε σύγκριση με τα κανονικά καύσιμα, με αποτέλεσμα να μειώνονται οι επιβλαβείς αναθυμιάσεις της εξάτμισης. Η ποσότητα των καταλοίπων της καύσης είναι χαμηλότερη με αυτό το καύσιμο, το οποίο προστατεύει τα εξαρτήματα του κινητήρα και τα διατηρεί πιο καθαρά.

## Ανάμιξη του καυσίμου

### Βενζίνη

- Χρησιμοποιήστε αμόλυβδη βενζίνη καλής ποιότητας με μέγιστο ποσοστό αιθανόλης 10%.



**ΠΡΟΣΟΧΗ:** Μην χρησιμοποιείτε βενζίνη με αριθμό οκτανίων κάτω από 90 RON/87 AKI. Η χρήση βενζίνης χαμηλότερου αριθμού οκτανίων μπορεί να προκαλέσει κτύπο ("πειράκια") και ζημιά στον κινητήρα.

### Λάδι για δίχρονους κινητήρες

- Για καλύτερα αποτελέσματα και υψηλότερη απόδοση, χρησιμοποιήστε λάδι McCulloch για δίχρονους κινητήρες.
- Εάν το λάδι για δίχρονους κινητήρες της McCulloch δεν είναι διαθέσιμο, χρησιμοποιήστε διαφορετικό λάδι καλής ποιότητας για αερόψυκτους κινητήρες.

Για την επιλογή του σωστού λαδιού, απευθυνθείτε στον αντιπρόσωπο σέρβις.



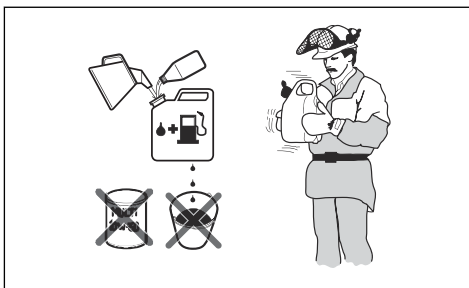
**ΠΡΟΣΟΧΗ:** Μην χρησιμοποιείτε λάδι για δίχρονους υδρόψυκτους εξωλέμβιους κινητήρες, το οποίο αναφέρεται επίσης ως λάδι για εξωλέμβιες. Μην χρησιμοποιείτε λάδι για τετράχρονους κινητήρες.

Για να αναμίξετε βενζίνη και λάδι για δίχρονους κινητήρες

Βενζίνη, λίτρα	Λάδι για δίχρο- νους κινητή- ρες, λίτρα
	<b>2% (50:1)</b>
5	0,10
10	0,20
15	0,30
20	0,40
US gallon	US fl. oz.
1	2 ½
2 1/2	6 ½
5	12 ¾



**ΠΡΟΣΟΧΗ:** Μικρά λάθη μπορεί να επηρεάσουν δραστικά την αναλογία του μείγματος κατά τη ανάμιξη μικρών ποσοτήτων καυσίμου. Μετρήστε προσεκτικά την ποσότητα του λαδιού και βεβαιωθείτε ότι το μείγμα που προκύπτει είναι σωστό.



- Ρίξτε σε ένα καθαρό δοχείο για καύσιμα τη μισή ποσότητα της βενζίνης.
- Προσθέστε ολόκληρη την ποσότητα λαδιού.



3. Ανακινήστε το μίγμα καυσίμου.
4. Προσθέστε στο δοχείο την υπόλοιπη ποσότητα της βενζίνης.
5. Ανακινήστε προσεκτικά το μείγμα καυσίμου.



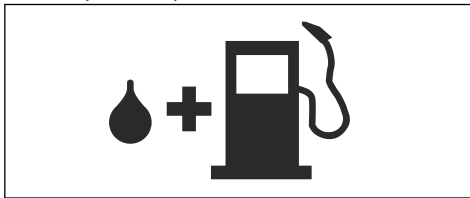
**ΠΡΟΣΟΧΗ:** Μην αναμιγνύετε καύσιμα για περισσότερο από 1 μήνα κάθε φορά.

## Γέμισμα ντεπόζιτου καυσίμου



**ΠΡΟΕΙΔΟΠΟΙΗΣΗ:** Ακολουθήστε την παρακάτω διαδικασία για την ασφάλειά σας.

1. Σταματήστε τον κινητήρα και αφήστε τον να κρυώσει.
2. Καθαρίστε την περιοχή γύρω από την τάπα του ντεπόζιτου καυσίμου.



3. Ανακινήστε το δοχείο και βεβαιωθείτε ότι το καύσιμο έχει αναμιχθεί πλήρως.
4. Αφαιρέστε αργά την τάπα του ντεπόζιτου καυσίμου για να εκτονώσετε την πίεση.
5. Γεμίστε το ντεπόζιτο καυσίμου.



**ΠΡΟΣΟΧΗ:** Βεβαιωθείτε ότι δεν υπάρχει υπερβολικό καύσιμο στο ντεπόζιτο καυσίμου. Το καύσιμο διογκώνεται όταν ζεσταίνεται.

6. Σφίξτε προσεκτικά την τάπα του ντεπόζιτου καυσίμου.
7. Καθαρίζετε το καύσιμο που έχει χυθεί επάνω και γύρω από το προϊόν.
8. Προτού ξεκινήσετε, απομακρύνετε το προϊόν τουλάχιστον κατά 3 m/10 ft από το σημείο ανεφοδιασμού και την πηγή καυσίμου προτού θέσετε σε λειτουργία τον κινητήρα.

**Περιεχόμενα** Για να δείτε πού βρίσκεται το ντεπόζιτο καυσίμου στο προϊόν σας, ανατρέξτε στην ενότητα *Επισκόπηση προϊόντος στη σελίδα 697*.

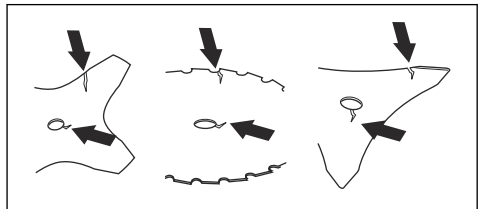
## Για εκκίνηση και σταμάτημα

### Πριν χρησιμοποιήσετε το προϊόν

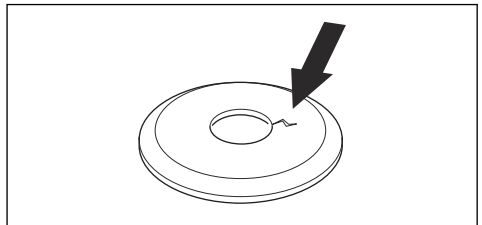
- Εξετάστε το χώρο εργασίας για να βεβαιωθείτε ότι γνωρίζετε τον τύπο του εδάφους, την κλίση του

εδάφους και αν υπάρχουν εμπόδια, όπως πέτρες, κλαδιά και χαντάκια.

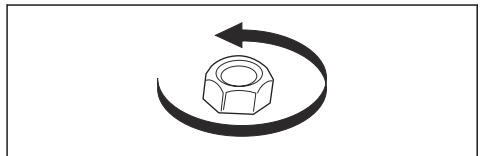
- Πραγματοποιήστε μια γενική επιθεώρηση του προϊόντος.
- Πραγματοποιήστε τους ελέγχους ασφαλείας, συντήρησης και σέρβις που δίνονται σε αυτό το εγχειρίδιο.
- Βεβαιωθείτε ότι όλα τα καλύμματα, οι προφυλακτήρες, οι λαβές και ο εξοπλισμός κοπής είναι σωστά προσαρτημένα και δεν έχουν υποστεί ζημιά.
- Βεβαιωθείτε ότι δεν υπάρχουν ρωγμές στο κάτω μέρος των δοντιών της πριονωτής λεπίδας ή της λεπίδας χόρτου ή στην κεντρική οπή της λεπίδας. Αντικαταστήστε τη λεπίδα, εάν έχει υποστεί ζημιά.



- Ελέγξτε τη φλάντζα στήριξης για ρωγμές. Αντικαταστήστε τη φλάντζα στήριξης, εάν έχει υποστεί ζημιά.

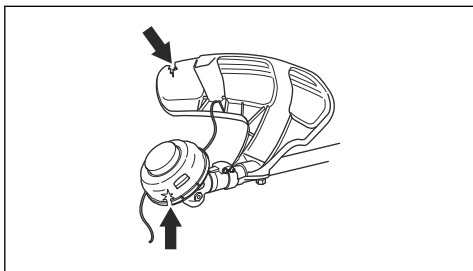


- Βεβαιωθείτε ότι το ασφαλιστικό παξιμάδι δεν μπορεί να αφαιρεθεί με το χέρι. Αν μπορείτε να το αφαιρέσετε με το χέρι, δεν ασφαρίζει επαρκώς το παρελκόμενο κοπής και πρέπει να αντικατασταθεί.



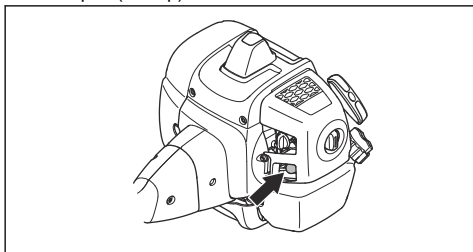
- Ελέγξτε τον προφυλακτήρα λεπίδας για ζημιές ή ρωγμές. Αντικαταστήστε τον προφυλακτήρα λεπίδας εάν έχει χτυπηθεί ή αν έχει ρωγμές.
- Ελέγξτε την κεφαλή χορτοκοπτικού και τον προφυλακτήρα εξαρτήματος κοπής για φθορές ή ρωγμές. Αντικαταστήστε την κεφαλή χορτοκοπτικού

και τον προφυλακτήρα εξαρτήματος κοπής εάν έχουν χτυπηθεί ή αν έχουν ρωγμές.

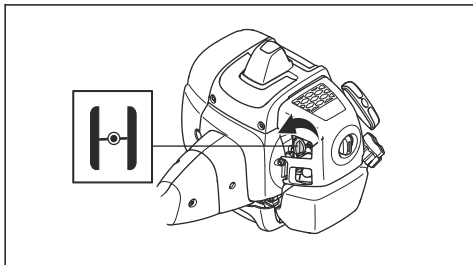


## Εκκίνηση του κινητήρα

1. Τοποθετήστε το προϊόν πάνω σε επίπεδη και σταθερή επιφάνεια. Μην αφήσετε το παρελκόμενο κοπής να έρθει σε επαφή με το έδαφος.
2. Πιέστε επανειλημμένα τη φούσκα της χειροκίνητης αντλίας καυσίμου (πουάρ), μέχρι η φούσκα να αρχίσει να γεμίζει με καύσιμο. Δεν χρειάζεται να γεμίσετε πλήρως τη φούσκα της χειροκίνητης αντλίας καυσίμου (πουάρ).

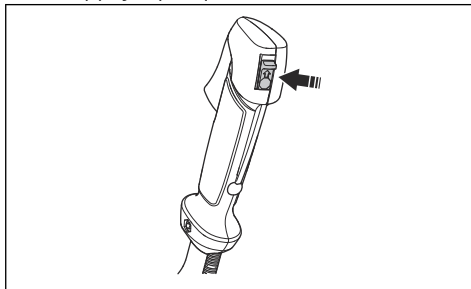


3. Μετακινήστε τον μοχλό του τσοκ στη θέση χρήσης του τσοκ.

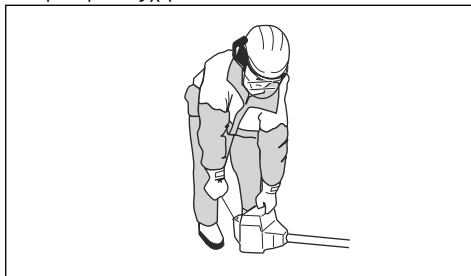


**ΠΡΟΕΙΔΟΠΟΙΗΣΗ:** Κατά την εκκίνηση του κινητήρα με το τσοκ, το παρελκόμενο κοπής ξεκινά αμέσως να περιστρέφεται.

4. Τοποθετήστε το διακόπτη εκκίνησης/διακοπής λειτουργίας στη θέση RUN.



5. Κρατήστε το σώμα του προϊόντος στο έδαφος με το αριστερό σας χέρι.



6. Πιάστε τη λαβή του κορδονιού εκκίνησης με το δεξιό σας χέρι.
7. Τραβήξτε αργά το κορδόνι εκκίνησης προς τα έξω με το δεξιό σας χέρι μέχρι να νιώσετε αντίσταση.



### ΠΡΟΕΙΔΟΠΟΙΗΣΗ:

Μην τυλίγετε ποτέ το σχοινί της τροχαλίας του συστήματος εκκίνησης γύρω από το χέρι σας.

8. Τραβήξτε το καλώδιο γρήγορα και με δύναμη. Τραβήξτε επανειλημμένα το σχοινί του συστήματος εκκίνησης, μέχρι να εκκινήσει ο κινητήρας.



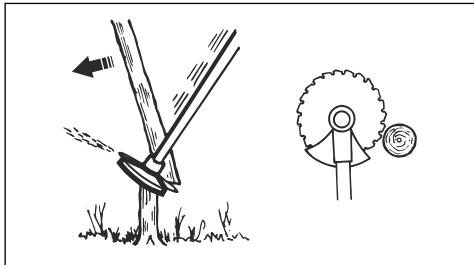
### ΠΡΟΣΟΧΗ:

Μην τραβάτε το κορδόνι εκκίνησης μέχρι τέρμα και μην αφήνετε τη λαβή του συστήματος εκκίνησης όταν το κορδόνι εκκίνησης είναι σε πλήρη έκταση. Μπορεί να προκληθεί ζημιά στο προϊόν.

9. Επαναφέρετε το τσοκ όταν ο κινητήρας εκκινήσει.
10. Ανοίξτε το γκάζι σταδιακά όταν ο κινητήρας τεθεί σε λειτουργία.
11. Βεβαιωθείτε ότι ο κινητήρας λειτουργεί ομαλά και αφήστε τον να ζεσταθεί για 1-2 λεπτά προτού χειριστείτε το μηχάνημα.



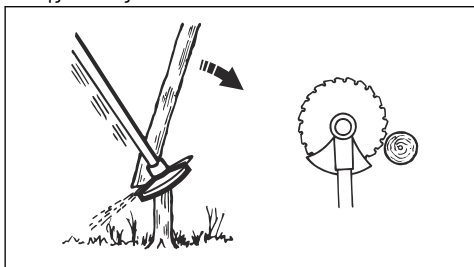
3. Γείρετε την πριονωτή λεπίδα και πιέστε την με δύναμη διαγώνια προς τα κάτω και προς τα δεξιά. Ταυτόχρονα, πιέστε το δέντρο με τον προφυλακτήρα της λεπίδας.



### Για την κοπή δέντρου προς τα δεξιά

Για να εκτελέσετε κοπή προς τα δεξιά, πιέστε το κάτω μέρος του δέντρου προς τα αριστερά.

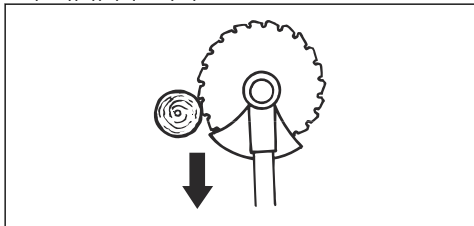
1. Ανοίξτε τέρμα το γκάτζι.
2. Τοποθετήστε την πριονωτή λεπίδα ώστε να ακουμπά στο δέντρο, όπως παρουσιάζεται στην εικόνα.
3. Γείρετε την πριονωτή λεπίδα και πιέστε την με δύναμη διαγώνια προς τα επάνω και προς τα δεξιά. Ταυτόχρονα, πιέστε το δέντρο με τον προφυλακτήρα της λεπίδας.



### Για την κοπή δέντρου προς τα μπροστά

Για να εκτελέσετε κοπή προς τα μπροστά, πιέστε το κάτω μέρος του δέντρου προς τα πίσω.

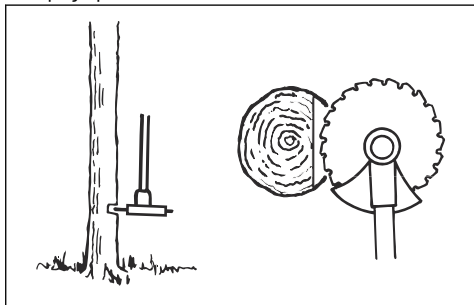
1. Ανοίξτε τέρμα το γκάτζι.
2. Τοποθετήστε την πριονωτή λεπίδα ώστε να ακουμπά στο δέντρο, όπως παρουσιάζεται στην εικόνα.
3. Τραβήξτε την πριονωτή λεπίδα προς τα μπροστά με μια γρήγορη κίνηση.



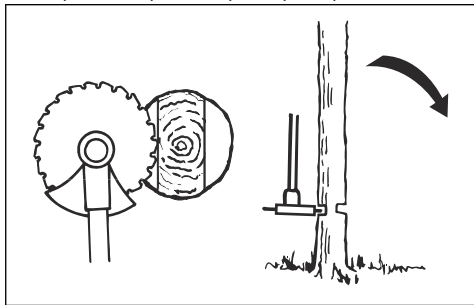
### Για την κοπή μεγάλων δέντρων

Τα μεγάλα δέντρα πρέπει να κόβονται από 2 πλευρές.

1. Εξετάστε προς ποια κατεύθυνση θα πέσει το δέντρο.
2. Ανοίξτε τέρμα το γκάτζι.
3. Κάντε την πρώτη κοπή στην πλευρά του δέντρου προς την οποία θα πέσει.



4. Κόψτε το δέντρο από την άλλη πλευρά.



**ΠΡΟΣΟΧΗ:** Αν η πριονωτή λεπίδα μπλοκάρει, μην τραβήξετε το προϊόν με απότομη κίνηση. Αυτό μπορεί να προκαλέσει ζημιά στην πριονωτή λεπίδα, στη γωνιακή κίνηση, στον άξονα ή στη χειρολαβή. Απελευθερώστε τις λαβές, κρατήστε τον άξονα με τα 2 χέρια και τραβήξτε προσεκτικά το προϊόν.

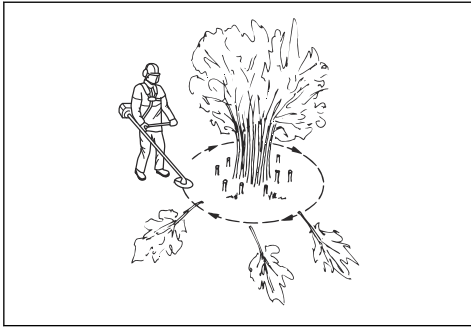
**Περιεχόμενα** Χρησιμοποιήστε μεγαλύτερη πίεση κοπής για την κοπή μικρών δέντρων. Χρησιμοποιήστε μικρότερη πίεση κοπής για την κοπή μεγάλων δέντρων.

### Κοπή θάμνων με πριονωτή λεπίδα

Για να εκτελέσετε κοπή προς τα αριστερά, πιέστε το κάτω μέρος του δέντρου προς τα δεξιά.

- Κόψτε τα λεπτά δέντρα και τους θάμνους.
- Μετακινήστε το προϊόν από τη μια πλευρά στην άλλη.
- Κόψτε πολλά δέντρα με μία κίνηση.

- Για ομάδες λεππών δέντρων:



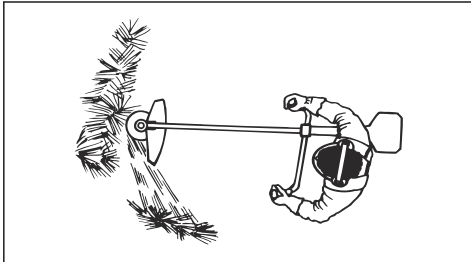
- Κόψτε τα εξωτερικά δέντρα σε υψηλό σημείο.
- Κόψτε τα εξωτερικά δέντρα στο σωστό ύψος.
- Κόψτε από το κέντρο. Αν δεν μπορείτε να έχετε πρόσβαση στο κέντρο, κόψτε τα εξωτερικά δέντρα σε υψηλό σημείο και αφήστε τα να πέσουν. Έτσι μειώνεται ο κίνδυνος μπλοκαρίσματος της πρινωτής λεπίδας.

## Καθαρισμός χόρτων με λεπίδα χόρτου



**ΠΡΟΣΟΧΗ:** Μην χρησιμοποιείτε λεπίδες χόρτου και μαχαίρια χόρτου σε ξύλο. Χρησιμοποιείτε λεπίδες χόρτου και μαχαίρια χόρτου μόνο για μακρύ ή βαρύ χόρτο.

- Μετακινήστε το προϊόν από τη μια πλευρά στην άλλη.
- Ξεκινήστε την κίνηση από τα δεξιά προς τα αριστερά όταν κόβετε. Μετακινήστε το προϊόν προς τα δεξιά προτού κόψετε ξανά.
- Εκτελέστε κοπή με την αριστερή πλευρά της λεπίδας χόρτου.



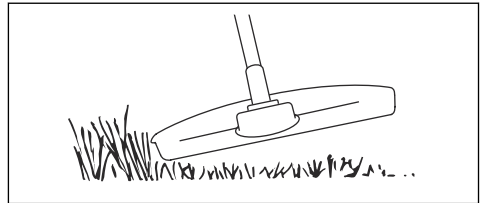
- Στρέψτε τη λεπίδα χόρτου προς τα αριστερά, ώστε το χόρτο να πέφτει σε γραμμή. Έτσι διευκολύνεται η συλλογή του χόρτου.
- Κρατήστε σταθερή θέση με τα πόδια σας ανοικτά.
- Μετακινήστε προς τα μπροστά μετά από κάθε δεξιά κίνηση και βεβαιωθείτε ότι έχετε ξανά σταθερή θέση προτού κόψετε και πάλι.
- Κρατήστε το δοχείο στήριξης με ελαφριά πίεση στο έδαφος, για να βεβαιωθείτε ότι η λεπίδα χόρτου δεν θα προσκρούσει στο έδαφος.

- Τηρείτε αυτές τις οδηγίες για να μειώσετε τον κίνδυνο το κομμένο υλικό να τυλιχτεί γύρω από τη λεπίδα χόρτου:
  - Ανοίξτε τέρμα το γκάτζι.
  - Μην μετακινείτε τη λεπίδα χόρτου μέσα από κομμένο υλικό όταν μετακινείτε το προϊόν από τα αριστερά προς τα δεξιά.
- Προτού συλλέξετε το κομμένο υλικό, σβήστε τον κινητήρα και αφαιρέστε το προϊόν από την εξάρτηση. Τοποθετήστε το προϊόν στο έδαφος.

## Κοπή χόρτου με κεφαλή χορτοκοπτικού

### Για ξάκρισμα του γρασιδιού

1. Κρατήστε την κεφαλή χορτοκοπτικού ακριβώς πάνω από το έδαφος, υπό γωνία. Μην πιέζετε τη μεσινέζα του χορτοκοπτικού στο γρασίδι.



2. Μειώστε το μήκος της μεσινέζας του χορτοκοπτικού κατά 10-12 cm/4-7,5 in.
3. Μειώστε τις στροφές του κινητήρα για να μειώσετε τον κίνδυνο πρόκλησης ζημιάς στα φυτά.
4. Όταν κόβετε γρασίδι κοντά σε αντικείμενα, πρέπει να ρυθμίσετε το γκάτζι στο 80%.



### Καθαρισμός του χόρτου

1. Διατηρήστε την κεφαλή του χορτοκοπτικού επάνω από το έδαφος.
2. Γείρετε την κεφαλή του χορτοκοπτικού.
3. Κόψτε με το άκρο της μεσινέζας χορτοκοπτικού γύρω από αντικείμενα στο χώρο εργασίας.

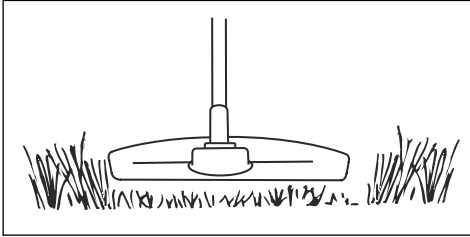


**ΠΡΟΣΟΧΗ:** Κόψτε χόρτο. Η φθορά της μεσινέζας χορτοκοπτικού αυξάνεται με το κύττημα άλλων αντικειμένων.

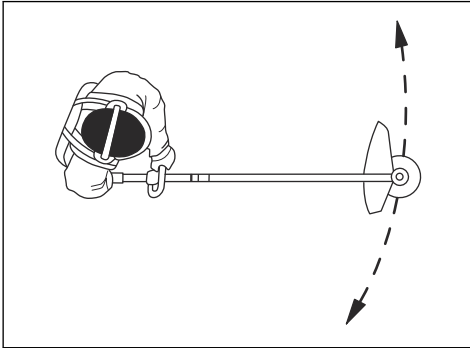
4. Χρησιμοποιήστε ταχύτητα 80% όταν κόβετε και καθαρίζετε βλάστηση. Αυτό μειώνει τη φθορά στην κεφαλή και τη μεσινέζα του χορτοκοπτικού.

## Κοπή γρασιδιού

1. Βεβαιωθείτε ότι η μεσινέζα χορτοκοπτικού είναι παράλληλη προς το έδαφος κατά τη διάρκεια της κοπής του γρασιδιού.



2. Μην πιέζετε την κεφαλή χορτοκοπτικού στο έδαφος. Μπορεί να προκληθεί ζημιά στο προϊόν.
3. Μετακινείτε το προϊόν από τη μία πλευρά στην άλλη όταν κόβετε γρασίδι. Χρησιμοποιήστε τη μέγιστη ταχύτητα.



## Για τον καθαρισμό του χόρτου

Η ροή αέρα από την περιστρεφόμενη μεσινέζα χορτοκοπτικού μπορεί να χρησιμοποιηθεί για να αφαιρείτε τα κομμένα χόρτα από μια περιοχή.

1. Κρατήστε την κεφαλή και τη μεσινέζα του χορτοκοπτικού παράλληλα και πάνω από το έδαφος.
2. Ανοίξτε τέρμα το γκάζι.
3. Μετακινήστε την κεφαλή του χορτοκοπτικού από τη μία πλευρά στην άλλη και καθαρίστε το χόρτο.



**ΠΡΟΕΙΔΟΠΟΙΗΣΗ:** Να καθαρίζετε το κάλυμμα της κεφαλής χορτοκοπτικού κάθε φορά που συναρμολογείτε τη νέα μεσινέζα χορτοκοπτικού, ώστε να αποφεύγετε τυχόν ανισορροπία και κραδασμούς στις λαβές. Επίσης, να ελέγχετε και τα άλλα τμήματα της κεφαλής χορτοκοπτικού και να την καθαρίζετε, εάν είναι απαραίτητο.

## Συντήρηση

### Εισαγωγή

διαβάστε και κατανοήστε το κεφάλαιο για την ασφάλεια.



**ΠΡΟΕΙΔΟΠΟΙΗΣΗ:** Πρωτού εκτελέσετε εργασίες συντήρησης στο προϊόν,

### Πρόγραμμα συντήρησης

Συντήρηση	Καθημερινά	Κάθε εβδομάδα	Κάθε μήνα
Καθαρίστε την εξωτερική επιφάνεια.	X		
Εξετάστε την εξάρτηση για ζημιές.	X		
Ελέγξτε την ασφάλεια της σκανδάλης γκαζιού και τη σκανδάλη. Ανατρέξτε στην ενότητα <i>Ελεγχος της ασφάλειας σκανδάλης γκαζιού στη σελίδα 702.</i>	X		
Ελέγξτε τη λαβή και τη χειρολαβή για ζημιές και βεβαιωθείτε ότι έχουν τοποθετηθεί σωστά.	X		

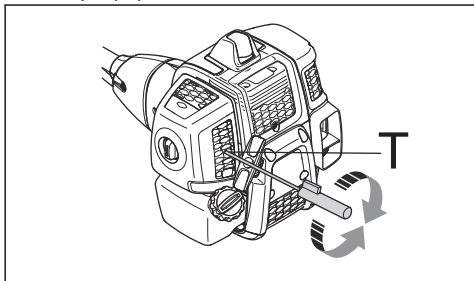
Συντήρηση	Καθημε- ρινά	Κάθε εβδομά- δα	Κάθε μή- να
Ελέγξτε τον διακόπτη τερματισμού λειτουργίας. Ανατρέξτε στην ενότητα <i>Για έλεγχο του διακόπτη τερματισμού λειτουργίας στη σελίδα 702.</i>	X		
Ελέγξτε ότι το εξάρτημα κοπής δεν περιστρέφεται όταν το μηχάνημα λειτουργεί σε στροφές ανά λεπτό ρελαντί.	X		
Καθαρίστε το φίλτρο αέρα. Αν υπάρχει ζημιά, αντικαταστήστε το εξάρτημα.	X		
Εξετάστε τον προφυλακτήρα εξαρτήματος κοπής για ζημιές και ρωγμές.	X		
Βεβαιωθείτε ότι η πριονωτή λεπίδα ή η λεπίδα χόρτου είναι σωστά συνδεδεμένη. Βεβαιωθείτε ότι η πριονωτή λεπίδα ή η λεπίδα χόρτου είναι κοφτερή και δεν έχει υποστεί ζημιά.	X		
Εξετάστε την κεφαλή χορτοκοπτικού για ζημιές και ρωγμές. Αν υπάρχει ζημιά, αντικαταστήστε το εξάρτημα.	X		
Σφίξτε καλά το κόντρα παξιμάδι για παρελκόμενα κοπής με κόντρα παξιμάδι.	X		
Εξετάστε το προστατευτικό μεταφοράς για ζημιά και βεβαιωθείτε ότι μπορεί να προσαρτηθεί σωστά.	X		
Σφίξτε τα παξιμάδια και τις βίδες.	X		
Εξετάστε τον κινητήρα, το ντεπόζιτο καυσίμου και τις γραμμές καυσίμου για διαρροές.	X		
Εξετάστε τη μονάδα εκκίνησης και το κορδόνι εκκίνησης για ζημιές.		X	
Ελέγξτε το μπουζί. Ανατρέξτε στην ενότητα <i>Για να εξετάσετε το μπουζί στη σελίδα 721.</i> Αν χρειάζεται, αντικαταστήστε το μπουζί. Βεβαιωθείτε ότι το μπουζί έχει τοποθετηθεί με αντιπαρασιτικό.		X	
Καθαρίστε την εξωτερική επιφάνεια του καρμπυρατέρ και το χώρο γύρω από αυτό.		X	
Βεβαιωθείτε ότι το κωνικό γρανάζι είναι σωστά γεμισμένο με γράσο. Ανατρέξτε στην ενότητα <i>Κωνικό γρανάζι στη σελίδα 721.</i>		X	
Ελέγξτε το φίλτρο καυσίμου για ρύπους και το σωλήνα καυσίμου για ρωγμές και άλλα ελαττώματα. Αν χρειάζεται, αντικαταστήστε τους.			X
Εξετάστε όλα τα καλώδια και τις συνδέσεις.			X
Αντικαταστήστε το μπουζί. Βεβαιωθείτε ότι το μπουζί έχει τοποθετηθεί με αντιπαρασιτικό.			X

## Για να ρυθμίσετε τις στροφές ανά λεπτό ρελαντί

Η βελόνα υψηλής ταχύτητας και η βελόνα χαμηλής ταχύτητας είναι μόνιμα ρυθμισμένες και δεν προσαρμόζονται. Οι στροφές στο ρελαντί είναι η μόνη λειτουργία που μπορεί να ρυθμιστεί.

1. Εκκινήστε τον κινητήρα και βεβαιωθείτε ότι έχει ζεσταθεί προτού ξεκινήσετε τη ρύθμιση των στροφών στο ρελαντί.

2. Γυρίστε τη βίδα ρύθμισης στροφών ρελαντί δεξιόστροφα μέχρι το παρεκκόμενο κοπής να αρχίσει να περιστρέφεται.



3. Γυρίστε τη βίδα ρύθμισης στροφών ρελαντί αριστερόστροφα μέχρι το παρεκκόμενο κοπής να σταματήσει.
4. Οι στροφές ανά λεπτό ρελαντί πρέπει να είναι χαμηλότερες από τις στροφές που παρατηρούνται τη στιγμή που το παρεκκόμενο κοπής αρχίζει να περιστρέφεται. Οι στροφές ανά λεπτό ρελαντί είναι σωστές όταν ο κινητήρας λειτουργεί ομαλά σε όλες τις θέσεις.

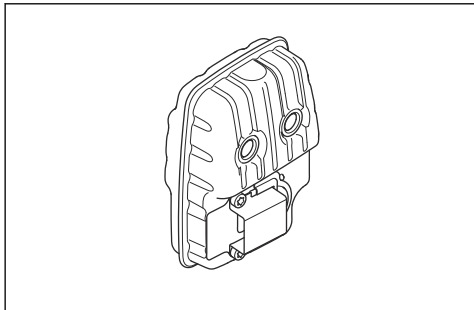
## Συντήρηση της εξάτμισης (σιγαστήρας)

Η εξάτμιση (σιγαστήρας) μειώνει το επίπεδο θορύβου και απομακρύνει τα καυσαέρια της εξάτμισης από τον χειριστή.

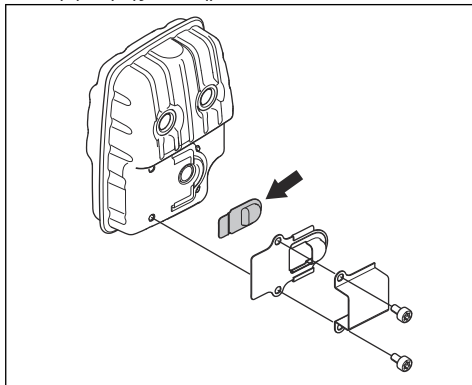


**ΠΡΟΕΙΔΟΠΟΙΗΣΗ:** Οι εξάτμισεις (σιγαστήρες) με καταλυτικούς μετατροπείς αναπτύσσουν πολύ υψηλή θερμοκρασία κατά τη λειτουργία, ενώ διατηρούν αυτήν τη θερμοκρασία και λίγο μετά τη διακοπή της λειτουργίας του προϊόντος. Αυτό ισχύει και όταν ο κινητήρας λειτουργεί στο ρελαντί. Τυχόν επαφή με το προϊόν μπορεί να προκαλέσει εγκαύματα. Κίνδυνος πυρκαγιάς.

1. Σταματήστε το προϊόν και αφήστε το να κρυώσει.
2. Αφαιρέστε τον σιγαστήρα της εξάτμισης.



3. Αφαιρέστε τις βίδες στερέωσης της σήτας συγκράτησης σπινθήρων.



4. Καθαρίστε τη σήτα συγκράτησης σπινθήρων εάν έχει φράξει ή αντικαταστήστε την εάν έχει υποστεί ζημιά.



**ΠΡΟΣΟΧΗ:** Αν η σίτα συγκράτησης των σπινθήρων έχει υποστεί ζημιά, πρέπει να αντικατασταθεί. Μην χρησιμοποιείτε το προϊόν, αν η σίτα συγκράτησης των σπινθήρων που βρίσκεται στην εξάτμιση (σιγαστήρας) λείπει ή είναι ελαττωματική.



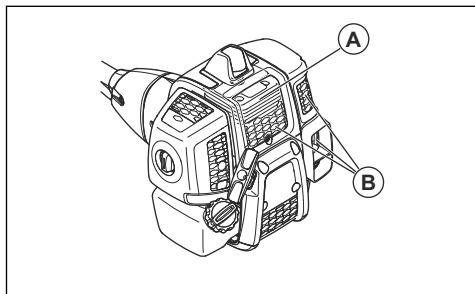
**ΠΡΟΣΟΧΗ:** Αν η σίτα συγκράτησης των σπινθήρων φράζει συχνά, αυτό μπορεί να αποτελεί ένδειξη ότι η απόδοση του καταλυτικού μετατροπέα έχει μειωθεί. Απευθυνθείτε στον αντιπρόσωπο σέρβις για τον έλεγχο της εξάτμισης (σιγαστήρα). Εάν η σίτα συγκράτησης των σπινθήρων είναι φραγμένη, μπορεί να προκληθεί υπερθέρμανση και να υποστεί ζημιά ο κύλινδρος και το έμβολο.

## Για τον καθαρισμό/τη συντήρηση του συστήματος ψύξης

Αυτό το προϊόν διαθέτει σύστημα ψύξης. Εάν το σύστημα ψύξης είναι βρώμικο ή έχει φράξει, μπορεί να προκύψει υπερθέρμανση του προϊόντος και να προκληθεί ζημιά στο έμβολο και στον κύλινδρο. Να ελέγχετε και να καθαρίζετε το σύστημα ψύξης με μια βούρτσα μία φορά την εβδομάδα ή συχνότερα σε απαιτητικές συνθήκες. Το σύστημα ψύξης περιλαμβάνει



περὺγια ψύξης στον κύλινδρο (A) και στο άνοιγμα εισαγωγής αέρα (B).



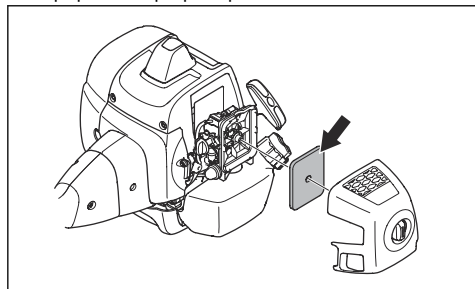
## Φίλτρο αέρα

Ένα βρόμικο φίλτρο αέρα μπορεί να προκαλέσει δυσλειτουργία του καρμπυρατέρ, προβλήματα εκκίνησης, απώλεια ισχύος του κινητήρα και φθορά στα εξαρτήματα του κινητήρα. Επίσης, έχει ως αποτέλεσμα ο κινητήρας να χρησιμοποιεί περισσότερο καύσιμο από ό,τι είναι απαραίτητο. Καθαρίζετε το φίλτρο σε διάστημα 8 ωρών ή συχνότερα, αν το προϊόν λειτουργεί σε περιβάλλον με πολλή σκόνη.

**Περιεχόμενα** Μπορεί να είναι απαραίτητη η ρύθμιση του κινητήρα μετά από καθαρισμό ή αντικατάσταση του φίλτρου αέρα. Ανατρέξτε στην ενότητα *Για να ρυθμίσετε τις στροφές ανά λεπτό ρελαντί στη σελίδα 719.*

## Καθαρισμός και έλεγχος του φίλτρου αέρα

1. Αφαιρέστε το φίλτρο αέρα.



2. Καθαρίστε το φίλτρο αέρα τύπου τσόχας με πεπιεσμένο αέρα.

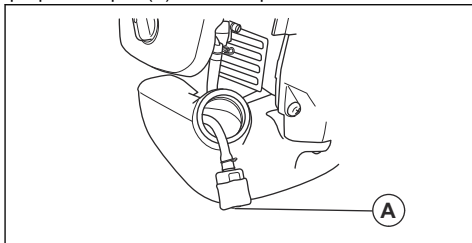


**ΠΡΟΣΟΧΗ:** Εάν το φίλτρο αέρα τύπου τσόχας δεν καθαρίζεται πλήρως, αντικαταστήστε την. Πρέπει πάντα να αντικαθιστάτε το φίλτρο αέρα τύπου τσόχας, εάν έχει υποστεί ζημιά.

3. Καθαρίστε την εσωτερική επιφάνεια του καλύμματος φίλτρου αέρα. Χρησιμοποιήστε πεπιεσμένο αέρα ή βούρτσα.

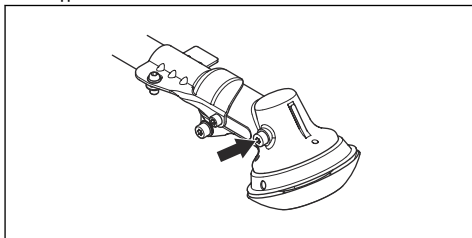
## Φίλτρο καυσίμου

Εάν εξαντληθεί το καύσιμο του κινητήρα, βεβαιωθείτε ότι η οπή αέρα στην τάπα του ντεπόζιτου καυσίμου και το φίλτρο καυσίμου (A) είναι καθαρά.



## Κωνικό γρανάζι

Το κωνικό γρανάζι είναι γεμάτο με τη σωστή ποσότητα γράσου από το εργοστάσιο. Παρόλα αυτά, πριν χρησιμοποιήσετε το προϊόν, βεβαιωθείτε ότι το κωνικό γρανάζι είναι γεμάτο κατά 3/4 με γράσο. Χρησιμοποιήστε ειδικό γράσο McCulloch.



Το γράσο στο κωνικό γρανάζι δεν χρειάζεται αντικατάσταση, εκτός εάν γίνεται επισκευή του κωνικού γρανάζιου.

## Για να εξετάσετε το μπουζί

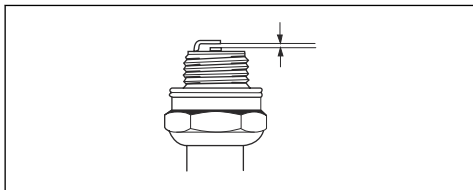


**ΠΡΟΣΟΧΗ:** Χρησιμοποιείτε πάντα τον συνιστώμενο τύπο μπουζί. Η χρήση λάθος τύπου μπουζί μπορεί να προκαλέσει ζημιά στο προϊόν.

- Αν ο κινητήρας έχει χαμηλή ισχύ, δεν εκκινείται εύκολα ή δεν λειτουργεί σωστά στο ρελαντί, ελέγξτε το μπουζί.
- Για να μειώσετε τον κίνδυνο συσσώρευσης ανεπιθύμητων υλικών στα ηλεκτρόδια του μπουζί, ακολουθήστε τις παρακάτω οδηγίες:
  - a) Βεβαιωθείτε ότι οι στροφές ανά λεπτό ρελαντί έχουν ρυθμιστεί σωστά.
  - b) Βεβαιωθείτε ότι το μίγμα καυσίμου είναι σωστό.
  - c) Βεβαιωθείτε ότι το φίλτρο αέρα είναι καθαρό.

- Αν το μπουζι είναι βρόμικο, καθαρίστε το και βεβαιωθείτε ότι το διάκενο του ηλεκτροδίου είναι σωστό, ανατρέξτε στην ενότητα *Τεχνικά στοιχεία στη σελίδα 722*.

- Αν χρειάζεται, αντικαταστήστε το μπουζι.



## Τεχνικά στοιχεία

	B40 B Elite	B40 BT Elite
<b>Ηλεκτροκινητήρας/κινητήρας</b>		
Κυβισμός κυλίνδρου, cm <sup>3</sup>	40,1	40,1
Διάμετρος κυλίνδρου, Ø mm	40,5	40,5
Μήκος διαδρομής κυλίνδρου, mm	31,1	31,1
Στροφές ανά λεπτό στο ρελαντί, σ.α.λ.	3000	3000
Συνιστώμενες μέγ. στροφές, σ.α.λ	12000	12000
Ταχύτητα κινητήριου άξονα, σ.α.λ	8220	8220
Μέγ. ισχύς κινητήρα, κατά ISO 8893, kW/σ.α.λ.	1,5 στις 9000	1,5 στις 9000
<b>Σύστημα ανάφλεξης</b>		
Μπουζι	NGK CMR7H-10	NGK CMR7H-10
Διάκενο ηλεκτροδίου, mm	0,9-1,0	0,9-1,0
<b>Σύστημα καυσίμου και λήπανσης</b>		
Κατασκευαστής/τύπος καρμπυρατέρ	Ruixing H225D-	Ruixing H225D-
Χωρητικότητα ντεπόζιτου καυσίμου, l/cm <sup>3</sup>	1 / 1000	1 / 1000
<b>Βάρος</b>		
Χωρίς καύσιμο, εξάρτημα κοπής και προφυλακτήρα, kg	7,3	7,4
<b>Εκπομπές θορύβου<sup>79</sup></b>		
Στάθμη ηχητικής ισχύος, μετρούμενη τιμή dB(A)	112	112
Εγγυημένη στάθμη ηχητικής ισχύος L <sub>WA</sub> dB(A)	118	118

<sup>79</sup> Οι εκπομπές θορύβου στο περιβάλλον μετρούνται ως ηχητική ισχύς (L<sub>WA</sub>) σε συμμόρφωση με την Οδηγία 2000/14/ΕΚ. Η καταγεγραμμένη στάθμη ηχητικής ισχύος για το μηχάνημα έχει μετρηθεί με το γνήσιο παρελκόμενο κοπής, που δίνει την υψηλότερη στάθμη. Η διαφορά μεταξύ της εγγυημένης και της μετρούμενης ηχητικής ισχύος είναι ότι η εγγυημένη ηχητική ισχύς περιλαμβάνει επίσης τη διασπορά στο αποτέλεσμα της μέτρησης και τις αποκλίσεις μεταξύ των διαφορετικών μηχανημάτων του ίδιου μοντέλου σύμφωνα με την Οδηγία 2000/14/ΕΚ.

	B40 B Elite	B40 BT Elite
<b>Στάθμες ήχου<sup>80</sup></b>		
Ισοδύναμη στάθμη ηχητικής πίεσης στα αυτιά του χειριστή, μετρημένη κατά EN ISO 11806 και ISO 22868, dB(A), ελάχ./μέγ.		
Εξοπλισμένο με κεφαλή χορτοκοπτικού (εργοστασιακό εξάρτημα)	100	100
Εξοπλισμένο με λεπίδα χόρτου (εργοστασιακό εξάρτημα)	99	99
Εξοπλισμένο με πριονωτή λεπίδα (εργοστασιακό εξάρτημα)	–	99
<b>Στάθμες κραδασμών<sup>81</sup></b>		
Ισοδύναμες στάθμες κραδασμών ( $a_{h\nu,eq}$ ) στις λαβές, μετρημένες κατά EN ISO 11806 και ISO 22867, $m/s^2$		
Εξοπλισμένο με κεφαλή χορτοκοπτικού (εργοστασιακό εξάρτημα), αριστερά/δεξιά	3,4 / 4,4	3,4 / 4,4
Εξοπλισμένο με λεπίδα χόρτου (εργοστασιακό εξάρτημα), αριστερά/δεξιά	5,2 / 5,1	5,2 / 5,1
Εξοπλισμένο με πριονωτή λεπίδα (εργοστασιακό εξάρτημα), αριστερά/δεξιά	–	4,5 / 4,2

<b>B40 B Elite, B40 BT Elite</b>		
<b>Εγκεκριμένα εξαρτήματα</b>	<b>Τύπος</b>	<b>Προφυλακτήρας παρελκόμενου κοπής, κωδ. ανταλλακτικού</b>
Κεντρική οπή σε λεπίδες/κοπτικά εργαλεία, $\varnothing$ 25,4 mm		
Σπείρωμα κινητήριου άξονα M12		
Λεπίδα/κοπτικό εργαλείο χόρτου	Λεπίδα χόρτου 255-4, 1" ( $\varnothing$ 255, 4 δόντια)	580 30 50-01
	Λεπίδα χόρτου 255-3 ( $\varnothing$ 255 3 δόντια)	580 30 50-01
Πριονωτή λεπίδα	Πριονωτή λεπίδα 200-22 ( $\varnothing$ 200-22 δόντια)	581 33 84-01
Κεφαλή χορτοκοπτικού	P35	580 30 50-01
Δοχείο στήριξης	Σταθερό	–

<sup>80</sup> Τα καταγεγραμμένα στοιχεία για την ισοδύναμη στάθμη ηχητικής πίεσης έχουν τυπική στατιστική διασπορά (τυπική απόκλιση) 1 dB (A).

<sup>81</sup> Τα καταγεγραμμένα στοιχεία για τη στάθμη κραδασμών έχουν τυπική στατιστική διασπορά (τυπική απόκλιση) ίση με 1  $m/s^2$ .

### Δήλωση Συμμόρφωσης ΕΚ

**Husqvarna AB**, SE-561 82 Huskvarna, Σουηδία, τηλ.: +46-36-146500, δηλώνει ότι τα χορτοκοπτικά **McCulloch B40 B Elite** με αριθμούς σειράς έτους κατασκευής 2021 και έπειτα (το έτος αναγράφεται ευκρινώς στην πινακίδα στοιχείων μαζί με τον αριθμό σειράς), συμμορφώνονται με τις απαιτήσεις της ΟΔΗΓΙΑΣ ΤΟΥ ΣΥΜΒΟΥΛΙΟΥ:

- της 17ης Μαΐου 2006 "περί μηχανημάτων" **2006/42/EK**
- της 26ης Φεβρουαρίου 2014 "περί ηλεκτρομαγνητικής συμβατότητας" **2014/30/EE**
- της 8ης Μαΐου 2000 "περί εκπομπών θορύβου στο περιβάλλον" **2000/14/EK**. Αξιολόγηση της συμμόρφωσης σύμφωνα με το παράρτημα V. Για πληροφορίες σχετικά με τις εκπομπές θορύβου, βλ. το κεφάλαιο "Τεχνικά στοιχεία".
- της 8ης Ιουνίου 2011 "σχετικά με τον περιορισμό της χρήσης ορισμένων επικίνδυνων ουσιών σε είδη ηλεκτρικού και ηλεκτρονικού εξοπλισμού" **2011/65/EE**.

Εφαρμόστηκαν τα ακόλουθα πρότυπα:

**EN ISO 12100:2010, CISPR 12:2007+A1:2009, EN ISO 14982:2009, EN ISO 11806-1:2011, EN IEC 63000:2018**

H RISE SMP Svensk Maskinprovning AB, Box 7035, SE-750 07 Uppsala, Sweden έχει διεξαγάγει εθελοντικά εξέταση τύπου εκ μέρους της Husqvarna AB. Οι αριθμοί των πιστοποιητικών είναι οι εξής: **SEC/12/2339** - B40 B Elite, B40 BT Elite

H RISE SMP Svensk Maskinprovning AB έχει επίσης επαληθεύσει τη συμβατότητα με το παράρτημα V της οδηγίας 2000/14/EK του Συμβουλίου.

Huskvarna, 2020-08-25



Pär Martinsson, Διευθυντής Ανάπτυξης  
(Εξουσιοδοτημένος αντιπρόσωπος της Husqvarna AB και υπεύθυνος για την τεχνική τεκμηρίωση)

---

## İçindekiler

---

Giriş.....	725	Bakım.....	744
Güvenlik.....	727	Teknik veriler.....	747
Montaj.....	735	AT Uyumluluk Bildirimi.....	750
Kullanım.....	738	.....	0

---

## Giriş

---

### Ürün açıklaması

Bu ürün, yanmalı motorlu bir çalı tırpanıdır.

Kullanım sırasında güvenliğiniz ve verimliliği artırmak için sürekli olarak çalışmalar yapılmaktadır. Daha fazla bilgi için lütfen servis bayinizle görüşün.

### Kullanım amacı

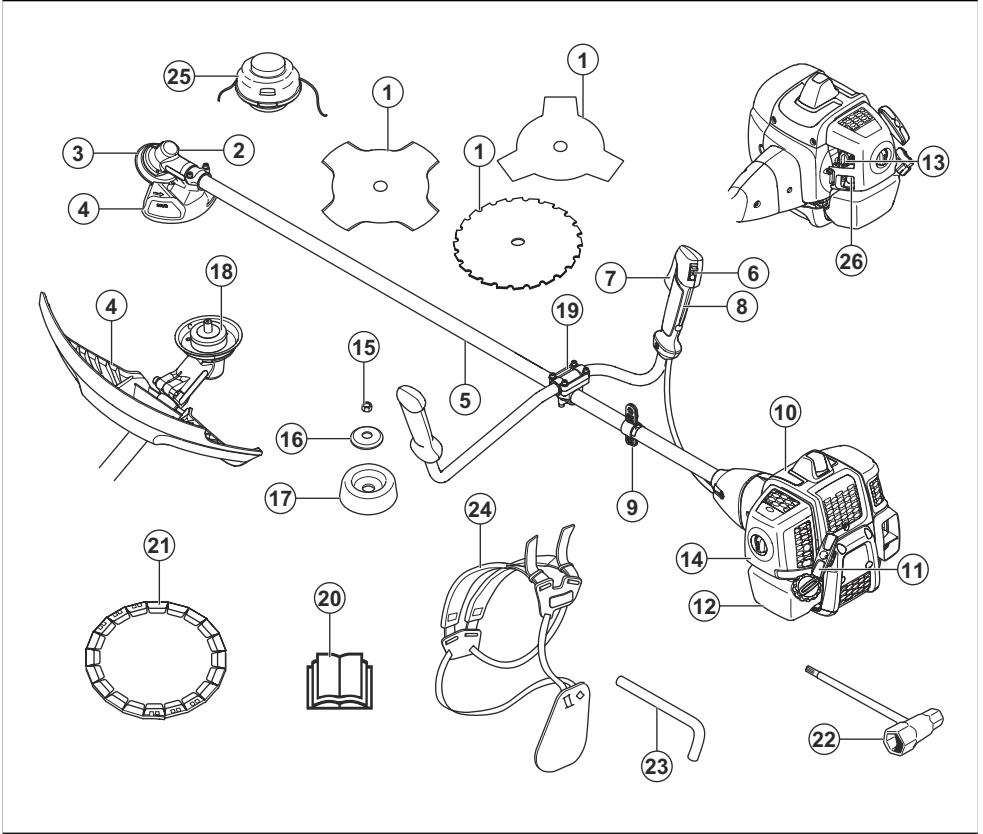
Ürünü bir testere bıçağı, bir çim bıçağı veya bir misina kafa ile değişik türdeki yeşillikleri kesmek için kullanın. Ürünü çim budama, çim temizleme ve orman temizleme

işleri dışında kullanmayın. Lifli türde ağaçları kesmek için testere bıçağını kullanın. Çim kesmek için çim bıçağını veya misina kafayı kullanın.

**Not:** Kullanım, ulusal veya yerel yönetmelikler tarafından düzenlenebilir. Belirlenmiş yönetmeliklere uyun.

Ürünü yalnızca üretici tarafından onaylanmış aksesuarlarla kullanın. Bkz. *Teknik veriler sayfa: 747.*

## Ürüne genel bakış



1. Bıçak (tüm pazarlarda mevcut değildir)
2. Gres doldurma kapağı, ayna dişli
3. Ayna dişli
4. Kesme ataşmanı siperliği
5. Mil
6. Durdurma anahtarı
7. Gaz tetiği
8. Gaz kilidi
9. Askı halkası
10. Silindir kapağı
11. Çalıştırma kolu
12. Yakıt tankı
13. Jikle kontrolü
14. Hava filtresi kapağı
15. Kilitleme somunu
16. Destek flanşı
17. Destek manşeti
18. Çalıştırma diski

19. Tutacak kelepçesi
20. Kullanım kılavuzu
21. Nakliye koruyucusu (tüm pazarlarda mevcut değildir)
22. Soket anahtarı
23. Kilit pimi (alyan anahtarı olmayan ürünler için)
24. Taşıma askısı
25. Misina kafa
26. Yakıt pompası diyaframı haznesi

## Ürün üzerindeki semboller



**UYARI!** Bu ürün tehlikelidir. Ürün dikkatli ve doğru bir şekilde kullanılmazsa operatör veya yakındaki kişiler yaralanabilir veya ölebilir. Operatörün veya yakındaki kişilerin yaralanmasını önlemek için kullanım kılavuzundaki tüm güvenlik talimatlarını okuyup bunlara uyun.



Kullanım kılavuzunu dikkatle okuyun ve kullanımdan önce talimatları anladığınızdan emin olun.



Üzerinize nesne düşebilecek yerlerde koruyucu baret kullanın. Onaylanmış kulak koruma ekipmanı kullanın. Onaylı koruyucu gözlük kullanın.



Onaylı koruyucu eldiven kullanın.



Ağır işler için elverişli, kaymaya dirençli botlar kullanın.



Ürün, nesne fırlatarak yaralanmaya neden olabilir.



Çıkış milinin maksimum hızı.



Ürünü kullanırken başka kişilerle ve hayvanlarla aranızda en az 15 m/50 ft mesafe bırakın.



Kesme donanımı anında kesemediği bir nesneye dokunursa bıçak saplanması riski oluşur. Ürün, uzuvların kesilmesine neden olabilir. Ürünü kullanırken başka kişilerle ve hayvanlarla aranızda en az 15 m/50 ft mesafe bırakın.



Yalnızca esnek kesme teli kullanın. Metal kesme elemanları kullanmayın. Bu, çim siperlik aksesuarı için de geçerlidir.



Oklar, tutma yeri konumu için sınırını gösterir.



Yakıt pompası diyaframı haznesi.



Yakıtı doldurun.



Jikle.



Avrupa Direktifi 2000/14/AT ve Yeni Güney Galler mevzuatı "Çevre Koruma Operasyonları (Gürültü Kontrolü) Yönetmeliği 2017" uyarınca çevreye yayılan gürültü emisyonu. Gürültü emisyonu verileri makine etiketinde ve şurada bulunabilir: *Teknik veriler sayfada: 747.*



Ürün, geçerli AT direktiflerine uygundur.

yyyyhxxxx

Nominal değerler plakası veya lazer baskı, seri numarasını gösterir. yyyy üretim yılı, hh ise üretim haftasıdır.

**Not:** Ürünün üzerindeki diğer semboller/etiketler, diğer ticari alanların sertifikalandırma gereklilikleriyle ilgilidir.

## Ürün sorumluluğu

Ürün sorumluluğu yasalarında belirtildiği üzere;

- ürünün hatalı bir şekilde onarılması,
- ürünün, üretici tarafından onaylanmayan veya üreticiden alınmayan parçalarla tamir edilmesi,
- üründe, üreticiden alınmayan veya üretici tarafından onaylanmayan bir aksesuar bulunması,
- ve ürünün, onaylı bir servis merkezinde veya yetkili bir kurum tarafından tamir edilmemesi durumunda oluşabilecek hasarlardan sorumlu değildir.

## Avrupa V Emisyonları



**UYARI:** Motorun kurcalanması bu ürünün AB tip onayını geçersiz kılar.

## Güvenlik

### Güvenlik tanımları

Aşağıdaki tanımlar, her bir sinyal kelimesinin önem derecesini belirtir.



**UYARI:** Yaralanma tehlikesi.



**DİKKAT:** Ürünün hasar görme tehlikesi.

- Operatörün veya diğer kişilerin yaralanmasını önlemek için kuşam askılığı ürüne takın.

## Kullanım için güvenlik talimatları



**UYARI:** Ürünü kullanmadan önce aşağıdaki uyarı talimatlarını okuyun.

- Ürünü kullanmadan önce orman temizleme, çim temizleme ve çim budama arasındaki farkı öğrenin ve anlayın.
- Kişisel koruyucu ekipman kullanın, bkz. *Kişisel koruyucu ekipman sayfa: 129*.
- Uzun süre gürültüye maruz kalınması sürekli işitme kaybına yol açabilir. Her zaman onaylanmış kulak koruma aygıtını kullanın.
- Kulak koruma ekipmanı kullanırken uyarı sinyallerine ve yüksek seslere dikkat edin. Motor durduğunda kulak koruma ekipmanınızı hemen çıkarın.
- Üzerinde değişiklik yapılan veya kusurlu ürünü asla kullanmayın.
- Elektrik çarpması riskini önlemek için buji kapağının ve ateşleme ucunun hasarlı olmadığından emin olun.
- Çalışma yerinde ürünün güvenli bir şekilde kullanılmasını olumsuz etkileyecek insan, hayvan ya da nesne bulunmadığından emin olmak için çevreyi kontrol edin.
- Çalışma yerinde hiçbir kimsenin ya da hayvanın kesme donanımına dokunmadığından veya kesme donanımının fırlattığı nesnelere kimseye çarpmayacağından emin olun.
- Ürünü bir kaza olması halinde ilk yardım alamayacağınız bir durumda ya da yerde kullanmayın.
- Onaylanmış kesme donanımı siperliği olmadan ürünü kullanmayın.
- Çalışma sırasında insanların veya hayvanların en az 15 m/50 ft uzaklıkta olduklarından emin olun. Ürünle birlikte dönmeden önce mutlaka arkaniza bakın. Herhangi bir kişi veya hayvan 15 m/50 ft'lik güvenlik bölgesine girerse ürünü hemen durdurun. Aynı bölgede 1 kişiden fazla operatör çalışıyorsa ağacın yüksekliğinin en az 2 katı kadar ve en az 15 m/50 ft olan güvenlik mesafesini koruyun.
- Çalışma alanını inceleyin. Taş, kırık cam, çivi, çelik tel, ip vb. fırlatabilecek veya kesme donanımına dolanabilecek tüm sabit olmayan nesnelere kaldırın.
- Güvenli bir şekilde hareket edebildiğinizden ve durabildiğinizden emin olun. Çevrenizdeki bölgede ağaç kökü, kaya, dal ve çukur gibi engeller olup

**Not:** Bu bilgiler, ürünün kullanımını kolaylaştırır.

## Genel güvenlik talimatları



**UYARI:** Ürünü kullanmadan önce aşağıdaki uyarı talimatlarını okuyun.

- Bu ürün, çalışırken elektromanyetik bir alan oluşturur. Bu alan, bazı koşullarda aktif veya pasif tıbbi implantlarda girişime neden olabilir. Ciddi veya ölümcül yaralanma riskini azaltmak için tıbbi implantı olan kişilerin, bu ürünü kullanmadan önce doktorlarına ve tıbbi implant üreticilerine danışmalarını öneririz.
- Ürünü yorgun, hasta veya alkol ya da ilaç etkisi altındayken kullanmayın. Bu durum görüş, dikkat, koordinasyon ve doğru bir şekilde düşünmenizi olumsuz yönde etkiler.
- Ürünü yoğun sis, sağanak yağmur, kuvvetli rüzgar veya aşırı soğuk gibi hava şartlarında çalıştırmayın. Ürünü kötü hava şartlarında kullanmak yorulmanıza neden olabilir ve buzlu zemin, ağaçların beklenmeyen yöne düşmesi vb. ek riskler doğurur.
- Her zaman dikkatli olun ve sağduyunuzu kullanın. Kullanım kılavuzunu okuduktan sonra çalışma şartları veya kullanım prosedürleri hakkında emin olamazsanız devam etmeden önce servis bayisiyle görüşün.
- Üründen uzaklaşacaksanız buji kapağını çıkarın.

## Montaj için güvenlik talimatları

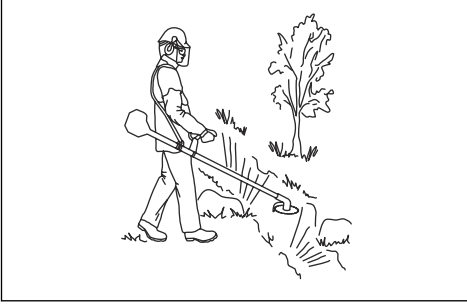


**UYARI:** Ürünü kullanmadan önce aşağıdaki uyarı talimatlarını okuyun.

- Ürünü ve kesme donanımını monte ederken onaylı koruyucu eldivenler kullanın.
- Ürünün montajını yapmadan önce buji kapağını bujiden çıkarın.
- Ürünü çalıştırmadan önce doğru gidon ve kesme donanımı siperliğinin monte edildiğinden emin olun.
- Yanlış veya arızalı kesme donanımı siperliği yaralanmalara neden olabilir. Kesme ataşmanını onaylı bir kesme ataşmanı siperliği olmadan kullanmayın.
- Ürünü çalıştırmadan önce kavrama kapağını ve mili doğru şekilde takın.
- Çalıştırma diski ve destek flanşı, kesme donanımının orta deliğine doğru şekilde yerleşmelidir. Yanlış şekilde takılan kesme donanımı yaralanmaya veya ölüme neden olabilir.



olmadığına bakın. Eğimli yerlerde çalışırken dikkatli olun.



- Makineyi kullanırken erişim alanınızın dışındaki yerlere uzanmaya çalışmayın. Her zaman güvenilir bir pozisyonda ve dengede olduğunuzdan emin olun.
- Ürünü, çalıştırmadan önce yakıt kaynağının bulunduğu ve yakıt doldurduğunuz yerden en az 3 m/10 ft mesafede düz bir yüzeye koyun. Kesme donanımının yakınında veya donanıma dokunan hiçbir nesne olmadığından emin olun.
- Kesme donanımı rölantide dönüyorsa bir servis noktasına ayar yaptırın. Ürünü, doğru şekilde ayarlanana veya onarılanaya kadar kullanmayın.
- Savrulabilecek nesnelere karşı dikkatli olun. Daima onaylı koruyucu gözlük kullanın ve kesme donanımı siperliği uzak durun. Taş veya benzeri küçük nesnelere gözünüze fırlayıp körlüğe veya başka tür yaralanmalara neden olabilir.
- Görüş alanınızda değilken ürünü motor çalışır halde asla yere koymayın.
- Ciddi yaralanmayla sonuçlanabileceğinden, kesilen yeşilliği motor çalışırken veya kesme donanımı dönerken çıkarmayın, başkasının çıkarmasına da izin vermeyin.
- Bıçak miline dolanmış veya kesme donanımı siperliği ile kesme donanımı arasına sıkışmış malzemeyi çıkarmadan önce daima motoru durdurun ve kesme donanımının dönmediğinden emin olun.
- Malzemeyi kesme donanımının etrafından temizlerken dikkatli olun. Çalışma sırasında ayna dişli ısınır ve yanıklara neden olabilir.
- Motordan çıkan egzoz dumanları sıcaktır ve kıvılcımlı olabilir. Yangın tehlikesi. Kuru ve yanıcı maddelerin yakınında dikkatli olun.
- Bu ürünü kapalı alanlarda veya yeterli havalandırması olmayan yerlerde kesinlikle kullanmayın. Egzoz dumanı kokusuz, zehirli ve son derece tehlikeli bir gaz olan karbon monoksit içerir.
- Yeni bir çalışma bölgesine geçmeden önce motoru durdurun. Ekipmanı taşımadan önce daima nakliye koruyucusunu takın.
- Titreşime aşırı ölçüde maruz kalmak, dolaşım bozukluğu olan kişilerde dolaşım veya sinir sistemi hasarına yol açabilir. Titreşime aşırı maruz kalma belirtileri yaşıyorsanız doktorunuzla konuşun. Bu belirtilerden bazıları uyuşma, his kaybı,

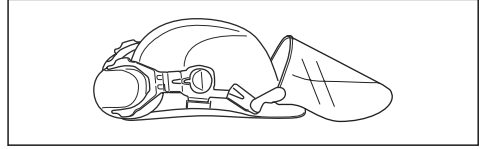
karıncalanma, iğnelenme, acı, güç kaybı, cilt renginde veya durumunda değişiklikler. Bu belirtiler çoğunlukla parmaklarda, ellerde veya bileklerde ortaya çıkar. Düşük sıcaklıklarda risk artar.

## Kişisel koruyucu ekipman

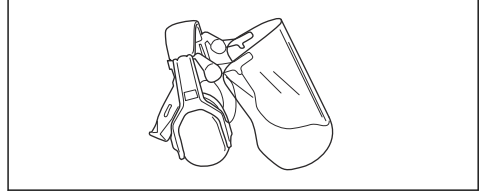


**UYARI:** Ürünü kullanmadan önce aşağıdaki uyarı talimatlarını okuyun.

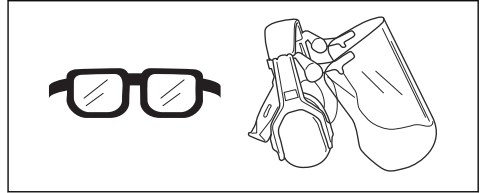
- Ürünü kullanırken daima onaylı kişisel koruyucu ekipmanları kullanın. Kişisel koruyucu ekipmanlar yaralanma riskini tamamen engelleyemez ancak bir kaza durumunda yaralanmanın derecesini azaltır. Bayinizin doğru ekipmanı seçmenize yardımcı olmasını sağlayın.
- Çalışma bölgesindeki ağaçların yüksekliği 2 m/6,5 ft üzerindeyse baret kullanın.



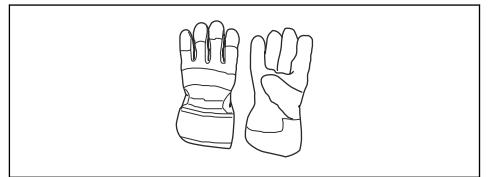
- Onaylanmış kulak koruma ekipmanı kullanın.



- Onaylı koruyucu gözlük kullanın. Vizör kullanıyorsanız onaylı koruma gözlüğü de kullanmanız gerekir. Onaylı koruma gözlüğü ABD'de ANSI Z87.1 veya AB ülkelerinde EN 166 standardıyla uyumlu olmalıdır.



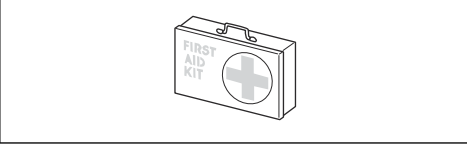
- Kesme donanımını takma, kontrol etme veya temizleme gibi eldiven gerektiren durumlarda eldiven kullanın.



- Çelik burunlu ve kaymaz tabanlı koruyucu bot kullanın.



- Sağlam kumaştan yapılmış kıyafetler kullanın. Daima kalın ve uzun pantolonlarla uzun kollu kıyafetler kullanın. Çalılara ve dallara takılabilecek bol kıyafetler kullanmayın. Takı takmayın, kısa pantolon veya sandalet kullanmayın. Çıplak ayakla kullanmayın. Saçınızı güvenli bir şekilde omuz hizasının üzerinde toplayın.
- İlk yardım ekipmanını yakında bulundurun.



### Ürünün üzerindeki güvenlik aletleri

Güvenlik araçlarının nerede bulunabileceği hakkında bilgi için bkz. *Kesme donanımı koruyucusu sayfada: 731.*



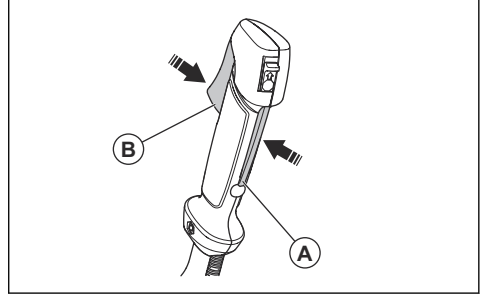
**UYARI:** Ürünü kullanmadan önce aşağıdaki uyarı talimatlarını okuyun.

- Güvenlik araçları arızalı olan bir ürünü kullanmayın. Güvenlik araçlarında düzenli olarak kontrol ve bakım yapın. Güvenlik araçları arızalıysa McCulloch servis noktanızla görüşün.
- Güvenlik araçlarında değişiklik yapmayın. Koruyucu kapaklar, emniyet şalterleri veya diğer koruyucu cihazlar takılı değilse veya arızalıysa ürünü kullanmayın.
- Üründe, özellikle de güvenlik araçlarında yapılacak tüm servis ve onarım işleri için özel eğitim gerekir. Güvenlik araçları bu kullanım kılavuzundaki denetimleri geçemiyorsa servis noktasından yardım almalısınız. Profesyonel servis ve onarım garantisi sunuyoruz. Yetkili satıcınız servis noktası değilse kendisiyle görüşüp en yakınınızdaki servis noktası hakkında bilgi edinin.
- Kesme donanımını onaylı ve doğru takılmış bir kesme donanımı siperliği olmadan kullanmayın. Bkz. *Teknik veriler sayfada: 747.*

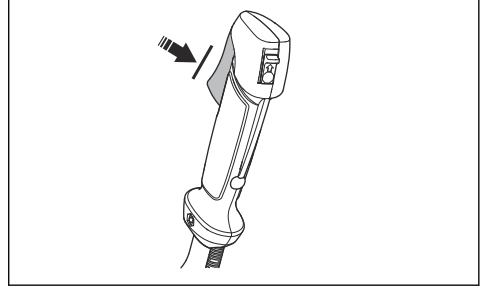
### Gaz tetiği kilidini kontrol etme

Gaz kilidi, gaz kontrolünün yanlışlıkla çalıştırılmasını önlemek üzere tasarlanmıştır.

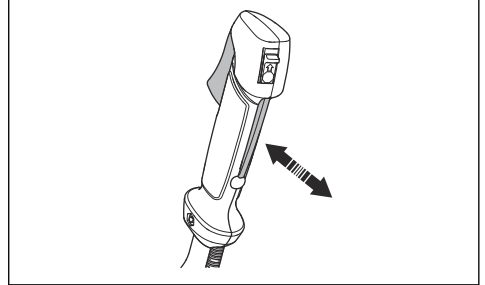
1. Gaz tetiği kilidine (A) basın ve gaz kontrolünün (B) serbest bırakıldığından emin olun. Kolu serbest bıraktığınızda gaz kontrolü ve gaz tetiği kilidi ilk konumlarına geri döner. Bu hareket, iki dönüşlü yay tarafından kontrol edilir. Bu düzenleme rölanți ayarında gaz kontrolünün otomatik olarak kilitlendiği anlamına gelir.



2. Gaz tetiği kilidi serbest bırakıldığında gaz kontrolünün rölanți konumunda sabitlendiğinden emin olun.

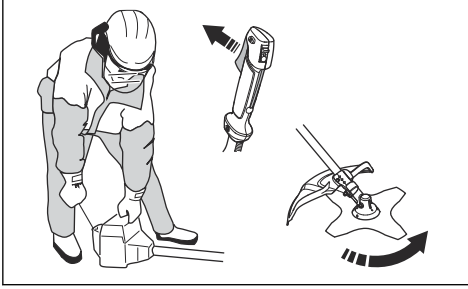


3. Gaz tetiği kilidine basın ve serbest bıraktığınızda ilk konumuna döndüğünden emin olun.



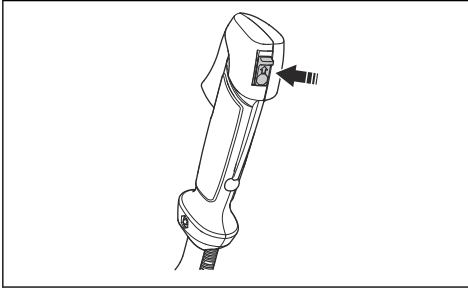
4. Gaz kontrolü ve gaz tetiği kilidinin serbestçe hareket edip etmediğini ve dönüş yaylarının düzgün çalışıp çalışmadığını kontrol edin.
5. Ürünü çalıştırın (*Çalıştırma ve durdurma sayfada: 740* bölümündeki talimatlara bakın) ve tam gaz uygulayın.

6. Gazı serbest bırakın ve kesme donanımının durduğundan ve hareketsiz durumda kaldığından emin olun. Gaz rölanti konumundayken kesme ataşmanı hareket ederse karbüratörü ayarlayın. *Rölantinin ayarlanması sayfada: 745 bölümündeki talimatlara bakın.*



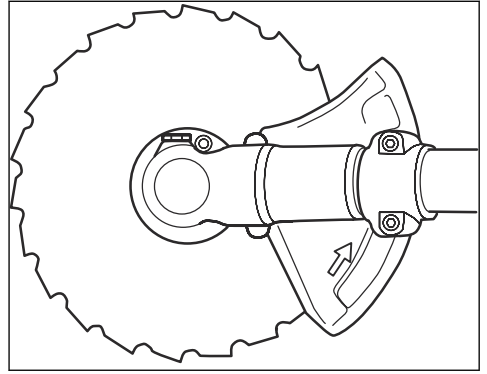
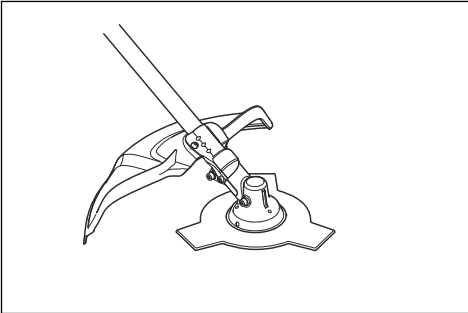
### Durdurma anahtarını kontrol etme

1. Motoru başlatın.
2. Durdurma düğmesini durdurma konumuna getirin ve motorun durduğundan emin olun.



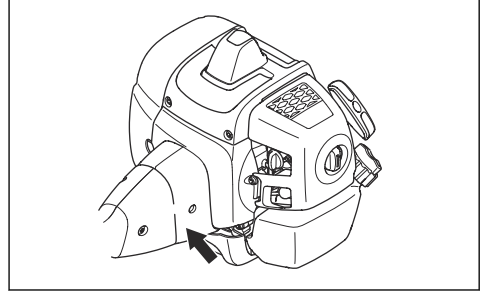
### Kesme donanımı koruyucusu

Kesme donanımı siperliği, nesnelerin operatöre doğru fırlatılmasını engeller. Kesme donanımı siperliğinde hasar olup olmadığını kontrol edin ve hasarlıysa siperliği değiştirin. Yalnızca onaylı kesme donanımı siperliğini kullanın.



### Titreşim azaltma sistemini kontrol etme

Titreşim azaltma sistemi, tutacaklardaki titreşimi en aza düşürerek kullanımı kolaylaştırır.



1. Motoru durdurun.
2. Çatlama gibi herhangi bir hasar veya deformasyon olup olmadığını gözünüzle kontrol edin.
3. Titreşim azaltma sistemi elemanlarının doğru takıldığından emin olun.

### Çabuk çıkartma mekanizmasını kontrol etme

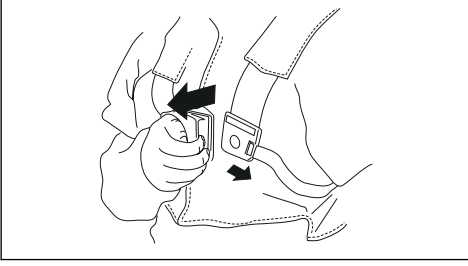


**UYARI:** Çabuk çıkartma mekanizması bozuk olan bir kuşam askılıktan çabucak çıkarmasını sağlar.

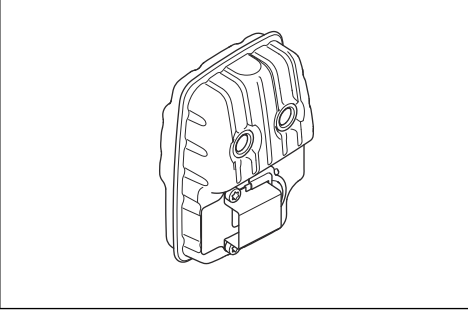
Çabuk çıkartma mekanizması, acil bir durum olduğunda operatörün ürünü kuşam askılıktan çabucak çıkarmasını sağlar.

1. Motoru durdurun.
2. Çatlama gibi bir hasar olup olmadığını gözünüzle kontrol edin.

3. Doğru çalıştığından emin olmak için çabuk çıkartma mekanizmasını açıp tekrar takın.



### Susturucu



- Susturucusu hasar görmüş motor kullanmayın. Hasarlı bir susturucu, gürültü düzeyini ve yangın riskini artırır. Yakında bir yangın söndürücü bulundurun.
- Susturucunun ürüne takılı olup olmadığını düzenli olarak kontrol edin.
- Motor açıkken motora veya susturucuya dokunmayın. Motor durduktan sonra motora veya susturucuya bir süre boyunca dokunmayın. Sıcak yüzeyler yaralanmalara sebep olabilir.
- Sıcak susturucu yangına neden olabilir. Ürünü yanıcı sıvıların veya dumanların yakınında kullanırken dikkatli olun.
- Susturucu hasar görmüşse susturucudaki parçalara dokunmayın. Parçalar kanserojen kimyasallar içerebilir.
- Üründe kıvılcım önleyici varsa kıvılcım önleyiciyi düzenli aralıklarla temizleyin. 🗑️

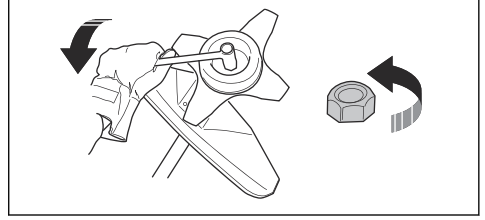
### Kilitleme somununun takılması ve çıkarılması



**UYARI:** Motoru durdurun, koruyucu eldiven kullanın ve kesme donanımının keskin kenarlarının çevresinde dikkatli olun.

Bazı kesme ataşmanı tiplerini sabitlemek amacıyla bir kilitleme somunu kullanılır. Kilitleme somunu soldan dışlıdır.

- Takmak için kilitleme somununu kesme ataşmanının dönme yönünün aksi yönünde sıkın.
- Kilitleme somununu çıkarmak için kilitleme somununu kesme ataşmanının dönme yönünde gevşetin.
- Kilitleme somununu gevşetmek ve sıkamak için uzun millî bir soket anahtarı kullanın. Resimdeki ok, soket anahtarını kullanabileceğiniz bölgeyi göstermektedir.



**UYARI:** Kilitleme somununu gevşetirken ve sıkarken bıçakla yaralanma riski vardır. Bunu yaparken bıçak siperliğinin elinizin yaralanmasını önlediğinden daima emin olmanız gerekir.

**Not:** Kilitleme somununu elinizle döndüremediğinizden emin olun. Naylon katın direnci en az 1,5 Nm değilse somunu değiştirin. Kilitleme somunu yaklaşık 10 defa takıldıktan sonra değiştirilmelidir.

### Kesme ekipmanı

Aşağıdakileri yerine getirmek üzere kesme donanımını seçin ve donanımın bakımını yapın:

- Maksimum kesme performansı elde edilmesi.
- Kesme donanımının kullanım ömrünün uzatılması.
- Susturucuya yönelik kontrol, bakım ve servis talimatlarını izleyin.
- Her zaman önerilen kesme donanımı siperliğini kullanın. Teknik verilere başvurun.



**UYARI:** Kesme Ataşmanlarını yalnızca önerdiğimiz siperliklerle kullanın! Teknik verilere ilişkin bölüme bakın. Misinayı doğru şekilde yükleme yöntemini ve doğru misina çapını kontrol etmek için kesme ataşmanı talimatlarına bakın.



**UYARI:** Hatalı bir kesme ataşmanı kaza riskini artırabilir.

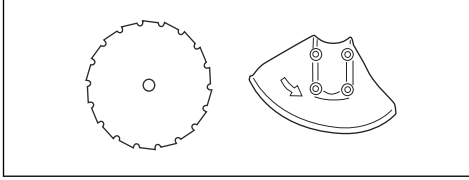


**UYARI:** Kesme ataşmanı üzerinde bir işlem yapmadan önce motoru mutlaka durdurun. Gaz serbest bırakıldıktan sonra bile dönmeye devam eder. Üzerinde çalışmaya başlamadan önce kesme

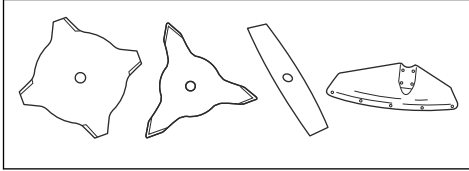
ataşmanın tamamen durduğundan emin olun ve buji kapağını çıkarın.

### Kesme ataşmanı

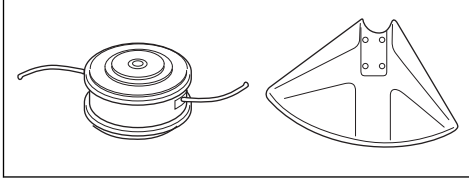
- Lifli türde ağaçları kesmek için testere bıçağını kullanın.



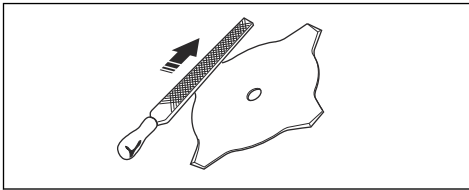
- Kalın çimleri kesmek için bıçakları ve çim bıçaklarını kullanın.



- Çimi kesmek için misina kafayı kullanın.



- Yanlış şekilde bileyenmiş veya hasarlı bıçak kaza riskini artırır. Bıçağın dişlerini doğru şekilde bileyenmiş biçimde tutun. *Çim kesicilerin ve çim bıçaklarının bilenmesi sayfa: 733* talimatlarına uygun ve önerilen eğe masterını kullanın.



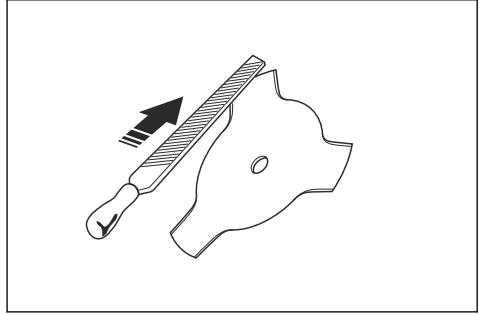
- Kesme ataşmanında hasar veya çatlak olup olmadığına bakın. Hasarlı kesme ataşmanını değiştirin.
- Kesme ataşmanlarını yalnızca önerilen siperliklerle kullanın. Bkz. *Teknik veriler sayfa: 747*.

### Bıçaklar

- Ürünü, onaylı bir bıçakla kullanın. Tüm gerekli parçalar düzgün bir şekilde takılmadan bıçağı kullanmayın. Kurulumun doğru yapıldığından ve uygun parçaların kullanıldığından emin olun. Yanlış

kurulum, bıçağın yerinden çıkıp fırlayarak operatörün veya etrafına duranların ciddi bir şekilde yaralanmasına sebep olabilir.

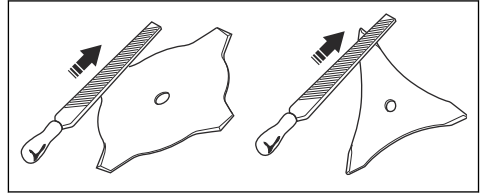
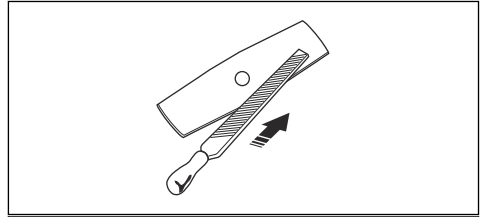
- Bıçakta işlem gerçekleştirirken veya bakım yaparken koruyucu eldiven takın.
- Bıçak takılı bir ürünü kullanırken kafa koruma ekipmanı kullanın.
- Motor durdurulduktan veya gaz tetiği serbest bırakıldıktan sonra dönmeye devam eden bıçaktan kaynaklı yaralanmalar olabilir. Bakım yapmadan önce bıçağın tamamen durduğundan emin olun.
- Kesme donanımı üzerinde bir işlem yapmadan önce motoru durdurun. Kesme donanımının tamamen durduğundan emin olun. Kabloyu bujiden ayırın.
- Bıçağın dişlerini doğru şekilde bileyenmiş biçimde tutun.



- Hasarlı kesme donanımı kullanmayın.
- Ürünü taşımadan veya depolamadan önce nakliye koruyucusunu bıçağa takın.

### Çim kesicilerin ve çim bıçaklarının bilenmesi

- Dengeyi korumak için çim kesicilerin ve çim bıçaklarının tüm kenarlarını eşit bir şekilde bileyin. Tek kesikli düz eğe kullanın.

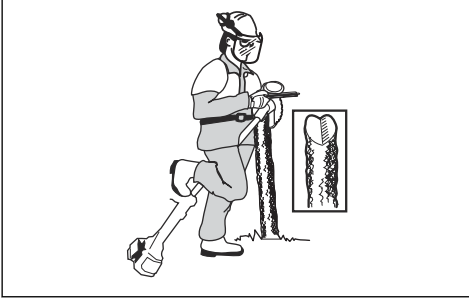


## Testere bıçağını bileyleme

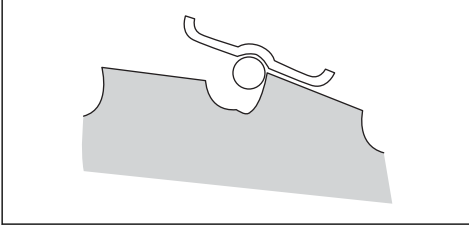


**UYARI:** Motoru durdurun. Koruyucu eldivenler kullanın.

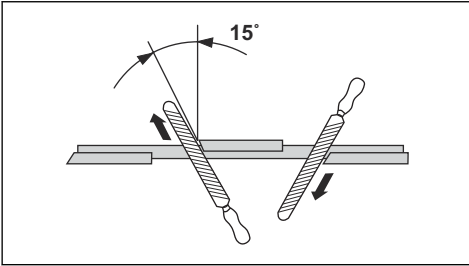
- Bıçağı düzgün bileylemek için bıçakla verilen talimatlara başvurun.
- Bıçağı bileylerken ürünün ve bıçağın yeterli desteği olduğundan emin olun.



- Eğe tutucusu olan 5,5 mm'lik (7/32 inç) yuvarlak eğe kullanın.



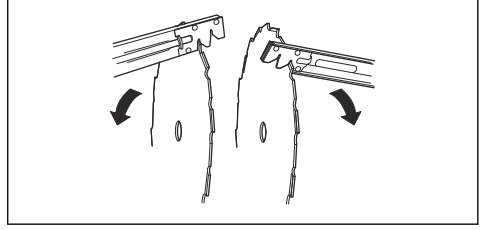
- Eğeyi 15°'lik bir açıda tutun.
- Testere bıçağının bir dişini sola, sonraki dişini sağa doğru bileyerek ilerleyin; çizime bakın.



**Not:** Bıçak çok aşınmışsa dişin kenarlarını düz bir eğeyle bileyin. Bileyleme işlemine yuvarlak eğeyle devam edin.

- Bıçağın dengeli olması için tüm kenarları eşit olarak bileyin.

- Bıçağın ayarını önerilen ayarlama aracıyla 1 mm (0,04 inç) olarak ayarlayın. Bıçakla verilen talimatlara başvurun.

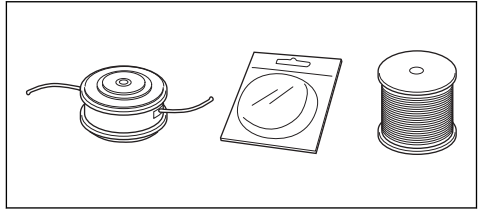


**UYARI:** Hasarlı bıçakları daima atın. Eğilmiş veya bükülmüş bir bıçağı düzeltip tekrar kullanmaya çalışmayın.

## Misina kafa



**UYARI:** Zararlı titreşimi önlemek amacıyla misinanın tamburun etrafına sıkıca ve düzgün şekilde sarıldığından mutlaka emin olun.



- Yalnızca tavsiye edilen misina kafalarını ve misinaları kullanın.
- Yalnızca önerilen kesme donanımlarını kullanın.
- Küçük makineler küçük misina kafalar gerektirir; büyük makineler ise büyük misina kafalar gerektirir.
- Misinanın uzunluğu önemlidir. Uzun misinalar, aynı çapta daha kısa misinalardan daha fazla motor gücü gerektirir.
- Biçme koruyucusu üzerindeki kesicinin sağlam olduğundan emin olun. Bu kesici, misinayı doğru uzunlukta kesmeye yarar.
- Kullanım ömrünü uzatmak için misinayı kullanmadan önce birkaç gün boyunca suda bekletin.

## Yakıt güvenliği

- Ürünün üzerinde yakıt veya motor yağı varsa ürünü çalıştırmayın. İstenmeyen yakıtı/yağı temizleyin ve ürünün kurumasını bekleyin. Üründeki istenmeyen yakıtı temizleyin.
- Kıyafetlerinize yakıt bulaşırsa kıyafetlerinizi hemen değiştirin.
- Vücudunuza yakıt bulaştırmayın; bu, yaralanmaya sebep olabilir. Vücudunuza yakıt bulaşırsa yakıtı temizlemek için su ve sabun kullanın.

- Ürüne ya da vücudunuza yağ veya yakıt dökerseniz motoru çalıştırmayın.
- Motorda sızıntı varsa ürünü çalıştırmayın. Motorda sızıntı olup olmadığını düzenli olarak kontrol edin.
- Yakıtta uğraşırken dikkatli olun. Yakıt yanıcı ve dumanlar patlayıcıdır; yaralanmalara veya ölüme sebep olabilir.
- Yaralanmaya sebep olabileceğinden yakıt dumanını solumayın. Yeterli hava akışı olduğundan emin olun.
- Yakıtın veya motorun yakınında sigara içmeyin.
- Yakıtın veya motorun yakınına sıcak nesnelere koymayın.
- Motor açıkken yakıt eklemeyin.
- Yakıtı yenilemeden önce motorun soğuduğundan emin olun.
- Yakıtı yenilemeden önce yakıt tankı kapağını yavaşça açın ve basıncı dikkatlice tahliye edin.
- Kapalı bir alanda motora yakıt eklemeyin. Nefessiz kalma veya karbon monoksit nedeniyle yeterli hava akışının olmaması yaralanmaya veya ölüme sebep olabilir.
- Yakıt tankı kapağını dikkatlice sıkın; aksi takdirde yangın çıkabilir.
- Çalıştırmadan önce ürünü, yakıt tankını doldurduğunuz konumdan en az 3 m (10 ft) uzağa taşıyın.

- Yakıt tankına çok fazla yakıt doldurmayın.
- Ürünü veya yakıt konteynerini taşıırken sızıntı olmadığından emin olun.
- Ürünü veya bir yakıt konteynerini açık ateşin, kıvılcımın veya pilot alevinin olduğu bir alana koymayın. Depolama alanında açık alev olmadığından emin olun.
- Yakıtı taşıırken veya depolarken yalnızca onaylı konteynerleri kullanın.
- Ürünü uzun süre saklamadan önce yakıt tankını boşaltın. Yakıtın nereye atılacağı konusunda yerel yasalara uyun.
- Ürünü uzun süre saklamadan önce temizleyin.
- Motorun kazara çalışmasını engellemek için ürünü saklamadan önce buji kablosunu çıkarın.

## Bakım için güvenlik talimatları

- Kesme donanımını durdurmak için rölantiyi ayarlayamıyorsanız servis merkeziyle görüşün. Ürün, doğru şekilde ayarlanana veya onarılanaya kadar ürünü kullanmayın.

## Montaj



**UYARI:** Ürünü monte etmeden önce güvenlik bölümünü okuyun.

### Giriş



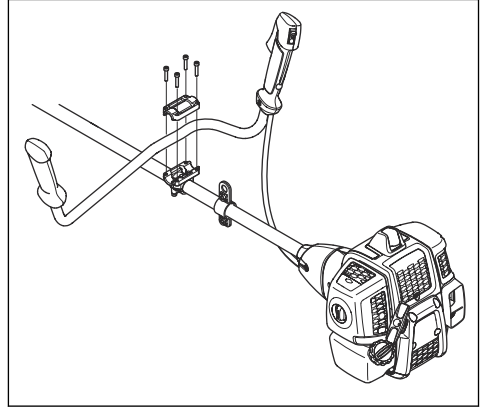
**UYARI:** Ürünü monte etmeden önce güvenlik bölümünü okuyup anlamalısınız.



**UYARI:** Ürünün montajını yapmadan önce buji kablosunu bujiden çıkarın.

## Tutma çubuğunun takılması

1. Tutma çubuğunu şekilde gösterildiği gibi montaj braketine takın.



## Bıçakların ve misina kafaların takılması



**UYARI:** Yalnızca onaylı bıçak siperliğini kullanın. Bkz. *Teknik veriler sayfa: 747*. Hasarlı bir siperlik yaralanmalara olabilir.

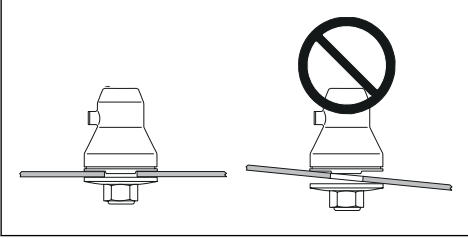


**UYARI:** Ürünü çim biçacağı ile kullanacaksanız önce doğru tutma çubuğunu, bıçak siperliğini ve kuşam askılığını takmalısınız.



**UYARI:** Bıçakların düzgün bir şekilde takılmaması yaralanmalara sebep olabilir.

1. Çalıştırma diski/destek flanşındaki çıkıntılı kısmın bıçakların orta deliklerine düzgün bir şekilde girdiğinden emin olun.
2. Bıçakları takın.



**Bıçak siperliği, çim biçacağı ve çim kesicinin takılması**

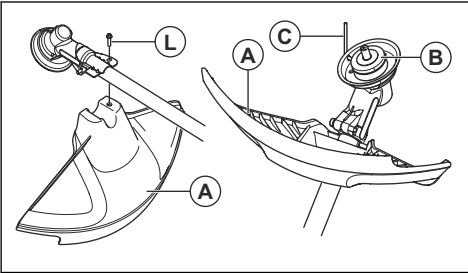


**DİKKAT:** Yalnızca onaylı bıçak siperliğini kullanın. Kullanım kılavuzuna bakın.



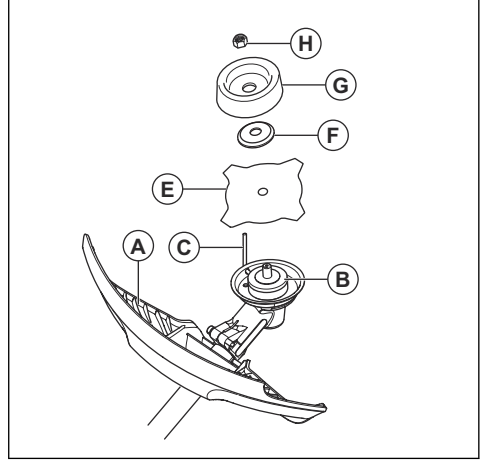
**DİKKAT:** Siperliğin uzatma parçasının çıkarıldığından emin olun.

1. Bıçak siperliğini/kesme ataşmanı siperliğini (A) milin üstüne takın ve civata (L) ile sıkın.



2. Çalıştırma diskini (B) çıkış milinin üzerine takın.
3. Çalıştırma diskindeki deliklerden birisi dışli kovanındaki ilgili delikle hizalanıncaya kadar çıkış milini döndürün.
4. Kilit pimini (C) deliğe geçirerek mili kilitleyin.
5. Bıçağı (E), destek flanşını (F) ve destek manşetini (G) çıkış mili üzerine yerleştirin.

6. Somunu (H) takın. İngiliz anahtarının milini bıçak siperliğine olabildiğince yakın tutun. Somunu sıkarak İngiliz anahtarını dönme yönünün tersine doğru döndürmelisiniz. Somunu 35-50 Nm (3,5-5 kpm) tork ile sıkın.

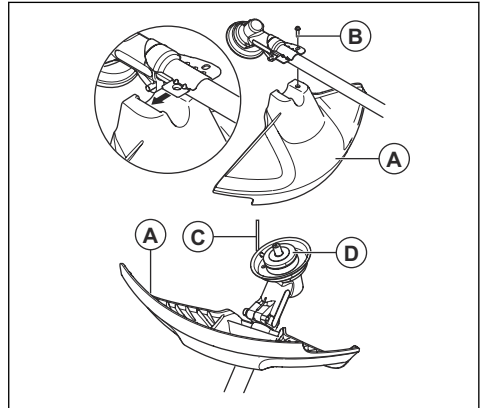


**Not:** Soldan dışlı.

**Bıçme siperliğinin ve misina kafanın takılması**

**Not:** Doğru misina kafa için doğru bıçme koruyucusunu kullandığınızdan emin olun.

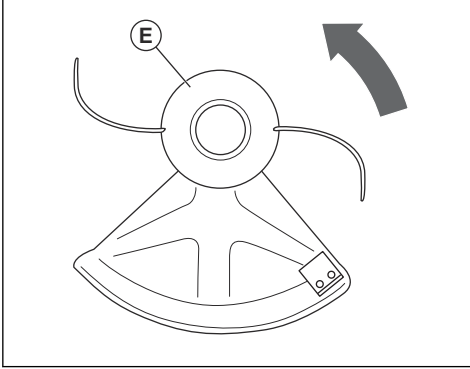
1. Misina kafa için doğru bıçme koruyucusu/ kombine siperliği (A) takın.
2. Bıçme siperliğini/kombine siperliği milin etrafına takın ve civata (B) ile sıkın. Kilit pimini veya alyan anahtarını (C) kullanın.



3. Kilit pimini veya alyan anahtarını (C) vida başındaki oyuya yerleştirin ve sıkın.
4. Çalıştırma diskini (D) çıkış miline takın.



5. Çalıştırma diskindeki deliklerden biri, dişli kovanındaki delikle hizalanıncaya kadar çıkış milini döndürün.
6. Kilit pimini veya alyan anahtarını (C) deliğe takarak mili kilitleyin.
7. Misina kafayı/plastik bıçakları (E) monte edin. Misina kafayı/plastik bıçakları saat yönünün tersine döndürün.



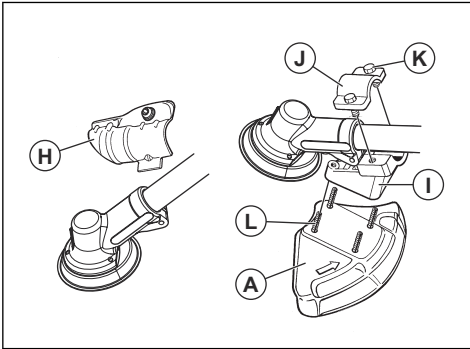
8. Sökmek için talimatları tersten uygulayın.

### Bıçak siperliği ve testere bıçağının takılması



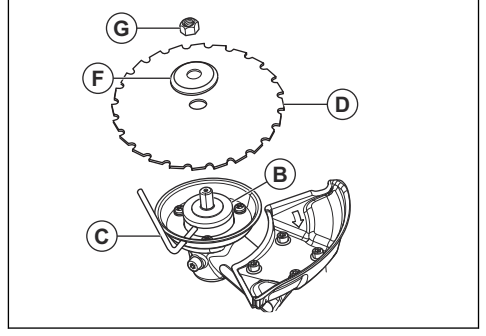
**DİKKAT:** Yalnızca onaylı bıçak siperliğini kullanın. Bkz. *Teknik veriler sayfada: 747.*

1. Montaj plakasını (H) sökün.
2. İki vidayı (K) kullanarak adaptörü (I) ve braket (J) takın.
3. 4 vidayı (L) kullanarak bıçak siperliğini (A) adaptöre takın.



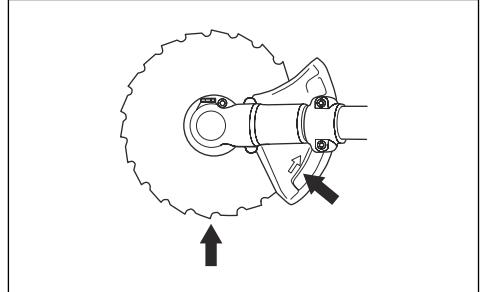
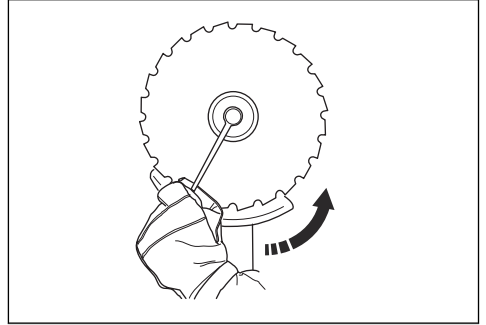
4. Çalıştırma diskini (B) çıkış milinin üzerine takın.
5. Çalıştırma diskindeki deliklerden biri dişli kovanındaki ilgili deliğe denk gelinceye kadar bıçak milini döndürünüz.
6. Kilit pimini (C) deliğe geçirerek mili kilitleyiniz.

7. Bıçağı (D) ve destek flanşını (F) çıkış miline yerleştirin.
8. Somunu (G) takın. Somun, 35-50 Nm (3,5-5 kpm) torkla sıkılmalıdır. Alet takımındaki soket anahtarını kullanınız. İngiliz anahtarının milini bıçak koruyucusuna mümkün olduğu kadar yakın tutunuz. Somunu sıkamak için İngiliz anahtarını dönme yönünün tersine çevirin.



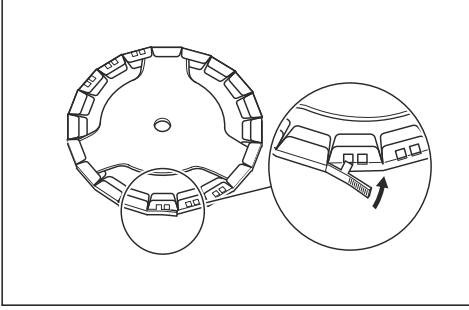
**Not:** Soldan dışı.

9. Testere bıçağı somununu gevşetirken ve sıkarken testere bıçağının dişleri yaralanmaya neden olabilir. Bu yüzden her zaman elinizin bıçak siperliği tarafından korunduğundan emin olun. Her zaman bunu yapabileceğiniz uzunlukta bir sapı olan soket anahtarı kullanın. Şemadaki ok, gevşetirken veya sıkarken soket anahtarını hangi alanda kullanmanız gerektiğini gösterir.



## Nakliye koruyucusunun takılması

1. Nakliye koruyucusunu resimde gösterilen şekilde bıçağın üzerine takın.



## Kuşam askılığın ayarlanması

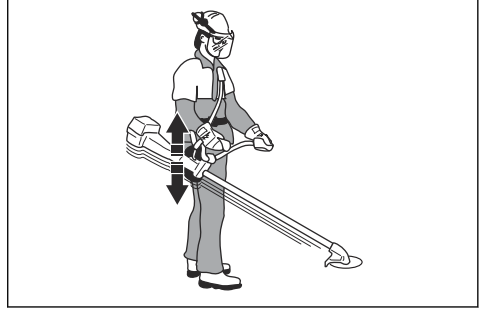


**UYARI:** Ürün, kuşam askılığa mutlaka doğru bir şekilde takılmış olmalıdır. Aksi takdirde ürünü güvenli şekilde kontrol edemez ve kendinizi veya başkalarını yaralayabilirsiniz. Arızalı kuşam askılık kullanmayın. Çabuk çıkartma düğmesi bozuk olan bir taşıma askısını kullanmayın.

1. Taşıma askısını takınız.
2. Ürünü kuşam askılığa takın.
3. Kuşam askılığı en uygun çalışma konumuna ayarlayın.
4. Ürün ağırlığının omuzlarınıza eşit dağılması için yan kayışları ayarlayın.



5. Kuşam askılığı, kesme donanımı yere paralel olacak şekilde ayarlayın.



6. Kesme donanımını hafifçe yere bırakın. Ürünü düzgün bir şekilde dengelemek için kuşam askılık kelepçesini ayarlayın.

**Not:** Çim bıçağı kullanıyorsanız yerin yaklaşık 10 cm/4 inç üzerinde dengelenmelidir.

## Kullanım



**UYARI:** Ürünü kullanmadan önce güvenlik bölümünü okuyup anlayın.

### Giriş



**UYARI:** Ürünü kullanmadan önce güvenlik bölümünü okuyup anlamalısınız.

### Yakıt

Bu üründe iki zamanlı motor bulunur.



**DİKKAT:** Yanlış tür yakıtın kullanımı motor hasarına neden olabilir. Benzin ve iki zamanlı motor yağı karışımı kullanın.

## Hazır yakıt karışımı

- Motorun en iyi performansı göstermesi ve motor ömrünün uzaması için McCulloch hazır alkilat yakıt kullanın. Zararlı egzoz dumanını azaltan bu yakıt, normal yakıta kıyasla daha az zararlı kimyasal içerir. Bu yakıt yanma sonrası daha az kalıntı bıraktığından, motor bileşenlerini daha temiz tutar.

## Yakıtın karıştırılması

### Benzin

- Maksimum %10 etanol içerikli iyi kalite kurşunsuz benzin kullanın.



**DİKKAT:** Oktan oranı 90 RON/87 AKİ değerinin altında olan benzin kullanmayın. Daha düşük oktanlı benzinin kullanılması motorda vuruntuya ve hasarlara neden olabilir.

### İki zamanlı yağ

- En iyi sonuçlar ve performans için McCulloch iki zamanlı yağ kullanın.
- McCulloch iki zamanlı yağ yoksa hava soğutmalı motorlar için iyi kalitede başka bir iki zamanlı yağ kullanın. Doğru yağı seçmek için servis bayinizle iletişime geçin.



**DİKKAT:** Su soğutmalı dış motorlar için olan ve dış yağ olarak da bilinen iki zamanlı yağı kullanmayın. Dört zamanlı motor yağlarını kullanmayın.

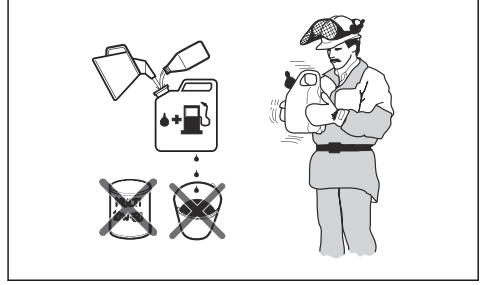
### Benzinle iki zamanlı yağı karıştırma

Benzin, litre	İki zamanlı yağ, litre
	%2 (50:1)
5	0,10
10	0,20
15	0,30
20	0,40
ABD galonu	ABD fl. oz.
1	2 ½
2 1/2	6 ½
5	12 ½



**DİKKAT:** Az miktarda yakıt karıştırırken yapılan küçük bir hata, karışımın oranını büyük ölçüde etkileyebilir. Doğru karışımı

elde ettiğinizden emin olmak için yağ miktarını dikkatli bir şekilde ölçün.



- Benzinin yarısını temiz bir yakıt kabına doldurun.
- Yağ miktarının tümünü ekleyin.
- Yakıt karışımını çalkalayın.
- Kalan benzin kaba ekleyin.
- Yakıt karışımını dikkatlice çalkalayın.



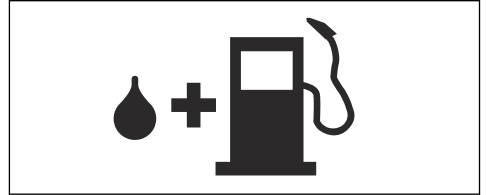
**DİKKAT:** Tek seferde 1 ayıktan fazla yakıt karıştırmayın.

## Yakıt tankını doldurma



**UYARI:** Güvenliğiniz için aşağıdaki prosedüre uyun.

- Motoru durdurun ve soğumasını bekleyin.
- Yakıt tankı kapağının çevresini temizleyin.



- Kabı sallayın ve yakıtın iyice karıştığından emin olun.
- Basıncı tahliye etmek için yakıt tankı kapağını yavaşça çıkarın.
- Yakıt tankını doldurun.



**DİKKAT:** Yakıt tankında çok fazla yakıt olmadığından emin olun. Yakıt ısındığında genişler.

- Yakıt tankının kapağını dikkatlice sıkın.
- Ürünün üzerindeki ve çevresindeki yakıt kalıntılarını temizleyin.

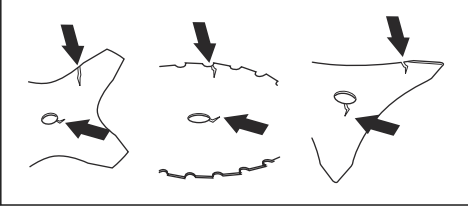
8. Motoru çalıştırmadan önce ürünü yakıt ikmali alanından ve yakıt kaynağından en az 3 m/10 ft uzaklaştırın.

**Not:** Yakıt tankının ürününüzün neresinde olduğunu görmek için bkz. *Ürüne genel bakış sayfa: 726.*

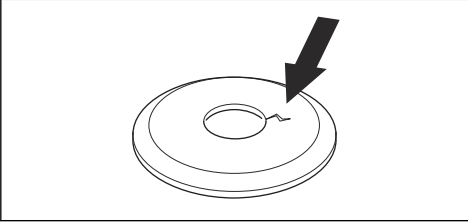
## Çalıştırma ve durdurma

### Ürünü çalıştırmadan önce

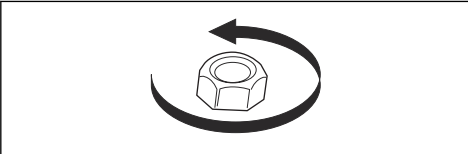
- Araziyi tanımak, zeminin eğimini öğrenmek ve taş, dal veya çukur gibi engeller olup olmadığını anlamak için çalışma alanını inceleyin.
- Ürünü genel olarak gözden geçirin.
- Bu kılavuzda verilen güvenlik muayenelerini, bakımı ve servisi yapın.
- Kesme donanımındaki tüm kapakların, siperliklerin ve tutacakların doğru şekilde takıldığını ve hasarsız olduğundan emin olun.
- Testere bıçağının alt kısmında ya da çim bıçağının dişlerinde veya bıçağın orta deliğinde çatlak olmadığından emin olun. Hasarlıysa bıçağı değiştirin.



- Destek flanşlarında çatlak olup olmadığına bakın. Hasarlıysa destek flanşını değiştirin.

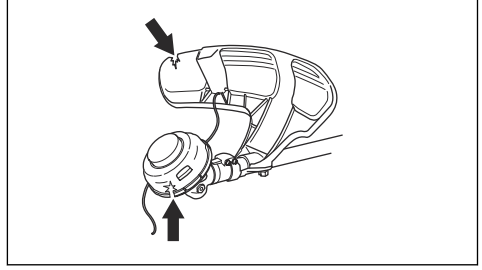


- Kilitleme somununun elle sökülemediğinden emin olun. Sökülebiliyorsa kesme donanımını yeterince sıkı tutmuyordur ve değiştirilmelidir.



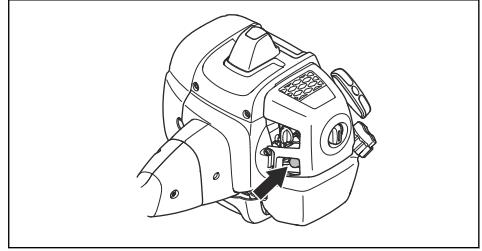
- Bıçak siperliğinde hasar veya çatlak olup olmadığına bakın. Bıçak siperliği darbe almışsa veya çatlaksa değiştirin.

- Misina kafada ve kesme donanımı siperliğinde hasar veya çatlak olup olmadığına bakın. Misina kafa ve kesme donanımı darbe almışsa veya çatlaksa bunları değiştirin.

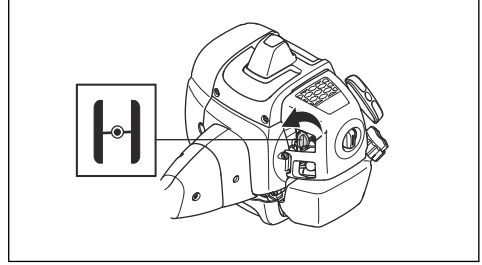


### Motorun çalıştırılması

- Ürünü düz ve sabit bir yüzeye yerleştirin. Kesme ataşmanını yerden uzak tutun.
- Yakıt hazneye dolmaya başlayana kadar yakıt pompası diyaframı haznesini tekrar tekrar itin. Yakıt pompası diyaframı haznesini tamamen doldurmak gerekmez.

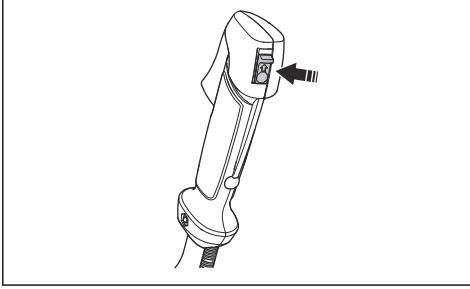


- Jikle kolunu jikle konumuna getirin.

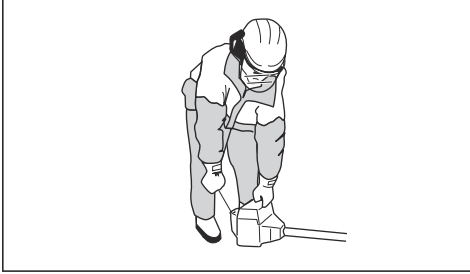


**UYARI:** Motoru jikleyle çalıştırdığınızda kesme donanımı hemen dönmeye başlar.

4. Çalıştırma/durdurma anahtarını ÇALIŞTIRMA konumuna getirin.



5. Sol elinizle ürünün gövdesini zeminin üzerinde tutun.



6. Çalıştırma ipinin kolunu sağ elinizle tutun.  
7. Hafif bir direnç hissedene kadar sağ elinizle çalıştırma ipini yavaşça çekin.



**UYARI:** Çalıştırma ipini elinize dolamayın.

8. İpi hızlı ve güçlü bir şekilde çekin. Çalıştırma ipini motor çalışıncaya kadar tekrar tekrar çekin.

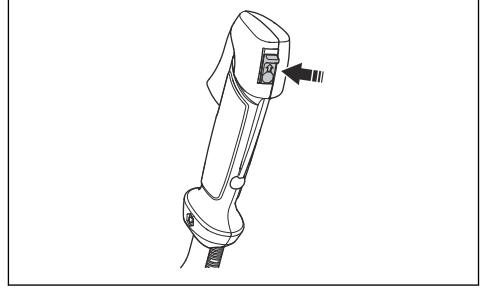


**DİKKAT:** Çalıştırma ipini tamamen dışarı çekmeyin ve çalıştırma ipi tamamen dışarı çekilmiş durumdayken çalıştırma ipi kolunu bırakmayın. Bu, üründe hasara neden olabilir.

9. Motor ateşlediğinde jikleji sıfırlayın.  
10. Motor çalıştığında gazı kademeli olarak çalıştırın.  
11. Motorun sorunsuz çalıştığından emin olun ve kullanmadan önce motorun 1-2 dakika ısınmasını bekleyin.

## Ürünü durdurma

- Motoru durdurmak için durdurma anahtarına basın.



## Bıçak sekmesi

- Bıçak sekmesi, ürünün aniden yanlara, öne veya arkaya doğru hareket etmesidir. Çim bıçağı, kesilemeyen bir nesneye çarptığı zaman bıçak saplanması meydana gelir. Kesilen malzemeyi görmenin kolay olmadığı alanlarda bıçak sekmesi riski artar.
- Bıçak sekmesi, ürünün veya operatörün bulunduğu konumdan savrulmasına neden olabilir. Hareket eden bir bıçak etrafta duranlara çarpabilir ve yaralanma riski doğurur.
- Bıçak bükülmüş, çatlak, kırık veya hasarlıysa bıçağı çıkarın.
- Keskin bir bıçak kullanın. Bıçağın keskin olmaması bıçak sekmesi riskini artırır.

## Genel çalışma talimatları



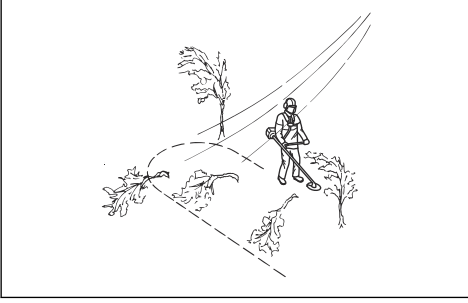
**UYARI:** Gerilimde olan bir ağacı keserken dikkatli olun. Ağaç kesme işleminden önce veya sonra normal konumuna geri çekilebilir ve size veya ürüne çarparak yaralanmaya neden olabilir.

- Çalışma bölgesinin bir ucunda açık bir alan oluşturun ve çalışmaya buradan başlayın.
- Bölgede dikdörtgen bir desenle ilerleyin.



- Her seferde 4-5 m genişliğinde bir alanı temizlemek için ürünü tamamen sağa veya sola doğru hareket ettirin.

- Dönüp geri gitmeden önce 75 m uzunluğunda bir alanı temizleyin. İşinize devam ederken yakıt bidonunu da beraberinizde hareket ettirin.
- Gereksiz yere çukur veya engellerden geçmek zorunda kalmayacağınız bir yönde hareket edin.
- Rüzgarın kesilen yeşilliği temizlenen alana götüreceği yönde hareket edin.



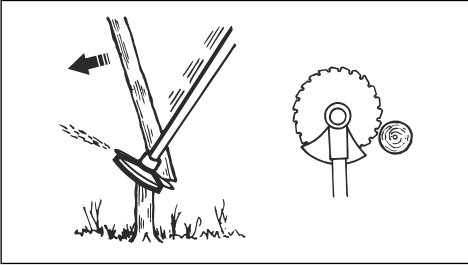
- Eğimlerde yukarı aşağı değil eğim boyunca hareket edin.

## Testere bacağıyla orman temizleme

### Ağacı sol tarafa devirme

Ağacı sol tarafa devirmek için ağacın alt kısmını sağa doğru itin.

1. Tam gaz uygulayın.
2. Testere bacağına ağaca resimde gösterildiği gibi dayayın.
3. Testere bacağına eğin ve çaprazlama sağ aşağı tarafa doğru kuvvetle itin. Aynı zamanda ağacı da bıçak siperliği ile itin.

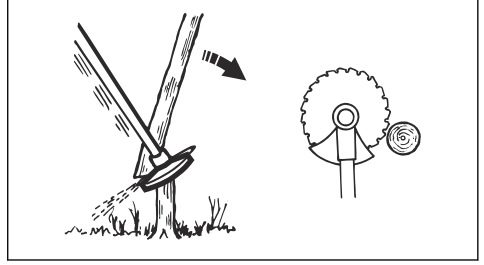


### Ağacı sağ tarafa devirme

Ağacı sağ tarafa devirmek için ağacın alt kısmını sola doğru itin.

1. Tam gaz uygulayın.
2. Testere bacağına ağaca resimde gösterildiği gibi dayayın.

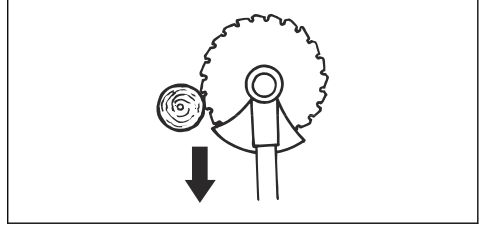
3. Testere bacağına eğin ve çaprazlama sağ yukarı tarafa doğru kuvvetle itin. Aynı zamanda ağacı da bıçak siperliği ile itin.



### Ağacı ileri doğru devirme

Ağacı ileri doğru devirmek için ağacın alt kısmını arkaya doğru itin.

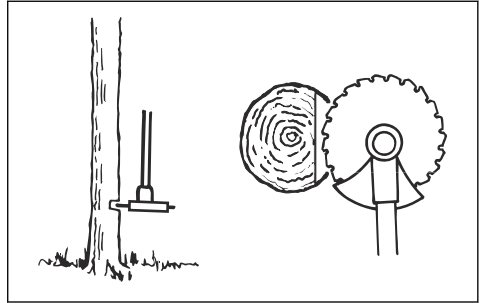
1. Tam gaz uygulayın.
2. Testere bacağına ağaca resimde gösterildiği gibi dayayın.
3. Testere bacağına hızlı bir hareketle geriye çekin.



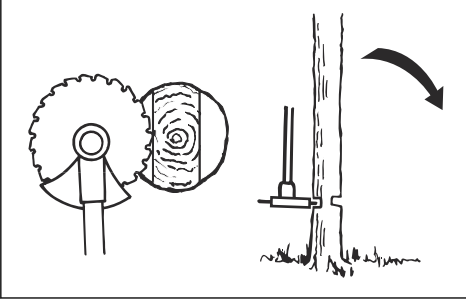
### Büyük ağaçları devirme

Büyük ağaçların 2 taraftan kesilmesi gerekir.

1. Ağacın hangi yöne doğru devrileceğini inceleyin.
2. Tam gaz uygulayın.
3. İlk kesmeyi ağacın devrileceği yöndeki tarafına uygulayın.



#### 4. Öteki taraftan ağacın içine doğru kesin.



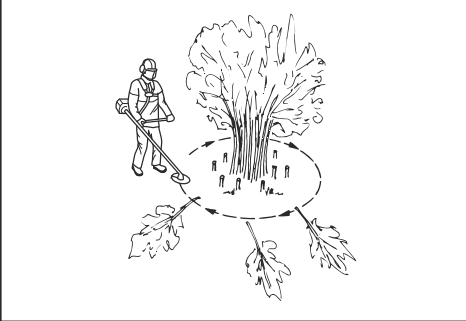
**DİKKAT:** Testere bıçağı bir engele takılırsa ürünü ani bir hareketle çekmeyin. Testere bıçağı, ayna dişli, mil veya gidon hasar görebilir. Tutacakları serbest bırakın, mili 2 elinizle tutun ve ürünü dikkatli bir şekilde çekin.

**Not:** Küçük ağaçları devirmek için daha fazla kesme basıncı uygulayın. Büyük ağaçları devirmek için daha az kesme basıncı uygulayın.

### Testere bıçağıyla çalı kesme

Ağacı sol tarafa devirmek için ağacın alt kısmını sağa doğru itin.

- İnce ağaçları ve çalları kesin.
- Ürünü yanlamasına hareket ettirin.
- Tek bir hareketle olabildiğince çok ağacı kesmeye çalışın.
- İnce ağaç grupları için:



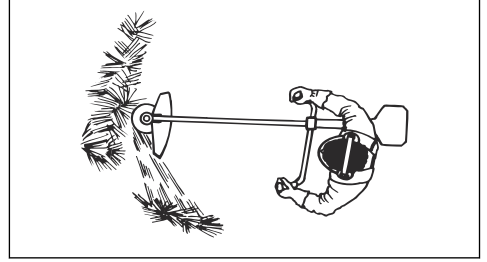
- a) Dıştaki ağaçları yukarıdan kesin.
- b) Dıştaki ağaçları doğru yüksekliğe kadar kesin.
- c) Ortadan kesin. Ortaya erişemiyorsanız dıştaki ağaçları yukarıdan kesip düşürün. Bu, testere bıçağının takılma riskini azaltır.

### Çimin çim bıçağıyla temizlenmesi



**DİKKAT:** Ağaçlarda çim bıçağı kullanmayın. Uzun veya kalın çimler için sadece çim bıçağı kullanın.

- Ürünü yanlamasına hareket ettirin.
- Keserken harekete sağdan sola doğru başlayın. Tekrar kesmeden önce ürünü sağa getirin.
- Çim bıçağının sol tarafıyla kesin.

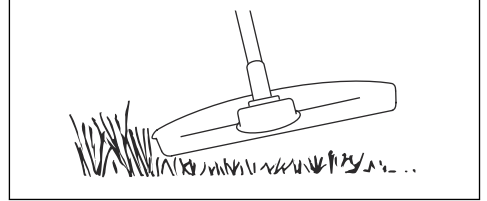


- Kesilen çimin düzgün bir hatta düşmesi için çim bıçağını sola doğru eğin. Bu şekilde çim daha kolay toplanır.
- Ayaklarınızı birbirinden ayırarak dengede durun.
- Sağa doğru her hareketten sonra ilerleyip tekrar kesmeden önce dengeyi yeniden sağlayın.
- Çim bıçağının yere çarpmaması için destek manşetini hafif basınç uygulayarak zemine dayalı tutun.
- Kesilen yeşilliğin çim bıçağının çevresinde dolanma riskini azaltmak için aşağıdaki talimatlara uyun:
  - a) Tam gaz uygulayın.
  - b) Ürünü soldan sağa getirirken çim bıçağını kesilen yeşilliğin içinden geçirmeyin.
- Kesilen yeşilliği toplamadan önce motoru durdurun ve ürünü kuşam askılıktan çıkarın. Ürünü yere koyun.

### Misina kafayı kullanarak çimin biçilmesi

#### Çim düzeltme

1. Misina kafayı zemin yüzeyinin hemen üstünde bir açı ile tutun. Misinayı çime bastırmayın.



2. Misina uzunluğunu 10-12 cm/4-4,75 inç kısaltın.
3. Bitkilere zarar verme riskini azaltmak için motor devrini düşürün.

4. Nesnelerin yakınında çim keserken %80 oranında gaz kullanın.



### Çimi temizleme

1. Misina kafayı zeminin üzerinde tutun.
2. Misina kafayı eğin.
3. Çalışma alanında nesnelerin etrafında misinanın ucuyla kesin.

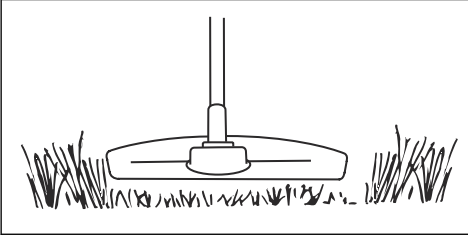


**DİKKAT:** Çimi kesin. Misinanın çarptığı diğer nesneler, misinanın yıpranmasını hızlandırır.

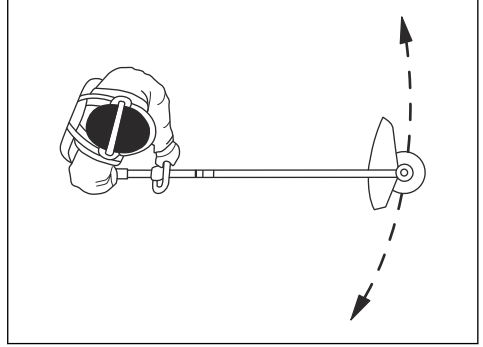
4. Bitkileri keserken ve temizlerken %80 hız kullanın. Bu, misina kafanın ve misinanın yıpranmasını azaltır.

### Çim kesme

1. Çimi keserken misinanın zemine paralel olduğundan emin olun.



2. Misina kafayı zemine bastırmayın. Bu, üründe hasara neden olabilir.
3. Çimi keserken ürünü yanlamasına hareket ettirin. Tam hızı kullanın.



### Çimi temizleme

Dönen misinadan gelen hava akışı kesilen çimi bölgeden kaldırmak için kullanılabilir.

1. Misina kafayı ve misinayı yere paralel ve yerden yukarıda tutun.
2. Tam gaz uygulayın.
3. Misina kafayı yanlamasına hareket ettirerek çimi süpürün.



**UYARI:** Her yeni misina taktığınızda, dengenin bozulmasını ve tutacaklarda titreşimi önlemek için misina kafa kapağını temizleyin. Ayrıca misina kafanın diğer taraflarını da kontrol edip gerekirse temizleyin.

## Bakım

### Giriş



**UYARI:** Ürün üzerinde bakım yapmadan önce güvenlik bölümünü okuyup anlayın.

### Bakım takvimi

Bakım	Günlük	Haftalık olarak	Aylık olarak
Dış yüzeyi temizleyin.	X		
Kuşam askılıkta hasar olup olmadığını kontrol edin.	X		



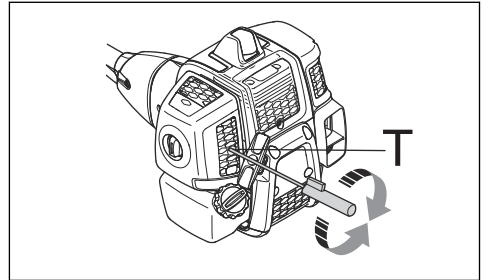
Bakım	Günlük	Haftalık olarak	Aylık olarak
Gaz tetiği kilidini ve gaz tetiğini kontrol edin. Bkz. <i>Gaz tetiği kilidini kontrol etme sayfada: 730.</i>	X		
Tutma yerinde ve gidonda hasar olup olmadığına bakın ve bunların doğru takıldığından emin olun.	X		
Durdurma anahtarını kontrol edin. Bkz. <i>Durdurma anahtarını kontrol etme sayfada: 731.</i>	X		
Rölantideyken kesme donanımının dönmediğinden emin olun.	X		
Hava filtresini temizleyin. Hasarlıysa değiştirin.	X		
Kesme donanımı siperliğinde hasar veya çatlak olup olmadığına bakın.	X		
Testere bıçağı veya çim bıçağının doğru şekilde takıldığından emin olun. Testere bıçağı veya çim bıçağının keskin ve hasarsız olduğundan emin olun.	X		
Misina kafada hasar veya çatlak olup olmadığına bakın. Hasarlıysa değiştirin.	X		
Kesme donanımı kilitleme somununu bir kilitleme somunuyla tamamen sıkın.	X		
Taşıma siperliğinde hasar olup olmadığına bakın ve siperliğin doğru şekilde takılabildiğinden emin olun.	X		
Somun ve vidaları sıkın.	X		
Motorda, yakıt tankında ve yakıt hatlarında kaçak olup olmadığına bakın.	X		
Marş motorunda ve marş ipinde hasar olup olmadığına bakın.		X	
Bujiyi kontrol edin. Bkz. <i>Bujinin kontrol edilmesi sayfada: 747.</i> Gerekirse bujiyi değiştirin. Bujiye bir parazit gidericinin takılı olduğundan emin olun.		X	
Karbüratörün dış yüzeyini ve etrafındaki bölgeyi temizleyin.		X	
Ayna dişlinin, doğru şekilde gresle doldurulduğundan emin olun. Bkz. <i>Ayna dişli sayfada: 747.</i>		X	
Yakıt filtresinin kirliliğinden veya yakıt hortumunda çatlak ya da başka kusurlar bulunmadığından emin olun. Gerekirse değiştirin.			X
Tüm kabloları ve bağlantıları kontrol edin.			X
Bujiyi değiştirin. Bujiye bir parazit gidericinin takılı olduğundan emin olun.			X

## Rölantinin ayarlanması

Yüksek hız iğnesi ve düşük hız iğnesi kalıcı olarak belirlenmiştir ve ayarlama yapılamaz. Rölanti devri, ayarlanabilen tek işlevdir.

1. Motoru çalıştırın ve rölanti devrini ayarlamaya başlamadan önce motorun sıcak olduğundan emin olun.

2. Kesme ataşmanı dönmeye başlayana kadar rölanti vidasını saat yönünde çevirin.



3. Kesme ataşmanı durana kadar rölanti vidasını saat yönünün tersine çevirin.

4. Rölanti hızının kesme donanımının dönmeye başladığı hızdan düşük olması gerekir. Motorun her konumda sorunsuz çalışması rölantinin doğru ayarlandığı anlamına gelir.

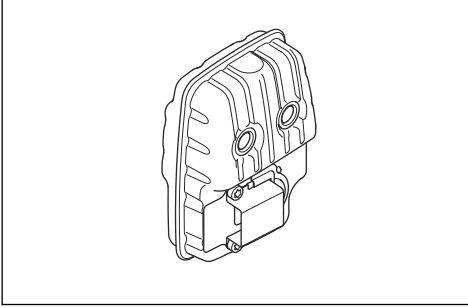
## Susturucuda bakım yapma

Susturucu, gürültü seviyesini azaltır ve egzoz gazlarını operatörden uzağa yönlendirir.

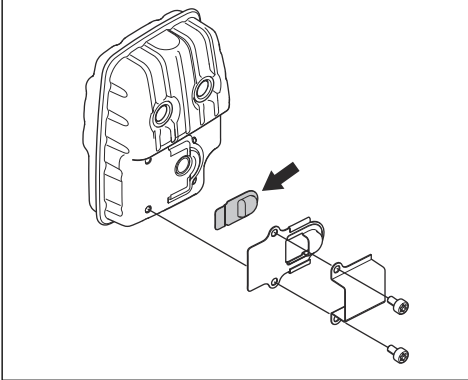


**UYARI:** Katalitik dönüştürücüye sahip susturucular çalışma sırasında çok ısınır ve ürünü durdurduktan sonra bir süre sıcak kalırlar. Bu ayrıca rölanti hızı için de geçerlidir. Ürüne dokunursanız ciltte yanıklara neden olabilir. Yangın riskini de göz önünde bulundurun.

1. Ürünü durdurun ve soğumasını bekleyin.
2. Susturucuyu çıkarın.



3. Kıvılcım önleyici siperliği tutan vidaları çıkarın.



4. Kıvılcım önleyici siperlik tıkalıysa temizleyin veya hasarlıysa değiştirin.



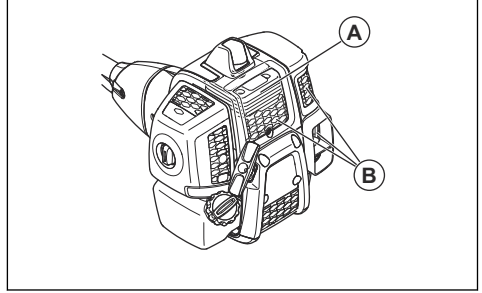
**DİKKAT:** Kıvılcım önleyici siperlik hasarlıysa değiştirilmelidir. Susturucunun üzerinde kıvılcım önleyici siperlik yoksa veya siperlik arızalıysa ürünü kullanmayın.



**DİKKAT:** Kıvılcım önleyici siperlik sık sık tıkanıyorsa bu durum katalitik konvertör performansının azaldığının bir göstergesi olabilir. Susturucuyu kontrol ettirmek için servis bayinizle iletişime geçin. Kıvılcım önleyici siperliğin tıkanması aşırı ısınmaya ve dolaylı olarak silindirin ve pistonun zarar görmesine neden olur.

## Soğutma sisteminde temizlik/bakım işlemleri gerçekleştirme

Bu üründe bir soğutma sistemi bulunur. Soğutma sisteminin kirliliği veya tıkanmış olması, ürünün aşırı ısınmasına ve dolaylı olarak pistonun ve silindirin zarar görmesine neden olabilir. Haftada bir kez veya zorlu koşullarda daha kısa aralıklarla soğutma sistemini kontrol edin ve bir fırça ile temizleyin. Soğutma sisteminde silindir (A) ve hava girişi (B) üzerindeki soğutma kanatları bulunur.



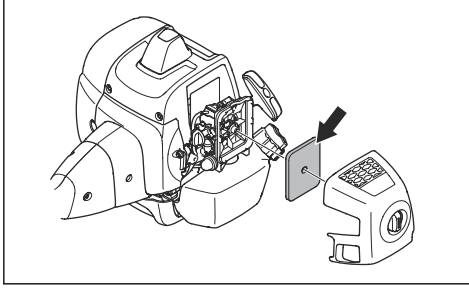
## Hava filtresi

Kirli bir hava filtresi karbüratörün arızalanmasına, marş sorunlarına, motor gücünde kayba ve motor parçalarında aşınmaya neden olabilir. Bu ayrıca motorun gerektiğinden daha fazla yakıt kullanmasına da yol açar. Filtreyi 8 saatte bir veya ürün tozlu bir ortamda çalıştırılıyorsa daha sık temizleyin.

**Not:** Hava filtresi temizlendiğinde veya değiştirildiğinde motorda ayar yapılması gerekir. Bkz. Rölantinin ayarlanması sayfa: 745.

## Hava filtresinin temizlenmesi ve kontrol edilmesi

1. Hava filtresini çıkarın.



2. Keçe hava filtresini basınçlı havayla temizleyin.

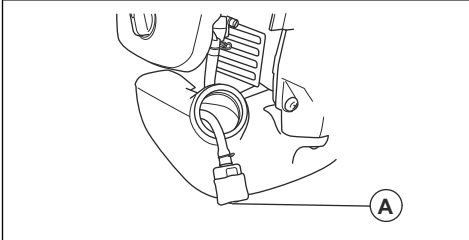


**DİKKAT:** Tamamen temizlenemiyorsa keçe hava filtresini değiştirin. Hasar görmüş keçe hava filtresini daima değiştirin.

3. Hava filtresi kapağının iç yüzeyini temizleyin. Basınçlı hava veya bir fırça kullanın.

## Yakıt filtresi

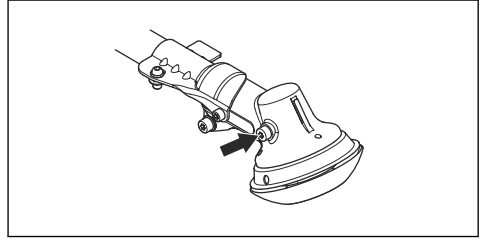
Motora giden yakıt azalır, yakıt tankı kapağındaki hava deliğinin ve yakıt filtresinin (A) temiz olduğundan emin olun.



## Ayna dişli

Ayna dişli fabrikada doğru miktarda yağ ile doldurulur. Ancak ürünü kullanmadan önce ayna dişlinin 3/4'ünün

gresle dolu olduğundan emin olun. McCulloch özel gresini kullanın.



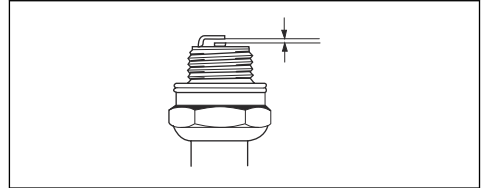
Ayna dişli onarılmadığı sürece ayna dişlideki gres yağının değiştirilmesi gerekmez.

## Bujinin kontrol edilmesi



**DİKKAT:** Daima önerilen tipte buji kullanın. Yanlış buji türü ürüne zarar verebilir.

- Motor gücü düşükse, çalıştırılması kolay değilse veya rölantide düzgün bir şekilde çalışmıyorsa bujiyi kontrol edin.
- Buji elektrotlarında istenmeyen nesne riskini azaltmak için şu talimatlara uyun:
  - a) Rölanti hızının doğru ayarlandığından emin olun.
  - b) Yakıt karışımının doğru olduğundan emin olun.
  - c) Hava filtresinin temiz olduğundan emin olun.
- Buji kirliyse temizleyin ve elektrot boşluğunun doğru olduğundan emin olun, bkz. *Teknik veriler sayfa: 747.*



- Gerekirse bujiyi değiştirin.

## Teknik veriler

	B40 B Elite	B40 BT Elite
<b>Motor</b>		
Silindir hacmi, cm <sup>3</sup>	40,1	40,1
Silindir çapı, Ø mm	40,5	40,5
Silindir strok uzunluğu, mm	31,1	31,1
Rölanti, dev/dak	3000	3000

	B40 B Elite	B40 BT Elite
Önerilen maksimum devir, dev/dk.	12000	12000
Çıkış milinin devri, dev/dk.	8220	8220
Maks. motor çıkışı, ISO 8893'e göre, dev/dak'da kW	9000'de 1,5	9000'de 1,5
<b>Ateşleme Sistemi</b>		
Buji	NGK CMR7H-10	NGK CMR7H-10
Elektrot boşluğu, mm	0,9-1,0	0,9-1,0
<b>Yakıt ve yağlama sistemi</b>		
Üretici/karbüratör tipi	Ruixing H225D-	Ruixing H225D-
Yakıt deposu kapasitesi, l/cm <sup>3</sup>	1/1000	1/1000
<b>Ağırlık</b>		
Yakıt, kesme donanımı ve siperlik olmadan, kg	7,3	7,4
<b>Gürültü yayma<sup>82</sup></b>		
Ses gücü seviyesi, ölçülen dB(A)	112	112
Garanti edilen ses gücü düzeyi, L <sub>WA</sub> dB(A)	118	118
<b>Ses seviyeleri<sup>83</sup></b>		
EN ISO 11806 ve ISO 22868'e göre ölçülen operatör kulağında eşdeğer ses basıncı seviyesi, dB (A), min./maks.		
Misina kafayla (orijinal) donatılmış	100	100
Çim bıçağıyla (orijinal) donatılmış	99	99
Testere bıçağıyla (orijinal) donatılmış	–	99
<b>Titreşim seviyeleri<sup>84</sup></b>		
EN ISO 11806 ve ISO 22867 doğrultusunda, tutma yerlerinde ölçülen eşdeğer titreşim seviyeleri (a <sub>hv,eq</sub> ), m/sn <sup>2</sup>		
Misina kafasıyla (orijinal) donatılmış, sol / sağ	3,4/4,4	3,4/4,4
Çim bıçağıyla (orijinal) donatılmış, sol / sağ	5,2/5,1	5,2/5,1
Testere bıçağıyla (orijinal) donatılmış, sol / sağ	–	4,5/4,2

B40 B Elite, B40 BT Elite		
Onaylı aksesuarlar	Tip	Kesme donanımı siperliği, Ürün no.
Bıçakların/kesicilerin orta deliği, Ø 25,4 mm		

<sup>82</sup> 2000/14/AT sayılı AT direktifi uyarınca ses gücü (L<sub>WA</sub>) olarak çevrede ölçülen gürültü yayma seviyesi. Makine için bildirilen ses seviyesi, en yüksek seviyeyi veren orijinal kesme donanımıyla ölçülmüştür. Garanti edilen ve ölçülen ses düzeyi arasındaki fark, garantili ses gücünün 2000/14/AT Sayılı Direktif doğrultusunda ölçüm sonucundaki dağılımı ve aynı modelden farklı makineler arasındaki değişimleri de içermesidir.

<sup>83</sup> Eşdeğer ses basıncı seviyesi için bildirilen verilerdeki tipik istatistik dağılımı (standart sapma) 1 dB (A) şeklindedir.

<sup>84</sup> Titreşim seviyesi için bildirilen verilerin tipik istatistik dağılımı (standart sapması) 1 m/s<sup>2</sup> şeklindedir.

<b>B40 B Elite, B40 BT Elite</b>		
Çıkış mili diři M12		
Çim bıçağı/çim kesici	Çim bıçağı 255-4 1 inç (Ø 255, 4 diř)	580 30 50-01
	Çim bıçağı 255-3 (Ø 255, 3 diř)	580 30 50-01
Testere bıçağı	Testere bıçağı 200-22 (ø 200, 22 diř)	581 33 84-01
Misina kafa	P35	580 30 50-01
Destek manřeti	Sabit	-

# AT Uyumluluk Bildirimi

## AT Uyumluluk Bildirimi

**Husqvarna AB**, SE-561 82 Huskvarna, İsveç, tel: +46-36-146500; seri numaraları 2021 veya sonraki tarihli (yıl, seri numarasıyla birlikte nominal değerler plakasında açıkça belirtilmiştir) **McCulloch B40 B Elite** biçicinin aşağıdaki KONSEY DİREKTİFİ gereksinimleriyle uyumlu olduğunu belirtir:

- 17 Mayıs 2006 tarihli ve **2006/42/AT** sayılı "makinelere ilgili" direktif
- 26 Şubat 2014 tarihli ve **2014/30/AB** sayılı "elektromanyetik uyumlulukla ilgili" direktif
- 8 Mayıs 2000 tarihli ve **2000/14/AT** sayılı "çevreye gürültü yayma ile ilgili" direktif. Uyumluluk değerlendirmesi Ek V'e göre yapılmıştır. Gürültü yayma hakkında bilgi için Teknik veriler bölümüne bakın.
- 8 Haziran 2011 tarihli ve **2011/65/AB** sayılı "elektrikli ve elektronik ekipmanlarda belirli tehlikeli maddelerin kullanımının kısıtlanmasına ilişkin" direktif.

Aşağıdaki standartlar uygulanmıştır:

**EN ISO 12100:2010, CISPR 12:2007+A1:2009, EN ISO 14982:2009, EN ISO 11806-1:2011, EN IEC 63000:2018**

RISE SMP Svensk Maskinprovning AB, Box 7035, SE-750 07 Uppsala, Sweden; Husqvarna AB adına gönüllü olarak tip incelemesi gerçekleştirmiştir. Sertifikalar şu numaralara sahiptir: **SEC/12/2339** - B40 B Elite, B40 BT Elite

RISE SMP Svensk Maskinprovning AB, 2000/14/EG konsey direktifinin V. ekiyle uyumluluğu da doğrulamıştır.

Huskvarna, 2020-08-25



Pär Martinsson, Geliştirme Müdürü (Husqvarna AB yetkili temsilcisi ve teknik dokümantasyon sorumlusu)

Türk ithalat şirketi daha fazla bilgi için temas edilecek:  
Çullas Orman Bahçe ve Tarım Mak. San. Tic. A.Ş.  
Suadiye Mh. Bağdat Cd. No:455/4  
Kadıköy – 34740 İstanbul / Türkiye  
Telefon: +90 216 519 88 82  
Faks: +90 216 519 88 78  
info@cullas.com.tr







[www.mcculloch.com](http://www.mcculloch.com)

Original instructions  
Bruksanvisning i original  
Originale instruktioner  
Alkuperäiset ohjeet  
Originale instruksjoner  
Instructions d'origine  
Originele instructies  
Istruzioni originali  
Instrucciones originales  
Originalanweisungen  
Instruções originais  
Оригинальные инструкции  
Оригинални инструкции  
Eredeti útmutatás

Oryginalne instrukcje  
Originaljuhend  
Lietošanas pamācība  
Originalios instrukcijos  
Pôvodné pokyny  
Originalna uputstva  
Originalne upute  
Izvirna navodila  
Originalna uputstva  
Původní pokyny  
Оригинальні інструкції  
Instrucțiuni inițiale  
Αρχικές οδηγίες  
Orijinal talimatlar

1142801-38



2021-07-02