



**Operator's manual
ROB S400, ROB S500,
ROB S600**



EN, English

Read the operator's manual carefully and make sure that you understand the instructions before you use the product.

Contents

| | | | |
|---|----|---|----|
| 1 Introduction | | 6 Troubleshooting | |
| 1.1 Introduction..... | 3 | 6.1 Introduction - troubleshooting..... | 38 |
| 1.2 Product overview..... | 4 | 6.2 Fault messages..... | 38 |
| 1.3 Symbols on the product..... | 5 | 6.3 Information messages..... | 43 |
| 1.4 Symbols on the display..... | 5 | 6.4 Indicator lamp in the charging station..... | 44 |
| 1.5 Symbols on the battery..... | 5 | 6.5 Symptoms..... | 45 |
| 1.6 General manual instructions..... | 6 | 6.6 Find breaks in the loop wire..... | 46 |
| 1.7 Menu structure overview..... | 7 | 7 Transportation, storage and disposal | |
| 1.8 Display..... | 7 | 7.1 Transportation..... | 49 |
| 1.9 Keypad..... | 8 | 7.2 Storage..... | 49 |
| 2 Safety | | 7.3 Disposal..... | 49 |
| 2.1 Safety information..... | 9 | 8 Technical data | |
| 2.2 Safety definitions..... | 10 | 8.1 Technical data..... | 50 |
| 2.3 Safety instructions for operation..... | 10 | 8.2 Registered trademarks..... | 52 |
| 3 Installation | | 9 Warranty | |
| 3.1 Introduction - Installation..... | 14 | 9.1 Warranty terms..... | 53 |
| 3.2 Main components for installation..... | 14 | 10 EC Declaration of Conformity | |
| 3.3 General preparations..... | 14 | 10.1 EC Declaration of Conformity..... | 54 |
| 3.4 Before the installation of the wires..... | 14 | | |
| 3.5 Installation of the product..... | 19 | | |
| 3.6 To put the wire into position with stakes...22 | | | |
| 3.7 To bury the boundary wire or the guide wire..... | 22 | | |
| 3.8 To extend the boundary wire or the guide wire..... | 22 | | |
| 3.9 After the installation of the product..... | 22 | | |
| 3.10 To do the product settings..... | 23 | | |
| 4 Operation | | | |
| 4.1 The ON/OFF button..... | 30 | | |
| 4.2 To start the product..... | 30 | | |
| 4.3 Operating modes..... | 30 | | |
| 4.4 Park modes..... | 31 | | |
| 4.5 To stop the product..... | 31 | | |
| 4.6 Switch off..... | 31 | | |
| 4.7 Schedule and Standby..... | 32 | | |
| 4.8 To charge the battery..... | 33 | | |
| 4.9 Adjust the cutting height..... | 33 | | |
| 5 Maintenance | | | |
| 5.1 Introduction - maintenance..... | 34 | | |
| 5.2 Clean the product..... | 34 | | |
| 5.3 Replace the blades..... | 35 | | |
| 5.4 Battery..... | 35 | | |
| 5.5 Winter service..... | 36 | | |

1 Introduction

1.1 Introduction

| |
|----------------------------------|
| Serial number: |
| PIN code: |
| Product registration key: |

The serial number is on the product rating plate and on the product carton.

- Use the serial number to register your product on www.mcculloch.com.

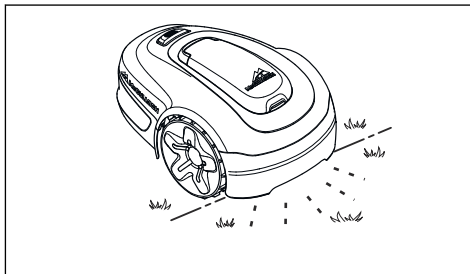
1.1.1 Support

For support about the product, speak to your McCulloch servicing dealer.

1.1.2 Product description

Note: McCulloch regularly updates the appearance and function of the products. Refer to *Support on page 3*.

The product is a robotic lawn mower. The product has a battery power source and cuts the grass automatically. It continuously alternates between mowing and charging. The movement pattern is random, which means that the lawn is mowed evenly and with less wear. The boundary wire and the guide wire controls the movement of the product within the work area. Sensors in the product senses when it is approaching the boundary wire. The front of the product always passes the boundary wire by a specific distance before the product turns around. When the product hits an obstacle or approaches the boundary wire the product selects a new direction.



The operator selects the operation settings with the keys on the keypad. The display shows the selected and possible operation settings, and the operation mode of the product.

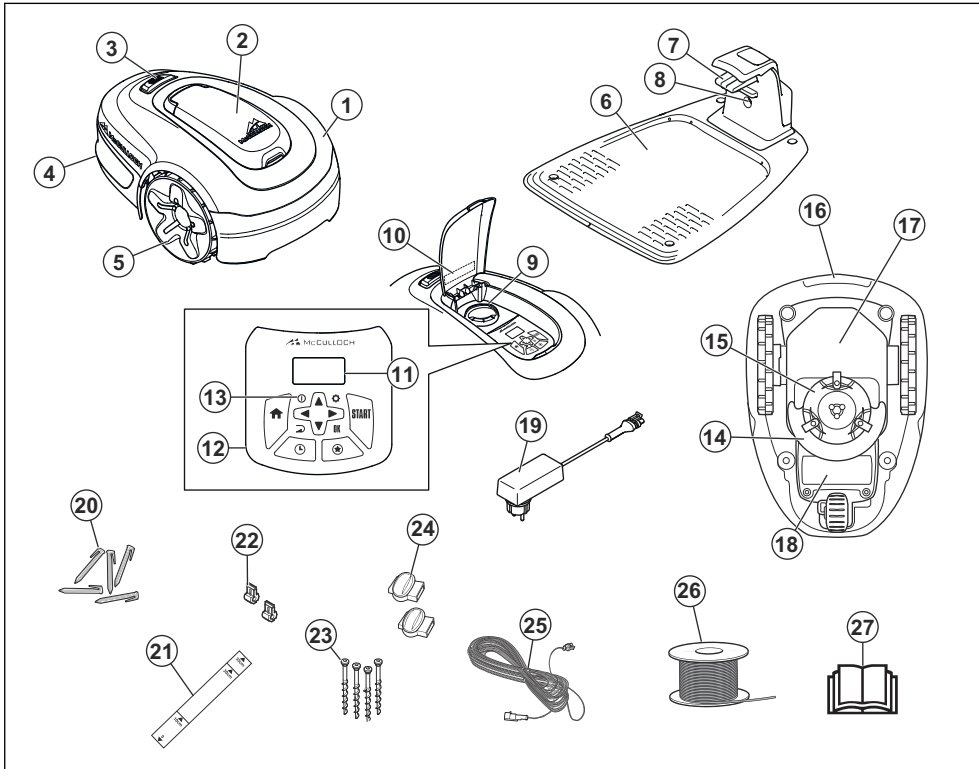
1.1.2.1 Mowing technique

The product is emission free, easy to use and saves energy. The frequent cutting technique improves the grass quality and decreases the use of fertilizers. Collection of grass is not necessary.

1.1.2.2 Find the charging station

The product operates until the battery state of charge is low. Then it follows the guide wire to the charging station. The guide wire is laid from the charging station towards, for instance, a remote part of the work area or through a narrow passage. The guide wire is connected with the boundary wire and makes it much easier and faster for the product to find the charging station.

1.2 Product overview



The numbers in the figure represent:

- | | |
|--|---|
| 1. Body | 13. ON/OFF button |
| 2. Hatch to display and keypad | 14. Cutting system |
| 3. Stop button | 15. Blade disc |
| 4. Rear wheel | 16. Handle |
| 5. Front wheels | 17. Chassis box with electronics, battery and motors |
| 6. Charging station | 18. Battery cover |
| 7. Contact plates | 19. Power supply ¹ |
| 8. LED for operation check of the charging station, boundary wire and guide wire | 20. Stakes |
| 9. Cutting height adjustment | 21. Measurement gauge for help when installing the boundary wire (the measurement gauge is broken loose from the box) |
| 10. Rating plate (including product identification code) | 22. Couplers for loop wire |
| 11. Display | 23. Screws for securing the charging station |
| 12. Keypad | 24. Connector for the loop wire |
| | 25. Low voltage cable |

¹ The appearance may differ depending on market

- 26. Loop wire for boundary loop and guide wire
- 27. Operator's Manual and Quick Guide

1.3 Symbols on the product

These symbols can be found on the product. Study them carefully.



WARNING: Read the user instructions before operating the product.



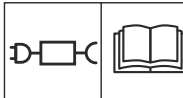
WARNING: Disable the product before working on or lifting the product.



WARNING: Keep a safe distance from the product when operating. Keep your hands and feet away from the rotating blades.



WARNING: Do not ride on the product. Never put your hands or feet close to or under the product.



Use a detachable power supply as defined on the rating label next to the symbol.



This product conforms to the applicable EC Directives.



Noise emission to surroundings. The product's emissions are set out in *Technical data on page 50* and on the rating plate.



It is not permitted to dispose this product as normal household waste. Ensure that the product is recycled in accordance with local legal requirements.



The low voltage cable must not be shortened, extended or spliced.

Do not use a trimmer nearby the low voltage cable. Be careful when trimming edges where the cables are placed.

1.4 Symbols on the display



The schedule menu is used to set when the product cuts the lawn.



The settings menu is used to set the general product settings.



The product will not cut the grass due to the schedule function.



The product overrides the schedule function.



The battery indicator shows the charge level of the battery. When the product charges the symbol flashes.



The product is in the charging station but do not charge the battery.



The product is set in ECO-mode.

1.5 Symbols on the battery



Read the user instructions.



Do not discard the battery into fire and do not expose the battery to a heat source.



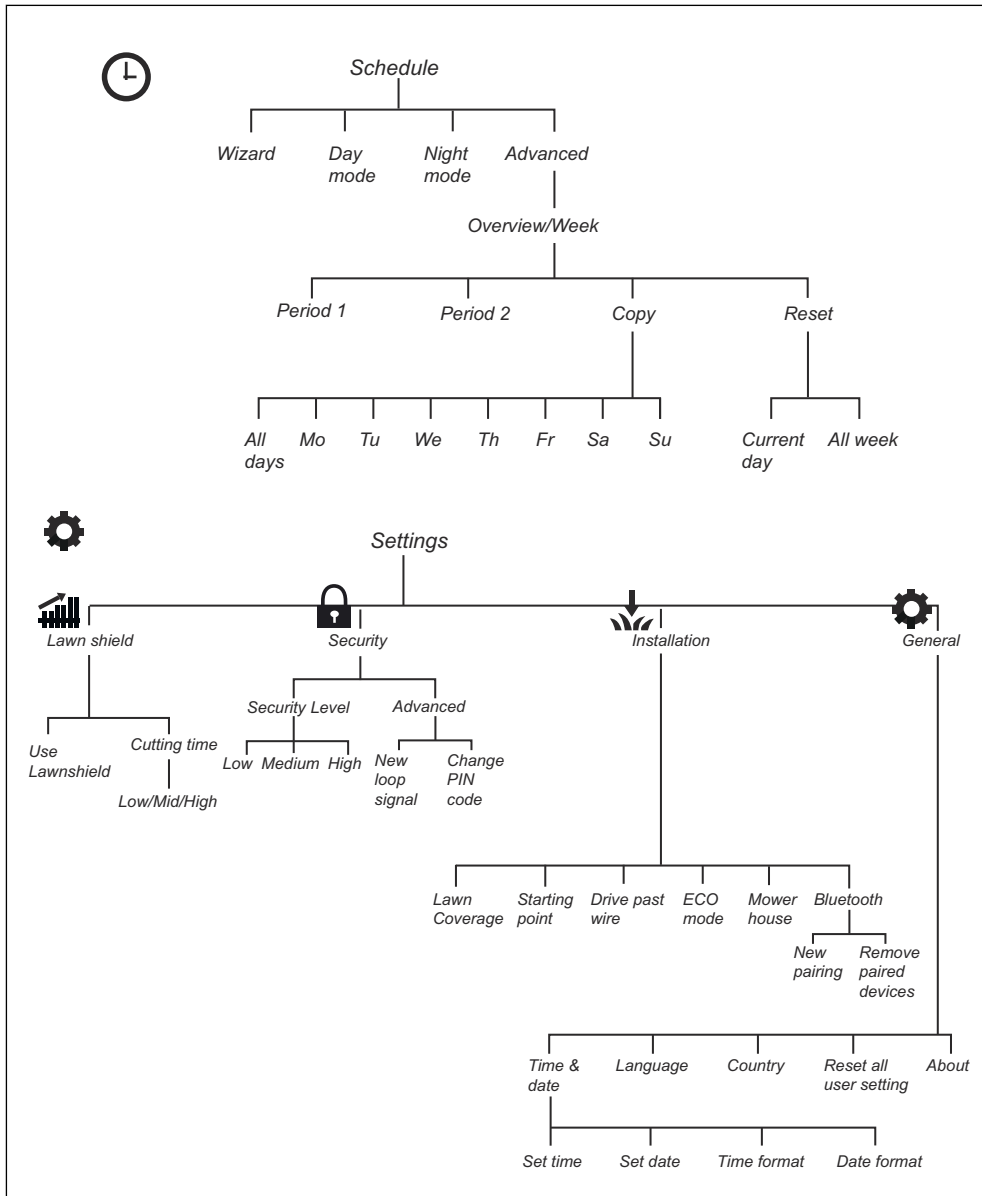
Do not immerse the battery into water.

1.6 General manual instructions

The following system is used in the Operator's Manual to make it easier to use:

- Text written in *italics* is a text that is shown in the display or is a reference to another section in the Operator's Manual.
- Text written in **bold** is one of the buttons on the product.
- Text written in *UPPERCASE* and *italics* refer to the different operating modes available in the product.

1.7 Menu structure overview



1.8 Display

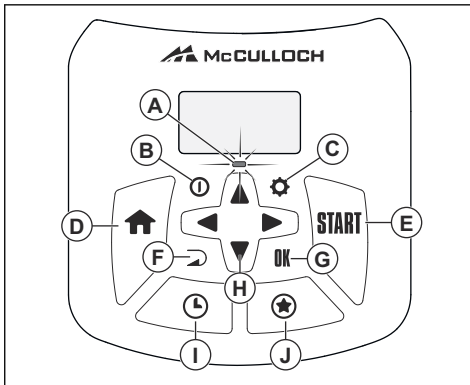
The display on the product shows information and settings of the product.

To access the display, push the **STOP** button and open the hatch.

1.9 Keypad

The keypad on the product lets the operator navigate in the menu. To access the keypad, push the **STOP** button and open the hatch.

- The indicator lamp (A) on the keypad is an important status indicator. Refer to *The indicator lamp on page 30*.
- The **ON/OFF** button (B) is used to turn the product **ON/OFF**.
- The **Settings** button (C) is used to go to the main menu.
- The **Home** button (D) is used to choose the park modes: *Home & Stay* and *Home & Wait*.
- The **Start** button (E) is used to start the operation of the product.
- The **BACK** button (F) is used when moving back up in the menu lists.
- The **OK** button (G) is used to confirm the chosen settings in the menus.
- The **arrow keys** (H) are used to navigate in the menu. The **up/down arrow keys** are also used to enter digits, for example, PIN code, time and date.
- The **Schedule** button (I) is used to go to the schedule menu.
- The **STAR** button (J) is used to choose operating modes: *Secondary area*, *Power Cut* and *Spot Cut*.



2 Safety

2.1 Safety information

2.1.1 IMPORTANT. READ CAREFULLY BEFORE USE. KEEP FOR FUTURE REFERENCE

The operator is responsible for accidents or hazards occurring to other people or property.

This appliance is not intended for use by persons (including children) with reduced physical, sensory or mental capabilities (that could affect a safe handling of the product), or lack of experience and knowledge, unless they have been given supervision or instruction concerning use of the appliance by a person responsible for their safety.

This appliance can be used by children aged from 8 years and above and persons with reduced physical, sensory or mental capabilities or lack of experience and knowledge if they have been given supervision or instruction concerning use of the appliance in a safe way and understand the hazards involved. Local regulations may restrict the age of the operator. Cleaning and maintenance shall not be made by children without supervision.

Never connect the power supply to an outlet if the plug or cord is damaged. Worn or damaged cord increase the risk of electric shock.

Only charge the battery in the included charging station. Incorrect use may result in electric shock, overheating or leaking of corrosive liquid from the battery. In the event of leakage of electrolyte, flush with water/neutralizing agent. Seek medical help if it comes in contact with the eyes.

Use only original batteries recommended by the manufacturer. Product safety cannot be guaranteed with other than original batteries. Do not use non-rechargeable batteries.

The appliance must be disconnected from the supply mains when removing the battery.



WARNING: The product can be dangerous if used incorrectly.



CAUTION: Used if there is a risk of damage to the product, other materials or the adjacent area if the instructions in the manual are not obeyed.



WARNING: Do not use the product when persons, especially children, or animals are in the work area.



WARNING: Keep your hands and feet away from the rotating blades. Never put your hands or feet close to or under the product when the motor is running.



WARNING: In the event of an injury or accident seek medical help.

2.2 Safety definitions

Warnings, cautions and notes are used to point out specially important parts of the manual.



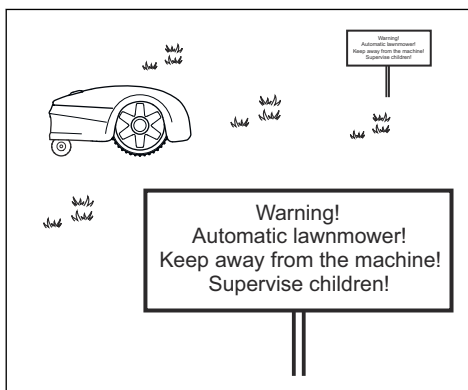
WARNING: Used if there is a risk of injury or death for the operator or bystanders if the instructions in the manual are not obeyed.

Note: Used to give more information that is necessary in a given situation.

2.3 Safety instructions for operation

2.3.1 Use

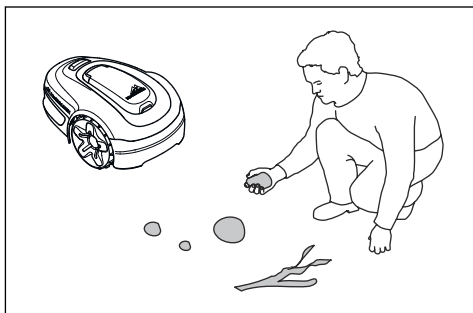
- The product may only be used with the equipment recommended by the manufacturer. All other types of use are incorrect. The manufacturer's instructions with regard to operation/maintenance must be followed precisely.
- Warning signs shall be placed around the work area of the product if it is used in public areas. The signs shall have the following text: **Warning! Automatic lawnmower! Keep away from the machine! Supervise children!**



- Use the park mode, refer to *Home & Stay on page 31* or switch off the product when persons, especially children, or animals are in the work area. It is recommended to program the product for use during hours when the area is free from activity, e.g. at night. Refer to *To set the schedule on page 24*. Consider that certain animals, e.g.

hedgehogs, are active at night. They can potentially be harmed by the product.

- The product may only be operated, maintained and repaired by persons that are fully conversant with its special characteristics and safety regulations. Please read the Operator's Manual carefully and make sure you understand the instructions before using the product.
- It is not permitted to modify the original design of the product. All modifications are made at your own risk.
- Check that there are no foreign objects such as stones, branches, tools or toys on the lawn. If the blades hit foreign objects the blades can be damaged. Always switch off the product with the **ON/OFF** button before clearing a blockage. Inspect the product for damage before starting the product again.



- If the product starts to vibrate abnormally. Always switch off the product with the main switch or **ON/OFF** button and inspect for damage before starting the product again.
- Start the product according to the instructions. When the product is switched on, make sure to keep your hands and feet away from the rotating blades. Never put your hands and feet under the product.
- Never touch moving hazardous parts, such as the blade disc, before it has come to a complete stop.
- Never lift up the product or carry it around when it is switched on.
- Do not let persons who do not know how the product works and behaves use it.
- The product must never be allowed to collide with persons or other living creatures. If a person or other living creature comes in

the product's way it shall be stopped immediately. Refer to *To stop the product on page 31*.

- Do not put anything on top of the product or its charging station.
- Do not allow the product to be used with a defective guard, blade disc or body. Neither should it be used with defective blades, screws, nuts or cables. Never connect a damaged cable, or touch a damaged cable before it is disconnected from the supply.
- Do not use the product if the **ON/OFF** button and **STOP** button does not work.
- Always switch off the product using the **ON/OFF** button when the product is not in use. The product can only start when the product has been switched on with the **ON/OFF** button and the correct PIN code has been entered.
- MCCULLOCH does not guarantee full compatibility between the product and other types of wireless systems such as remote controls, radio transmitters, hearing loops, underground electric animal fencing or similar.
- Metal objects in the ground (for example reinforced concrete or anti-mole nets) can result in a stoppage. The metal objects can cause interference with the loop signal which then can lead to a stoppage.
- Operation and storage temperature is 0-50 °C / 32-122 °F. Temperature range for charging is 0-45 °C / 32-113 °F. Too high temperatures might cause damage to the product.

2.3.2 Battery safety



WARNING: Lithium-ion batteries can explode or cause fire if disassembled, short-circuited, exposed to water, fire, or high temperatures. Handle carefully, do not dismantle, open the battery or use any type of electrical/mechanical abuse. Avoid storage in direct sunlight.

For more information about the battery, refer to *Battery on page 35*

2.3.3 How to lift and move the product



WARNING: The product must be switched off before lifting it. The product is disabled when the indicator lamp on the keypad is not lit.

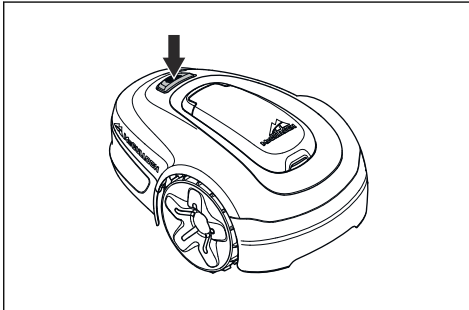


CAUTION: Do not lift the product when it is parked in the charging station. It can damage the charging station and/or the product. Push **STOP** and pull the product out of the charging station before lifting it.

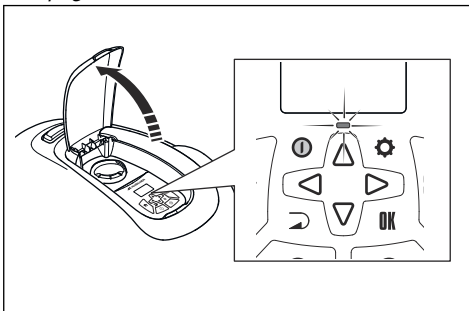


To safely move from or within the work area:

1. Push the **STOP** button to stop the product.



2. Push the **ON/OFF** button for 3 seconds and make sure the product is switched off. Check that the indicator lamp on the keypad is not lit. This means that the product is disabled. Refer to *The indicator lamp on page 30*.



3. Carry the product by the handle with the blade disc away from the body.

2.3.4 Maintenance



WARNING: The product must be switched off before maintenance is done. The product is disabled when the indicator lamp on the keypad is not lit.



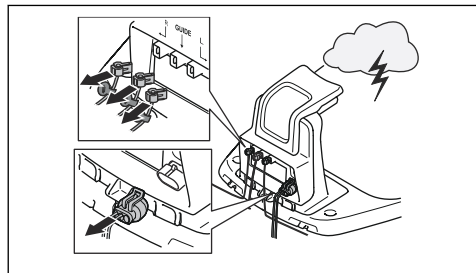
WARNING: Use the plug to disconnect the charging station before cleaning or maintenance of the charging station or the loop wire.



CAUTION: Do not use a high-pressure washer to clean the product. Do not use solvents for cleaning.

Examine the product weekly and replace damaged or worn parts. Refer to *Maintenance on page 34*.

2.3.5 In the event of a thunderstorm



To reduce the risk of damage to electrical components in the product and the charging

station, we recommend that all connections to the charging station are disconnected (power supply, boundary wire and guide wire) if there is a risk of a thunderstorm.

1. Mark the wires to simplify reconnecting. The charging station's connections are marked R, L and GUIDE.
2. Disconnect all connected wires and the power supply.
3. Connect all the wires and the power supply if there is no longer a risk of thunder. It is important that each wire is connected to the right place.

3 Installation

3.1 Introduction - Installation



WARNING: Read and understand the safety chapter before you install the product.



CAUTION: Use original spare parts and installation material.

Note: Refer to www.mcculloch.com for more information about installation.

3.2 Main components for installation

The installation involves the following components:

- A robotic lawn mower that mows the lawn automatically.
- A charging station, which has 3 functions:
 - To send control signals along the boundary wire.
 - To send control signals along the guide wire so that the product can follow the guide to specific remote areas in the garden and can find its way back to the charging station.
 - To charge the product.
- A power supply, which is connected to the charging station and a 100-240V power outlet.
- Loop wire, which is laid around the work area and around objects and plants that the product must not run into. The loop wire is used both as boundary wire and guide wire.

3.3 General preparations



CAUTION: Holes with water in the lawn can cause damage to the product.

Note: Read through the Installation chapter before beginning the installation. How the installation is done affects how the product

performs. It is therefore important to plan the installation carefully.

- Make a blueprint of the work area and include all obstacles. This makes it easier to see the ideal positions for the charging station, the boundary wire and the guide wire.
- Make a mark on the blueprint where to put the charging station, the boundary wire and the guide wire.
- Make a mark on the blueprint where the guide wire connects to the boundary wire. Refer to *To install the guide wire on page 21*.
- Fill in holes in the lawn.
- Cut the grass before you install the product. Make sure that the grass is maximum 4 cm / 1.6 in.

Note: The first weeks after installation the perceived sound level when cutting the grass may be higher than expected. When the product has cut the grass for some time, the perceived sound level is much lower.

3.4 Before the installation of the wires

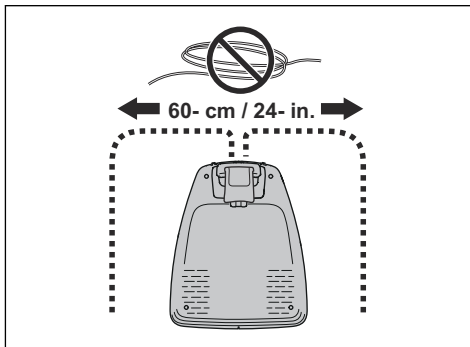
You can select to attach the wires with stakes or bury them. You can use the 2 procedures for the same work area.



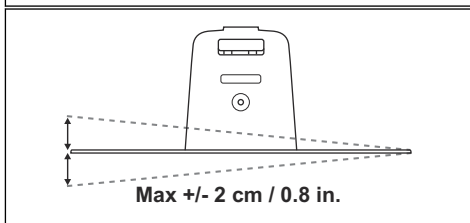
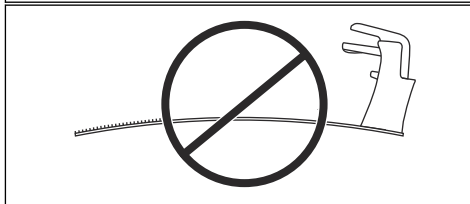
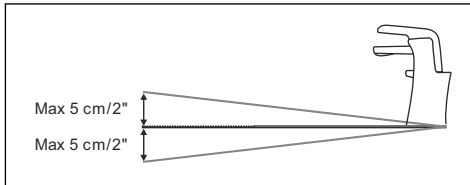
CAUTION: If you use a dethatcher in the work area, bury the boundary wire and the guide wire to prevent them from damage.

3.4.1 To examine where to put the charging station

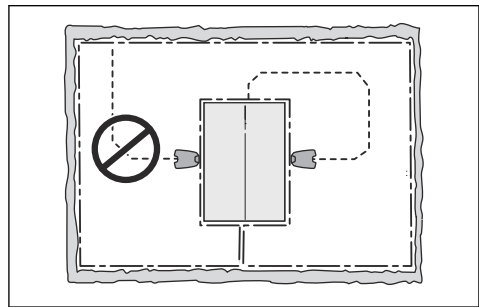
- Keep a minimum 2 m / 6.6 ft. of free space in front of the charging station. Refer to *To examine where to put the guide wire on page 19*.
- Keep a minimum of 30 cm / 12 in. of free space to the right and left of the center of the charging station.



- Put the charging station near a power outlet.
- Put the charging station on a level surface.
- The baseplate of the charging station must not be bent.



- Put the charging station in the lower section of the work area.
- Put the charging station in an area with protection from the sun.
- If the charging station is installed on an island, make sure to connect the guide wire to the island. Refer to *To make an island on page 18*.



3.4.2 To examine where to put the power supply



WARNING: Do not cut or extend the low-voltage cable. There is a risk of electrical shock.



CAUTION: Make sure that the blades on the product do not cut the low-voltage cable.



CAUTION: Do not put the low-voltage cable in a coil or below the charging station plate. The coil causes interference with the signal from the charging station.



- Put the power supply in an area with a roof and protection from the sun and rain.
- Put the power supply in an area with good airflow.
- Use a residual-current device (RCD) when you connect the power supply to the power outlet.

Low-voltage cables of different lengths are available as accessories.

3.4.3 To examine where to put the boundary wire



CAUTION: There must be an obstacle of minimum 15 cm / 6 in. in height between the boundary wire and water bodies, slopes, precipices or public roads. This will prevent damage to the product.



CAUTION: Do not let the product operate on gravel.



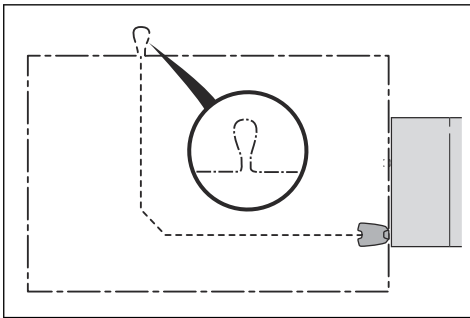
CAUTION: Do not make sharp bends when you install the boundary wire.



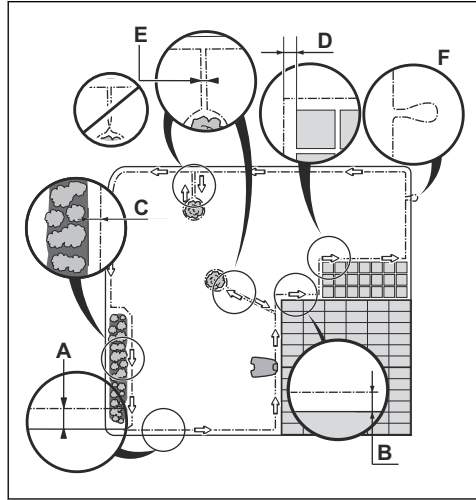
CAUTION: For careful operation without noise, isolate all obstacles such as trees, roots and stones.

The boundary wire should be put as a loop around the work area. Sensors in the product senses when the product approaches the boundary wire, and the product selects another direction. All parts of the work area must be maximum 15 m / 50 ft. from the boundary wire.

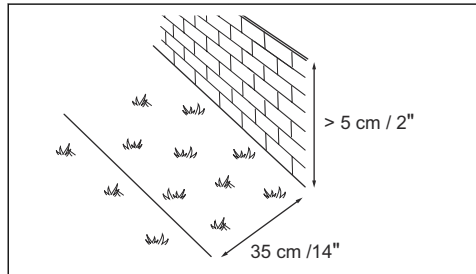
To make the connection easier between the guide wire and the boundary wire, it is recommended to make an eyelet where the guide wire will be connected. Make the eyelet with approximately 20 cm / 8 in. of the boundary wire.



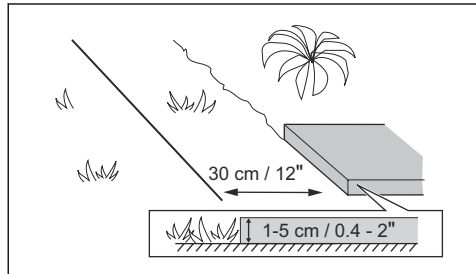
Note: Make a blueprint of the work area before you install the boundary wire and guide wire.



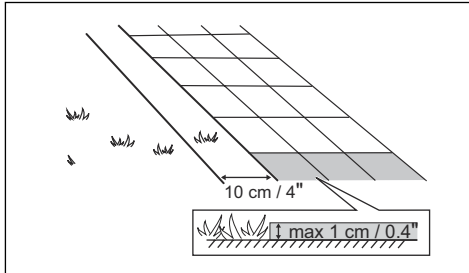
- Put the boundary wire around all of the work area (A). Adapt the distance between the boundary wire and obstacles.
- Put the boundary wire 35 cm / 14 in. (B) from an obstacle that is more than 5 cm / 2 in. high.



- Put the boundary wire 30 cm / 12 in. (C) from an obstacle that is 1-5 cm / 0.4 - 2 in. high.



- Put the boundary wire 10 cm / 4 in. (D) from an obstacle that is less than 1 cm / 0.4 in. high.



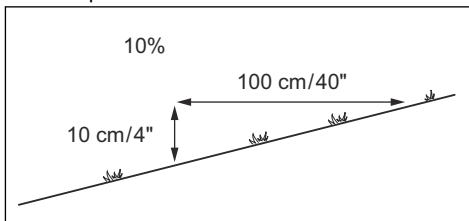
- If you have a paving stone path that is in level with the lawn, put the boundary wire below the paving stone.

Note: If the paving stone is minimum 30 cm / 12 in. wide, use the factory setting for the *Drive Past Wire* function to cut all the grass adjacent to the paving stone. Refer to *To set the Drive Past Wire function on page 28*.

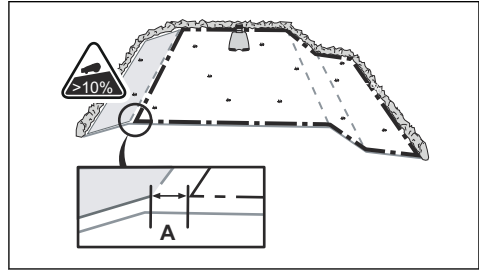
- If you make an island, put the boundary wire that runs to and from the island near together (E). Put the wires in the same stake. Refer to *To make an island on page 18*.
- Make an eyelet (F) where the guide wire is to be connected to the boundary wire.

3.4.3.1 To put the boundary wire in a slope

The product can operate in slopes. Slopes that are too steep must be isolated with the boundary wire. The gradient (%) is calculated as height per m. Example: 10 cm / 100 cm = 10%.



- For slopes steeper than inside the work area, isolate the slope with boundary wire.
- For slopes steeper than 10% along the outer edge of the lawn, put the boundary wire 20 cm / 8 in. (A) from the edge.



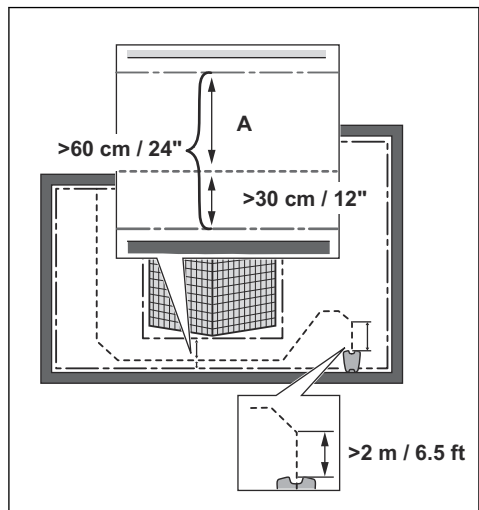
- For slopes adjacent to a public road, put an obstacle of minimum 15 cm / 6 in. along the outer edge of the slope. You can use a wall or a fence as an obstacle.

3.4.3.2 Passages

A passage is a section that has boundary wire on each side and that connects 2 parts of the work area. The distance between the boundary wire on each side in the passage must be a minimum of 60 cm / 24 in.

Note: If a passage is less than 2 m / 6.5 ft. wide, install a guide wire through the passage.

The minimum distance between the guide wire and the boundary wire is 30 cm / 12 in. The product always runs to the left of the guide wire as seen facing the charging station. It is recommended to have as much free area as possible to the left of the guide wire (A).



3.4.3.3 To make an island



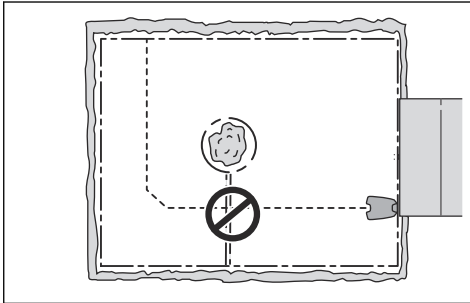
CAUTION: Do not put a section of boundary wire across the other. The sections of boundary wire must be parallel.



CAUTION: Do not put the guide wire across the boundary wire.



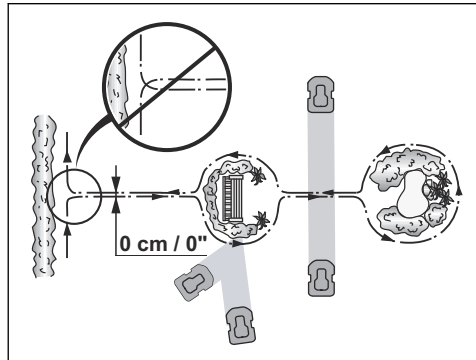
CAUTION: Isolate or remove obstacles that are less than 15 cm / 5.9 in. in height. Isolate or remove obstacles that slope slightly, for example, stones, trees or roots. This will prevent damage to the blades of the product.



To make an island, isolate areas in the work area with the boundary wire. We recommend to isolate all stable objects in the work area.

Some obstacles are resistant to a collision, for example, trees or bushes that are more than 15 cm / 5.9 in. in height. The product will collide with the obstacle and then select a new direction.

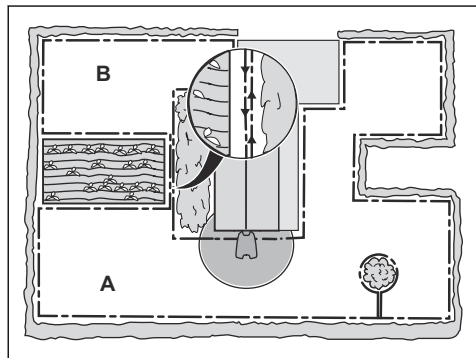
- Put the boundary wire to and around the obstacle to make an island.
- Put the 2 sections of boundary wire to and from the island close together. This will make the product run across the wire.
- Put the 2 sections of boundary wire in the same stake.



3.4.3.4 To make a secondary area

Make a secondary area (B) if the work area has 2 areas that are not connected with a passage. The work area with the charging station is the main area (A).

Note: The product must be manually moved between the main area and the secondary area.



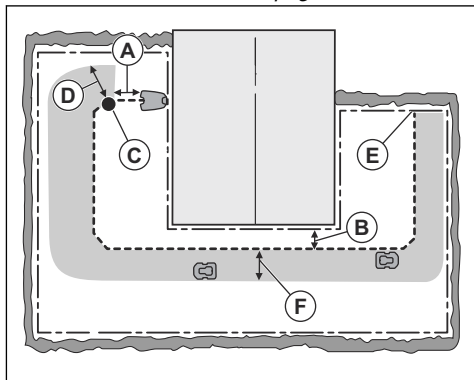
- Put the boundary wire around the secondary area (B) to make an island. Refer to *To make an island on page 18*.

Note: The boundary wire must be put as 1 loop around all of the work area (A + B).

Note: When the product cuts grass in the secondary area, the *Secondary area mode* must be selected. Refer to *Operating modes on page 30*.

3.4.4 To examine where to put the guide wire

Put the guide wire from the charging station through the work area and connect it to the boundary wire. The installation of the guide wire is important for a successful guide calibration, refer to *Guide calibration on page 23*.



- Put the guide wire in a line at a minimum of 1 m / 3.3 ft. in front of the charging station (A).
- Put the guide wire minimum 30 cm / 1 ft. from the boundary wire (B).
- Starting point (C). Refer to *Starting point on page 27*.
- Minimum distance 60 cm / 2 ft. perpendicular to the guide wire (D). If less distance, the calibration process is interrupted. For the widest possible guide corridor, have a minimum distance of 1.35 m / 4.5 ft. Refer to *Guide calibration on page 23*.
- Where the guide wire is connected to the boundary wire (E).
- Guide corridor (F). The product always runs to the left of the guide wire as seen facing the charging station. Make sure that the guide wire has as much free area as possible to the left of the guide wire.

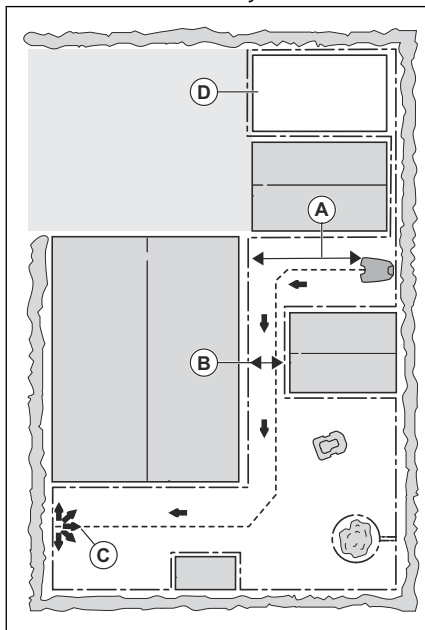
Note: The product always runs in the guide corridor but changes the distance to the guide wire.

3.4.5 Work area examples

- If the charging station is put in a small area (A), make sure that the distance to the

boundary wire is at a minimum 2 m / 6.6 ft. in front of the charging station.

- If the work area has a passage (B) with no guide wire installed, the minimum distance between the boundary wires is 2 m / 6.5 ft. With a guide wire installed through the passage, the minimum distance between the boundary wires is 60 cm / 24 in.
- If the work area has areas which are connected by a narrow passage (B), you can set the product to first follow and then leave the guide wire to the point it connects to the boundary wire (C). The settings can be changed in *Lawn Coverage on page 27*.
- If the work area includes a secondary area (D), refer to *To make a secondary area on page 18*. Put the product in the secondary area and select *Secondary area mode*.



3.5 Installation of the product

3.5.1 Installation tools

- Hammer/plastic mallet: To simplify putting the stakes into the ground.
- Edge cutter/straight spade: To bury the boundary wire.
- Combination pliers: For cutting the boundary wire and pressing the connectors together.

- Adjustable plier: For pressing the couplers together.

3.5.2 To install the charging station



WARNING: Obey national regulations about electrical safety.



WARNING: The product is only to be used with the power supply unit supplied by McCulloch.



WARNING: Do not put the power supply at a height where there is a risk it can be put in water. Do not put the power supply on the ground.



WARNING: Do not encapsulate the power supply. Condensed water can harm the power supply and increase the risk of electrical shock.



WARNING: Risk of Electric Shock. Install only to an residual-current device (RCD) when connecting the power supply to the power outlet. Applicable to USA/Canada. If power supply is installed outdoors: Risk of Electric Shock. Install only to a covered Class A GFCI receptacle (RCD) that has an enclosure that is weatherproof with the attachment plug cap inserted or removed.



CAUTION: Do not make new holes in the charging station plate.



CAUTION: Do not put your feet on the baseplate of the charging station.



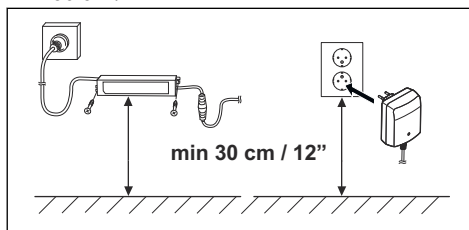
WARNING: The power supply cable and extension cable must be outside the work area to avoid damage to the cables.

When connecting the power supply, only use a power outlet that is connected to an residual-current device (RCD).

- Read and understand the instructions about where to put the charging station. Refer to *To examine where to put the charging station on page 14*.
- Put the charging station in the selected area.

Note: Do not attach the charging station with the screws to the ground until the guide wire is installed. Refer to *To install the guide wire on page 21*.

- Connect the low-voltage cable to the charging station.
- Put the power supply at a minimum height of 30 cm / 12 in.



- Connect the power supply cable to a 100-240V power outlet.

Note: When the charging station is connected, it is possible to charge the product. Place the product in the charging station while the boundary and guide wires are being laid. Switch on the product. Refer to *To start the product on page 30*. Do not continue with any product settings before the installation is complete.

- Put the low-voltage cable in the ground with stakes or bury the cable. Refer to *To put the wire into position with stakes on page 22* or *To bury the boundary wire or the guide wire on page 22*.
- Connect the wires to the charging station after the installation of boundary wire and guide wire is complete. Refer to *To install the boundary wire on page 21* and *To install the boundary wire on page 21*.
- Attach the charging station to the ground with the supplied screws after the guide wire

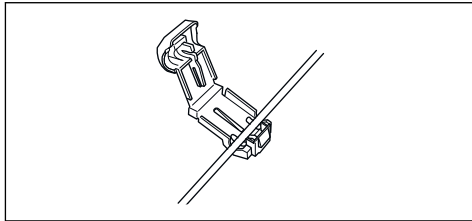
is installed. Refer to *To install the guide wire on page 21.*

3.5.3 To install the boundary wire

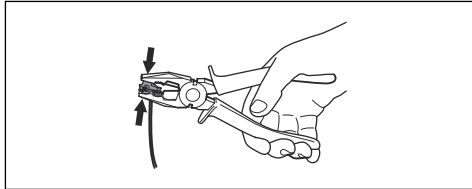


CAUTION: Do not put remaining wire in a coil. The coil causes interference with the product.

1. Put the boundary wire around all of the work area. Start and complete the installation behind the charging station.
2. Open the connector and put the boundary wire in the connector.



3. Close the connector with a pair of pliers.



4. Cut the boundary wire 1-2 cm / 0.4-0.8 in. above each connector.
5. Push the right connector onto the metal pin on the charging station with the mark "R".
6. Push the left connector onto the metal pin on the charging station with the mark "L".

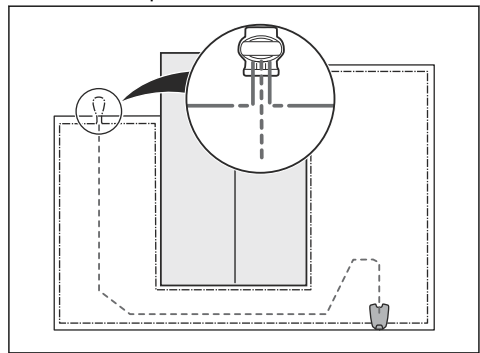
3.5.4 To install the guide wire



CAUTION: Twinned cables, or a screw terminal block that is insulated with insulation tape are not satisfactory splices. Soil moisture will cause the wire to oxidize and after a time result in a broken circuit.

1. Open the connector and put the wire in the connector.
2. Close the connector with a pair of pliers.

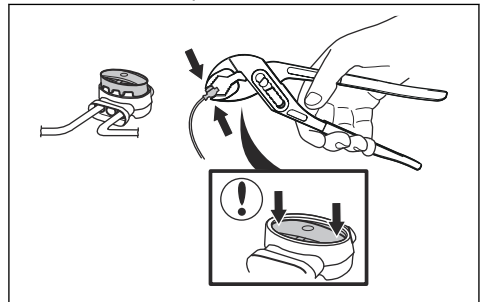
3. Cut the guide wire 1-2 cm / 0.4-0.8 in. above each connector.
4. Push the guide wire through the slot in the charging station plate.
5. Push the connector onto the metal pin on the charging station with the mark "GUIDE".
6. Disconnect the charging station from the power outlet.
7. Put the end of the guide wire at the eyelet on the boundary wire.
8. Cut the boundary wire with a pair of wire cutters.
9. Connect the guide wire to the boundary wire with a coupler.



- a) Put the 2 ends of the boundary wire and the end of the guide wire into the coupler.

Note: Make sure that you can see the ends of the wires through the transparent area of the coupler.

- b) Push down the cover on the coupler with adjustable pliers to attach the wires in the coupler.



10. Attach the guide wire to the ground with stakes or bury the guide wire in the ground. Refer to *To put the wire into position with stakes on page 22* or *To bury the boundary wire or the guide wire on page 22*.
11. Connect the charging station to the power outlet.

3.6 To put the wire into position with stakes



CAUTION: Make sure that the stakes hold the boundary wire and the guide wire against the ground.



CAUTION: Cutting the grass too low right after installation can damage the wire insulation. Damage to the insulation may not cause disruptions until several weeks or months later.

1. Put the boundary wire and the guide wire on the ground.
2. Put the stakes at a maximum of 75 cm / 30 in. distance from each other.
3. Attach the stakes to the ground with a hammer or a plastic mallet.

Note: The wire is overgrown with grass and not visible after a few weeks.

3.7 To bury the boundary wire or the guide wire

- Cut a groove in the ground with an edge cutter or a straight shovel.
- Put the boundary wire or the guide wire 1-20 cm / 0.4-8 in. into the ground.

3.8 To extend the boundary wire or the guide wire

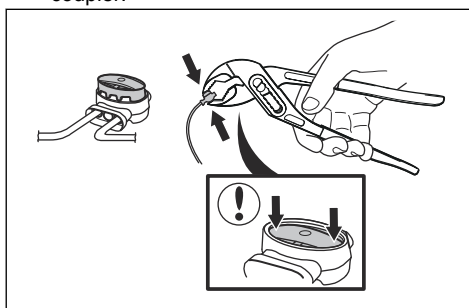
Note: Extend the boundary wire or the guide wire if it is too short for the work area. Use original spare parts, for example couplers.

1. Disconnect the charging station from the power outlet.

2. Cut the boundary wire or the guide wire with a pair of wire cutters where it is necessary to install the extension.
3. Add wire where it is necessary to install the extension.
4. Put the boundary wire or the guide wire into position.
5. Put the wire ends into a coupler.

Note: Make sure that you can see the ends of the boundary wire or the guide wire through the transparent area of the coupler.

6. Push down the cover on the coupler with adjustable pliers to attach the wires in the coupler.

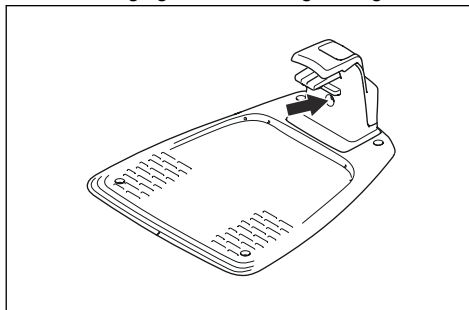


7. Put the boundary wire or the guide wire into position with stakes.
8. Connect the charging station to the power outlet.

3.9 After the installation of the product

3.9.1 To do a visual check of the charging station

1. Make sure that the indicator LED lamp on the charging station has a green light.



2. If the indicator LED lamp does not have a green light, do a check of the installation. Refer to *The indicator lamp on page 30* and *To install the charging station on page 20*.

3.9.2 To do the basic settings

Before the product starts to operate for the first time, you must do the basic settings.

1. Put the product in the charging station.
2. Push the **ON/OFF** button for 3 seconds.

Note: If the battery is very low, the product needs to charge before you can switch on the product.

3. Push the **arrow** buttons and the **OK** button. Select language, country, date, time. Set the *Wizard* and the PIN code. Refer to *Wizard on page 24*.

Note: It is not possible to use 0000 as PIN code.

4. Push the **Start** button and close the hatch to initiate the guide calibration.

Note: If the battery is too low, the product needs to charge the batteries fully before the guide calibration starts. Refer to *Guide calibration on page 23*.

3.9.3 Guide calibration

The calibration process is automatic and sets as wide guide corridor as possible to reduce the risk of tracks forming on the lawn.

Note: The product always runs within the guide corridor but it alternates the distance to the guide wire.

The guide calibration starts when the product reaches the starting point. The product moves away perpendicular from the guide wire at the left side (as seen when facing the charging station) for a maximum distance of 1.35 m / 4.4 ft. or until it hits the boundary wire or an obstacle. This distance is set as the maximum corridor width. When the guide calibration is completed, the product runs along the guide wire to the point where the guide wire is connected to the

boundary wire. If the guide calibration is successful, the product then starts to mow.

3.9.3.1 To redo the guide calibration

1. Push the **Menu** button for 3 seconds to enter the *Quick info* menu.
2. Use the **arrow** buttons and the **OK** button to move through the menu structure *Advanced > Calibrate > Guide calibration*.
3. Place the product in the charging station.
4. Push the **Start** button to start the automatic calibration.

3.10 To do the product settings

Use the control panel to set all settings for the product. The control panel has a display and a keypad, you can access all functions through the menus. The functions have factory settings that is applicable for almost all work areas, but the settings can be adapted to the conditions for each work area.

3.10.1 Menu structure

The main menu contains:

- *Lawn Shield*
- *Security*
- *Installation*
- *General*

Refer to *Menu structure overview on page 7*.

3.10.2 To get access to the menu

1. Push the **STOP** button.
2. Use the up/down **arrow** buttons and the **OK** button to enter the PIN code.
3. Push the **Settings** button.

3.10.3 To do the schedule settings



You can set the schedule in 4 ways:

- Set the schedule by using the wizard. Refer to *Wizard on page 24*.
- Day mode
- Night mode
- Set the schedule in the Advanced menu. Refer to *To set the schedule on page 24*.

Note: The lawn should not be cut too often to obtain the best result. If the product is allowed to operate too much, the lawn may appear flattened. The product is also subjected to unnecessary wear.

3.10.3.1 To get access to the schedule menu

1. Push the **STOP** button.
2. Use the up/down **arrow** buttons and the **OK** button to enter the PIN code.
3. Push the **Schedule** button.

3.10.3.2 Wizard

The wizard is a quick tool to find suitable schedule settings for your lawn.

1. Do steps 1–3 in *To get access to the schedule menu on page 24*.
2. Use the **arrow** buttons and the **OK** button to move through the menu structure *Schedule > Wizard*.
3. Enter your estimated lawn size. It is not possible to enter a larger lawn size than the maximum work capacity.
4. Push the **OK** button to confirm the lawn size. By entering your lawn size the wizard suggests either a suitable daily schedule (refer to step 7) or need input for inactive days.
5. Choose what day(s) the product should be inactive. Use the up/down **arrow** buttons to shift between days.
6. Push the **OK** button to confirm the chosen inactive day(s).
7. The wizard suggests a daily schedule for the active days. If you want to move the schedule interval to earlier or later in the day then push the **arrow** buttons up or down.
8. Push the **OK** button to confirm the daily schedule. An overview of the daily schedule is presented. Push the **OK** button to go back to main menu.

Note: To change the schedule settings for individual work days use the *Schedule > Advanced* menu.

3.10.3.3 Day mode

The Day mode means that the product starts mowing at 08:00 / 8 am and mows the specified operation hours.

1. Do steps 1–3 in *To get access to the schedule menu on page 24*.
2. Use the **arrow** buttons and the **OK** button to move through the menu structure *Schedule > Day mode*.
3. Use the **arrow** buttons and the **OK** button to select **YES** to confirm.

3.10.3.4 Night mode

The Night mode means that the product starts mowing at 20:00 / 8 pm and mows the specified operation hours.

1. Do steps 1–3 in *To get access to the schedule menu on page 24*.
2. Use the **arrow** buttons and the **OK** button to move through the menu structure *Schedule > Night mode*.
3. Use the **arrow** buttons and the **OK** button to select **YES** to confirm.

3.10.3.5 To set the schedule

1. Do steps 1–3 in *To get access to the schedule menu on page 24*.
2. Use the **arrow** buttons and the **OK** button to move through the menu structure *Schedule > Advanced > Overview*.
3. Use the **arrow** buttons and the **OK** button to select the day.
4. Use the left **arrow** button to select the period.
5. Push the **OK** button.
6. Calculate the suitable operating hours. Refer to *To calculate the suitable operating hours on page 25*.
7. Enter the time with the **arrow** buttons. The product can cut the grass 1 or 2 periods each day.

The screenshot shows a menu for 'MONDAY'. It has a checked box next to '00:00 - 15:00' and an unchecked box next to '---:---:---:---'. Below the menu are two buttons: 'Copy' and 'Reset'.

- If the product must not cut grass on a specified day, unselect the box adjacent to the 2 time periods.

3.10.3.6 To calculate the suitable operating hours

If the work area is less than maximum product capacity, the schedule should be set to minimize wear on the lawn and the product. The wizard helps you to set suitable schedule settings, but it is also possible to change the settings manually.

If you want to set the schedule manually, start by calculating the suitable operating hours and then follow the steps in *To set the schedule on page 24* and *To copy the schedule setting on page 25*.

- Calculate the dimension of your lawn in m^2 / ft^2 .
- Divide the m^2 / ft^2 of the lawn with the approximate daily operation capacity. Refer to table below.
- The result is equal to the number of hours that the product must mow each day. The number of hours includes both mowing, searching and charging time.

Note: The daily operation capacity is approximate and depends on the inbuilt standby period. Refer to *Schedule and Standby on page 32*.

| Product work capacity | Approximate daily operation capacity, m^2/h , ft^2/h |
|-----------------------|--|
| 600 m^2 | 42 / 50 |
| 500 m^2 | 41 / 49 |
| 400 m^2 | 40 / 48 |

Example: A lawn of 500 m^2 / 5400 ft^2 , cut with a ROB S600 specified for 600 m^2 .

$$500 \text{ m}^2 / 42 \approx 7 \text{ h.}$$

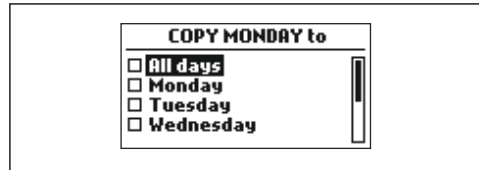
$$5400 \text{ ft}^2 / 50 \approx 7 \text{ h.}$$

| Days / week | h / day | Suggested schedule setting |
|-------------|---------|-----------------------------------|
| 7 | 7 | 07:00 - 14:00 / 7:00 am - 2:00 pm |

3.10.3.7 To copy the schedule setting

- Do steps 1–3 in *To get access to the schedule menu on page 24*.

- Use the **arrow** buttons and the **OK** button to move through the menu structure *Schedule > Advanced > Overview > Copy*.
- Use the **arrow** buttons and the **OK** button to copy the schedule setting. You can copy the schedule settings day to day or for the full week.



3.10.3.8 To reset the schedule setting

You can remove all schedule settings and use the factory setting.

- Do steps 1–3 in *To get access to the schedule menu on page 24*.
- Use the **arrow buttons** and the **OK** button to move through the menu structure *Schedule > Advanced > Overview > Reset*.
 - Push the **arrow buttons** to select *Current day* to only set the current day to factory settings.
 - Push the **arrow buttons** to select *All week* to reset all schedule settings to factory settings.
- Push the **OK** button.

3.10.4 Lawn shield



Lawn shield automatically adjust the cutting time to the growth of the grass. The product is not permitted to operate more than the schedule settings.

Note: When using *Lawn shield*, it is recommended to make as much operating time as possible available for *Lawn shield*. Do not restrict the schedule more than necessary.

The first operation of the day is set by the schedule settings. The product always complete 1 mowing cycle, and then *Lawn shield* selects if the product will continue to operate or not.

Note: *Lawn shield* is reset if the product does not operate for more than 50 hours, or if a *Reset of all user settings* is done. *Lawn shield* is not changed if a *Reset of schedule settings* is done.

3.10.4.1 To set the Lawn shield

1. Do steps 1–3 in *To get access to the menu on page 23*.
2. Use the **arrow buttons** and the **OK** button to move through the menu structure *Settings > Lawn shield > Use Lawn shield*.
3. Push the **OK** button to select the Lawn shield.
4. Push the **BACK** button.

3.10.4.2 To set the Lawn shield frequency

Set how frequently the product must cut the grass when the Lawn shield is in use. There are 3 frequency levels: Low, Mid and High. The higher the frequency, the longer the product is allowed to work.

1. Do steps 1–3 in *To get access to the menu on page 23*.
2. Use the **arrow buttons** and the **OK** button to move through the menu structure *Settings > Lawn shield > Cutting time*.
3. Use the **arrow buttons** to select *Low, Mid or High* frequency.
4. Push the **BACK** button.

3.10.5 Security level



There are 3 security levels for the product.

| Function | Low | Medium | High |
|------------------|-----|--------|------|
| <i>Alarm</i> | | | X |
| <i>PIN-code</i> | | X | X |
| <i>Time lock</i> | X | X | X |

- *Alarm* - An alarm goes off if the PIN-code is not entered within 10 seconds after the **STOP** button is pushed. The alarm also goes off when the product is lifted. The alarm stops when the PIN-code is entered.

- *PIN-code* - The correct PIN-code must be entered to get access to the Menu structure of the product. If the incorrect PIN-code is entered 5 times, the product is locked for a time. The lock is extended for each new incorrect try.
- *Time lock* - The product locks if the PIN-code has not been entered in 30 days. Enter the PIN-code to get access to the product.

3.10.5.1 To set the security level

Select 1 of the security levels for your product.

1. Do steps 1–3 in *To get access to the menu on page 23*.
2. Use the **arrow buttons** and the **OK** button to move through the menu structure *Settings > Security > Security level*.
3. Use the **arrow buttons** and the **OK** button to select the level of security.
4. Push the **OK** button.

3.10.5.2 Security - Advanced

To create a new loop signal

The loop signal is randomly selected to create a unique link between the product and the charging station. In rare cases, there may be a need to generate a new signal, for instance if two adjacent installations have very similar signals.

1. Put the product in the charging station.
2. Do steps 1–3 in *To get access to the menu on page 23*.
3. Use the **arrow buttons** and the **OK** button to move through the menu structure *Settings > Security > Advanced > New loop signal*.
4. Wait for confirmation that the loop signal has been generated. This usually takes about 10 seconds.

To change the PIN-code

1. Do steps 1–3 in *To get access to the menu on page 23*.
2. Use the **arrow buttons** and the **OK** button to move through the menu structure *Settings > Security > Advanced > Change PIN-code*.
3. Enter the new PIN code.
4. Push the **OK** button.
5. Enter the new PIN code again.
6. Push the **OK** button.

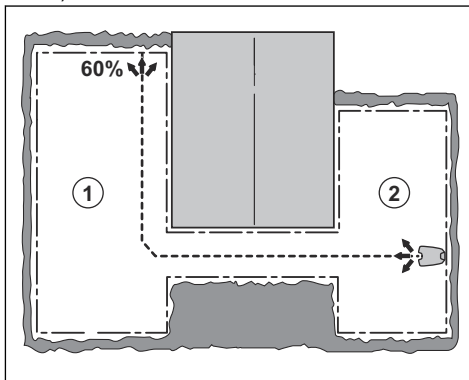
7. Make a note of the new PIN code. Refer to *Introduction on page 3*.

3.10.6 Lawn Coverage

The *Lawn Coverage* function is used to guide the product to remote parts of the work area. If the work area includes remote parts that are connected with narrow passages, the *Lawn Coverage* function maintains a well-cut lawn in all parts of the yard. You can set the frequency of how often the product starts to follow the guide wire to mow in the connection with the boundary wire. If the *Lawn Coverage* function is not used, the product starts to mow from the charging station.

3.10.6.1 To set the Lawn Coverage function

1. Do steps 1–3 in *To get access to the menu on page 23*.
2. Use the **arrow buttons** and the **OK** button to move through the menu structure *Settings > Installation > Lawn Coverage > Area 1*.
3. Use the **arrow buttons** to select the % of the cutting time the product must cut the area. The % is equal to the % of the area in relation to the complete work area.
 - a) Measure the area.
 - b) Divide the area with the work area.
 - c) Convert the result to %.



4. Push the **BACK** button.

3.10.6.2 To do a test of the Lawn Coverage function

1. Put the product in the charging station.
2. Do step 1-3 in *To get access to the menu on page 23*.

3. Use the **arrow** buttons and the **OK** button to move through the menu structure *Settings > Lawn Coverage > Area 1 > More > Test*.
4. Push the **OK** button.
5. Push the **START** button.
6. Close the hatch.
7. Make sure the product can find the area.

3.10.6.3 To disable or enable the Lawn Coverage function

Disable or enable the *Lawn Coverage* function for each area.

1. Do steps 1–3 in *To get access to the menu on page 23*.
2. Use the **arrow** buttons and the **OK** button to move through the menu structure *Settings > Lawn Coverage > Area 1 > Disable*.
3. Push the **OK** button.
4. Push the **BACK** button.

3.10.6.4 To reset the Lawn Coverage settings

You can reset the *Lawn Coverage* settings for each area and use the factory setting.

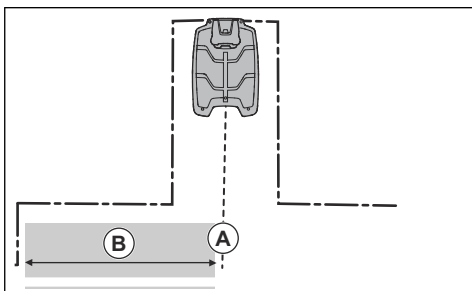
1. Do steps 1–3 in *To get access to the menu on page 23*.
2. Use the **arrow** buttons and the **OK** button to move through the menu structure *Settings > Lawn Coverage > Area 1 > More > Reset*.
3. Push the **OK** button.

3.10.7 Starting point

This function allows you to control how far the product drives along the guide wire from the charging station before it starts operating. The factory setting is 60 cm / 2 ft. and the maximum distance is 300 cm / 10 ft.

Note: The product straddles the guide wire from the charging station to the starting point. Keep as short distance to the starting point as possible to reduce the risk of tracks forming on the lawn.

If the charging station is placed in a limited space area, for example under a veranda, choosing a good starting point is important so that the guide calibration process is optimized. Refer to *Guide calibration on page 23*.



A) Starting point

B) Minimum distance 60 cm / 2 ft (perpendicular to the guide wire). If less distance, the calibration process is interrupted. For the widest possible guide corridor, have a minimum distance of 1.35 m / 4.5 ft. Refer to *Guide calibration on page 23*.

3.10.7.1 To set the starting point

1. Do steps 1-3 in *To get access to the menu on page 23*.
2. Use the **arrow** button and the **OK** button to move through the menu structure *Settings > Installation > Starting point*.
3. Use the **arrow** buttons to specify the distance in cm.
4. Push the **BACK** button.

3.10.8 Drive Past Wire function

The front of the product always moves past the boundary wire by a specified distance before the product moves back into the work area. The factory setting is 32 cm / 12 in. You can select a distance of 20-40 cm / 8-15 in.

Note: If the *Drive Past Wire* distance is changed, the distance will change along the boundary wire everywhere in the work area.

3.10.8.1 To set the Drive Past Wire function

1. Do steps 1-3 in *To get access to the menu on page 23*.
2. Use the **arrow** button and the **OK** button to move through the menu structure *Settings > Installation > Drive Past Wire*.
3. Use the **arrow** buttons to set the distance.
4. Push the **BACK** button.

3.10.9 ECO mode

If *ECO mode* is activated, it switches off the signal in the boundary loop, the guide wire and the charging station, when the product is parked or is charging.

Note: Use *ECO mode* to save energy and avoid interference with other equipment, for example hearing loops or garage doors.

Note: To start the product manually in the work area, push the **STOP** button before you remove the product from the charging station. If not, the product can not be started in the work area.

3.10.9.1 To set the ECO mode

1. Do steps 1-3 in *To get access to the menu on page 23*.
2. Use the **arrow** buttons and the **OK** button to move through the menu structure *Settings > Installation > ECO mode*.
3. Push the **OK** button to select the *ECO mode*.
4. Push the **BACK** button.

3.10.10 To avoid collisions with the mower house

If you have installed a mower house (available as accessory), the wear on the product and the mower house decreases when you select *Avoid house collisions*.

1. Do steps 1-3 in *To get access to the menu on page 23*.
2. Use the **arrow** buttons and the **OK** button to move through the menu structure *Settings > Installation > Mower house > Avoid house collisions*.
3. Push the **BACK** button.

Note: If *Avoid house collisions* is selected it can result in grass that is not cut around the charging station.

3.10.11 Bluetooth®

The product can connect to mobile devices that have the McCulloch ROB app installed. It is a free app for your mobile device. The short-range interaction with the product is called Bluetooth®.

When pairing between the product and app has been confirmed, you have access to the menus and functions as long as you are within short-range (Bluetooth®).

3.10.11.1 To pair the McCulloch ROB app and the product

1. Download the McCulloch ROB app on your mobile device.
2. Do steps 1–3 in *To get access to the menu on page 23*.
3. Use the **arrow** buttons and the **OK** button to move through the menu structure *Settings > Installation > Bluetooth > New pairing*.
4. Follow the instructions in the app.

3.10.12 General

In *General* you can change the general settings of the product.

3.10.12.1 To set the time & date

1. Do steps 1–3 in *To get access to the menu on page 23*.
2. Use the **arrow** buttons and the **OK** button to move through the menu structure *Settings > General > Time & Date*.
3. Use the **arrow** buttons to set the time and then push the **BACK** button.
4. Use the **arrow** buttons to set the date and then push the **BACK** button.
5. Use the **arrow** buttons to set the time format and then push the **BACK** button.
6. Use the **arrow** buttons to set the date format and then push the **BACK** button.

3.10.12.2 To set the language

1. Do steps 1–3 in *To get access to the menu on page 23*.
2. Use the **arrow** buttons and the **OK** button to move through the menu structure *Settings > General > Language*.
3. Use the **arrow** buttons to select language and then push the **BACK** button.

3.10.12.3 To set the country

1. Do steps 1–3 in *To get access to the menu on page 23*.
2. Use the **arrow** buttons and the **OK** button to move through the menu structure *Settings > General > Country*.

3. Use the **arrow** buttons to select country and then push the **BACK** button.

3.10.12.4 To reset all user settings

1. Do steps 1–3 in *To get access to the menu on page 23*.
2. Use the **arrow** buttons and the **OK** button to move through the menu structure *Settings > General > Reset all user settings*.
3. Use the right **arrow** button to select *Proceed with reset of all user settings?*
4. Push the **OK** button to reset all the user settings.

Note: *Security level, PIN code, Loop signal, Messages, Date & Time, Language and Country settings* are not reset.

3.10.12.5 The About menu

The *About* menu displays information about the product, for example serial number and firmware versions.

4 Operation

4.1 The ON/OFF button



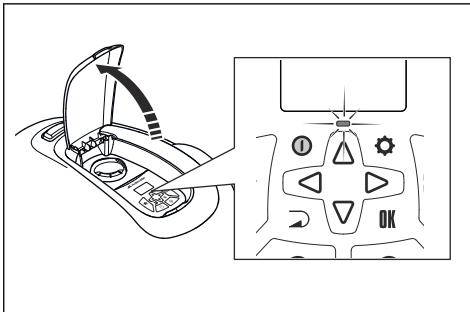
WARNING: Read the safety instructions carefully before you start the product.



WARNING: Keep your hands and feet away from the rotating blades. Do not put your hands or feet close to or under the machine when the blade motor is running.



WARNING: Do not use the product when persons, especially children, or animals are in the work area.



- Push the **ON/OFF** button for 3 seconds to switch on the product. The product is active when the indicator lamp on the keypad is lit.
- Push the **ON/OFF** button for 3 seconds to switch off the product.
- The product is in power save mode if the indicator lamp flashes. Push the **ON/OFF** button for 3 seconds to switch on the product.

4.1.1 The indicator lamp



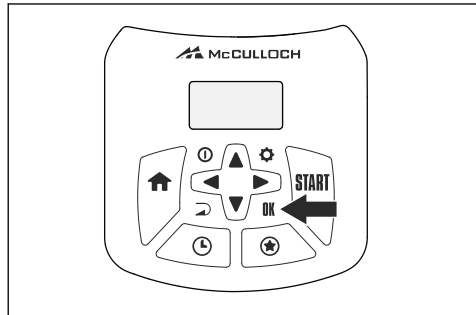
WARNING: It is only safe to carry out inspection or maintenance on the product when the product is disabled. The product is disabled when the lamp on the keypad is not lit.

The indicator lamp on the keypad is an important status indicator:

- The product is active if the indicator lamp lights continuously.
- The product is in power save mode if the indicator lamp flashes. Push the **ON/OFF** button for 3 seconds to make the product active again.
- The product is disabled when the indicator lamp is not lit.

4.2 To start the product

1. Open the hatch to the keypad.
2. Push the **ON/OFF** button for 3 seconds. The display is lit up.
3. Use the **up/down arrow buttons** and the **OK** button to enter the PIN code.



4. Push the **START** button to start to mow in the main area.

Note: If another operating mode is desired, push the **STAR** button and confirm with the **OK** button. Refer to *Operating modes on page 30*.

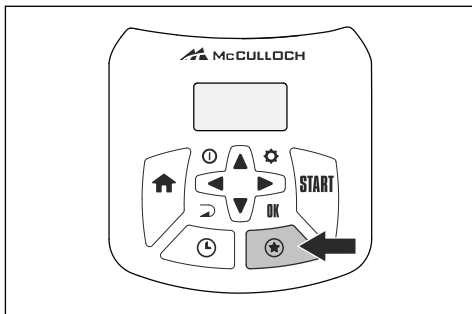
5. Close the hatch.

Note: If the product is parked in the charging station, the product will only leave the charging station when the battery is fully charged and if the schedule allows the product to operate.

4.3 Operating modes

When the **STAR** button is pressed the following operating modes can be selected:

- Secondary area
- Power Cut
- Spot Cut



4.3.1 Secondary area

To mow secondary areas the operating mode *Secondary area* must be selected. In this mode, the operator must move the product manually between the main area and the secondary area. The product mows for a selected period of time or until the battery is empty. When the battery is empty, the product stops and the message *Needs manual charging* shows in the product display. Put the product in the charging station to charge the battery. When the battery is charged, the product moves out of the charging station and stops. The product is now prepared to start operation, but needs confirmation from the operator first. In the *Secondary area* mode, the product operates for a selected period of time or until the battery is empty.

Note: If you want to cut the main area after the battery is charged, set the product to *Main area* mode before you put the product in the charging station.

4.3.2 Power Cut

The schedule settings can be temporarily overridden by selecting *Power Cut*. It is possible to override the schedule for 3 h. It is not possible to override a standby period.

4.3.3 Spot Cut

Spot cut is useful for quickly mowing an area where the grass has been mown less than in other parts of the garden. You must manually move the product to the chosen area.

Spot cut means that the product mows in a spiral pattern in order to cut the grass in the area where it was started.

4.4 Park modes

When the **HOME** button is pushed, the following parking modes are available.

4.4.1 Home & Stay

Park mode *Home & Stay* means that the product goes to the charging station where it remains until a different operating mode is selected.

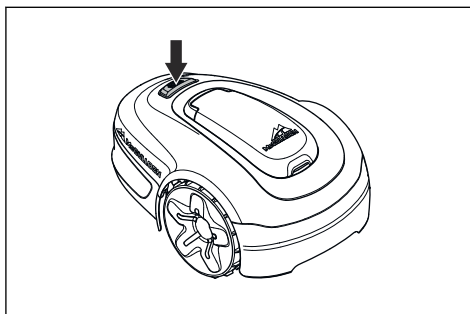
4.4.2 Home & Wait

Park mode *Home & Wait* means that the product goes to the charging station where it remains until the next schedule or standby permits operation. Refer to *Schedule and Standby on page 32*.

4.5 To stop the product

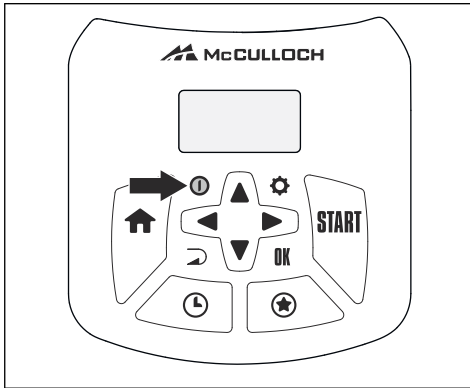
1. Push the **STOP** button on top of the product.

The product stops and the blade motor stops.



4.6 Switch off

1. Press the **STOP** button.
2. Open the hatch.
3. Press the **ON/OFF** button for 3 seconds.



4. The product shuts down.
5. Check that the indicator lamp on the keypad is not lit.

4.7 Schedule and Standby

The product has an inbuilt standby period according to the Standby time table below. The standby period provides for instance a good opportunity to water or play games on the lawn.

| Model | Standby time, minimum hours per day |
|---|-------------------------------------|
| 600 m ² / 6500 ft ² | 10 |
| 500 m ² / 5500 ft ² | 12 |
| 400 m ² / 4300 ft ² | 14 |

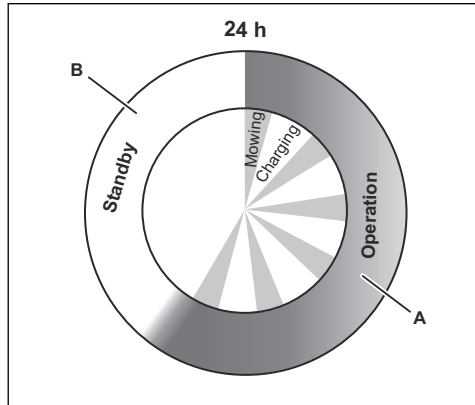
4.7.1 Example 1

This example is applicable to products with a specified work area of 500 m², but the principle is the same for the other models.

Schedule setting, Period 1: 08:00 - 22:00

Active period (A): 08:00 - 20:00

The schedule settings ensure that the product begins cutting the lawn at 08:00. At 20:00 the product has reached the maximum available operating hours and is therefore parked in standby mode. The product starts cutting the grass again next day at 08:00.



Example: A specified work area of 500 m²

| | |
|----------------------------------|----|
| Operation, A = max. hours | 12 |
| Charging/Standby, B = min. hours | 12 |

4.7.2 Example 2

This example is applicable to products with a specified work area of 500 m², but the principle is the same for the other models.

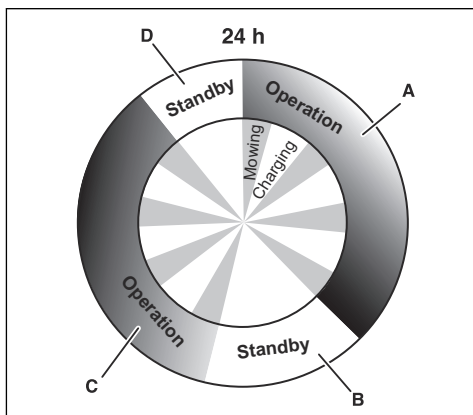
Schedule setting Period 1 (A): 08:00 - 17:00.

Schedule setting Period 2 (C): 20:00 - 24:00.

Active period (A): 08:00 - 17:00

Active period (C): 20:00 - 23:00.

The product operates between 08:00 and 17:00. It starts again at 20:00 but at 23:00 the product has reached the maximum available operating hours and is therefore parked in standby mode. The product starts cutting the grass again next day at 08:00.



Example: A specified work area of 500 m²

| | |
|--------------------------------------|----|
| Operation, A + C = max. hours | 12 |
| Charging/Standby, B + D = min. hours | 12 |

4.8 To charge the battery



WARNING: Only charge the product using a charging station which is intended for it. Incorrect use may result in electric shock, overheating or leakage of corrosive liquid from the battery.

In the event of leakage of electrolyte flush with water and seek medical help if it comes in contact with the eyes etc.

When the product is new or has been stored for a long period, the battery can be empty and needs to be charged before starting. In the *Main area* mode, the product automatically alternates between mowing and charging.

1. Push the **ON/OFF** for 3 seconds button to start the product.
2. Place the product in the charging station. Slide the product in as far as possible to ensure proper contact between the product and the charging station. Refer to contact and charging plates in *Product overview on page 4*
3. The display shows a message that charging is in progress.

4.9 Adjust the cutting height

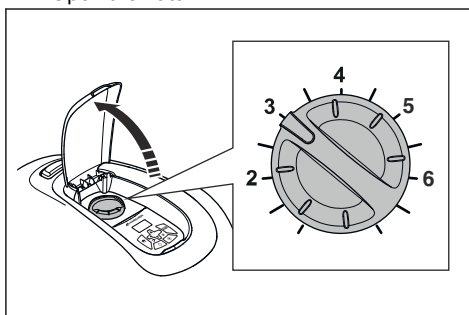
The cutting height can be varied from MIN (2 cm / 0.8 in.) to MAX (5 cm / 2 in.).



CAUTION: During the first weeks after a new installation, the cutting height must be set to MAX to avoid damaging the loop wire. After this, the cutting height can be lowered step by step every week until the desired cutting height has been reached.

4.9.1 To adjust the cutting height

1. Push the **STOP** button to stop the product.
2. Open the hatch.



3. Turn the knob to the required position.
 - Turn clockwise to increase the cutting height.
 - Turn counter-clockwise to decrease the cutting height.
4. Close the hatch.

5 Maintenance

5.1 Introduction - maintenance



WARNING: The product must be switched off before any maintenance is done. The product is disabled when the LED status indicator is not lit.



WARNING: Wear protective gloves.

For better operation and longer service life, make sure to clean the product regularly and replace worn parts. All maintenance and servicing must be done according to McCulloch's instructions. Refer to *Warranty on page 53*.

When the product is first used, the blade disc and blades should be inspected once a week. If the amount of wear during this period has been low, the inspection interval can be increased.

It is important that the blade disc rotates easily. The edges of the blades should not be damaged. The lifetime of the blades varies immensely and depends for instance on:

- Operating time and size of the work area.
- Type of grass and seasonal growth.
- Soil, sand and use of fertilizers.
- The presence of objects such as cones, windfalls, toys, tools, stones, roots and the like.

The normal life is 4 to 7 weeks when used under favorable conditions. Refer to *To replace the blades on page 35* on how to replace the blades.

Note: Working with blunt blades gives a poorer mowing result. The grass is not cut cleanly and more energy is needed resulting in the product not mowing such a large area.

5.2 Clean the product



CAUTION: Do not use a high-pressure washer to clean the product. Do not use solvents for cleaning.

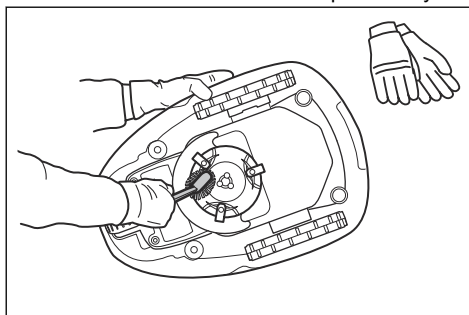
The product does not operate satisfactorily in slopes if the wheels are blocked with grass. Use a soft brush to clean the product.

McCulloch recommends to use a special cleaning and maintenance kit as an accessory. Speak to your McCulloch central service.

5.2.1 Chassis and blade disc

Inspect the blade disc and blades once a week.

1. Push the **STOP** button.
2. Push the **ON/OFF** button for 3 seconds to switch off the product.
3. Check that the indicator lamp on the keypad is not lit.
4. If the product is dirty, clean it by using a brush or a water hose. Do not use a high-pressure washer.
5. Lift the product onto its side.
6. Clean the blade disc and chassis using for example a dish brush. At the same time, check that the blade disc rotates freely in relation to the foot guard. Also, check that the blades are intact and can pivot freely.



5.2.2 Wheels

Clean around the wheels. Grass on the wheels can impact on how the product performs in slopes.

5.2.3 The body of the product

Use a moist, soft sponge or cloth to clean the body of the product. If the body of the product is dirty, use a mild soap solution to clean it.

5.2.4 Charging station



WARNING: Use the plug to disconnect the charging station before any maintenance, or cleaning of charging station or power supply.

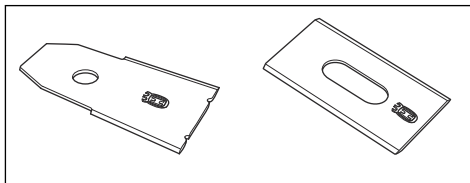
Clean the charging station regularly from grass, leaves, twigs and other objects that may impede docking.

5.3 Replace the blades



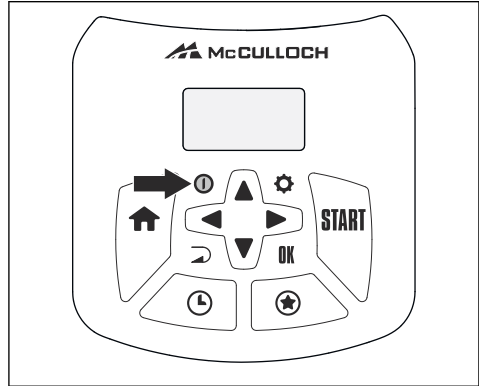
WARNING: Use blades and screws of the right type. McCulloch can only guarantee safety when using original blades. Only replacing the blades and reusing the screw can result in a screw wearing during mowing. The blades can then be propelled from under the body and cause serious injury.

Replace worn or damaged parts for safety reasons. Even if the blades are intact, they should be replaced on a regular basis for the best mowing result and low energy usage. All 3 blades and screws must be replaced at the same time to obtain a balanced cutting system. Use McCulloch original blades embossed with the crowned H-mark logotype, refer to *Warranty terms on page 53*.

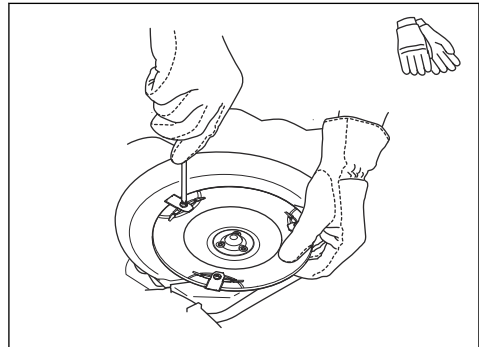


5.3.1 To replace the blades

1. Press the **STOP** button.
2. Open the hatch.
3. Press the **ON/OFF** button for 3 seconds to turn off the product.



4. Check that the indicator lamp on the keypad is not lit.
5. Turn the product upside down. Place the product on a soft and clean surface to avoid scratching the body and the hatch.
6. Remove the 3 screws. Use a straight slot or cross-tip screwdriver.



7. Remove each blade and screw.
8. Fasten new blades and screws.
9. Check that the blades can pivot freely.

5.4 Battery



WARNING: Only charge the product using a charging station which is intended for it. Incorrect use may result in electric shock, overheating or leakage of corrosive liquid from the battery. In the event of leakage of electrolyte flush with water and seek medical help if it comes in contact with the eyes etc.



WARNING: Use only original batteries recommended by the manufacturer. Product safety cannot be guaranteed with other batteries. Do not use non-rechargeable batteries.



CAUTION: The battery must charge a complete cycle before winter storage. If the battery is not fully charged it can be damaged and in certain cases be rendered useless.

If the operating time for the product is shorter than normal between charges, this indicates that the battery is getting old and eventually needs replacing.

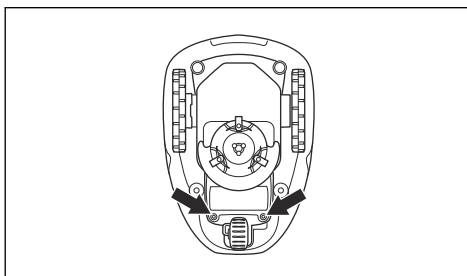
Note: Battery life is dependent on the length of the season and how many hours a day the product is operating. A long season or many hours of use a day means that the battery must be replaced more regularly. The battery is fine as long as the product maintains a well-cut lawn.

5.4.1 To replace the battery

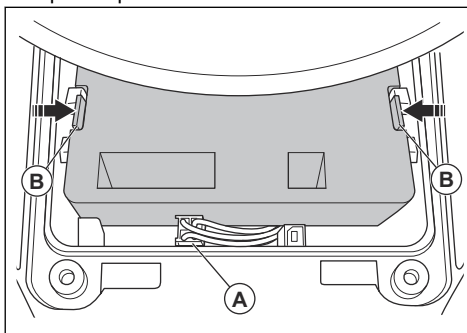


WARNING: The product must be disconnected from the supply mains when removing the battery.

1. Push the **ON/OFF** button for 3 seconds to switch off the product. Check that the indicator lamp on the keypad is not lit.
2. Set the cutting height to MIN.
3. Turn the product upside down. Place the product on a soft and clean surface to avoid scratching the body and the display cover.
4. Clean around the battery cover.
5. Unscrew the screws to the battery cover (Torx 20) and remove the battery cover.



6. Release the latch of the connector (A) and pull it upwards.



CAUTION: Do not pull the cables.

7. Release the latch of the battery and lift up the battery (B).
8. Put the new battery into place in the product.

Note: Fit the battery cover without clamping the cables. If the seal on the battery cover is visibly damaged, the entire battery cover must be replaced.

9. Connect the cable.
10. Carefully tighten screws for the battery cover (Torx 20).

5.5 Winter service

Take your product to your McCulloch central service for service prior to winter storage. Regular winter service will maintain the product in good condition and create the best conditions for a new season without any disruptions.

Service usually includes the following:

- Thorough cleaning of the body, the chassis, the blade disc and all other moving parts.

- Testing of the product's function and components.
- Checking and, if required, replacing wear items such as blades and bearings.
- Testing the product's battery capacity as well as a recommendation to replace battery if necessary.
- If new firmware is available, the product is updated.

6 Troubleshooting

6.1 Introduction - troubleshooting

In this chapter, faults and symptoms are described and can guide you if the product does not operate as expected. More suggestions for steps to take in the event of malfunction or symptoms can be found on www.mcculloch.com.

6.2 Fault messages

The fault messages in the table below are shown in the display of the product. Speak to your McCulloch representative if the same message shows frequently.

| Message | Cause | Action |
|--|---|--|
| <i>Wheel motor blocked, left/right</i> | Grass or other object has wrapped around the drive wheel. | Check the drive wheel and remove the grass or other object. |
| <i>Cutting system blocked</i> | Grass or other object has wrapped around the blade disc. | Check the blade disc and remove the grass or other object. |
| | The blade disc lies in a pool of water. | Move the product and prevent the collection of water in the work area. |
| | The grass is too high. | Cut the grass before you install the product. Make sure that the grass is maximum 4 cm / 1.6 in. |
| <i>Trapped</i> | The product is stuck in a small area behind a number of obstacles. | Check if there are any obstacles which make it hard for the product to move on from this location. Remove the obstacles or put the boundary wire around the obstacle to make an island. Refer to <i>To make an island on page 18</i> . |
| <i>Outside working area</i> | The boundary wire connections to the charging station are crossed. | Check that the boundary wire is connected correctly. |
| | The boundary wire is too close to the edge of the work area. | Check that the boundary wire has been laid according to the instructions. Refer to <i>To install the boundary wire on page 21</i> . |
| | The work area slopes too much by the boundary loop. | |
| | The boundary wire is laid in the wrong direction around an island. | |
| | Disturbances from metal objects (fences, reinforcement steel) or buried cables close by. | Try moving the boundary wire. |
| | The product finds it hard to distinguish the signal from another product installation close by. | Put the product in the charging station and generate a new loop signal. |

| Message | Cause | Action |
|---|--|---|
| <i>Empty battery</i> | The product cannot find the charging station. | Change the position of the guide wire. Refer to <i>To install the guide wire on page 21</i> . |
| | The battery is spent. | Replace the battery. Refer to <i>Battery on page 35</i> . |
| | The charging station's antenna is defective. | Check if the indicator lamp in the charging station flashes red. Refer to <i>Indicator lamp in the charging station on page 44</i> . |
| | The charging plates on the product or contact plates on the charging station are corroded. | Clean the charging and contact plates using a fine grade emery cloth. If the problem stays speak to your authorized service technician. |
| <i>Wrong PIN code</i> | Wrong PIN code has been entered. Five attempts are permitted, and the keypad is then blocked for a period of time. | Enter the correct PIN code. Contact McCulloch customer service if you forget the PIN code. |
| <i>No drive</i> | The product has got caught in something and has been slipping. | Free the product and rectify the reason for the lack of drive. If it is due to wet grass, wait until the lawn has dried before using the product. |
| | The work area includes a steep slope. | Steep slopes should be isolated. Refer to <i>To examine where to put the boundary wire on page 16</i> . |
| | The guide wire is not laid diagonally in the slope. | Make sure that the guide wire is installed diagonally across the slope. Refer to <i>To examine where to put the guide wire on page 19</i> . |
| <i>Wheel motor overloaded, left/right</i> | Grass or other object is wrapped around the drive wheel. | Check the drive wheel and remove grass or object. |
| <i>Collision sensor problem, front/rear</i> | The product body can not move freely around its chassis. | Check that the product body can move freely around its chassis. If the problem stays speak to your authorized service technician. |
| <i>Alarm! Mower switched off</i> | The alarm is activated because the product had been switched off. | Adjust the security level in the <i>Security</i> menu. Refer to <i>Security level on page 26</i> . |
| <i>Alarm! Mower stopped</i> | The alarm is activated because the product has been stopped. | |
| <i>Alarm! Mower lifted</i> | The alarm is activated because the product has been lifted. | |
| <i>Alarm! Mower tilted</i> | The alarm is activated because the product has been tilted. | |

| Message | Cause | Action |
|--|--|--|
| <i>Charging station blocked</i> | The contact between the charging plates on the product and the contact plates on the charging station may be poor and the product has made a number of attempts to charge. | Put the product in the charging station and check that the charging plates and contact plates make good contact. |
| | An object is in the way of the product that prevents it from entering the charging station. | Remove the object. |
| | The charging station is tilted or bent. | Put the baseplate on level ground. |
| | The guide wire is not installed correctly. | Check if the guide wire is installed according to the instructions. Refer to <i>To install the guide wire on page 21</i> . |
| <i>Stuck in charging station</i> | There is an object in the way of the product preventing it from leaving the charging station. | Remove the object. |
| <i>Upside down</i> | The product is leaning too much or has turned over. | Turn the product the right way up. |
| <i>Needs manual charging</i> | The product is set to the <i>Secondary area</i> operating mode. | Put the product in the charging station. |
| <i>Next start hh:mm</i> | The schedule setting prevents the product from operating. | Change the schedule settings. Refer to <i>To do the schedule settings on page 23</i> . |
| | The rest period is in progress. The product has an inbuilt standby period according to the Standby time table. | This behavior is normal and no action is required. |
| | The clock or date in the product is not correct. | Set the time. Refer to <i>To set the time & date on page 29</i> . |
| <i>Today's mowing completed</i> | The product has an inbuilt standby period according to the Standby time table. | This behavior is normal and no action is required. Refer to <i>Schedule and Standby on page 32</i> . |
| <i>Lifted</i> | The lift sensor has been activated as the product has been lifted. | Check that the product body can move freely around its chassis. Remove or create an island around objects that can cause the chassis to be lifted. If the problem stays speak to your authorized service technician. |
| <i>Wheel drive problem, right/left</i> | Grass or other object is wrapped around the drive wheel. | Clean the wheels and around the wheels. |

| Message | Cause | Action |
|---|---|--|
| <i>Electronic problem</i> | Temporary electronic or firmware related issue in the product. | Restart the product. If the problem stays speak to your authorized service technician. |
| <i>Loop sensor problem, front/rear</i> | | |
| <i>Tilt sensor problem</i> | | |
| <i>Temporary problem</i> | | |
| <i>Invalid sub-device combination</i> | | |
| <i>Temporary battery problem</i> | | |
| <i>Safety function faulty</i> | | |
| <i>Charging system problem</i> | Incorrect type of battery. | Use original batteries recommended by the manufacturer. |
| <i>Battery problem</i> | Temporary battery or firmware related issue in the product. | Restart the product. If the problem stays speak to your authorized service technician. |
| | Incorrect type of battery. | Use original batteries recommended by the manufacturer. |
| <i>Battery temperature outside limits</i> | The temperature in the battery is too high or too low to start operation. | No action. The product will start to operate when the temperature is in limits. |
| <i>Charging current too high</i> | Wrong or faulty power supply unit. | Restart the product. If the problem stays speak to your authorized service technician. |
| <i>Connectivity problem</i> | Potential problem on the connectivity circuit board in the product. | Restart the product. If the problem stays speak to your authorized service technician. |
| <i>Connectivity settings restored</i> | The connectivity settings was restored due to a fault. | Check and change the settings if needed. |
| <i>Poor signal quality</i> | The connectivity circuit board in the product is assembled upside down, or the product itself is tilted or upside down. | Make sure that the product is not upside down or tilted. If the problem stays speak to your authorized service technician. |

| Message | Cause | Action |
|--|--|--|
| <i>No loop signal</i> | The power supply or low-voltage cable is not connected. | If the LED status indicator on the charging station is not lit, it shows that there is no power. Examine the power outlet connection and the residual-current device. Make sure that the low-voltage cable is connected to the charging station. |
| | The power supply or low-voltage cable is damaged or not connected. | Replace the power supply or low-voltage cable. |
| | The boundary wire is not connected to the charging station. | Check that the boundary wire connectors are fitted properly to the charging station. Replace connectors if damaged. Refer to <i>To install the boundary wire on page 21</i> . |
| | The boundary wire is broken. | Do a check of the LED status indicator on the charging station. If it shows break in the boundary wire, replace the damaged section with a new loop wire and splice using an original coupler. |
| | <i>ECO mode</i> is activated and the product has attempted to start outside the charging station. | Put the product in the charging station, start the product and close the hatch. |
| | The boundary wire is crossed on its way to and from an island. | Check that the boundary wire is laid according to instructions, e.g. in the right direction around the island. Refer to <i>To install the boundary wire on page 21</i> . |
| | The pairing between the product and the charging station is lost. | Put the product in the charging station and generate a new loop signal. Refer to <i>To create a new loop signal on page 26</i> . |
| | Disturbances from metal objects (fences, reinforcement steel) or buried cables close by. | Try to move the boundary wire and/or make islands in the work area to increase the signal strength. |
| The product is too far from the boundary wire. | Redo the installation of the boundary wire so that all parts of the work area is maximum 15 m / 50 ft. from the boundary wire. | |
| <i>Mower tilted</i> | The product is tilted more than the maximum angle. | Move the product to a flat area. |
| <i>Connection NOT changed</i> | Failed to change loop signal. | Try to create a <i>New loop signal</i> several times. Refer to <i>To create a new loop signal on page 26</i> . If the problem stays speak to your authorized service technician. |

6.3 Information messages

The information messages in the table below are shown in the display of the product. Speak to your McCulloch representative if the same message shows frequently.

| Message | Cause | Action |
|---------------------------------|--|--|
| <i>Low battery</i> | The product cannot find the charging station. | Change the position of the guide wire. Refer to <i>To install the guide wire on page 21</i> . |
| | The battery is spent. | Replace the battery. Refer to <i>Battery on page 35</i> . |
| | The charging station's antenna is defective. | Check if the indicator lamp in the charging station flashes red. Refer to <i>Indicator lamp in the charging station on page 44</i> . |
| | The charging plates on the product or contact plates on the charging station are corroded. | Clean the charging and contact plates using a fine grade emery cloth. If the problem stays speak to your approved servicing dealer. |
| <i>Settings restored</i> | Confirmation that <i>Reset all user settings</i> has been carried out. | No action. |
| <i>Guide not found</i> | The guide wire is not connected to the charging station. | Check that the guide wire connector is tightly connected to the charging station. Refer to <i>To install the guide wire on page 21</i> . |
| | Break in the guide wire. | Find out where the break is and rectify it. |
| | The guide wire is not connected to the boundary loop. | Check that the guide wire is connected correctly to the boundary loop. Refer to <i>To install the guide wire on page 21</i> . |
| <i>Guide calibration failed</i> | The product has failed to calibrate the guide wire. | Check that the guide wire is installed according to the instructions. Refer to <i>To install the guide wire on page 21</i> . |
| <i>Guide calibration done</i> | The product has succeeded to calibrate the guide wire. | No action. |
| <i>Connection changed</i> | New loop signal successfully changed. | No action. |

6.4 Indicator lamp in the charging station

The indicator lamp in the charging station must show a solid or flashing green light for a correct installation. If not, follow the instructions in the troubleshooting guide below.

You can also find information on www.mcculloch.com. Speak to your McCulloch customer service for more information.

| Light | Cause | Action |
|------------------------------|--|--|
| <i>Green solid light</i> | Good signals | No action required |
| <i>Green flashing light</i> | The signals are good and <i>ECO mode</i> is activated. | No action required. For more information on <i>ECO mode</i> . Refer to <i>ECO mode on page 28</i> . |
| <i>Blue flashing light</i> | The boundary loop is not connected to the charging station. | Check that the boundary wire connectors are fitted properly to the charging station. Refer to <i>To install the boundary wire on page 21</i> . |
| | Break in the boundary loop. | Find out where the break is. Replace the damaged section of the loop with a new loop wire and splice using an original coupler. |
| <i>Yellow flashing light</i> | The guide wire is not connected to the charging station. | Check that the guide wire connector is properly connected to the charging station. Refer to <i>To install the guide wire on page 21</i> |
| | Break in the guide wire. | Find out where the break is. Replace the damaged section of the guide wire with a new loop wire and splice using an original coupler. |
| <i>Red flashing light</i> | Interruption in the charging station's antenna. | Contact McCulloch customer service. |
| <i>Red solid light</i> | Fault in the circuit board or incorrect power supply in the charging station. The fault should be rectified by an authorized service technician. | Contact McCulloch customer service. |

6.5 Symptoms

If your product does not work as expected, follow the symptoms guide below.

There is a FAQ (Frequently Asked Questions) on www.mcculloch.com which provides more detailed answers to a number of standard questions. Contact McCulloch customer service if you still cannot find the reason for the fault.

| Symptoms | Cause | Action |
|--|--|--|
| The product has difficulty docking. | The guide wire is not laid in a long straight line that is far enough out from the charging station. | Check that the charging station has been installed according to the instructions in <i>To install the charging station on page 20</i> |
| | The guide wire is not inserted in the slot under the charging station. | It is absolutely critical for operation that the guide wire is perfectly straight and is in the correct position under the charging station. Therefore make sure that the guide wire is always in its slot in the charging station. Refer to <i>To install the guide wire on page 21</i> . |
| | The charging station is not on a level surface. | Place the charging station on a surface that is entirely level. Refer to <i>To examine where to put the charging station on page 14</i> . |
| The product runs at the wrong time | The clock or the date in the product is not correct. | Set the clock or date. Refer to <i>To set the time & date on page 29</i> . |
| | The start and stop times for mowing are incorrect. | Change the schedule settings. Refer to <i>To reset the schedule setting on page 25</i> . |
| The product vibrates. | Damaged blades lead to imbalance in the cutting system. | Inspect the blades and screws and replace them if necessary. Refer to <i>To replace the blades on page 35</i> . |
| | Too many blades in the same position lead to imbalance in the cutting system. | Check that only one blade is fitted at each screw. |
| | Different versions (thickness) of blades are used. | Check if the blades are of different versions. |
| The product runs, but the blade disc does not rotate. | The product searches for the charging station, or is driving to the starting point. | No action. The blade disc does not rotate when the product is searching for the charging station. |
| The product mows for shorter periods than usual between charges. | Grass or other foreign object blocks the blade disc. | Remove and clean the blade disc. Refer to <i>Clean the product on page 34</i> . |
| | The battery is spent. | Replace the battery. Refer to <i>Battery on page 35</i> . |
| | Dull blades. More energy is needed when cutting the grass. | Replace the blades. Refer to <i>Replace the blades on page 35</i> . |

| Symptoms | Cause | Action |
|--|--|--|
| Both the mowing and charging times are shorter than usual. | The battery is spent. | Replace the battery. Refer to <i>Battery on page 35</i> . |
| The product is parked for hours in the charging station. | The product has an inbuilt standby period according to the Standby time table. Refer to <i>Schedule and Standby on page 32</i> . | No action. |
| | The STOP button has been activated. | Open the hatch, enter the PIN code and confirm with the OK button. Push the Start button and then close the hatch. |
| | Parking mode is activated. | Change the operating mode. Refer to <i>Operating modes on page 30</i> . |
| | The product is not allowed to operate if the battery temperature is too high or too low. | Check that the charging station is placed in an area with protection from the sun. |
| Uneven mowing results. | The product works too few hours per day. | Increase the mowing time. Refer to <i>To calculate the suitable operating hours on page 25</i> . |
| | The shape of the work area requires the use of <i>Area 1-3</i> for the product to find its way to all remote areas. | Steer the product to a remote area. Refer to <i>To set the Lawn Coverage function on page 27</i> . |
| | The <i>How often?</i> setting is incorrect in relation to the layout of the work area. | Check that the correct <i>How often?</i> value is selected. |
| | The work area is too large. | Try limiting the work area or extending the schedule. Refer to <i>To set the schedule on page 24</i> . |
| | Dull blades. | Replace all the blades. Refer to <i>To replace the blades on page 35</i> . |
| | Long grass in relation to the set cutting height. | Increase the cutting height and then successively lower it. |
| | Accumulation of grass by the blade disc or around the motor shaft. | Check that the blade disc rotates freely and easily. If not, screw off the blade disc and remove grass and foreign objects. Refer to <i>Clean the product on page 34</i> . |

6.6 Find breaks in the loop wire

Breaks in the loop wire are usually the result of unintentional physical damage to the wire such as when gardening with a shovel. In countries with ground frost, also sharp stones that move in the ground can damage the wire. Breaks can

also occur due to the wire being stretched excessively during installation.

Mowing the grass too low right after the installation can damage wire insulation. Damage to the insulation may not cause disruptions until several weeks or months later. To avoid this,

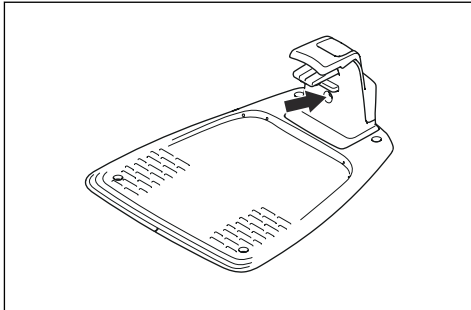
always select the maximum cutting height the first weeks after installation and then lower the height one step at a time every second week until the desired cutting height has been reached.

A defective splicing of the loop wire can also lead to disruptions several weeks after the splice was done. A faulty splice can, for example, be the result of the coupler not being pressed together hard enough with a pair of pliers, or that a coupler of lower quality than the original coupler has been used. Please first check all known splices before further troubleshooting is done.

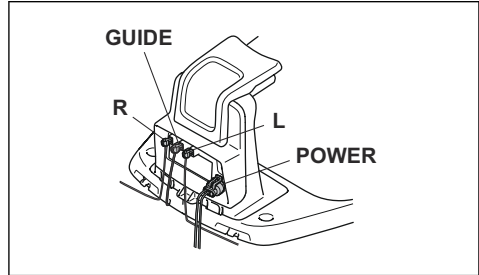
A wire break can be located by gradually halving the distance of the loop where the break may have occurred until there is only a very short section of the wire left.

The following method does not work if *ECO mode* is activated. Make sure first that *ECO mode* is switched off. Refer to *ECO mode* on page 28.

1. Check that the indicator lamp in the charging station flashes blue, which indicates a break in the boundary loop. Refer to *Indicator lamp in the charging station* on page 44.



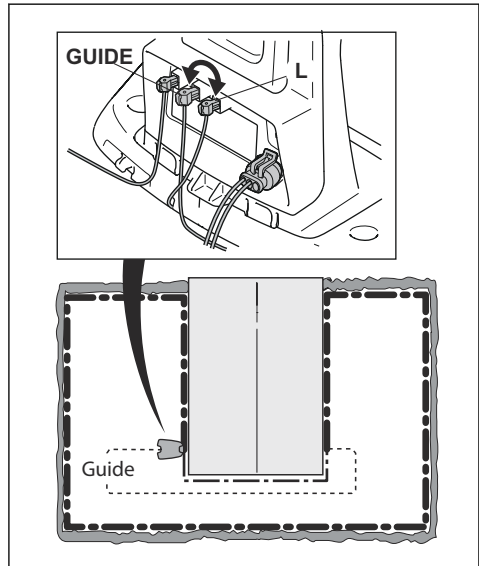
2. Check that the boundary wire connections to the charging station are properly connected and not damaged. Check that the indicator lamp in the charging station is still flashing blue.



3. Switch the connections between the guide wire and the boundary wire in the charging station.

Start by switching connection L and GUIDE.

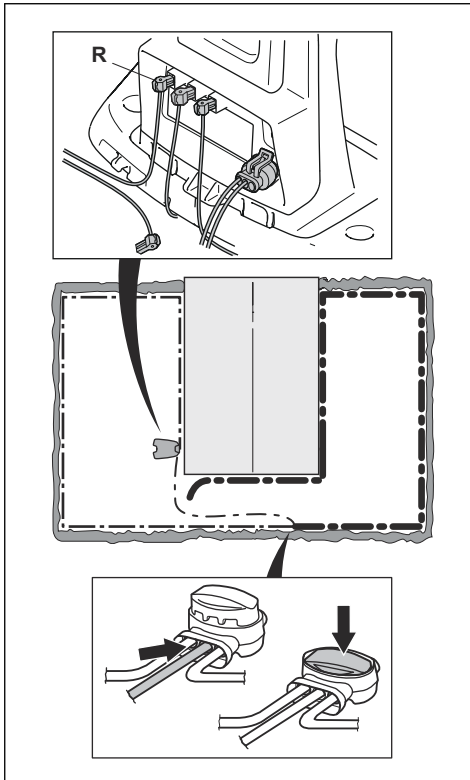
If the indicator lamp is flashing yellow, then the break is somewhere on the boundary wire between L and the point where the guide wire is connected to the boundary wire (thick black line in the illustration).



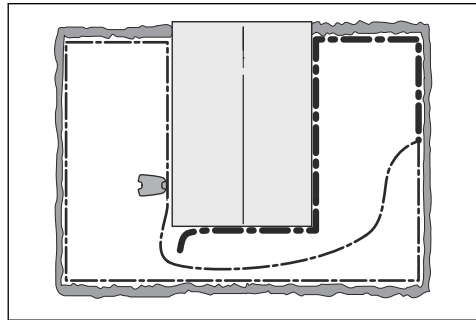
To rectify the fault you will need boundary wire, connector(s) and coupler(s):

- a) If the suspected boundary wire is short then it is easiest to exchange all of the boundary wire between L and the point where the guide wire is connected to the boundary wire (thick black line).

b) If the suspected boundary wire is long (thick black line) then do as follows: Put L and GUIDE back to their original positions. Then disconnect R. Connect a new loop wire to R. Connect the other end of this new loop wire at the middle of the suspected wire section.

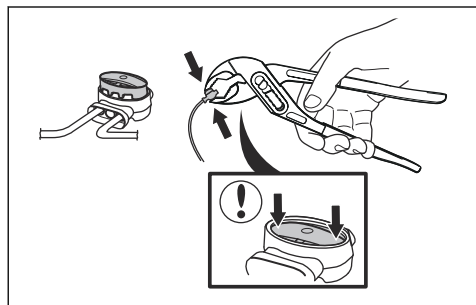


If the indicator lamp now is flashing yellow, then the break is somewhere in the wire between the disconnected end to the point where the new wire is connected (thick black line below). In that case, move the connection for the new wire closer to the disconnected end (roughly at the middle of the suspected wire section) and check again if the indicator lamp is green.



Continue until only a very short section of the wire remains which is the difference between a solid green light and a flashing blue light. Then follow instruction in step 5 below.

4. If indicator lamp still flashes blue in step 3 above: Put L and GUIDE back in their original positions. Then switch R and GUIDE. If indicator lamp now is lit with a solid green light then disconnect L and connect a new boundary wire to L. Connect the other end of this new wire at the middle of the suspected wire section. Follow the same approach as in 3a) and 3b) above.
5. When the break is found, the damaged section must be replaced with a new wire. Always use original couplers.



7 Transportation, storage and disposal

7.1 Transportation

The supplied Li-ion batteries obey the Dangerous Goods Legislation requirements.

- Obey all applicable national regulations.
- Obey the special requirement on package and labels for commercial transportations, including by third parties and forwarding agents.

7.2 Storage

- Fully charge the product. Refer to *To charge the battery on page 33*.
- Disconnect the product with the **ON/OFF** button. Refer to *The ON/OFF button on page 30*.
- Clean the product. Refer to *Clean the product on page 34*.
- Keep the product in a dry, frost free space.
- Keep the product with all wheels on level ground during storage, or use a McCulloch wall hanger.
- If you keep the charging station indoors, disconnect and remove the power supply and all the connectors from the charging station. Put the end of each connector wire in a container with grease.

Note: If you keep the charging station outdoors, do not disconnect the power supply and the connectors.

7.3 Disposal

- Obey the local recycling requirements and applicable regulations.
- For questions about how to remove the battery, refer to *To replace the battery on page 36*.

8 Technical data

8.1 Technical data

| Data | ROB S400, ROB S500, ROB S600 |
|--|--|
| Dimensions | |
| Length, cm / in. | 55 / 21.7 |
| Width, cm / in. | 38 / 15.0 |
| Height, cm / in. | 23 / 9.1 |
| Weight, kg / lb. | 7.3 / 16.0 |
| Electrical system | |
| Battery, Lithium-Ion 18 V/2.1 Ah Art.No | 584 85 28-01, 584 85 28-02, 593 11 40-01, 593 11 40-02 |
| Battery, Lithium-Ion 18 V/2.0 Ah Art.No | 590 21 42-02 |
| Battery, Lithium-Ion 18.25 V/2.0 Ah Art.No | 590 21 42-03 |
| Power supply (28V DC), V AC | 100-240 |
| Low voltage cable length, m / ft. | 5 / 16.4 |
| Type of power supply unit | FW7312, ADP-40BR, ADP 28AR |
| Mean energy consumption at maximum use | 5 kWh/month in a 500 m ² work area |
| Charge current, A DC | 1.3 |
| Average mowing time, min | 65 |
| Average charging time, min | 60 |
| Boundary wire antenna | |
| Operating Frequency Band, Hz | 300-80000 |
| Maximum Radio-frequency power ² , mW @60m | <25 |

² Maximum active output power to antennas in the frequency band in which the radio equipment operates.

| | |
|---|-------------------------------------|
| Noise emissions measured in the environment as sound power³ | ROB S400, ROB S500, ROB S600 |
| Measured sound power noise level, dB (A) | 56 |
| Guaranteed sound power noise level, dB (A) | 57 |
| Sound pressure noise level at the operator's ear ⁴ , dB (A) | 45 |

The noise emission declarations conforms to EN 50636-2-107:2015

| | |
|--|-------------------------------------|
| Mowing | ROB S400, ROB S500, ROB S600 |
| Cutting system | 3 pivoted cutting blades |
| Blade motor speed, rpm | 2500 |
| Power consumption during cutting, W +/- 20 % | 20 |
| Cutting height, cm / in. | 2-5 / 0.8-2 |
| Cutting width, cm / in. | 16 / 24 |
| Narrowest possible passage, cm / in. | 60 / 24 |
| Maximum slope for cutting area, % | 35 |
| Maximum slope for boundary wire, % | 10 |
| Maximum length boundary wire, m / ft. | 300 / 980 |
| Maximum length guide loop ⁵ , m / ft. | 150 / 490 |

| | |
|--------------------------|-------------------------------------|
| IP-classification | ROB S400, ROB S500, ROB S600 |
| Product | IPX5 |
| Charging station | IPX5 |
| Power supply | IPX4 |

| | |
|--------------------------------|-------------------------------------|
| Bluetooth® | ROB S400, ROB S500, ROB S600 |
| Operating frequency band, MHz | 2400 - 2484 |
| Maximum transmitted power, dBm | 8 |

Husqvarna AB does not guarantee full compatibility between the product and other types of wireless systems such as remote controls, radio transmitters, hearing loops, underground electric animal fencing or similar.

³ Noise emissions in the environment measured as sound power (L_{WA}) in conformity with EC directive 2000/14/EC and New South Wales legislation (Protection of the Environment Operations Regulation 2017, Noise Control). The guaranteed sound power level includes variation in production as well as variation from the test code with 1-3 dB(A). Noise emission data can be found on the rating label and in the Technical data chapter.

⁴ Sound pressure noise uncertainties K_{pA} , 2-4 dB (A)

⁵ The guide loop is the loop that if formed by the guide wire and the part of the boundary wire from the junction with the guide wire to the right connection in the charging station.

The products are made in England or the Czech Republic. See information on the rating plate. Refer to *Introduction on page 3*.

8.2 Registered trademarks

The *Bluetooth®* word mark and logos are registered trademarks owned by and any use of such marks by McCulloch is under license.

9 Warranty

9.1 Warranty terms

McCulloch warranty covers this product's functionality for a period of 2 years from date of purchase. The warranty covers serious faults relating to materials or manufacturing faults. Within the warranty period, we will replace the product or repair it at no charge if the following terms are met:

- The product and the charging station may only be used in compliance with the instructions in this Operator's Manual. This manufacturer's warranty does not affect warranty entitlements against the dealer/retailer.
- End-users or non-authorized third parties must not attempt to repair the product.

Examples of faults which are not included in the warranty:

- Damage caused by water seepage from using a high-pressure washer, or from being submerged under water, for example when heavy rain forms pools of water.
- Damage caused by lightning.
- Damage caused by improper battery storage or battery handling.
- Damage caused by using a battery that is not a McCulloch original battery.
- Damage caused by not using McCulloch original spare parts and accessories, such as blades and installation material.
- Damage to the loop wire.
- Damage caused by non-authorized changing or tampering with the product or its power supply.

The blades and wheels are seen as disposable and are not covered by the warranty.

If an error occurs with your McCulloch product, please contact McCulloch customer service for further instructions. Please have the receipt and the product's serial number at hand when contacting McCulloch customer service.

10 EC Declaration of Conformity

10.1 EC Declaration of Conformity

Husqvarna AB, SE-561 82 Huskvarna, Sweden, tel: +46-36-146500, declares that the robotic lawn mowers **ROB S400**, **ROB S500** and **ROB S600** with serial numbers dating 2020 week 5 and onwards (the year and week is clearly stated on the rating plate, followed by the serial number), comply with the requirements of the COUNCIL'S DIRECTIVE:

Lars Roos

Global R&D Director, Electric category

(Authorized representative for Husqvarna AB and responsible for technical documentation.)

- Directive "relating to machinery" **2006/42/EC**.
 - Particular requirements for robotic battery powered electrical lawnmowers **EN 50636-2-107: 2015**
 - Electromagnetic fields **EN 62233: 2008**.
- Directive on "restriction of use of certain hazardous substances" **2011/65/EU**.
 - The following standard is applied: **EN 50581:2012**
- Directive "relating to noise emissions from outdoor equipment" **2000/14/EC**. Refer to *Technical data on page 50* for information regarding noise emissions and the cutting width.

The notified body 0404, RISE SMP Svensk Maskinprovning AB, Box 7035, SE-750 07 Uppsala, Sweden, has issued a report regarding the assessment of conformity according to annex VI to the Council's Directive of May 8, 2000 "relating to noise emissions into the environment" 2000/14/EC.

- Directive "relating to radio equipment" **2014/53/EU**. The following standards have been applied:
 - **ETSI EN 303 447** Draft V1.1.1
 - **ETSI EN 300 328** v2.2.0
- Electromagnetic compatibility:
 - **ETSI EN 301 489-1** v2.2.0
 - **ETSI EN 301 489-17** v3.1.1



Huskvarna 2019-12-02



Copyright © 2020 Husqvarna AB. All rights reserved.

McCulloch and other product and feature names are trademarks of the Husqvarna Group.
All measurements quoted are approximate.

www.mcculloch.com

Original instructions

1141857-26



2020-05-27